

USB to Serial Adapter

Model:
U209-000-R



Purchased product
may differ from image.

Este manual está disponible en español en la página de
Eaton: Tripplite.Eaton.com/support

Ce manuel est disponible en français sur le site Web de
Eaton : Tripplite.Eaton.com/support

Dieses Handbuch ist in deutscher Sprache auf der Eaton-
Website verfügbar: Tripplite.Eaton.com/support

Questo manuale è disponibile in italiano sul sito web di
Eaton: Tripplite.Eaton.com/support

EATON

Powering Business Worldwide

Package Contents

- U209-000-R USB to Serial Adapter
- Owner's Manual

Features

- Supports data transfer rates up to 250 Kbps
- External power not required
- Supports remote wake up and power management
- Premium double-shielded cable eliminates cross-talk and reduces EMI/RFI interference

System Requirements

- Computer with an available USB port
- Compatible with Windows®, Mac® and Linux operating systems
- Compatible with Android™ devices (tablets/phones) with USB Host Mode (OTG) support and Android OS version 3.2 and above (see the Android compatibility list file at Triplite.Eaton.com)
- Android-powered devices will require a USB Host Mode (OTG) cable such as the U052-06N to connect to the U209-000-R

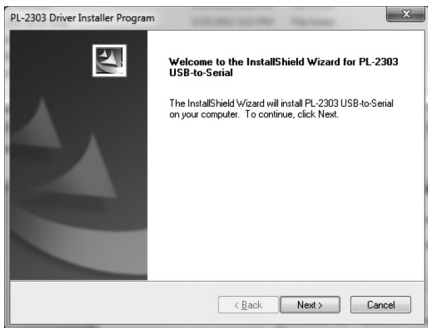
Installation

Note: *The following instructions show how to install the driver on a Windows 7 computer. The installation steps will be similar for other Windows operating systems. For non-Windows operating systems, reference the installation files at Triplite.Eaton.com. Compatible Android devices do not require a driver for use with the U209-000-R, but do require that a terminal server application be downloaded. The Prolific PL2303GS USB-UART app is recommended and can be found in the Google Play Store.*

1. Without connecting the U209-000-R, power on your computer. Drivers for the cable can be downloaded from Triplite.Eaton.com.

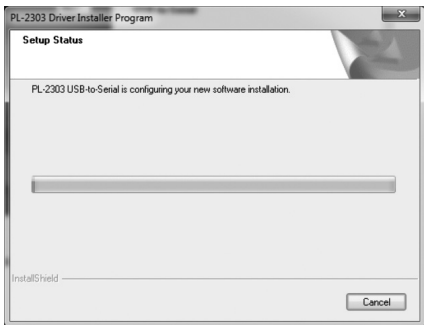
Installation

2. When the driver installer program launches, click the *Next* button to start installation.



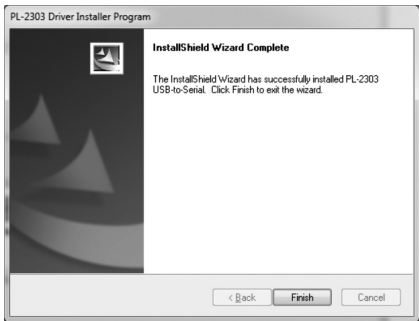
Installation

3. The driver installation begins. A progress bar tracks where you are in the installation process.



Installation

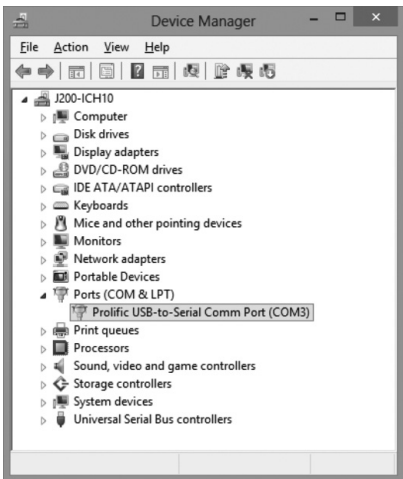
4. Once the installation process is complete, click the *Finish* button to close out of the program.



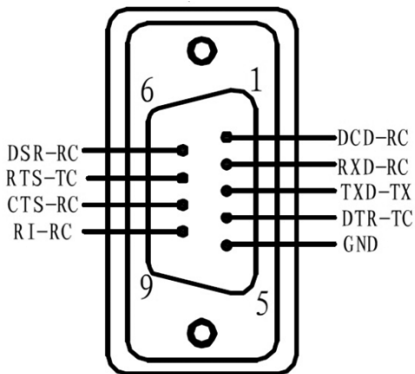
5. Connect the U209-000-R to an available USB port on your computer. Windows will detect the adapter and assign it a COM port upon completing the installation.

Installation

6. To verify that your adapter has been successfully installed, navigate to your computer's Control Panel and open the Device Manager screen. The adapter will appear in the Ports section, with its assigned COM port next to it.



Pinout



Warranty

3-Year Limited Warranty

We warrant our products to be free from defects in materials and workmanship for a period of three (3) years from the date of initial purchase. Our obligation under this warranty is limited to repairing or replacing (at its sole option) any such defective products. Visit TrippLite.com/support/product-returns before sending any equipment back for repair. This warranty does not apply to equipment which has been damaged by accident, negligence or misapplication or has been altered or modified in any way.

EXCEPT AS PROVIDED HEREIN, WE MAKE NO WARRANTIES, EXPRESS OR IMPLIED, INCLUDING WARRANTIES OF MERCHANTABILITY AND FITNESS FOR A PARTICULAR PURPOSE. Some states do not permit limitation or exclusion of implied warranties; therefore, the aforesaid limitation(s) or exclusion(s) may not apply to the purchaser.

EXCEPT AS PROVIDED ABOVE, IN NO EVENT WILL WE BE LIABLE FOR DIRECT, INDIRECT, SPECIAL, INCIDENTAL OR CONSEQUENTIAL DAMAGES ARISING OUT OF THE USE OF THIS PRODUCT, EVEN IF ADVISED OF THE POSSIBILITY OF SUCH DAMAGE. Specifically, we are not liable for any costs, such as lost profits or revenue, loss of equipment, loss of use of equipment, loss of software, loss of data, costs of substitutes, claims by third parties, or otherwise.

Use of this equipment in life support applications where failure of this equipment can reasonably be expected to cause the failure of the life support equipment or to significantly affect its safety or effectiveness is not recommended.

Regulatory Compliance

FCC Notice, Class B

This device complies with part 15 of the FCC Rules. Operation is subject to the following two conditions: (1) This device may not cause harmful interference, and (2) this device must accept any interference received, including interference that may cause undesired operation.

Note: This equipment has been tested and found to comply with the limits for a Class B digital device, pursuant to part 15 of the FCC Rules. These limits are designed to provide reasonable protection against harmful interference in a residential installation. This equipment generates, uses and can radiate radio frequency energy and, if not installed and used in accordance with the instructions, may cause harmful interference to radio communications. However, there is no guarantee that interference will not occur in a particular installation. If this equipment does cause harmful interference to radio or television reception, which can be determined by turning the equipment off and on, the user is encouraged to try to correct the interference by one or more of the following measures:

- Reorient or relocate the receiving antenna.
- Increase the separation between the equipment and receiver.
- Connect the equipment into an outlet on a circuit different from that to which the receiver is connected.
- Consult the dealer or an experienced radio/TV technician for help.

Any changes or modifications to this equipment not expressly approved by Eaton could void the user's authority to operate this equipment.

Regulatory Compliance

WEEE Compliance Information for Customers and Recyclers (European Union)



Under the Waste Electrical and Electronic Equipment (WEEE) Directive and implementing regulations, when customers buy new electrical and electronic equipment from Eaton, they are entitled to:

- Send old equipment for recycling on a one-for-one, like-for-like basis (this varies depending on the country)
- Send the new equipment back for recycling when this ultimately becomes waste

Eaton has a policy of continuous improvement. Specifications are subject to change without notice.



Eaton
1000 Eaton Boulevard
Cleveland, OH 44122
United States
Eaton.com

© 2023 Eaton
All Rights Reserved
Publication No.
23-08-090 /
933300_RevE
August 2023

Eaton is a registered trademark.

All trademarks are property of their respective owners.