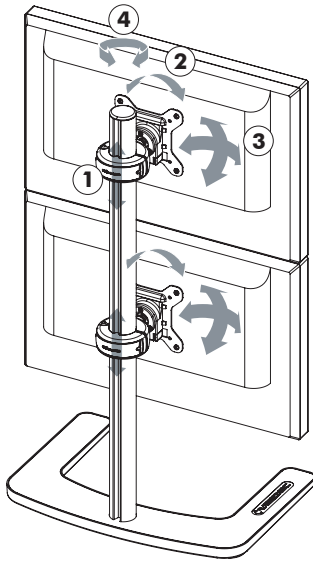


General Features



Display Compatibility:

Freestanding Double Vertical is compatible with Flat Panel Displays measuring up to 450mm (17.72") high, with either 75mm x 75mm or 100mm x 100mm VESA mounting hole patterns.

Display Weight Compatibility:

Each Quickshift Donut supports a maximum weight of 12kg (26.5lbs)

Cable Management:

Cable Slot, Cable Clips and Cable Balls (included in package)

Colour Options:

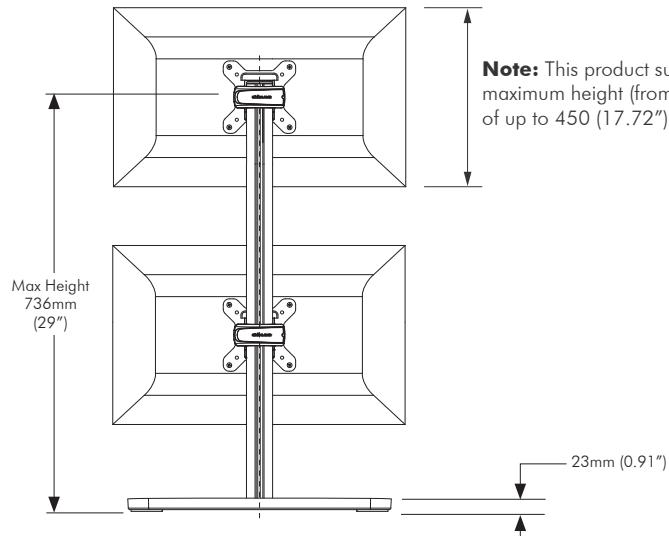
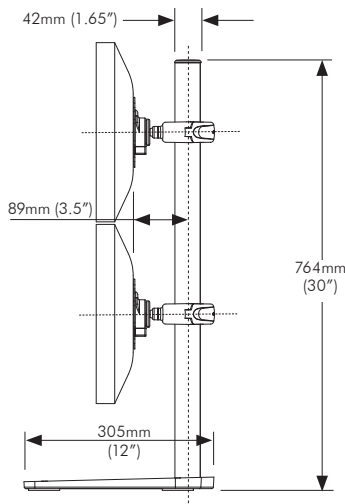
- Pole available in Matt Silver Anodised only.
- Quickshift Donut available in Black only.
- Base available in Black/Silver only.

Warranty:

10 years limited

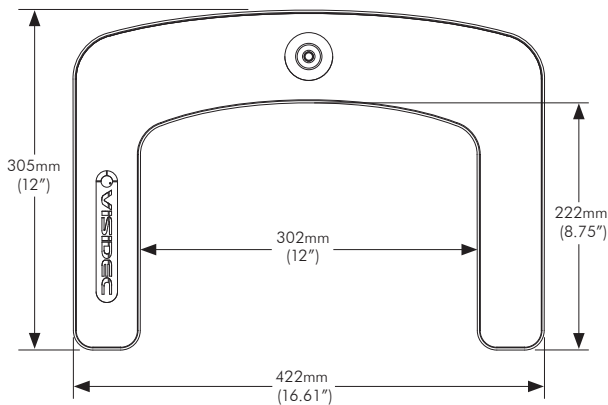
- | | |
|---|------------------------------------|
| 1 | Vertical height adjustment |
| 2 | 360° Portrait/Landscape adjustment |
| 3 | ±20° Pan/Tilt adjustment |
| 4 | 360° Rotation |

Overall Dimensions



Note: This product supports a maximum height (from edge to edge) of up to 450 (17.72") per display.

Base Dimensions



VESA Display Mounting Options

Choose the correct Mounting Screws supplied in the Hardware box and attach the display as shown.

