



HP Pavilion Sleekbook 15

Maintenance and Service Guide

© Copyright 2012 Hewlett-Packard
Development Company, L.P.

AMD is a trademark of Advanced Micro
Devices, Inc. Bluetooth is a trademark
owned by its proprietor and used by
Hewlett-Packard Company under license.
Intel, Intel Centrino, Intel Core, and Pentium
are trademarks of Intel Corporation in
the U.S. and other countries. Microsoft and
Windows are U.S. registered trademarks of
Microsoft Corporation. SD Logo is a
trademark of its proprietor.

The information contained herein is subject
to change without notice. The only
warranties for HP products and services are
set forth in the express warranty statements
accompanying such products and services.
Nothing herein should be construed as
constituting an additional warranty. HP shall
not be liable for technical or editorial errors
or omissions contained herein.

First Edition: October 2012

Document Part Number: 697166-001

Safety warning notice

⚠ WARNING! To reduce the possibility of heat-related injuries or of overheating the device, do not place the device directly on your lap or obstruct the device air vents. Use the device only on a hard, flat surface. Do not allow another hard surface, such as an adjoining optional printer, or a soft surface, such as pillows or rugs or clothing, to block airflow. Also, do not allow the AC adapter to contact the skin or a soft surface, such as pillows or rugs or clothing, during operation. The device and the AC adapter comply with the user-accessible surface temperature limits defined by the International Standard for Safety of Information Technology Equipment (IEC 60950).

Table of contents

| | |
|--|-----------|
| 1 Product description | 1 |
| 2 External component identification | 6 |
| Finding your hardware and software information | 6 |
| Locating hardware | 6 |
| Locating software | 6 |
| Right side | 6 |
| Left side | 8 |
| Display | 9 |
| Top | 10 |
| TouchPad | 10 |
| Lights | 11 |
| Buttons and speakers | 12 |
| Keys | 13 |
| Bottom | 14 |
| 3 Illustrated parts catalog | 15 |
| Service label | 15 |
| Computer major components | 16 |
| Display assembly subcomponents | 20 |
| Miscellaneous parts | 21 |
| Sequential part number listing | 22 |
| 4 Removal and replacement procedures | 27 |
| Preliminary replacement requirements | 27 |
| Tools required | 27 |
| Service considerations | 27 |
| Plastic parts | 27 |
| Cables and connectors | 27 |
| Drive handling | 28 |
| Grounding guidelines | 28 |
| Electrostatic discharge damage | 28 |
| Packaging and transporting guidelines | 30 |
| Component replacement procedures | 31 |
| Battery | 32 |
| Computer feet | 33 |

| | |
|-------------------------------|----|
| Display panel | 33 |
| Keyboard | 36 |
| Top cover | 40 |
| Power button board | 43 |
| Hard drive | 44 |
| USB board/Audio jack | 47 |
| WLAN module | 48 |
| System board | 51 |
| Memory module | 55 |
| RTC battery | 57 |
| mSATA solid-state drive | 59 |
| PCH heat sink | 61 |
| Heat sink | 62 |
| Fan | 65 |
| Speaker assembly | 66 |
| RJ-45 cover | 67 |
| Display Assembly | 68 |
| Power connector | 71 |

5 Using Setup Utility (BIOS) and System Diagnostics 73

| | |
|-------------------------------------|----|
| Starting Setup Utility (BIOS) | 73 |
| Updating the BIOS | 73 |
| Determining the BIOS version | 73 |
| Downloading a BIOS update | 74 |
| Using System Diagnostics | 75 |

6 Specifications 76

| | |
|---|----|
| Computer specifications | 76 |
| 35.6 cm (14.0 in), display specifications | 77 |
| Hard drive specifications | 77 |

7 Backing up, restoring, and recovering 79

| | |
|--|----|
| Creating recovery media and backups | 79 |
| Creating HP Recovery media | 80 |
| Restore and recovery | 81 |
| Using Windows Refresh for quick and easy recovery | 83 |
| Remove everything and reinstall Windows | 83 |
| Recovering using HP Recovery Manager | 84 |
| What you need to know | 84 |
| Using the HP Recovery partition to recover a minimized image | 84 |

| | |
|---|-----------|
| Using HP Recovery media to recover | 85 |
| Changing the computer boot order | 85 |
| Removing the HP Recovery partition | 85 |
| 8 Power cord set requirements | 87 |
| Requirements for all countries | 87 |
| Requirements for specific countries and regions | 88 |
| 9 Recycling | 90 |
| Index | 91 |

1 Product description

| Category | Description | Intel HM77 | Intel HM70 |
|---------------------|--|------------|------------|
| Product Name | HP Pavilion Sleekbook 15 | √ | √ |
| Processors | 3rd Generation Intel® Core™ i5 processors: | | |
| | Intel Core i5-3317U (1.7 GHz, turbo up to 2.6 GHz, 1600 MHz/3 MB L3 cache, dual core, 17 W) | √ | |
| | 3rd Generation Intel Core i3 processors: | | |
| | Intel Core i3-3217U (1.8 GHz, 1600 MHz/3 MB L3 cache, dual core, 17 W) | √ | |
| | 2nd Generation Intel Core i3 processors: | | |
| | Intel Core i3-2377M (1.5 GHz, 1066 MHz/3 MB L3 cache, dual core, 17 W) | √ | |
| | Intel Pentium® processors: | | |
| | Pentium 997 (1.6 GHz, 1333 MHz/2 MB L3 cache, dual core, 17 W) | | √ |
| | Pentium 987 (1.5 GHz, 1333 MHz/2 MB L3 cache, dual core, 17 W) | | √ |
| Chipsets | Intel HM77 Express chipset for use with computer models with Intel Core processors | √ | |
| | Intel HM70 Express chipset for use with computer models with Pentium or Celeron processors | | √ |
| Graphics | Supports HD Decode, DX11, and HDMI | √ | √ |
| | Supports Optimus (for use with computer models with switchable discrete graphics) | √ | |
| | Internal graphics (UMA) for use with computer models with Intel processors: | | |
| | <ul style="list-style-type: none"> Intel HD Graphics 4000 for use with computer models with 3rd Generation Intel Core processors | √ | |
| | <ul style="list-style-type: none"> Intel HD Graphics 3000 for use with computer models with 2nd Generation Intel Core processors | √ | |
| | <ul style="list-style-type: none"> Intel HD Graphics for use with computer models with Pentium or Celeron processors | | √ |
| | Switchable discrete graphics: | | |
| | <ul style="list-style-type: none"> GeForce GT630M with 2 GB of dedicated video memory (256 MB × 16 DDR3 @ 900 MHz × 4 PCs); 64 bit, (no support for Linux Ubuntu) | √ | |

| Category | Description | Intel HM77 | Intel HM70 |
|----------------------|---|------------|------------|
| | <ul style="list-style-type: none"> GeForce GT630M with 1 GB of dedicated video memory (128 MB × 16 DDR3 @ 900 MHz × 4 PCs); 64 bit (no support for Linux Ubuntu) | ✓ | |
| Display panel | <p>39.6 cm (15.6 in), high-definition (HD), white light-emitting diode (WLED), SVA BrightView (1366×768) display:</p> <ul style="list-style-type: none"> Typical brightness: 200 cd/m² (nits) All display assemblies include two wireless local area network (WLAN) antenna cables Supports 16:9 ultra-wide aspect ratio | ✓ | ✓ |
| Memory | Two SODIMM memory module slots | ✓ | ✓ |
| | Dual-channel memory support | ✓ | ✓ |
| | DDR3-1600 MHz Dual Channel support for use with computer models with 3rd Generation Intel Core processors | ✓ | |
| | DDR3L-1600 MHz Dual Channel support for use with computer models with 3rd Generation Intel Core processors | ✓ | |
| | DDR3-1333 MHz support (DDR3-1600/DDR3L-1600 downgrade to DDR3-1333), for use with computer models with 2nd Generation Intel Core, Pentium, or Celeron processors, or with AMD E2-1800 processors | ✓ | ✓ |
| | Supports up to 8 GB of system RAM in the following configurations: <ul style="list-style-type: none"> 8192 MB total system memory (4096 MB × 2) (no support for 32 bit operating systems) 6144 MB total system memory (4096 MB × 1 + 2048 MB × 1) (no support for 32 bit operating systems) 4096 MB total system memory (4096 MB × 1 or 2048 × 2) 2048 MB total system memory (2048 MB × 1) | ✓ | ✓ |
| Hard drives | Supports 6.35 cm (2.5 in) hard drives in 9.5 mm (.37 in) and 7.0 mm (.28 in) thicknesses | ✓ | ✓ |
| | Serial ATA (SATA) | ✓ | ✓ |
| | HP 3D Drive Guard support | ✓ | ✓ |
| | Intel Smart Response Technology support for use with computer models with Intel Core processors | ✓ | |
| | Supports the following single hard drive configurations: | | |
| | <ul style="list-style-type: none"> 1 TB, 5400 rpm, 9.5 mm | ✓ | ✓ |
| | <ul style="list-style-type: none"> 750 GB, 7200 rpm, 9.5 mm | ✓ | ✓ |
| | <ul style="list-style-type: none"> 750 GB, 5400 rpm, 9.5 mm | ✓ | ✓ |
| | <ul style="list-style-type: none"> 640 GB, 5400 rpm, 9.5 mm | ✓ | ✓ |

| Category | Description | Intel HM77 | Intel HM70 |
|------------------------|--|------------|------------|
| | <ul style="list-style-type: none"> 500 GB, 7200 rpm, 9.5 mm | √ | √ |
| | <ul style="list-style-type: none"> 500 GB, 5400 rpm, 9.5 mm | √ | √ |
| | <ul style="list-style-type: none"> 500 GB, 5400 rpm, 7.0 mm | √ | √ |
| | <ul style="list-style-type: none"> 320 GB, 5400 rpm, 9.5 mm | √ | √ |
| | <ul style="list-style-type: none"> 320 GB, 5400 rpm, 7.0 mm | √ | √ |
| | Supports 32 GB mSATA for use with computer models with Intel Core processors, with system memory up to 8 GB, | √ | |
| Audio and video | One digital microphone | √ | √ |
| | HD audio | √ | √ |
| | Supports Dolby Advanced Audio | √ | √ |
| | Two Altec Lansing speakers | √ | √ |
| | Supports Microsoft® Premium requirements | √ | √ |
| | HP TrueVision HD camera (fixed, no tilt) with activity LED, USB 2.0, M-JPEG, 1280 x 720 by 30 frames per second | √ | √ |
| Ethernet | Integrated 10/100 network interface card (NIC) | √ | √ |
| Wireless | Integrated wireless local area network (WLAN) options by way of wireless module | √ | √ |
| | Two WLAN antennas built into display assembly | √ | √ |
| | Support for Intel Wireless Display | √ | √ |
| | Support for the following WLAN formats: | | |
| | <ul style="list-style-type: none"> Intel Centrino® Wireless-N 2230 802.11 b/g/n 2x2 WiFi and Bluetooth 4.0 Combination Adapter | √ | √ |
| | <ul style="list-style-type: none"> Qualcomm Atheros AR9485 802.11 b/g/n 1x1 WiFi Adapter | √ | √ |
| | <ul style="list-style-type: none"> Qualcomm Atheros AR9565 802.11 b/g/n 1x1 WiFi and Bluetooth 4.0 Combo Adapter, not supported on Ubuntu Linux, (select models only) | √ | √ |
| | <ul style="list-style-type: none"> Ralink RT3290LE 802.11 b/g/n 1x1 WiFi and Bluetooth 4.0 Combo Adapter (select models only) | √ | √ |
| | <ul style="list-style-type: none"> Ralink RT5390R 802.11 b/g/n 1x1 WiFi (select models only) | √ | √ |

| Category | Description | Intel HM77 | Intel HM70 |
|-----------------------------------|--|------------|------------|
| External media card | <p>HP Multi-Format Digital Media Reader slot with push-push technology, supporting the following digital card formats:</p> <ul style="list-style-type: none"> Secure Digital (SD) Memory Card Secure Digital High Capacity (SDHC) Memory Card Secure Digital Extended Capacity (SDXC) Memory Card MultiMediaCard (MMC) | √ | √ |
| Internal media cards | <ul style="list-style-type: none"> One half-size Mini Card slot for WLAN One full-size mini-card slot for mSATA cache, for use with computer models with Intel Core processors and system memory up to 8 GB | √ | √ |
| Ports | <ul style="list-style-type: none"> Audio-in/Audio-out (combination headphone/microphone) HDMI version 1.4 supporting up to 1920×1200 @ 60Hz HP AC power adapter RJ-45 (Ethernet, includes link and activity lights) USB 3.0 (2 ports) USB 2.0 (1 port) | √ | √ |
| Keyboard/ pointing devices | <p>Island-style keyboard with numeric keypad 1.5 mm travel distance</p> <p>TouchPad with two buttons:</p> <ul style="list-style-type: none"> Multitouch gesture support enabled as default Taps enabled by default Supports edge-swipe gestures | √ | √ |
| Power requirements | <p>AC adapter</p> <p>65 W RC V AC adapter with localized cable plug support (3-wire plug with ground pin, supports 3-pin DC connector) 1 m length</p> <p>Battery</p> <p>4 cell, 37 Whr, 2.55 Ah, Li-ion battery Supports fast charge</p> | √ | √ |
| Security | <p>Security cable slot</p> <p>Intel AT-p Ready support</p> | √ | √ |
| Operating system | <p>Preinstalled:</p> <ul style="list-style-type: none"> Windows 8 Professional 64 bit | √ | √ |

| Category | Description | Intel HM77 | Intel HM70 |
|-----------------------|---|-------------------|-------------------|
| | <ul style="list-style-type: none">• Windows 8 Standard 64 bit | √ | √ |
| | <ul style="list-style-type: none">• FreeDOS 2.0 | √ | √ |
| Serviceability | End-user replaceable parts: | √ | √ |
| | <ul style="list-style-type: none">• Keyboard | | |

2 External component identification

Finding your hardware and software information

Locating hardware

To find out what hardware is installed on your computer:

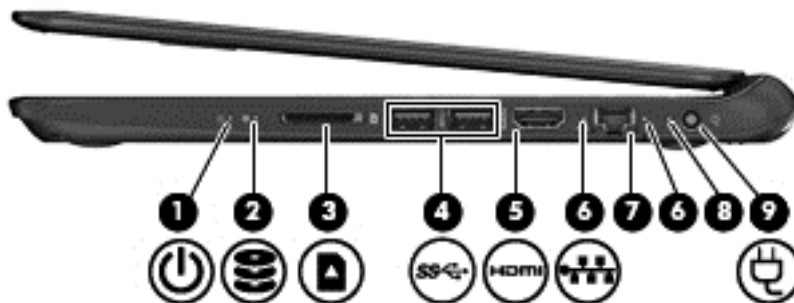
1. From the Start screen, type **c**, and then select **Control Panel**.
2. Select **System and Security**, and then in the System area, click **Device Manager**.


A list displays all the devices installed in your computer.






Locating software

- ▲ To find out what software is installed on your computer, from the Start screen, right-click using the mouse or swipe from the top of the TouchPad to display the apps, and then select the **All apps** icon.

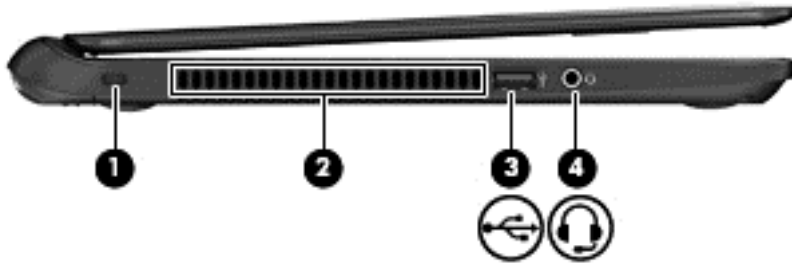
Right side





| Component | Description |
|---|--|
| (1)  Power light | <ul style="list-style-type: none">• White: The computer is on.• Blinking white: The computer is in the Sleep state, which is an energy-saving mode. The computer shuts off power to the display and other unneeded components.• Off: The computer is off or in Hibernation. Hibernation is an energy-saving mode that uses the least amount of power. <p>NOTE: For select models, the Intel® Rapid Start Technology feature is enabled at the factory. Rapid Start Technology allows your computer to resume quickly from inactivity.</p> |

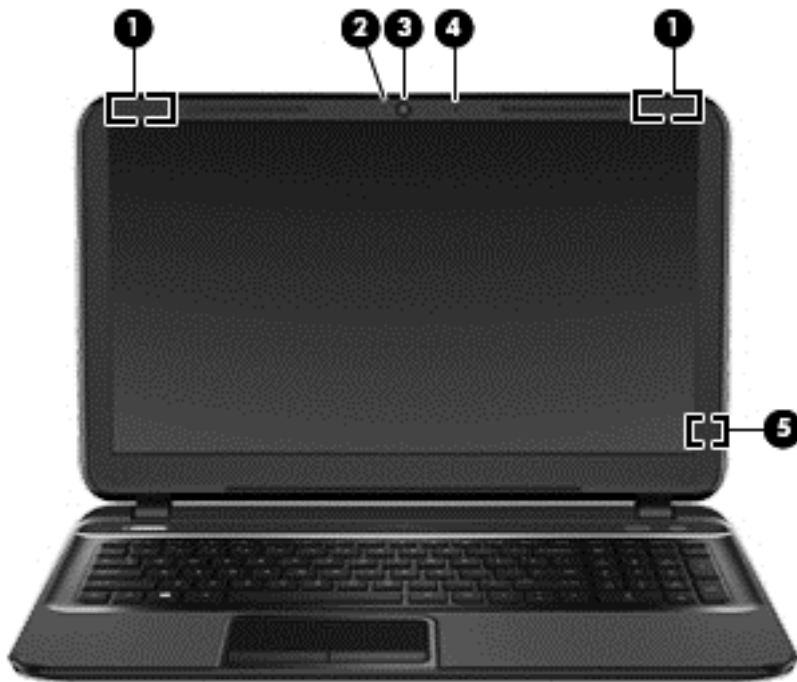
| Component | | Description |
|-----------|--|---|
| (2) |  Hard drive light | <ul style="list-style-type: none"> Blinking white: The hard drive is being accessed. Amber: HP 3D DriveGuard has temporarily parked the hard drive. |
| (3) |  Digital Media Slot | <p>Supports the following digital card formats:</p> <ul style="list-style-type: none"> Secure Digital (SD) Memory Card Secure Digital Extended Capacity (SDxC) Memory Card Secure Digital High Capacity (SDHC) Memory Card MultiMediaCard (MMC) |
| (4) |  USB 3.0 ports (2) | Connect optional USB 3.0 devices and provide enhanced USB power performance. |
| (5) |  HDMI port | Connects an optional video or audio device, such as a high-definition television, or any compatible digital or audio device. |
| (6) | RJ-45 (network) jack lights | <ul style="list-style-type: none"> White—Computer is connected to a network. Blinking amber—Data is being transferred. <p>NOTE: When both lights are off the computer is not connected to a network.</p> |
| (7) |  RJ-45 (network) jack | Connects a network cable. |
| (8) | AC adapter light | <ul style="list-style-type: none"> White: The AC adapter is connected and the battery is charged. Blinking white: The battery has reached a low battery level. Amber: The AC adapter is connected and the battery is charging. Off: The computer is using DC power. |
| (9) |  Power connector | Connects an AC adapter. |

Left side



| Component | Description |
|--|--|
| (1) Security cable slot | Attaches an optional security cable to the computer. NOTE: The security cable is designed to act as a deterrent, but it may not prevent the computer from being mishandled or stolen. |
| (2) Vent | Enables airflow to cool internal components. NOTE: The computer fan starts up automatically to cool internal components and prevent overheating. It is normal for the internal fan to cycle on and off during routine operation. |
| (3)  USB 2.0 port | Connects an optional USB 2.0 device. |
| (4)  Audio-out (headphone) jack/Audio-in (microphone) jack | Connects optional powered stereo speakers, headphones, earbuds, a headset, or a television audio cable. The jack does not support optional microphone-only devices. WARNING! To reduce the risk of personal injury, adjust the volume before using headphones, earbuds, or a headset. For additional safety information, see the <i>Regulatory, Safety and Environmental Notices</i> . NOTE: When a device is connected to the jack, the computer speakers are disabled. NOTE: Be sure that the device cable has a 4-conductor connector that supports both audio-out (headphone) and audio-in (microphone). |

Display

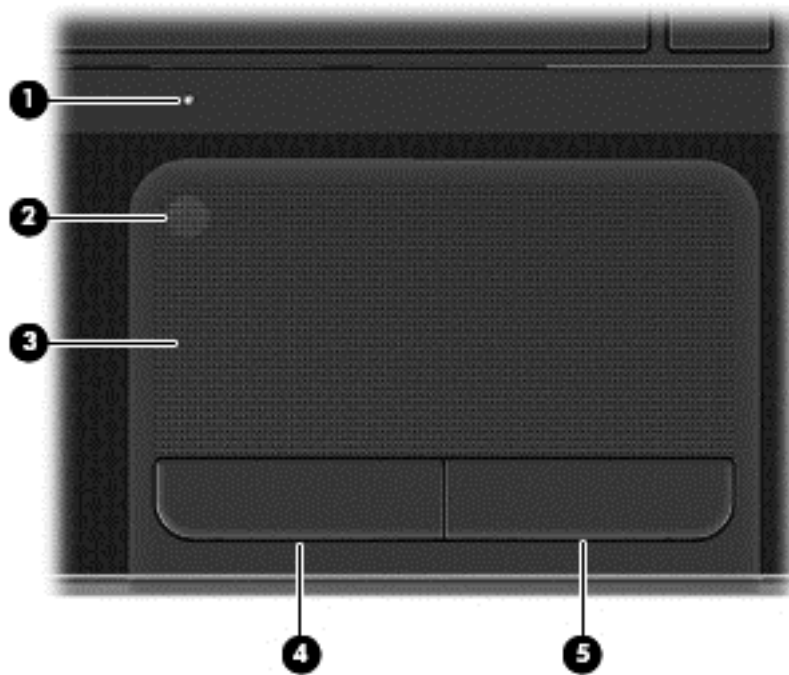


| Component | Description |
|-----------------------------|---|
| (1) WLAN antennas (2)* | Send and receive wireless signals to communicate with wireless local area networks (WLANs). |
| (2) Webcam light | On: The webcam is in use. |
| (3) HP TrueVision HD Webcam | Records video, captures still photographs, and allows you to video conference and chat online using streaming video. To use the webcam, from the Start screen type <i>c</i> , and then select CyberLink YouCam from the list of apps. |
| (4) Internal microphone | Records sound. |

*The antennas are not visible from the outside of the computer. For optimal transmission, keep the areas immediately around the antennas free from obstructions. For wireless regulatory notices, see the section of the *Regulatory, Safety and Environmental Notices* that applies to your country or region. To access this guide, select the **HP Support Assistant** app on the Start screen, select **My computer**, and then select **User guides**.

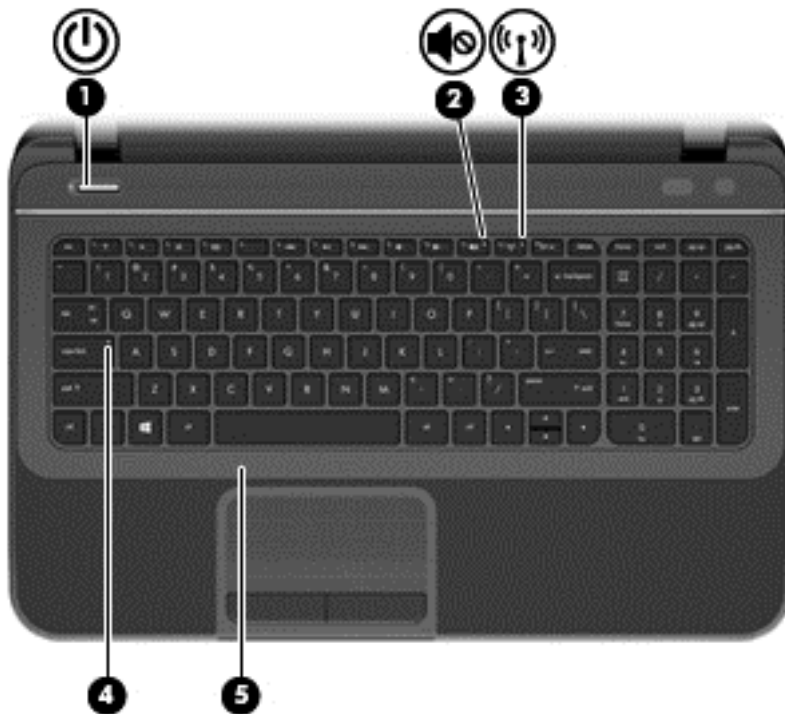
Top




TouchPad



| Component | Description |
|----------------------------|--|
| (1) TouchPad light | <ul style="list-style-type: none">• Amber: The TouchPad is off.• Off: The TouchPad is on. |
| (2) TouchPad on/off button | Turns the TouchPad on or off. |
| (3) TouchPad zone | Moves the on-screen pointer and selects or activates items on the screen. |
| (4) Left TouchPad button | Functions like the left button on an external mouse. |
| (5) Right TouchPad button | Functions like the right button on an external mouse. |


Lights



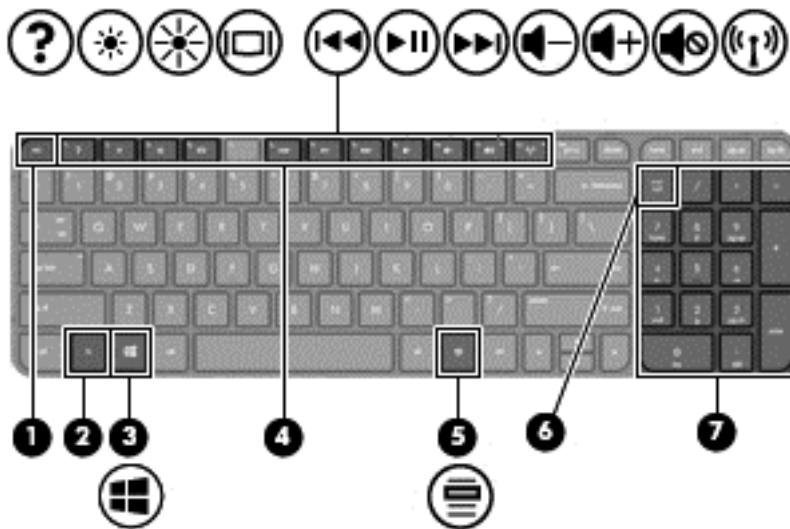
| Component | Description |
|--|--|
| (1)  Power light | <ul style="list-style-type: none"> • White: The computer is on. • Blinking white: The computer is in the Sleep state, which is an energy-saving mode. The computer shuts off power to the display and other unneeded components. • Off: The computer is off or in Hibernation. Hibernation is an energy-saving mode that uses the least amount of power. <p>NOTE: For select models, the Intel® Rapid Start Technology feature is enabled at the factory. Rapid Start Technology allows your computer to resume quickly from inactivity.</p> |
| (2) Caps lock light | White: Caps lock is on, which switches the keys to all capital letters. |
| (3)  Mute light | <ul style="list-style-type: none"> • Amber: Computer sound is off. • Off: Computer sound is on. |
| (4)  Wireless light | <ul style="list-style-type: none"> • White: An integrated wireless device, such as a wireless local area network (WLAN) device and/or a Bluetooth® device, is on. • Amber: All wireless devices are off. |
| (5) TouchPad light | <ul style="list-style-type: none"> • Amber: The TouchPad is off. • Off: The TouchPad is on. |



Buttons and speakers



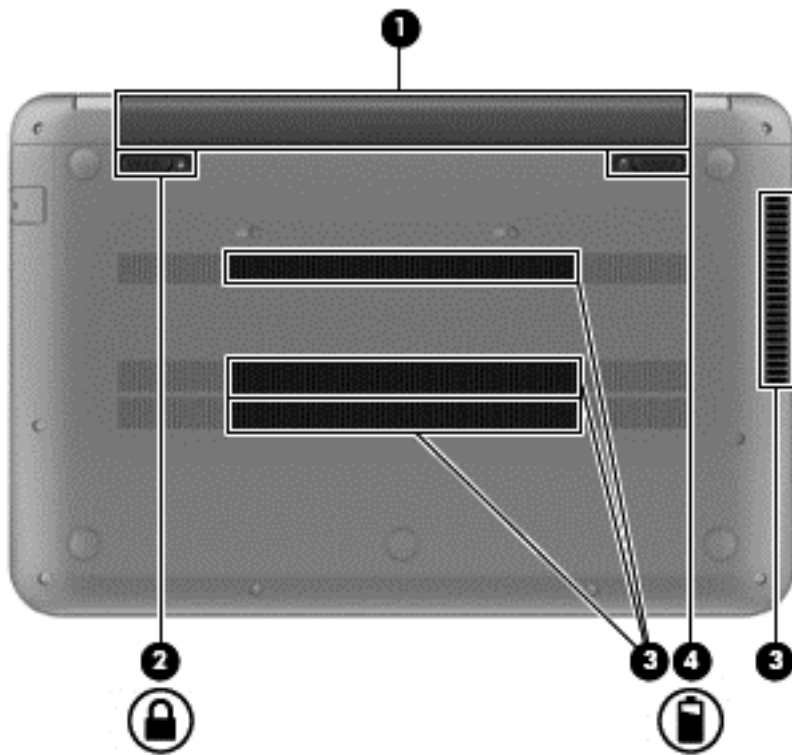
| Component | Description |
|---|--|
| (1)  Power button | <ul style="list-style-type: none">• When the computer is off, press the button to turn on the computer.• When the computer is on, press the button briefly to initiate Sleep (disabled by default).• When the computer is in the Sleep state, press the button briefly to exit Sleep.• When the computer is in Hibernation, press the button briefly to exit Hibernation. <p>CAUTION: Pressing and holding the power button will result in the loss of unsaved information.</p> <p>If the computer has stopped responding and Microsoft® Windows® shutdown procedures are ineffective, press and hold the power button for at least 5 seconds to turn off the computer.</p> <p>NOTE: For select models, the Intel® Rapid Start Technology feature is enabled at the factory. Rapid Start Technology allows your computer to resume quickly from inactivity.</p> <p>To learn more about your power settings:</p> <ol style="list-style-type: none">1. From the Start screen, type <code>power</code>.2. Select Settings, and then select Power options. |
| (2) Speakers (2) | Produce sound. |



Keys



| Component | Description |
|--|--|
| (1) <code>esc</code> key | Displays system information when pressed in combination with the <code>fn</code> key. |
| (2) <code>fn</code> key | Displays system information when pressed in combination with the <code>esc</code> key. |
| (3)  Windows logo key | Returns you to the Start screen from an open app or the Desktop. NOTE: Pressing the Windows logo key again will return you to the previous screen. |
| (4) Action keys | Execute frequently-used system functions. |
| (5)  Windows applications key | Displays a shortcut menu for items beneath the cursor. |
| (6) <code>num lock</code> key | Controls the function of the integrated numeric keypad. Press the key to alternate between the standard numeric function of an external keypad (selected the factory) and the navigational function (indicated by the directional arrows on the keys). NOTE: The keypad function that is active when the computer is turned off is reinstated when the computer is turned back on. |
| (7) Integrated numeric keypad | Set at the factory to function like an external numeric keypad. To alternate between this numeric function and the navigational function (indicated by the directional arrows on the keys), press the <code>num lock</code> key. |

Bottom



| Component | Description |
|---|---|
| (1) Battery bay | Holds the battery. |
| (2)  Battery lock | Locks and unlocks the battery. |
| (3) Vents (4) | Enable airflow to cool internal components. NOTE: The computer fan starts up automatically to cool internal components and prevent overheating. It is normal for the internal fan to cycle on and off during routine operation. |
| (4)  Battery release latch | Releases the battery from the battery bay. |

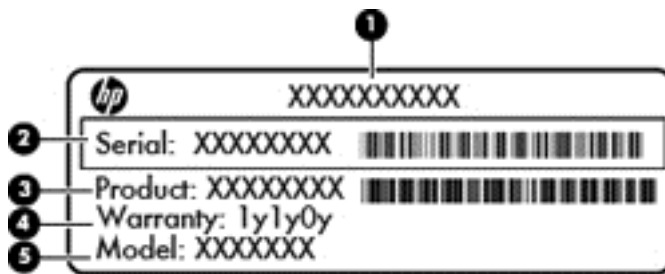
3 Illustrated parts catalog

Service label

When ordering parts or requesting information, provide the computer serial number and model description provided on the service label. The service label is located on the bottom of the computer.

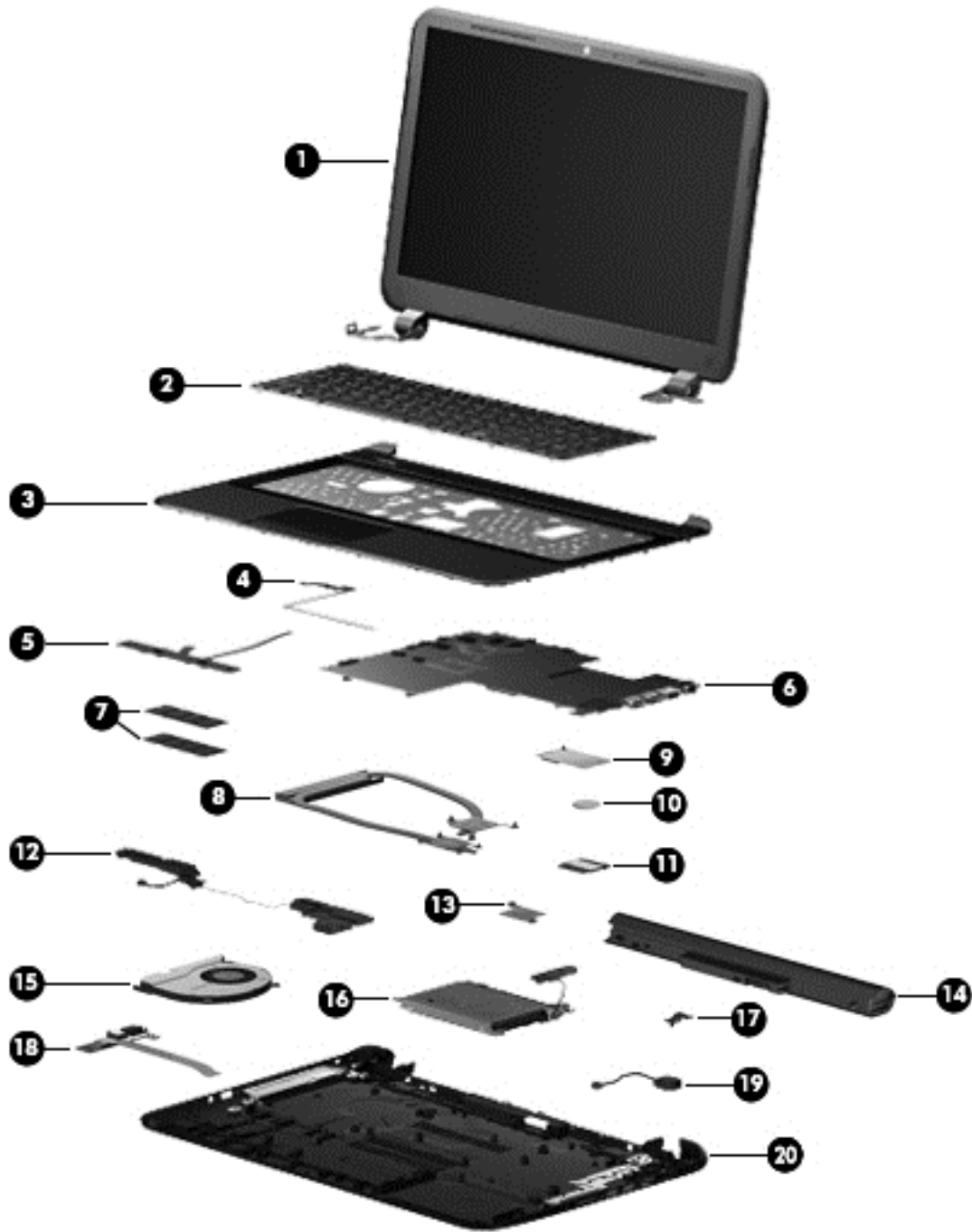


NOTE: Your label may look slightly different from the illustration in this section.



| Item | Description | Function |
|------|--|--|
| (1) | Product name | This is the model name for the computer. |
| (2) | Serial number | This is an alphanumeric identifier that is unique to each product. |
| (3) | Product part number | This number provides specific information about the product's hardware components. The part number helps a service technician to determine what components and parts are needed. |
| (4) | Warranty period | This number describes the duration of the warranty period for the computer. |
| (5) | Model description (select models only) | This is the alphanumeric identifier needed to locate documents, drivers, and support for the computer. |

Computer major components



| Item | Component | Spare part number |
|------|---|-------------------|
| (1) | 39.6 cm (15.0 in), high definition (HD), WLED, SVA BrightView display assembly. The display assembly is spared at the subcomponent level only. NOTE: For a full list of display spare parts, see Display assembly subcomponents on page 20 . | |
| (2) | Keyboard, black finish (includes keyboard cable): | |

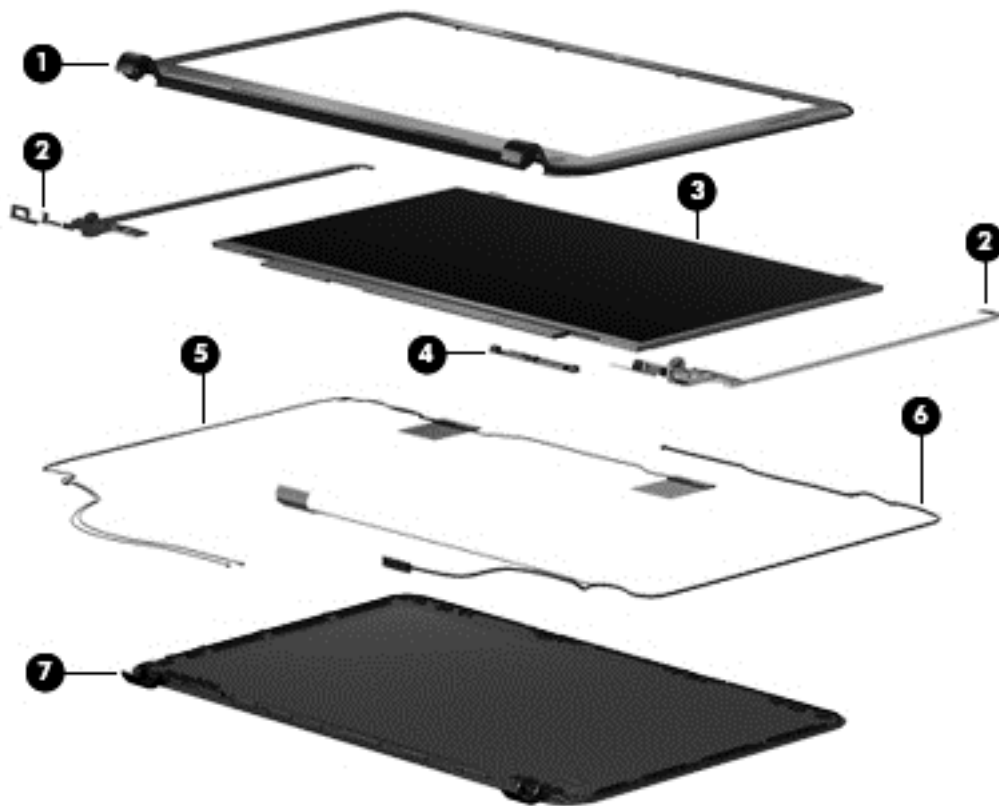
| Item | Component | Spare part number |
|-------------|--|--------------------------|
| | • For use in Canada | 701684-DB1 |
| | • For use in France | 701684-051 |
| | • For use in Germany | 701684-041 |
| | • For use internationally | 701684-B31 |
| | • For use in Israel | 701684-BB1 |
| | • For use in Latin America | 701684-161 |
| | • For use in the Nordic Regions | 701684-DH1 |
| | • For use in Portugal | 701684-131 |
| | • For use in Saudi Arabia | 701684-171 |
| | • For use in South Korea | 701684-AD1 |
| | • For use in Spain | 701684-071 |
| | • For use in Taiwan | 701684-AB1 |
| | • For use in Thailand | 701684-281 |
| | • For use in Turkey | 701684-141 |
| | • For use in the United Kingdom | 701684-031 |
| | • For use in the United States | 701684-001 |
| | • For use in Italy | 701684-061 |
| | • For use in Greece | 701684-151 |
| | • For use in Hungary | 701684-211 |
| | • For use in Russia | 701684-251 |
| | • For use in Bulgaria | 701684-261 |
| | • For use in Romania | 701684-271 |
| | • For use in Belgium | 701684-A41 |
| | • For use in Slovenia | 701684-BA1 |
| | • For use in Switzerland | 701684-BG1 |
| | • For use in the Czech Republic | 701684-FL1 |
| | • For use in Japan | 701684-291 |
| (3) | Top cover (includes TouchPad): | |
| | • Ruby red | 701703-001 |
| | • Sparkling black | 701704-001 |
| (4) | Power button board (includes cable) | 701686-001 |
| (5) | TouchPad button board | 701685-001 |

| Item | Component | Spare part number |
|------------|---|-------------------|
| (6) | System board (includes replacement thermal material): | |
| | For use with computer models with Intel processors and UMA graphics: | |
| | For use with computer models with HM77 chipsets and i5-3317U processors: | |
| | • For Windows 8 Professional | 701694-601 |
| | • For Windows 8 Standard | 701694-501 |
| | • For FreeDOS 2.0 | 701694-001 |
| | For use with computer models with HM77 chipsets and i3-3217U processors: | |
| | • For Windows 8 Professional | 701696-601 |
| | • For Windows 8 Standard | 701696-501 |
| | • For FreeDOS 2.0 | 701696-001 |
| | For use with computer models with HM77 chipsets and i3-2377M processors: | |
| | • For Windows 8 Professional | 701697-601 |
| | • For Windows 8 Standard | 701697-501 |
| | • For FreeDOS 2.0 | 701697-001 |
| | For use with computer models with HM70 chipsets and Pentium 997 processors: | |
| | • For Windows 8 Professional | 703714-601 |
| | • For Windows 8 Standard | 703714-501 |
| | • For FreeDOS 2.0 | 703714-001 |
| | For use with computer models with HM70 chipsets and Pentium 987 processors: | |
| | • For Windows 8 Professional | 701691-601 |
| | • For Windows 8 Standard | 701691-501 |
| | • For FreeDOS 2.0 | 701691-001 |
| | For use with computer models with Intel processors and discrete switchable graphics : | |
| | For use with computer models with HM77 chipsets, i5-3317U processors and 2 GB of dedicated video memory: | |
| | • For Windows 8 Professional | 701702-601 |
| | • For Windows 8 Standard | 701702-501 |
| | • For FreeDOS 2.0 | 701702-001 |
| | For use with computer models with HM77 chipsets, i3-3217U processors, and 1 GB of dedicated video memory: | |
| | • For Windows 8 Professional | 701699-601 |
| | • For Windows 8 Standard | 701699-501 |
| | • For FreeDOS 2.0 | 701699-001 |

| Item | Component | Spare part number |
|-------------|---|-------------------|
| | For use with computer models with HM77 chipsets, i3-2377M processors, and 1 GB of dedicated video memory: | |
| | <ul style="list-style-type: none"> For Windows 8 Professional | 701700-501 |
| | <ul style="list-style-type: none"> For Windows 8 Standard | 701700-501 |
| | <ul style="list-style-type: none"> For FreeDOS 2.0 | 701700-001 |
| (7) | Memory modules (two, DDR3-1600 MHz, PC3-12800): | |
| | <ul style="list-style-type: none"> 4 GB | 641369-005 |
| | <ul style="list-style-type: none"> 2 GB | 652972-005 |
| (8) | Heat sink (includes replacement thermal material): | |
| | <ul style="list-style-type: none"> Heat sink for computer models with switchable discrete graphics | 697916-001 |
| | <ul style="list-style-type: none"> Heat sink for computer models with UMA graphics, not illustrated | 697915-001 |
| (9) | mSATA solid-state drive, 32 GB (for computer models with Intel Core processors, not supported on Ubuntu Linux) | 698524-001 |
| (10) | RTC battery | 697917-001 |
| (11) | Hard drive SATA, (does not include hard drive bumpers, bracket, or cable): | |
| | 9.5 mm (0.37 in) × 6.35 cm (2.50 in): | |
| | <ul style="list-style-type: none"> 1 TB, 5400 rpm | 676521-005 |
| | <ul style="list-style-type: none"> 750 GB, 7200 rpm | 633252-005 |
| | <ul style="list-style-type: none"> 750 GB, 5400 rpm | 634250-005 |
| | <ul style="list-style-type: none"> 640 GB, 5400 rpm | 669300-005 |
| | <ul style="list-style-type: none"> 500 GB, 7200 rpm | 634925-005 |
| | <ul style="list-style-type: none"> 500 GB, 5400 rpm | 669299-005 |
| | <ul style="list-style-type: none"> 300 GB, 5400 rpm | 622643-005 |
| | 7.0 mm (0.28 in) × 6.35 cm (2.50 in): | |
| | <ul style="list-style-type: none"> 500 GB, 5400 rpm | 669299-005 |
| | <ul style="list-style-type: none"> 320 GB, 5400 rpm | 622643-005 |
| | Hard Drive Hardware Kit , not illustrated, (includes hard drive bracket and bracket screws, cable, and 2 bumpers) | 701945-001 |
| (12) | WLAN module: | |
| | <ul style="list-style-type: none"> Intel Centrino Wireless-N 2230 802.11 b/g/n 2×2 WiFi and Bluetooth 4.0 Combination Adapter, for use with computers with Intel processors | 670290-005 |
| | <ul style="list-style-type: none"> Qualcomm Atheros AR9485 802.11 b/g/n 1×1 WiFi Adapter | 675794-005 |
| | <ul style="list-style-type: none"> Qualcomm Atheros AR9565 802.11 b/g/n 1×1 WiFi and Bluetooth 4.0 Combo Adapter for use with computers with Intel processors, not supported on Ubuntu Linux, (select models only) | 690019-005 |

| Item | Component | Spare part number |
|------|--|-------------------|
| | <ul style="list-style-type: none"> Ralink RT3290LE 802.11 b/g/n 1x1 WiFi and Bluetooth 4.0 Combo Adapter (select models only) | 690020-005 |
| | <ul style="list-style-type: none"> Ralink RT5390R 802.11 b/g/n 1x1 WiFi (select models only) | 691415-005 |
| (13) | Platform Controller Hub (PCH) heat sink | 699248-001 |
| (14) | Speaker assembly (includes left and right speakers and cable) | 701690-001 |
| (15) | Battery , 4 cell. 37 Whr, (2.55 Ah) | 695192-001 |
| (16) | Fan | 697914-001 |
| (17) | RJ-45 cover | 703075-001 |
| (18) | Power connector | 701682-001 |
| (19) | USB board (includes cable and audio-out/audio-in jack) | 701687-001 |
| (20) | Base enclosure: | 701679-001 |
| | Rubber Feet Kit , not illustrated, (includes 4 rubber feet) | 697906-001 |

Display assembly subcomponents



| Item | Component | Spare part number |
|------|--|-------------------|
| (1) | Display bezel | 701680-001 |
| (2) | Display Hinge Kit (includes left and right display hinges and brackets) | 701683-001 |
| (3) | 35.6 cm (15.6 in), HD, WLED, SVA BrightView display panel | 701688-001 |
| (4) | Webcam/microphone module | 707767-001 |
| (5) | Antenna Kit (includes left and right wireless antenna cables and transceivers) | 701676-001 |
| (6) | Display Panel Cable Kit (includes display panel cable and webcam/microphone module cable) | 701681-001 |
| (7) | Display enclosure: | |
| | <ul style="list-style-type: none"> Ruby red | 701677-001 |
| | <ul style="list-style-type: none"> Sparkling black | 701678-001 |

Miscellaneous parts

| Component | Spare part number |
|---|-------------------|
| AC adapter: | |
| <ul style="list-style-type: none"> 65 W RC V AC adapter | 693715-001 |
| Power cord (3-pin, black, 1.83 m): | |
| <ul style="list-style-type: none"> For use in Australia | 490371-011 |
| <ul style="list-style-type: none"> For use in Europe | 490371-021 |
| <ul style="list-style-type: none"> For use in India | 490371-D61 |
| <ul style="list-style-type: none"> For use in North America | 490371-001 |
| <ul style="list-style-type: none"> For use in the People's Republic of China | 490371-AA1 |
| <ul style="list-style-type: none"> For use in South Korea | 490371-AD1 |
| <ul style="list-style-type: none"> For use in Taiwan | 490371-AB1 |
| <ul style="list-style-type: none"> For use in Thailand | 490371-201 |
| <ul style="list-style-type: none"> For use in the United Kingdom and Singapore | 490371-031 |
| <ul style="list-style-type: none"> For use in Denmark | 490371-081 |
| <ul style="list-style-type: none"> For use in Switzerland | 490371-111 |
| <ul style="list-style-type: none"> For use in Africa | 490371-AR1 |
| <ul style="list-style-type: none"> For use in South Africa | 490371-BB1 |
| Optional external optical drive , not illustrated, (includes bezel and bracket): | |
| <ul style="list-style-type: none"> Blu-ray ROM DVD±R/RW Super Multi Double-Layer Drive | 659941-001 |

| Component | Spare part number |
|---|--------------------------|
| • DVD±RW Super Multi Double-Layer Combination Drive | 659940-001 |
| Screw Kit (not illustrated) | 701689-001 |
| Thermal Material Kit | 680571-001 |

Sequential part number listing

| Spare part number | Description |
|--------------------------|---|
| 490371-001 | Power cord for use in North America (black, 3-pin, 1.83 m) |
| 490371-011 | Power cord for use in Australia (black, 3-pin, 1.83 m) |
| 490371-021 | Power cord for use in Europe (black, 3-pin, 1.83 m) |
| 490371-031 | Power cord for use in the United Kingdom and Singapore (black, 3-pin, 1.83 m) |
| 490371-081 | Power cord for use in Denmark (black, 3-pin, 1.83 m) |
| 490371-111 | Power cord for use in Switzerland (black, 3-pin, 1.83 m) |
| 490371-201 | Power cord for use in Thailand (black, 3-pin, 1.83 m) |
| 490371-AA1 | Power cord for use in the People's Republic of China (black, 3-pin, 1.83 m) |
| 490371-AB1 | Power cord for use in Taiwan (black, 3-pin, 1.83 m) |
| 490371-AD1 | Power cord for use in South Korea (black, 3-pin, 1.83 m) |
| 490371-AR1 | Power cord for use in South Africa (black, 3-pin, 1.83 m) |
| 490371-BB1 | Power cord for use in Israel (black, 3-pin, 1.83 m), for use with computer models with Intel processors |
| 490371-D61 | Power cord for use in India (black, 3-pin, 1.83 m) |
| 622643-005 | 320 GB, 5400 rpm hard drive (9.5 mm (0.37 in) × 6.35 cm (2.50 in) SATA, does not include hard drive bumpers, bracket, or cable) |
| 633252-005 | 750 GB, 7200 rpm hard drive (9.5 mm (0.37 in) × 6.35 cm (2.50 in) SATA, does not include hard drive bumpers, bracket, or cable) |
| 634250-005 | 750 GB, 5400 rpm hard drive (9.5 mm (0.37 in) × 6.35 cm (2.50 in) SATA, does not include hard drive bumpers, bracket, or cable) |
| 634925-005 | 500 GB, 7200 rpm hard drive (9.5 mm (0.37 in) × 6.35 cm (2.50 in) SATA, does not include hard drive bumpers, bracket, or cable) |
| 641369-005 | 4 GB memory module (DDR3-1600 MHz, PC3-12800) |
| 652972-005 | 2 GB memory module (DDR3-1600 MHz, PC3-12800) |
| 659940-001 | External optional DVD±RW Super Multi Double-Layer Combination Drive |
| 659941-001 | External optional Blu-ray ROM DVD±R/RW Super Multi Double-Layer Drive |
| 669299-005 | 500 GB, 5400 rpm hard drive (9.5 mm (0.37 in) × 6.35 cm (2.50 in) SATA, does not include hard drive bumpers, bracket, or cable) |

| Spare part number | Description |
|--------------------------|---|
| 669300-005 | 640 GB, 5400 rpm hard drive (9.5 mm (0.37 in) × 6.35 cm (2.50 in) SATA, does not include hard drive bumpers, bracket, or cable) |
| 670290-005 | Intel Centrino Wireless-N 2230 802.11 b/g/n 2×2 WiFi and Bluetooth 4.0 combination adapter, for use with computer models with Intel processors |
| 675794-005 | Qualcomm Atheros AR9485 802.11 b/g/n 1×1 WiFi Adapter |
| 676521-005 | 1 TB, 5400 rpm hard drive (9.5 mm (0.37 in) × 6.35 cm (2.50 in) SATA, does not include hard drive bumpers, bracket, or cable) |
| 680571-001 | Thermal Material Kit (includes replacement thermal paste and pads) |
| 690019-005 | Qualcomm Atheros AR9565 802.11 b/g/n 1×1 WiFi and Bluetooth 4.0 Combo Adapter for use with computers with Intel processors, not supported on Ubuntu Linux, (select models only) |
| 690020-005 | Ralink RT3290LE 802.11 b/g/n 1×1 WiFi and Bluetooth 4.0 Combo Adapter (select models only) |
| 691415-005 | Ralink RT5390R 802.11 b/g/n 1×1 WiFi Adapter (select models only) |
| 693715-001 | 65 W RC V AC adapter |
| 695192-001 | 4 cell, 37 Whr, 2.55 Ah Li-ion battery |
| 697906-001 | Rubber Feet Kit (includes 4 rubber feet) |
| 697914-001 | Fan |
| 697915-001 | Heat sink for use with computer models with a graphics subsystem with UMA video memory (includes replacement thermal material) |
| 697916-001 | Heat sink for use with computer models with a graphics subsystem with switchable discrete graphics (includes replacement thermal material) |
| 697917-001 | RTC battery |
| 698524-001 | mSATA solid-state drive, 32 GB (for use with computer models Intel Core processors, not supported on Ubuntu Linux) |
| 699248-001 | PCH heat sink |
| 701676-001 | Antenna Kit (includes left and right wireless antenna cables and transceivers) |
| 701677-001 | Display enclosure, ruby red |
| 701678-001 | Display enclosure, sparkling black |
| 701679-001 | Base enclosure |
| 701680-001 | Display bezel (includes webcam and microphone) |
| 701681-001 | Display Panel Cable Kit (includes display panel cable and webcam/microphone module cable) |
| 701682-001 | Power connector |
| 701683-001 | Display Hinge Kit (includes left and right display hinges and brackets) |
| 701684-001 | Keyboard with black finish for use in the United States (includes cable) |
| 701684-031 | Keyboard with black finish for use in the United Kingdom (includes cable), for use with computer models with Intel processors only |

| Spare part number | Description |
|--------------------------|---|
| 701684-041 | Keyboard with black finish for use in Germany (includes cable), for use with computer models with Intel processors only |
| 701684-051 | Keyboard with black finish for use in France (includes cable), for use with computer models with Intel processors |
| 701684-061 | Keyboard with black finish for use in Italy (includes cable), for use with computer models with Intel processors |
| 701684-071 | Keyboard with black finish for use in Spain (includes cable), for use with computer models with Intel processors |
| 701684-131 | Keyboard with black finish for use in Portugal (includes cable), for use with computer models with Intel processors |
| 701684-141 | Keyboard with black finish for use in Turkey (includes cable), for use with computer models with Intel processors |
| 701684-151 | Keyboard with black finish for use in Greece (includes cable), for use with computer models with Intel processors |
| 701684-161 | Keyboard with black finish for use in Latin America (includes cable) |
| 701684-171 | Keyboard with black finish for use in Saudi Arabia (includes cable), for use with computer models with Intel processors only |
| 701684-211 | Keyboard with black finish for use in Hungary (includes cable), for use with computer models with Intel processors only |
| 701684-251 | Keyboard with black finish for use in Russia (includes cable) |
| 701684-261 | Keyboard with black finish for use in Bulgaria (includes cable) |
| 701684-271 | Keyboard with black finish for use in Romania (includes cable) |
| 701684-281 | Keyboard with black finish for use in Thailand (includes cable) |
| 701684-A41 | Keyboard with black finish for use in Belgium (includes cable) |
| 701684-AB1 | Keyboard with black finish for use in Taiwan (includes cable) |
| 701684-AD1 | Keyboard with black finish for use in South Korea (includes cable) |
| 701684-B31 | Keyboard with black finish for use internationally (includes cable), for use with computer models with Intel processors only |
| 701684-BA1 | Keyboard with black finish for use in Slovenia (includes cable) |
| 701684-BB1 | Keyboard with black finish for use in Israel (includes cable), for use with computer models with Intel processors only |
| 701684-BG1 | Keyboard with black finish for use in Switzerland (includes cable) |
| 701684-DB1 | Keyboard with black finish for use in Canada (includes cable) |
| 701684-DH1 | Keyboard with black finish for use in the Nordic Region (includes cable), for use with computer models with Intel processors |
| 701684-FL1 | Keyboard with black finish for use in the Czech Republic (includes cable), for use with computer models with Intel processors |
| 701685-001 | TouchPad button board |

| Spare part number | Description |
|--------------------------|--|
| 701686-001 | Power button board (includes cable) |
| 701687-001 | USB board (includes cable and audio-out/audio-in jack) |
| 701688-001 | Raw Panel |
| 701689-001 | Screw Kit |
| 701690-001 | Speaker assembly (includes left and right speakers and cable) |
| 701691-001 | For use only with computer models equipped with UMA memory, HM70 chipset, a Pentium 987 processor and or FreeDOS 2.0 |
| 701691-501 | For use only with computer models equipped with UMA memory, HM70 chipset, a Pentium 987 processor, and Windows 8 Standard |
| 701691-601 | For use only with computer models equipped with UMA memory, HM70 chipset, a Pentium 987 processor, and Windows 8 Professional |
| 701694-001 | System board for use only with computer models equipped with UMA memory, an HM77 chipset, an i5-3317U processor, and Ubuntu Linux or FreeDOS 2.0 |
| 701694-501 | System board for use only with computer models equipped with UMA memory, an HM77 chipset, an i5-3317U processor, and Windows 8 Standard |
| 701694-601 | System board for use only with computer models equipped with UMA memory, an HM77 chipset, an i5-3317U processor, and Windows 8 Professional |
| 701696-001 | For use only with computer models equipped with UMA memory, an HM77 chipset, an i3-3217U processor for FreeDOS 2.0 |
| 701696-501 | For use only with computer models equipped with UMA memory, an HM77 chipset, an i3-3217U processor, and Windows 8 Standard |
| 701696-601 | For use only with computer models equipped with UMA memory, an HM77 chipset, an i3-3217U processor, and Windows 8 Professional |
| 701697-001 | For use only with computer models equipped with UMA memory, an HM77 chipset, an i3-2377M processor for FreeDOS 2.0 |
| 701697-501 | For use only with computer models equipped with UMA memory, an HM77 chipset, an i3-2377M processor, and Windows 8 Standard |
| 701697-601 | For use only with computer models equipped with UMA memory, an HM77 chipset, an i3-2377M processor, and Windows 8 Professional |
| 701699-001 | For use only with computer models equipped with Discrete Graphics video memory, an HM77 chipset, an i3-3217U processor, 1 GB of dedicated video memory, and FreeDOS 2.0 |
| 701699-501 | For use only with computer models equipped with Discrete Graphics video memory, an HM77 chipset, an i3-3217U processor, 1 GB of dedicated video memory, and Windows 8 Standard |
| 701699-601 | For use only with computer models equipped with Discrete Graphics video memory, an HM77 chipset, an i3-3217U processor, 1 GB of dedicated video memory, and Windows 8 Professional |
| 701700-001 | For use only with computer models equipped with Discrete Graphics video memory, an HM77 chipset, an i3-2377M processor, 1 GB of dedicated video memory, and FreeDOS 2.0 |
| 701700-501 | For use only with computer models equipped with Discrete Graphics video memory, an HM77 chipset, an i3-2377M processor, 1 GB of dedicated video memory, and Windows 8 Standard |

| Spare part number | Description |
|--------------------------|--|
| 701700-601 | For use only with computer models equipped with Discrete Graphics video memory, an HM77 chipset, an i3-2377M processor, 1 GB of dedicated video memory, and Windows 8 Professional |
| 701702-001 | For use only with computer models equipped with Discrete Graphics video memory, an HM77 chipset, an i5-3317U processor, 2 GB of dedicated video memory, and FreeDOS 2.0 |
| 701702-501 | For use only with computer models equipped with Discrete Graphics video memory, an HM77 chipset, an i5-3317U processor, 2 GB of dedicated video memory, and Windows 8 Standard |
| 701702-601 | For use only with computer models equipped with Discrete Graphics video memory, an HM77 chipset, an i5-3317U processor, 2 GB of dedicated video memory, and Windows 8 Professional |
| 701703-001 | Top cover, ruby red (includes TouchPad) |
| 701704-001 | Top cover, sparkling black (includes TouchPad) |
| 701945-001 | Hard Drive Hardware Kit (includes hard drive bracket and bracket screws, cable, and 2 bumpers) |
| 703075-001 | RJ45 cover |
| 703714-001 | System board for use with computer models with UMA memory, HM70 chipsets, Pentium 987 processors, for FreeDOS 2.0 |
| 703714-501 | System board for use with computer models with UMA memory, HM70 chipsets, Pentium 987 processors, and Windows 8 Standard |
| 703714-601 | System board for use with computer models with UMA memory, HM70 chipsets, Pentium 987 processors, and Windows 8 Professional |
| 707767-001 | Webcam/microphone module |

4 Removal and replacement procedures

Preliminary replacement requirements


Tools required

You will need the following tools to complete the removal and replacement procedures:


- Flat-bladed screwdriver
- Magnetic screwdriver
- Phillips P0 and P1 screwdrivers

Service considerations


The following sections include some of the considerations that you must keep in mind during disassembly and assembly procedures.

 **NOTE:** As you remove each subassembly from the computer, place the subassembly (and all accompanying screws) away from the work area to prevent damage.

Plastic parts

 **CAUTION:** Using excessive force during disassembly and reassembly can damage plastic parts. Use care when handling the plastic parts. Apply pressure only at the points designated in the maintenance instructions.

Cables and connectors

 **CAUTION:** When servicing the computer, be sure that cables are placed in their proper locations during the reassembly process. Improper cable placement can damage the computer.

Cables must be handled with extreme care to avoid damage. Apply only the tension required to unseat or seat the cables during removal and insertion. Handle cables by the connector whenever possible. In all cases, avoid bending, twisting, or tearing cables. Be sure that cables are routed in such a way that they cannot be caught or snagged by parts being removed or replaced. Handle flex cables with extreme care; these cables tear easily.

Drive handling

⚠ CAUTION: Drives are fragile components that must be handled with care. To prevent damage to the computer, damage to a drive, or loss of information, observe these precautions:

Before removing or inserting a hard drive, shut down the computer. If you are unsure whether the computer is off or in Hibernation, turn the computer on, and then shut it down through the operating system.

Before handling a drive, be sure that you are discharged of static electricity. While handling a drive, avoid touching the connector.

Before removing a diskette drive, be sure that a diskette or disc is not in the drive and be sure that the optical drive tray is closed.

Handle drives on surfaces covered with at least one inch of shock-proof foam.

Avoid dropping drives from any height onto any surface.

After removing a hard drive, or a diskette drive, place it in a static-proof bag.

Avoid exposing an internal hard drive to products that have magnetic fields, such as monitors or speakers.

Avoid exposing a drive to temperature extremes or liquids.

If a drive must be mailed, place the drive in a bubble pack mailer or other suitable form of protective packaging and label the package "FRAGILE."

Grounding guidelines

Electrostatic discharge damage

Electronic components are sensitive to electrostatic discharge (ESD). Circuitry design and structure determine the degree of sensitivity. Networks built into many integrated circuits provide some protection, but in many cases, ESD contains enough power to alter device parameters or melt silicon junctions.

A discharge of static electricity from a finger or other conductor can destroy static-sensitive devices or microcircuitry. Even if the spark is neither felt nor heard, damage may have occurred.

An electronic device exposed to ESD may not be affected at all and can work perfectly throughout a normal cycle. Or the device may function normally for a while, then degrade in the internal layers, reducing its life expectancy.

⚠ CAUTION: To prevent damage to the computer when you are removing or installing internal components, observe these precautions:


Keep components in their electrostatic-safe containers until you are ready to install them.

Before touching an electronic component, discharge static electricity by using the guidelines described in this section.

Avoid touching pins, leads, and circuitry. Handle electronic components as little as possible.

If you remove a component, place it in an electrostatic-safe container.

The following table shows how humidity affects the electrostatic voltage levels generated by different activities.

 **CAUTION:** A product can be degraded by as little as 700 V.

| Typical electrostatic voltage levels | | | |
|---|--------------------------|------------|------------|
| Event | Relative humidity | | |
| | 10% | 40% | 55% |
| Walking across carpet | 35,000 V | 15,000 V | 7,500 V |
| Walking across vinyl floor | 12,000 V | 5,000 V | 3,000 V |
| Motions of bench worker | 6,000 V | 800 V | 400 V |
| Removing DIPS from plastic tube | 2,000 V | 700 V | 400 V |
| Removing DIPS from vinyl tray | 11,500 V | 4,000 V | 2,000 V |
| Removing DIPS from Styrofoam | 14,500 V | 5,000 V | 3,500 V |
| Removing bubble pack from PCB | 26,500 V | 20,000 V | 7,000 V |
| Packing PCBs in foam-lined box | 21,000 V | 11,000 V | 5,000 V |

Packaging and transporting guidelines

Follow these grounding guidelines when packaging and transporting equipment:

- To avoid hand contact, transport products in static-safe tubes, bags, or boxes.
- Protect ESD-sensitive parts and assemblies with conductive or approved containers or packaging.
- Keep ESD-sensitive parts in their containers until the parts arrive at static-free workstations.
- Place items on a grounded surface before removing items from their containers.
- Always be properly grounded when touching a component or assembly.
- Store reusable ESD-sensitive parts from assemblies in protective packaging or nonconductive foam.
- Use transporters and conveyors made of antistatic belts and roller bushings. Be sure that mechanized equipment used for moving materials is wired to ground and that proper materials are selected to avoid static charging. When grounding is not possible, use an ionizer to dissipate electric charges.

Workstation guidelines

Follow these grounding workstation guidelines:

- Cover the workstation with approved static-shielding material.
- Use a wrist strap connected to a properly grounded work surface and use properly grounded tools and equipment.
- Use conductive field service tools, such as cutters, screwdrivers, and vacuums.
- When fixtures must directly contact dissipative surfaces, use fixtures made only of static-safe materials.
- Keep the work area free of nonconductive materials, such as ordinary plastic assembly aids and Styrofoam.
- Handle ESD-sensitive components, parts, and assemblies by the case or PCM laminate. Handle these items only at static-free workstations.
- Avoid contact with pins, leads, or circuitry.
- Turn off power and input signals before inserting or removing connectors or test equipment.

Equipment guidelines

Grounding equipment must include either a wrist strap or a foot strap at a grounded workstation.

- When seated, wear a wrist strap connected to a grounded system. Wrist straps are flexible straps with a minimum of one megohm $\pm 10\%$ resistance in the ground cords. To provide proper ground, wear a strap snugly against the skin at all times. On grounded mats with banana-plug connectors, use alligator clips to connect a wrist strap.
- When standing, use foot straps and a grounded floor mat. Foot straps (heel, toe, or boot straps) can be used at standing workstations and are compatible with most types of shoes or boots. On conductive floors or dissipative floor mats, use foot straps on both feet with a minimum of one megohm resistance between the operator and ground. To be effective, the conductive must be worn in contact with the skin.

The following grounding equipment is recommended to prevent electrostatic damage:

- Antistatic tape
- Antistatic smocks, aprons, and sleeve protectors
- Conductive bins and other assembly or soldering aids
- Nonconductive foam
- Conductive tabletop workstations with ground cords of one megohm resistance
- Static-dissipative tables or floor mats with hard ties to the ground
- Field service kits
- Static awareness labels
- Material-handling packages
- Nonconductive plastic bags, tubes, or boxes
- Metal tote boxes
- Electrostatic voltage levels and protective materials

The following table lists the shielding protection provided by antistatic bags and floor mats.

| Material | Use | Voltage protection level |
|-----------------------|------------|--------------------------|
| Antistatic plastics | Bags | 1,500 V |
| Carbon-loaded plastic | Floor mats | 7,500 V |
| Metallized laminate | Floor mats | 5,000 V |

Component replacement procedures

This chapter provides removal and replacement procedures.

There may be as many as 79 screws that must be removed, replaced, or loosened when servicing the computer. Make special note of each screw and screw lock size and location during removal and replacement.

Battery

| Description | Spare part number |
|--|-------------------|
| 4 cell, 37 Whr, 2.55 Ah Li-ion battery | 695192-001 |

Before disassembling the computer, follow these steps:


1. Shut down the computer.
2. Disconnect all external devices connected to the computer.
3. Disconnect the power from the computer by first unplugging the power cord from the AC outlet and then unplugging the AC adapter from the computer.

Remove the battery:

1. Turn the computer upside down on a flat surface.
2. Slide the battery release lock **(1)** far enough that it rests in the unlocked position.
3. Slide the battery release latch **(2)** to release the battery.
4. Slide the battery **(3)** from the middle to remove it from the computer.



To insert the battery reverse these procedures.

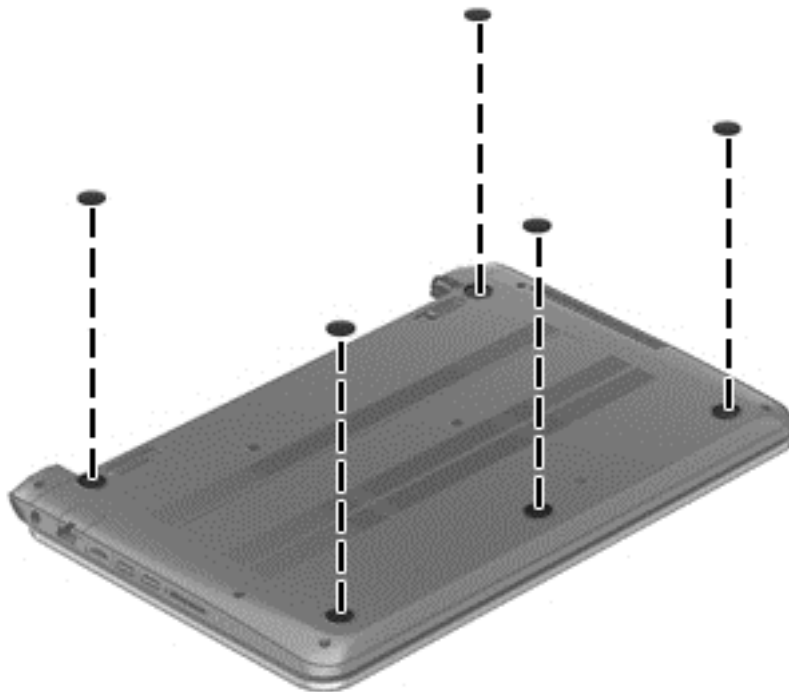
 **NOTE:** The battery release latch will automatically lock into place.

Reset the battery release lock to the locked position.

Computer feet

| Description | Spare part number |
|------------------------|-------------------|
| Rubber Feet Kit | 697906-001 |

The computer feet are adhesive-backed rubber pads. There are 5 rubber feet that attach to the base enclosure in the locations illustrated below.



Display panel


| Description | Spare part number |
|--|-------------------|
| Display bezel | 701680-0011 |
| 39.6 cm (15.0 in), HD, WLED, SVA BrightView display panel | 701688-001 |



IMPORTANT: Make special note of each screw and screw lock size and location during removal and replacement.

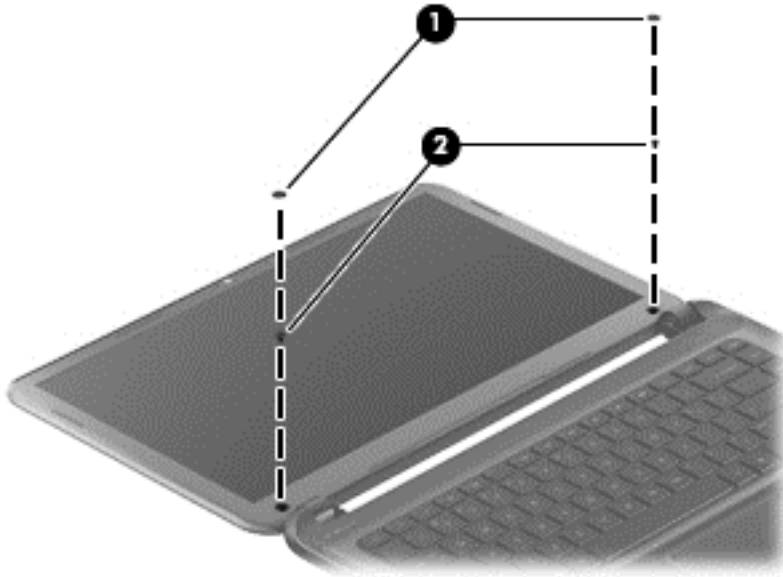
Before removing the display panel, follow these steps:

1. Shut down the computer.
2. Disconnect all external devices connected to the computer.
3. Disconnect the power from the computer by first unplugging the power cord from the AC outlet and then unplugging the AC adapter from the computer.
4. Remove the battery (see [Battery on page 32](#)).

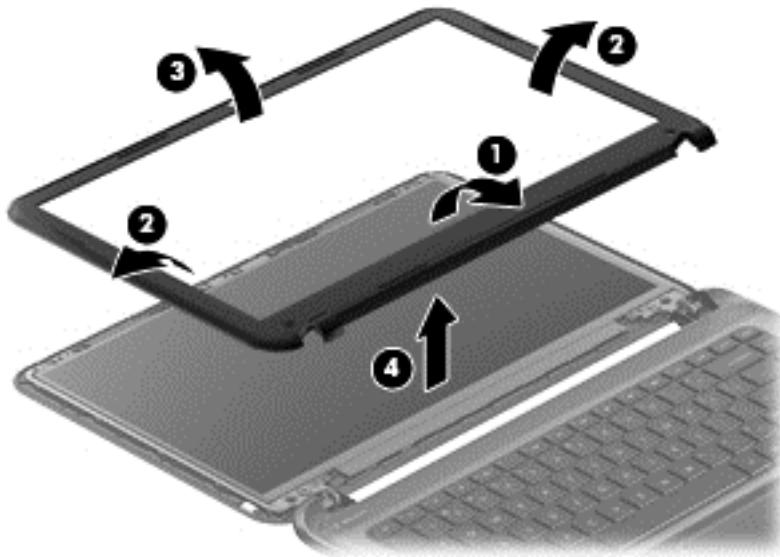
 **NOTE:** To replace the entire display assembly, additional steps are required (see [Display Assembly on page 68](#)).

Remove the panel:

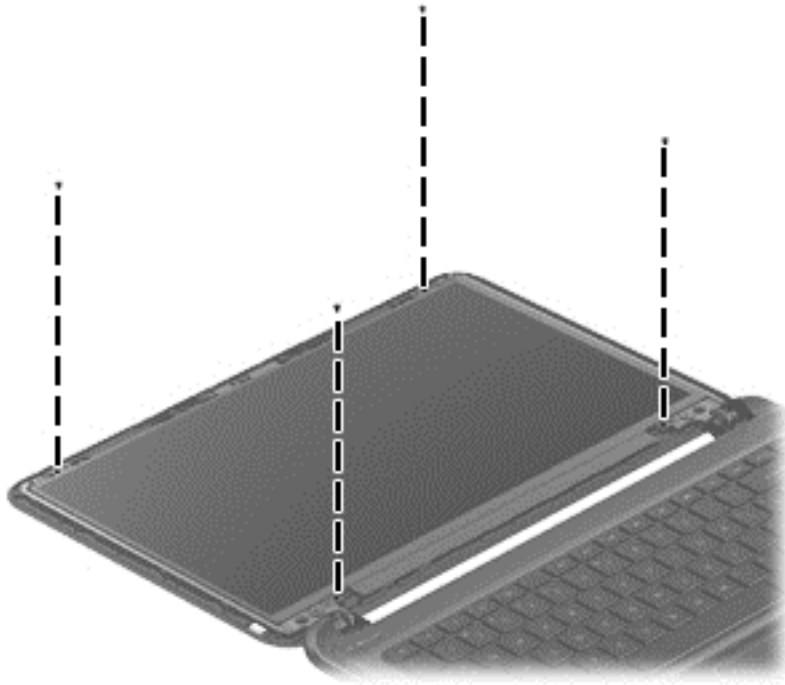
1. Remove the plastic screw covers **(1)** and the two Phillips screws **(2)** that secure the display bezel to the display assembly.




2. Flex the inside edges of the bottom edge **(1)**, the left and right sides **(2)**, and the top edge **(3)** of the display bezel until the bezel disengages from the display enclosure.
3. Remove the display bezel **(4)**.



4. Remove the four Phillips screws for the display panel.



5. Move the panel toward the keyboard **(1)**.

 **NOTE:** Support the display panel as you lean the panel forward.

6. Release the adhesive support strip **(2)** that secures the display panel cable connector to the display panel.
7. Disconnect the display panel cable **(3)** from the display panel, and then remove the panel **(4)**.




Reverse this procedure to replace the panel.

Keyboard



NOTE: The keyboard spare part kit includes a keyboard cable.

| Description | Spare part number |
|---------------------------------|-------------------|
| Black keyboard: | |
| • For use in Canada | 701684-DB1 |
| • For use in France | 701684-051 |
| • For use in Germany | 701684-041 |
| • For use internationally | 701684-B31 |
| • For use in Israel | 701684-BB1 |
| • For use in Japan | 701684-291 |
| • For use in Latin America | 701684-161 |
| • For use in Nordic countries | 701684-DH1 |
| • For use in Portugal | 701684-131 |
| • For use in Saudi Arabia | 701684-171 |
| • For use in Spain | 701684-071 |
| • For use in South Korea | 701684-AD1 |
| • For use in Taiwan | 701684-AB1 |
| • For use in Thailand | 701684-281 |
| • For use in Turkey | 701684-141 |
| • For use in the United Kingdom | 701684-031 |
| • For use in the United States | 701684-001 |
| • For use in Italy | 701684-061 |
| • For use in Greece | 701684-151 |
| • For use in Hungary | 701684-211 |
| • For use in Russia | 701684-251 |
| • For use in Bulgaria | 701684-261 |
| • For use in Romania | 701684-271 |
| • For use in Belgium | 701684-A41 |
| • For use in Slovenia | 701684-BA1 |
| • For use in Switzerland | 701684-BG1 |
| • For use in the Czech Republic | 701684-FL1 |

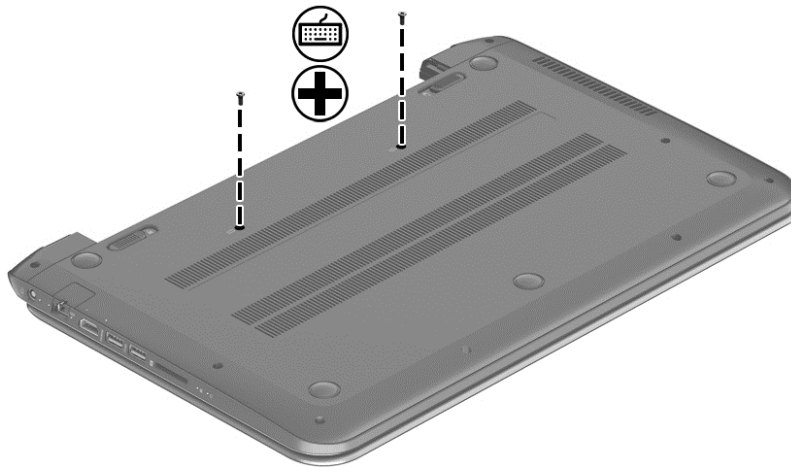
 **IMPORTANT:** Make special note of each screw and screw lock size and location during removal and replacement.

Before removing the keyboard, follow these steps:

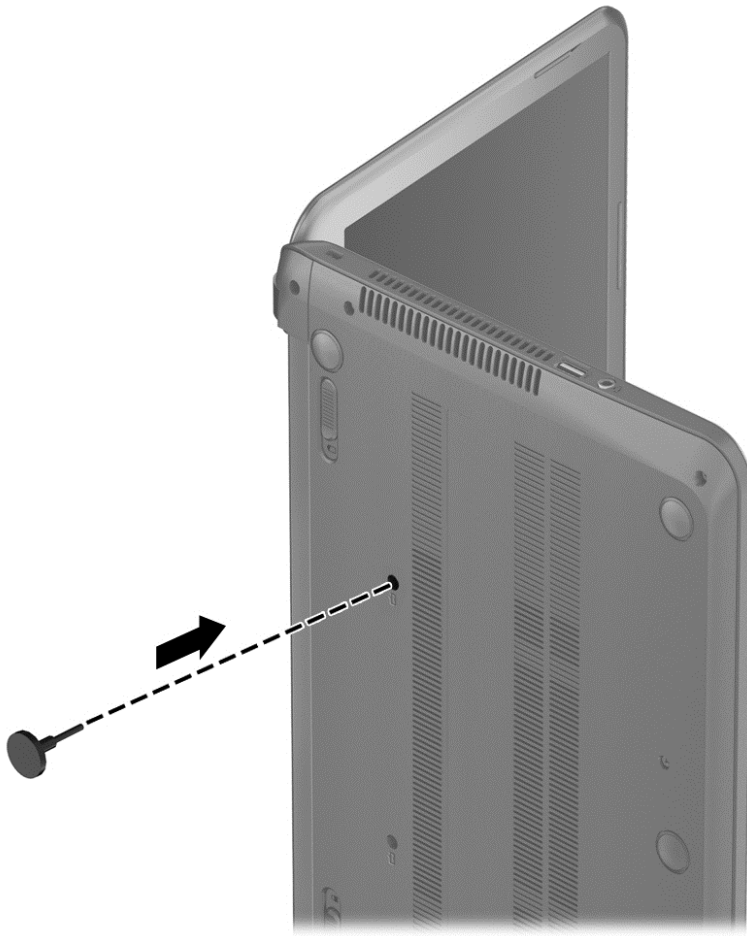
1. Shut down the computer.
2. Disconnect all external devices connected to the computer.
3. Disconnect the power from the computer by first unplugging the power cord from the AC outlet and then unplugging the AC adapter from the computer.
4. Remove the battery (see [Battery on page 32](#)).

Remove the keyboard:

1. Remove the two Phillips screws that secure the keyboard to the computer.



2. Turn the computer right-side up with the front toward you. Open the display and stand the computer on its right side. Insert a thin tool through the keyboard access hole. (The keyboard icon indicates the keyboard access hole.) Push firmly on the bottom of the keyboard until it disengages from the computer.

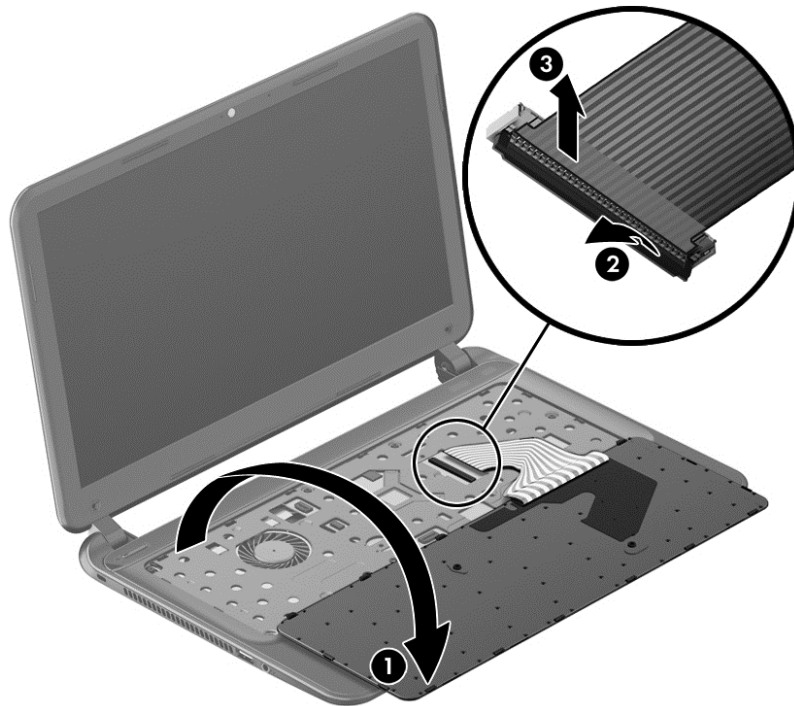


3. Turn the computer right-side up with the front toward you and open the display.

4. Gently slide your finger along the top edge of the keyboard to release the keyboard clips. Lift up on the rear of the keyboard.




5. Tilt the keyboard forward **(1)** onto the palm rest. Release the zero insertion force (ZIF) connector **(2)** to which the keyboard cable is attached, and then disconnect the keyboard cable **(3)** from the system board.




6. Remove the keyboard.

Reverse this procedure to install the keyboard.

Top cover

 **NOTE:** The top cover spare part kit includes the TouchPad support, TouchPad board and TouchPad cable.

| Description | Spare part number |
|----------------------------------|-------------------|
| Ruby red top cover | 701703-001 |
| Sparkling black top cover | 701704-001 |
| TouchPad button board | 701685-001 |

 **IMPORTANT:** Make special note of each screw and screw lock size and location during removal and replacement.

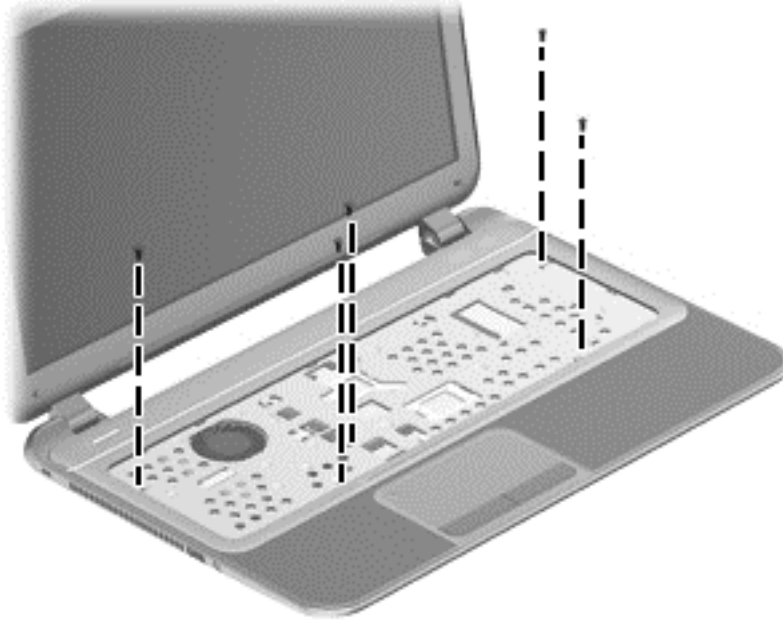
Before removing the top cover, follow these steps:

1. Shut down the computer.
2. Disconnect all external devices connected to the computer.
3. Disconnect the power from the computer by first unplugging the power cord from the AC outlet and then unplugging the AC adapter from the computer.

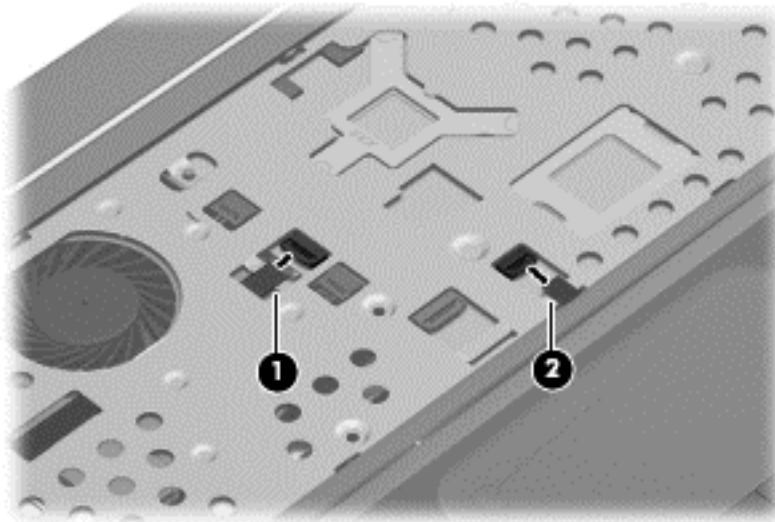
4. Remove the battery (see [Battery on page 32](#)).
5. Remove the keyboard (see [Keyboard on page 36](#)).

Remove the top cover:

1. Remove the five Phillips screws that secure the top cover to the base enclosure.

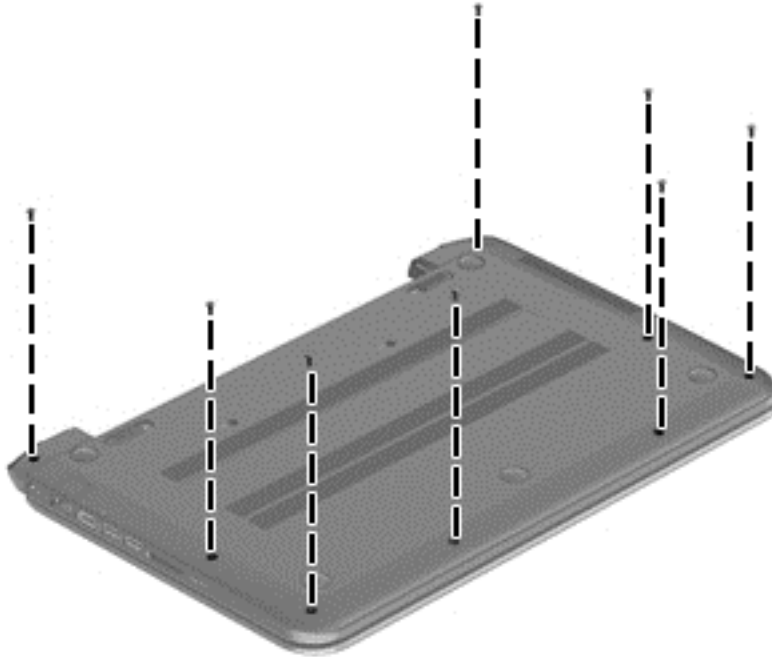


2. Disconnect the power button cable **(1)** and the TouchPad cable **(2)**.

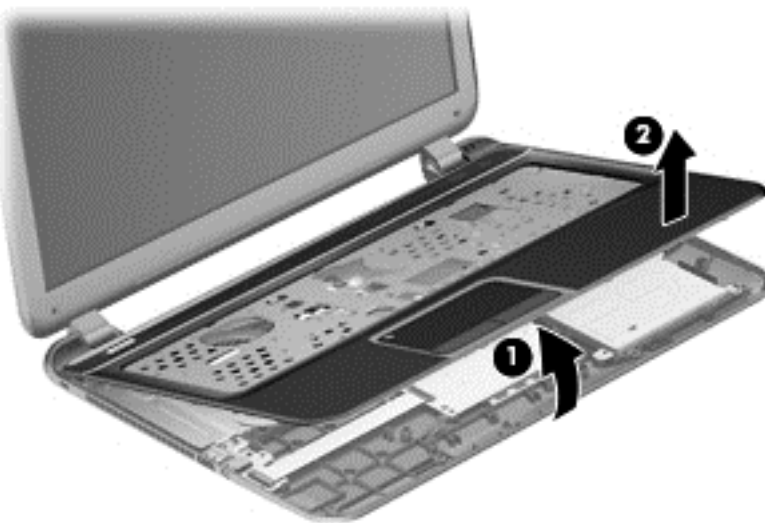


3. Close the display and turn the computer upside down.

4. Remove the eight Phillips screws from the bottom of the computer.



5. Turn the computer over and open the display.
6. Gently lift around the edges of the top cover **(1)** and lift to remove the top cover **(2)**.




When replacing the top cover, be sure that the following components are removed from the defective top cover and installed on the replacement top cover:

- Power button board and cable (see [Power button board on page 43](#)).

Reverse this procedure to install the top cover.

Power button board

| Description | Spare part number |
|--|-------------------|
| Power button board (includes cable) | 701686-001 |

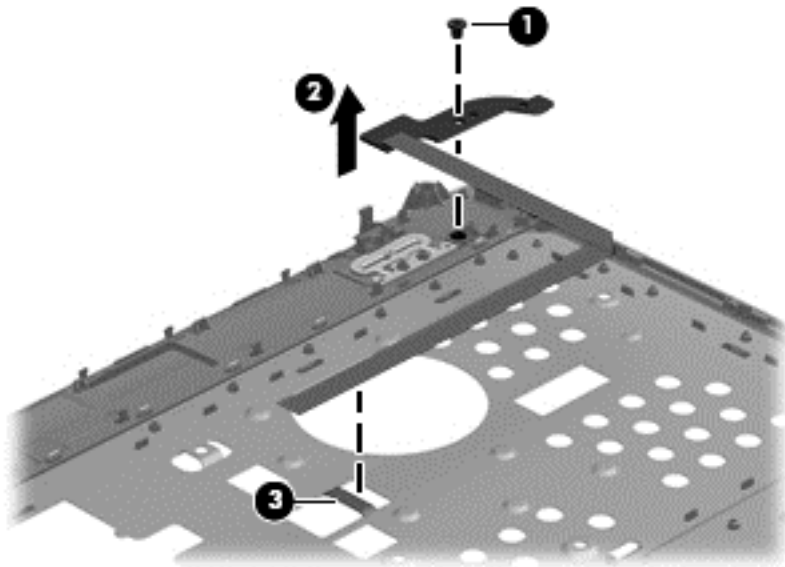
 **IMPORTANT:** Make special note of each screw and screw lock size and location during removal and replacement.

Before removing the power button board, follow these steps:

1. Shut down the computer.
2. Disconnect all external devices connected to the computer.
3. Disconnect the power from the computer by first unplugging the power cord from the AC outlet and then unplugging the AC adapter from the computer.
4. Remove the battery (see [Battery on page 32](#)).
5. Remove the keyboard (see [Keyboard on page 36](#)).
6. Remove the top cover (see [Top cover on page 40](#)).


Remove the power button board:

1. Turn the top cover upside down, with the front toward you.
2. Remove the Phillips screw **(1)** and tape that secure the power button board to the top cover.
3. Release the clips, lift the power button board **(2)**, and carefully slide the power button cable out from the guides **(3)** to remove the power button board.




Reverse this procedure to install the power button board.

Hard drive

 **NOTE:** The hard drive spare part kit does not include the hard drive cable, or hard drive bracket and screws.

| Description | Spare part number |
|---|-------------------|
| 9.5 mm (0.37 in) × 6.35 cm (2.50 in) SATA | |
| 1 TB, 5400 rpm | 676521-005 |
| 750 GB, 7200 rpm | 633252-005 |
| 750 GB, 5400 rpm | 634250-005 |
| 640 GB, 5400 rpm | 669300-005 |
| 500 GB, 7200 rpm | 634925-005 |
| 500 GB, 5400 rpm | 669299-005 |
| 320 GB, 5400 rpm | 622643-005 |
| Hard Drive Hardware Kit (includes hard drive cable, and hard drive bracket and screws) | 701945-001 |

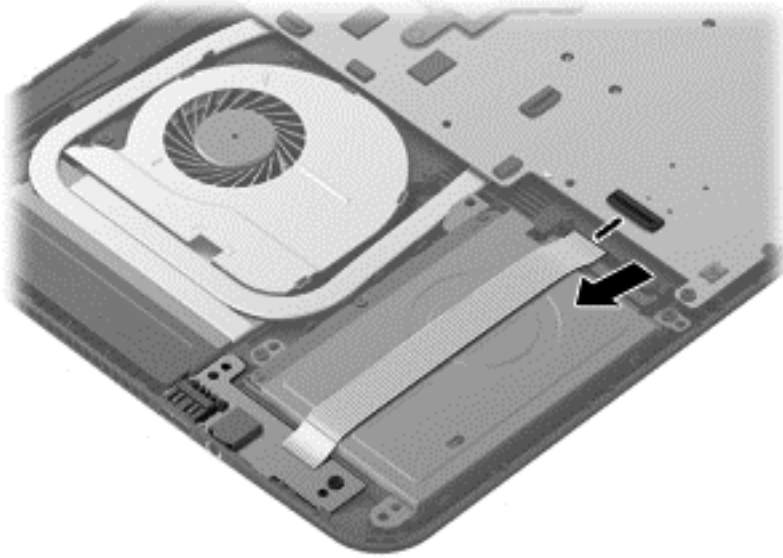
 **IMPORTANT:** Make special note of each screw and screw lock size and location during removal and replacement.


Before removing the hard drive, follow these steps:

1. Shut down the computer.
2. Disconnect all external devices connected to the computer.
3. Disconnect the power from the computer by first unplugging the power cord from the AC outlet and then unplugging the AC adapter from the computer.
4. Remove the battery (see [Battery on page 32](#)).
5. Remove the keyboard (see [Keyboard on page 36](#)).
6. Remove the top cover (see [Top cover on page 40](#)).

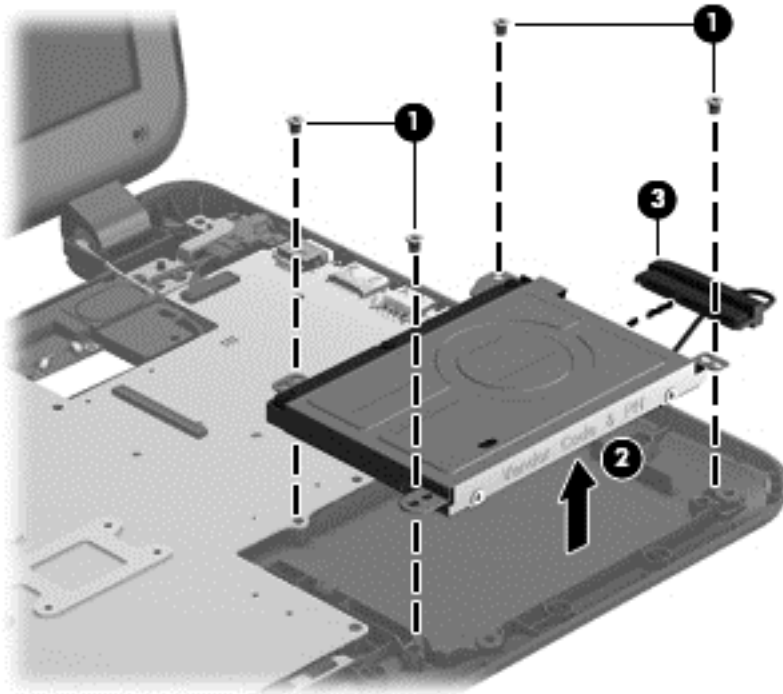
Remove the hard drive:

1. Disconnect the USB cable on top of the hard drive from the computer.

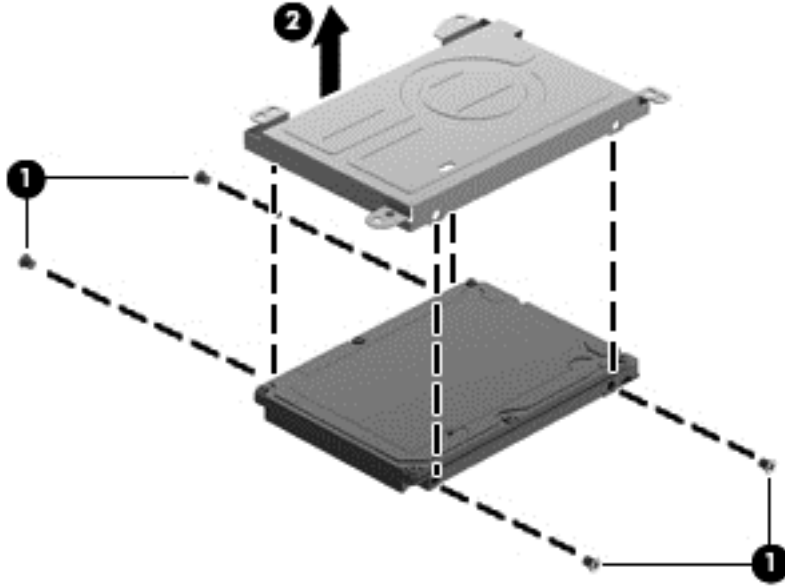


 **NOTE:** If it is necessary to replace the hard drive cable, see [System board on page 51](#).

2. Remove the two Phillips screws (1). Lift the hard drive (2) to remove and disconnect the hard drive cable (3).




3. Remove the four Phillips screws **(1)**, and then remove the bracket **(2)** from the hard drive.



To install a hard drive, reverse the removal procedure.

USB board/Audio jack


| Description | Spare part number |
|---|-------------------|
| USB board (includes cable and audio-out/audio-in jack) | 701687-001 |

 **IMPORTANT:** Make special note of each screw and screw lock size and location during removal and replacement.

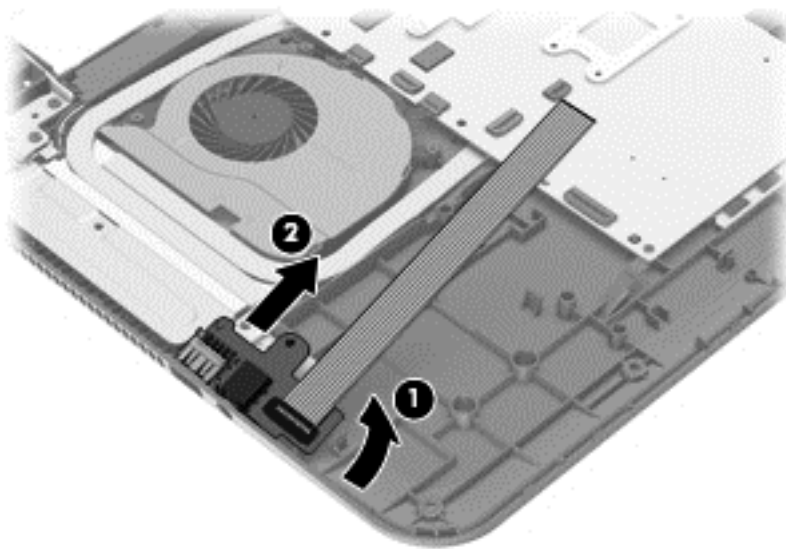
Before removing the USB board, follow these steps:

1. Shut down the computer.
2. Disconnect all external devices connected to the computer.
3. Disconnect the power from the computer by first unplugging the power cord from the AC outlet and then unplugging the AC adapter from the computer.
4. Remove the battery (see [Battery on page 32](#)).
5. Remove the keyboard (see [Keyboard on page 36](#)).
6. Remove the top cover (see [Top cover on page 40](#)).
7. Remove the hard drive (see [Hard drive on page 44](#)).

Remove the USB board:

 **NOTE:** One side of the USB cable lays across the hard drive. It is disconnected during the hard drive removal process.

1. Remove the screw **(1)** and gently lift the USB board up **(2)**.
2. Slide the USB board out to remove it.



Reverse this procedure to install the USB board.

WLAN module

| Description | Spare part number |
|--|-------------------|
| Intel Centrino Wireless-N 2230 802.11 b/g/n 2x2 WiFi and Bluetooth 4.0 combination adapter, for use with computers with Intel processors | 670290-005 |
| Qualcomm Atheros AR9485 802.11 b/g/n 1x1 WiFi Adapter | 675794-005 |
| Qualcomm Atheros AR9565 802.11 b/g/n 1x1 WiFi and Bluetooth 4.0 Combo Adapter for use with computers with Intel processors, not supported on Ubuntu Linux, (select models only) | 690019-005 |
| Ralink RT3290LE 802.11 b/g/n 1x1 WiFi and Bluetooth 4.0 Combo Adapter (select models only) | 690020-005 |
| Ralink RT5390R 802.11 b/g/n 1x1 WiFi Adapter (select models only) | 691415-005 |



IMPORTANT: Make special note of each screw and screw lock size and location during removal and replacement.




CAUTION: To prevent an unresponsive system, replace the wireless module only with a wireless module authorized for use in the computer by the governmental agency that regulates wireless devices in your country or region. If you replace the module and then receive a warning message, remove the module to restore device functionality, and then contact technical support.

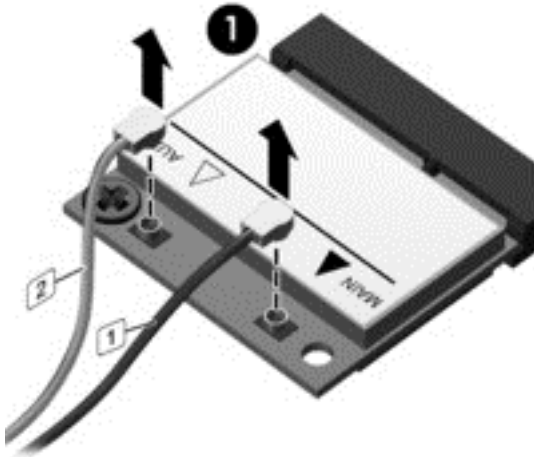
Before removing the WLAN module, follow these steps:

1. Shut down the computer.
2. Disconnect all external devices connected to the computer.
3. Disconnect the power from the computer by first unplugging the power cord from the AC outlet and then unplugging the AC adapter from the computer.
4. Remove the battery (see [Battery on page 32](#)).
5. Remove the keyboard (see [Keyboard on page 36](#)).
6. Remove the top cover (see [Top cover on page 40](#)).

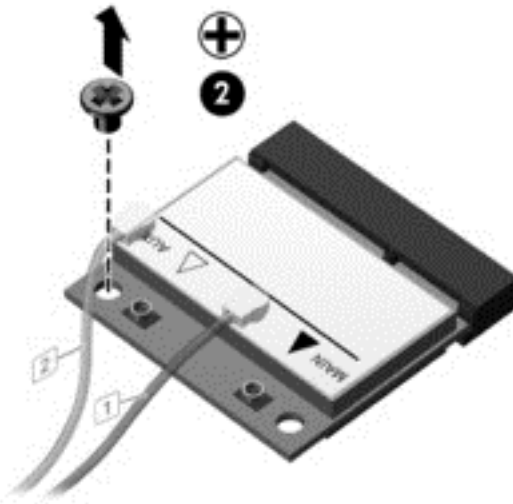
Remove the WLAN module:

1. Disconnect the WLAN antenna cables **(1)** from the terminals on the WLAN module.


 **NOTE:** The 1/black WLAN antenna cable is connected to the WLAN module 1/Main terminal. The 2/white WLAN antenna cable is connected to the WLAN module 2/Aux terminal.

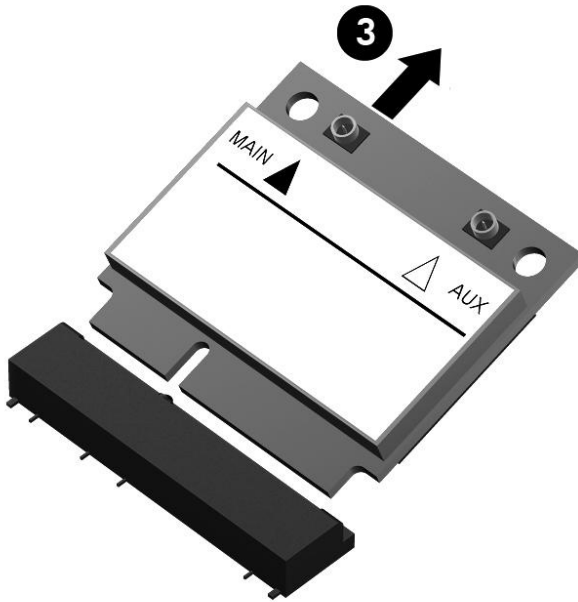



2. Remove the Phillips screw **(2)** that secures the WLAN module to the system board. (The WLAN module tilts up.)

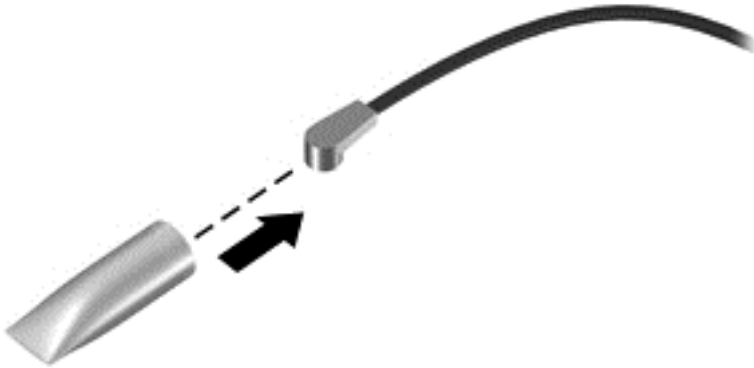


3. Remove the WLAN module by pulling the module away from the slot at an angle **(3)**.

 **NOTE:** The WLAN module is designed with a notch to prevent incorrect installation into the WLAN module socket.



 **NOTE:** If the WLAN antennas are not connected to the terminals on the WLAN module, the protective sleeves should be installed on the antenna connectors, as shown in the following illustration.



Reverse this procedure to install the WLAN module.

System board



NOTE: The system board Thermal Material Kit, part number 680571-001, includes replacement thermal paste and pads.

| Description | Spare part number |
|---|-------------------|
| System boards supporting switchable discrete graphics | |
| For use with computer models with HM77 chipsets, i5-3317U processors and 2 GB of dedicated video memory: | |
| • For Windows 8 Professional | 701702-601 |
| • For Windows 8 Standard | 701702-501 |
| • For FreeDOS 2.0 | 701702-001 |
| For use with computer models with HM77 chipsets, i3-3217U processors, and 1 GB of dedicated video memory: | |
| • For Windows 8 Professional | 701699-601 |
| • For Windows 8 Standard | 701699-501 |
| • For FreeDOS 2.0 | 701699-001 |
| For use with computer models with HM77 chipsets, i3-2377M processors, and 1 GB of dedicated video memory: | |
| • For Windows 8 Professional | 701700-601 |
| • For Windows 8 Standard | 701700-501 |
| • For FreeDOS 2.0 | 701700-001 |
| System boards supporting UMA graphics and Intel processors | |
| For use with computer models with HM77 chipsets and i5-3317U processors: | |
| • For Windows 8 Professional | 701694-601 |
| • For Windows 8 Standard | 701694-501 |
| • For Ubuntu Linux or FreeDOS 2.0 | 701694-001 |
| For use with computer models with HM77 chipsets and i3-3217U processors: | |
| • For Windows 8 Professional | 701696-601 |
| • For Windows 8 Standard | 701696-501 |
| • For Ubuntu Linux or FreeDOS 2.0 | 701696-001 |
| For use with computer models with HM77 chipsets and i3-2377M processors: | |
| • For Windows 8 Professional | 701697-601 |
| • For Windows 8 Standard | 701697-501 |
| • For Ubuntu Linux or FreeDOS 2.0 | 701697-001 |
| For use with computer models with HM70 chipsets and Pentium 997 processors: | |

| Description | Spare part number |
|---|-------------------|
| <ul style="list-style-type: none"> For Windows 8 Professional | 703714-601 |
| <ul style="list-style-type: none"> For Windows 8 Standard | 703714-501 |
| <ul style="list-style-type: none"> For Ubuntu Linux or FreeDOS 2.0 | 703714-001 |
| For use with computer models with HM70 chipsets and Pentium 987 processors: | |
| <ul style="list-style-type: none"> For Windows 8 Professional | 701691-601 |
| <ul style="list-style-type: none"> For Windows 8 Standard | 701691-501 |
| <ul style="list-style-type: none"> For Ubuntu Linux or FreeDOS 2. | 701691-001 |



IMPORTANT: Make special note of each screw and screw lock size and location during removal and replacement.


Before removing the system board, follow these steps:

1. Shut down the computer.
2. Disconnect all external devices connected to the computer.
3. Disconnect the power from the computer by first unplugging the power cord from the AC outlet and then unplugging the AC adapter from the computer.
4. Remove the battery (see [Battery on page 32](#)).
5. Remove the keyboard (see [Keyboard on page 36](#)).
6. Remove the top cover (see [Top cover on page 40](#)).
7. Remove the hard drive (see [Hard drive on page 44](#)).
8. Remove the USB board (see [USB board/Audio jack on page 47](#)).
9. Remove the WLAN (see [WLAN module on page 48](#)).

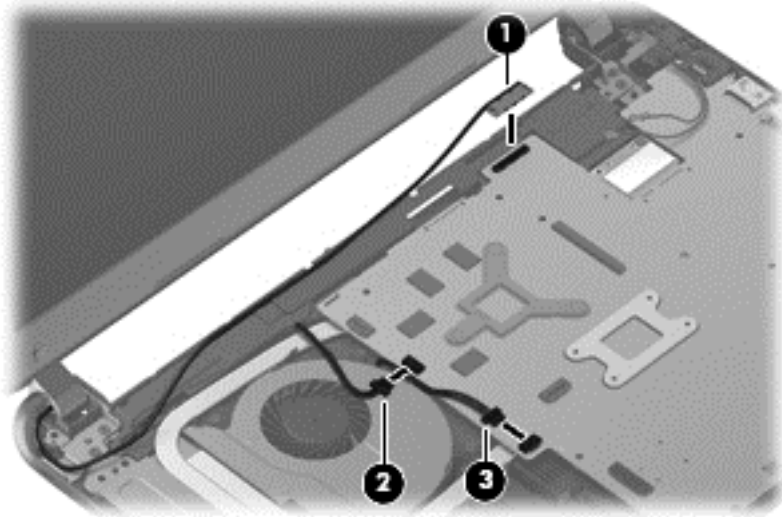
After removing the system board, be sure that the following components are removed from the defective system board and installed on the replacement system board:

- Memory module (see [Memory module on page 55](#))
- RTC battery (see [RTC battery on page 57](#))
- Heat sink (see [Heat sink on page 62](#))
- PCH heat sink (see [PCH heat sink on page 61](#))
- mSATA solid-state drive (see [mSATA solid-state drive on page 59](#))

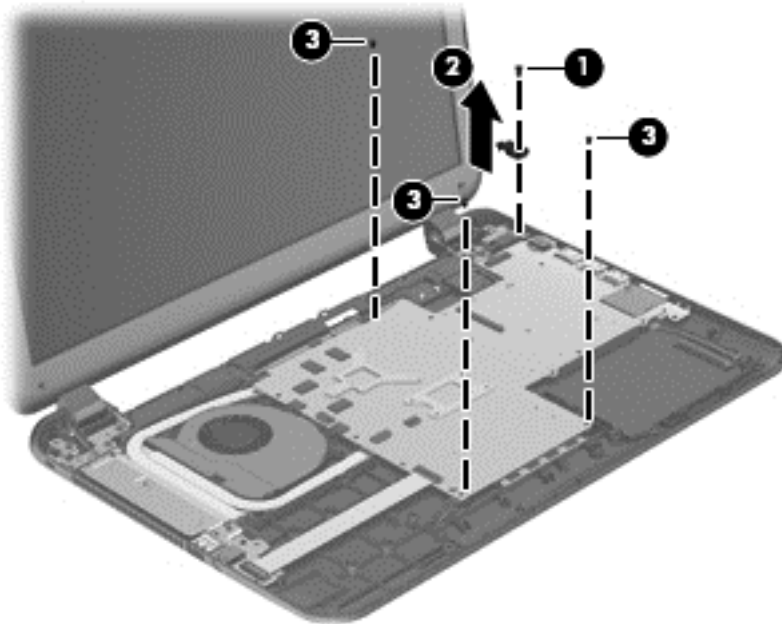
Remove the system board:

 **NOTE:** The heat sink on your system board may appear different from the heat sink shown.

1. Disconnect the following cables from the system board:
 - (1) Display panel cable
 - (2) Speaker cable
 - (3) Fan power connector

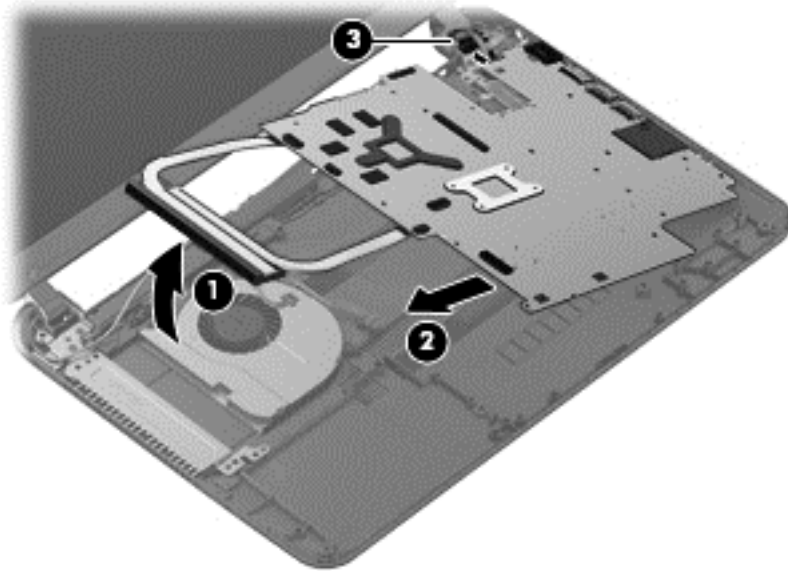


2. Remove the power connector bracket Phillips screw (1) and remove the power connector bracket (2).
3. Remove the two Phillips screws (3) that secure the system board to the base enclosure.

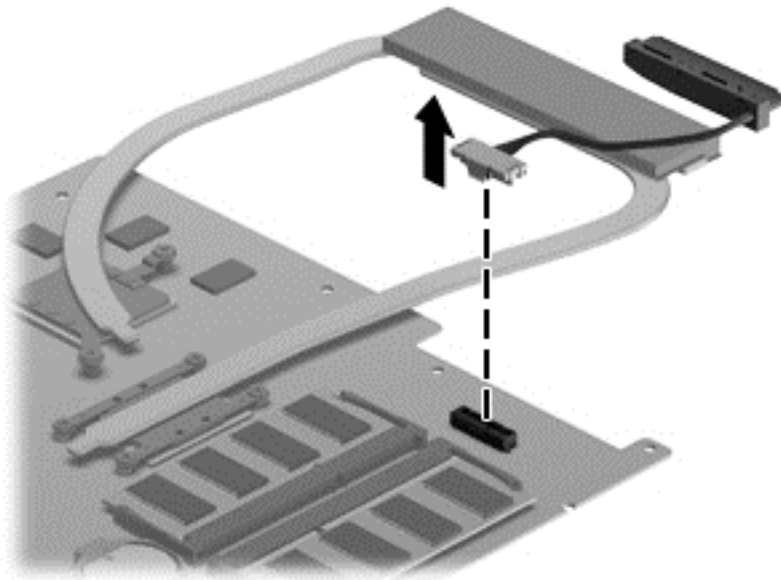


4. Lift the left side of the system board (1) until it rests at an angle.
5. Remove the system board by sliding it up and to the left at an angle (2).

6. Disconnect the power connector cable (3).





7. Remove the hard drive cable:
 - a. Turn the system board upside down, with the front toward you.
 - b. Disconnect the hard drive cable from the system board.




Reverse this procedure to install the system board.

Memory module

 **WARNING!** To reduce the risk of electric shock and damage to the equipment, unplug the power cord and remove all batteries before installing a memory module.

 **CAUTION:** Electrostatic discharge (ESD) can damage electronic components. Before beginning any procedure, ensure that you are discharged of static electricity by touching a grounded metal object.

| Description | Spare part number |
|--|-------------------|
| 4 GB (DDR3-1600 MHz, PC3-12800) | 641369-005 |
| 2 GB (DDR3-1600 MHz, PC3-12800) | 652972-005 |

 **IMPORTANT:** Make special note of each screw and screw lock size and location during removal and replacement.

Before removing a memory module, follow these steps:

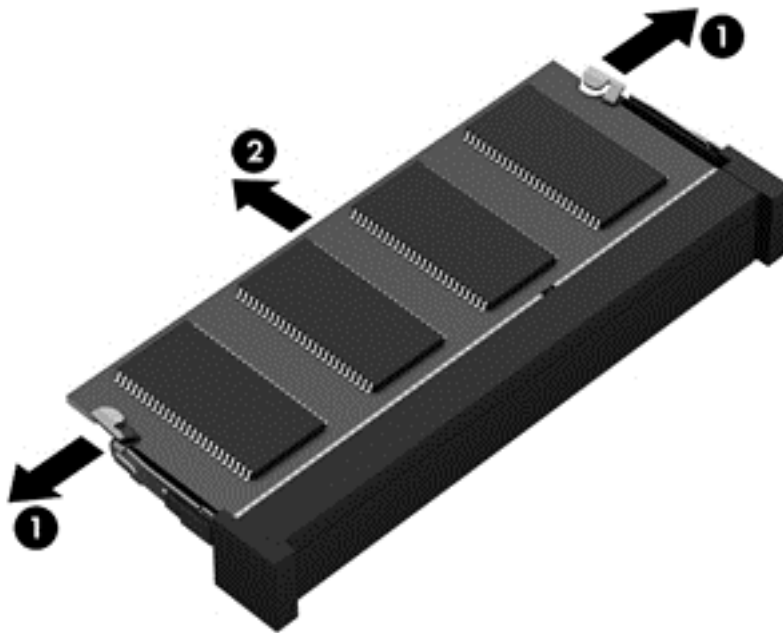
1. Shut down the computer.
2. Disconnect all external devices connected to the computer.
3. Disconnect the power from the computer by first unplugging the power cord from the AC outlet and then unplugging the AC adapter from the computer.
4. Remove the battery (see [Battery on page 32](#)).
5. Remove the keyboard (see [Keyboard on page 36](#)).
6. Remove the top cover (see [Top cover on page 40](#)).
7. Remove the hard drive (see [Hard drive on page 44](#)).
8. Remove the USB board (see [USB board/Audio jack on page 47](#)).
9. Remove the WLAN (see [WLAN module on page 48](#)).
10. Remove the system board (see [System board on page 51](#)).

To add or replace a memory module:

1. Turn the system board upside down to access the memory module.
2. Spread the retention clips **(1)** on each side of the memory module slot to release the memory module. (The memory module tilts up.)

3. Remove the memory module **(2)** by pulling it away from the slot at an angle.

⚠ CAUTION: To prevent damage to the memory module, hold the memory module by the edges only. Do not touch the components on the memory module.




⚠ CAUTION: To protect a memory module after removal, place it in an electrostatic-safe container.

Reverse these procedures to replace the memory module.

RTC battery

| Description | Spare part number |
|-------------|-------------------|
| RTC battery | 697917-001 |

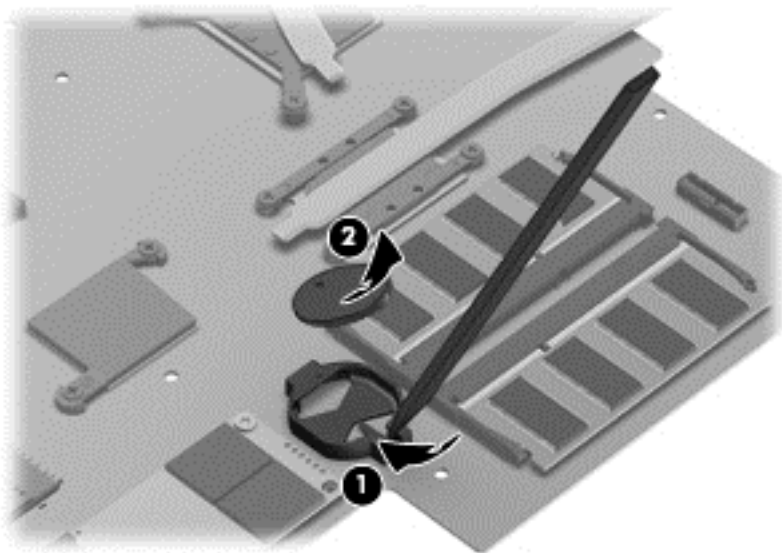
 **IMPORTANT:** Make special note of each screw and screw lock size and location during removal and replacement.

Before removing the RTC battery, follow these steps:

1. Shut down the computer.
2. Disconnect all external devices connected to the computer.
3. Disconnect the power from the computer by first unplugging the power cord from the AC outlet and then unplugging the AC adapter from the computer.
4. Remove the battery (see [Battery on page 32](#)).
5. Remove the keyboard (see [Keyboard on page 36](#)).
6. Remove the top cover (see [Top cover on page 40](#)).
7. Remove the hard drive (see [Hard drive on page 44](#)).
8. Remove the USB board (see [USB board/Audio jack on page 47](#)).
9. Remove the WLAN (see [WLAN module on page 48](#)).
10. Remove the system board (see [System board on page 51](#)).

Remove the RTC battery:

1. Turn the system board upside down, with the front toward you.
2. Remove the RTC battery **(1)** by pressing down with a thin plastic tool or your finger. The battery is spring loaded and will pop up. Lift and remove the RTC battery **(2)**.



Reverse this procedure to install the RTC battery.

mSATA solid-state drive

| Description | Spare part number |
|--|-------------------|
| mSATA solid-state drive, 32 GB drive (for use with computers with Intel Core processors, not supported on Ubuntu Linux) | 698524-001 |



IMPORTANT: Make special note of each screw and screw lock size and location during removal and replacement.


Before removing the mSATA solid state drive, follow these steps:

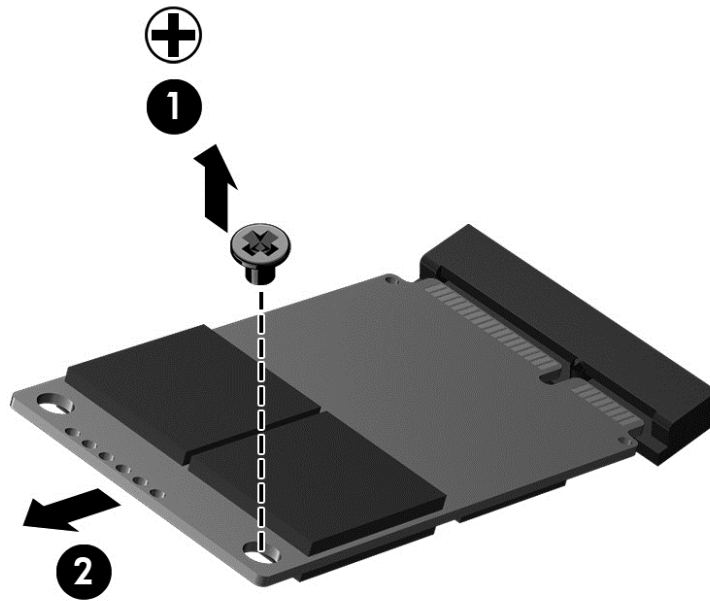
1. Shut down the computer.
2. Disconnect all external devices connected to the computer.
3. Disconnect the power from the computer by first unplugging the power cord from the AC outlet and then unplugging the AC adapter from the computer.
4. Remove the battery (see [Battery on page 32](#)).
5. Remove the keyboard (see [Keyboard on page 36](#)).
6. Remove the top cover (see [Top cover on page 40](#)).
7. Remove the hard drive (see [Hard drive on page 44](#)).
8. Remove the USB board (see [USB board/Audio jack on page 47](#)).
9. Remove the WLAN (see [WLAN module on page 48](#)).
10. Remove the system board (see [System board on page 51](#)).

Remove the mSATA drive:

1. Turn the system board upside down, with the front toward you.

2. Remove the Phillips screw **(1)** and slide out the mSATA solid-state drive **(2)**.


 **NOTE:** The drive tilts up to remove. The drive also has a notch that you line up to ensure it is installed correctly.



Reverse this procedure to install the mSATA drive onto a replacement system board.

PCH heat sink

| Description | Spare part number |
|---------------|-------------------|
| PCH heat sink | 699248-001 |

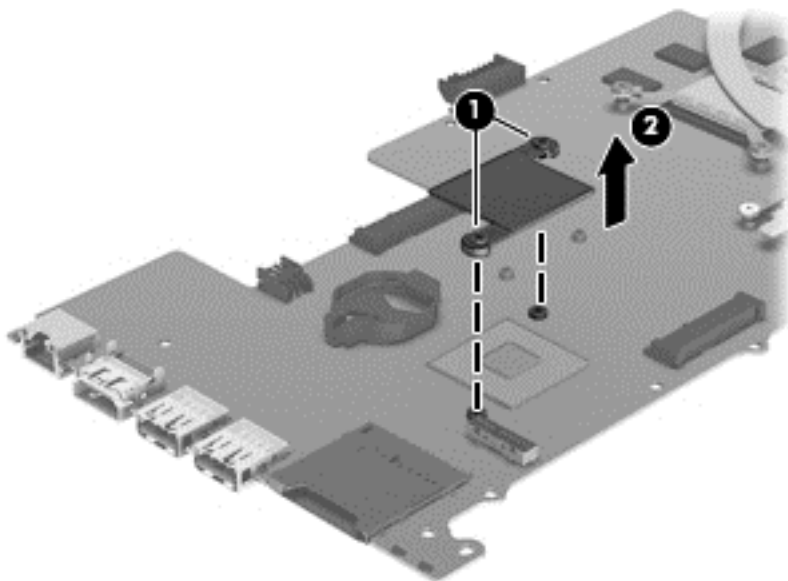
 **IMPORTANT:** Make special note of each screw and screw lock size and location during removal and replacement.

Before removing the PCH heat sink, follow these steps:

1. Shut down the computer.
2. Disconnect all external devices connected to the computer.
3. Disconnect the power from the computer by first unplugging the power cord from the AC outlet and then unplugging the AC adapter from the computer.
4. Remove the battery (see [Battery on page 32](#)).
5. Remove the keyboard (see [Keyboard on page 36](#)).
6. Remove the top cover (see [Top cover on page 40](#)).
7. Remove the hard drive (see [Hard drive on page 44](#)).
8. Remove the USB board (see [USB board/Audio jack on page 47](#)).
9. Remove the WLAN (see [WLAN module on page 48](#)).
10. Remove the system board (see [System board on page 51](#)).

Remove the PCH heat sink:

1. Turn the system board upside down, with the front toward you.
2. Remove the two Phillips screws **(1)** and lift off the PCH heat sink **(2)**.



Reverse this procedure to install the PCH heat sink onto a replacement system board.

Heat sink

| Description | Spare part number |
|---|-------------------|
| UMA graphics heat sink | 697915-001 |
| Switchable discrete graphics heat sink | 697916-001 |
| Thermal material | 680571-001 |



IMPORTANT: Make special note of each screw and screw lock size and location during removal and replacement.

Before removing the heat sink, follow these steps:

1. Shut down the computer.
2. Disconnect all external devices connected to the computer.
3. Disconnect the power from the computer by first unplugging the power cord from the AC outlet and then unplugging the AC adapter from the computer.
4. Remove the battery (see [Battery on page 32](#)).
5. Remove the keyboard (see [Keyboard on page 36](#)).
6. Remove the top cover (see [Top cover on page 40](#)).
7. Remove the hard drive (see [Hard drive on page 44](#)).
8. Remove the USB board (see [USB board/Audio jack on page 47](#)).
9. Remove the WLAN (see [WLAN module on page 48](#)).
10. Remove the system board (see [System board on page 51](#)).

Remove the heat sink:

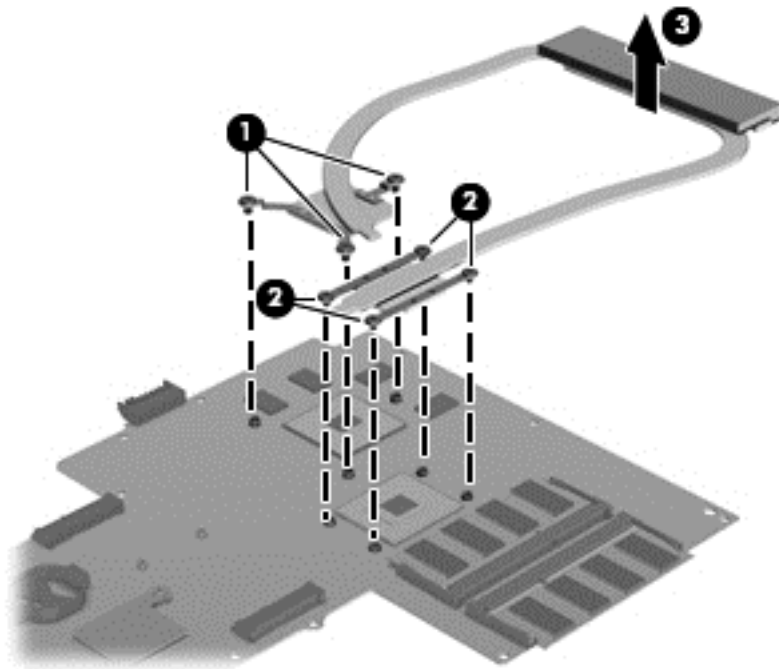
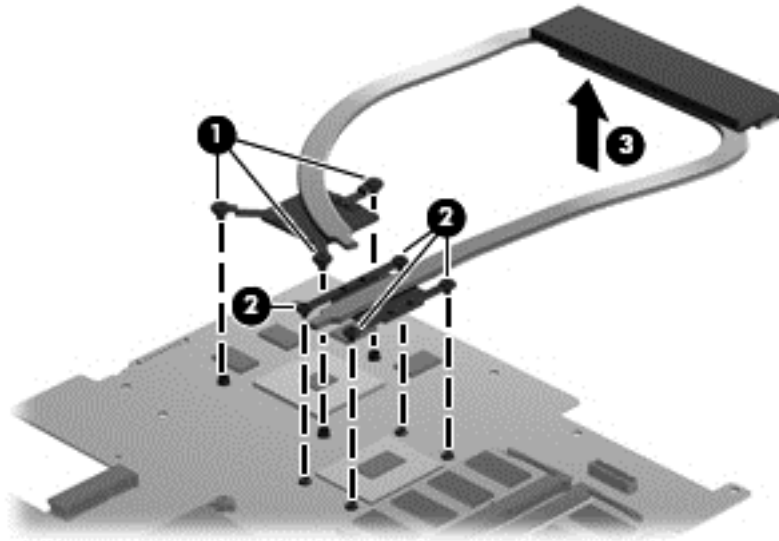
1. Turn the system board upside down, with the front toward you.



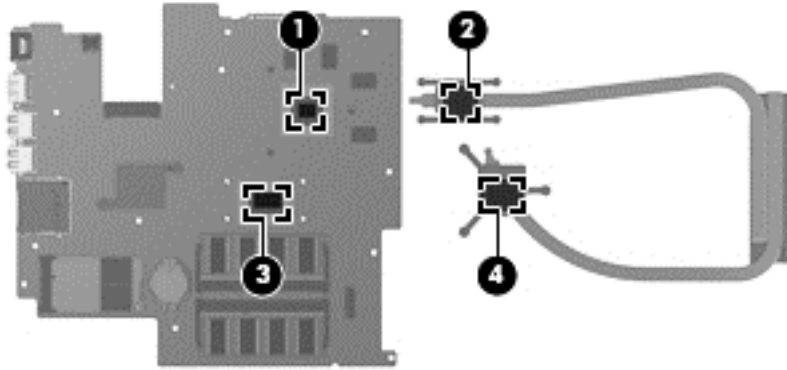
NOTE: Computer models with UMA graphics and switchable discrete graphics have different types of heat sinks depending on the computer model.

2. Remove the heat sink. If you have an UMA graphics heat sink, go to step c.
 - a. Loosen all of the captive screws **(1)** and **(2)** and then lift the switchable discrete graphics heat sink **(3)** from the system board.

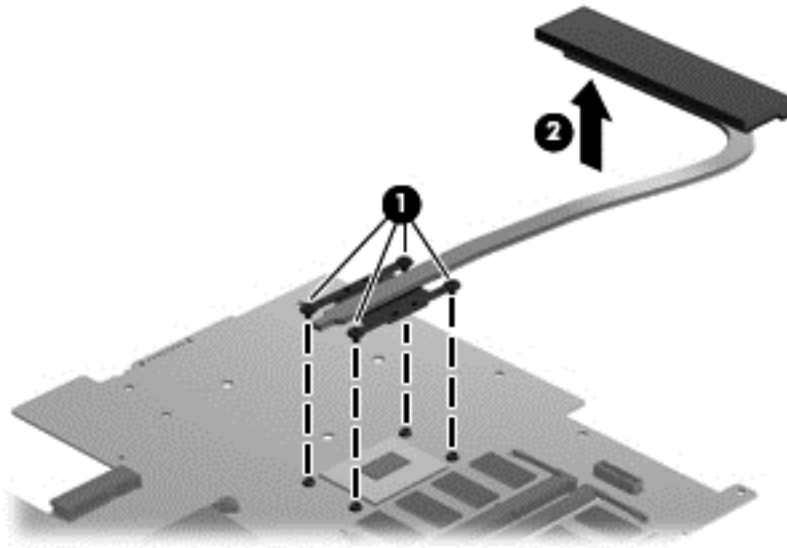
⚠ CAUTION: To prevent damage to the cooling tubes, do not lift the assembly by the cooling tubes. The tubes bend easily.



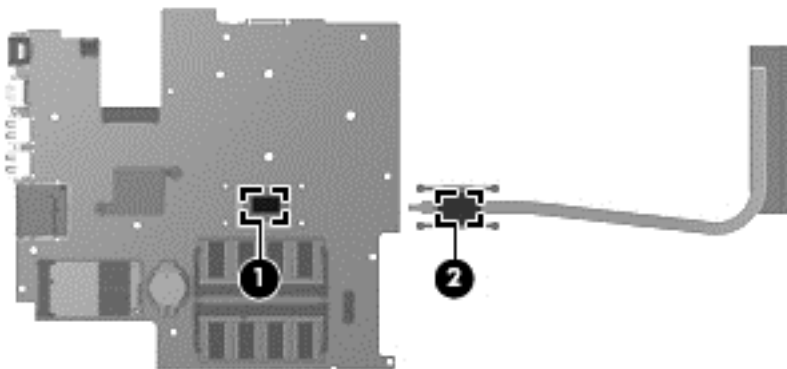
- b. Thoroughly clean the thermal connections **(1)**, **(3)** on the system board and the heat sink **(2)**, **(4)** before replacing a heat sink onto a system board. Continue to step 3.



- c. Loosen the captive screws **(1)** and lift the UMA graphics heat sink **(2)** from the system board.




- d. Thoroughly clean the thermal connections **(1)** on the system board and the heat sink **(2)** before replacing a heat sink onto a system board.



3. Reverse this procedure to replace the heat sink. Replace the thermal material that ships with the replacement heat sink.

Fan

| Description | Spare part number |
|-------------|-------------------|
| Fan | 697914-001 |

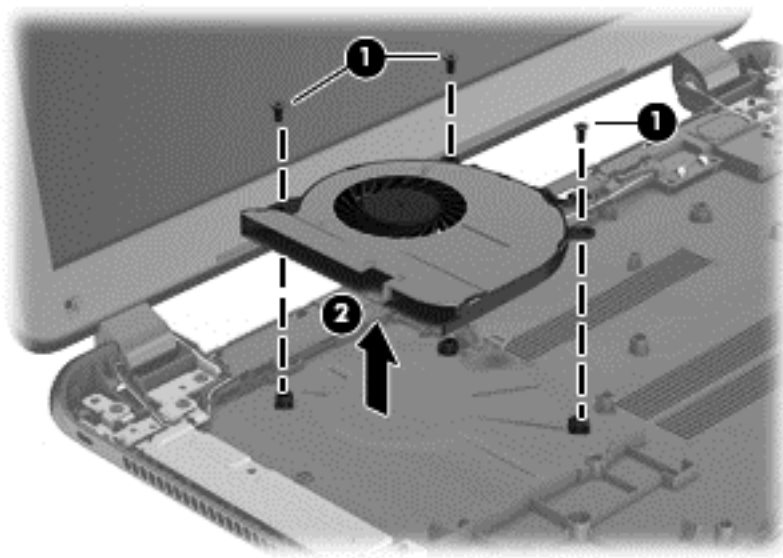
 **IMPORTANT:** Make special note of each screw and screw lock size and location during removal and replacement.

Before removing the fan, follow these steps:

1. Shut down the computer.
2. Disconnect all external devices connected to the computer.
3. Disconnect the power from the computer by first unplugging the power cord from the AC outlet and then unplugging the AC adapter from the computer.
4. Remove the battery (see [Battery on page 32](#)).
5. Remove the keyboard (see [Keyboard on page 36](#)).
6. Remove the top cover (see [Top cover on page 40](#)).
7. Remove the hard drive (see [Hard drive on page 44](#)).
8. Remove the USB board (see [USB board/Audio jack on page 47](#)).
9. Remove the WLAN (see [WLAN module on page 48](#)).
10. Remove the system board (see [System board on page 51](#)).

To remove the fan from the base enclosure:


1. Disconnect the fan cable.
2. Remove the three Phillips screws **(1)** from the fan **(2)** and lift up to remove the fan.



Reverse this procedure to install the cooling fan in the base enclosure.

Speaker assembly


| Description | Spare part number |
|------------------|-------------------|
| Speaker assembly | 701690-001 |

 **IMPORTANT:** Make special note of each screw and screw lock size and location during removal and replacement.

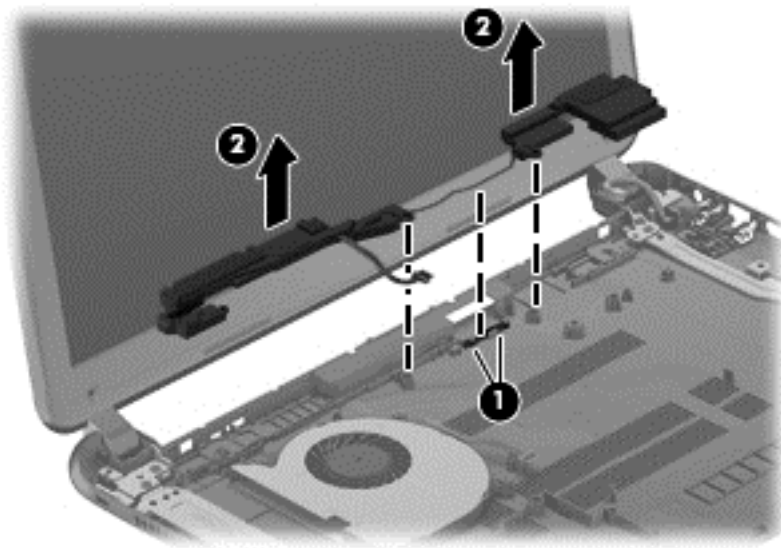
Before removing the speaker assembly, follow these steps:

1. Shut down the computer.
2. Disconnect all external devices connected to the computer.
3. Disconnect the power from the computer by first unplugging the power cord from the AC outlet and then unplugging the AC adapter from the computer.
4. Remove the battery (see [Battery on page 32](#)).
5. Remove the keyboard (see [Keyboard on page 36](#)).
6. Remove the top cover (see [Top cover on page 40](#)).
7. Remove the hard drive (see [Hard drive on page 44](#)).
8. Remove the USB board (see [USB board/Audio jack on page 47](#)).
9. Remove the WLAN (see [WLAN module on page 48](#)).
10. Remove the system board (see [System board on page 51](#)).

Remove the speaker assembly:

 **NOTE:** The speaker screws were removed during the process to remove the top cover.


- ▲ Gently release the wires **(1)** routed along the top of the base enclosure and lift both pieces of the speaker assembly **(2)**.



Reverse this procedure to install the speaker assembly on the base enclosure.

RJ-45 cover

| Description | Spare part number |
|-------------|-------------------|
| RJ-45 cover | 703075-001 |

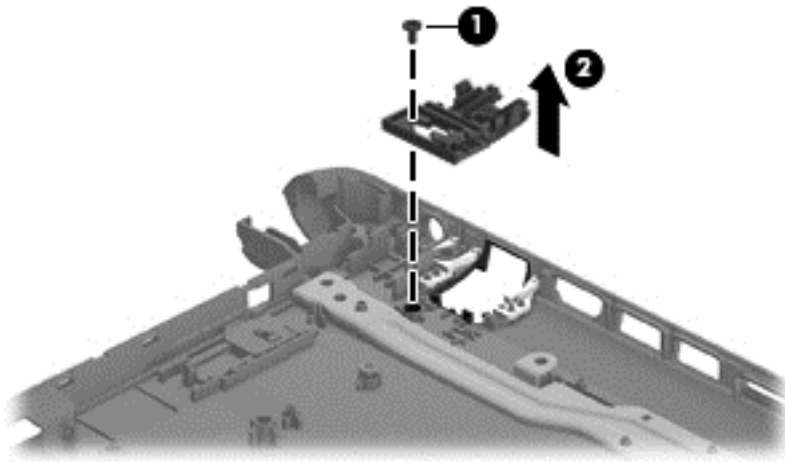
 **IMPORTANT:** Make special note of each screw and screw lock size and location during removal and replacement.

Before removing the RJ-45 cover, follow these steps:

1. Shut down the computer.
2. Disconnect all external devices connected to the computer.
3. Disconnect the power from the computer by first unplugging the power cord from the AC outlet and then unplugging the AC adapter from the computer.
4. Remove the battery (see [Battery on page 32](#)).
5. Remove the keyboard (see [Keyboard on page 36](#)).
6. Remove the top cover (see [Top cover on page 40](#)).
7. Remove the hard drive (see [Hard drive on page 44](#)).
8. Remove the USB board (see [USB board/Audio jack on page 47](#)).
9. Remove the WLAN (see [WLAN module on page 48](#)).
10. Remove the system board (see [System board on page 51](#)).

Remove the RJ-45 cover:

1. Remove the Phillips M screw **(1)** for the RJ-45 cover.
2. Lift the RJ-45 assembly **(2)** to remove it from the base enclosure.



Reverse these procedures to replace the RJ-45 assembly.

Display Assembly

| Description | Spare part number |
|--|-------------------|
| Antenna Kit (includes left and right wireless antenna cables and transceivers) | 701676-001 |
| Display Panel Cable Kit (includes display panel cable and webcam/microphone module cable) | 701681-001 |
| Display enclosure: | |
| • Ruby red | 701677-001 |
| • Sparkling black | 701678-001 |
| Display Hinge Kit (includes left and right display hinges and brackets) | 701683-001 |
| Webcam/microphone module | 707767-001 |



IMPORTANT: Make special note of each screw and screw lock size and location during removal and replacement.

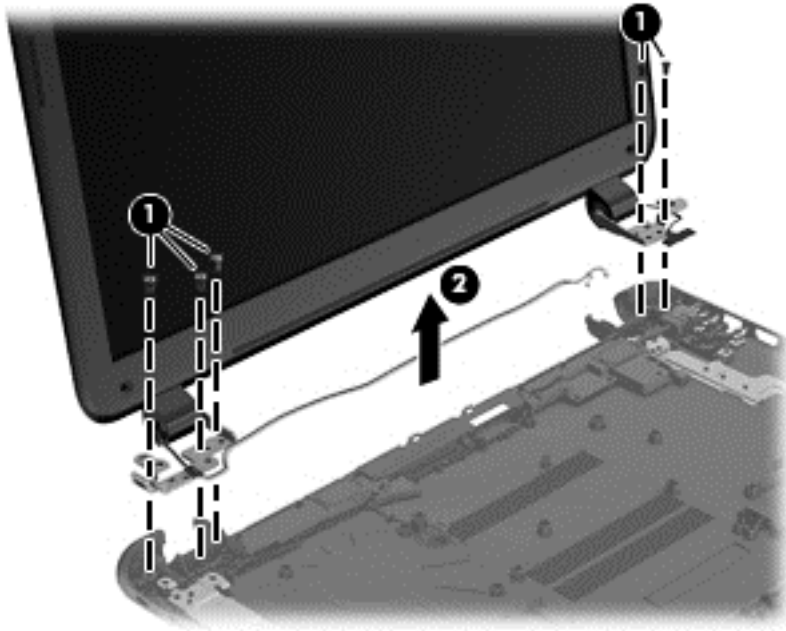
Before removing the display assembly, follow these steps:

1. Shut down the computer.
2. Disconnect all external devices connected to the computer.
3. Disconnect the power from the computer by first unplugging the power cord from the AC outlet and then unplugging the AC adapter from the computer.
4. Remove the battery (see [Battery on page 32](#)).
5. Remove the display panel (see [Display panel on page 33](#)).
6. Remove the keyboard (see [Keyboard on page 36](#)).
7. Remove the top cover (see [Top cover on page 40](#)).
8. Remove the hard drive (see [Hard drive on page 44](#)).
9. Remove the USB board (see [USB board/Audio jack on page 47](#)).
10. Remove the WLAN (see [WLAN module on page 48](#)).
11. Remove the system board (see [System board on page 51](#)).

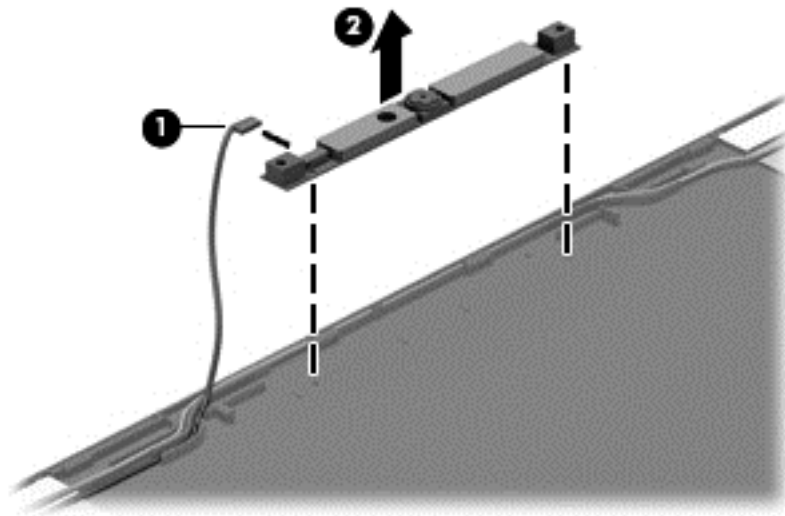
Remove the display assembly:

⚠ CAUTION: Support the display assembly when removing the following screws. Failure to support the display assembly can result in damage to the display assembly and other computer components.

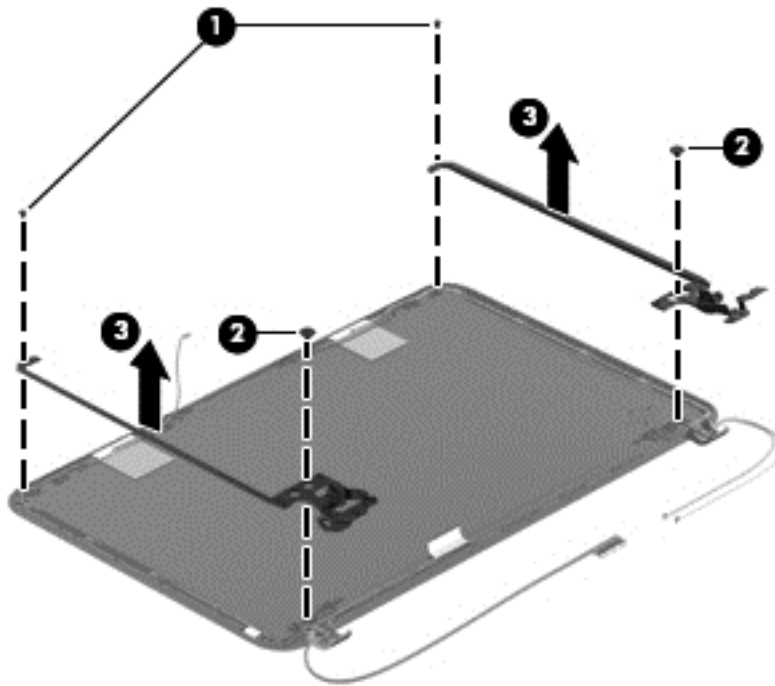
1. Remove the four Phillips screws from the display hinges **(1)** and lift the display assembly **(2)**.



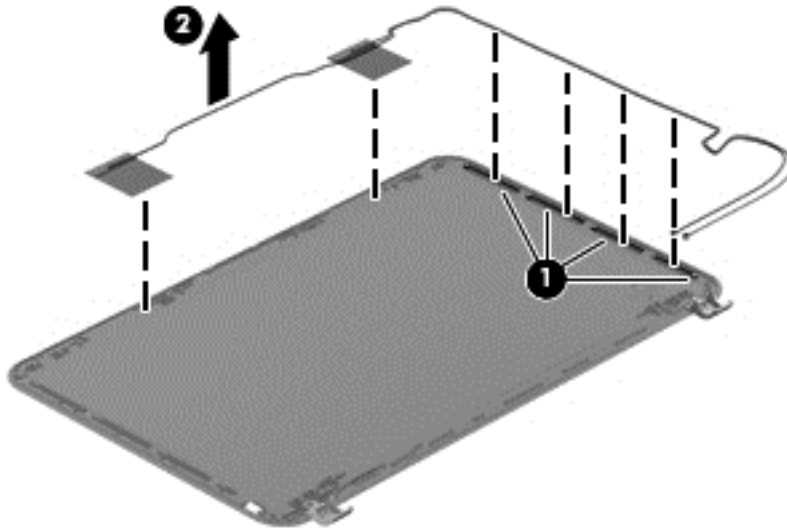
2. If it is necessary to replace the webcam/microphone module:
 - a. Detach and release the webcam/microphone module as far as the webcam/microphone module cable allows. (The webcam/microphone module is attached to the display enclosure with double-sided tape.)
 - b. Disconnect the webcam/microphone cable **(1)** from the webcam/microphone module.
 - c. Remove the webcam/microphone module **(2)**.



3. Remove the two top screws **(1)** and two bottom screws **(2)** from the display bracket and lift the display brackets **(3)** to remove them.

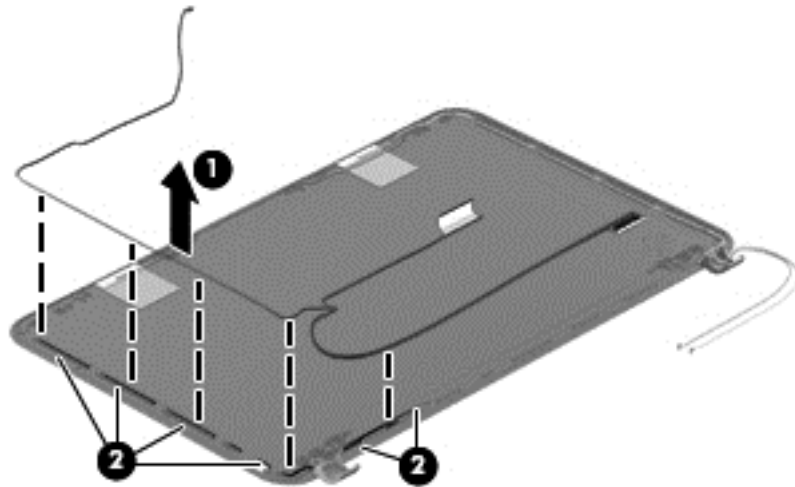


4. If it is necessary to replace the display panel cable:
- a. Gently remove the cable from the routing clips **(1)**.
 - b. Detach and release the WLAN module (the WLAN module is attached to the display enclosure with double-sided tape), and remove the cables **(2)**.



5. If it is necessary to replace the wireless antenna cables and transceivers:
- a. Release the wireless antenna cables from the clips **(1)** built into the display enclosure.
 - b. Release the wireless antenna transceivers **(2)** from the display enclosure. (The wireless antenna transceivers are attached to the display enclosure with double-sided tape.)


- c. Remove the wireless antenna cables and transceivers.



Reverse this procedure to reassemble and install the display assembly.

Power connector

| Description | Spare part number |
|-----------------|-------------------|
| Power connector | 701682-001 |

 **IMPORTANT:** Make special note of each screw and screw lock size and location during removal and replacement.

Before removing the power connector, follow these steps:

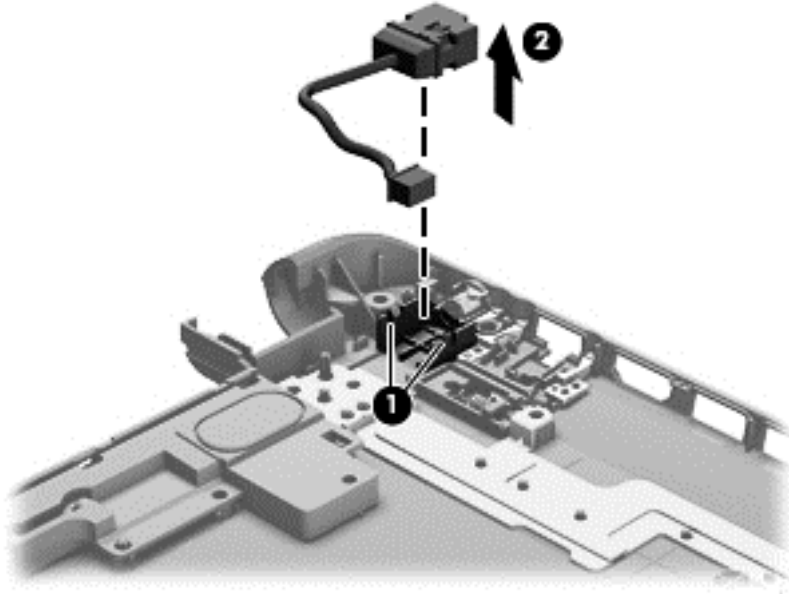
1. Shut down the computer.
2. Disconnect all external devices connected to the computer.
3. Disconnect the power from the computer by first unplugging the power cord from the AC outlet and then unplugging the AC adapter from the computer.
4. Remove the battery (see [Battery on page 32](#)).
5. Remove the keyboard (see [Keyboard on page 36](#)).
6. Remove the top cover (see [Top cover on page 40](#)).
7. Remove the hard drive (see [Hard drive on page 44](#)).
8. Remove the USB board (see [USB board/Audio jack on page 47](#)).
9. Remove the WLAN (see [WLAN module on page 48](#)).
10. Remove the system board (see [System board on page 51](#)).
11. Remove the display assembly (see [Display panel on page 33](#)).

Remove the power connector:



NOTE: The power connector screw and bracket were removed during the process to remove the system board.

1. Release the power connector **(1)**.
2. Lift out the power connector **(2)** to remove it from the base enclosure.



Reverse these procedures to replace the power connector.

5 Using Setup Utility (BIOS) and System Diagnostics

Setup Utility, or Basic Input/Output System (BIOS), controls communication between all the input and output devices on the system (such as disk drives, display, keyboard, mouse, and printer). Setup Utility (BIOS) includes settings for the types of devices installed, the startup sequence of the computer, and the amount of system and extended memory.

Starting Setup Utility (BIOS)

To start Setup Utility (BIOS), turn on or restart the computer, quickly press **esc**, and then press **f10**.

Information about how to navigate in Setup Utility (BIOS) is located at the bottom of the screen.



NOTE: Use extreme care when making changes in Setup Utility (BIOS). Errors can prevent the computer from operating properly.

Updating the BIOS

Updated versions of the BIOS may be available on the HP website.

Most BIOS updates on the HP website are packaged in compressed files called *SoftPaqs*.

Some download packages contain a file named *Readme.txt*, which contains information regarding installing and troubleshooting the file.


Determining the BIOS version

To determine whether available BIOS updates contain later BIOS versions than those currently installed on the computer, you need to know the version of the system BIOS currently installed.

BIOS version information (also known as *ROM date* and *System BIOS*) can be displayed by pressing **fn** + **esc** (if you are already in Windows) or by using Setup Utility (BIOS).

1. Start Setup Utility (BIOS).
2. Use the arrow keys to select **Main**.
3. To exit Setup Utility (BIOS) without saving your changes, use the arrow keys to select **Exit**, select **Exit Discarding Changes**, and then press **enter**.

Downloading a BIOS update

 **CAUTION:** To reduce the risk of damage to the computer or an unsuccessful installation, download and install a BIOS update only when the computer is connected to reliable external power using the AC adapter. Do not download or install a BIOS update while the computer is running on battery power, docked in an optional docking device, or connected to an optional power source. During the download and installation, follow these instructions:


Do not disconnect power from the computer by unplugging the power cord from the AC outlet.

Do not shut down the computer or initiate Sleep (Suspend).

Do not insert, remove, connect, or disconnect any device, cable, or cord.


1. From the Start screen, select the **HP Support Assistant** app.
2. Click **Updates and tune-ups**, and then click **Check for HP updates now**.
3. Follow the on-screen instructions.
4. At the download area, follow these steps:
 - a. Identify the most recent BIOS update and compare it to the BIOS version currently installed on your computer. If the update is more recent than your BIOS, make a note of the date, name, or other identifier. You may need this information to locate the update later, after it has been downloaded to your hard drive.
 - b. Follow the on-screen instructions to download your selection to the hard drive.

Make a note of the path to the location on your hard drive where the BIOS update is downloaded. You will need to access this path when you are ready to install the update.

 **NOTE:** If you connect your computer to a network, consult the network administrator before installing any software updates, especially system BIOS updates.

BIOS installation procedures vary. Follow any instructions that are displayed on the screen after the download is complete. If no instructions are displayed, follow these steps:

1. From the Start screen, type *e*, and then select **File Explorer**.
2. Click your hard drive designation. The hard drive designation is typically Local Disk (C:).
3. Using the hard drive path you recorded earlier, open the folder on your hard drive that contains the update.
4. Double-click the file that has an .exe extension (for example, *filename.exe*).
The BIOS installation begins.
5. Complete the installation by following the on-screen instructions.

 **NOTE:** After a message on the screen reports a successful installation, you can delete the downloaded file from your hard drive.

Using System Diagnostics

System Diagnostics allows you to run diagnostic tests to determine if the computer hardware is functioning properly.

To start System Diagnostics:

1. Turn on or restart the computer, quickly press **esc**, and then press **f2**.
2. Click the diagnostic test you want to run, and then follow the on-screen instructions.



NOTE: If you need to stop a diagnostic test while it is running, press **esc**.

6 Specifications

Computer specifications

| | Metric | U.S. |
|---|---|---------------------|
| Dimensions: | | |
| Width | 34.7 cm | 13.67 in |
| Depth | 23.8 cm | 9.37 in |
| Height (front to back) | 2.07 cm to 2.1 cm | .81 in to .83 in |
| Weight: | 1.8 kg | 3.96 lbs |
| Input power | | |
| Operating voltage and current | 18.5 V dc @ 3.5 A or 19.5 V dc @ 3.33 A – 65 W | |
| Temperature | | |
| Operating (writing to optical disc) | 5°C to 35°C | 41°F to 95°F |
| Nonoperating | -20°C to 60°C | -4°F to 140°F |
| Relative humidity | | |
| Operating | 10% to 90% | |
| Nonoperating | 5% to 95% | |
| Maximum altitude (unpressurized) | | |
| Operating (14.7 to 10.1 psia) | -15 m to 3,048 m | -50 ft to 10,000 ft |
| Nonoperating (14.7 to 4.4 psia) | -15 m to 12,192 m | -50 ft to 40,000 ft |
| Shock | | |
| Operating | 125 g, 2 ms, half-sine | |
| Nonoperating | 200 g, 2 ms, half-sine | |
| Random vibration | | |
| Operating | 0.75 g zero-to-peak, 10 Hz to 500 Hz, 0.25 oct/min sweep rate | |
| Nonoperating | 1.50 g zero-to-peak, 10 Hz to 500 Hz, 0.5 oct/min sweep rate | |
| NOTE: Applicable product safety standards specify thermal limits for plastic surfaces. The computer operates well within this range of temperatures. | | |

35.6 cm (14.0 in), display specifications

| | Metric | U.S. |
|--------------------------------|---|---------|
| Dimensions | | |
| Width | 32.4 cm | 12.8 in |
| Height | 19.3 cm | 7.6 in |
| Diagonal | 35.6 cm | 14.0 in |
| Number of colors | 262K (6 bit) | |
| Contrast ratio | 500:1 (typical) | |
| Brightness | 200 cd/m ² (nits) (typical) | |
| Backlight | WLED | |
| Total power consumption | 3.2 W (max) | |
| Viewing angle | ±45° horizontal, +15° up & -35° down vertical (typical) | |

Hard drive specifications

| | 1 TB* | 750 GB* | 640 GB* | 500 GB* | 320 GB* |
|---|-----------------------------|-------------------|---------------|-------------------|-------------------|
| Dimensions | | | | | |
| Height | 9.5 mm | 9.5 mm | 9.5 mm | 9.5 mm and 7.0 mm | 9.5 mm and 7.0 mm |
| Width | 70 mm | 70 mm | 70 mm | 70 mm | 70 mm |
| Weight | 107 g max | 107 g max | 107 g max | 107 g max | 107 g max |
| Interface type | SATA | SATA | SATA | SATA | SATA |
| Transfer rate | 300 MB/sec | 300 MB/sec | 300 MB/sec | 300 MB/sec | 300 MB/sec |
| Security | ATA security | ATA security | ATA security | ATA security | ATA security |
| Seek times (typical read, including setting) | | | | | |
| Single track | 1.5 ms | 1.0 ms | 1.0 ms | 1.5 ms | 2.0 ms |
| Average | 11.0 ms | 14.0 ms | 14.0 ms | 12.0 ms | 12.0 ms |
| Maximum | 22.0 ms | 24.0 ms | 22.0 ms | 22.0 ms | 22.0 ms |
| Logical blocks | 1,953,525,168 | 1,465,128,359 | 1,250,242,867 | 976,752,240 | 625,121,433 |
| Disk rotational speed | 5400 rpm | 7200 and 5400 rpm | 5400 rpm | 7200 and 5400 rpm | 5400 rpm |
| Operating temperature | 5°C to 55°C (41°F to 131°F) | | | | |

1 TB*

750 GB*

640 GB*

500 GB*


320 GB*

*Size refers to hard drive storage capacity. Actual accessible capacity is less. Actual drive specifications may differ slightly.

NOTE: Certain restrictions and exclusions apply. Contact support for details.


7 Backing up, restoring, and recovering

Your computer includes tools provided by HP and the operating system to help you safeguard your information and retrieve it if you ever need to. These tools will help you return your computer to a proper working state or even back to the original factory state, all with simple steps.

 **NOTE:** For Ubuntu Linux backup, restore, and recovery steps, refer to the *User Guide* provided. Double-click the **HP Documents** icon on the desktop to access this documentation.

This chapter provides information about the following processes:

- Creating recovery media and backups
- Restoring and recovering your system

 **NOTE:** This guide describes an overview of backing up, restoring and recovering options. For more details about the tools provided, see Help and Support. From the Start screen, type [h](#), and then select **Help and Support**.

Creating recovery media and backups

Recovery after a system failure is only as good as your most recent backup.

1. After you successfully set up the computer, create HP Recovery media. This step creates a backup of the HP Recovery partition on the computer. The backup can be used to reinstall the original operating system in cases where the hard drive is corrupted or has been replaced.

HP Recovery media you create will provide the following recovery options:

- System Recovery—Reinstalls the original operating system and the programs that were installed at the factory.
- Minimized Image Recovery—Reinstalls the operating system and all hardware-related drivers and software, but not other software applications.
- Factory Reset—Restores the computer to the state its original factory state by deleting all information from the hard drive and re-creating the partitions. Then it reinstalls the operating system and the software that was installed at the factory.

See [Creating HP Recovery media on page 80](#).

2. As you add hardware and software programs, create system restore points. A system restore point is a snapshot of certain hard drive contents saved by Windows System Restore at a specific time. A system restore point contains information that Windows uses, such as registry settings. Windows creates a system restore point for you automatically during a Windows update and during other system maintenance (such as a software update, security scanning, or system diagnostics). You can also manually create a system restore point at any time. For more information and steps for creating specific system restore points, see Windows Help and Support. From the Start screen, type **h**, and then select **Help and Support**.
3. As you add photos, video, music, and other personal files, create a backup of your personal information. Windows File History can be set to regularly and automatically back up files from libraries, desktop, contacts, and favorites. If files are accidentally deleted from the hard drive and they can no longer be restored from the Recycle Bin, or if files become corrupted, you can restore the files that you backed up using File History. Restoring files is also useful if you ever choose to reset the computer by reinstalling Windows or choose to recover using HP Recovery Manager.



NOTE: File History is not enabled by default, so you must turn it on.

For more information and steps for enabling Windows File History, see Windows Help and Support. From the Start screen, type **h**, and then select **Help and Support**.

Creating HP Recovery media

HP Recovery Manager is a software program that offers a way to create recovery media after you successfully set up the computer. HP Recovery media can be used to perform system recovery if the hard drive becomes corrupted. System recovery reinstalls the original operating system and the software programs installed at the factory, and then configures the settings for the programs. HP Recovery media can also be used to customize the system or aid in the replacement of a hard drive.

- Only one set of HP Recovery media can be created. Handle these recovery tools carefully, and keep them in a safe place.
- HP Recovery Manager examines the computer and determines the required storage capacity for the blank USB flash drive or the number of blank DVD discs that will be required.
- To create recovery discs, your computer must have an optical drive with DVD writer capability, and you must use only high-quality blank DVD-R, DVD+R, DVD-R DL, DVD+R DL discs. Do not use rewritable discs such as CD±RW, DVD±RW, double-layer DVD±RW, or BD-RE (rewritable Blu-ray) discs; they are not compatible with HP Recovery Manager software. Or instead you can use a high-quality blank USB flash drive.
- If your computer does not include an integrated optical drive with DVD writer capability, but you would like to create DVD recovery media, you can use an external optical drive (purchased separately) to create recovery discs, or you can obtain recovery discs for your computer from the HP website. For U.S. support, go to <http://www.hp.com/go/contactHP>. For worldwide support, go to http://welcome.hp.com/country/us/en/wwcontact_us.html. If you use an external optical drive, it must be connected directly to a USB port on the computer; the drive cannot be connected to a USB port on an external device, such as a USB hub.
- Be sure that the computer is connected to AC power before you begin creating the recovery media.

- The creation process can take up to an hour or more. Do not interrupt the creation process.
- If necessary, you can exit the program before you have finished creating all of the recovery DVDs. HP Recovery Manager will finish burning the current DVD. The next time you start HP Recovery Manager, you will be prompted to continue, and the remaining discs will be burned.

To create HP Recovery media:

1. From the Start screen, type `recovery`, and then select **HP Recovery Manager**.
2. Select **Recovery Media Creation**, and follow the on-screen instructions to continue.

If you ever need to recover the system, see [Recovering using HP Recovery Manager on page 84](#).

Restore and recovery

There are several options for recovering your system. Choose the method that best matches your situation and level of expertise:

- If you need to restore your personal files and data, you can use Windows File History to restore your information from the backups you created. For more information and steps for using File History, see Windows Help and Support. From the Start screen, type `h`, and then select **Help and Support**.
- If you need to correct a problem with a preinstalled application or driver, use the Drivers and Applications Reinstall option of HP Recovery Manager to reinstall the individual application or driver.

From the Start screen, type `recovery`, select **HP Recovery Manager**, and then select **Drivers and Applications Reinstall**, and follow the on-screen instructions.

- If you want to restore the system to a previous state without losing any personal information, Windows System Restore is an option. System Restore allows you to restore without the requirements of Windows Refresh or a reinstallation. Windows creates system restore points automatically during a Windows update and other system maintenance events. Even if you did not manually create a restore point, you can choose to restore to a previous point, automatically created. For more information and steps for using Windows System Restore, see Windows Help and Support. From the Start screen, type `h`, and then select **Help and Support**.
- If you want a quick and easy way to recover the system without losing your personal information, settings, or apps that came preinstalled on your computer or were purchased from the Windows Store, consider using Windows Refresh. This option does not require backing up data to another drive. See [Using Windows Refresh for quick and easy recovery on page 83](#).
- If you want to reset your computer to its original state, Windows provides an easy way to remove all personal data, apps, and settings, and reinstall Windows.

For more information, see [Remove everything and reinstall Windows on page 83](#).

- If you want to reset your computer using a minimized image, you can choose the HP Minimized Image Recovery option from the HP Recovery partition or HP Recovery media. Minimized Image Recovery installs only drivers and hardware-enabling applications. Other applications included in the image continue to be available for installation through the Drivers and Applications Reinstall option in HP Recovery Manager.


For more information, see [Recovering using HP Recovery Manager on page 84](#).


- If you want to recover the computer's original factory partitioning and content, you can choose the System Recovery option from the HP Recovery media. For more information, see [Recovering using HP Recovery Manager on page 84](#).
- If you have replaced the hard drive, you can use the Factory Reset option of HP Recovery media to restore the factory image to the replacement drive. For more information, see [Recovering using HP Recovery Manager on page 84](#).
- If you wish to remove the recovery partition to reclaim hard drive space, HP Recovery Manager offers the Remove Recovery Partition option.


For more information, see [Removing the HP Recovery partition on page 85](#).

Using Windows Refresh for quick and easy recovery

When your computer is not working properly and you need to regain system stability, the Windows Refresh option allows you to start fresh and keep what is important to you.

 **IMPORTANT:** Refresh removes any traditional applications that were not originally installed on the system at the factory.

 **NOTE:** During Refresh, a list of removed traditional applications will be saved so that you have a quick way to see what you might need to reinstall. See Help and Support for instructions on reinstalling traditional applications. From the Start screen, type **h**, and then select **Help and Support**.


 **NOTE:** You may be prompted for your permission or password when using Refresh. See Windows Help and Support for more information. From the Start screen, type **h**, and then select **Help and Support**.

To start Refresh:

1. On the Start screen, point to the far-right upper or lower corner of the screen to display the charms.
2. Click **Settings**.
3. Click **Change PC settings** in the bottom-right corner of the screen, and then select **General** from the PC settings screen.
4. Under **Refresh your PC without affecting your files**, select **Get started**, and follow the on-screen instructions.

Remove everything and reinstall Windows

Sometimes you want to perform detailed reformatting of your computer, or you want to remove personal information before you give away or recycle your computer. The process described in this section provides a speedy, simple way to return the computer to its original state. This option removes all personal data, apps, and settings from your computer, and reinstalls Windows.

 **IMPORTANT:** This option does not provide backups of your information. Before using this option, back up any personal information you wish to retain.

You can initiate this option by using the **f11** key or from the Start screen.

To use the **f11** key:

1. Press **f11** while the computer boots.
– or –
Press and hold **f11** as you press the power button.
2. Select **Troubleshoot** from the boot options menu.
3. Select **Reset your PC**, and follow the on-screen instructions.

To use the Start screen:

1. On the Start screen, point to the far-right upper or lower corner of the screen to display the charms.
2. Click **Settings**.

3. Click **Change PC settings** in the bottom-right corner of the screen, and then select **General** from the PC settings screen.
4. Under **Remove everything and reinstall Windows**, select **Get started**, and follow the on-screen instructions.

Recovering using HP Recovery Manager

HP Recovery Manager software allows you to recover the computer to its original factory state. Using the HP Recovery media you created, you can choose from one of the following recovery options:

- System Recovery—Reinstalls the original operating system, and then configures the settings for the programs that were installed at the factory.
- Minimized Image Recovery—Reinstalls the operating system and all hardware-related drivers and software, but not other software applications.
- Factory Reset—Restores the computer to the state its original factory state by deleting all information from the hard drive and re-creating the partitions. Then it reinstalls the operating system and the software that was installed at the factory.

The HP Recovery partition allows Minimized Image Recovery.

What you need to know

- HP Recovery Manager recovers only software that was installed at the factory. For software not provided with this computer, you must either download the software from the manufacturer's website or reinstall the software from the media provided by the manufacturer.
- Recovery through HP Recovery Manager should be used as a final attempt to correct computer issues.
- HP Recovery media must be used if the computer hard drive fails.
- To use the Factory Reset or System Recovery options, you must use HP Recovery media.
- If the HP Recovery media do not work, you can obtain recovery media for your system from the HP website. For U.S. support, go to <http://www.hp.com/go/contactHP>. For worldwide support, go to http://welcome.hp.com/country/us/en/wwcontact_us.html.



IMPORTANT: HP Recovery Manager does not automatically provide backups of your personal data. Before beginning recovery, back up any personal data you wish to retain.

Using the HP Recovery partition to recover a minimized image

The HP Recovery partition allows you to perform a minimized image recovery without the need for recovery discs or a recovery USB flash drive. This type of recovery can only be used if the hard drive is still working.

To start HP Recovery Manager from the HP Recovery partition:

1. Press **f11** while the computer boots.
– or –
Press and hold **f11** as you press the power button.
2. Select **Troubleshoot** from the boot options menu.
3. Select **HP Recovery Manager**, and follow the on-screen instructions.

Using HP Recovery media to recover

You can use HP Recovery media to recover the original system. This method can be used if your system does not have an HP Recovery partition or if the hard drive is not working properly.

1. If possible, back up all personal files.
2. Insert the first HP Recovery disc you created into the optical drive on your computer or into an optional external optical drive, and then restart the computer.

– or –

Insert the HP Recovery USB flash drive you created into a USB port on your computer, and then restart the computer.

 **NOTE:** If the computer does not automatically restart in HP Recovery Manager, change the computer boot order. See [Changing the computer boot order on page 85](#).

3. Follow the on-screen instructions.

Changing the computer boot order


If computer does not restart in HP Recovery Manager, you can change the computer boot order, which is the order of devices listed in BIOS where the computer looks for startup information. You can change the selection for an optical drive or a USB flash drive.

To change the boot order:

1. Insert the HP Recovery media you created.
2. Restart the computer.
3. Press and hold **esc** while the computer is restarting, and then press **f9** for boot options.
4. Select the optical drive or USB flash drive you want to boot from.
5. Follow the on-screen instructions.

Removing the HP Recovery partition

HP Recovery Manager software allows you to remove the HP Recovery partition to free up hard drive space.

 **IMPORTANT:** Removing the HP Recovery partition means you can no longer use Windows Refresh, the Windows Remove everything and reinstall Windows option, or the HP Recovery Manager option for minimized image recovery. Create HP Recovery media before removing the Recovery partition to ensure you have recovery options; see [Creating HP Recovery media on page 80](#).

Follow these steps to remove the HP Recovery partition:

1. From the Start screen, type `recovery`, and then select **HP Recovery Manager**.
2. Select **Remove Recovery Partition**, and follow the on-screen instructions to continue.

8 Power cord set requirements

The wide-range input feature of the computer permits it to operate from any line voltage from 100 to 120 V ac, or from 220 to 240 V ac.

The 3-conductor power cord set included with the computer meets the requirements for use in the country or region where the equipment is purchased.

Power cord sets for use in other countries or regions must meet the requirements of the country and region where the computer is used.

Requirements for all countries

The following requirements are applicable to all countries and regions:

- The length of the power cord set must be at least **1.0 m** (3.3 ft) and no more than **2.0 m** (6.5 ft).
- All power cord sets must be approved by an acceptable accredited agency responsible for evaluation in the country or region where the power cord set will be used.
- The power cord sets must have a minimum current capacity of 10 A and a nominal voltage rating of 125 or 250 V ac, as required by the power system of each country or region.
- The appliance coupler must meet the mechanical configuration of an EN 60 320/IEC 320 Standard Sheet C13 connector for mating with the appliance inlet on the back of the computer.

Requirements for specific countries and regions

| Country/region | Accredited agency | Applicable note number |
|--------------------------------|-------------------|------------------------|
| Argentina | IRAM | 1 |
| Australia | SAA | 1 |
| Austria | OVE | 1 |
| Belgium | CEBEC | 1 |
| Brazil | ABNT | 1 |
| Canada | CSA | 2 |
| Chile | IMQ | 1 |
| Denmark | DEMKO | 1 |
| Finland | FIMKO | 1 |
| France | UTE | 1 |
| Germany | VDE | 1 |
| India | ISI | 1 |
| Israel | SII | 1 |
| Italy | IMQ | 1 |
| Japan | JIS | 3 |
| The Netherlands | KEMA | 1 |
| New Zealand | SANZ | 1 |
| Norway | NEMKO | 1 |
| The People's Republic of China | CCC | 4 |
| Saudi Arabia | SASO | 7 |
| Singapore | PSB | 1 |
| South Africa | SABS | 1 |
| South Korea | KTL | 5 |
| Sweden | SEMKO | 1 |
| Switzerland | SEV | 1 |
| Taiwan | BSMI | 6 |
| Thailand | TISI | 1 |
| The United Kingdom | ASTA | 1 |

| Country/region | Accredited agency | Applicable note number |
|---|-------------------|------------------------|
| The United States | UL | 2 |
| <ol style="list-style-type: none"> 1. The flexible cord must be Type HO5VV-F, 3-conductor, 0.75 mm² conductor size. Power cord set fittings (appliance coupler and wall plug) must bear the certification mark of the agency responsible for evaluation in the country or region where it will be used. 2. The flexible cord must be Type SVT/SJT or equivalent, No. 18 AWG, 3-conductor. The wall plug must be a two-pole grounding type with a NEMA 5-15P (15 A, 125 V ac) or NEMA 6-15P (15 A, 250 V ac) configuration. CSA or C-UL mark. UL file number must be on each element. 3. The appliance coupler, flexible cord, and wall plug must bear a "T" mark and registration number in accordance with the Japanese Dentori Law. The flexible cord must be Type VCTF, 3-conductor, 0.75 mm² or 1.25 mm² conductor size. The wall plug must be a two-pole grounding type with a Japanese Industrial Standard C8303 (7 A, 125 V ac) configuration. 4. The flexible cord must be Type RVV, 3-conductor, 0.75 mm² conductor size. Power cord set fittings (appliance coupler and wall plug) must bear the CCC certification mark. 5. The flexible cord must be Type HO5VV-F 3-conductor, 0.75 mm² conductor size. KTL logo and individual approval number must be on each element. Corset approval number and logo must be printed on a flag label. 6. The flexible cord must be Type HVCTF 3-conductor, 1.25 mm² conductor size. Power cord set fittings (appliance coupler, cable, and wall plug) must bear the BSMI certification mark. 7. For 127 V ac, the flexible cord must be Type SVT or SJT 3-conductor, 18 AWG, with plug NEMA 5-15P (15 A, 125 V ac), with UL and CSA or C-UL marks. For 240 V ac, the flexible cord must be Type HO5VV-F 3-conductor, 0.75 mm² or 1.00 mm² conductor size, with plug BS 1363/A with BSI or ASTA marks. | | |

9 Recycling

When a battery has reached the end of its useful life, do not dispose of the battery in general household waste. Follow the local laws and regulations in your area for battery disposal. HP encourages customers to recycle used electronic hardware, HP original print cartridges, and rechargeable batteries.

For more information about recycling programs, see the HP website at www.hp.com/recycle.

Index

A

- AC adapter 7
 - spare part number 21, 23
- action keys
 - identifying 13
- antenna
 - removal 70
 - spare part number 21, 23, 71
- Antenna Kit
 - spare part number 21, 68, 71
- audio, product description 3
- audio-in (microphone) jack 8
 - removal 47
- audio-out (headphone) jack 8
 - removal 47

B

- back up
 - personal files 80
- backups 79
- base enclosure
 - spare part number 20
- battery
 - removal 32
 - spare part number 20, 23, 32
- battery bay 14
- battery lock, identifying 14
- battery release latch 14
- BIOS
 - determining version 73
 - downloading an update 74
 - updating 73
- Blu-ray ROM DVD±R/RW Super Multi Double-Layer Drive
 - precautions 28
 - spare part number 21, 22
- boot order
 - changing HP Recovery Manager 85
- buttons
 - left TouchPad 10
 - power 12
 - right TouchPad 10
 - TouchPad on/off 10

C

- cables, service considerations 27
- caps lock light, identifying 11
- chipset, product description 1
- components
 - bottom 14
 - display 9
 - left side 8
 - right side 6
 - top 10
- computer feet
 - locations 33
 - spare part number 20, 23, 33
- computer major components 16
- computer reset 83
- computer specifications 76
- connector, power 7
- connectors, service considerations 27

D

- deleted files
 - restoring 81
- Digital Media Slot, identifying 7
- display assembly
 - removal 68
 - spare part numbers 16, 68
 - subcomponents 20
- display bezel
 - spare part number 21, 33, 34
- display enclosure
 - spare part numbers 21, 68
- Display Hinge Kit, spare part number 21, 23, 68
- display panel
 - product description 2
 - removal 33
 - spare part number 21, 33
- Display Panel Cable Kit
 - spare part number 21, 23, 68
- display specifications 77
- drives, preventing damage 28
- DVD±RW and CD-RW Super Multi Double-Layer Combination Drive
 - precautions 28

- DVD±RW Super Multi Double-Layer Combination Drive
 - spare part number 22

E

- electrostatic discharge 28
- equipment guidelines 31
- esc key, identifying 13
- Ethernet, product description 3
- external media cards, product description 4

F

- fan
 - removal 65
 - spare part number 20, 23, 65
- feet
 - locations 33
 - spare part number 20, 23, 33
- fn key, identifying 13

G

- graphics, product description 1
- grounding guidelines 28
- guidelines
 - equipment 31
 - grounding 28
 - packaging 30
 - transporting 30
 - workstation 30

H

- hard drive
 - precautions 28
 - product description 2
 - removal 44
 - spare part numbers 19, 22, 23, 44
 - specifications 77
- hard drive cable
 - removal 54
- Hard Drive Hardware Kit
 - spare part number 19, 26, 44
- hard drive light 7
- HDMI port, identifying 7

- heat sink
 - removal 62
 - spare part numbers 19, 23, 62
 - hinge
 - spare part number 21, 23, 68
 - HP Recovery Manager 84
 - correcting boot problems 85
 - starting 85
 - HP Recovery media
 - creating 80
 - recovery 85
 - HP Recovery partition 85
 - recovery 84
 - removing 85
- I**
- integrated numeric keypad, identifying 13
 - integrated webcam light, identifying 9
 - internal media card, product description 4
 - internal microphone, identifying 9
- J**
- jack
 - audio-in (microphone) 8
 - audio-out (headphone) 8
 - network 7
 - RJ-45 (network) 7
 - RJ-45 (network) lights 7
- K**
- keyboard
 - product description 4
 - removal 36
 - spare part numbers 16, 17, 23, 24, 36
 - keypad, integrated numeric 13
 - keys
 - action 13
 - esc 13
 - fn 13
 - num lock 13
 - Windows applications 13
 - Windows logo 13
- L**
- latch, battery release 14
- lights**
- AC adapter 7
 - caps lock 11
 - hard drive 7
 - mute 11
 - power 6, 11
 - TouchPad 10, 11
 - webcam 9
 - wireless 11
- M**
- mass storage device
 - precautions 28
 - removal 44
 - spare part numbers 44
 - memory module
 - product description 2
 - removal 55
 - spare part numbers 19, 22, 55
 - microphone
 - product description 3
 - minimized image
 - creating 84
 - minimized image recovery 84
 - model name 1
 - mSATA solid-state drive
 - removal 59
 - spare part number 23, 59
 - mute light, identifying 11
- N**
- network jack, identifying 7
 - num lock key, identifying 13
- O**
- operating system, product description 4
 - optical drive
 - precautions 28
 - spare part numbers 21
 - original system recovery 84
- P**
- packaging guidelines 30
 - PCH heat sink
 - removal 61
 - spare part number 20, 23, 61
 - plastic parts, service considerations 27
 - pointing device, product description 4
 - ports
 - HDMI 7
 - USB 2.0 8
 - USB 3.0 7
 - ports, product description 4
 - power button board
 - removal 43
 - spare part number 17, 25, 43
 - power button, identifying 12
 - power connector
 - removal 71
 - spare part number 20
 - spare part numbers 71
 - power connector, identifying 7
 - power cord
 - requirements for all countries 87
 - requirements for specific countries and regions 88
 - set requirements 87
 - spare part numbers 21, 22
 - power lights, identifying 6, 11
 - power requirements, product description 4
 - processors, product description 1
 - product description
 - audio 3
 - chipset 1
 - display panel 2
 - drives 2
 - Ethernet 3
 - external media cards 4
 - graphics 1
 - internal media card 4
 - keyboard 4
 - memory module 2
 - microphone 3
 - operating system 4
 - pointing device 4
 - ports 4
 - power requirements 4
 - processors 1
 - product name 1
 - security 4
 - serviceability 5
 - video 3
 - wireless 3
 - product name 1

R

- recovery 81, 83
 - discs 80, 85
 - HP Recovery Manager 84
 - media 85
 - starting 85
 - supported discs 80
 - system 84
 - USB flash drive 85
 - using HP Recovery media 81
- recovery media
 - creating 80
 - creating using HP Recovery Manager 81
- recovery partition 84
 - removing 85
- recycle
 - computer 81, 83
- recycling 90
- refresh 83
 - computer 81
- removal/replacement
 - preliminaries 27
 - procedures 31
- remove everything and reinstall Windows 83
- reset
 - computer 81, 83
 - steps 83
- restore
 - Windows File History 81
- RJ-45 (network) jack, identifying 7
- RJ-45 cover
 - removal 67
 - spare part number 20, 67
- RTC battery
 - removal 57
 - spare part number 19, 23, 57
- Rubber Feet Kit
 - spare part number 20
- Rubber Feet Kit, spare part number 23, 33

S

- Screw Kit,
 - spare part number 25
- Screw Kit, spare part number 22
- security cable slot, identifying 8
- security, product description 4

- service considerations
 - cables 27
 - connectors 27
 - plastic parts 27
- service label 15
- serviceability, product description 5
- slots
 - Digital Media 7
 - security cable 8
- Speaker assembly
 - spare part number 20, 25
- speaker assembly
 - removal 66
 - spare part number 66
- Speaker Kit
 - spare part number 20, 66
- Speaker Kit, spare part number 25
- speakers
 - spare part number 20, 25
- speakers, identifying 12
- specifications
 - computer 76
 - display 77
 - hard drive 77
- supported discs
 - recovery 80
- system board
 - removal 51
 - spare part numbers 18, 51
- system board,
 - spare part numbers 26
- system recovery 84
- system restore point
 - creating 80
 - restoring 81

T

- Thermal Material Kit
 - spare part number 23
- Thermal Material Kit, spare part number 22
- tools required 27
- top cover
 - removal 40
 - spare part numbers 17, 26, 40
- TouchPad
 - buttons 10

- TouchPad button board
 - spare part number 17
- TouchPad light 10
- TouchPad on/off button 10
- TouchPad reader light 11
- TouchPad zone, identifying 10
- transporting guidelines 30

U

- USB 2.0 ports, identifying 8
- USB 3.0 ports, identifying 7
- USB board
 - removal 47
 - spare part number 20, 25

V

- vents, identifying 8, 14
- video, product description 3

W

- webcam light, identifying 9
- webcam, identifying 9
- webcam/microphone module
 - removal 69
 - spare part number 21, 26, 68, 69
- Windows
 - backup 80
 - File History 80, 81
 - Refresh 81, 83
 - reinstall 81, 83
 - remove everything and reinstall option 83
 - reset 83
 - restoring files 81
 - system restore point 80, 81
- Windows applications key, identifying 13
- Windows logo key, identifying 13
- wireless antenna
 - removal 70
 - spare part number 21, 23, 71
- wireless light 11
- wireless, product description 3
- WLAN antennas, identifying 9
- WLAN module
 - removal 48, 70
 - spare part numbers 19, 20, 23, 48
- workstation guidelines 30