

INSTALLATION & USER GUIDE



For Installing

In-Ceiling Speakers

in New Construction



5-1/4", 6-1/2" AND 8" CEILING BRACKETS

NCB-5/6/8

NCB-5/NCB-6/NCB-8

5-1/4", 6-1/2" AND 8" CEILING BRACKETS

PRODUCT OVERVIEW

Figure 1

The illustration shows how a typical In-Ceiling loudspeaker mounts into a ceiling.

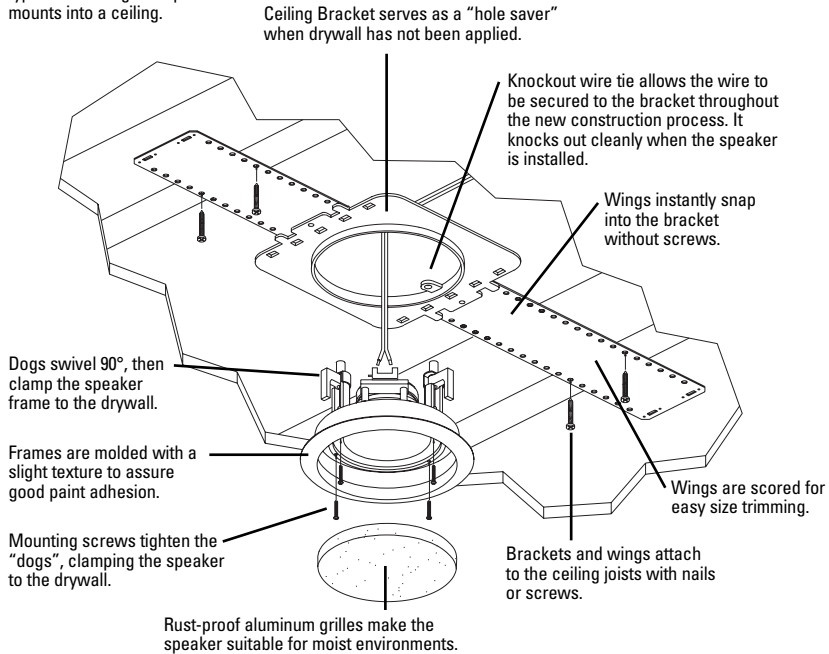
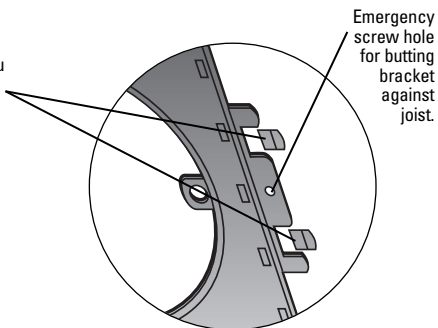


Figure 2

Break away two of the outer mounting tabs on the side you wish to affix.



NOTE: Ceiling Bracket is designed to be used in New Construction ONLY. Cannot be used in retrofit applications.

DESCRIPTION

NCB-5 ceiling bracket is for JobSite LSC-5 series speakers installation in New Construction

NCB-6 ceiling bracket is for JobSite LSC-6 series speakers installation in New Construction

NCB-8 ceiling bracket is for JobSite LSC-8 series speakers installation in New Construction

PACKAGE CONTENTS

- Ceiling Brackets x 2
- 4" x 10" Wings x 2
- 4" x 14-1/2" Wings x 2
- #6 x 1-5/8" Phillips Head Drywall Screws x 9

PREPARING FOR INSTALLATION

Determine the best mounting locations based on the room layout. Make sure the area behind both speakers is clear for installation. Speakers provide the best coverage, when centered in the room. Line up the ceiling brackets with permanently mounted ceiling fixtures such as can lights or a light fixture. Snap a chalk line to help center the brackets.

TOOLS REQUIRED

- Tape Measure
- Cordless screwdriver with No2 Phillips bit
- Pencil
- Chalk line

INSTALLATION

1. Attach the wings to the bracket by snapping them into the sides of the bracket (**See Figure 1**). To shorten the wings, break them along the scored lines.
2. The wings and brackets have centering lines to simplify placement of the speaker.
3. Use a tape measure to locate and center the brackets in the ceiling.
4. Mark each speaker location with a pencil.
5. Screw one side of the assembled bracket with wings to the joist using one of the supplied screws.
6. Screw the other side of the bracket/wing assembly to the joist. Two screws on each side make for a very secure installation.
7. Secure the wire to the bracket using the bracket's wire tie.
8. In unique situations where the bracket must be located precisely next to a joist, the bracket has "emergency" screw holes located on its snap-on tabs. Break away two of the outer mounting tabs on the side you wish to affix, see **Figure 2**. Notching the joist so the bracket lies flush may be required. Next, screw the bracket tab to the joist using one of the supplied screws. Important: Do not over-tighten the screw, doing so could crack the bracket tab. Level the bracket, then affix the other side of the bracket assembly using the supplied screws.
9. After the drywall is installed, cut a hole in the drywall using the outside of the circular bracket flange as a template.



JOBSITE SYSTEMS

12331 S.W. 130 STREET, MIAMI, FLORIDA 33186
P (866) 4JB-SITE (866-452-7483) – F (305) 238-0185
WWW.JOBSITESYSTEMS.COM

© 2005 JobSite Systems. All rights reserved. JobSite, Pure Custom and Niles are registered trademarks of Niles Audio Corporation and the JobSite Logo is a trademark of Niles Audio Corporation. All other trademarks are the property of their respective owners. Some JobSite products (or components thereof) are manufactured under one or more U.S. Patents, foreign equivalents and/or pending patents (see product for details). Because we constantly strive to improve our products, JobSite reserves the right to change product specifications, descriptions, and prices without notice. The technical and other specifications of information contained herein are not intended to set forth all technical and other specifications of JobSite products. Additional information can be obtained at WWW.JOBSITESYSTEMS.COM or by calling JobSite at 866-452-7483. Printed in China. 07/05 DS00379BCN