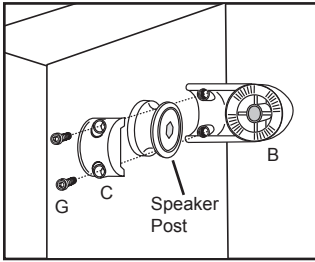


Step 3a. Optional Speaker Post Style Mounting



OPTION. SINGLE POST INSTALLATION A single post adapter is available for purchase. To purchase call 1-800-582-9595.

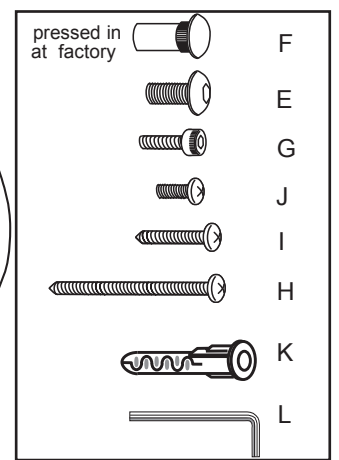
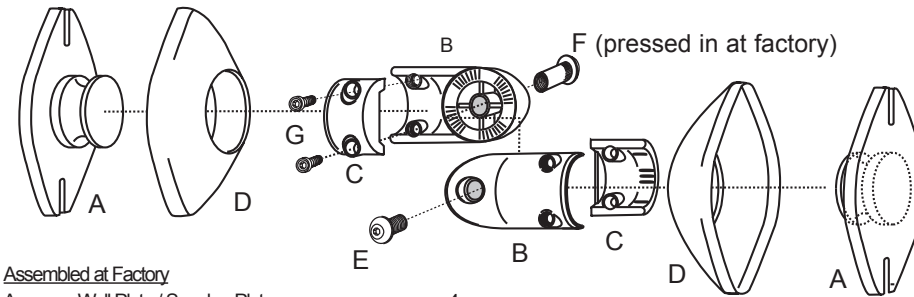
Model BKSP Bookshelf Speaker Mount Assembly Instructions

VANTAGE POINT
Possibilities are mounting.™

IMPORTANT CONSIDERATIONS PRIOR TO INSTALLATION

Preview all steps before beginning. Should any portion of these instructions be unclear, contact us at **800-582-9595** for assistance. **Do Not Attempt** to install this speaker mount if you have any doubts as to its proper installation. This speaker mount is specifically designed for mounting speakers weighing 25 lbs. or less. Use of this speaker mount for any other purpose unless specified by the manufacturer is not recommended.

PARTS LIST



Assembled at Factory

A	Wall Plate / Speaker Plate	4
B	Link	2
C	Link Cap	4
D	Plastic Cover	4
E	5/16"-18 x 3/4" button head link screw	2
F	5/16"-18 serrated binder nut (with id. mark)	2
G	1/4"-20 x 1" socket head cap screw	8

Bagged Hardware Kit

H	#14 x 2" self tapping screw	4
I	#14 x 1" self tapping screw	4
J	1/4"-20 x 3/4" machine screw	4
K	Toggler® Alligator anchors	4
L	3/16" long style allen wrench	1



REQUIRED TOOLS

"TOGGLER is a registered trademark of Merchandise Plastics Corp." ALLIGATOR ANCHOR® "Patented under US Patent numbers 4,181,061;4,752,170 and 5,161,296 and foreign counter parts thereof. Other patents pending"

Maximum Speaker Weight: 25 lbs

Supplied is mounting hardware for 3 different surface applications. You will need to determine what style hardware will work best with your mounting surface. **NOTE:** Always use CAUTION when drilling into a wall or ceiling. Make sure you are avoiding all electrical and water lines. Not all installation applications will support the maximum rated weight of this product. The installer is responsible for evaluating the integrity of materials and structure prior to mounting speaker.

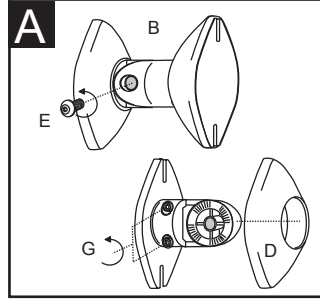
WARRANTY INFORMATION

All Vantage Point Products Corp. products are manufactured to ensure superior quality, performance and durability for a lifetime of use. Warranty covers the product to be free of defects in materials and workmanship under normal and reasonable use. Vantage Point Products will repair or replace, at our option, any product which proves to be defective upon our inspection. This warranty will not apply to products that have been lost or damaged by misuse, abuse or accident, altered or repaired in any way or by any person or firm other than specified by us, used in violation of instructions or incorrect assembly nor used in a manner other than specified by us. This warranty is nontransferable to a new owner and may require proof of purchase. All claims must be directly handled with Vantage Point Products Corp. by calling us at 1-800-582-9595.

Vantage Point Products Corp • P.O. Box 2485 Santa Fe Springs, CA 90670 USA
USA Tel: 1.800.582.9595 • Canada Tel: 905.607.9994 • Europe Tel: 31.72.581.6056
Web Site: www.vanptc.com • Email: cons-serv@vanptc.com rev-09/05

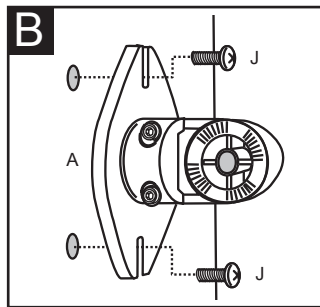
Step 1. Attaching Speaker Plate

Supplied are parts and hardware for mounting to various manufacturers speakers. You will need to select the type that best suits your application. If the hardware provided does not fit your speaker you will need to acquire the appropriate hardware. **CAUTION:** RECOMMENDED HARDWARE PROVIDED IS DESIGNED FOR SPEAKER WEIGHTS INDICATED. INSTALLER MUST CONSIDER THE INTEGRITY AND DESIGN OF THE SPEAKER CABINET. SOME INSTALLATIONS MAY REQUIRE THE INSTALLATION OF A THROUGH BOLT AND REINFORCEMENT BACKING IF SPEAKER CABINET DESIGN WILL NOT SUPPORT SPEAKER WEIGHT.



Step A. Remove all parts from packaging.

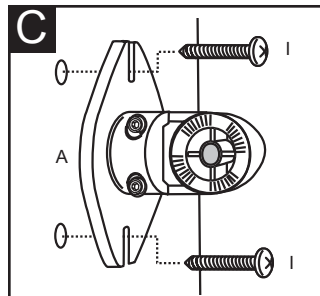
Disassemble the Link Assemblies (B) by removing Button Head Allen Screw (E) using the 3/16" Allen Tool (L) provided. The Serrated Binder Nut (F) has been pressed in at the factory and should not be loosened or removed! Remove plastic covers (D). Loosen the Socket Head Cap screws (G) slightly allowing Links (B) to rotate freely.



Step B. INSTALLING SPEAKER PLATE

(1/4-20 Threaded Holes in speakers)

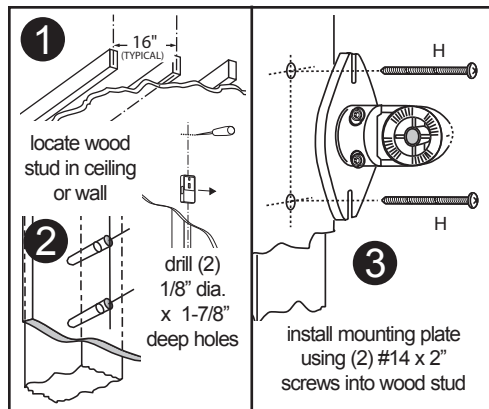
Using the 1/4-20 x 3/4" machine screws (J) align the Speaker Plate (A) over the threaded holes, install the screws (J) and secure to speaker cabinet.



Step C. INSTALLING SPEAKER PLATE (No Threaded Holes, Wood Cabinet)

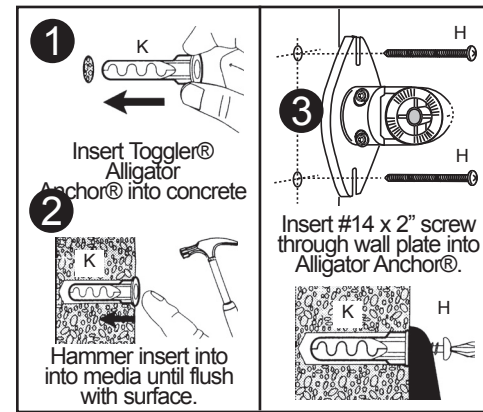
Locate the optimum mounting position for the Speaker Plate (A). Using Speaker Plate (A) as a template, mark for drilling speaker cabinet. **NOTE:** You do not want to drill or screw into the speaker where you could possibly damage internal components. Drill holes in Speaker cabinet using a 1/8" drill bit. These holes should be drilled no more than 3/4" deep. (You can accomplish this by placing a piece of tape 3/4" from the end of the drill bit providing you with a guide.) Using the #14 x 1" Self Tapping screws (I) mount the Speaker Plate (A) to the Speaker Cabinet.

Step 2. Installing Wall / Ceiling Plate



SOLID WOOD OR WOOD STUD

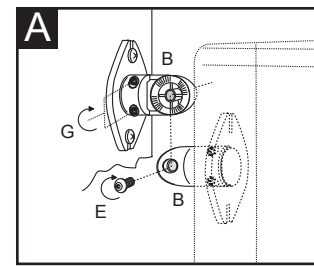
Using a stud finder locate the wood stud or framing member. Using a pick or small drill bit locate the center of the wood stud, be careful doing this as you don't want to go any wider than the width of the Speaker Wall Plate (A) (wall plate will cover any extra holes) Using the wall plate as a template mark hole position on mounting surface (see fig. 1) **NOTE:** In wall mounting applications position mounting holes in a vertical pattern. Drill holes through the drywall and into the wood stud using a 1/8" drill bit. These holes should be drilled no less than 1-7/8" deep (see fig 2) You can accomplish this by placing a piece of tape a 1-7/8" from the end of the drill bit providing you with a guide. After holes are drilled, mount the wall plate using the #14 x 2" self tapping screws (H).



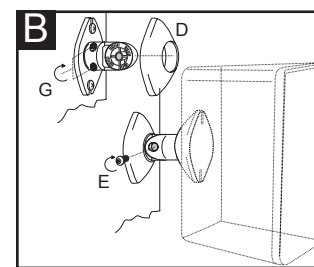
SOLID CONCRETE OR HOLLOW BLOCK

Using the Speaker wall plate (A) as a template mark hole position on mounting surface (see fig. 1) **NOTE:** In wall mounting applications position mounting holes in a vertical pattern. (see fig.) Drill holes in the solid concrete or hollow block using a 5/16" masonry drill bit. Once holes are drilled insert the (4) #14 TOGGLER® ALLIGATOR ANCHORS® (K) into the holes making sure anchor is flush with wall or ceiling surface (see fig. 2) With TOGGLER® ALLIGATOR ANCHORS® (K) in place, mount the wall plate using the #14 x 2" self tapping screws (H). (see fig. 3)

Step 3. Speaker Mounting



Step A. POSITIONING and MOUNTING SPEAKER MOUNT Leaving Plastic Covers (D) off. Re-assemble the Links (B) using the previously removed 5/16"-18 x 3/4" button head link screw (E). Adjust Speaker assembly to desired positioning and tighten 5/16"-18 x 3/4" button head link screw (E) using the 3/16" allen wrench (L). Next tighten the socket head cap screws (G) to hold the speaker in its final position. Before cover installation evaluate speaker positioning. If not satisfied loosen and reposition at this time. Once covers are installed you cannot easily adjust the speaker position.



Step B. COVER INSTALLATION Remove the 5/16"-18x3/4" button head link screw (E). Install the Plastic Speaker Plate Cover (D), over the Speaker Plates (A). Re-install the 5/16-18 x 3/4" button head link screw (E) and secure.