

ET6xW

Enterprise Tablet



ZEBRA

Quick Start Guide for Windows

2024/09/12

ZEBRA and the stylized Zebra head are trademarks of Zebra Technologies Corporation, registered in many jurisdictions worldwide. All other trademarks are the property of their respective owners. ©2024 Zebra Technologies Corporation and/or its affiliates. All rights reserved.

Information in this document is subject to change without notice. The software described in this document is furnished under a license agreement or nondisclosure agreement. The software may be used or copied only in accordance with the terms of those agreements.

For further information regarding legal and proprietary statements, please go to:

SOFTWARE: zebra.com/informationpolicy.

COPYRIGHTS: zebra.com/copyright.

PATENTS: ip.zebra.com.

WARRANTY: zebra.com/warranty.

END USER LICENSE AGREEMENT: zebra.com/eula.

Terms of Use

Proprietary Statement

This manual contains proprietary information of Zebra Technologies Corporation and its subsidiaries ("Zebra Technologies"). It is intended solely for the information and use of parties operating and maintaining the equipment described herein. Such proprietary information may not be used, reproduced, or disclosed to any other parties for any other purpose without the express, written permission of Zebra Technologies.

Product Improvements

Continuous improvement of products is a policy of Zebra Technologies. All specifications and designs are subject to change without notice.

Liability Disclaimer

Zebra Technologies takes steps to ensure that its published Engineering specifications and manuals are correct; however, errors do occur. Zebra Technologies reserves the right to correct any such errors and disclaims liability resulting therefrom.

Limitation of Liability

In no event shall Zebra Technologies or anyone else involved in the creation, production, or delivery of the accompanying product (including hardware and software) be liable for any damages whatsoever (including, without limitation, consequential damages including loss of business profits, business interruption, or loss of business information) arising out of the use of, the results of use of, or inability to use such product, even if Zebra Technologies has been advised of the possibility of such damages. Some jurisdictions do not allow the exclusion or limitation of incidental or consequential damages, so the above limitation or exclusion may not apply to you.

Unpacking

Unpacking the device from the box.

1. Carefully remove all protective material from the device and save the shipping container for later storage and shipping.
2. Verify that the following were received:
 - Tablet
 - Battery (installed)
 - Stylus
 - Regulatory Guide
3. Inspect the equipment for damage. If any equipment is missing or damaged, contact the Global Customer Support center immediately.
4. Prior to using the device for the first time, remove the protective shipping film that covers the scan window and display.

Features

This section lists the features of the ET60W and ET65W tablets.



NOTE: Some features may not be available on all configurations.

Figure 1 Front View

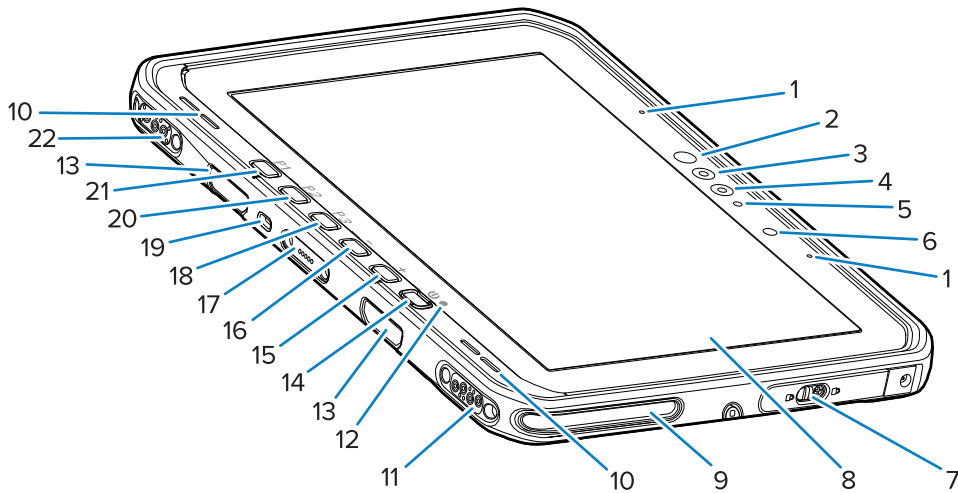


Table 1 Front View

Number	Item	Description
1	Front microphones	Use for voice communications or audio recordings.
2	Windows Hello infrared LED	Illuminates your face with infrared (IR) light during Windows Hello face authentication.

Table 1 Front View (Continued)

Number	Item	Description
3	Windows Hello infrared camera	Captures your face during Windows Hello face authentication.
4	Front camera	Use for video conferencing.
5	Front camera LED	Illuminates when the front camera is active.
6	Light sensor	Determines ambient light for controlling display backlight intensity.
7	Right access door	Secure door for accessing USB ports.
8	Touch screen	Displays all information needed to operate the device.
9	Dock alignment slot	Assists in aligning the tablet with the dock.
10	Speakers	Provides audio output.
11	Dock USB connector	Provides USB communication through the dock.
12	Charging indicator	Indicates power state and battery charging status while charging and application-generated notifications.
13	Keyboard/shoulder strap mount slots	Provides alignment and mounting of keyboard and shoulder strap clips.
14	Power button	Turns the display on and off. Press and release to turn on the device. Press and hold to restart the device. Provides finger print biometric authentication (optional).
15	+ button	Programmable button (increase volume - default).
16	- button	Programmable button (decrease volume - default).
17	Keyboard interface connector	Provides power and communication with the keyboard.
18	P3 button	Programmable button (keyboard shortcut Ctrl+Alt +Del - default).
19	Kensington security slot	Provides mounting a security cable to prevent theft or unauthorized use of the tablet.
20	P2 button	Programmable button (opens Copilot application - default).
21	P1 button	Programmable button (open Zebra Control Hub application - default).
22	Dock power / antenna connector	Provides power and antenna connection through the dock.

Figure 2 Right Side

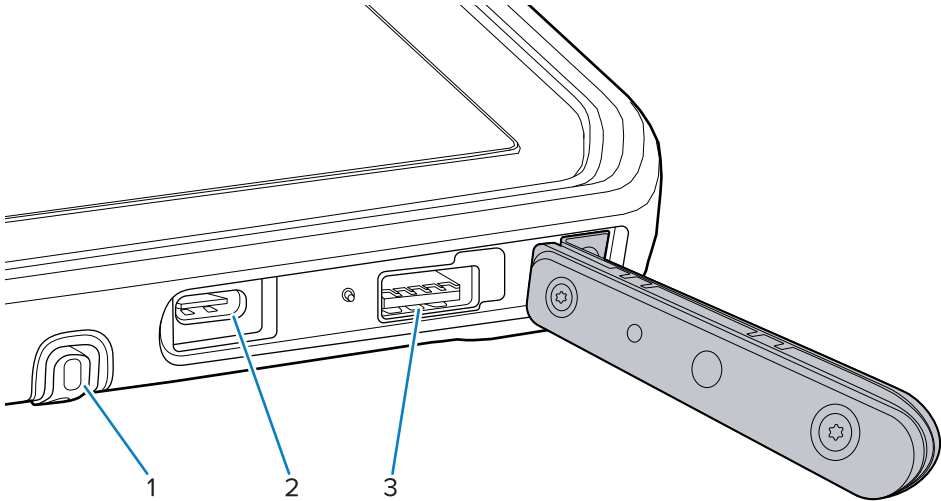


Table 2 Right Side

Number	Item	Description
1	Stylus garage	Provides a place for holding the stylus.
2	USB-C Thunderbolt 4 port	Provides communication with a host computer and accessories and provides charging.
3	USB-A 3.1 port	Provides communication with accessories such as scanners and wired headsets.

Figure 3 Left Side

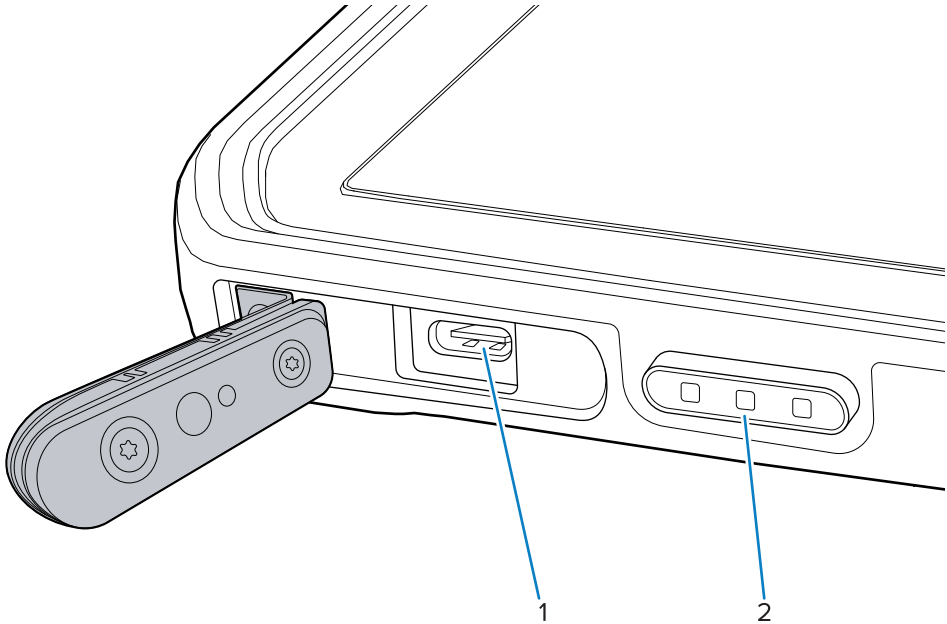


Table 3 Left Side

Number	Item	Description
1	USB-C Thunderbolt 4 port	Provides communication with a host computer and accessories and provides charging.
2	Scan button (on tablets with internal scanner) Programmable button (on tablets without internal scanner)	Initiates barcode data capture when a scan-enabled application is active. Programmable button - (no action - default)

Figure 4 Back View

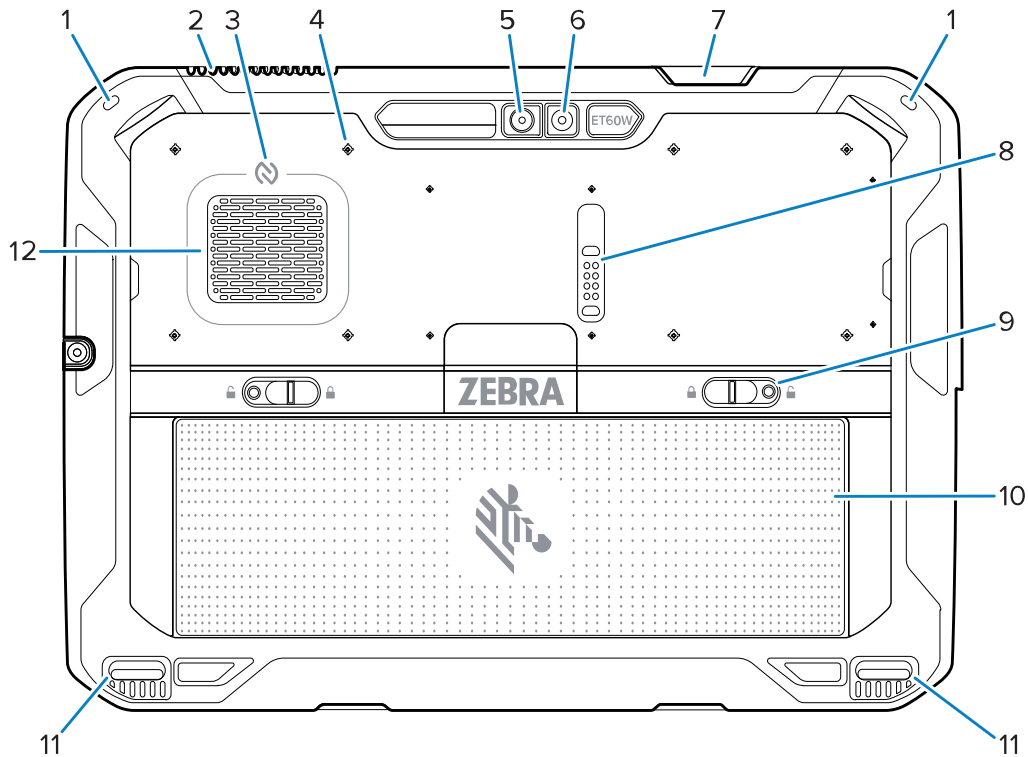


Table 4 Back View


Number	Item	Description
1	Stylus mount	Provides mounting for a stylus tether.
2	Exhaust vent	Provide airflow out of the tablet.
3	NFC antenna	Reads NFC cards.
4	Accessory mount point locations	Indicates mounting location points on polymer film for accessory captive screws.  CAUTION: Do not remove the polymer film.

Table 4 Back View (Continued)

Number	Item	Description
5	Rear camera	Autofocus camera that takes photos, and captures barcode data.
6	Rear camera LED flash	Provides illumination for the camera.
7	Scanner exit window	Provides data capture using the internal imager (optional).
8	Communication expansion port	Provides USB communication and power to an accessory.
9	Battery release latches	Releases the battery.
10	Battery Blank Battery Pack (optional)	Provides power to the tablet. Provides water and dust sealing when used in fixed mount installation when a battery is not required.
11	Dock alignment slot	Assists in aligning the tablet with the dock.
12	Intake vent	Provides airflow into the tablet.

Repair or Replacement

For purchasing a new battery for repair and replacement a battery, go to [Request a Repair](#).

Repair and replacement services of ET60W/65W for 3 to 5 years from the date of sale can be purchased from [One Care Support Services](#).

Setting Up the Device

Set up the device before using it for the first time.



NOTE: The ET6xW with a battery ships in Ship Mode to prevent discharging during shipment and storage. To exit Ship Mode, place it in a powered Vehicle Dock or connect power with a USB cable, and then press the power button.

1. Install a nano SIM card (optional on ET65W only).
2. Install the battery.
3. Charge the device.

Installing the nano SIM Card

The nano SIM card is required for cellular data connectivity.



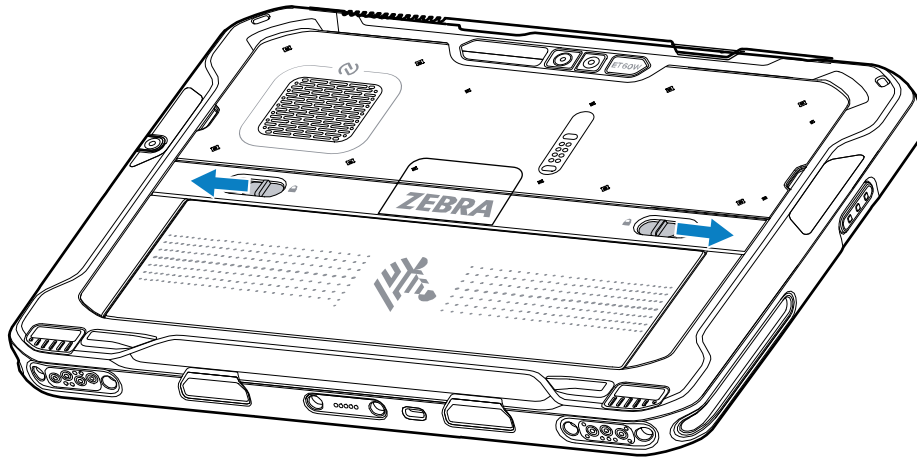
NOTE:

Only use a nano SIM card.
ET65W only.

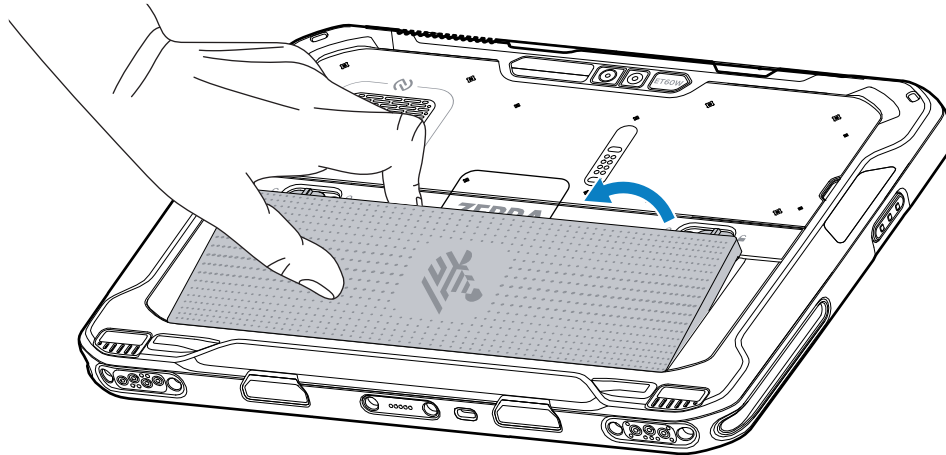


CAUTION: For proper electrostatic discharge (ESD) precautions to avoid damaging the SIM card. Proper ESD precautions include but are not limited to, working on an ESD mat and ensuring that the user is properly grounded.

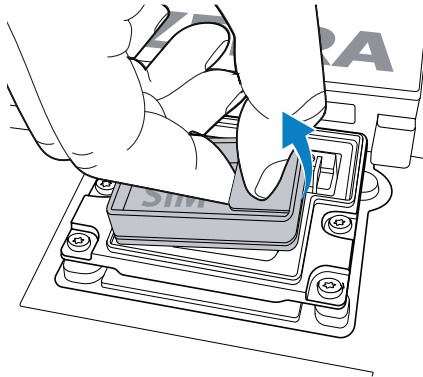
1. Slide the battery release latches toward the sides of the tablet.
The battery ejects slightly.



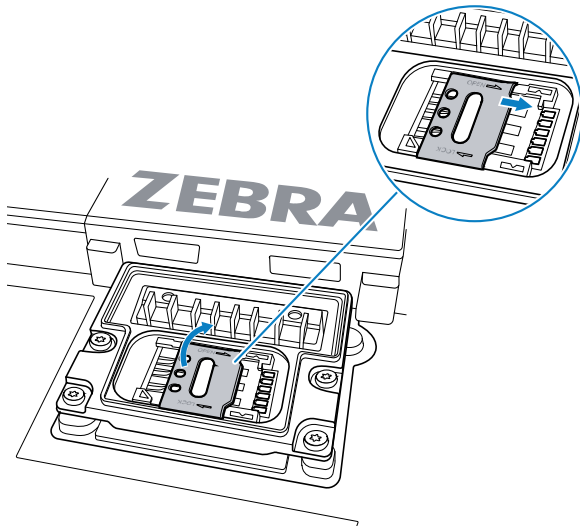
2. Lift the battery out of the tablet.



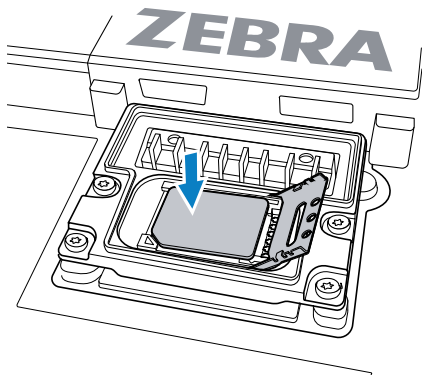
3. Lift the SIM cover.



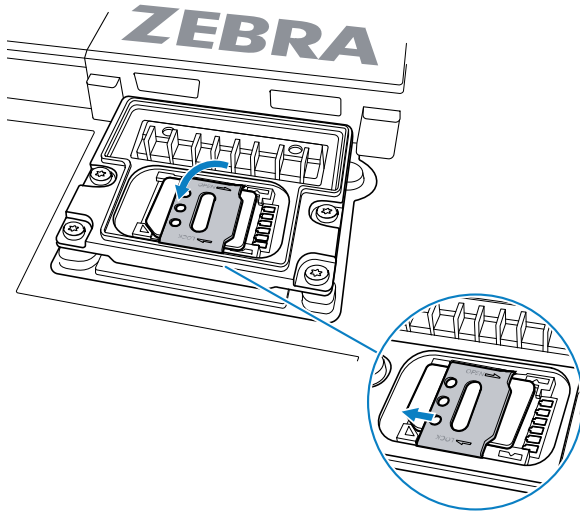
4. Slide the SIM holder to the unlock position.
5. Open the SIM holder.



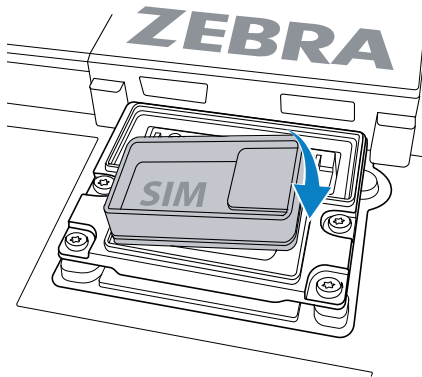
6. Place the SIM card face down.



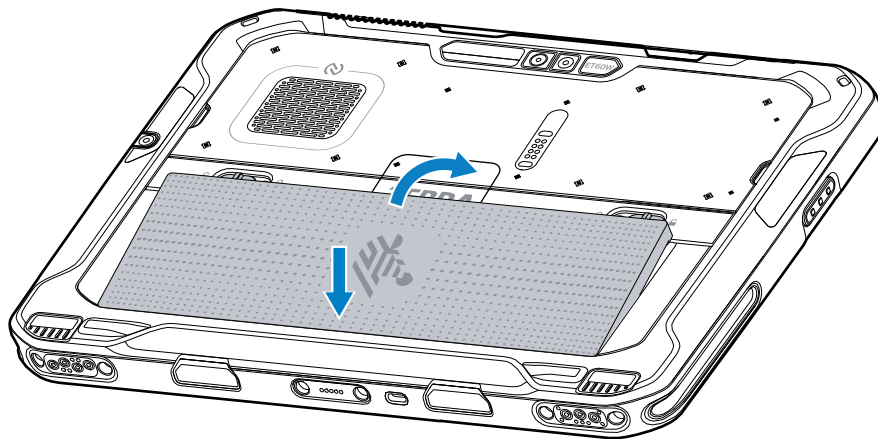
7. Close the SIM door.



8. Slide the SIM holder to the lock position.
9. Replace the SIM cover.



10. Insert the battery, bottom first, into the battery compartment at the back of the device.



11. Press the battery down into the compartment until the release latches snap into place.

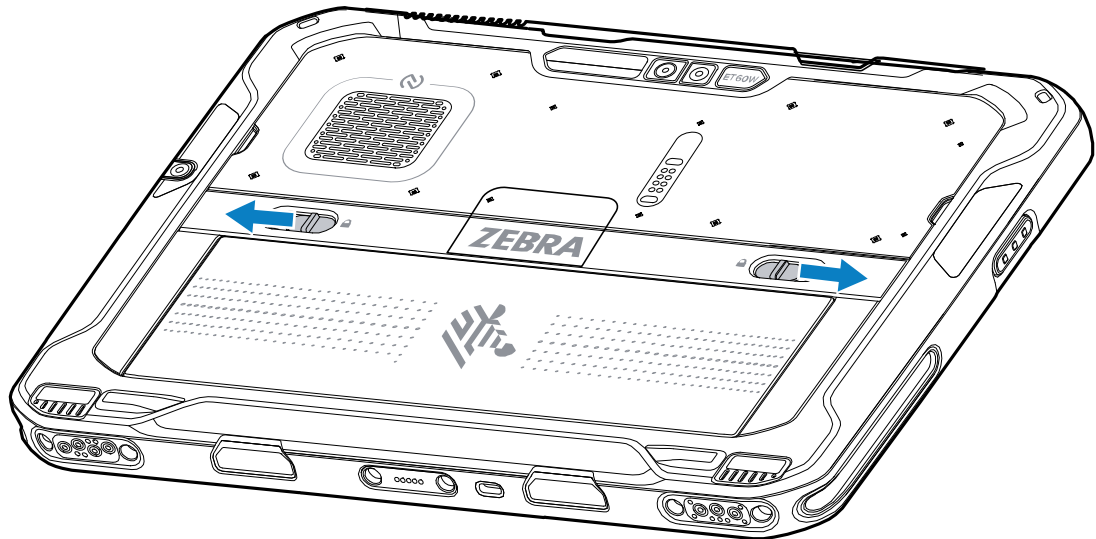
Replacing the Battery

This section describes how to replace the battery in the tablet.



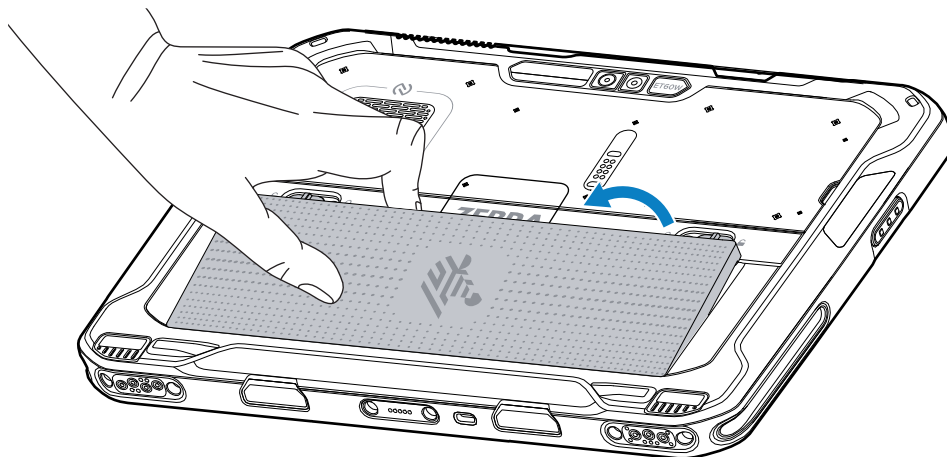
NOTE: User modification of the device, particularly in the battery well, such as labels, asset tags, engravings, stickers, etc., may compromise the intended performance of the device or accessories. Performance levels such as sealing (Ingress Protection (IP)), impact performance (drop and tumble), functionality, temperature resistance, etc. could be affected. **DO NOT** put any labels, asset tags, engravings, stickers, etc. in the battery well.

1. Slide the battery release latches toward the sides of the tablet.



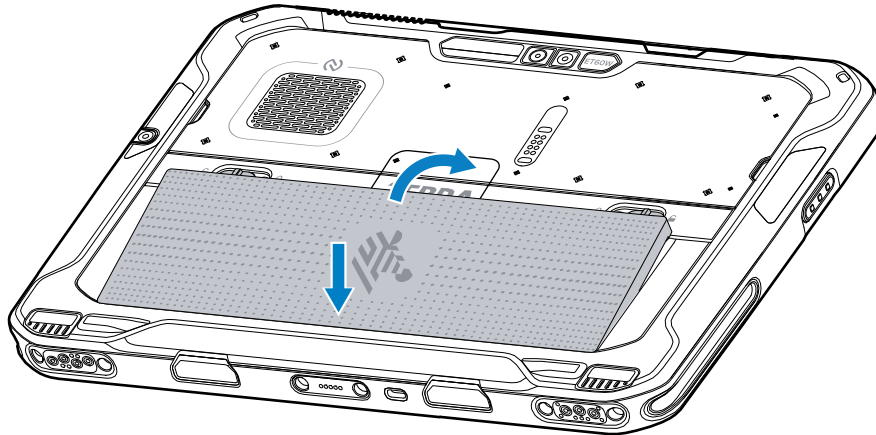
The battery ejects slightly.

2. Lift the battery out of the tablet.



NOTE: With Hot Swap mode, when the user removes the battery, the display dims. Replace the battery within 60 seconds to preserve memory persistence.

3. Insert the replacement battery, bottom first, into the battery compartment at the back of the device.



4. Press the battery down into the compartment until the release latches snap into place.
5. Press the Power button.

Device Charging

Before using the tablet for the first time, connect it to an external power source to charge the battery.



NOTE: Battery-free tablets do not require charging.

Keep the tablet connected to the external power source until fully charged. The Charging Indicator LED turns green when the tablet is fully charged. You may use the tablet while it is charging.

To charge the main battery, connect the charging accessory to the appropriate power source.

Insert the device into the dock or attach the USB charger. The device turns on and begins charging. The Charging Indicator LED blinks amber while charging, then turns solid green when fully charged.

The standard battery charges from 0% to 100% in approximately 2.5 hours. The extended battery charges from 0% to 100% in 5 hours. To achieve optimal charging results, use only Zebra charging accessories and batteries. Charge batteries at room temperature with the device off.

Charging Accessories

Use one of the following accessories to charge the tablet and spare batteries.

Table 5 Charging Accessories

Accessory	Part Number	Description
USB-C to AC Adapter	PWR-BGA15V45W-UC2-WW	Provides tablet charging only. Requires country-specific AC line cord.
2-slot Battery Charger	SAC-ET6X-2SCHG-01	Charges up to two standard or extended batteries. Requires power supply, DC line cord, and country-specific AC line cord.

Charging Indicators

Charge the battery before using the device.

Table 6 Charging Indicators

LED	Indication
Off	Power is not supplied to the device.
Solid Amber	The device is charging.
Solid Red	The device is charging, but the battery is at the end of its useful life.
Solid Green	The device is fully charged.
Solid Blue	A Battery-free tablet is connected to external power.

Charging Temperature

Charge batteries in ambient temperatures.

Charge batteries in ambient temperatures from 0°C to 45°C (32°F to 113°F). The device always performs battery charging in a safe and intelligent manner. At higher temperatures (e.g. approximately +37°C (+98°F)), the device may, for small periods of time, alternately enable and disable battery charging to keep the battery at acceptable temperatures. The device indicates when charging is disabled due to abnormal temperatures via its LED.

Spare Battery Charging

The Spare Battery Charging LED on the cup indicates the status of the spare battery charging. The standard battery charges from 4% to 80% in 2.5 hours. The extended battery charges from 4% to 80% in 5.5 hours.

To achieve optimal fast charging results, use only Zebra charging accessories and batteries.

Table 7 Spare Battery LED Charging Indicators

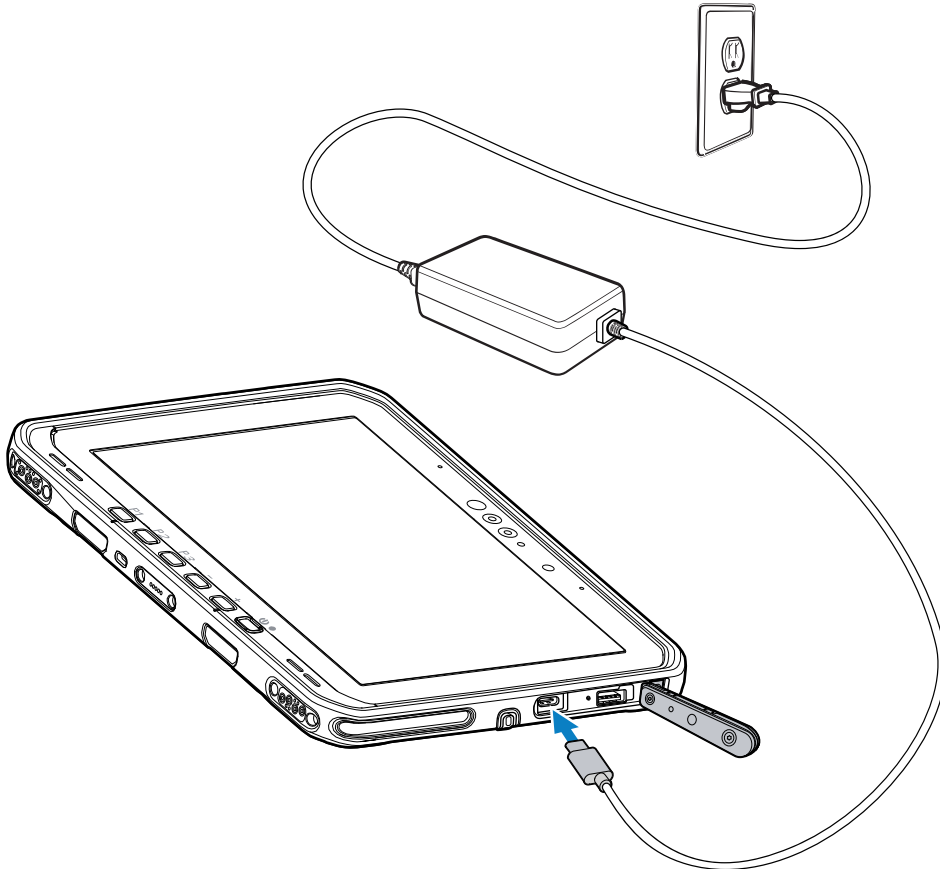
Indication	Description
Solid Amber	The spare battery is charging.
Solid Green	The spare battery charging is complete.
Solid Red	The spare battery is charging, and the battery is at the end of its useful life. Charging is complete, and the battery is at the end of its useful life.
Fast Blinking Red (2 blinks/second)	Error in charging; check the placement of the spare battery and battery at the end of its useful life.
Off	No spare battery in the slot. The spare battery is not placed in the slot correctly. The charger is not powered.

USB-C to AC Adapter

The USB-C to AC Adapter provides power to the tablet.



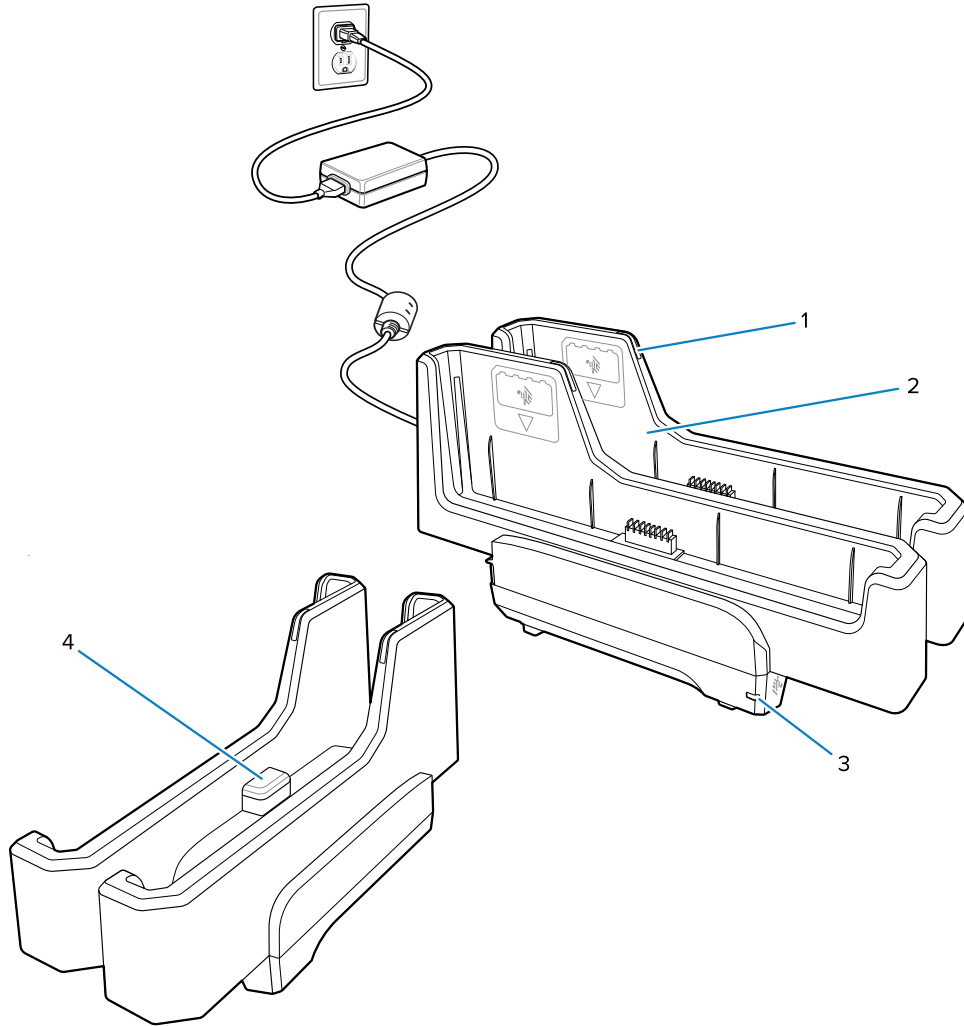
CAUTION: Ensure that you follow the guidelines for battery safety described in the ET6x Product Reference Guide.



2-Slot Battery Charger

Use the 2-slot Battery Charger to charge up to two standard or extended batteries.

Figure 5 2-Slot Battery Charger



1	Battery Charge LED
2	Battery slot
3	Power LED
4	USB-C port The USB-C port is a service connector only for firmware upgrades and is not intended for power charging.

See [Spare Battery Charging](#) on page 13 [Spare Battery Charging](#) on page 13 for more information.

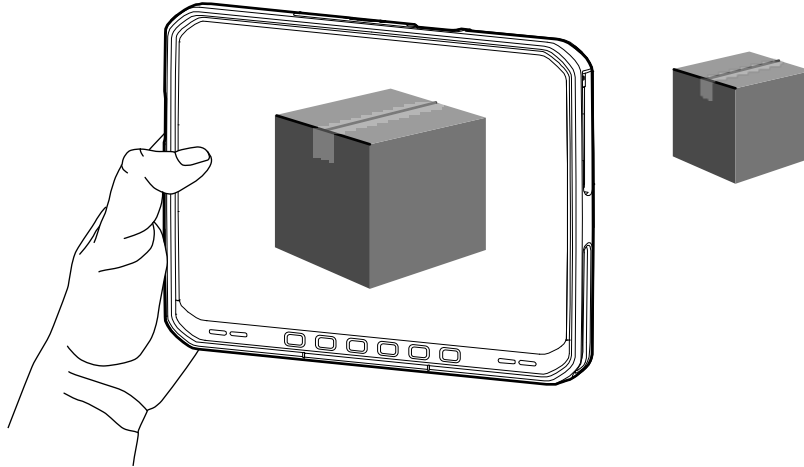
Using the Camera

Use the front or rear camera to take a photo or record a video.



NOTE: If using the front camera, move the front camera privacy switch to the open position.

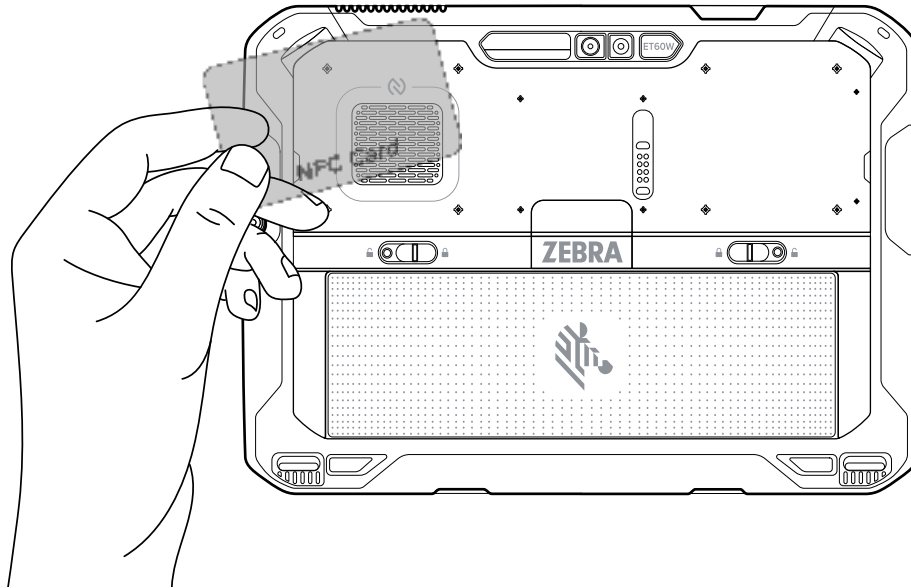
1. Open the Camera app.
2. Point the rear camera at an object.
3. Touch the on-screen shutter button to take a photo or record a video.



Reading NFC Cards

The tablet supports reading NFC cards. The NFC antenna is located on the back of the tablet under the NFC logo.

With an NFC-enabled application open, bring the NFC card toward the antenna. Depending upon the application, an audio or visual indication indicates a successful reading of the card.



Scanning with the Internal Scanner

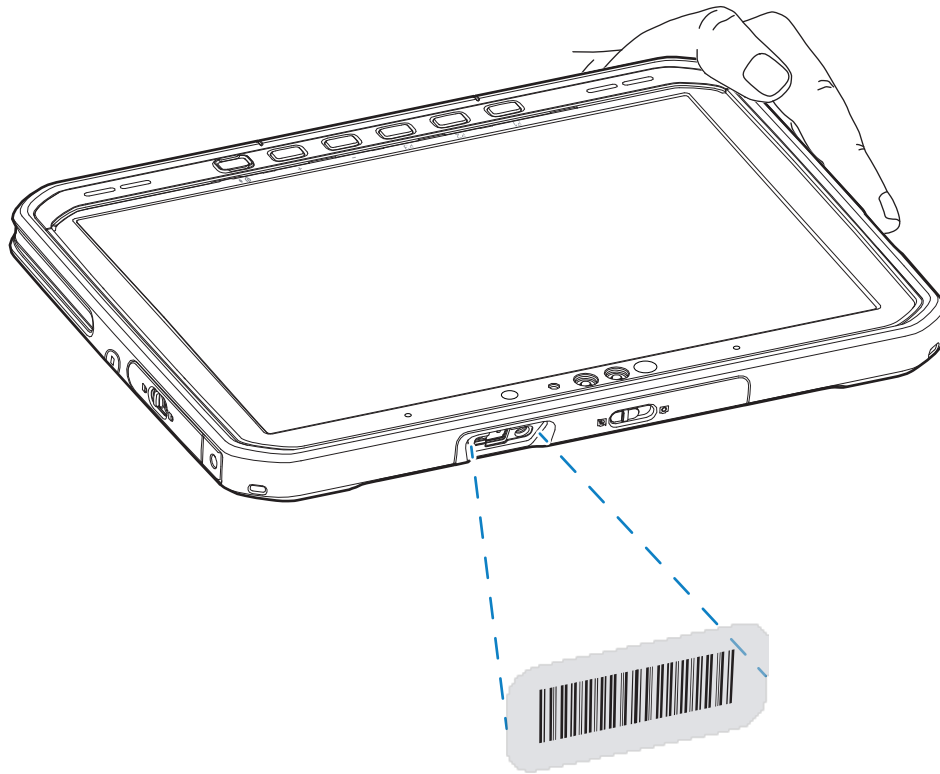
Use the internal imager to capture barcode data.



NOTE: Use the Zebra 123Scan utility to configure the scanner. Refer to zebra.com/us/en/support-downloads/software/scanner-software/123scan-utility.html.

1. Ensure that an app is open on the device, and a text field is in focus (the text cursor is in the text field).
2. Point the exit window of the device at a barcode.

3. Press and hold the scan button.



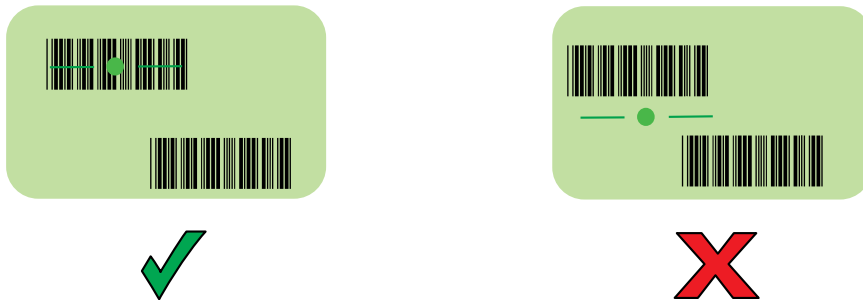
The aiming dot with illumination turns on to assist in aiming.

4. Ensure the barcode is within the area formed by the aiming pattern. The aiming dot is used for increased visibility in bright lighting conditions.

Figure 6 SE55 Aiming Pattern



Figure 7 SE55 Aiming for Pick List Mode with Multiple Barcodes



NOTE: When the device is in Pick List Mode, the device does not decode the barcode until the center of the crosshair touches the barcode.

A beep sounds, by default, to indicate the barcode was decoded successfully.

5. Release the scan button.
6. The captured data appears in the text field.

