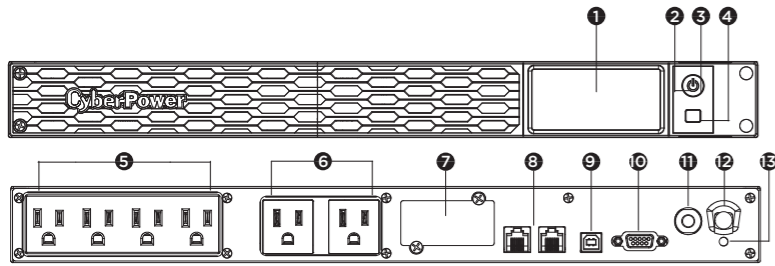


CP1000PFCRM1U / CP1500PFCRM1U USER MANUAL

FEATURES

1. LCD module display
2. Power On Indicator
3. Power Switch
4. LCD Function Selected Switch
5. Battery and Surge Protected Outlets
6. Full-Time Surge Protection Outlets
7. SNMP/HTTP Network Slot
8. Communication Protection Ports RJ45
9. USB Port to PC
10. DB9 port
11. Circuit Breaker
12. AC Input
13. Electrical Wiring Fault Indicator (Red)



PRODUCT REGISTRATION

Thank you for purchasing this CyberPower product. Please take a few minutes to register your product at: www.CyberPowerSystems.com/Registration. Registration certifies your product's warranty, confirms your ownership in the event of a product loss or theft and entitles you to free technical support. Register your product now to receive the benefits of CyberPower ownership.

IMPORTANT SAFETY INSTRUCTIONS (SAVE THESE INSTRUCTIONS)

This manual contains important instructions that should be followed during installation and maintenance of the UPS and batteries. Please read and follow all instructions carefully during installation and operation of the unit. Read this manual thoroughly before attempting to unpack, install, or operate.

CAUTION! To prevent the risk of fire or electric shock, install in a temperature and humidity controlled indoor area free of conductive contaminants. (Please see specifications for acceptable temperature and humidity range).

CAUTION! To reduce the risk of electric shock, do not remove the cover. There are no user serviceable parts inside except for the battery.

CAUTION! Hazardous live parts inside can be energized by the battery even when the AC input power is disconnected.

CAUTION! The UPS must be connected to an AC power outlet with fuse or circuit breaker protection. Do not plug into an outlet that is not grounded. If you need to de-energize this equipment, turn off and unplug the unit.

CAUTION! To avoid electric shock, turn off the unit and unplug it from the AC power source before installing a computer component.

CAUTION! Not for use in a computer room as defined in the Standard for the Protection of Electronic Computer/Data Processing Equipment, ANSI/NFPA 75.

CAUTION! To reduce the risk of fire, connect only to a circuit provided with 20 amperes maximum branch circuit over current protection in accordance with the National Electric Code, ANSI/NFPA 70.
DO NOT USE FOR LIFE SUPPORT EQUIPMENT! CyberPower Systems does not sell products for life support. **DO NOT** use in any circumstance that would

affect operation and safety of life support equipment.

CAUTION! DO NOT USE WITH OR NEAR AQUARIUMS! To reduce the risk of fire or electric shock, do not use with or near an aquarium. Condensation from the aquarium can cause the unit to short out.

CAUTION! DO NOT USE THE UPS ON ANY TRANSPORTATION! To reduce the risk of fire or electric shock, do not use the unit on any transportation such as airplanes or ships. The effect of shock or vibration caused during transit and the damp environment can cause the unit to short out.

CAUTION! DO NOT USE WITH LASER PRINTERS! The power demands of laser printers are too large for a UPS.

CAUTION! To reduce the risk of electric shock, do not remove the cover, except to service the battery. There are no serviceable parts inside, except for the battery.

CAUTION! For PLUGGABLE EQUIPMENT, the socket-outlet shall be installed near the equipment and shall be easily accessible.

WARNING: This product can expose you to chemicals including Styrene, which is known to the State of California to cause cancer, and Bisphenol-A, which is known to the State of California to cause birth defects or other reproductive harm. For more information, go to www.P65Warnings.ca.gov.

INSTALLING YOUR UPS SYSTEM

UNPACKING

Inspect the UPS upon receipt. The box should contain the following:

- (a) UPS unit
 - (b) User's manual
 - (c) Rack mount brackets
 - (d) USB A+B type cable
- *PowerPanel® Business software is available on our website. Please visit CyberPowerSystems.com and go to the Software Section for free download.**

OVERVIEW

The CP1000PFCRM1U / CP1500PFCRM1U provides automatic voltage regulation to correct for inconsistent utility power. The CP1000PFCRM1U / CP1500PFCRM1U features 1150 Joules of surge protection, and provides battery backup during power outages. The CP1000PFCRM1U / CP1500PFCRM1U ensures consistent power to your computer system and its included software will automatically save your open files and shutdown your computer system during a utility power loss.

HOW TO DETERMINE THE POWER REQUIREMENTS OF YOUR EQUIPMENT

1. Ensure that the equipment plugged into the UPS does not exceed the UPS unit's rated capacity. If the rated capacities of the unit are exceeded, an overload condition may occur and cause the UPS unit to shut down or the circuit breaker to trip.
2. There are many factors that can affect the amount of power that your electronic equipment will require. For optimal system performance keep the load below 80% of the unit's rated

capacity.

AUTOMATIC VOLTAGE REGULATOR

The CP1000PFCRM1U / CP1500PFCRM1U stabilizes inconsistent utility power. The incoming utility power may be damaging to important data files, but with Automatic Voltage Regulation, the computer will not experience damaging voltage levels. An Automatic Voltage Regulator automatically increases low voltage to a consistent, computer safe 110v/120v. The unit's powerful sealed lead-acid batteries will provide power only if the incoming voltage drops below 100v.

HARDWARE INSTALLATION GUIDE

1. Your new UPS may be used immediately upon receipt. However, after receiving a new UPS, to ensure the battery's maximum charge capacity, it is recommended that you charge the battery for at least 8 hours. Your UPS is equipped with an auto-charge feature. When the UPS is plugged into an AC outlet, the battery will automatically charge whether the UPS is turned on or turned off.
2. If you will use the software, connect the USB cable to the USB port on the UPS.
3. With the UPS unit turned off and unplugged, connect your computer, monitor, and any other peripherals requiring battery backup into the battery power supplied outlets. Plug the other peripheral equipment (e.g. printer, scanner, speakers, etc.) into the full-time surge protection outlets. **DO NOT** plug a laser printer, paper shredder, copier, space heater, vacuum cleaner, sump pump, or other large electrical device

INSTALLING YOUR UPS SYSTEM - Continued HARDWARE INSTALLATION GUIDE

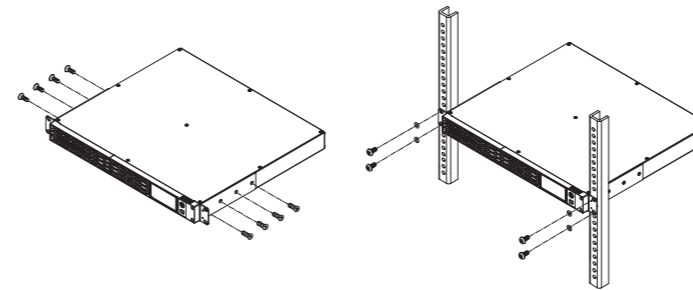
into the "Battery and Surge Protected Outlets". The power demands of these devices will overload and possibly damage the unit.

4. Plug the UPS into a 2 pole, 3 wire grounded receptacle (wall outlet). Make sure the wall branch outlet is protected by a fuse or circuit breaker and does not service equipment with large electrical demands (e.g. air conditioner, refrigerator, copier, etc.). The warranty prohibits the use of extension cords, outlet strips, and surge strips in conjunction with the UPS unit.
5. Press the power switch to turn the unit on. The Power On indicator light will illuminate green and the unit will "beep" twice.

6. If an overload is detected, an audible alarm will sound and the unit will emit one long beep. To correct this, turn the UPS off and unplug at least one piece of equipment from the battery power supplied outlets. Make sure the circuit breaker is depressed and then turn the UPS on.
7. To maintain optimal battery charge, leave the UPS plugged into an AC outlet at all times.
8. To store the UPS for an extended period of time, cover it and store with the battery fully charged. While in storage, recharge the battery every three months to ensure optimal battery life.
9. Ensure the wall outlet and UPS are located near the equipment being attached for proper accessibility.

RACK INSTALLATION (OPTION)

1. Use the provided pan head screws to attach the hanging brackets to the UPS.
2. Use the provided truss head screws to secure the UPS to your existing rack system.



REPLACING THE BATTERY

Read and follow the important safety instructions before servicing the batteries. Visit CyberPower official website www.cyberpowersystems.com or contact your dealer for more information about replacement batteries.

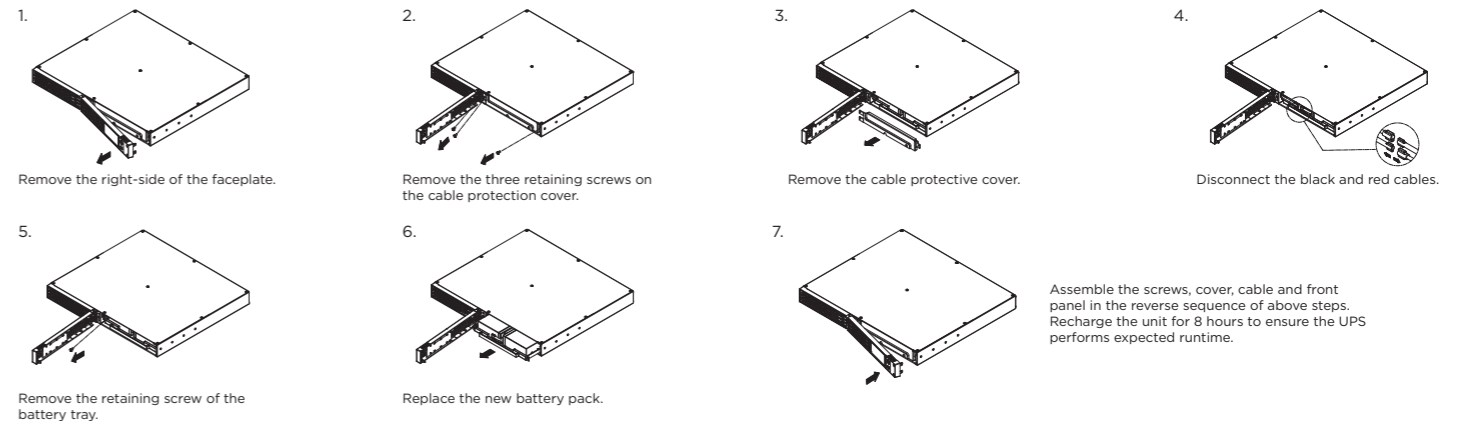
CAUTION! Read and follow the IMPORTANT SAFETY INSTRUCTIONS before servicing the battery. Service the battery under the supervision of personnel knowledgeable of batteries and their precautions.

CAUTION! When replacing batteries, replace with the same number of the following battery: CyberPower/RB0670X4 for CP1000PFCRM1U and CyberPower/ RB0690X4 for CP1500PFCRM1U. See your dealer for replacement batteries.

CAUTION! Risk of Energy Hazard, 24 V, maximum 9 Ampere-hour battery. Before replacing batteries, remove conductive jewelry such as chains, wrist watches, and rings. High energy through conductive materials could cause severe burns.

CAUTION! RISK OF EXPLOSION IF BATTERY IS REPLACED BY AN INCORRECT TYPE. DISPOSE OF USED BATTERIES ACCORDING TO THE INSTRUCTIONS.

CAUTION! The battery may present the risk of electrical shock. Do not dispose of batteries in a fire, the batteries may explode. Follow all local ordinances regarding proper disposal of batteries.



BASIC OPERATION

1. LCD module display

LCD Screen shows all the UPS information with icons and messages.

2. Power On Indicator

This LED is illuminated when the utility condition is normal and the UPS outlets are providing power, free of surges and spikes.

3. Power Switch

Master on/off switch for equipment connected to the battery power supplied outlets.

4. LCD Function Selected Switch

The switch can be used to select the LCD display contents including input/output voltage and estimated run time, etc.

5. Battery and Surge Protected Outlets

The unit has four battery powered/surge protected outlets for connected equipment to ensure temporary uninterrupted operation of your equipment during a power failure. (DO NOT plug a laser printer, paper shredder, copier, space heater, vacuum cleaner, sump pump or other large electrical devices into the "Battery and Surge Protected Outlets". The power demands of these devices may overload and damage the unit.)

6. Full-Time Surge Protection Outlets

The unit has two surge protected outlets.

7. SNMP/HTTP Network Slot

Remove the cover panel to install an optional RMCARD provides remote monitoring and management of your UPS over a network.

8. Communication Protection Ports RJ45

Communication protection ports, bi-directional, will protect a 10/100/1000 ethernet connection. (RJ45). *Not for telecommunication (telephone) network.

9. USB Port to PC

This port allows connection and communication from the USB port on the computer to the UPS unit. The UPS communicates its status to the PowerPanel® Business software.

10. DB9 Port

This port is used for connecting between the UPS and equipment designed to operate with contact signals.

11. Circuit Breaker

Located on the back of the UPS, the circuit breaker serves to provide overload and fault protection. Under normal operating conditions, the circuit breaker is depressed.

12. AC Input

Connect the AC Power cord to a properly wired and grounded outlet.

13. Electrical Wiring Fault Indicator (Red)

This LED indicator will illuminate to warn the user that a wiring problem exists, such as a bad ground, missed ground or reversed wiring. If this is illuminated, disconnect all electrical equipment from the outlet and have an electrician check to ensure the outlet is properly wired. The unit will not provide surge protection without being plugged into a grounded and properly wired wall outlet.

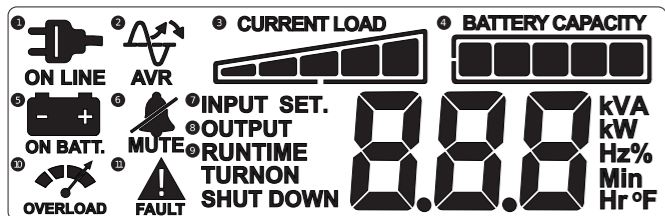
CAUTION! Do not open or mutilate batteries. Released material is harmful to the skin and eyes. It may be toxic.

CAUTION! A battery can present a risk of electrical shock and high short-circuit current. Contact with part of a grounded battery can result in electrical shock. The following precautions should be observed when working on batteries:

1. Remove all watches, rings or other metal objects.
2. Only use tools with insulated handles.
3. **DO NOT** lay tools or other metal parts on top of battery or any battery terminals.
4. Wear rubber gloves and boots.
5. Determine if the battery is inadvertently grounded. If inadvertently grounded, remove source of ground.

CONTACT WITH A GROUNDED BATTERY CAN RESULT IN ELECTRICAL SHOCK! The likelihood of such shock will be reduced if such grounds are removed during installation and maintenance (applicable to a UPS and a remote battery supply not having a grounded circuit). **CAUTION!** The used batteries are considered hazardous waste and must be disposed through recycling. Most retailers that sell lead-acid batteries collect used batteries for recycling, as required by local regulations.

DEFINITIONS FOR ILLUMINATED LCD INDICATORS



- ON LINE Icon**
This icon illuminates when the UPS is working under normal conditions.
- AVR (Automatic Voltage Regulation) Icon**
This icon appears whenever your UPS is automatically correcting low AC line voltage without using battery power. This is a normal, automatic operation of your UPS, and no action is required on your part.
- CURRENT LOAD Icon**
LOAD capacity: This meter displays the approximate output load level (in 20% increments) of the UPS battery outlets. Sensitivity setup: This meter is also used to setup the UPS sensitivity when you are in the programming mode. If the connected equipment can tolerate more power events (example: unstable power often associated with stormy weather), select Low Sensitivity and the UPS will go to Battery Mode less often. If the connected equipment is more sensitive to power events, select High Sensitivity and the UPS will go to Battery Mode more often.
- BATTERY CAPACITY Icon**
This meter displays the approximate charge level (in 20% increments) of the UPS's internal battery. During a blackout or severe brownout, the UPS switches to battery power, and the charge level will decrease.
- ON BATT Icon**
This icon will appear followed by an alarm (two short beeps) when there is a utility power loss, indicating that the UPS is now working using its internal batteries. Once the batteries are running out of power (over a period of time), the alarm will beep

rapidly every 1/2 second. If this happens and main power has not been restored, it is recommended that you save your files and turn off your equipment manually as soon as possible.

NOTE: If the ON BATT icon flashes, and the ON LINE icon appear simultaneously, this indicates that the batteries are not connected properly or that the batteries are worn out.

- MUTE Icon**
This icon appears when the UPS is in silent mode. However, when there is a problem with the UPS, the alarm will still beep even in silent mode.
- Input Voltage Meter**
This meter measures the AC voltage from the wall outlet. The INPUT voltage readout is used to identify the input voltage information. This can be used as a diagnostic tool to identify the quality of input power.
- Output Voltage Meter**
This meter measures, in real time, the AC voltage that the UPS is providing to your connected equipment via the UPS outlets.
- RUNTIME**
This displays how many minutes of runtime can be expected of the UPS if it were to experience a power outage.
NOTE: The number displayed may be less than actual runtimes for low loads.
- OVERLOAD Icon**
This icon will appear followed by an alarm, indicating that an overload condition has been reached. To recover from the overload condition, unplug equipment from the UPS outlets until the icon disappears and the alarm stops.
- FAULT Icon**
This icon appears if there is a problem with the UPS. Press the POWER button to turn the UPS off.
E02: Charger Fault-No Charge (Contact CyberPower Systems for support.)
E1: Battery Overvoltage (Contact CyberPower Systems for support.)
E21: Output Short (Check the status of equipment connected to the UPS and then turn on the UPS again.)
E22: Overload (Unplug at least one piece of equipment from battery outlets and turn the UPS on again.)

TECHNICAL SPECIFICATIONS

Model	CP1000PFCRM1U	CP1500PFCRM1U
Capacity	1000VA / 600W	1500VA / 900W
Nominal Input Voltage	120Vac	
Input Frequency	60 Hz ± 3 Hz	
AVR Function	Yes	
On-Battery Output Voltage	120Vac ± 5% *Under a test load of less than 60%. When the load exceeds 60%, the output voltage range may exceed 5%.	
On-Battery Output Wave Form	Sine Wave	
Size (W x H x D)	1U Rack, 433 x 44 x 388.7 (mm) / 17.05 x 1.73 x 15.30 (in)	
Weight	30.2 lbs / 13.7 kg	34 lbs / 15.4 kg
Replacement Battery	CyberPower / RB0670X4	CyberPower / RB0690X4
Typical Battery Recharge Time	8 hours *Recover to 90% after full load discharge	
Battery Type	Sealed Maintenance Free Lead Acid Battery	
Safety Approvals	UL1778, FCC class B, DOE, Energy star ¹ , CSA C22.2 No. 107.3	
Operating Temperature	32°F - 104°F / 0°C - 40°C	
Operating Relative Humidity	0% - 95% Non-condensing	
Operating Elevation	0 - 9,843 feet / 0 - 3,000 meters	
Storage Temperature	5°F - 113°F / -15°C - 45°C	
Storage Relative Humidity	0% - 95% Non-condensing	
Storage Elevation	0 - 49,213 feet / 0 - 15,000 meters	

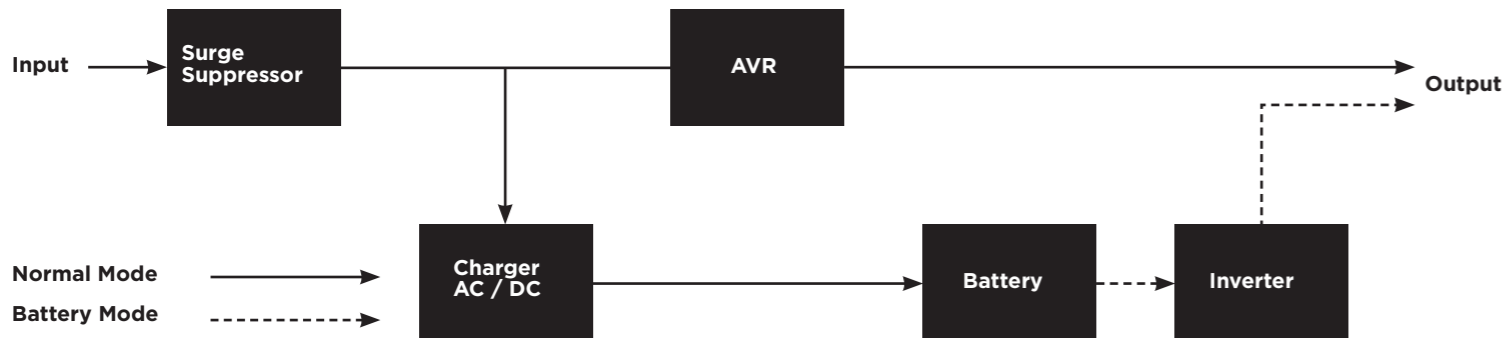
¹Battery recharges 48 hours to 100% capacity based on Energy Star efficiency test standard.

TROUBLESHOOTING

Problem	Possible Cause	Solution
Full-time surge protection outlets stop providing power to equipment.	Circuit breaker has tripped due to an overload.	Turn the UPS off and unplug at least one piece of equipment. Wait 10 seconds, reset the circuit breaker by depressing the button, and then turn the UPS on.
The UPS does not provide expected runtime.	Battery is not fully charged.	Recharge the battery by leaving the UPS plugged in.
	Battery is slightly worn out.	Please contact CyberPower Systems about replacement batteries.
The UPS will not turn on.	The on/off switch is designed to prevent damage by rapidly turning it off and on.	Turn the UPS off. Wait 10 seconds and then turn the UPS on.
	The battery is worn out.	Please contact CyberPower Systems about replacement batteries.
	Mechanical problem.	Please contact CyberPower Systems.
PowerPanel® Business software is inactive (all icons are gray).	The USB cable is not connected.	Connect the USB cable to the UPS unit and an open USB port on the computer.
	The USB is connected to the wrong port	Check the computer for an additional USB. Move the cable to this port.
	The unit is not providing battery power.	Shutdown your computer and turn the UPS off. Wait 10 seconds and turn the UPS on. This should reset the unit.

Additional troubleshooting information can be found under "Support" at www.cyberpowersystems.com

SYSTEM FUNCTIONAL BLOCK DIAGRAM



CYBERPOWER GREENPOWER UPS™ TECHNOLOGY

Advanced Energy-Saving Patented Bypass Technology

CyberPower's patented GreenPower UPS™ with Bypass Technology reduces UPS energy costs by up to 75% compared to conventional UPS models. Even when utility power is normal, conventional UPS models constantly pass power through a transformer. By contrast, under normal conditions the advanced circuitry of a GreenPower UPS™ bypasses the transformer. As a result, the power efficiency is significantly increased while decreasing waste heat, using less energy, and reducing energy costs. When an abnormal power condition occurs, the GreenPower UPS™ automatically runs power through its transformer to regulate voltage and provide "safe" power. Since utility power is normal over 88% of the time, the GreenPower UPS™ operates primarily in its efficient bypass mode. The GreenPower UPS™ is also manufactured in accordance with the Restriction on Hazardous Substances (RoHS) directive making it one of the most environmentally-friendly on the market today.

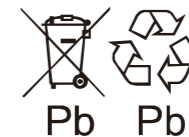


DISPOSAL



The Waste Electrical and Electronic Equipment (WEEE) Directive aims to contribute to sustainable production and consumption by contributing to the efficient use of resources and the retrieval of secondary raw materials through re-use, recycling and other forms of recovery. The symbol on this product and/or its packaging indicates that the product must be disposed of separately from ordinary household wastes at its end of life. Contact your related WEEE management authority, local office, or your household waste disposal service about information on the recycling drop off site.

BATTERY DISPOSAL



This product contains non-spillable lead acid batteries. The used batteries are considered hazardous waste and must be disposed through recycling. Do not dispose of used batteries with your ordinary household wastes. Dispose of the batteries according to the local regulations.
Note: Most retailers that sell lead-acid batteries collect used batteries for recycling, as required by the local regulations.

FCC COMPLIANCE STATEMENT

This device complies with part 15 of the FCC rules. Operation is subject to the following two conditions: (1) this device may not cause harmful interference, and (2) this device must accept any interference received, including interference that may cause undesired operation.



Note: This equipment has been tested and found to comply with the limits for a Class B digital device, pursuant to part 15 of the FCC Rules. These limits are designed to provide reasonable protection against harmful interference in a residential installation. This equipment generates, uses, and can radiate radio frequency energy and, if not installed and used in accordance with the instructions, may cause harmful interference to radio communications. However, there is no guarantee that interference will not occur in a particular installation. If this equipment does cause harmful interference to radio or television reception, which can be determined by turning the equipment off and on, the user is encouraged to try to correct the interference by one or more of the following measures:
- Reorient or relocate the receiving antenna.
- Increase the separation between the equipment and receiver.
- Connect the equipment to an outlet on a circuit different from that to which the receiver is connected.
- Consult the dealer or an experienced radio/TV technician for help.

Warning: Changes or modifications not expressly approved by the party responsible for compliance could void the user's authority to operate the equipment.

Canadian Compliance Statement
CAN ICES-003 (B)/NMB-003(B)

LIMITED WARRANTY AND CONNECTED EQUIPMENT GUARANTEE

Please visit www.CyberPowerSystems.com for a copy of the Limited Warranty and Connected Equipment Guarantee.
Where Can I Get More Information?
The application of the United Nations Convention of Contracts for the International Sale of Goods is expressly excluded. CyberPower is the warrantor under this Limited Warranty. For further information please feel free to contact CyberPower at: Cyber Power Systems (USA), Inc. 4241 12th Ave E., STE 400, Shakopee, MN 55379; call us at (877) 297-6937; or submit a web ticket online at cyberpowersystems.com/support. Cyber Power Systems (USA), Inc. encourages environmentally sound methods for disposal and recycling of its UPS products. Please dispose and/or recycle your UPS and batteries in accordance to the local regulations of your state.

WARNING: This product can expose you to chemicals including bisphenol A (BPA) and styrene, which is known to the State of California to cause reproductive harm and cancer. For more information, go to www.P65Warnings.ca.gov.

© 2024 Cyber Power Systems (USA), Inc. CyberPower®, the CyberPower logo and PowerPanel® are registered trademarks of Cyber Power Systems (USA), Inc. All rights reserved. All other trademarks used are property of their respective owners.