

RtR Speaker Systems are designed to the highest possible value and performance standards. Our confidence in their quality is such that RtR offers customers this transferable two-year limited warranty:

RtR Speaker Systems Two-Year Limited Warranty

If the RtR speaker system proves to be defective in materials or workmanship within two years from the date of the original customer's purchase, we will, at our option, repair or replace the defective product.

DISCLAIMER

THE WARRANTY STATED HEREIN IS IN LIEU OF ALL OTHER WARRANTIES, EXPRESS OR IMPLIED, INCLUDING MERCHANTABILITY AND FITNESS FOR PARTICULAR PURPOSE AND ALL OTHER LIABILITIES AND OBLIGATIONS OF RTR, ALL OF WHICH ARE EXPRESSLY DISCLAIMED. RTR HAS NOT MADE AND DOES NOT HEREBY MAKE ANY OTHER REPRESENTATION, WARRANTY OR COVENANT WITH RESPECT TO THE CONDITION, QUALITY, DURABILITY, DESIGN, OPERATION, CAPACITY, FITNESS FOR USE OR SUITABILITY OF THE RTR SPEAKER SYSTEMS.

Exclusion of Certain Damages

RtR's liability for any defective product is limited to repair or replacement of the product at our option. RtR shall not be liable for incidental or consequential damages of any kind or character because of product defects.

Some states do not allow limitations on implied warranties and/or do not allow the exclusion or limitation of incidental or consequential damages, so the above limitations and exclusions may not apply.

This Warranty Does Not Cover:

Damage caused by abuse, accident, misuse, negligence, or improper operation.

Products that have been altered or modified.

Any product whose serial number has been altered, defaced, or removed.

Normal wear and maintenance.

Damages caused by shipping. (All claims for shipping damage must be made with the carrier.)

Warranty Service

Warranty service must be performed by an authorized service center, usually a B-I-C speaker systems dealer or its authorized agent. You may obtain a list of authorized service centers by calling the number below.

All warranty repairs must be accompanied by the original bill of sales. No other document is acceptable or is required.

This warranty gives you specific legal rights, and you may also have other rights which vary from state to state.

Due to our continual efforts to improve product quality as new technology and techniques become available, RtR reserves the right to revise Speaker Systems specifications without notice.



a B-I-C America Company

Owner's Manual & Warranty Information



Model V44-2

3-Way Indoor/Outdoor Bookshelf Speaker System Weather-Resistant for Outdoor Use

SPECIFICATIONS

Frequency Response	80 Hz-20kHz
Characteristic Sensitivity	89dB @ 1 watt, 1 meter
Driver Components	4" Woofer, 2" Midrange, 1/2" Tweeter
Nominal Impedance	8 ohms
Protection	Self-Resetting Thermal Breaker & Hi-Pass Filter
Undistorted Amp Power	5 - 80 watts/front, 5 - 100 watts/rear
Dimensions	8" H x 5.6" W x 5.25" D
Shipping Weight	8 lbs.



TM

a B-I-C America Company

B-I-C America

925 N. Shepard Street

Anaheim, CA 92806

www.bicamerica.com

For tech support call 1-877-558-4242 (4BIC)

RtR is a licensed trademark

Designed and engineered in the U.S.A. by

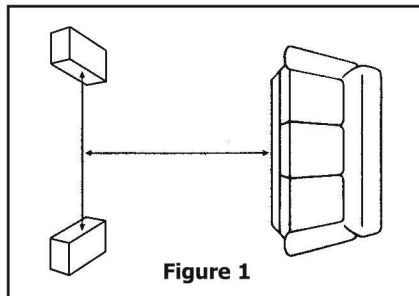


a B-I-C America Company

Unpacking

Carefully remove your new RtR speakers from the box. Inspect the speakers for transit damage. If you discover damage, contact your dealer immediately. Save your carton — it is the best possible protection for your speakers should you ever have a need to move them.

The Optimum Listening Position (2 speakers)



Note: the distance between yourself and the point directly between the speakers is slightly (roughly 20%) greater than the distance between the two speakers

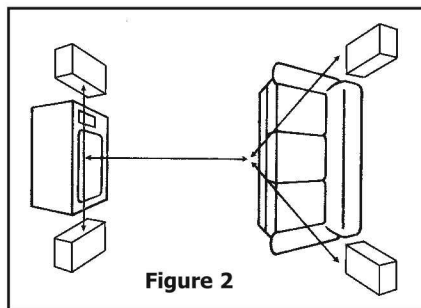
The Distance Between Each Speaker (Stereo Pair)

This part will require some experimentation and is somewhat dependent on the size of the listening area. However, as a general rule, the best results are usually attained when the speakers are from 6 feet to 12 feet apart. In larger rooms, greater distance between the speakers is possible but may require angling in of the speakers for the maximum stereo effect (See Figure 1).

Surround Sound Listening Position

Refer to Figure 2 for surround speaker placement. Front-channel speakers should be placed at least 6 feet apart (TV/monitor center) to create proper stereo imaging. The rear-channel surround speakers should be positioned behind and slightly to the sides of the viewer/listener. It may take some experimentation with different locations for the surround speakers to suit your preference and your room.

The Optimum Listening Position (4 speaker surround)



Once you have determined the placement for your RtR speakers, you have numerous possibilities for mounting to the wall. Figure 3 shows the rear of the speaker and what the mounting hole is designed for.

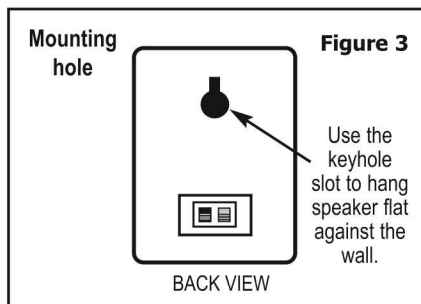
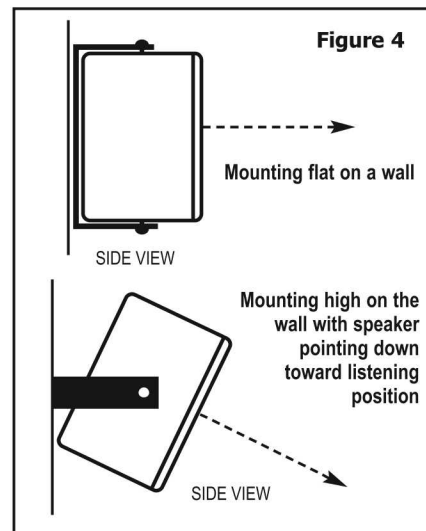


Figure 4 depicts mounting with the supplied wall bracket. Be certain the type of anchor and material you are mounting the anchor into are capable of holding the weight of the speaker. Good drywall mounting hardware is available from your local hardware store. In all cases, every effort should be made to run the wires in the wall and exit in the location of the input connectors to provide the cleanest room appearance.

Outdoor Use

The V44 is weather-resistant and can be used in outdoor locations that are not in direct sunlight or rain (such as under an eave). It is recommended to take them indoors when they will not be used for long periods of time (such as winter).

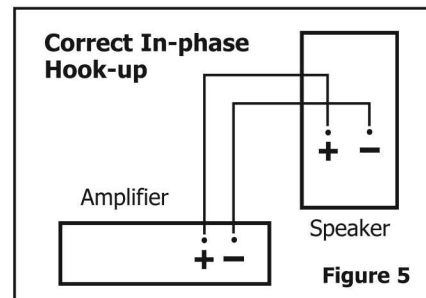


Hooking Up Your New Speakers

STOP! - Make sure that you consult your amplifier's owner's manual regarding speaker hook-up. Your amplifier should be turned off throughout this procedure.

The speaker wire is polarity coded red (+) positive and black (-) negative. On the back of your amplifier, each channel is probably labeled (+) and (-) as well as color coded red for (+) positive and black for (-) negative. RtR speaker terminals are color coded red for (+) positive and black for (-) negative. Be sure to hook (+) to (+), (red to red), and (-) to (-), (black to black). (See Figure 5.)

All connections should be tight and close fitting. Inspect connections for frays and stray strands of wire touching both (+) and (-) terminals. (This will cause a short and, perhaps, damage your equipment.)



Caring for Your Speakers

TO CLEAN: Due to its weather-resistant construction, the enclosure can be cleaned with a damp soft cloth. The grille can also be cleaned with a small hand vacuum.

Troubleshooting and Service

B-I-C speakers do not use external fuse protection or circuit breakers because these devices tend to impede sound quality and may only protect the speaker to a marginal degree. Rather, we use components and designs of the highest caliber as an effective method of protecting the speaker. However, no amount of protection will prevent damage caused by defective associated equipment or extreme abuse.

If your speaker has no output, first try to determine if it is indeed a speaker problem. Determine whether the problem exists in both speakers. If it does, the problem likely originates in some other component in the system. If the problem is in one speaker only, reverse your speaker leads (left to right, right to left). If the problem moves to the other channel, the issue is not the speakers.

If you have determined that your speaker is not functioning properly, or you have questions, please contact B-I-C America at 877-558-4242.



a B-I-C America Company

B-I-C America
Customer Service
925 N. Shepard Street
Anaheim, CA 92806
www.bicamerica.com