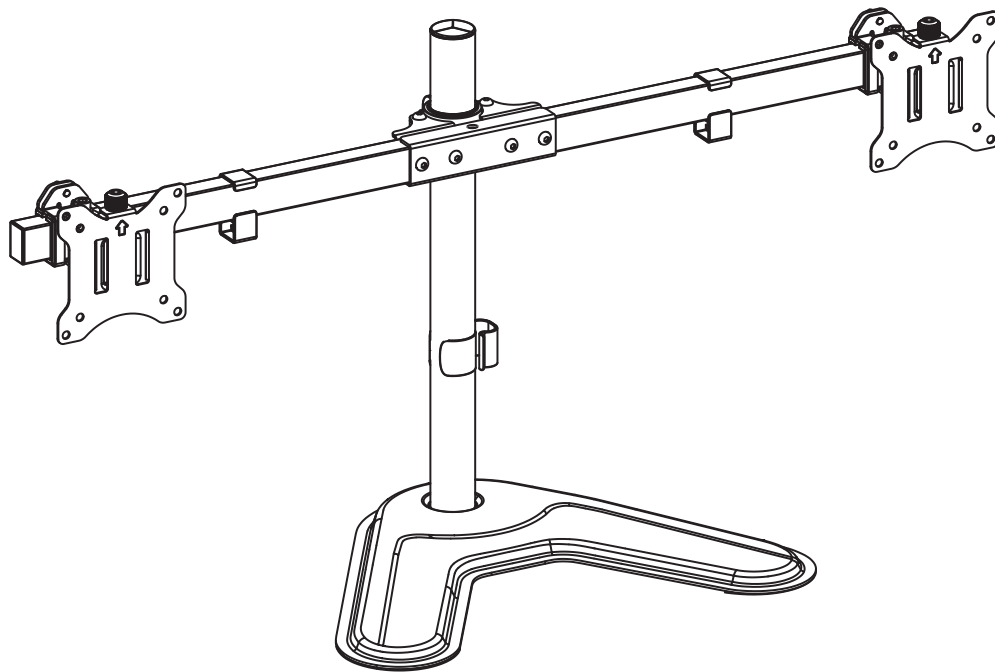


# ErgoReach EP2

## POLE MOUNT DUAL SCREEN MONITOR STAND



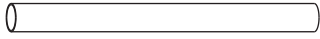
### User Manual Y10N003-B1

VESA Compatible  
75x75 100x100

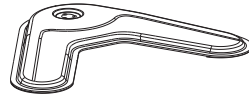
32"  
MAX

9kg (x2)  
19.8lbs(x2)

# Package Content



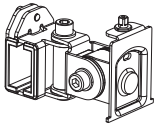
x1  
**A**



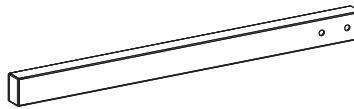
x1  
**B**



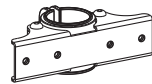
x2  
**C**



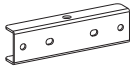
x2  
**D**



x2  
**E**



x1  
**F**



x1  
**G**



x1  
**H**



x1  
**I**



x2  
**J**



4mm - x1  
**K**



6mm - x1  
**L**



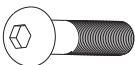
M3x8 - x2  
**P-A**



x2  
**P-B**



M4x5 - x2  
**P-C**

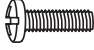

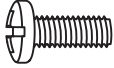






M6x27 - x4  
**P-D**



M6X16 - x3  
**P-E**

# Package Content

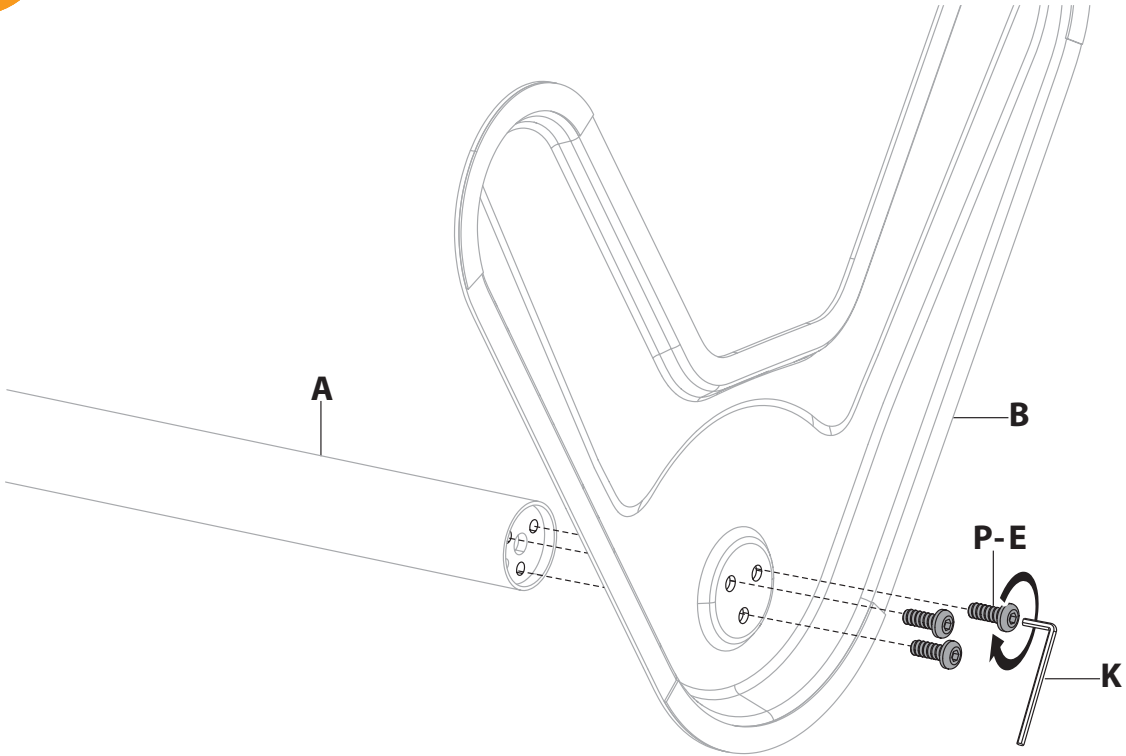
2X		
 M4x12 - x4 <b>M-A</b>	 M4x16 - x4 <b>M-B</b>	 M5x12 - x4 <b>M-C</b>
 M5x16 - x4 <b>M-D</b>	 D5 x4 <b>M-E</b>	 x4 <b>M-F</b>

 The following tools required for proper installation:

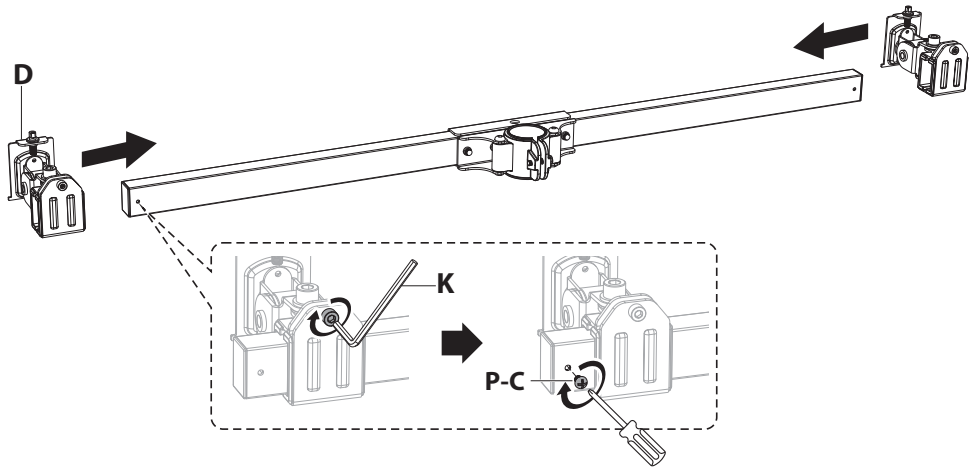
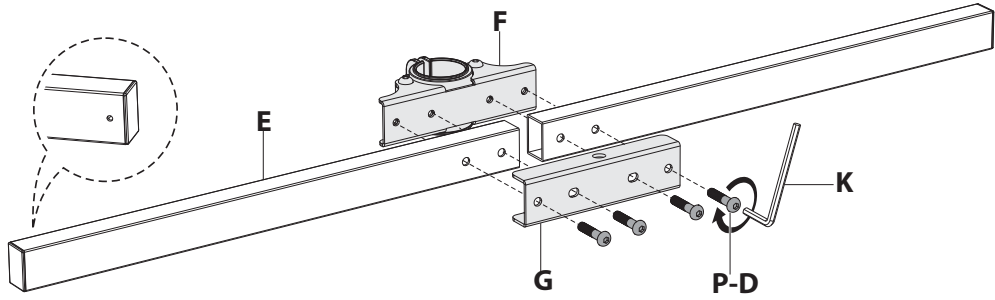


Phillips Screwdriver

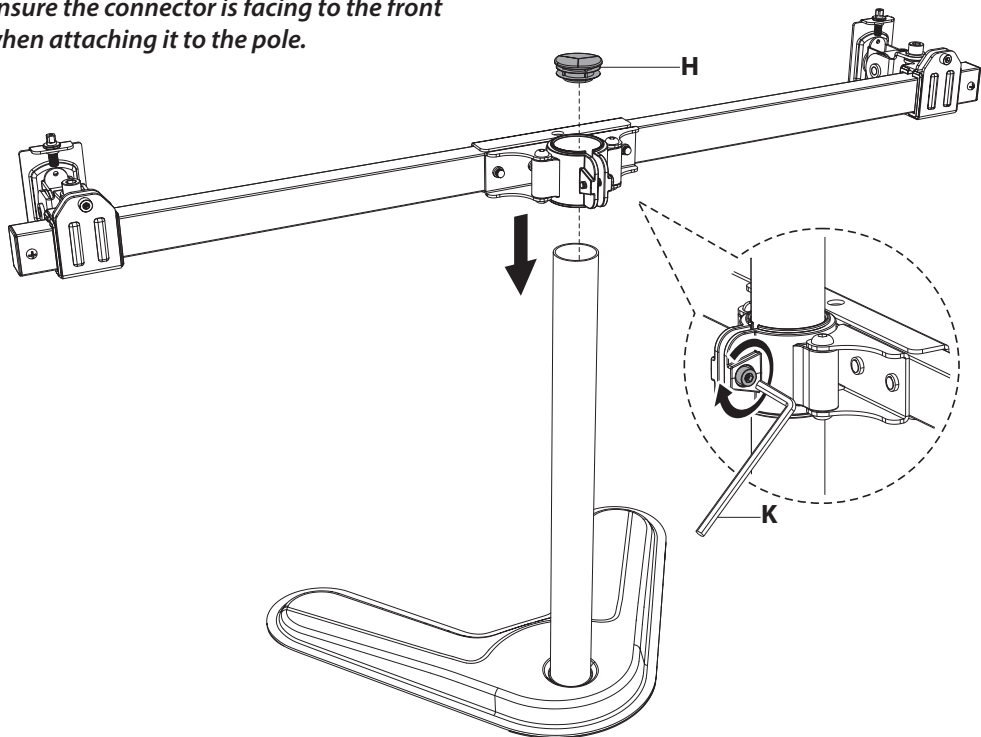
1



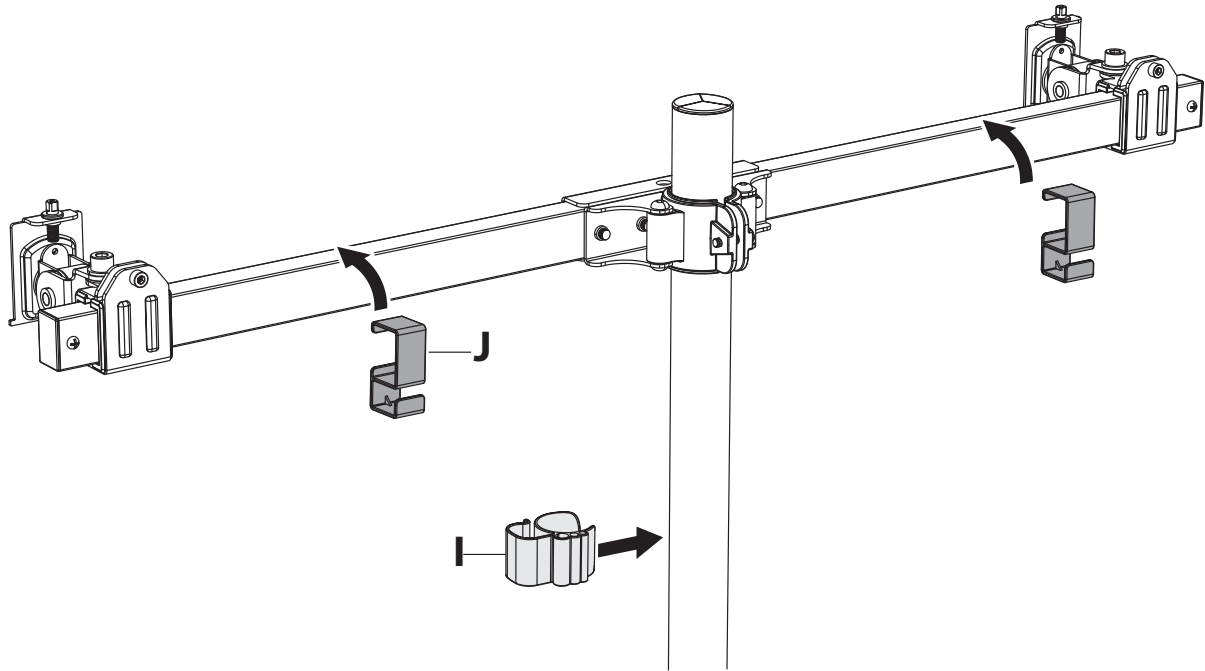
2



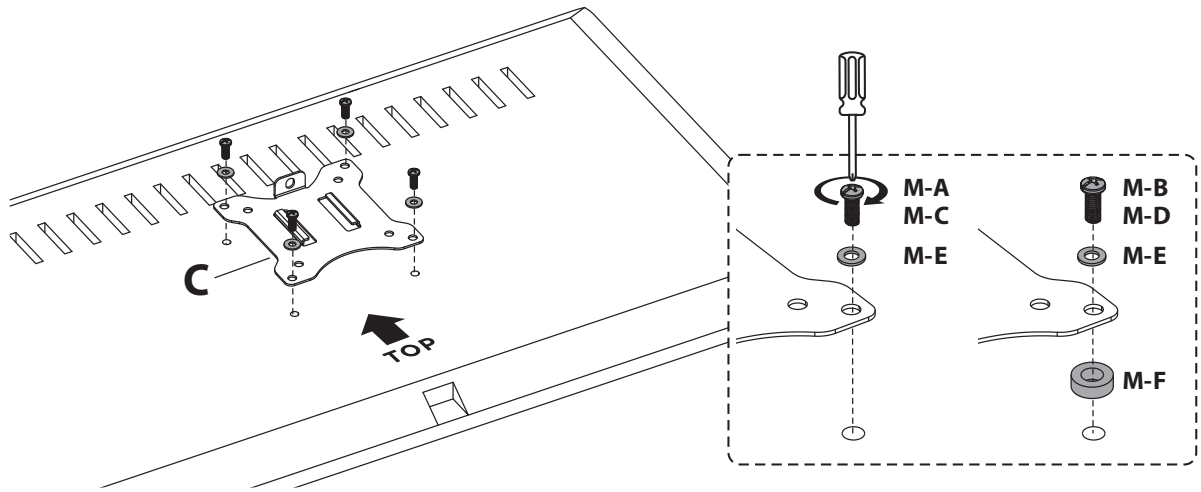
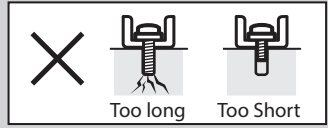
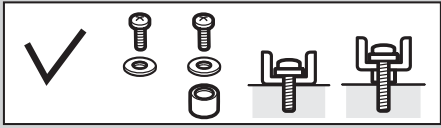
*Ensure the connector is facing to the front when attaching it to the pole.*



# 3



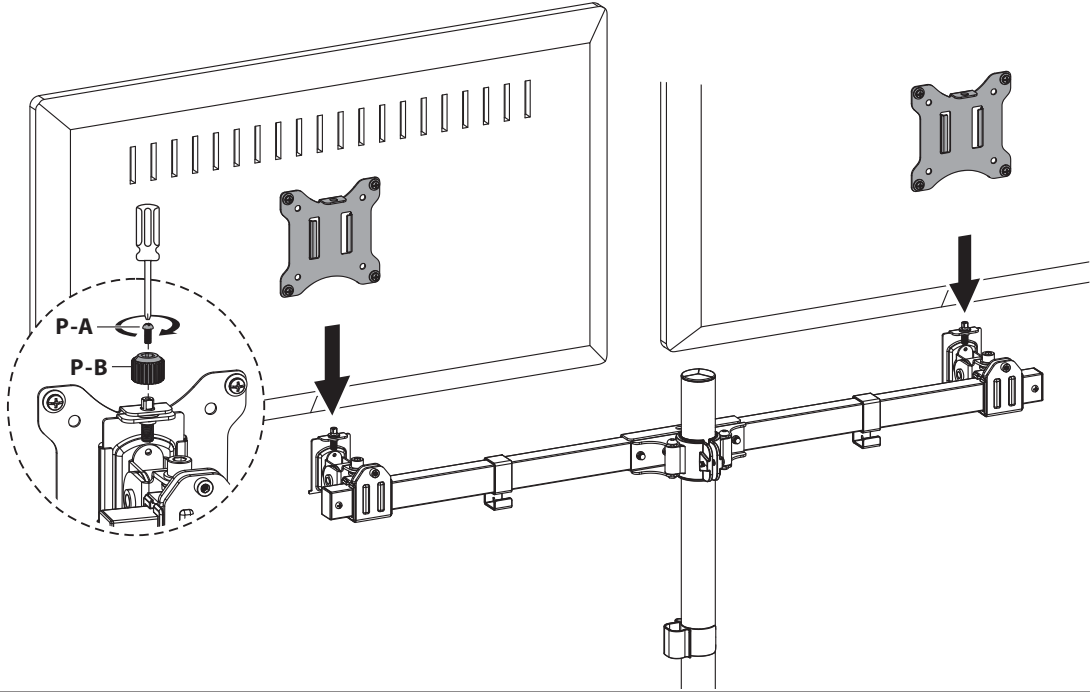
# 4



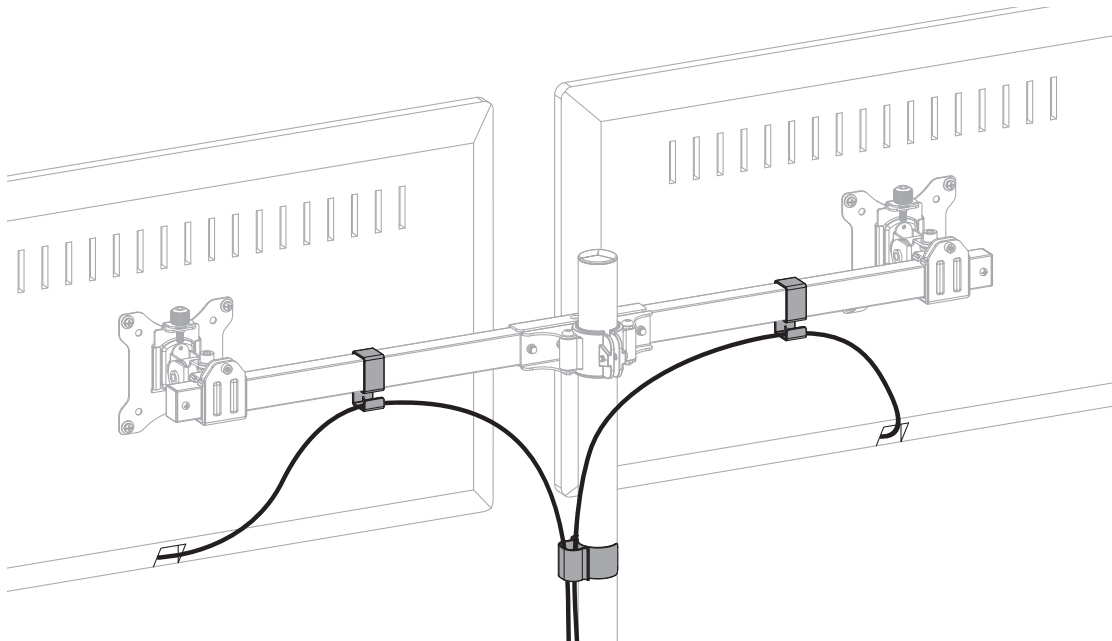
5



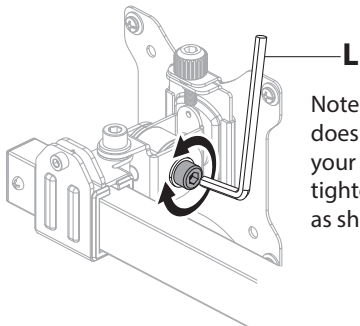
**CAUTION:** Please make sure you attach same monitors on the table stand otherwise the table stand might be inverted Also, while you are installing a montitor on the one side, another person should hold the other side of the mount to keep the table stand stable



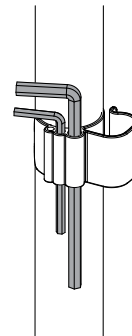
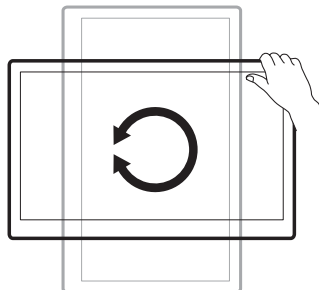
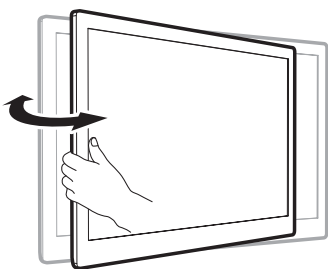
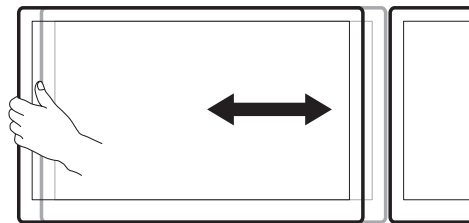
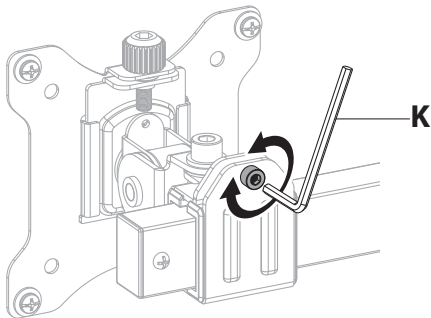
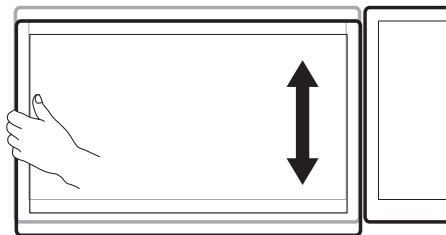
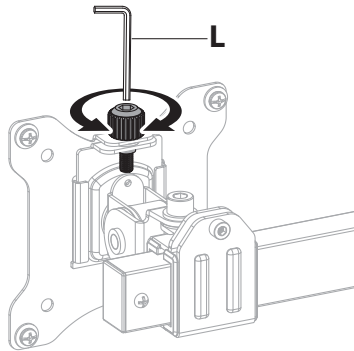
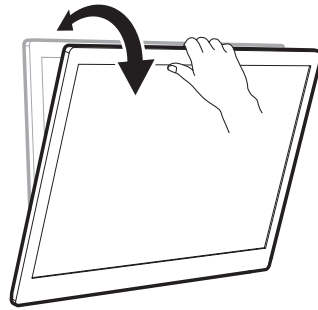
6



# 7



Note: If the display does not stop at your desired position, tighten the screws as shown.





Safety

Seguridad

Sécurité

Veiligheid

Sicherheit

Sicurezza



**EN** **WARNING:** Given the potential variability of mounting surface materials, it is crucial to verify that the mounting surface is sufficiently robust to support the installed product and equipment.

**ES** **¡Advertencia:** Dada la posible variabilidad de los materiales de la superficie de montaje, es fundamental verificar que la superficie de montaje sea lo suficientemente resistente para soportar el producto y el equipo instalados.

**FR** **Avvertissement :** En raison de la variabilité potentielle des matériaux de surface de montage, il est impératif de vérifier que la surface de montage est suffisamment solide pour supporter le produit et l'équipement installés.

**DE** **Warnung:** Aufgrund der möglichen Unterschiede in den Materialien der Montageoberfläche ist es unerlässlich zu überprüfen, ob die Montagefläche ausreichend stabil ist, um das installierte Produkt und die Ausrüstung zu tragen.

**JA** 警告: 取り付け面材料の変動が広範囲にわたる可能性があるため、取り付けられた製品と機器をサポートできるだけの十分な強度があるかどうかを確認することが極めて重要です。

**ZH** \*\*警告: \*\*由于安装表面材料可能存在广泛差异, 务必验证安装表面足够坚固, 以支撑安装的产品和设备。

**NL** **Waarschuwing:** Gezien de potentiële variabiliteit van de materialen van het montagesoppervlak, is het van cruciaal belang om te controleren of het montagesoppervlak voldoende sterk is om het geïnstalleerde product en de apparatuur te ondersteunen.

**IT** **Avvertenza:** Date le potenziali variazioni dei materiali della superficie di montaggio, è cruciale verificare che la superficie di montaggio sia sufficientemente robusta per sostenere il prodotto e l'attrezzatura installati.  
Turkish (TR):

**TR** **Uyarı:** Montaj yüzey malzemelerinin geniş bir şekilde değişebileceği göz önüne alındığında, montaj yüzeyinin monte edilen ürünü ve ekipmanı taşımak için yeterince güçlü olduğunu doğrulamanız gerekmektedir.



**EN** **WARNING!** Stored Energy Risk. The arm mechanism is under tension and will autonomously elevate when attached equipment is detached. Consequently, **NEVER** disengage equipment unless the arm has reached its utmost position! Neglecting this directive could lead to severe personal injury and/or equipment damage.

**ES** **¡ADVERTENCIA!** Riesgo de Energía Almacenada. El mecanismo del brazo está bajo tensión y se elevará de forma autónoma cuando se retire el equipo conectado. Por lo tanto, **NUNCA** desactive el equipo a menos que el brazo haya alcanzado su posición más alta. Ignorar esta directiva podría resultar en lesiones personales graves y/o daños al equipo.

**FR** **AVERTISSEMENT !** Risque lié à l'énergie stockée. Le mécanisme du bras est sous tension et s'élèvera automatiquement dès que l'équipement attaché sera détaché. Par conséquent, **NE DÉTACHEZ JAMAIS** l'équipement à moins que le bras n'ait atteint sa position la plus élevée ! Ne pas suivre cette directive pourrait entraîner de graves blessures personnelles et/ou des dommages à l'équipement.

**DE** **WARNUNG!** Gefahr durch gespeicherte Energie. Der Armmechanismus steht unter Spannung und wird sich autonom nach oben bewegen, sobald das angeschlossene Gerät entfernt wird. Daher **NIEMALS** das Gerät entfernen, es sei denn, der Arm hat seine höchste Position erreicht! Die Nichtbeachtung dieser Anweisung kann zu schweren persönlichen Verletzungen und/oder Geräteschäden führen.

**JA** 警告! 蓄積されたエネルギーのリスク。アームメカニズムは張力の状態であり、取り付けられた機器が取り外されると自動的に上昇します。したがって、アームが最高位置に達するまで、機器を取り外さないでください!この指示に従わないと、重大な個人的なけがや機器の損傷の原因となる可能性があります。

**ZH** 警告! 储存能量风险。手臂机构处于张力状态,一旦拆下附加设备,它将自动上升。因此,除非手臂达到最高位置,否则绝对不要拆卸设备!不遵守此指令可能导致严重的个人伤害和/或设备损坏。

**NL** **WAARSCHUWING!** Risico van opgeslagen energie. Het armmechanisme staat onder spanning en zal automatisch omhoog bewegen zodra het aangesloten apparaat wordt verwijderd. Daarom **NOOIT** apparaat verwijderen tenzij de arm in de hoogste positie staat! Het niet opvolgen van deze instructie kan leiden tot ernstig persoonlijk letsel en/of schade aan de apparatuur.

**IT** **AVVERTENZA!** Rischio da Energia Immagazzinata. Il meccanismo del braccio è sotto tensione e si alzerà automaticamente non appena verrà staccata l'attrezzatura collegata. Pertanto, **NON SCOLLEGARE MAI** l'attrezzatura a meno che il braccio non sia nella posizione più alta! La mancata osservanza di questa direttiva potrebbe comportare gravi lesioni personali e/o danni all'attrezzatura.

**TR** **UYARI!** Depolanan Enerji Riski. Kol mekanizması gerilim altındadır ve bağlı ekipman çıkarıldığında otomatik olarak yukarı çıkacaktır. Bu nedenle, kol en yüksek pozisyonuna gelene kadar asla ekipmanı çıkarmayın! Bu talimata uymamak kişisel yaralanmalara ve/veya ekipman hasarına neden olabilir.



**EN CAUTION:** Ensure that the bolt is perfectly centered in the hole. To securely attach the arm and prevent equipment damage, the plate must make contact with the underside of the desk on both sides of the hole.

- ES ¡PRECAUCIÓN:** Asegúrese de que el perno esté perfectamente centrado en el agujero. Para fijar el brazo de forma segura y evitar daños en el equipo, la placa debe hacer contacto con la parte inferior del escritorio en ambos lados del agujero.
- FR ATTENTION:** Assurez-vous que le boulon est parfaitement centré dans le trou. Pour fixer solidement le bras et éviter tout dommage à l'équipement, la plaque doit entrer en contact avec la partie inférieure du bureau des deux côtés du trou.
- DE VORSICHT:** Stellen Sie sicher, dass die Schraube perfekt in der Mitte des Lochs sitzt. Um den Arm sicher zu befestigen und Schäden an der Ausrüstung zu vermeiden, muss die Platte sowohl auf der Oberseite des Schreibtisches als auch auf der Unterseite des Lochs Kontakt haben.
- JA 注意:** ボルトが穴の中心に正確に配置されていることを確認してください。アームを確実に取り付け、機器の損傷を防ぐために、プレートは穴の両側でデスクの裏側と接触しなければなりません。
- ZH \*\*注意:** \*\*确保螺栓完全居中于孔内。为了安全地固定臂并避免设备损坏，板必须与孔两侧的桌子底部接触。
- NL VOORZICHTIG:** Zorg ervoor dat de bout perfect gecentreerd is in het gat. Om de arm veilig te bevestigen en schade aan de apparatuur te voorkomen, moet de plaat contact maken met de onderkant van het bureau aan beide zijden van het gat.
- IT ATTENZIONE:** Assicurarsi che il bullone sia perfettamente centrato nel foro. Per fissare saldamente il braccio e evitare danni all'attrezzatura, la piastra deve entrare in contatto con la parte inferiore della scrivania su entrambi i lati del foro.
- TR DİKKAT:** Civatanın deliğın tam ortasında olduğundan emin olun. Kolun güvenli bir şekilde takılması ve ekipman hasarını önlemek için plakanın deliğın her iki tarafındaki masa altına temas etmesi gerekmektedir.



**EN CAUTION:** AVOID SURPASSING THE DESIGNATED WEIGHT LIMIT AS IT MAY RESULT IN SEVERE INJURIES OR PROPERTY DAMAGE.

- ES CAUTION:** EVITE SUPERAR EL LÍMITE DE PESO DESIGNADO, YA QUE PUEDE RESULTAR EN LESIONES GRAVES O DAÑOS A LA PROPIEDAD.
- FR ATTENTION:** ÉVITEZ DE DÉPASSER LA LIMITE DE POIDS DÉSIGNÉE, CAR CELA PEUT ENTRAÎNER DES BLESSURES GRAVES OU DES DOMMAGES MATÉRIELS.
- DE VORSICHT:** VERMEIDEN SIE DAS ÜBERSCHREITEN DER FESTGELEGTEN GEWICHTSGRENZE, DA DIES ZU SCHWEREN VERLETZUNGEN ODER SACHSCHÄDEN FÜHREN KANN.
- JA 注意:** 指定の重量制限を超えないようにし、重大なけがや財産の損傷を防ぎます。
- ZH \*\*注意:** \*\*请避免超过指定的重量限制，以免导致严重的伤害或财产损失。
- NL LET OP:** VEROORZAAK GEEN OVERSCHRIJDING VAN HET AANGEGEVEN GEWICHTSLIMIET, AANGEZIEN DIT KAN LEIDEN TOT ERNSTIG LETSEL OF SCHADE AAN EIGENDOM.
- IT ATTENZIONE:** EVITARE DI SUPERARE IL LIMITE DI PESO DESIGNATO, IN QUANTO POTREBBE CAUSARE GRAVI LESIONI O DANNEGGI ALLA PROPRIETÀ.
- TR DİKKAT:** BELİRTİLEN AĞIRLIK SINIRINI AŞMAMAYA ÖZEN GÖSTERİN, ÇÜNKÜ BU CİDDİ YARALANMALARA VEYA MÜLK HASARINA NEDEN OLABİLİR.

**Note:** For support and warranty information, when contacting Rocstor customer service, please reference the serial number.

- ES** **Note:** Para obtener información de soporte y garantía, al contactar con el servicio de atención al cliente de Rocstor, por favor, mencione el número de serie.
- FR** **Note:** Pour obtenir des informations sur le support et la garantie, lors de la prise de contact avec le service client de Rocstor, veuillez mentionner le numéro de série.
- DE** **Hinweis:** Für Informationen zum Support und zur Garantie, geben Sie bitte bei der Kontaktaufnahme mit dem Rocstor-Kundenservice die Seriennummer an.
- JA** 注意: サポートおよび保証情報については、Rocstorカスタマーサービスに連絡する際に、シリアル番号をご参照ください。
- ZH** \*\*注意: \*\*如需支持和保修信息, 请在联系Rocstor客户服务时提供序列号。
- NL** Let op: Voor ondersteuning en garantie-informatie, vermeld bij contact met de klantenservice van Rocstor alstublieft het serienummer.
- IT** Nota: Per informazioni sul supporto e sulla garanzia, quando contattate il servizio clienti Rocstor, vi preghiamo di fare riferimento al numero di serie.
- TR** Not: Destek ve garanti bilgileri için Rocstor müşteri hizmetleriyle iletişime geçerken lütfen seri numarasını belirtiniz.



## Five-Year Factory Warranty

Rocstor provides a Limited Factory Warranty which applies to products you have purchased for commercial Household use in the ordinary course of your business.

### Terms of warranty

Rocstor warrants its ErgoReach and ErgoCenter product series to be free from defects in materials and workmanship for a period of five years from the date of purchase. Rocstor's obligation under this warranty coverage is limited to repairing or replacing, at its sole discretion, any such defective products. This warranty does not apply to equipment that has been damaged by accident, negligence, or misapplication or has been altered or modified in any way. In the event Rocstor repairs or provide a replacement of a defective product or part, the warranty does not extend the original warranty period. Rocstor reserves the right to repair or replace any parts under warranty as new or factory re manufactured.

### Non-transferable warranty

This warranty extends only to the original purchaser who must have properly registered the product. The product may be registered at the Rocstor Web site, <https://rocstor.com/customer-support/warranty-registration>.

### Exclusions

If Rocstor tests or examines the alleged defect in the product and finds that the damages or defects do not exist or were caused by a third party or an end user's misuse, improper installation or testing, or negligence, then Rocstor shall not be liable under the warranty. Furthermore, unauthorized attempts to repair or modify the product by wrong or inadequate electrical connection or voltage, inadequate or inappropriate site operation conditions, repair, installation corrosive area or atmosphere, a change in location or operating conditions or use, repair by non-Rocstor designated personnel, exposure to the elements, fire, Acts of God, theft, or equipment installation not recommended or contrary to Rocstor's specifications or recommendations. Warranties will be void and Rocstor will not be liable if the product serial number is tampered with, altered, removed, defaced or any other cause beyond the range of intended use.

## Contact Information

### Corporate Headquarters

12979 Arroyo Ave  
San Fernando, CA 91340 - USA

Office: +1 (818) 727-7000  
Fax: +1 (818) 875-0002  
Email: info@Rocstor.com

### Technical Support / RMA

Hours: 9:00 am - 5:00 pm PST  
Mon - Fri (excluding holidays)

Tell: +1 (818) 727-7000 (Domestic and Internationals)  
Fax: +1 (818) 875-0002  
Email: support@Rocstor.com

### Sales Info

Hours: 8:00 am - 5:00 pm PST  
Mon - Fri (excluding holidays)

Tell: +1 (818) 727-7000 (Domestic and Internationals)  
Fax: +1 (818) 875-0002  
Email: support@Rocstor.com

### Corporate, Government and Academic Customers

Our Corporate Sales Team's goal is to help our U.S.A. and Canadian customers find a storage solution that best serves their needs. We will help you determine your best purchasing options. For more information please contact the appropriate department below or call us at +1 (818) 727-7000.

General sales information:	sales@Rocstor.com
Corporate sales information:	corporate_sales@Rocstor.com
Educational sales information:	academic_sales@Rocstor.com
Federal, State & Local government sales information:	government_sales@Rocstor.com

### Resellers/Business Development/OEM Partners

All Channel National and International Resellers, VARs, Consultants ...

contact Rocstor Channel Sales:	call:	+1 (818) 727-7000
	Email:	reseller_info@Rocstor.com

## Dimensions (mm)

