

## FCC RF Exposure information:

This device meets the government's requirements for exposure to radio waves. This device is designed and manufactured not to exceed the emission limits for exposure to radio frequency (RF) energy set by the Federal Communications Commission of the U.S. Government. The exposure standard employs a unit of measurement known as the Specific Absorption Rate, or SAR. The SAR limit set by the FCC is 1.6 W/kg. Tests for SAR are conducted using standard operating positions accepted by the FCC with the EUT transmitting at the specified power level in different channels. The FCC has granted an Equipment Authorization for this device with all reported SAR levels evaluated as in compliance with the FCC RF exposure guidelines. SAR information on this device is on file with the FCC and can be found under the Display Grant section of [www.fcc.gov/oet/ea/fccid](http://www.fcc.gov/oet/ea/fccid).



**WARNING!** Any changes or modifications not expressly approved by the party responsible for compliance could void the user's authority to operate the equipment.

## Prohibition of Co-location

This device and its antenna(s) must not be co-located or operating in conjunction with any other antenna or transmitter.

## IMPORTANT NOTE:

**Radiation Exposure Statement:** This equipment complies with FCC radiation exposure limits set forth for an uncontrolled environment. End users must follow the specific operating instructions for satisfying RF exposure compliance. To maintain compliance with FCC exposure compliance requirement, please follow operation instruction as documented in this manual.



**WARNING!** This equipment must be installed and operated in accordance with provided instructions and the antenna(s) used for this transmitter must be installed to provide a separation distance of at least 31 cm from all persons and must not be co-located or operating in conjunction with any other antenna or transmitter.

## Compliance Statement of Innovation, Science and Economic Development Canada (ISED)

This device complies with Innovation, Science and Economic Development Canada licence exempt RSS standard(s). Operation is subject to the following two conditions: (1) this device may not cause interference, and (2) this device must accept any interference, including interference that may cause undesired operation of the device.

Operation in the band 5150–5250 MHz is only for indoor use to reduce the potential for harmful interference to co-channel mobile satellite systems.

CAN ICES-003(B)/NMB-003(B)

## Radio Frequency (RF) Exposure Information

The radiated output power of the ASUS Wireless Device is below the Innovation, Science and Economic Development Canada radio frequency exposure limits. The ASUS Wireless Device should be used in such a manner such that the potential for human contact during normal operation is minimized.

「產品之限用物質含有情況」之相關資訊，請參考下表：

單元	限用物質及其化學符號					
	鉛 (Pb)	汞 (Hg)	鎘 (Cd)	六價鉻 (Cr <sup>6+</sup> )	多溴聯苯 (PBB)	多溴二苯醚 (PBDE)
印刷電路板及電子組件	-	○	○	○	○	○
結構組件 (金屬/塑膠)	○	○	○	○	○	○
其他組件 (如：基座/天線)	-	○	○	○	○	○
其他及其配件 (如：連接線)	○	○	○	○	○	○

備者 1. "○" 係指該項限用物質之百分比含量未超出百分比含量基準值。  
備者 2. "-" 係指該項限用物質為排除項目。

This equipment should be installed and operated with a minimum distance of 30 cm between the radiator any part of your body.

This device has been certified for use in Canada. Status of the listing in the Innovation, Science and Economic Development Canada's REL (Radio Equipment List) can be found at the following web address:

[https://www.ic.gc.ca/eic/site/ceb-bhst.nsf/eng/h\\_tt00020.html](https://www.ic.gc.ca/eic/site/ceb-bhst.nsf/eng/h_tt00020.html)  
Additional Canadian information on RF exposure also can be found at the following web:  
<https://www.ic.gc.ca/eic/site/smt-gst-nsf/eng/sf08792.html>

## Déclaration de conformité de Innovation, Sciences et Développement économique Canada (ISED)

Le présent appareil est conforme aux CNR d'Innovation, Sciences et Développement économique Canada applicables aux appareils radio exempts de licence. L'exploitation est autorisée aux deux conditions suivantes : (1) l'appareil ne doit pas produire de brouillage, et (2) l'utilisateur de l'appareil doit accepter tout brouillage radioélectrique subi, même si le brouillage est susceptible d'en compromettre le fonctionnement.

La bande 5150 – 5250 MHz est réservée uniquement pour une utilisation à l'intérieur afin de réduire les risques de brouillage préjudiciable aux systèmes de satellites mobiles utilisant les mêmes canaux.  
CAN ICES-003(B)/NMB-003(B)

## Informations concernant l'exposition aux fréquences radio (RF)

La puissance de sortie émise par cet appareil sans fil est inférieure à la limite d'exposition aux fréquences radio d'Innovation, Sciences et Développement économique du Canada (ISED). Utilisez l'appareil sans fil de façon à minimiser les contacts humains lors d'un fonctionnement normal. Cet équipement doit être installé et utilisé avec un minimum de 30 cm de distance entre la source de rayonnement et votre corps.

L'utilisation de cet appareil est autorisée au Canada. Pour consulter l'entrée correspondant à l'appareil dans la liste d'équipement radio (REL - Radio Equipment List) d'Innovation, Sciences et Développement économique du Canada, rendez-vous sur :

[http://www.ic.gc.ca/eic/site/ceb-bhst.nsf/eng/h\\_tt00020.html](http://www.ic.gc.ca/eic/site/ceb-bhst.nsf/eng/h_tt00020.html)  
Pour des informations supplémentaires concernant l'exposition aux fréquences radio au Canada, rendez-vous sur : <https://www.ic.gc.ca/eic/site/smt-gst-nsf/eng/sf08792.html>

For product available in the US/Canada market, only channel 1–11 can be operated. Selection of other channels is not possible.

Pour les produits disponibles aux États-Unis et au Canada, seuls les canaux 1 à 11 peuvent être utilisés. La sélection d'autres canaux n'est pas possible.

This device is restricted for indoor use only. Cet appareil convient uniquement à un usage intérieur.

## NCC 警告

「取得審驗證明之低功率射頻器材，非經核准，公司、商號或使用者均不得擅自變更頻率，加大功率或變更原設計之特性及功能。低功率射頻器材之使用不得影響飛航安全及干擾合法通信；經發現有干擾現象時，應立即停用，並改善至無干擾時方得繼續使用。前述合法通信，指依電信管理法規規定作業、無線電通信、低功率射頻器材須受合法通信或工業、科學及醫療用電磁輻射性電機設備之干擾。」應避免影響附近雷達系統之操作。

ASUS®

# Quick Setup Guide

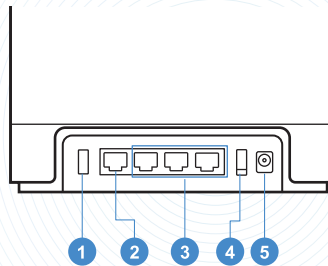
## AX7800 Tri Band WiFi Router

## Router Wi-Fi AX7800 de tres bandas

# ASUS ExpertWiFi EBM68

## Router Overview

## Descripción general del enrutador



- |   |                      |                               |
|---|----------------------|-------------------------------|
| 1 | USB 3.2 Gen 1x1 port | Puerto USB 3.2 Gen 1x1        |
| 2 | 2.5G / 1G WAN port   | Puerto 2.5G / 1G WAN          |
| 3 | LAN 1~3 ports        | Puertos LAN 1~3               |
| 4 | Power switch         | Interruptor de Energía        |
| 5 | Power (DCIN) port    | Puerto de alimentación (DCIN) |

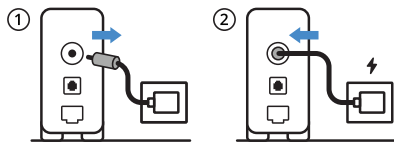
\* For detailed information, please refer to <https://asus.click/ExpertWiFiEBM68>



1

## Reboot modem and ensure its connection is ready Reiniciar el módem y asegurarse de que su conexión está lista

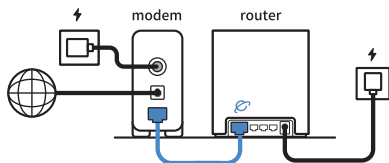
Notice: Unplug modem for 10 sec then plug back in  
Aviso: Desenchufe el módem durante 10 segundos y vuelva a enchufarlo



2

## Prepare your ASUS router and power it on Prepara tu enrutador ASUS y enciéndelo

Once the status light is solid blue then it's ready for setup  
Una vez que la luz de estado es azul fijo, está listo para la instalación



3

## Scan the code and download ASUS ExpertWiFi app for setup Escanea el código y descarga la aplicación ASUS ExpertWiFi para la instalación

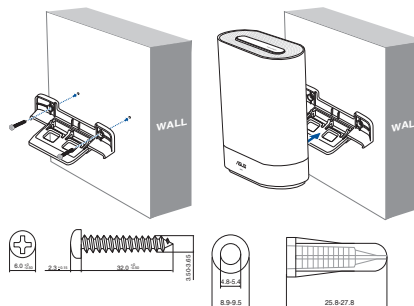
For more information, please scan the code on the cover  
Escanee el código de la portada para obtener más información



[Web] Open a web browser and navigate to <http://expertwifi.net> for web setup.

[Web] Abra un navegador web y navegue a <http://expertwifi.net> para la instalación de la web.

## Support Wall Mount / Se puede instalar en la pared



### IMPORTANT!

Only install the wall mount vertically on the wall.  
DO NOT install the wall mount horizontally or on the ceiling.  
DO NOT mount this equipment higher than 2 meters.

### NOTES:

Wall anchor and screws sizes are for reference only.

It is recommended to use appropriate types of anchor and screws based on the wall you intended to install on.

**IMPORTANTE!** Instale el soporte para pared solo en posición vertical en la pared.  
NO instale el soporte para pared en posición horizontal o en el techo.  
NO coloque este equipo a una altura mayor que los 2 metros.

**NOTAS:** El tamaño de los pernos o tornillos para montaje en la pared se brinda únicamente a modo de referencia.

Se recomienda utilizar los tipos de anclaje y tornillos adecuados para la pared en la que se vaya a instalar.

### ASUS Recycling/Takeback Services

ASUS recycling and takeback programs come from our commitment to the highest standards for protecting our environment. We believe in providing solutions for you to be able to responsibly recycle our products, batteries, other components, as well as the packaging materials. Please go to <http://csr.asus.com/english/Takeback.htm> for the detailed recycling information in different regions.

### REACH

Complying with the REACH (Registration, Evaluation, Authorisation, and Restriction of Chemicals) regulatory framework, we published the chemical substances in our products at ASUS REACH website at <http://csr.asus.com/english/REACH.htm>

### Federal Communications Commission Statement

This device complies with Part 15 of the FCC Rules. Operation is subject to the following two conditions:

- This device may not cause harmful interference.
- This device must accept any interference received, including interference that may cause undesired operation.

FCC regulations restrict the operation of this device to indoor use only.

This device cannot operate as a subordinate between separate buildings or structures.

This equipment has been tested and found to comply with the limits for a class B digital device, pursuant to part 15 of the FCC Rules. These limits are designed to provide reasonable protection against harmful interference in a residential installation.

This equipment generates, uses and can radiate radio frequency energy and, if not installed and used in accordance with the instructions, may cause harmful interference to radio communications. However, there is no guarantee that interference will not occur in a particular installation. If this equipment does cause harmful interference to radio or television reception, which can be determined by turning the equipment off and on, the user is encouraged to try to correct the interference by one or more of the following measures:

- Reorient or relocate the receiving antenna.
- Increase the separation between the equipment and receiver.
- Connect the equipment into an outlet on a circuit different from that to which the receiver is connected.
- Consult the dealer or an experienced radio/TV technician for help.

### FCC RF Caution Statement:

**WARNING:** Any changes or modifications not expressly approved by the party responsible for compliance could void your authority to operate the equipment.