

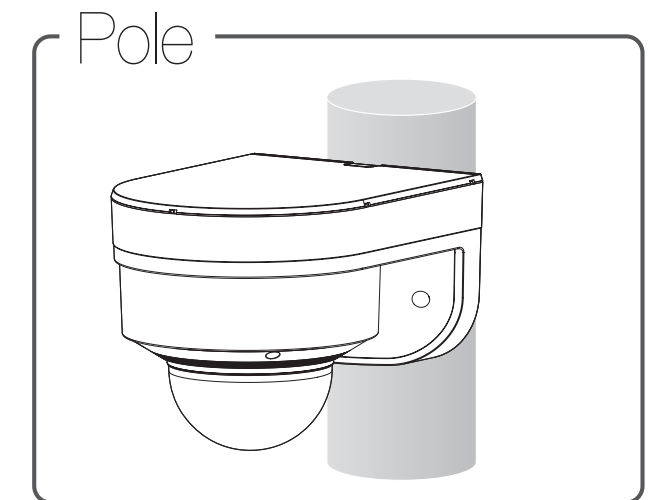
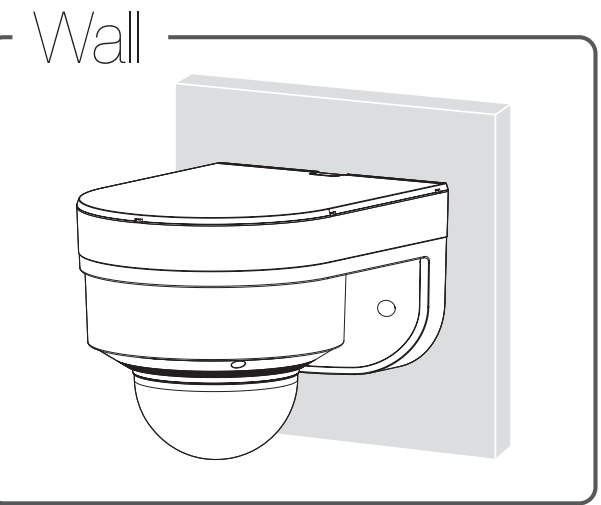
Indoor Wall&Pole Mount

SBP-140WMW
SBP-125WMW1

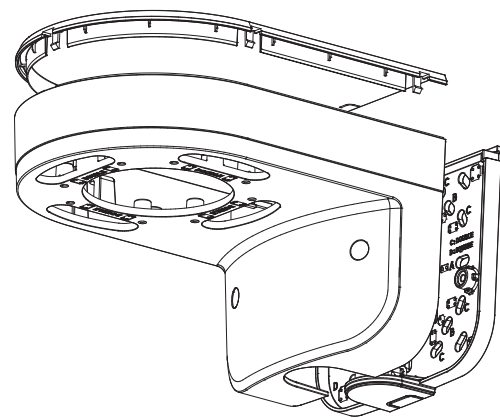


Installation Precautions

- Make sure that the installation place can endure at least 4 times of the total weight of the Wall&Pole Mount and Camera.
- Each anchor screw must be capable of withstanding an extraction force of 700 kg.



Package

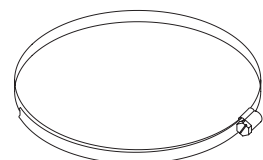


WALL&POLE MOUNT



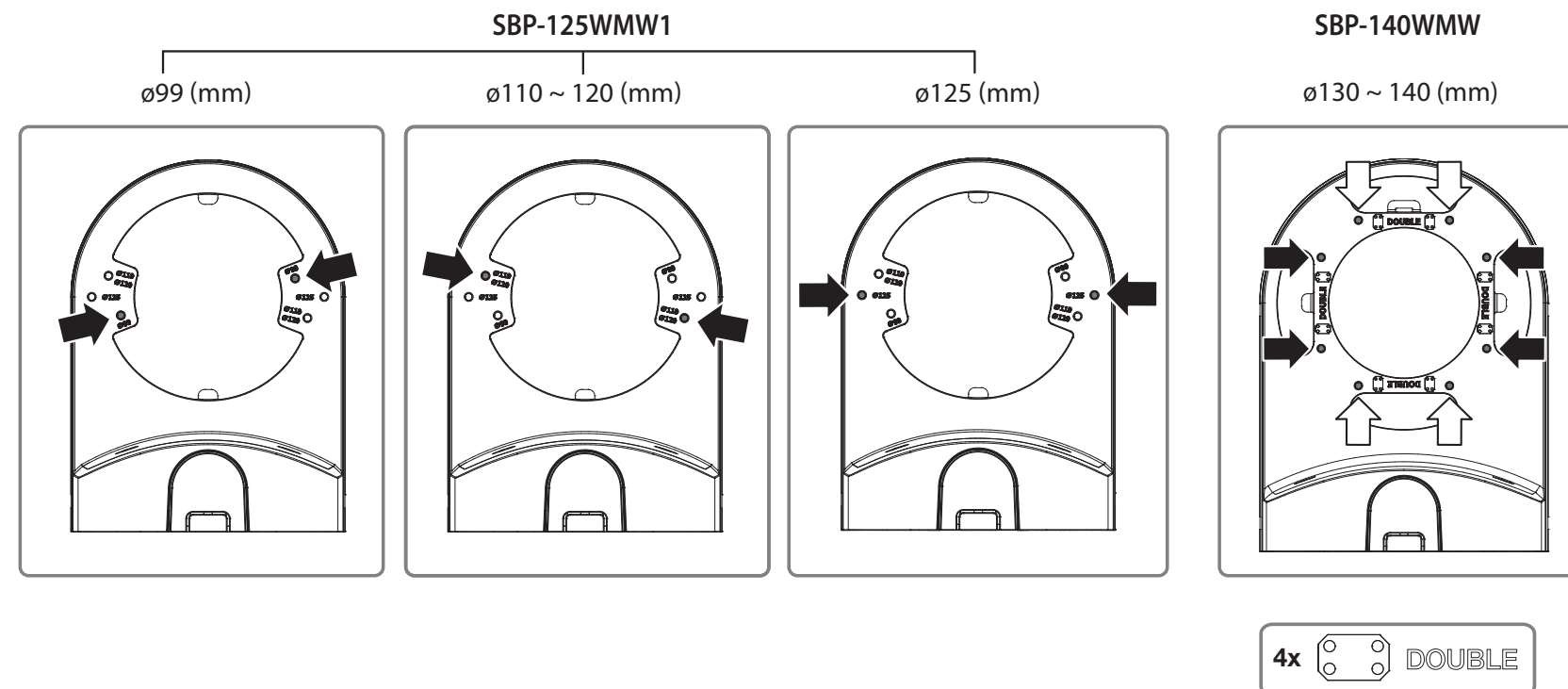
SBP-140WMW (4EA)
SBP-125WMW1 (2EA)

Optional Accessory

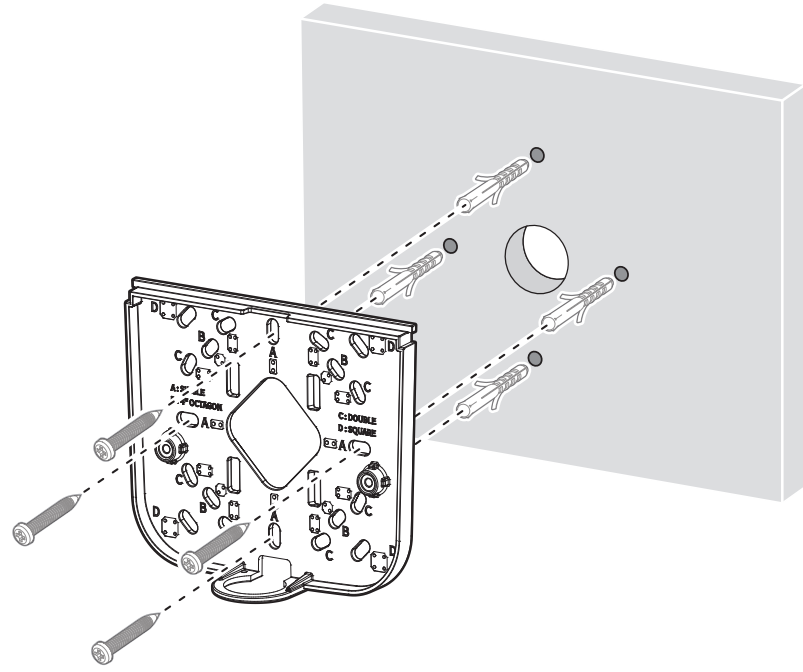


Steel Strap
($\phi 80 \sim \phi 160$)

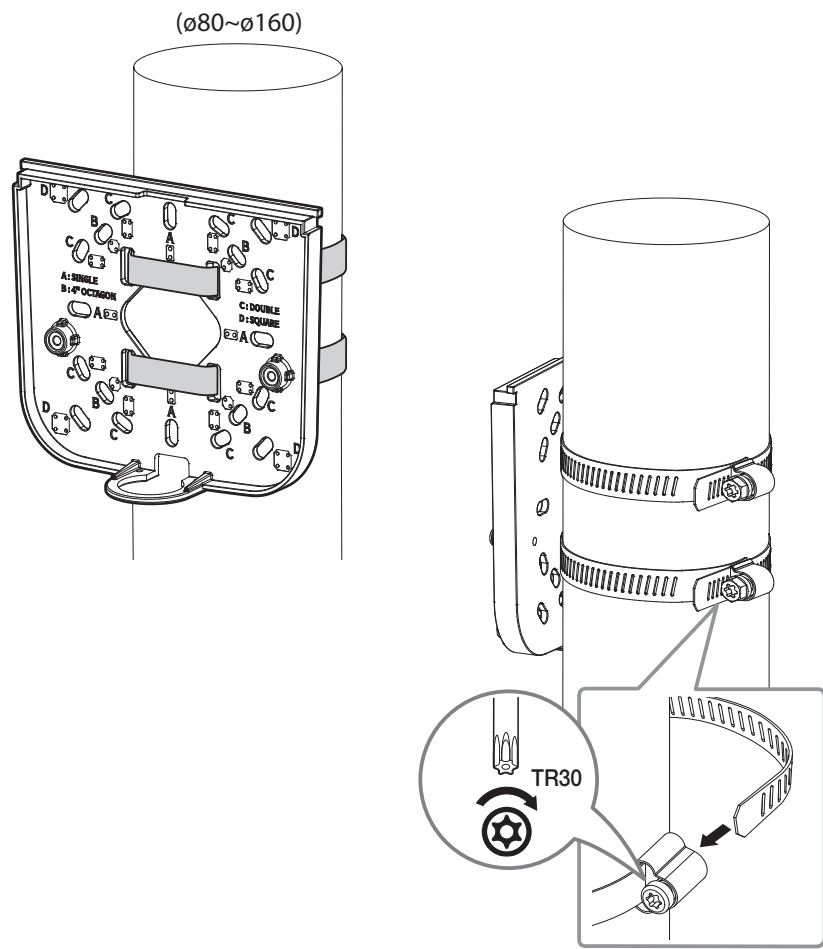
Mounting Hole by Camera Size



1 (Wall)

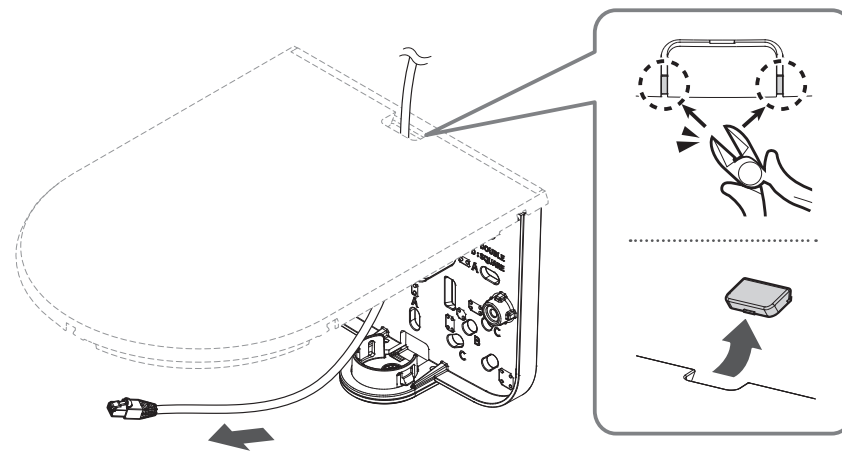


(Pole)

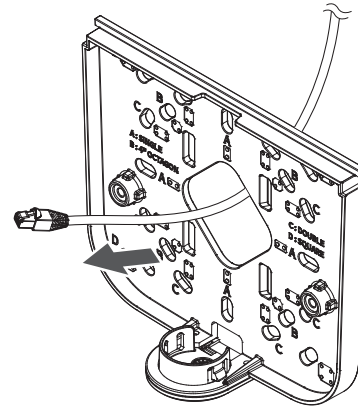


2

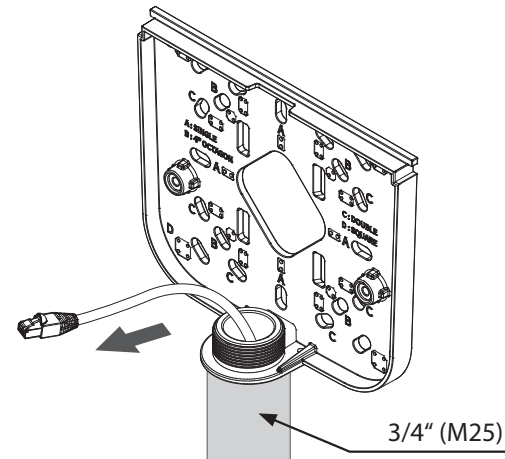
A



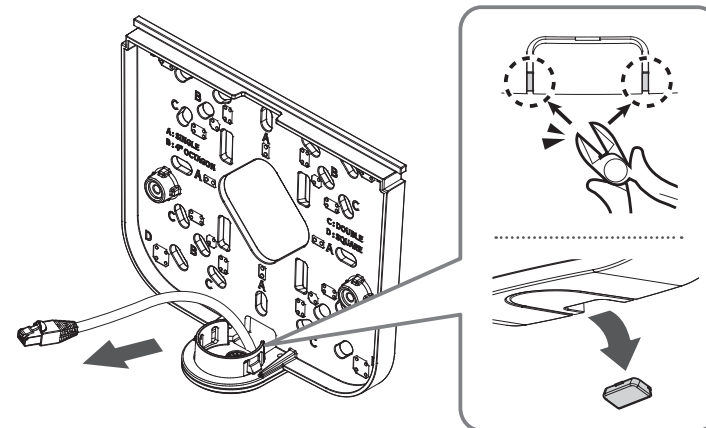
B



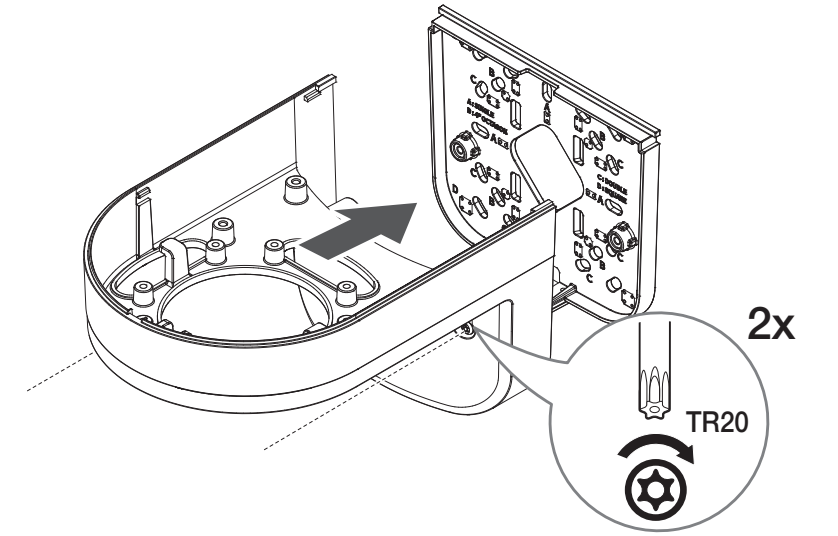
C



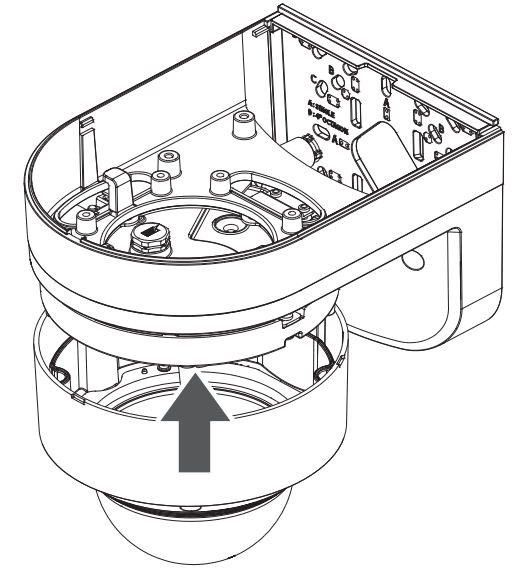
D



3



4



5

