

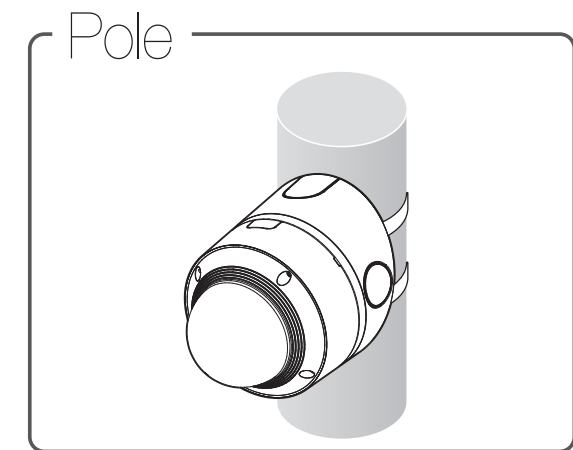
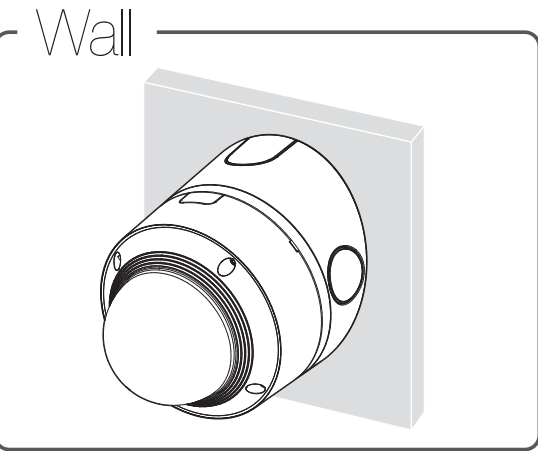
Tilt Mount

SBV-140TMW

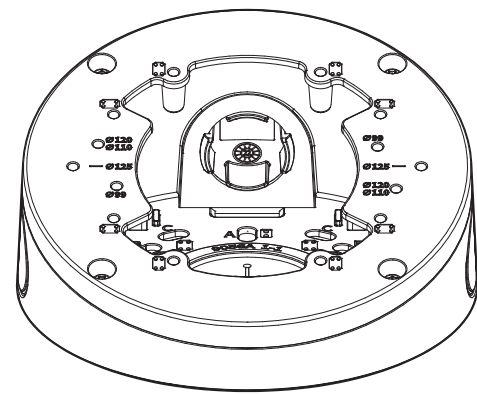


Installation Precautions

- Make sure that the installation place can endure at least 4 times of the total weight of the Tilt Mount and Camera.
- When installing the product outdoors, use interlocking devices made of stainless steel.



Package



TILT MOUNT



SCREW (4EA)

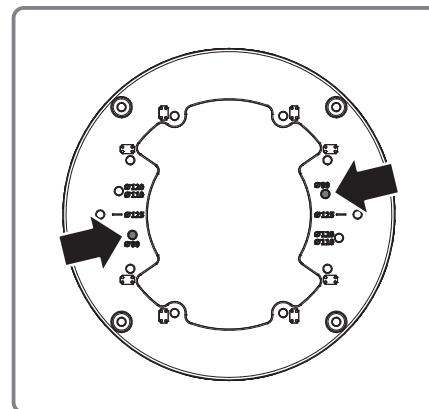


COVER-HOLE

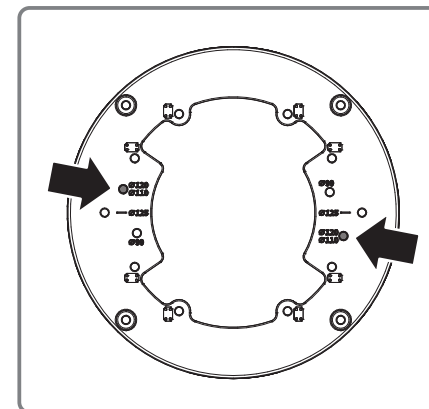
Mounting Hole by Camera Size

SBV-140TMW

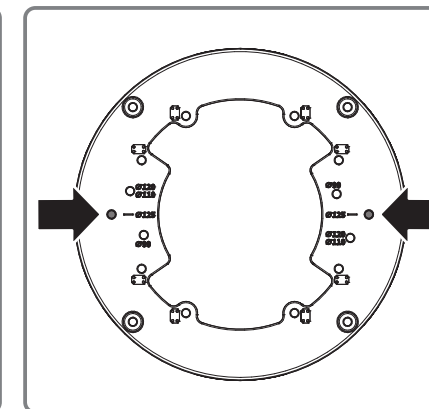
ø99 (mm)



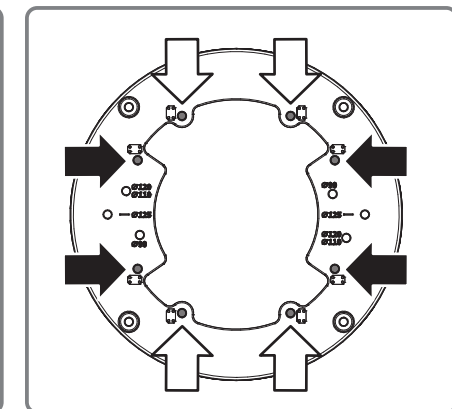
ø110 ~ 120 (mm)



ø125 (mm)

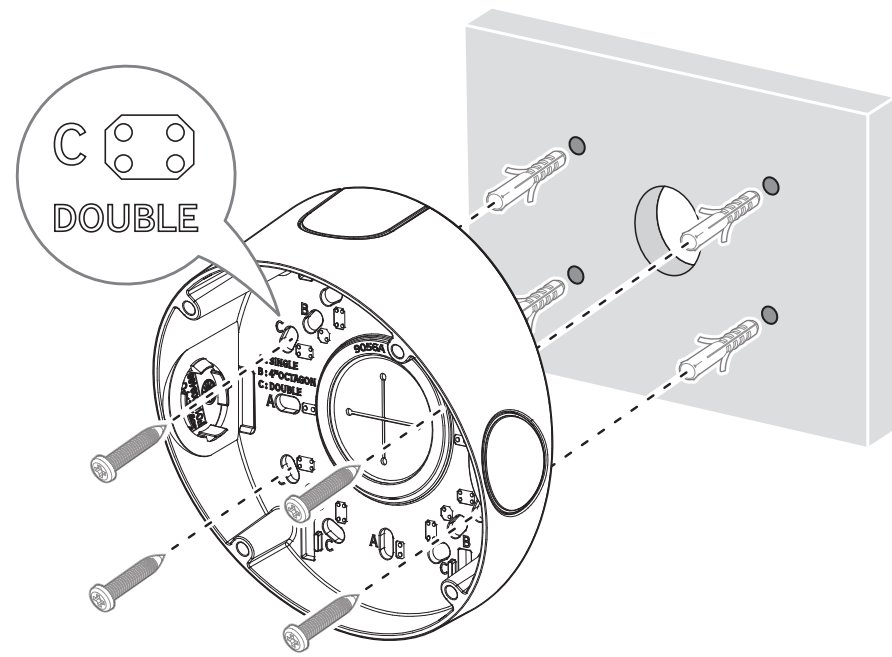


ø130 ~ 140 (mm)



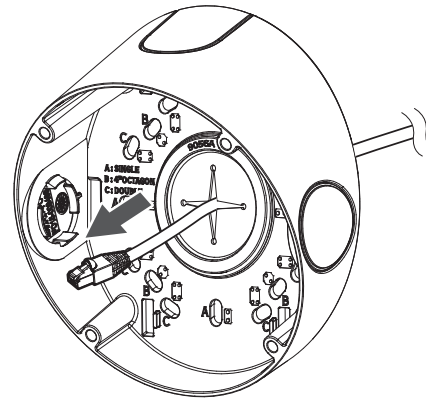
4x DOUBLE

1 (Wall)

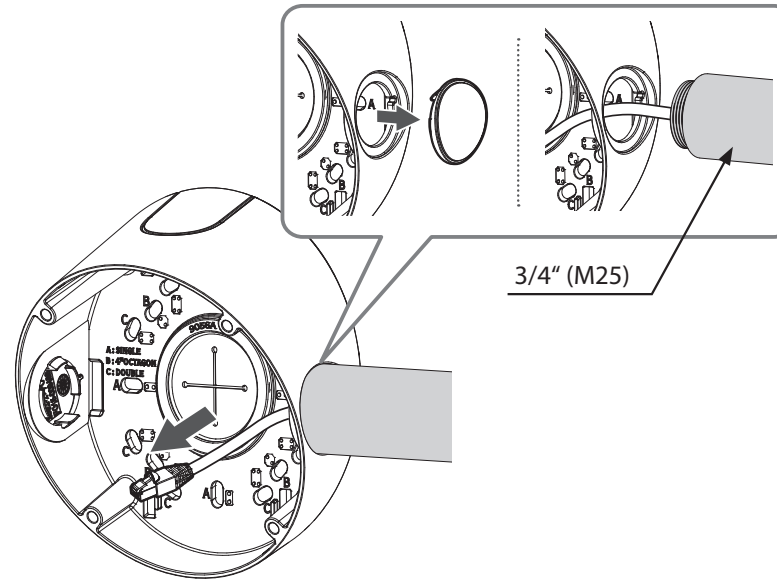


2

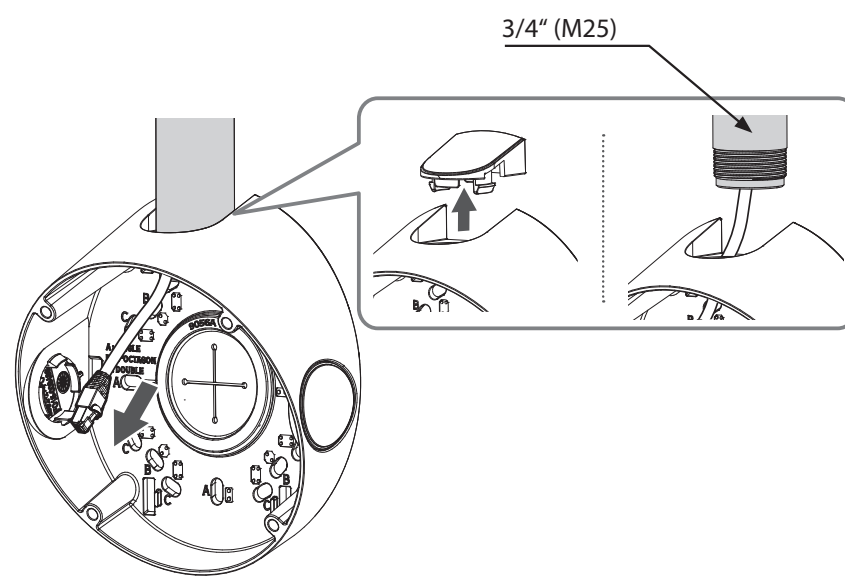
A



B

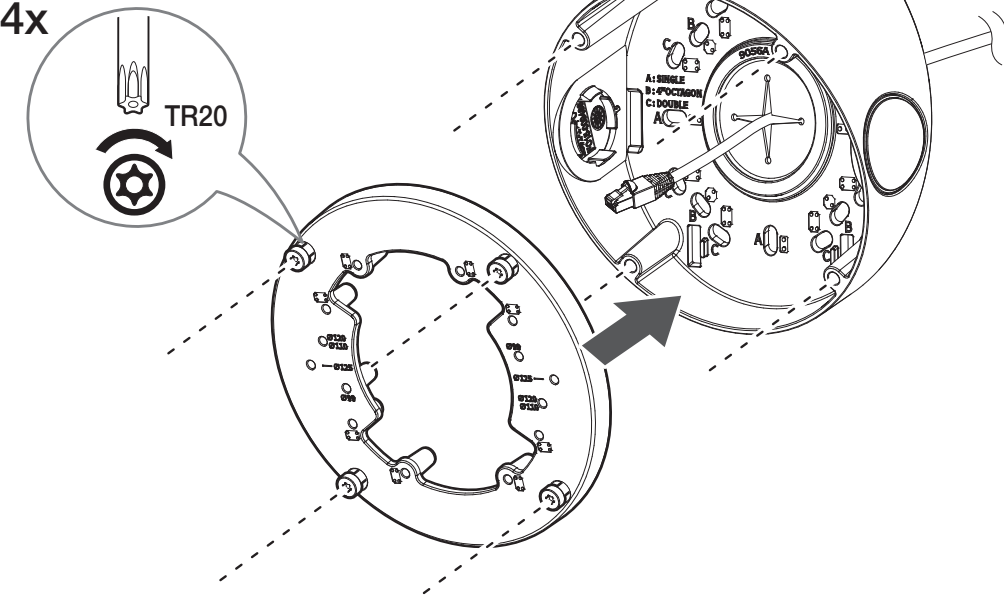


C



3

4x



4

(Pole)

