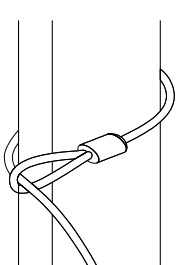
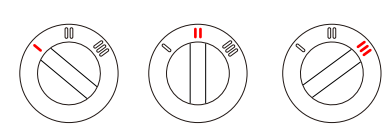
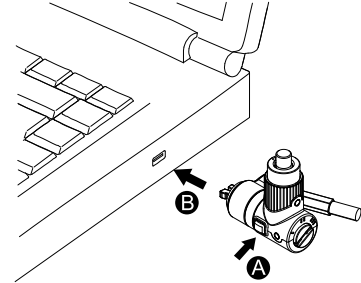


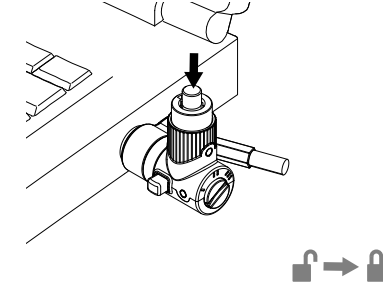
# INSTALLATION INSTRUCTIONS

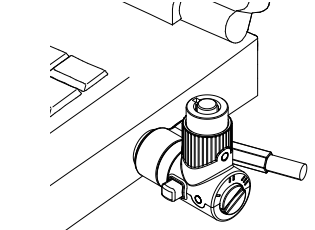
## Lock

①   
Wrap your cable around an immovable object, by crossing the lock body, through the loop, on the opposite end of the cable.

②   
Noble      Nano      Standard  
You must adjust the locking tip **before** inserting the lock into your device.

③   
Press the release button and insert the locking tip into the slot.

④   
Push the button to lock the device.

⑤ 

## Unlock


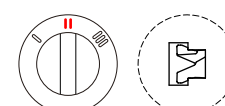
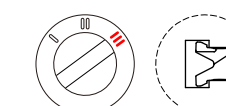
①   
Insert the key, turn the key 90° clockwise to unlock.

②   
Press the release button to release the lock.

③ 

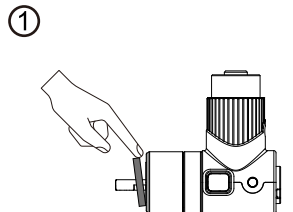
## Locking Tip Adjustment

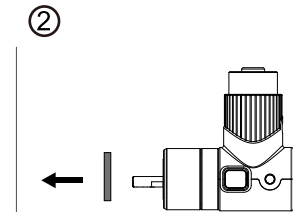
Use a small flathead screwdriver or similar tool to switch the knob. Adjust the locking tip according to the lock slot specification of your device.

Noble Slot	Nano Slot	Standard Slot
		
▲ The Knob can only be switched when the lock is unlocked.		

## Removable Rubber Grommet

For computers that have a tighter security lock fit it is necessary to remove the grommet on the cable lock.

①   
Removable Grommet

② 

③ 