

# PHILIPS

## Sports Headphones

7000 Series

TAA7607



# User manual

Register your product and get support at  
[www.philips.com/support](http://www.philips.com/support)

# Contents

---

1	Important safety instructions	2
	Hearing safety	2
	General information	2

---

2	Your Bluetooth headphones	4
	What's in the box	4
	Other devices	4
	Overview of your Bluetooth wireless headphones	5

---

3	Get started	6
	Charge the battery	6
	Pair the headphones with your mobile phone	6

---

4	Use your headphones	7
	Connect the headphones to a Bluetooth device	7
	Manage your calls and music	7

---

5	Technical data	9
---	----------------	---

---

6	Notice	10
	Declaration of conformity	10
	Disposal of your old product and battery	10
	Remove the integrated battery	10
	Compliance with EMF	10
	Environmental information	11
	Notice of compliance	11

---

7	Trademarks	12
---	------------	----

---

8	Frequently asked questions	13
---	----------------------------	----

# 1 Important safety instructions

## Hearing safety



### Danger

- To avoid hearing damage, limit the time you use headphones at high volume and set the volume to a safe level. The louder the volume, the shorter the safe listening time is.

Be sure to observe the following guidelines when using your headphones.

- Listen at reasonable volumes for reasonable periods of time.
- Be careful not to adjust the volume continuously upwards as your hearing adapts.
- Do not turn up the volume so high that you can't hear what's around you.
- You should use caution or temporarily discontinue use in potentially hazardous situations.
- Excessive sound pressure from earpieces and headphones can cause hearing loss.
- Using headphones with both ears covered while driving is not recommended and may be illegal in some areas.
- For your safety, avoid distractions from music or phone calls while in traffic or other potentially dangerous environments.

## General information

To avoid damage or malfunction:

### Caution

- Do not expose headphones to excessive heat.
- Do not drop your headphones.
- Headphones shall not be exposed to dripping or splashing. (Refer to the IP rating of specific product)
- Do not allow your headphones to be submerged in water.
- Do not charge your headphones when the connector or socket is wet.
- Do not use any cleaning agents containing alcohol, ammonia, benzene, or abrasives.
- Use a clean, damp cloth to clean your headphones - especially the sound conduits and the microphone holes - regularly and avoid buildup of substances such as sweat or earwax.
- If any sweat or water droplets are left in the sound conduits, air holes or microphone holes, the sound level will temporarily drop or cut out entirely. This is not a malfunction. Use a soft, damp cloth to dry the headphones thoroughly. Alternatively, remove the earbud tips, turn the sound conduits downward and gently tap the headphones about five times on a dry cloth or similar to remove any water collected inside.
- Be sure the headphones are completely dry before charging and using. Avoid using disposable alcohol pads or other substances for cleaning.
- The integrated battery shall not be exposed to excessive heat such as sunshine, fire or the like.
- Danger of explosion if battery is incorrectly replaced. Replace only with the same or equivalent type.
- To achieve the specific IP rating, the charging slot cover must be closed.
- Disposal of a battery into fire or a hot oven, or mechanically crushing or cutting a battery, can result in an explosion.
- Leaving a battery in an extremely high temperature surrounding environment can result in an explosion or the leakage of flammable liquid or gas.
- A battery subjected to extremely low air pressure may result in an explosion or the leakage of flammable liquid or gas.
- Replacement of a battery with an incorrect type risks severely damaging the headphones and the battery (for example, in the case of some lithium battery types).
- If the headset is not used for a long time, the rechargeable battery will begin to lose its charge. To avoid this loss, please fully charge the battery at least once every three months.

- To avoid risk of fire, the equipment is supplied only by external power source which output shall comply with PS1 (with output capacity less than 15W).

#### Operating and storage temperatures and humidity

- Store in a place where the temperature is between  $-20^{\circ}\text{C}$  ( $-4^{\circ}\text{F}$ ) and  $50^{\circ}\text{C}$  ( $122^{\circ}\text{F}$ ) with up to 90% relative humidity.
- Operate in a place where the temperature is between  $0^{\circ}\text{C}$  ( $32^{\circ}\text{F}$ ) and  $45^{\circ}\text{C}$  ( $113^{\circ}\text{F}$ ) with up to 90% relative humidity.
- Battery life may be shorter in high or low temperature conditions.

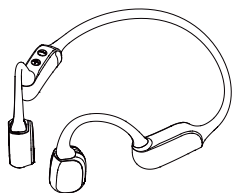
## 2 Your Bluetooth headphones

Congratulations on your purchase, and welcome to Philips! To fully benefit from the support that Philips offers, register your product at [www.philips.com/welcome](http://www.philips.com/welcome). With these Philips headphones, you can:

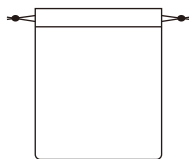
- Enjoy convenient wireless handsfree calls
- Enjoy and control music wirelessly
- Switch between calls and music

---

### What's in the box



Wireless sports headphones Philips TAA7607



Soft pouch



Earplug x 1 pair



Magnetic charging cable (for charging only)



Quick start guide



Global Warranty



Safety leaflet

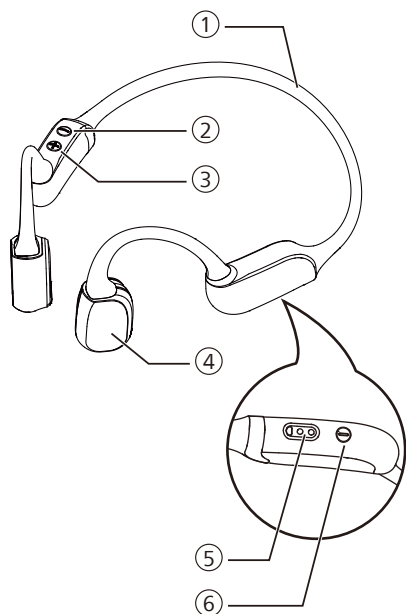
---


### Other devices

A mobile phone or device (e.g. notebook, tablet, Bluetooth adapters, MP3 players etc) which supports Bluetooth and is compatible with the headphones (see 'Technical data' on page 8).

---

## Overview of your Bluetooth wireless headphones



- ① Running light
- ② Volume - / Air mic On
- ③ volume + / Bone mic On
- ④ Multi-function button (MFB)
- ⑤ Magnetic charging slot
- ⑥  Power button

# 3 Get started

## App download

Scan the QR code/press 'Download' button or search 'Philips Headphones' in Apple App Store or Google Play to download the app.



The Philips Headphones App puts you in charge of the music you've listening to. You can customize the sound so your music and calling experience always best suits your needs.

## Charge the battery

### Note

- Before you use your headphones, charge it for two hours for optimum battery capacity and lifetime.
- Use only the original USB charging cable to avoid any damage.
- Finish your call before charging. Connecting the headphones to charge will power them off.

Connect the supplied charging cable to:

- Magnetic charging slot on the headphones and;
  - The charger/USB port of a computer.
- ↳ LED turns white during charging and turns off when the headphones is fully charged.

### Tip

- Normally, a full charge takes 2 hours.

## Pair the headphones with your mobile phone

Before you use the headphones with your mobile phone for the first time, pair it with a mobile phone. A successful pairing establishes a unique encrypted link between the headphones and mobile phone. The headphones store the last 4 devices in the memory. If you try to pair more than 4 devices, the earliest paired device is replaced by the new one.

- 1 Make sure that the headphones are fully charged and turned off.
- 2 Press and hold **⏻** for 4 seconds until the blue and white LED flash quickly.  
↳ The headphones remain in pairing mode for 5 minutes.
- 3 Make sure that the mobile phone is turned on and its Bluetooth feature is activated.
- 4 Pair the headphones with the mobile phone. For detailed information, refer to the user manual of your mobile phone.

The following example shows you how to pair the headphones with your mobile phone.

- 1 Activate the Bluetooth feature of your mobile phone, select **Philips TAA7607**.
- 2 Enter the headphones' password "0000" (four zeros) if prompted. For those devices featuring Bluetooth 3.0 or higher, there is no need to enter a password.



Philips TAA7607

# 4 Use your headphones

## Connect the headphones to your Bluetooth device

- 1 Turn on your mobile phone/Bluetooth device.
- 2 Press and hold the on/off button to turn the headphones on.
  - ↳ The blue LED is on for 1 second
  - ↳ The headphones are reconnected to the last connected mobile phone/Bluetooth device automatically. If the last one is not available, the headphones will be in pairing mode

### Tip

- If you turn on the mobile phone/Bluetooth device or activate the Bluetooth feature after turning on the headphones, you have to reconnect the headphones and mobile phone/Bluetooth device manually.

### Note

- If the headphones fail to connect to any Bluetooth device within range in 5 minutes, it will switch off automatically to save the battery life.

## Multi-point connection

### Pairing

- Pairing the headphones to two devices, e.g. mobile phone and notebook.

### Switch between device

- At anytime, you can only listen to music from one device. Another device will be for phone call.
- Pause the audio from one device and then start play audio from the another device.

### Note

- When streaming audio from Device 1, receiving a call from Device 2 will automatically pause Device 1 playback. And the call will be routed automatically to headphones.
- Ending the call will automatically resume playback from device 1.

## Manage your calls and music

### On/off

Task	Button	Operation
Turn the headphones on	Power button	Press and hold for 2 seconds
Turn the headphones off	Power button	Press and hold for 4 seconds ↳ The blue LED is on for 1 second



## Music control

Task	Button	Operation
Play or pause music	MFB	Press once
Adjust volume	+/-	Press once
Next track	+	Long press
Previous track	-	Long press

## Call control

Task	Button	Operation
Answer/hang up a call	MFB	Press once
Reject a call	MFB	Long press
Switch caller during a call	MFB	Press twice
Switch to bone mic during a call	Volume +	Long press
Switch to air mic during a call	Volume -	Long press



### Tip

- If a loud environment or wind noise make it hard for the other side to hear you during a call, you can turn the bone mic on. This is located in the right headphone. Your voice will be transmitted via the bone mic instead of the air mic.



### Note

- During calls when the Bone Mic is activated, you will only hear sound from the left headphone.

## Running light

Task	Button	Operation
Running light on		Press once
Slow blinking--> Fast blinking --> Constant On --> Constant Off		Press once

## Other headphones indicator status

Headphones status	Indicator
The headphones are connected to a Bluetooth device, while the headphones in standby mode or while you are listening to music	The blue LED flashes once for every 4 seconds
The headphones are ready for pairing	The LED flashes blue quickly
The headphones are on but not connected to a Bluetooth device	The blue LED flashes twice for every 3 seconds. If no connection can be made, the headphones will turn itself off within 5 minutes
Low battery level	The blue LED flashes 3 times for every minute until it is out of power
Battery is fully charged	The blue LED is off

# 5 Technical data

- Music time: 9 hours
- Talk time: 8 hours
- Standby time: 80 hours
- Charging time: 2 hours
- Rechargeable lithium polymer battery (160 mAh)
- Bluetooth version: 5.2
- Compatible Bluetooth profiles:
  - HFP (Hands-Free Profile)
  - A2DP (Advanced Audio Distribution Profile)
  - AVRCP (Audio Video Remote Control Profile)
- Supported audio codecs: SBC
- Frequency range: 2.402-2.480 GHz
- Transmitter power: < 10 dBm
- Operating range: Up to 10 meters (33 feet)
- 2 mics (Air mic + Bone mic)
- Auto power off
- Magnetic charging cable
- Low battery warning: available



## Note

- Specifications are subject to change without notice.

# 7 Notice

## Declaration of conformity

Hereby, MMD Hong Kong Holding Limited declares that the product is in compliance with the essential requirements and other relevant provisions of RED Directive 2014/53/EU and UK Radio Equipment Regulations SI 2017 No 1206. You can find the Declaration of Conformity on [www.philips.com/support](http://www.philips.com/support).

## Disposal of your old product and battery



Your product is designed and manufactured with high quality materials and components which can be recycled and reused.



This symbol on a product means that the product is covered by European Directive 2012/19/EU.

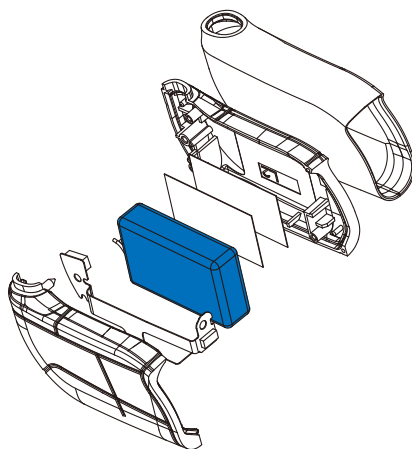


This symbol means that the product contains a built-in rechargeable battery covered by European Directive 2013/56/EU which cannot be disposed of with normal household waste. We strongly advise you to take your product to an official collection point or a Philips service centre to have a professional remove the rechargeable battery. Inform yourself about the local separate collection system for electrical and electronic products and rechargeable batteries. Follow local rules and never dispose of the product and rechargeable batteries with normal household waste. Correct disposal of old products and rechargeable batteries helps prevent negative consequences for the environment and human health.

## Remove the integrated battery

If there is no collection/recycling system for electronic products in your country, you can protect the environment by removing and recycling the battery before disposing of the headphones.

- Make sure the headphones are disconnected before removing the battery.



## Compliance with EMF

This product complies with all applicable standards and regulations regarding exposure to electromagnetic fields.

---

## Environmental information

All unnecessary packaging has been omitted. We have tried to make the packaging easy to separate into three materials: cardboard (box), polystyrene foam (buffer) and polyethylene (bags, protective foam sheet.)

Your system consists of materials which can be recycled and reused if disassembled by a specialized company. Please observe the local regulations regarding the disposal of packaging materials, exhausted batteries and old equipment.

---

## Notice of compliance

The device complies with the FCC rules, Part 15. Operation is subject to the following two conditions:

- 1. This device may not cause harmful interference, and**
- 2. This device must accept any interference received, including interference that may cause undesired operation.**

### FCC rules

This equipment has been tested and found to comply with the limits for a Class B digital device, pursuant to part 15 of the FCC Rules. These limits are designed to provide reasonable protection against harmful interference in a residential installation. This equipment generates, uses and can radiate radio frequency energy and, if not installed and used in accordance with the instruction manual, may cause harmful interference to radio communications.

However, there is no guarantee that interference will not occur in a particular installation. If this equipment does cause harmful interference to radio or television reception, which can be

determined by turning the equipment off and on, the user is encouraged to try to correct the interference by one or more of the following measures:

- Reorient or relocate the receiving antenna
- Increase the separation between equipment and receiver
- Connect the equipment into an outlet on a circuit different from that to which the receiver is connected
- Consult the dealer or an experienced radio/TV technician for help

### FCC Radiation Exposure Statement:

This equipment complies with FCC radiation exposure limits set forth for an uncontrolled environment.

This transmitter must not be co-located or operating in conjunction with any other antenna or transmitter.

**Caution:** The user is cautioned that changes or modifications not expressly approved by the party responsible for compliance could void the user's authority to operated the equipment.

### Canada:

This device contains license-exempt transmitter(s)/receiver(s) that comply with Innovation, Science and Economic Development Canada's license-exempt RSS(s). Operation is subject to the following two conditions: (1) this device may not cause harmful interference, and (2) This device must accept any interference received, including interference that may cause undesired operation of the device.

CAN ICES-003(B)/NMB-003(B)

### IC Radiation Exposure Statement:

This equipment complies with Canada radiation exposure limits set forth for uncontrolled environments.

This transmitter must not be co-located or operated in conjunction with any other antenna or transmitter.

# 7 Trademarks

---

## Bluetooth

The Bluetooth® word mark and logos are registered trademarks owned by Bluetooth SIG, Inc. and any use of such marks by MMD Hong Kong Holding Limited is under license. Other trademarks and trade names are those of their respective owners.

---

## Siri

Siri is a trademark of Apple Inc., registered in the U.S. and other countries.

# 8 Frequently asked questions

## **My Bluetooth headphones do not turn on.**

The battery level is low. Charge the headphones.

## **I cannot pair my Bluetooth headphones with my Bluetooth device.**

The Bluetooth is disabled. Enable the Bluetooth feature on your Bluetooth device and turn on the Bluetooth device before you turn on the headphones.

## **The Bluetooth device cannot find the headphones.**

- The headphones may be connected to a previously paired device. Turn off the connected device or move it out of range.
- Pairing may have been reset or the headphones have been previously paired with another device. Pair the headphones with the Bluetooth device again as described in the user manual. (see 'Pair the headphones with your mobile phone' on page 6).

## **My Bluetooth headphones are connected to a Bluetooth stereo-enabled mobile phone, but music only plays on the mobile phone speaker.**

Refer to the user manual of your mobile phone. Select to listen to music through the headphones.

## **The audio quality is poor and crackling noise can be heard.**

- The Bluetooth device is out of range. Reduce the distance between your headphones and Bluetooth device, or remove obstacles between them.
- Charge your headphones.

## **The audio quality is poor when streaming from a mobile phone, is very slow or streaming does not work at all.**

Make sure your mobile phone not only supports (mono) HFP but also supports A2DP and is BT4.0x (or higher) compatible (see 'Technical data' on page 9).

## **I hear but cannot control music on my Bluetooth device (e.g. play/pause/skip forward/backward).**

Make sure the Bluetooth audio source supports AVRCP (see 'Technical data' on page 9).

## **The volume level of the headphones is too low.**

Some Bluetooth devices cannot link the volume level with the headphones through volume sync. In this case, you have to adjust the volume on your Bluetooth device independently to achieve an appropriate volume level.

## **I cannot connect the headphones to another device, what do I do?**

- Make sure the Bluetooth function of the previous paired device is turned off.
- Repeat the pairing procedure on your second device (see 'Pair the headphones with your mobile phone' on page 6).

**Clean your headphones regularly.**

- Use a clean, damp cloth to clean your headphones - especially the sound conduits and the microphone holes - regularly and avoid buildup of substances such as sweat or earwax.
- If any sweat or water droplets are left in the sound conduits, air holes or microphone holes, the sound level will temporarily drop or cut out entirely. This is not a malfunction. Use a soft, damp cloth to dry the headphones thoroughly. Alternatively, remove the earbud tips, turn the sound conduits downward and gently tap the headphones about five times on a dry cloth or similar to remove any water collected inside.
- Be sure the headphones are completely dry before charging and using. Avoid using disposable alcohol pads or other substances for cleaning.

**Charge your headphones regularly.**

If the headset is not used for a long time, the rechargeable battery will begin to lose its charge. To avoid this loss, please fully charge the battery at least once every three months.

For further support,  
visit [www.philips.com/support](http://www.philips.com/support)



2023©MMD Hong Kong Holding Limited. All rights reserved.  
Specifications are subject to change without notice.  
Philips and the Philips Shield Emblem are registered trademarks of Koninklijke Philips N.V. and are used under license. This product has been manufactured by and is sold under the responsibility of MMD Hong Kong Holding Limited or one of its affiliates, and MMD Hong Kong Holding Limited is the warrantor in relation to this product. All other company and product names may be trademarks of their respective companies with which they are associated.

UM\_TAA7607\_00\_EN\_V3.0  
Model: TAA7607LC

