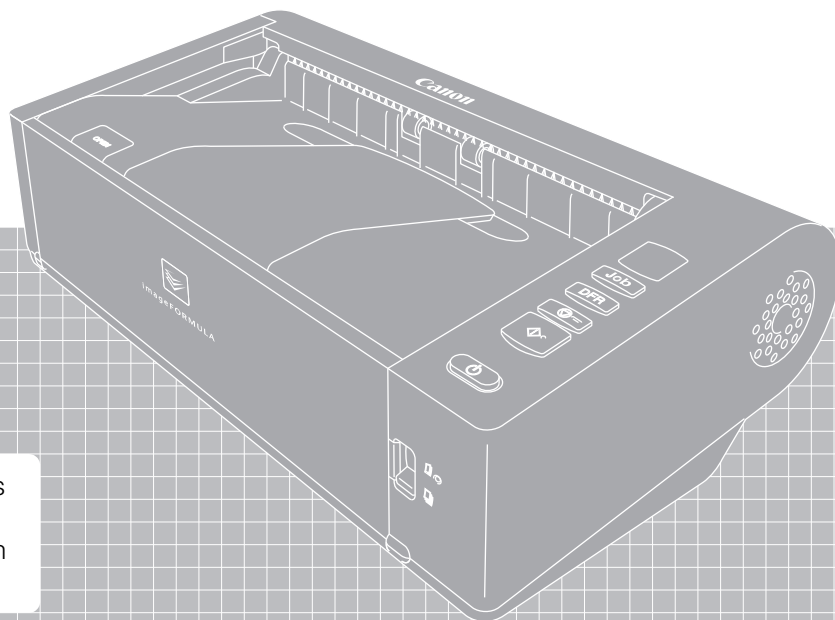


**Canon**

 **imageFORMULA**  
**DR-M140II**

# User Manual



- Please read this manual before operating this scanner.
- After you finish reading this manual, store it in a safe place for future reference.

## FCC REGULATIONS (For 120 V model)

Document Scanner, Model 6130240

AC Adapter, Model 6G3-0267

**Note:** This equipment has been tested and found to comply with the limits for a Class B digital device, pursuant to Part 15 of the FCC Rules. These limits are designed to provide reasonable protection against harmful interference in a residential installation. This equipment generates, uses, and can radiate radio frequency energy and, if not installed and used in accordance with the instructions, may cause harmful interference to radio communications. However, there is no guarantee that interference will not occur in a particular installation. If this equipment does cause harmful interference to radio or television reception, which can be determined by turning the equipment OFF and ON, the user is encouraged to try to correct the interference by one or more of the following measures:

- Reorient or relocate the receiving antenna.
- Increase the separation between the equipment and receiver.
- Connect the equipment into an outlet on a circuit different from that to which the receiver is connected.
- Consult the dealer or an experienced radio/TV technician for help.

Use of shielded cable is required to comply with Class B limits in Subpart B of Part 15 of FCC Rules.

Do not make any changes or modifications to the equipment unless otherwise specified in the manual. If such changes or modifications should be made, you could be required to stop operation of the equipment.

Canon U.S.A. Inc.

ONE CANON PARK, MELVILLE, NY 11747, U.S.A.

Tel. No. (516)328-5000

## RADIO INTERFERENCE REGULATIONS (For 120 V models)

This digital apparatus does not exceed the Class B limits for radio noise emissions from digital apparatus as set out in the interference-causing equipment standard entitled "Digital Apparatus", ICES-003 of the Industry Canada.

## ENERGY STAR® Office Equipment Program



This program is for U.S.A and Canada.

As an ENERGY STAR® Partner, CANON ELECTRONICS INC. has determined that this machine meets the ENERGY STAR® Program guidelines for energy efficiency.

The ENERGY STAR® Office Equipment Program is an international program that promotes energy saving through the use of computers and other office equipment. The program backs the development and dissemination of products with functions that effectively reduce energy consumption. It is an open system in which business proprietors can participate voluntarily. The targeted products are office equipment, such as computers, monitors, printers, fax, machine, copiers, and scanners. The standards and logos are uniform among participating nations.

This model doesn't provide setting options for power management.

## Für EMVG

Dieses Produkt ist zum Gebrauch im Wohnbereich, Geschäfts- und Gewerbebereich sowie in Kleinbetrieben vorgesehen.

## Model Names

The following name may be provided for the safety regulations in each sales region of the Document Scanner.

DR-M140II: Model 6130240

## Trademarks

- Canon and the Canon logo are registered trademarks, of Canon Inc. in the United States and may also be trademarks or registered trademarks in other countries.
- imageFORMULA is a trademark of CANON ELECTRONICS INC.
- Microsoft, Windows, PowerPoint, and SharePoint are registered trademarks or trademarks of Microsoft Corporation in the United States and other countries.
- Microsoft product screen shot(s) reprinted with permission from Microsoft Corporation.
- ENERGY STAR® is a registered trademark of the United States Environmental Protection Agency.
- ISIS is a registered trademark of Open Text in the United States.
- iDRS™ SDK 15 Windows 32 - 64 bit technology by Image Recognition Integrated Systems S.A.  
Copyright 1987 - 2019, I.R.I.S. S.A. All rights reserved.
- QR Code is a registered trademark of DENSO WAVE INCORPORATED in Japan and in other countries.
- Other product and company names herein may be the trademarks of their respective owners. However, the ™ and ® symbols are not used in this document.

## Copyright

Copyright 2022 by CANON ELECTRONICS INC. All rights reserved. No part of this publication may be reproduced or transmitted in any form or by any means, electronic or mechanical, including photocopying and recording, or by any information storage or retrieval system without the prior written permission of CANON ELECTRONICS INC.

## Reproduction Warning

This device is designed to be used in a legal manner, in accordance with all applicable laws, including, but not limited to, counterfeit and copyright laws, as well as laws pertaining to national security.

Any person(s) found to have reproduced any of the following materials (regardless of whether such reproduction was intentional or not) for the purpose of misrepresenting such material as the original may be prosecuted in accordance with the applicable laws and regulations.

- Paper money or bank notes (domestic and foreign)
- Postage stamps, revenue stamps, or other similar stamps
- Stock certificates, bond certificates, promissory notes, cheques, or other valuable certificates
- Passports, licenses, or other certificates or documents issued by government officials or agencies

This is not an exhaustive list.

Canon is not responsible for how this scanner is used by an individual. Please note that certain intellectual property is protected by copyright law, and copyrighted items may not be reproduced without the express permission of the copyright holder except for personal or household use under limited circumstances.

**Disclaimers**

The information in this document is subject to change without notice.

CANON ELECTRONICS INC. MAKES NO WARRANTY OF ANY KIND WITH REGARD TO THIS MATERIAL, EITHER EXPRESS OR IMPLIED, EXCEPT AS PROVIDED HEREIN, INCLUDING WITHOUT LIMITATION, THEREOF, WARRANTIES AS TO MARKETABILITY, MERCHANTABILITY, FITNESS FOR A PARTICULAR PURPOSE OF USE OR NON-INFRINGEMENT. CANON ELECTRONICS INC. SHALL NOT BE LIABLE FOR ANY DIRECT, INCIDENTAL, OR CONSEQUENTIAL DAMAGES OF ANY NATURE, OR LOSSES OR EXPENSES RESULTING FROM THE USE OF THIS MATERIAL.

CANON ELECTRONICS INC. IS NOT LIABLE FOR THE STORAGE AND HANDLING OF DOCUMENTS SCANNED WITH THIS PRODUCT, OR THE STORAGE AND HANDLING OF RESULTING SCANNED IMAGE DATA.

IF YOU INTEND TO DISCARD THE ORIGINALS OF SCANNED DOCUMENTS, YOU THE CUSTOMER ARE RESPONSIBLE FOR INSPECTING THE SCANNED IMAGES AND VERIFYING THAT DATA IS INTACT.

THE MAXIMUM LIABILITY OF CANON ELECTRONICS INC. UNDER THIS WARRANTY IS LIMITED TO THE PURCHASE PRICE OF THE PRODUCT COVERED BY THE WARRANTY.

# Introduction

---

Thank you for purchasing the Canon imageFORMULA DR-M140II Document Scanner.

Please read the following manuals carefully and familiarize yourself with the functions of the scanner before use to ensure you sufficiently understand the functions and make the most of the scanner's capabilities. After reading the manuals, store them in a safe place for future reference.

## Manuals for the Scanner

Documentation for this scanner consists of the following manuals.

- **Product Safety Guide**

Before using the scanner, be sure to read and follow these instructions.

- **Setup Guide**

This describes setup procedures for the scanner. Read this manual when you first use the scanner.

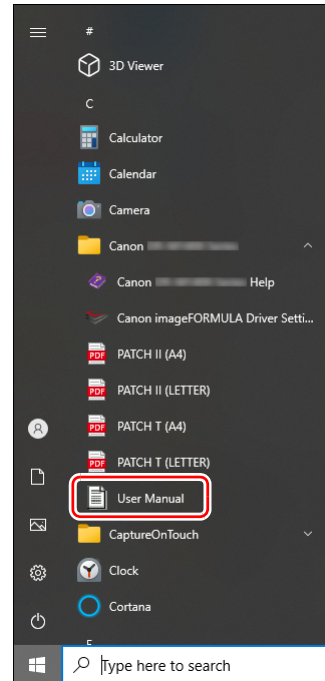
- **User Manual (this manual)**

This manual contains the operating procedures of the scanner. (PDF electronic manual only)



### Hint

The User Manual (electronic manual) will be registered to the following location when the software is installed.



---

## Symbols Used in This Manual

The following symbols are used in this manual to explain procedures, restrictions, handling precautions, and instructions that should be observed for safety.



### **WARNING**

Indicates a warning concerning operations that may lead to death or injury to persons if not performed correctly. To use the scanner safely, always pay attention to these warnings.



### **CAUTION**

Indicates a caution concerning operations that may lead to injury to persons, or damage to property if not performed correctly. To use the scanner safely, always pay attention to these cautions.



### **IMPORTANT**

Indicates operational requirements and restrictions. Be sure to read these items carefully to operate the scanner correctly, and avoid damaging the scanner.



### **Hint**

Indicates a clarification of an operation, or contains additional explanations for a procedure. Reading these notes is highly recommended.

# Table of Contents

---

<b>Introduction .....</b>	<b>5</b>	Cleaning the Scanner.....	48
Symbols Used in This Manual.....	6	Cleaning the Inside of the Scanner.....	48
<b>Before Using the Scanner.....</b>	<b>8</b>	Cleaning the Sensor Glass and the Rollers .....	48
<b>System Requirements of Software.....</b>	<b>8</b>	Replacing Consumable Parts.....	51
<b>Turning the Power ON.....</b>	<b>9</b>	About the Canon imageFORMULA Driver Setting Tool .....	54
Turning Off the Power.....	9	<b>Troubleshooting.....</b>	<b>55</b>
<b>Important Safety Instructions .....</b>	<b>10</b>	<b>Common Problems and Solutions.....</b>	<b>55</b>
Installation Location .....	10	<b>Software Troubleshooting.....</b>	<b>57</b>
AC Adapter.....	10	<b>Useful tips.....</b>	<b>58</b>
Moving the Scanner .....	11	<b>Clearing Paper Jams and Skewed Documents .....</b>	<b>60</b>
Handling.....	11	<b>Uninstalling the Software .....</b>	<b>62</b>
Disposal .....	12	<b>Appendix .....</b>	<b>63</b>
When sending the scanner for repairs .....	12	<b>Specifications .....</b>	<b>63</b>
<b>Features of the Scanner .....</b>	<b>13</b>	Replacement Parts.....	64
<b>Names and Functions of Parts .....</b>	<b>15</b>	Option.....	64
<b>Basic Operation .....</b>	<b>18</b>	About the Flatbed Scanner Unit.....	64
<b>Documents .....</b>	<b>18</b>	Dimensions.....	65
<b>How to Place Documents .....</b>	<b>20</b>	<b>Index.....</b>	<b>66</b>
Switching the Feed and Eject Methods.....	20		
Placing Documents .....	21		
Placing Cards.....	23		
Placing Folded Documents .....	23		
Setting the Long Document Mode.....	24		
Detecting a document double feed .....	26		
Detecting Skewed Documents .....	29		
<b>Scanning methods .....</b>	<b>31</b>		
<b>Scanning with CaptureOnTouch .....</b>	<b>31</b>		
What is CaptureOnTouch?.....	31		
<b>Setting the Scanner Driver.....</b>	<b>32</b>		
Configuration and Functions of the Scanner Driver .....	32		
Setting Basic Scanning Conditions .....	35		
<b>More Advanced Scanning Methods .....</b>	<b>45</b>		
Batch Separation (Insert blank page).....	45		
Using a Patchcode for Scanning.....	45		
<b>Maintenance.....</b>	<b>48</b>		
<b>Daily Maintenance.....</b>	<b>48</b>		

## System Requirements of Software

To use the scanner, your computer must satisfy the following system requirements.

### Computer

CPU:	Intel Core i3 2.13GHz or faster
Memory:	4 GB or more
Hard disk:	10 GB or more available space required for installation of all software
USB interface:	Hi-Speed USB2.0
Monitor:	Resolution of 1024 × 768 (XGA) or better recommended.

### Operating system

- Microsoft Windows 10 (32-bit and 64-bit editions)
- Microsoft Windows 11
- Microsoft Windows Server 2012 R2
- Microsoft Windows Server 2016
- Microsoft Windows Server 2019
- Microsoft Windows Server 2022

This is the environment as of September 2023.

For the latest software support information, go to the Products page on the Canon website.

### Other requirements

- An ISIS-compatible application or a TWAIN-compatible application that is compatible with the above operating systems.
- .NET Framework 4.8

### IMPORTANT

- Use the USB interface provided as standard with your computer. However, normal operation is not guaranteed with all USB interfaces, even if present as standard equipment on the computer. For details, consult your local authorized Canon dealer.
- Scanning speeds are lower if your computer's standard USB interface is USB Full-Speed (equal to USB 1.1.)
- The USB cable you are using should be the one originally included with the scanner.
- If the CPU, memory, interface card, and other specifications do not satisfy the installation requirements, the scanning speed may be greatly reduced and transmission may take a long time.
- Even if the computer satisfies the system requirements, the scanning speed may vary, depending on the specification of the computer and the environment.
- The scanner drivers provided with the scanner do not necessarily operate on all ISIS or TWAIN-compatible applications. For details, contact your application software retailer.
- In Windows 10 tablet mode, the software may disrupt the display.
- The Desktop Experience feature must be enabled for Windows Server 2012 R2.

### Precautions for Use in 64-bit Operating Systems

- The ISIS driver supplied with this product supports scanning with 32bit applications only.

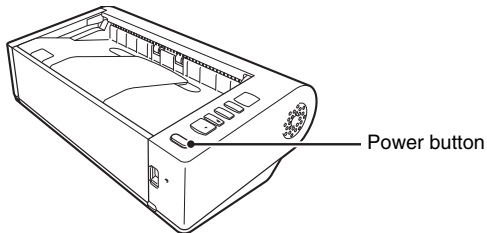


## Turning the Power ON

The power of the scanner can be turned ON and OFF with the power button on the front of the scanner.

**1** Make sure that the scanner and computer are connected properly.

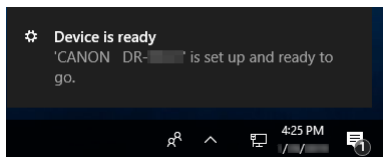
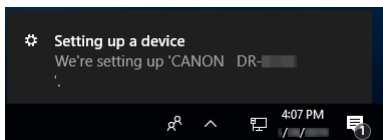
**2** Press the power button.




The power button lights blue when the power turns ON.


### Hint

A balloon message such as shown below appears on the task bar. If you wait a while, automatic scanner recognition will end and the scanner will become ready to use.



When the scanner is properly connected to the computer, the  (CaptureOnTouch) icon appears on the taskbar as follows.



If the taskbar icon appears as , the scanner is not properly connected to the computer. Check the status of the power switch and USB cable.

## Turning Off the Power

Press and hold the power button until the indicator goes out.

### IMPORTANT

- After turning the scanner off, wait at least 10 seconds before turning it back on.
- If you will not be using the scanner for an extended period, you should disconnect the power cord from the AC outlet for safety.

### Hint

The scanner's auto power off setting is enabled by default, and the scanner will turn off automatically if it is not operated for 4 hours. For details on how to disable this setting, see ["About the Canon imageFORMULA Driver Setting Tool"](#) on p. 54.

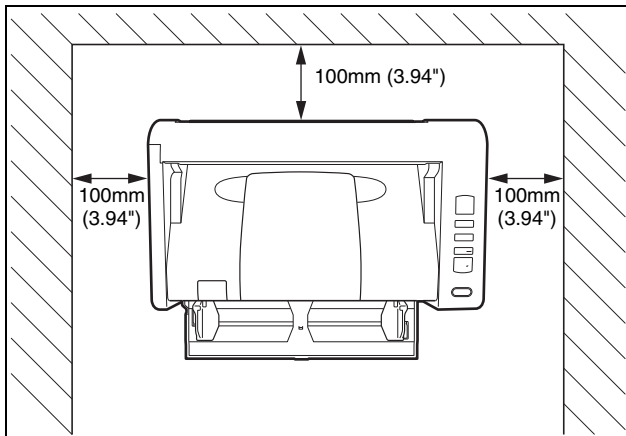
## Important Safety Instructions

To ensure the safe operation of this scanner, be sure to read the safety warnings and precautions described below.

### Installation Location

The performance of this scanner is affected by the environment in which it is installed. Make sure that the location where the scanner is installed meets the following environmental requirements.

- Provide adequate space around the scanner for operation, maintenance, and ventilation.



- When scanning documents using the straight path, provide adequate space in back of the scanner for scanned document output.
- Avoid installing the machine in direct sunlight. If this is unavoidable, use curtains to shade the scanner.
- Avoid locations where a considerable amount of dust accumulates as dust may adversely affect the inside of the scanner.
- Avoid warm or humid locations, such as in the vicinity of a water faucet, water heater, or humidifier. Avoid locations where ammonia gas is emitted. Avoid locations near volatile or flammable materials, such as alcohol or paint thinner.

- Avoid locations that are subject to vibration.
- Avoid exposing the scanner to rapid changes in temperature. If the room in which the scanner is installed is cold but rapidly heated, water droplets (condensation) may form inside the scanner. This may result in a noticeable degradation in scanning quality. The following conditions are recommended for optimal scanning quality:  
Room temperature: 10 °C to 32.5 °C (50 °F to 90.5 °F)  
Humidity: 20% to 80% RH
- Avoid installing the scanner near equipment that generates a magnetic field (e.g. speakers, televisions, or radios.)

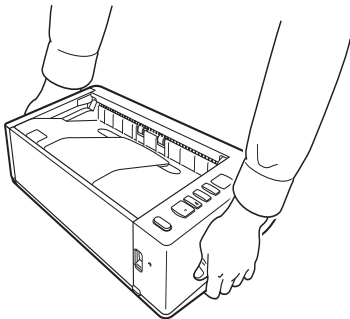
### AC Adapter

- Connect only to a power outlet of the rated voltage and power supply frequency (120 V, 60 Hz or 220-240 V, 50/60 Hz depending on your region).
- Do not connect other electrical equipment to the same power outlet to which the scanner is connected. Also, when using an extension cord, make sure that the extension cord is rated for the current requirements of the scanner.
- Never try to take the AC adapter apart or modify it in any way, as this is dangerous.
- The power cord may become damaged if it is often stepped on or if heavy objects are placed on it.
- Do not use the power cord while it is coiled.
- Do not pull directly on the power cord. When disconnecting the power cord, grasp the plug and remove it from the outlet.
- Keep the area around the power cord clear of objects so that the power cord can be disconnected easily in an emergency.
- Do not use an AC adapter other than the one provided with the scanner. Do not use the AC adapter provided with the scanner with other products.
- If you have any questions regarding the power supply, contact your local authorized Canon dealer or service representative for further information.

---

## Moving the Scanner

- When moving the scanner, always hold it with both hands to avoid dropping it.
- Make sure to disconnect the interface cable and AC adapter before moving the scanner. If the scanner is transported with these items connected, the plugs and connectors may be damaged.



---

## Handling

### WARNING

Note the following precautions whenever using the scanner. Failure to do so may result in a fire or electric shock.

- Never use alcohol, benzene, paint thinner, aerosol sprays, or any other highly flammable substance near the scanner.
- Do not cut, damage, or modify the power cord. Do not place heavy objects on the power cord, and do not pull or excessively bend the power cord.
- Never connect the power cord when your hands are wet.
- Do not connect the scanner to a multi plug power strip.
- Do not knot or coil the power cord as this may result in a fire or electric shock. When connecting the power cord, make sure that the power plug is securely and completely inserted into the power outlet.

- The supplied power cord set is intended for use with this scanner only. Do not use it with other electronic equipment. In addition, do not use power cord sets other than the one supplied with the scanner. Doing so may result in fire or electric shock.
- Do not take the scanner apart or modify it.
- Never try to take the AC adapter apart or modify it in any way, as this is dangerous.
- Do not use flammable spray near the scanner.
- When cleaning the scanner, push the power button to turn it OFF and disconnect the power cord from the power supply.
- Clean the scanner using a slightly dampened cloth which has been well wrung out. Never use alcohol, benzene, paint thinner, or any other flammable substances.
- If the scanner makes strange noises, or gives off smoke, heat, or strange odors, or the scanner does not function or other abnormalities occur when you use the machine, immediately push the power button to turn it off, and disconnect the power plug from the power outlet. Then, contact your local authorized Canon dealer or service representative to have the unit serviced.
- Do not drop the scanner, or subject it to impact or strong shock. Should the scanner ever become damaged, immediately push the power button to turn it OFF, and disconnect the power plug from the power outlet. Then, contact your local authorized Canon dealer or service representative to have the unit serviced.
- Before moving the scanner, be sure to push the power button to turn it OFF, and disconnect the power plug from the power outlet
- **To customers with cardiac pacemakers**  
The scanner generates a weak magnetic field. If customers using cardiac pacemakers experience any abnormalities, move away from the scanner and consult a physician.

### CAUTION

- Do not install the scanner on a surface that is unstable or tilted, or in an area subject to excessive vibrations, as this may cause the scanner to fall, resulting in personal injury or damage to the scanner.

- 
- Never place small metal objects such as staples, paper clips, or jewelry on the scanner. These items may fall into the scanner, and cause a fire or electric shock. Should such objects ever fall inside the scanner, immediately push the power button to turn it OFF, and disconnect the power plug from the power outlet. Then, contact your local authorized Canon dealer or service representative to have the unit serviced.
  - Do not install the scanner in a humid or dusty location. Doing so might cause a fire or electric shock.
  - Do not place objects on top of the scanner. Such objects may tip or fall over, resulting in personal injury.
  - Connect only to a power outlet of the rated voltage and power supply frequency (120 V, 60 Hz or 220-240 V, 50/60 Hz depending on your region). Doing so might cause a fire or electric shock.
  - When unplugging the power cord, grasp it firmly by its plug. Do not pull directly on the power cord, as this may damage or expose the cord's internal wiring, resulting in a fire or electric shock.
  - Leave sufficient space around the power plug so that it can be unplugged easily. If objects are placed around the power plug, you will be unable to unplug it in an emergency.
  - Do not allow water or flammable substances (alcohol, paint thinner, benzene, etc.) to spill into the scanner, as this may result in a fire or electric shock. Doing so might cause a fire or electric shock.
  - Push the power button to turn the scanner OFF for safety when not using the scanner for a long period of time, such as overnight. Also, push the power switch to turn it OFF, and disconnect the power cord from the power outlet for safety when the machine will not be used for an extended period of time, such as during consecutive holidays.
  - Do not block the ventilation holes. Doing so might cause overheating.
  - Do not wear loose clothing or jewelry that may get caught in the scanner while you are using it, as this may result in personal injury. Be extra careful of neckties and long hair. If anything becomes caught in the scanner, immediately disconnect the power cord to stop the scanner.
  - Be careful when loading paper into the scanner and when removing jammed paper, as it is possible to cut your hand on the edge of a sheet of paper.



### **TEMPERATURE WARNING**

- Parts on which this warning is affixed can become very hot, and improper handling of these parts may result in burns. To ensure safe operation, follow the instructions of the warning carefully.

---

## **Disposal**

When disposing of this scanner, be sure to follow all local ordinances and laws or consult with the retailer who sold you the scanner.

---

## **When sending the scanner for repairs**

When a request is made for repairs, the scanner needs to be sent to the specified address. When sending the scanner, use the packing box in which it came. Firmly secure the scanner with packaging material when you place it in the packing box.

---

## Features of the Scanner

---

The main features of the DR-M140II document scanner are described below.

### ● Compact Design

The scanner has a compact size of 313 mm (12.32") (W) x 93 mm (3.66") (H) x 181 mm (7.13") (D) when the document feed tray is closed.

### ● Fast Document Feeding

Documents can be scanned at a speed of up to 40 pages per minute (when scanning one-sided or two-sided documents of A4 size at 200 dpi).

### ● Two Eject Paths for Scanning a Variety of Documents

Use the space saving U-turn path to scan paper of standard thickness, or use the straight path to scan cards and other thick documents.

### ● High Image Quality

The 600 dpi optical resolution sensor incorporated in the scanner enables documents to be scanned with high image quality.

### ● USB 2.0 Interface

The scanner supports Hi-Speed USB 2.0.

### ● Color/Grayscale Support

Documents can be scanned in 24-bit color or 256-level grayscale.

### ● Supports a Variety of Scanning Modes

The scanner supports the following scanning modes, depending on the document type:

- Single-sided or double-sided scanning (with Skip Blank Page function)
- Continuous or single sheet feed

### ● Card Scan

You can scan business or ID cards.

### ● Paper Size Detection

The scanner automatically detects the size of a scanned document and eliminates any unnecessary space around the edges of the image when storing the image, even when storing a document of irregular size.

### ● Auto Color Detection

The scanner detects whether the scanned document is in color, grayscale, or black and white, and saves the image accordingly.

### ● Full Auto Mode

A Full Auto Mode is provided in CaptureOnTouch to allow scanning under automatically determined conditions. Scanning conditions such as the color mode and page size are set automatically based on the document being scanned.

### ● Auto Resolution Detection

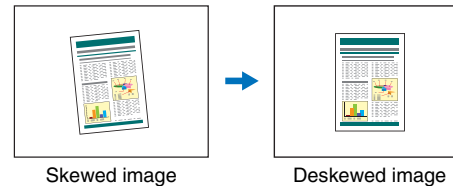
When enabled in the CaptureOnTouch or scanner driver settings, this function detects the content of documents and determines the scanning resolution automatically.

### ● Folio Scan

You can scan folded documents. The scanner will scan both sides and combine the scanned images into a single image.

### ● Deskew

If a scanned image is detected to be skewed, the skewed image is straightened.



### ● Ultrasonic Double Feed Detection

Ultrasonic waves are used to detect pages that are fed at the same time, and scanning stops if a double feed is detected.

### ● Double Feed Detection Ignore

When a double feed is detected, the DFR button on the operation panel is lit. You can continue scanning by pressing the DFR button.

---

- **Text Enhancement Modes**

The scanner is equipped with an Advanced Text Enhancement mode to make it easier to read documents with dark backgrounds or documents with uneven backgrounds, and Advanced Text Enhancement II mode to make it easy to read text on documents that have an even background and on which both text and background are light colors, and Active Threshold mode to allow batch processing of various types of documents, such as those with light text or dirty manuscripts.

These modes may not work, depending on the type of document.

- **Color Drop-out**

The scanner is equipped with a Color Drop-out function that enables you to specify a color for the scanner to omit from the scanned image during black and white or grayscale scanning.

- **Skip Blank Page Function**

The scanner is equipped with a Skip Blank Page function that enables you to scan a document without storing images of blank pages, regardless of whether each page of the document is two-sided or one-sided. Both sides are scanned, but saving the image is skipped for scan images judged to be from a blank page.

- **Prescan Function**

The scanner is equipped with a Prescan function that allows you to adjust the contrast and brightness of a prescanned image and then send the adjusted image to the application software, without needing to scan the document again.

- **Character/Line Emphasis Function**

If characters and lines in scanned images are not clearly visible, you can use this function to adjust their thickness during scanning.

- **Skew Detection Function**

The scanner automatically stops operation when documents are fed at an excessive slant to prevent damage to documents.

- **Start Scanning from the Operating Panel**

You can start scanning by launching CaptureOnTouch with the operating panel buttons. By default, Job No.1 is assigned to Scanning Shortcut, which allows you to easily scan a document by just following the instructions on the screen.

- **Auto Start**

The scanner is equipped with an auto start function, which enables scanning to be automatically started when a document placed in the feeder is detected.

- **Sleep Mode**

The scanner is designed to save energy by automatically entering the sleep mode if 10 minutes elapse without scanning or another operation being performed.

- **Barcode and 2D code reading function**

Barcodes and 2D codes on documents can be read.

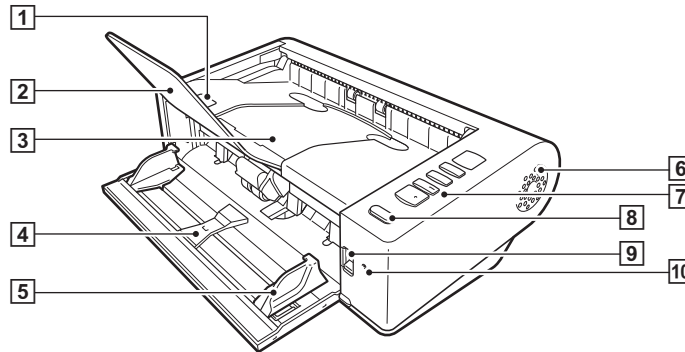


**Hint**

Some functions may not be available depending on the software you are using.

# Names and Functions of Parts

## Front View (With the Feed Tray Open)



**1 OPEN Lever**

Raise this to open the upper unit.

**2 Document Eject Extension Support**

Open this when scanning documents longer than 150 mm in length.

**3 Document Eject Tray / Upper Unit**

Scanned documents are output here.  
Open this when cleaning the inside of the scanner or replacing rollers.

**4 Document Feed Tray**

Place the document.

**5 Document Guides**

Align the document guides with both edges of the document to ensure that the document feeds straightly.

**6 Ventilation Holes**

These cool the interior of the scanner. Do not block the ventilation holes, as doing so might cause overheating.

**7 Operating Panel**

A range of scanning operations can be performed with this, such as starting and stopping scans, executing registered jobs, and cancelling double feed detection. (See p. 16)

**8 Power button**

Press this to turn on the scanner. The button remains lit while the power is on.  
Press and hold the button until the light goes out to turn off the scanner.  
The power button lights or flashes as follows depending on the scanner status.

Power Button Indication	Description
Lit	Power is on
Flashing	Sleep mode

### 9 Feed Selection Lever

Use this to change the way documents are fed.

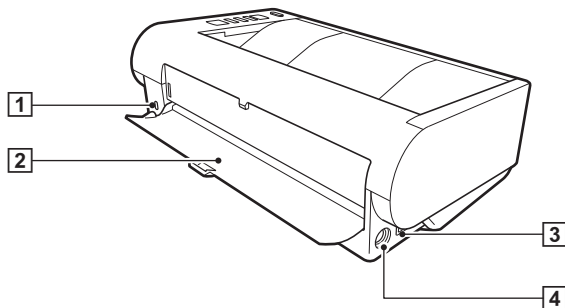
Set the lever to the lower position when scanning documents consecutively.

Set the lever to the upper position when scanning documents one page at a time or scanning multi-page documents that are fastened together. (See p. 20)

### 10 LED Indicator (Orange)

This lights during non separation feeding mode.

## Back View



### 1 Theft Prevention Hole (Security Slot)

Connect an anti-theft key chain or the like.

### 2 Straight Path Tray

When using the straight path, scanned documents are output here.

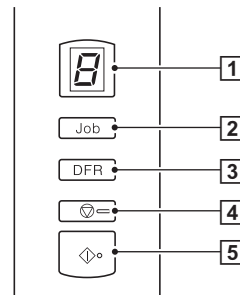
### 3 USB Connector

Connect the supplied USB cable to this connector.

### 4 Power Connector

Connect the supplied AC adapter to this connector.

## Operating Panel



### 1 Job No. Indicator

This displays the number of the job selected with the operating panel, errors, and other information.

### 2 Job Select Button

This selects registered jobs. Every time the button is pressed, the Job No. displayed in the Job No. Indicator changes.

### 3 DFR (Double Feed Release) Button

This is lit when a document double feed is detected. Pressing this button cancels the double feed detection function, allowing you to continue scanning.

### 4 Stop Button

This stops active jobs.

### 5 Start Button


This executes the job displayed in the Job No. Indicator.





---


## Displayed Error Codes


When a scanning error occurs, the following error codes are displayed in the Job No. Indicator.

 : displayed when the upper unit is open.

 : displayed when a paper jam is detected.


 : displayed when a double feed is detected while scanning.


 : displayed when a skewed document is detected.

 : displayed for other errors.

## Other Displays

When the straight path tray is opened or closed, the eject method is displayed in the Job No. Indicator.

 : flashes during straight path mode.

 : animates during U-turn path mode.

## Documents

The scanner can scan documents ranging in size from business cards to LTR/A4. The document sizes that this scanner can scan are shown below.

### Plain Paper

#### Size

Width: 50.8 mm to 216 mm (2" to 8.5")

Length: 54 mm to 356 mm (2.12" to 14") (You can scan documents up to 5,588 mm (220") long by setting the scanner to the Long Document mode.)

#### Paper thickness

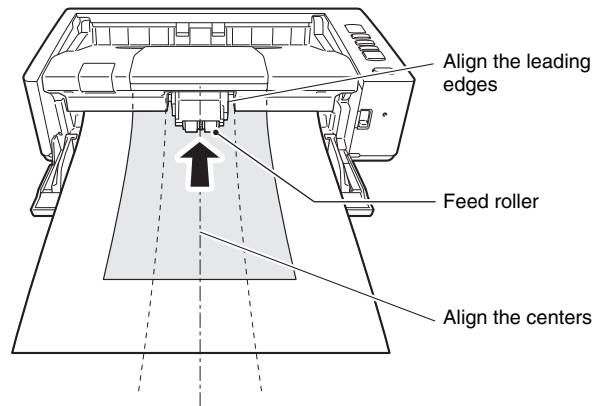
Straight path: 27 to 255 g/m<sup>2</sup> (7 to 68 lb bond) 0.04 mm to 0.3 mm (0.00157" to 0.0118")

U-turn path: 27 to 128 g/m<sup>2</sup> (7 to 34 lb bond) 0.04 mm to 0.15 mm (0.00157" to 0.0075")

### ! IMPORTANT

The documents to be scanned must satisfy certain criteria. Read the following items carefully.

- When scanning multiple documents of different sizes, place the documents so that they cover the entire span of the feed rollers by aligning the centers and leading edges of the documents.



- It is recommended that documents exceeding 356 mm (14") size are fed one sheet at a time.
- Scanning documents before the ink is dry can cause problems with the scanner. Always make sure that the ink on a document is dry before scanning it.
- Scanning documents that are written in pencil or similar material may make the rollers and scanning glass dirty, which can lead to smudges on the scanned image and transfer the dirt to subsequent documents. Always clean the internal parts of the scanner after scanning such documents.
- When scanning a two-sided document that is printed on thin paper, the image on the opposite side of each page may show through. In this case, adjust the scanning intensity in the application software before scanning the document.

- Laminated documents may not be scanned correctly, depending on the document.
- It is recommended that thin documents be fed one page at a time.
- Scanning the following types of documents can cause a paper jam or malfunction. To scan such a document, make a photocopy of the document and then scan the photocopy.



There are creases or fold lines.



Carbon paper



There are curls.



The surface is coated.



There are tears.



Extremely thin document such as semi-transparent thin paper.



There are clips or staples.



Documents with excessive paper dust particles.

### Business Card

Size: 50 mm x 85 mm (1.97" x 3.35") or larger  
 Paper thickness: 380 g/m<sup>2</sup> (80 lb bond) 0.45 mm (0.0177") or smaller  
 Orientation: Vertical feeding only  
 Eject method: Straight path only

### ! IMPORTANT

If a stack of business cards cannot be fed properly, reduce the number of cards in the stack.

### Card (plastic)

Size: 54 mm x 86 mm (2.12" x 3.37") (ISO standard)  
 Card thickness: 0.76 mm (0.03") or less, 1.4 mm (0.055") or less for the embossment  
 Orientation: Vertical feeding only  
 Eject method: Straight path only  
 Loading capacity: 3 cards (non-embossed), 1 card (embossed)

### ! CAUTION

- Use the straight path when scanning cards.
- Embossed cards may not be able to be scanned correctly, depending on the type of embossment.

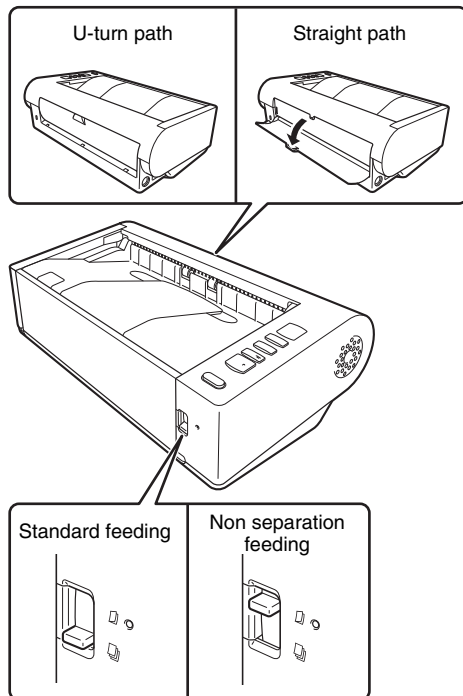
- When scanning cards, clear the [Detect by Ultrasonic] check box in the [Error Detection] tab on the scanner driver settings screen. (See p. 26)

# How to Place Documents

## Switching the Feed and Eject Methods

Switch the feed and eject methods based on the type of document you are scanning.

The U-turn path is used when the straight path tray at the rear of the scanner is closed, and the straight path is used when it is opened.



Standard feeding is used when the feed selection lever at the front of the scanner is lowered, and non separation feeding is used when it is raised.

Standard feeding is used to feed documents one page at a time. Non separation feeding is used to feed bound or fastened multi-page documents or folded documents without separating them.

### Feed and Eject Methods for Different Document Types

Document type	Feed method	Eject method	Remarks
Plain paper	Either	Either	
Business cards	Either	Straight path	Place cards vertically.
Plastic cards	Either	Straight path	Place cards vertically. Embossed cards can be placed one at a time, and up to three non-embossed cards can be placed at one time.
Thick paper	Either	Straight path	
Thin paper	Either	Either	
Bound or fastened paper (e.g., invoices)	Non separation feeding	Either	
Long documents	Non separation feeding	Either	
Half-folded paper	Non separation feeding	Either	

#### Hint

When scanning documents that contain both plain paper and plastic cards, place the cards at the top and use the straight path.

---

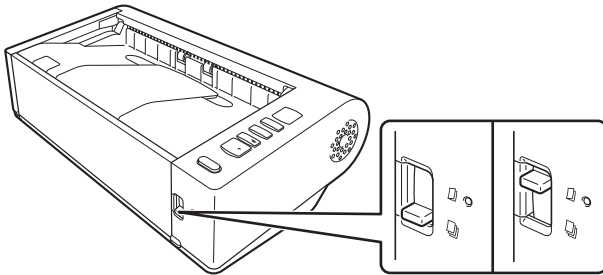
## Placing Documents

---

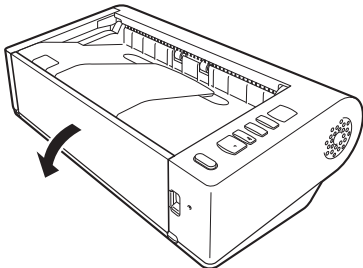
### 1 Switch the feed method based on the type of document you are scanning.

When scanning plain paper or business cards, set the feed selection lever to the standard feeding position (lower position). The pages of a multi-page document will be separated and fed one page at a time.

When scanning plastic cards or bound or fastened paper (e.g., invoices), set the feed selection lever to the non separation feeding position (upper position). As documents are scanned without page separation, place the documents one page at a time (one set in the case of bound or fastened paper). For details on the feed methods for each document type, see [p. 20](#).



### 2 Open the document feed tray.

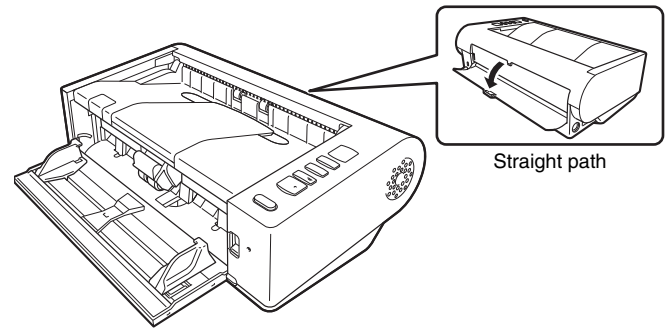


### 3 Switch the eject method based on the type of document you are scanning.

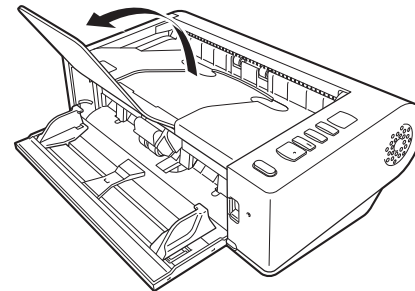
Ordinarily, you should scan with the straight path tray at the rear of the scanner closed (U-turn path).

When scanning business cards, plastic cards, or other documents you do not want to bend, open the straight path tray (straight path).

For details on the eject methods for each document type, see [p. 20](#).

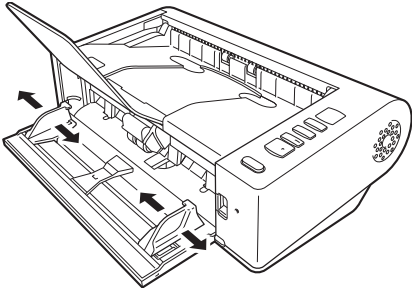


### 4 If you are scanning long documents with the U-turn path, open the document eject extension support.



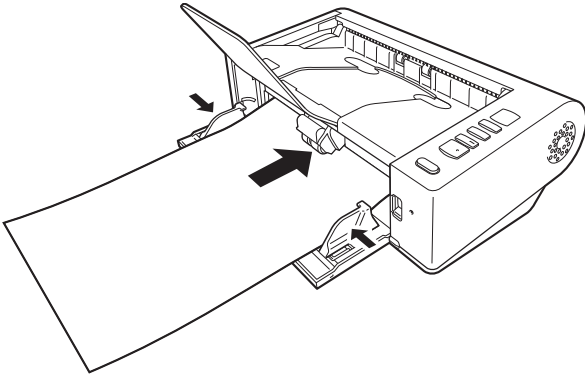
---

## 5 Adjust the document guides to fit the width of the document to be scanned.



---

## 6 Place the document.

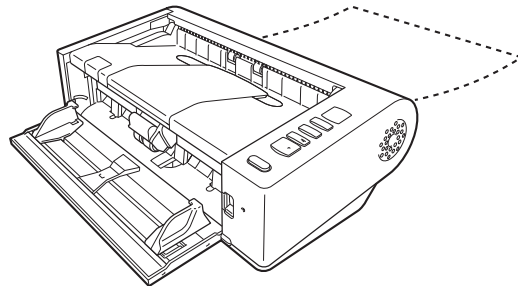


After placing the document, align the document guides with both edges of the document.

### **!** IMPORTANT

- When placing documents into the feed tray, take care not to cut your hand on the edges of the paper.
- Make sure that the document does not exceed the loading limit marks (▼) on the document guides. Up to 80 pages of ordinary plain paper (80 g/m<sup>2</sup>) can be loaded at the same time.

- Before you place a document, check to make sure it does not contain paper clips, staples, or other small metal objects. These items may cause a fire or electrical shock, damage the document, or cause a paper jam or scanner malfunction.
- Do not wear loose clothing or jewelry that may get caught in the scanner while you are using it, as this may result in personal injury. Be extra careful of neckties and long hair. If anything gets caught in the scanner, immediately turn OFF the power switch, and disconnect the power cord from the power outlet to stop scanning.
- Always smooth out any folds or curls in your documents before placing them into the feeder. If the leading edge of a document is curled, it may cause a paper jam.
- If feeding stops due to a system error or paper jam while the scanner is scanning, resolve the problem, make sure that the scanned image of the last page that was successfully fed has been stored, and then resume scanning the remaining document pages.
- After you finish scanning, close the document feed tray, document eject extension support, and straight path tray to prevent damage to the scanner while it is not being used.
- When scanning multi-page documents that are fastened together (e.g., invoices), place the document so that the fastened edge is toward the feed tray.
- Be careful when scanning paper that is longer than A4 or letter (LTR) size or thin paper, as the documents may fall off of the eject tray after scanning.
- When using the straight path, documents will be ejected from the rear of the scanner. Do not place any obstructions near the document eject outlet. To ensure that the documents are ejected smoothly, make sure that the scanner is placed on a smooth, flat surface.



---

## Placing Cards

**1** Set the feed selection lever to the standard feeding position (lower position).

**2** Open the document feed tray.

**3** Open the straight path tray.

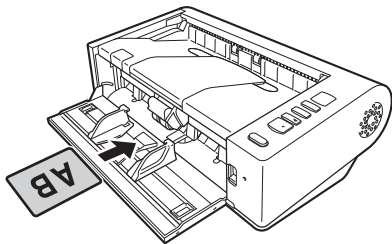
**⚠ CAUTION**

Open the straight path tray when scanning cards. Scanning with the U-turn path may damage the card.

**4** Adjust the document guides to fit the width of the card to be scanned.

**5** Place the card.

Up to three non-embossed cards can be placed vertically at one time. Embossed cards can be placed vertically one at a time.



**⚠ CAUTION**

- Use the straight path when scanning cards.
- Embossed or laminated cards may not be scanned correctly, depending on the card.
- Ultrasonic double feed detection will not function properly when scanning cards. When scanning cards, clear the [Detect by Ultrasonic] check box in the [Error Detection] tab on the scanner driver settings screen. (See p. 26)

---

## Placing Folded Documents

Folio Scan enables you to scan documents that are larger than LTR/A4 and therefore do not fit in the feeder. To use the function, fold the document in half lengthwise and place it into the feeder. The DR-M140II will scan both sides and combine the scanned images into a single image.

**1** Set the feed selection lever to the non separation feeding position (upper position).

**2** Open the document feed tray.

**3** Fold the document in half.

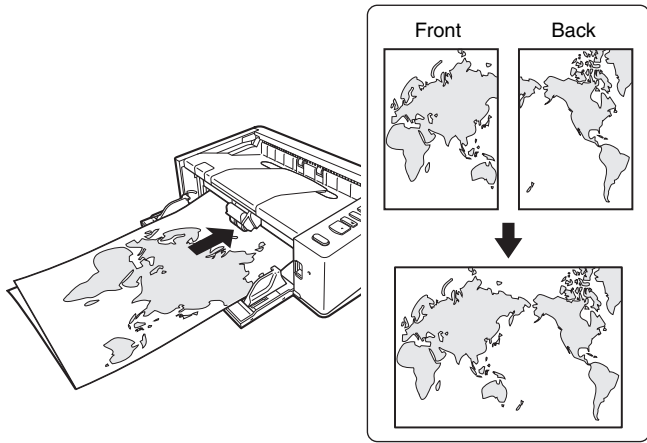
Crease the document firmly down its center to fold the document in half. Fold the document so that its edges are neatly aligned. If the document is not folded properly, paper jams may occur or distortions may appear in the combined scanned image.

**! IMPORTANT**

A portion of the scanned image will be missing at the fold line.

#### 4 Place the document with the folded edge facing right and the top edge facing downward.

After placing the document, align the document guides with both edges of the document.



#### ! IMPORTANT

Adjust the document guides to fit the width of the document. Otherwise, the image may scan as skewed or shifted.

#### 💡 Hint

- The front side of the folded document will appear on the left side of the combined image.
- The maximum size for the combined image is A2. Use this method to scan A2-sized documents. When scanning a folded document of a size other than the standard formats, set [Page Size] on the scanner driver settings screen to [Match original size]. (See p. 35)

## Setting the Long Document Mode

The length of documents that can be scanned with the scanner is normally 356 mm (14"), but you can scan documents up to 5,588 mm (220") long by setting the scanner to the Long Document mode.

#### ! IMPORTANT

By selecting the Long Document mode and setting the [Page Size] in the scanner driver settings screen to auto-detection, documents of up to 5,588 mm (220") in length can be scanned. Note the following when using the Long Document mode:

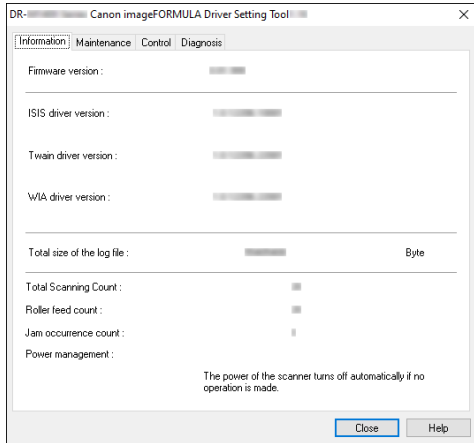
- When scanning in the Long Document mode, if the document is placed on the scanner in a skewed position, it may hit the edges of the feeding area and be damaged. Be careful to place the document so that it is not skewed.
- When scanning with the Long Document mode, paper jam detection may react slowly, resulting in damage to the document. Be careful to avoid paper jams.
- When scanning long documents, make sure to set the feed selection lever to "non separation feeding mode," and scan the documents one page at a time.
- When scanning large-sized documents with the Long Document mode, scanning may be slower. Errors also occur due to memory shortage, and scanning may be disabled.
- Be careful when scanning paper that is longer than A4 or letter (LTR) size or thin paper, as the documents may fall off of the eject tray after scanning.
- The maximum length of documents that can be scanned in the Long Document Mode varies depending on the scanning resolution.
  - 300dpi: 5,445 mm (214")
  - 400dpi: 4,072 mm (160")
  - 600dpi: 2,700 mm (106")
  - 1200dpi: 1,350 mm (53")

#### ! IMPORTANT

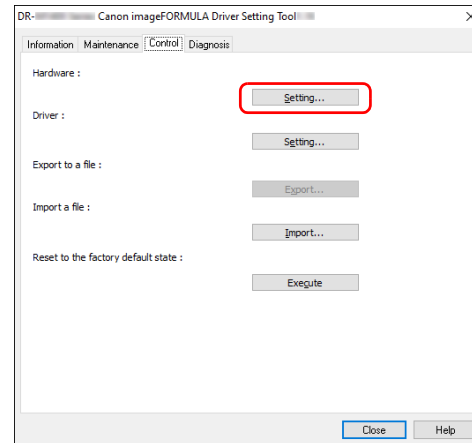
Log on to Windows as an Administrator.



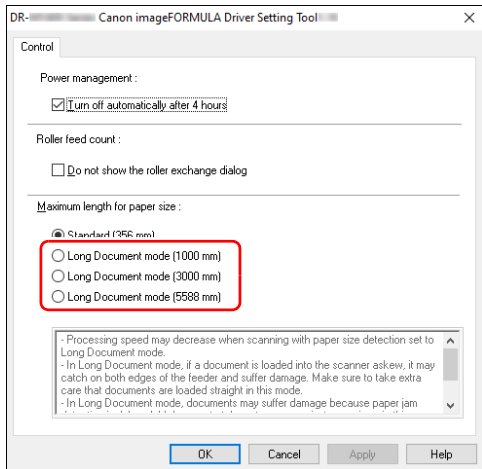
- 1 Click the **Start** button, and then click **[Canon DR-M140II Series]**, and **[Canon imageFORMULA Driver Setting Tool]**. imageFORMULA Driver Setting Tool starts.



- 2 Click the **[Control]** tab.
- 3 Click the **[Setting]** button of **[Hardware]**.



- 4** Depending on the length of the document, select [Long Document mode (1000 mm)], [Long Document mode (3000 mm)], or [Long Document mode (5588 mm)].



- 5** Click [OK].
- 6** Click [Close] to close the imageFORMULA Driver Setting Tool.

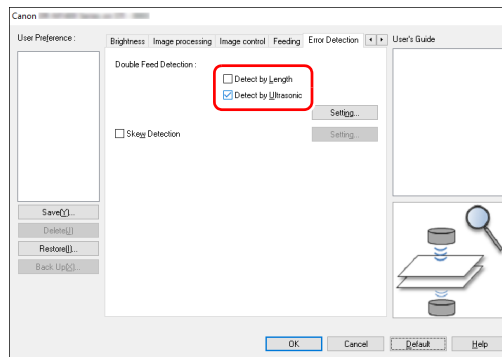
## Detecting a document double feed

This scanner includes a function to detect document double feeds. By using this function, the scanner will automatically stop when it detects that multiple documents have been fed at the same time. You can also specify whether to save the scanned image after scanning has finished and continue scanning the document (double feed detection ignore function).

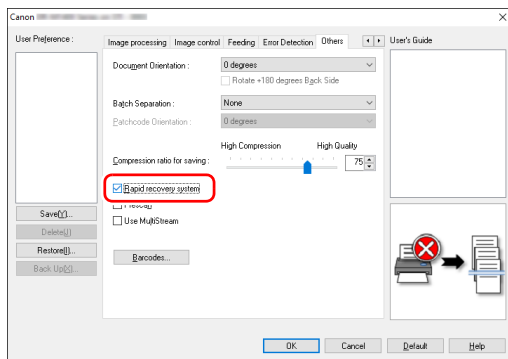
To use the double feed detection function, you must first open the scanner driver settings screen and enable double feed detection. It is also necessary to set [Rapid recovery system] to use the double feed detection ignore function.

## Setting procedure

- 1** Opens the scanner driver's Detail Settings screen. (See p. 32)
- 2** Click the [Error Detection] tab.
- 3** Select either the [Detect by Length] or the [Detect by Ultrasonic] check box (or both).



- 4** To use the double feed detection ignore function, open the [Others] tab and select the [Rapid recovery system] check box.

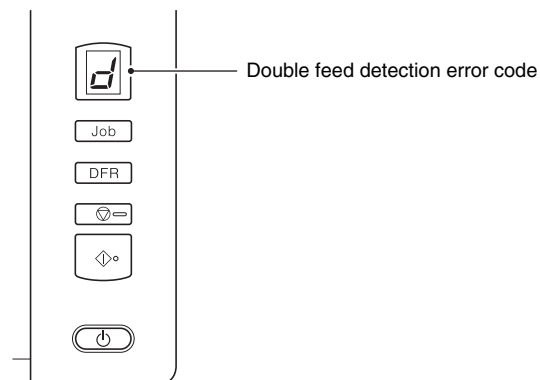


- 5** Click the [OK] button and close the settings screen.
- 6** Place the document as described in the “Placing Documents” procedure on p. 21.

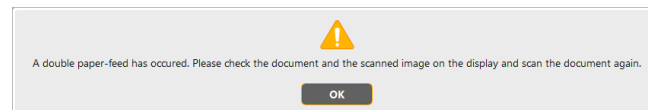
## What to do when a double feed is detected

### When not using the double feed detection ignore function

If a document double feed is detected during scanning, document feeding stops when the double fed documents are ejected. When this happens, the following error code is displayed in the Job No. Indicator of the operating panel.



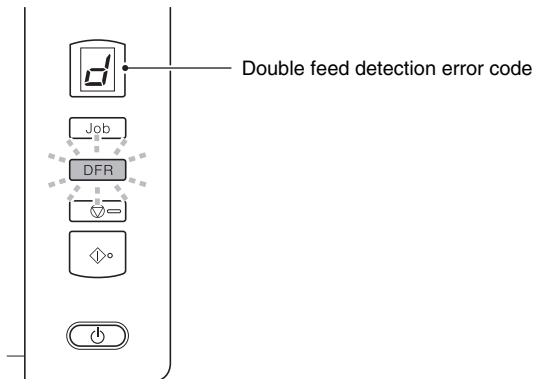
Also, a message screen is displayed to notify you that a double feed has been detected.



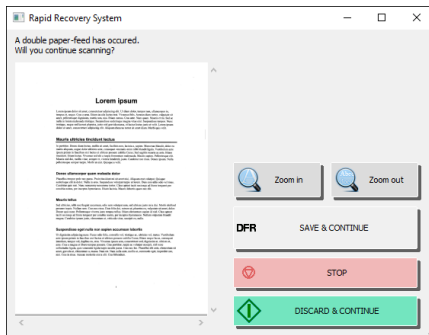
When this happens, stop the scanning in the application and then scan the documents again.

## When using the double feed detection ignore function

If a document double feed is detected during scanning, document feeding stops when the double fed documents are ejected. The following error code is displayed in the Job No. Indicator of the operating panel, and the DFR button lights.



Also, the [Rapid Recovery System] screen appears to enable you to specify whether to continue scanning.



Buttons of [Rapid Recovery System] Screen	Buttons of Operating Panel	Description
[SAVE & CONTINUE]	DFR button	Saves the preview image as a scanned image and scans the rest of the document.
[STOP]	Stop button	Discards the preview image and stops scanning.
[DISCARD & CONTINUE]	Start button	Discards the preview image and continues scanning. Place the double fed document again before clicking this button.

## Detecting Skewed Documents

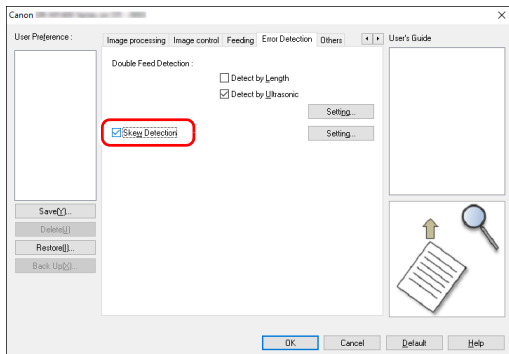
This scanner includes a function that can detect when a document has been fed at a slant. When this function is used, the scanner will stop a scanning operation automatically when it detects a skewed document that exceeds a fixed angle, thereby preventing damage to the document. In addition to skewed documents, this function also detects stapled documents.

This function is useful for documents that are 170 mm (6.7") or larger in width.

To use the skew detection function, open the scanner driver settings screen and enable the skew detection function beforehand.

### Setting procedure

- 1 Opens the scanner driver's Detail Settings screen. (See p. 32)
- 2 Click the [Error Detection] tab.
- 3 Select the [Skew Detection] check box.



- 4 Click the [OK] button to close the settings screen.

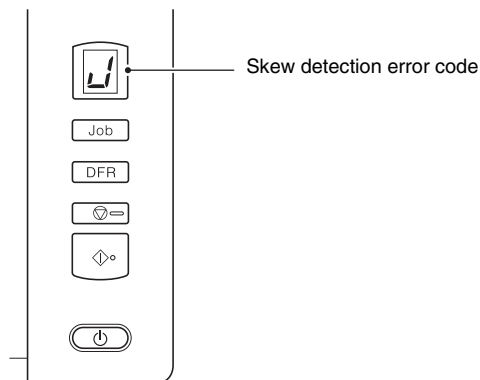
- 5 Place the document as described in "Placing Documents" (see p. 21).

### ! IMPORTANT

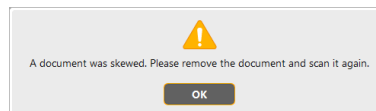
When this function is enabled, small documents and documents that have been placed to the left or right of the center of the feed inlet may be detected as skewed, and the scanning operation may stop. Place documents in the center of the feed inlet, or disable the skew detection function.

### When a skewed document is detected

Feeding automatically stops when a skewed document is detected during scanning. The following error code is also displayed in the Job No. Indicator of the operating panel.



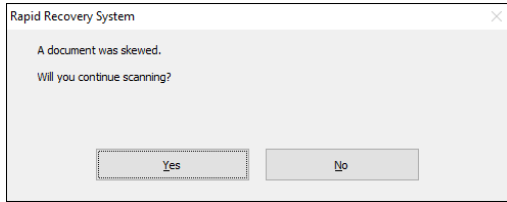
Also, a message screen is displayed to notify you that a skewed document has been detected.



---

 **Hint**

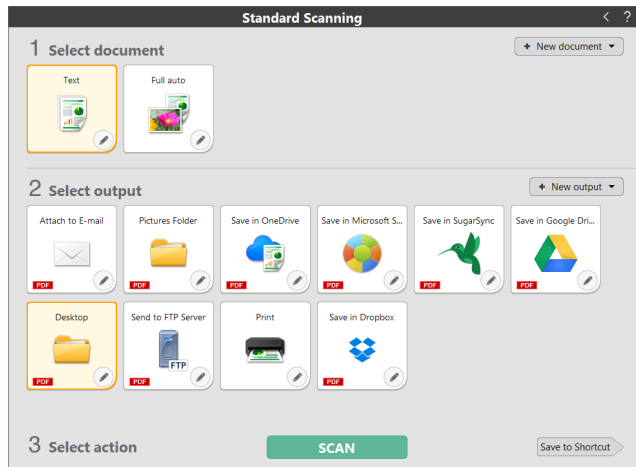
If [Rapid recovery system] is enabled in the [Others] tab of the scanner driver settings screen, the following screen appears instead of the above message screen. In such cases, reload the document and click [Yes] to continue scanning.



## Scanning with CaptureOnTouch

### What is CaptureOnTouch?

CaptureOnTouch is a scanning application that enables you to scan a document with a simple operation merely by selecting the screen panel.



For details about the operations and functions, see the help of CaptureOnTouch.

## Setting the Scanner Driver

When you load the driver for the first time, the selected scanner and a dialog for selecting the default paper size are displayed.



### Hint

- These settings will apply when [Default] is clicked in the ISIS driver dialog box.
- For the TWAIN driver, the default size will be set to A4 and this cannot be modified.

When you scan a document in an ISIS compatible or TWAIN compatible application, open the scanner driver and configure the scanning conditions and other settings.

This section describes the configuration and functions of the scanner driver.

## Configuration and Functions of the Scanner Driver

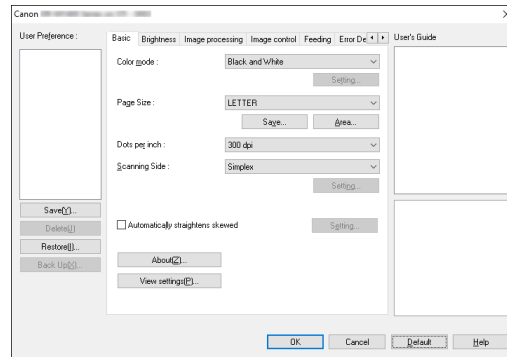
The scanner driver consists of the following tabs.



### Hint

For details on the setting screen, see the Help of the scanner driver. Click the [Help] button of the driver to display help related to the corresponding tab or dialog box.

### [Basic] tab



Configure basic scanning conditions such as the mode, page size, resolution, and scanning side.

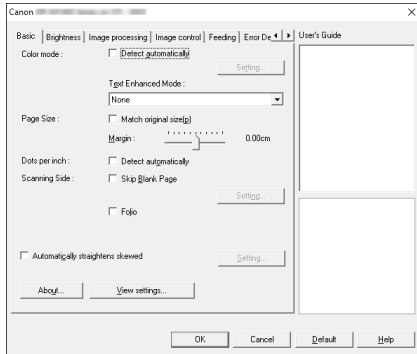
In addition, you can click the [Area] button and specify the area to be scanned.



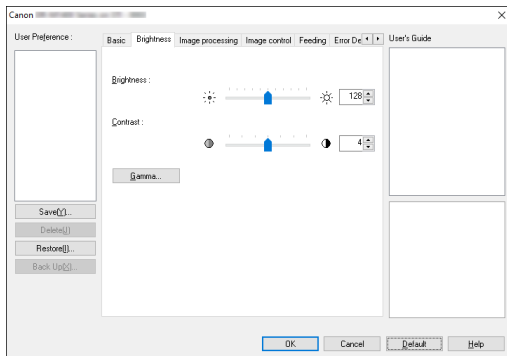


## Hint

Depending on the ISIS compatible application, the application may have its own screen for setting scanning conditions. If the scanner driver is opened in such an application, setting items related to the functions provided by the scanner driver other than scanning conditions will be displayed on the [Basic] tab.

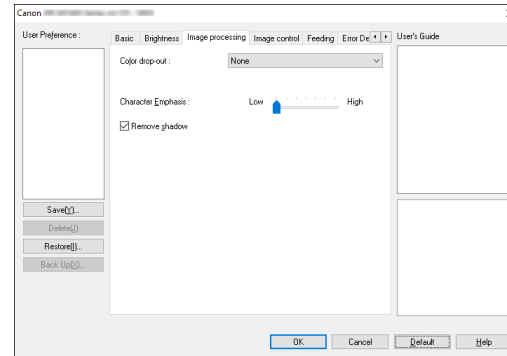


## [Brightness] tab



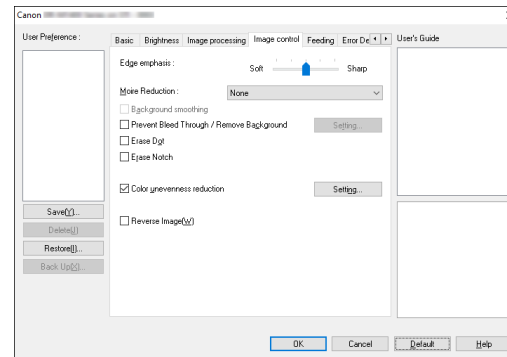
Adjust the brightness and contrast of scanned images. In addition, you can also click [Gamma] and set the gamma correction value for scanned images.

## [Image processing] tab



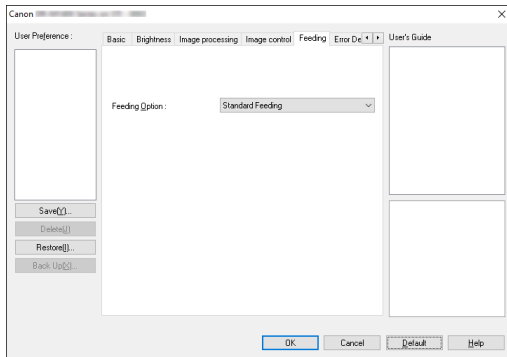
Set the processing method for scanned images.

## [Image control] tab



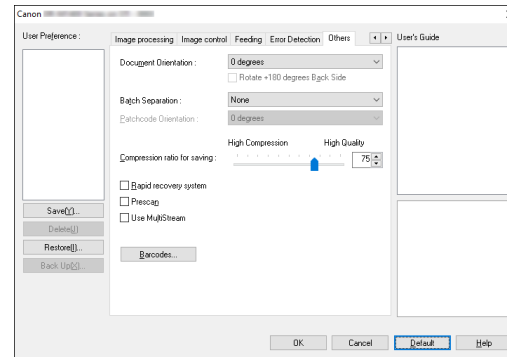
Set the image control method for the scanned image.

## [Feeding] tab



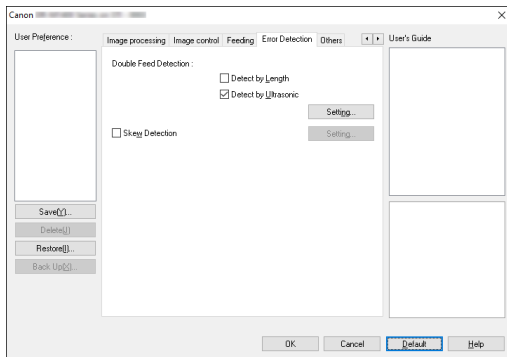
Specify scanner operations related to document feeding.

## [Others] tab



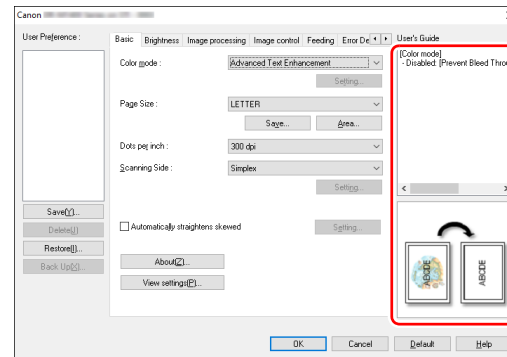
Configure special scan method and image processing settings.

## [Error Detection] tab



Set the items to be detected as errors during the scan.

## User's Guide



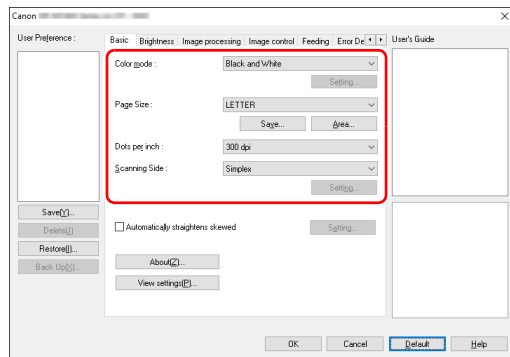
Informs you about the settings changed automatically by the driver. In addition, displays the image for which settings were currently made, in the illustrations.

## Setting Basic Scanning Conditions

This section provides an overview of the basic setting items that are the minimum requirements when configuring the scanner settings.

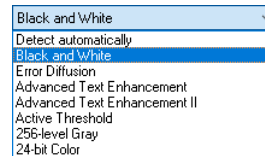
## Confirming Basic Conditions for Scanning

When you scan a document, make sure you confirm the [Color mode], [Page Size], [Dots per inch], and [Scanning Side] basic conditions in the Basic settings dialog box.



### Color mode

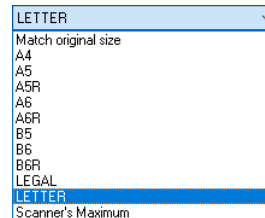
Select the scanning mode.



- [Active Threshold] is intended for batch processing various kinds of documents at once, such as those with thin (light) text or stains. For example, you can batch process documents such as photocopies at once. Brightness-related properties are automatically adjusted based on the text and background of the whole image, enabling consistent reproduction of light characters and removal of background stains.
- [Advanced Text Enhancement II] removes or processes the background color and background surrounding text to enhance the text for easy reading.
- [Detect automatically] detects whether the document is in color, grayscale, or black and white. You can configure advanced settings related to the detection method by clicking [Setting]. For details, see the Help.

### Page Size

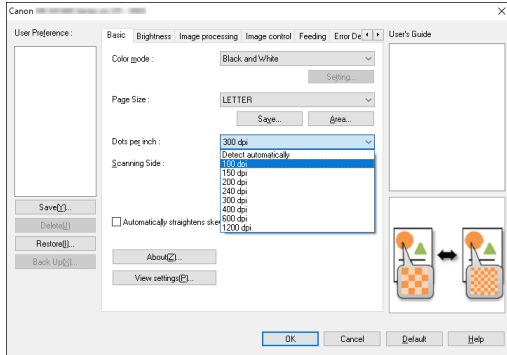
Select the page size that matches the document to be scanned.



If [Match original size] is selected, the edges of the document are detected and images that match the size of the document are saved.

## Dots per inch

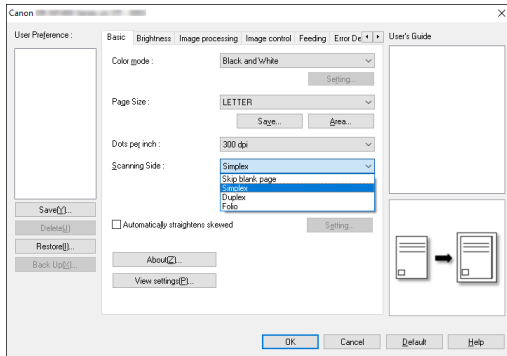
Select the scanning resolution.



- Higher resolutions provide clearer images but result in larger file sizes and slower scanning.
- When [Detect automatically] is specified, the resolution is detected automatically from the content printed in the document.

## Scanning Side

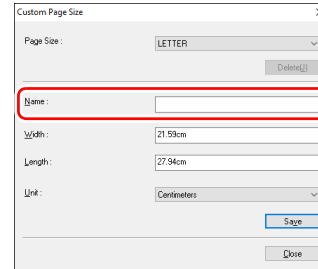
Select which of the sides of the document to scan.



If the scanning side is set to [Skip blank page], the images of blank pages are deleted when images are saved.

## Scanning Documents of Unregistered Page Sizes

You can register a non-standard page size that has not been registered as a page size by naming and registering it as a custom page size in the Custom Paper Size dialog box, which is opened from the [Save] button on the [Basic] tab.

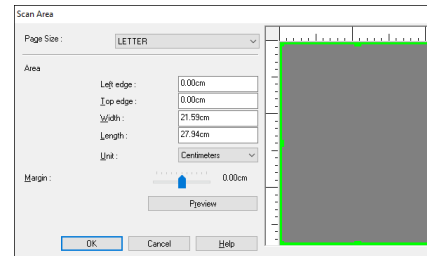


## Specifying the Scan Area

Configure the following settings when you want to specify the area of the document to be scanned.

### Specifying an area

Specify the area of the document to be scanned in the Scan Area dialog box, which is opened from the [Area] button on the [Basic] tab.

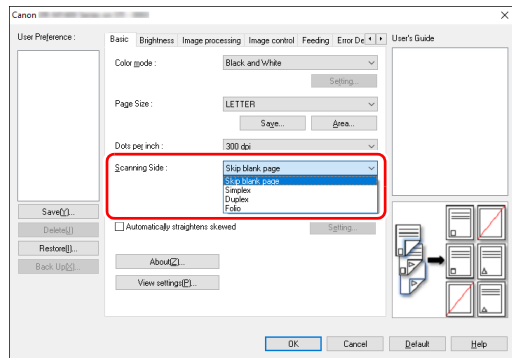


## Configuring Scanner Settings According to Purpose

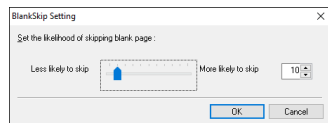
Set the scanning conditions according to the scanning purpose.

### When you want to delete the images of the blank pages in two-sided documents

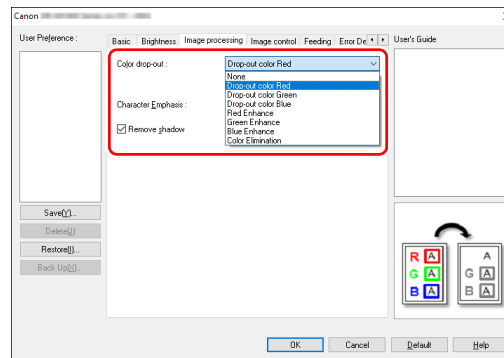
Set the scanning side setting to [Skip Blank Page] on the [Basic] tab to delete the images of the blank pages in the document.



If [Skip Blank Page] is selected, the [Setting] button is enabled, and you can adjust the level for judging whether pages are blank.

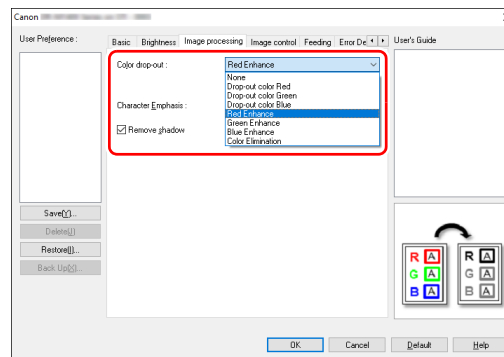


When you do not want to scan colored lines and text  
Specify the color (red, green, blue, all colors) to be ignored (dropped out) in the color drop-out settings on the [Image processing] tab, and that color will be removed from the scanned image.



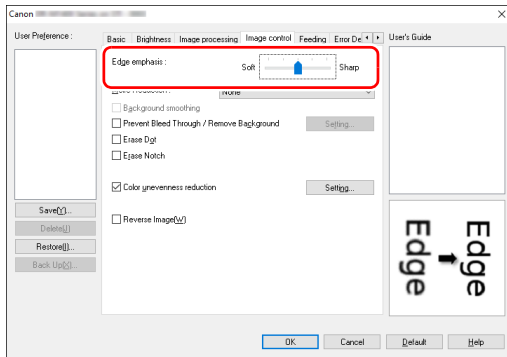
### When you want to enhance a particular color

Specify the color (red, green, blue) to be enhanced in the color drop-out settings on the [Image processing] tab, and that color will be enhanced in the scanned image.



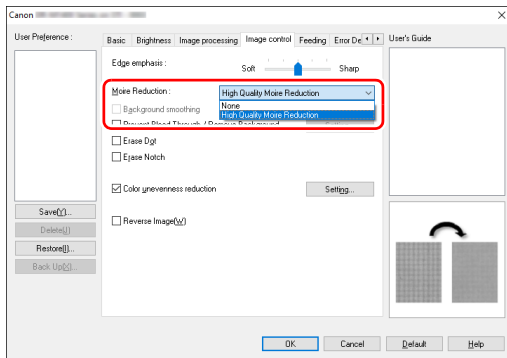
## When you want to enhance contours in images

Adjust the edge emphasis setting on the [Image control] tab.



## When you want to reduce the moire patterns that appear when color photos in magazines and other documents are scanned at low resolutions

Setting [Moire Reduction] on the [Image control] tab sheet allows you to reduce the moire patterns that are generated when color photos are scanned at low resolutions.

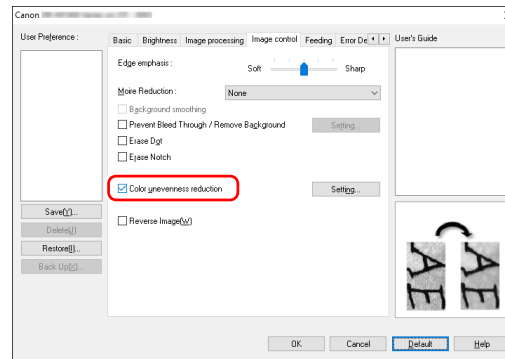


### Hint

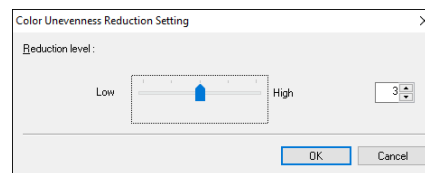
Moire reduction is enabled when the resolution is 300 dpi or less, and [High Quality Moire Reduction] is displayed when the resolution is 240 dpi or less.

## When you want to reduce the color unevenness

Check the check box of [Color unevenness reduction] on the [Image control] tab to reduce the color unevenness.

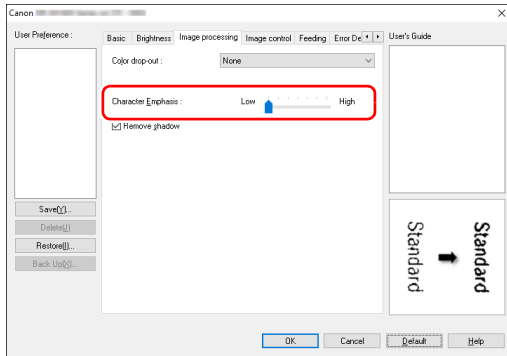


You can control the level of color unevenness by enabling the [Setting] button.



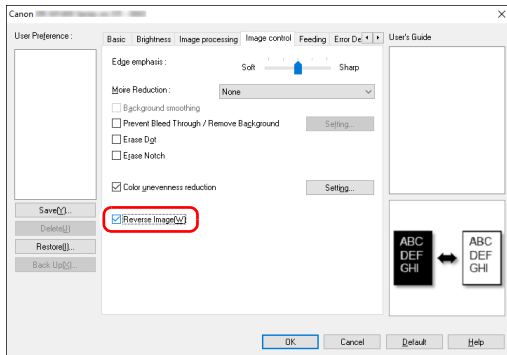
## When you want to make lines and text in scanned images thicker or thinner

Drag the [Character Emphasis] slider in the [Image processing] tab to make lines and text in the scanned images thicker or thinner.



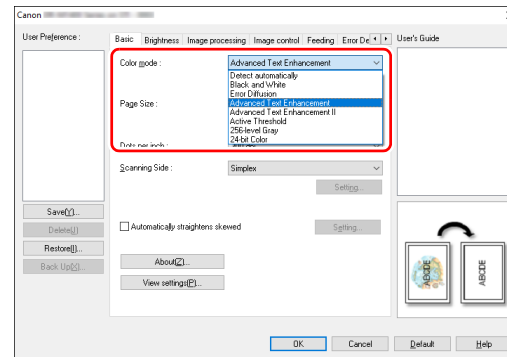
## When you want to reverse black and white in scanned images

Select [Reverse Image] on the [Image control] tab sheet. This outputs scanned images with black and white reversed.



## When you want to enhance text that is difficult to read because of factors such as the background of the scanned document

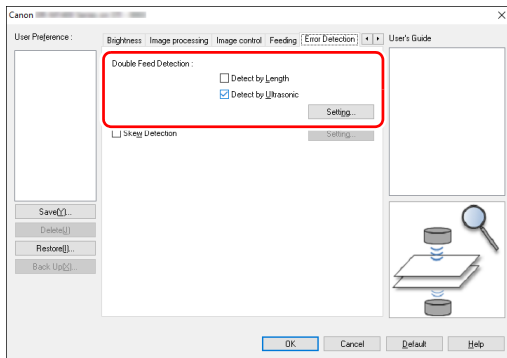
Select [Active Threshold], [Advanced Text Enhancement] or [Advanced Text Enhancement II] for the color mode setting on the [Basic] tab. The background behind the text is removed or processed so that the text is emphasized for better readability.



- [Active Threshold] is intended for batch processing various kinds of documents at once, such as those with thin (light) text or stains. For example, you can batch process documents such as photocopies at once. Brightness-related properties are automatically adjusted based on the text and background of the whole image, enabling consistent reproduction of light characters and removal of background stains.
- Advanced Text Enhancement is suitable for a document with a light background color or a document with a non-uniform background (such as a pattern). If the background is uniform, it is removed where it surrounds the text, and if the background is non-uniform, it is processed to enhance text readability.
- Advanced Text Enhancement II is suitable for scanning a document with a uniform background color and light text and background. If the background is non-uniform, such as a pattern, the background may not be able to be completely removed and the text may become difficult to read. If necessary, you can make the text in scanned images easier to read by adjusting the contrast on the [Brightness] tab.

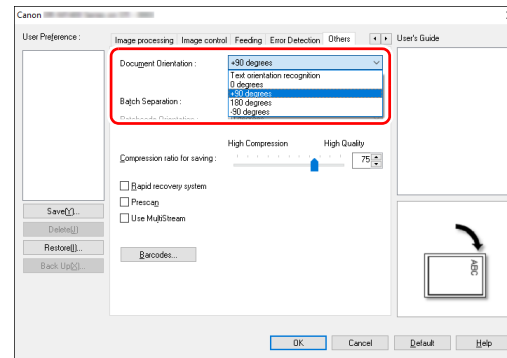
## When you want to detect multiple pages fed at the same time

Select the [Double Feed Detection] check box on the [Error Detection] tab. You can enable either one or both of [Detect by Ultrasonic] and [Detect by Length].



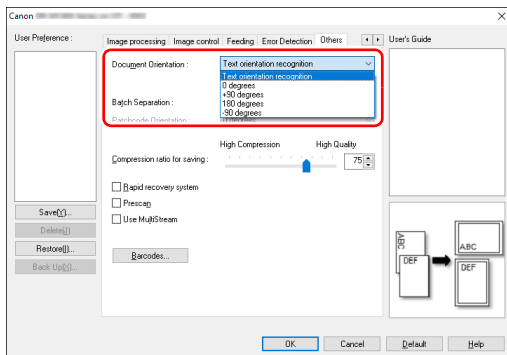
## When you want to rotate the images of a document placed horizontally to correct the orientation

Specify the rotation angle in [Document Orientation] on the [Others] tab.



## When you want to match the orientation of images to the text when scanning a mixture of pages with different text orientations

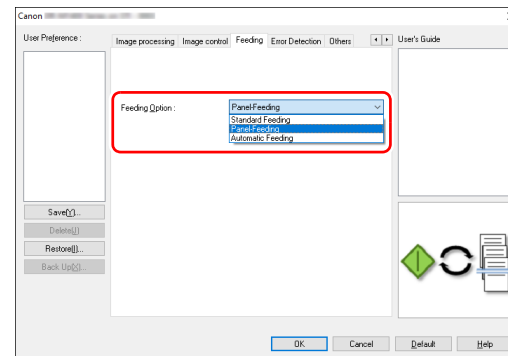
Select [Text orientation recognition] in [Document Orientation] on the [Others] tab. The text orientation on each page is detected, and the scanned image is rotated in 90-degree increments to correct the orientation.



## When you want to use batch separation for scanning

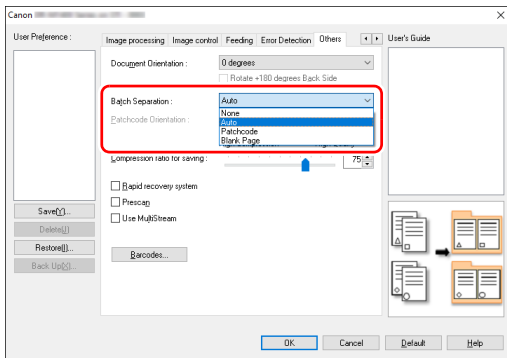
When you want to divide and scan a document, you can separate a batch at the timing with which each next document is placed and scanned. (Only enabled for applications that support batch separation.) In this case, set the scanner driver as follows.

- Set [Feeding Option] on the [Feeding] tab to [Panel-Feeding] or [Automatic Feeding].





- Set [Batch Separation] on the [Others] tab to [Auto].



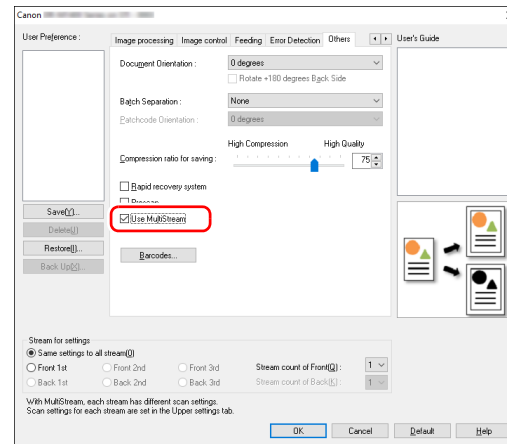
When [Batch Separation] is set to [Auto], the batch is separated after the next document is placed and scanning is continued.

When [Patchcode] is set, batch separation can be performed by using a patchcode. (See p. 45)

## When you want to use multistream settings for scanning

Multi-stream allows you to output multiple different scanned images with a single scan operation, and output scanned images with different scanning conditions for each of the front and back pages (multistream settings).

When you want to use the multistream settings for scanning, select the [Use MultiStream] checkbox on the [Others] tab to display the setting items related to multistream, and then configure the setting items in the following order.



- ① When you want to specify different scanning conditions for the front and back pages of a document, select [Skip Blank Page] or [Both] for [Scanning Side] on the [Basic] tab in advance.
- ② Specify the number of scanning conditions to apply in [Stream count of Front]. Up to three can be specified.
- ③ Select [Front 1st], and then open the other tabs and set the scanning conditions. Depending on the value specified for [Stream count of Front], configure the remaining [Front 2nd] and [Front 3rd] in the same way.
- ④ When specifying the scanning conditions of the back, configure the settings in the same way as described in ② to ③. In this case, specify [Stream count of Back], and then set the scanning conditions for each of [Back 1st] to [Back 3rd].



## Hint

The following shows the setting conditions that can be set in the multistream settings.

Tab	Items that can be set
[Basic] tab	[Color mode] and [Dots per inch] (excluding [Auto-detection] for both)
[Brightness] tab	[Brightness] and [Contrast]
[Image processing] tab	[Color dropout] and [Character Emphasis]
[Image control] tab	[Edge emphasis]
[Feeding] Tab	None (all disabled)
[Error Detection] tab	None (all disabled)
[Others] Tab	None (only [Use MultiStream] is enabled)

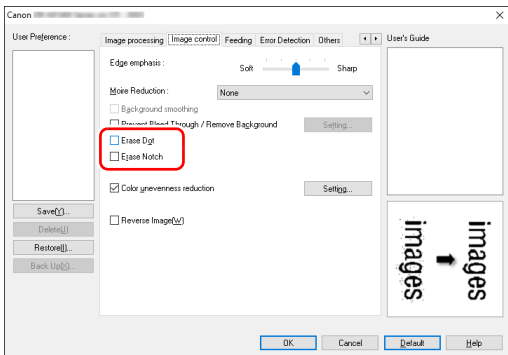
## To scan barcodes

Click the [Barcode] button on the [Others] tab to configure barcode scanning conditions.

See Help for details about settings.

## When you want to remove dots and notches that appear in documents

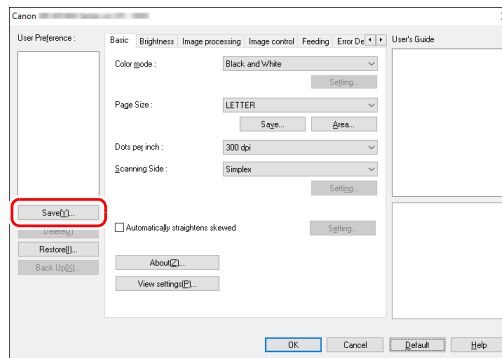
You can remove dots and notches protruding from object outlines that appear in documents from scanned images.



- Select the [Erase Dot] check box to automatically remove isolated black dots (3 x 3 dot size) from white backgrounds (or white dots from black backgrounds).
- Select the [Erase Notch] check box to remove notches that protrude from object outlines in scanned images.

## When you want to save a scanner driver setting

When you finish configuring a setting, click the [Save] button of [User Preference] to save the setting.



The saved setting is registered to the list. You can delete a setting from the list with the [Delete] button, and save or load a configuration file with the [Back Up] or [Restore] button.

## Function Restrictions Depending on Mode Setting

Some of the setting items in each of the driver tabs are disabled as follows depending on the setting for [Color Mode] on the [Basic] tab.

### [Brightness] tab

Setting value	Contrast
Detect Automatically	O
Black and White	O
Error Diffusion	O
Advanced Text Enhancement	X
Advanced Text Enhancement II	O
Active Threshold	O
256-level Gray	O
24-bit Color	O

(O: Available for setting, X: Not available for setting)

### [Others] Tab

Setting value	Prescan
Detect Automatically	X
Black and White	O
Error Diffusion	O
Advanced Text Enhancement	O
Advanced Text Enhancement II	O
Active Threshold	O
256-level Gray	O
24-bit Color	O

(O: Available for setting, X: Not available for setting)

### [Image processing] tab

Setting value	Color drop-out	Character Emphasis
Detect Automatically	X	O <sup>3)</sup>
Black and White	O	O
Error Diffusion	O	O
Advanced Text Enhancement	O	O
Advanced Text Enhancement II	O	O
Active Threshold	O	O
256-level Gray	O	X
24-bit Color	X	X

(O: Available for setting, X: Not available for setting)

---

**[Image control] tab**

Setting value	Edge emphasis	Background smoothing	Prevent Bleed Through / Remove Background	Erase Dot	Erase Notch
Detect Automatically	O	O	O <sup>1)</sup>	O <sup>2)</sup>	O <sup>3)</sup>
Black and White	O	X	O	O	O
Error Diffusion	O	X	O	X	O
Advanced Text Enhancement	O	X	X	O	O
Advanced Text Enhancement II	X	X	X	O	O
Active Threshold	X	X	X	O	O
256-level Gray	O	O	O	X	X
24-bit Color	O	O	O	X	X

(O: Available for setting, X: Not available for setting)

<sup>1)</sup>Not available for setting if all of the following conditions in the [Auto Image Type Detection Settings] dialog box are met.

- [Detection mode] is not set to [Color or Gray]
- [Mode in case of binary] in the [Settings for in case of binary] tab is set to [Advanced Text Enhancement], [Advanced Text Enhancement II], or [Active Threshold]

<sup>2)</sup>Not available for setting if either one of the following two conditions are met.

- [Detection mode] in the [Auto Image Type Detection Settings] dialog box is set to [Color or Gray]
- [Mode in case of binary] in the [Settings for in case of binary] tab is set to [Error Diffusion]

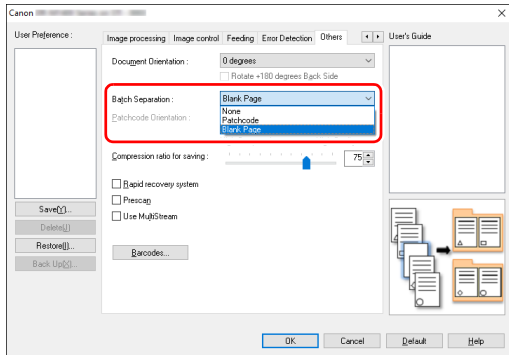
<sup>3)</sup>Not available for setting if [Detection mode] is set to [Color or Gray] in the [Auto Image Type Detection Settings] dialog box.

## More Advanced Scanning Methods

### Batch Separation (Insert blank page)

Recognizes blank pages as batch separators and performs batch separation (automatic file separation) when documents containing blank pages are scanned.

On the [Others] tab of the driver properties, select [Blank Page] from the Batch Separation dropdown list.



#### ! IMPORTANT

- When [Simplex] is selected in [Scanning Side], blank pages on the scanned side will be recognized as separators. When [Duplex], [Skip blank page], or [Folio] is selected in [Scanning Side], document pages will be recognized as separators when both sides of a page are blank.
- Images of pages recognized as separators will not be saved.

### Using a Patchcode for Scanning

DR-M140II supports batch separation (automatic file separation) functions by using patchcodes.

By tucking patchcode sheets supplied with this scanner into a document and scanning it, the scanner can automatically separate files by images of documents containing patchcode sheets (or documents after the patchcode sheet).

#### 💡 Hint

Patchcodes are included with this product in PDF format. An application that can read PDF files is required to use this function.

The following patchcodes are installed together with the scanner driver as PDF files.

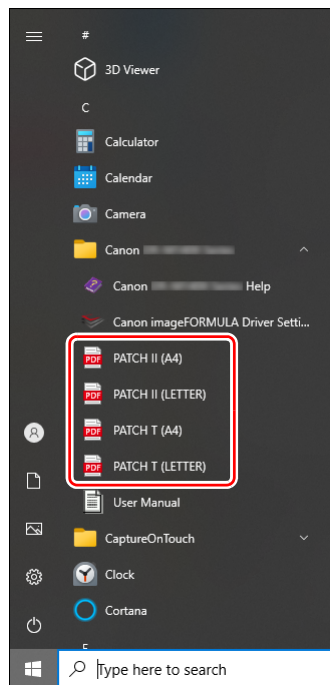
Type of Patchcode	Pattern	Description
PATCH T (FILE A)		Files are separated from the page after the page printed with this patchcode. You specify in the application whether to include the page printed with the patchcode in the scanned image.
PATCH II (FILE B)		Files are separated from the page printed with this patchcode. The page with the printed patchcode is always included in the scanned image.

The following operations are performed when using patchcodes for scanning.

## 1 Print patchcode with a printer.

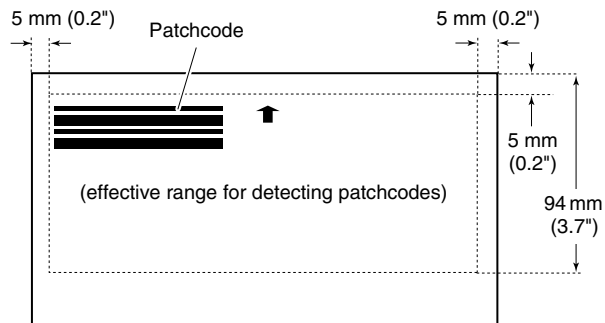
Click [Start] – [Canon DR-M140II Series] and then select [Patchcode] from the menu.

Patchcodes can be printed in A4 and letter (LTR) sizes. Open the application and print a patchcode that is the same size as the document to be scanned.



## ! IMPORTANT

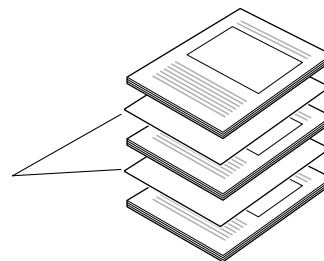
- Patchcodes must be printed in their normal size. If patchcodes are enlarged or reduced, they may not be recognized correctly.
- When copying provided patchcodes to create different sized patchcodes, ensure that the patchcode fits inside the effective range shown in the following diagram. Also, when copying patchcodes, ensure that they are the same size and shade as the original.



- Keep the patchcode sheet clean. Take particular care to keep the patchcode detection range area clean. Also, do not bend, fold or crease the sheet.

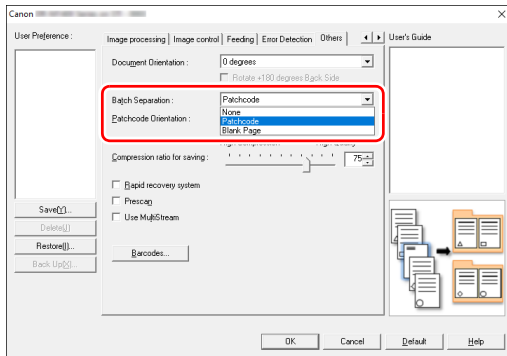
## 2 Place the documents in the scanner after inserting the patchcode sheet in front of the page that separates the files.

Insert the patchcode sheets at the beginning of documents to help with file separation.



### 3 In an application, specify a patchcode as a type of batch separation.

Open the scanner driver settings screen and select [Patchcode] in [Batch Separation] on the [Others] tab.



## Daily Maintenance

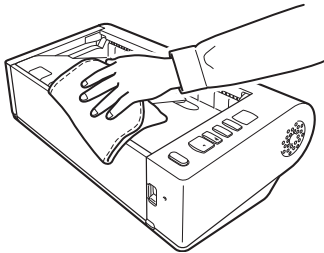
Clean the scanner on a regular basis, as described below, to maintain peak scanning quality.

### CAUTION

- When cleaning the scanner and the inside of the scanner, turn OFF the power switch and disconnect the power cord from the power outlet.
- Do not use spray cleaners to clean the scanner. Precision mechanisms, such as the light source, may get wet, and cause a malfunction.
- Never use paint thinner, alcohol, or other organic solvents to clean the scanner. The exterior of the scanner may become deformed, discolored, or melted. It may also cause a fire or electric shock.

### Cleaning the Scanner

To clean the outside of the scanner, wipe off any dirt with a cloth that has been dampened with water and thoroughly wrung out, and then wipe the scanner dry with a clean dry cloth.



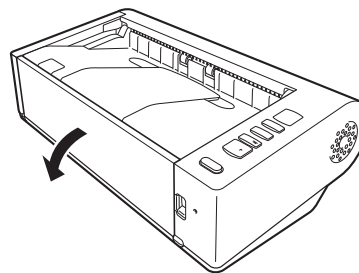
### Cleaning the Inside of the Scanner

Dust or paper particles inside the scanner may cause lines or smudges to appear on scanned images. Use compressed air to periodically clean dust and paper particles from the document feed opening and the inside of the scanner. After finishing a large scanning job, turn OFF the scanner and then clean out any paper particles remaining inside the scanner.

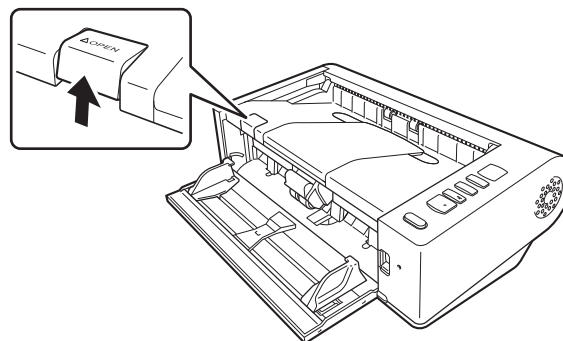
### Cleaning the Sensor Glass and the Rollers

If scanned images contain streaks, or if the scanned documents become dirty, the sensor glass or rollers inside the scanner may be dirty. Clean them periodically.

- 1 Open the document feed tray.



- 2 Raise the OPEN lever, and open the upper unit.

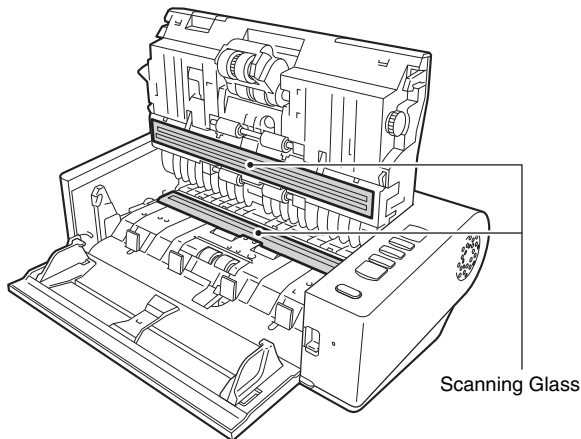




**3 Use compressed air to remove dust and paper particles from the inside of the scanner.**

**4 Wipe any dirt off the scanning glass.**

Wipe any dirt off the scanning glass with a cloth that has been dampened with water and thoroughly wrung out, and then wipe the glass dry with a clean, dry and soft cloth.



**⚠ CAUTION**

Do not spray water or neutral detergent directly on the scanner. Precision mechanisms, such as the light source, may get wet, and cause a malfunction.

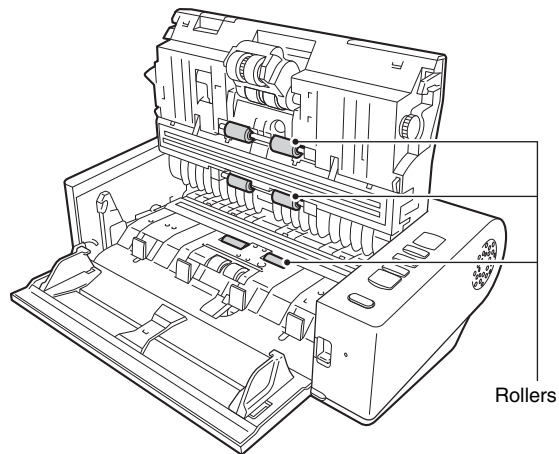
**! IMPORTANT**

Scratches on the sensor glass may cause marks on the images, as well as feeding errors. If there are scratches on the sensor glass, contact your local authorized Canon dealer or service representative.

**5 Clean the rollers.**

Clean the rollers while turning them.

Wipe the rollers with a cloth that has been dampened with water and thoroughly wrung out, and then use a clean, dry and soft cloth to wipe away any moisture.

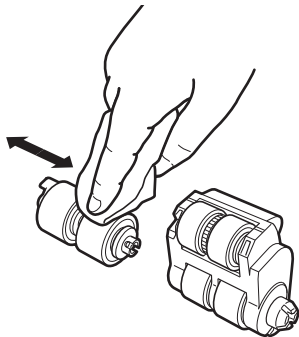


**6 Remove the retard roller and feed roller. (See p. 52, p. 53)**

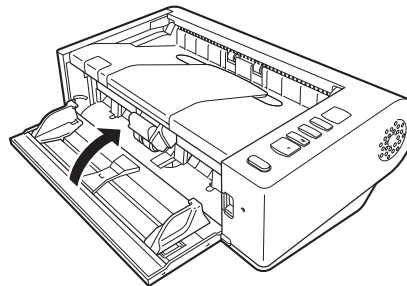
**! IMPORTANT**

Remove the retard roller and feed roller from the scanner to clean them, and be sure to reattach them to the scanner when cleaning is finished.

- 
- 7** Wipe the removed rollers with a cloth that has been dampened with water and thoroughly wrung out.

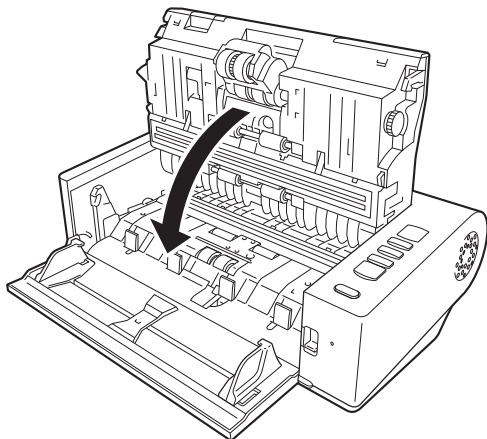


- 
- 10** Close the document feed tray.



- 
- 8** Reattach the retard roller and feeding roller. (See p. 52, p. 53)

- 
- 9** Close the upper unit by gently pushing down on the left and right sides. Push until it clicks into place to make sure that it is completely closed.

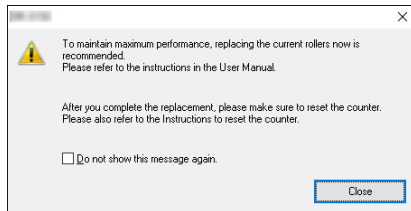


## Replacing Consumable Parts

The feed roller and retard roller are consumable parts.

The feed roller and retard roller wear with scanning. If the feed roller and retard roller are worn, documents may not feed correctly and paper jams and double feeds may occur.

When the total number of pages fed by the scanner exceeds the number of pages for the service life of the rollers, a message prompting you to replace the rollers is displayed when the computer is started.

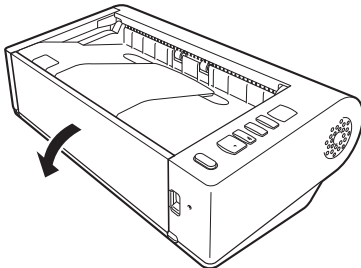


If this message begins to be displayed at startup, purchase an exchange roller kit and replace the worn parts with the consumable parts included in the kit (feed roller and retard roller). See p. 64 for details about the exchange roller kit.

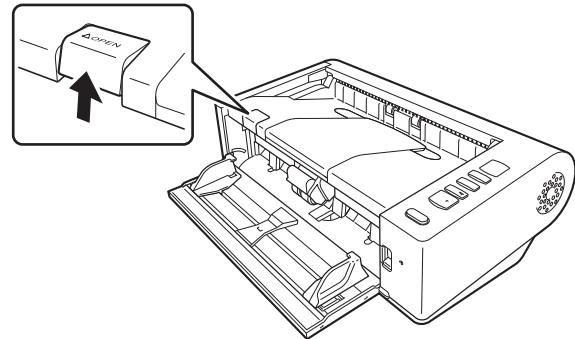
Furthermore, the counter in the scanner that records the number of pages fed also needs to be reset when you replace the rollers. (See p. 54)

## Opening and Closing the Upper Unit

- 1 Open the document feed tray.

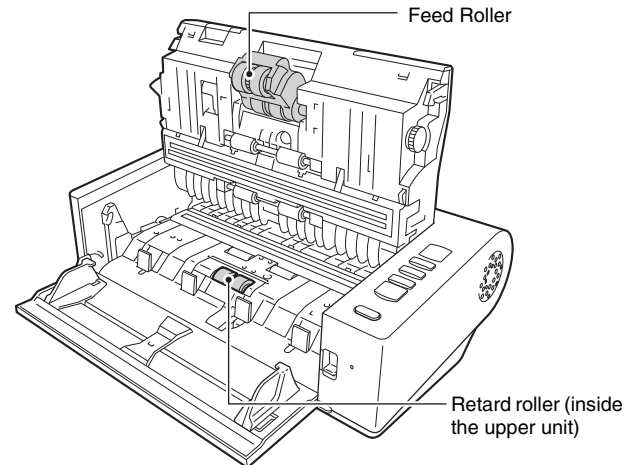


- 2 Raise the OPEN lever, and open the upper unit.

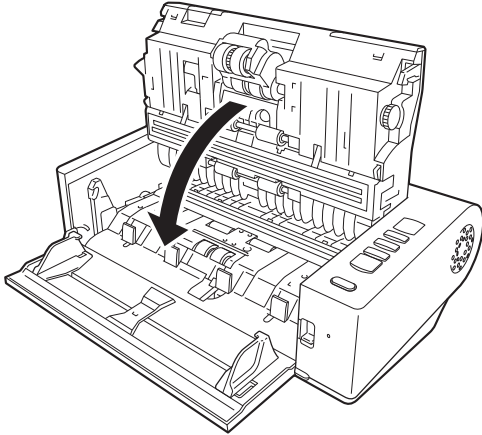


Hint

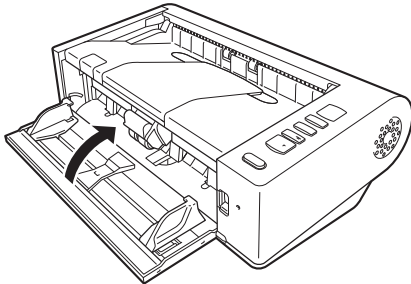
The location of each of the consumable parts is shown below.



- 
- 3** Close the upper unit by gently pushing down on the left and right sides. Push until it clicks into place to make sure that it is completely closed.

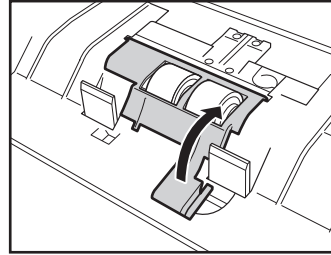


- 
- 4** Close the document feed tray.

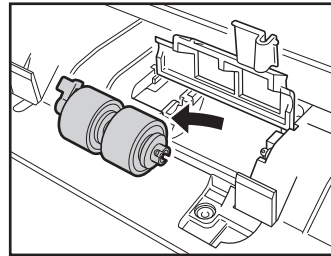


## Replacing the Retard Roller

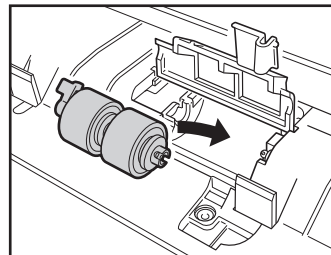
- 
- 1** Unlock the roller cover and open it.



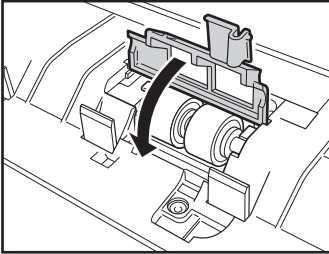
- 
- 2** Remove the retard roller.



- 
- 3** Install the new retard roller.

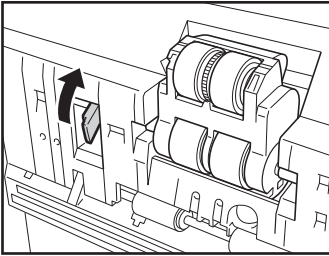


- 
- 4** Press the roller cover to close it.

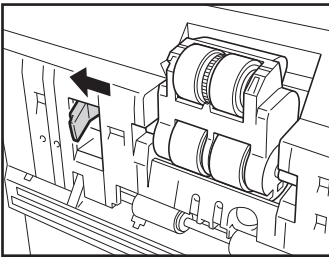


## Replacing the Feed Roller

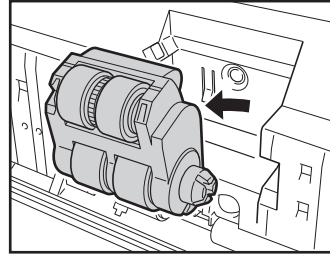
- 
- 1** Lift the securing lever for the feed roller forward.



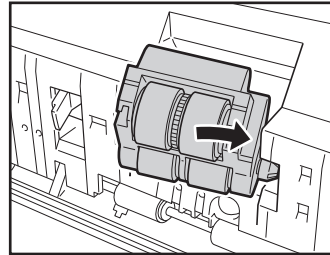
- 
- 2** Slide the securing lever for the feed roller to the left.



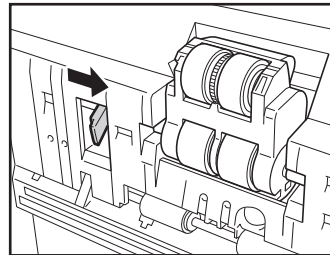
- 
- 3** Remove the feed roller, detaching the left side first.



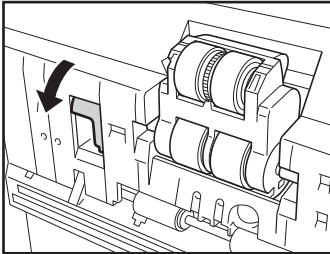
- 
- 4** Install the new feed roller, attaching the right side first.



- 
- 5** Slide the securing lever for the feed roller to the right.



- 
- 6** Lower the securing lever for the feed roller until it clicks into place.



---

## About the Canon imageFORMULA Driver Setting Tool

### What is Canon imageFORMULA Driver Setting Tool?

The Canon imageFORMULA Driver Setting Tool can be used to check the information of the scanner, or to configure the maintenance settings.

Canon imageFORMULA Driver Setting Tool consists of the following tabs.

#### [Information] tab

You can check the firmware's version information and scanner information.

#### [Maintenance] tab

You can reset the counter of the roller, or carry out the shrinkage rate control.

#### [Control] tab

You can carry out the control settings of hardware and drivers, and perform the read or write of the control settings.

From the configuration of the hardware, you can set the automatic power-off function.

#### [Diagnostic] tab

You can output or delete the log file.

## Start-up of the Canon imageFORMULA Driver Setting Tool

Click the Start button, then click [Canon DR-M140II Series] - [Canon imageFORMULA Driver Setting Tool] in that order. Canon imageFORMULA Driver Setting Tool will start.

## Common Problems and Solutions

This section provides recommended solutions to common problems. If you have a problem that is not solved by the following, contact your local authorized Canon dealer.

### **Problem 1 The scanner will not turn on.**

**Solutions** Confirm that the AC adapter is plugged firmly into a power outlet.

### **Problem 2 The scanner is not recognized.**

**Solutions**

- (1) Confirm that the scanner is properly connected to the computer with a USB cable.
- (2) Confirm that the scanner is turned on. See the previous problem (1) if the scanner does not turn on.
- (3) The computer's USB interface may not support the scanner. The scanner cannot be guaranteed to work with all USB interfaces.
- (4) Confirm that the supplied USB cable is used to connect the scanner to the computer. The scanner cannot be guaranteed to work with all available USB cables.
- (5) If the scanner is connected to the computer via a USB hub, try removing the hub and connecting directly to the computer.

### **Problem 3 Documents feed askew (scanned images are slanted).**

**Solutions**

- (1) Align the document guides to fit the documents as closely as possible, and load the documents so that they feed straightly.
- (2) Enable [Automatically straightens skewed] in the scanner driver settings.
- (3) If many pages have been scanned since roller cleaning, clean the rollers. If documents still feed askew, roller replacement or other maintenance may be needed. See "[Maintenance](#)" on p. 48 for roller replacement procedures.

### **Problem 4 Documents are not scanned according to the settings configured in the scanner driver.**

**Solutions** When you scan using [Select document] panel registered with CaptureOnTouch, the CaptureOnTouch settings have priority over the scanner driver settings. Edit settings in the [Select document] panel, or create a new [Select document] panel using the desired scanning conditions.

### **Problem 5 If white lines or streaks appear in scanned images.**

**Solutions** Clean both sides of the scanner glass, and the rollers. If a sticky substance such as glue or correction fluid is found, carefully wipe with just enough pressure to clean the area where the lines appear. If the problem cannot be solved by cleaning, the internal glass may be scratched. Contact your local authorized Canon dealer.

### **Problem 6 Pages are missing.**


**Solutions** When the scanner driver's [Scanning Side] setting is [Skip Blank Page], documents with very little black may be unintentionally skipped. Decrease the Set the likelihood of skipping blank page value ("[When you want to delete the images of the blank pages in two-sided documents](#)" on p. 37) or set the [Scanning Side] to another mode, such as simplex or duplex. If pages are skipped due to the document double feeding, see "Problem 7 Documents jam (or double-feed)."

**Problem 7 Documents jam (or double-feed).**

- Solutions
- (1) If the roller has been installed correctly, clean it if necessary.
  - (2) Proper scanning may not be possible when document pages stick together due to static electricity. Fan the documents before you load them.
  - (3) Set the scanner to Non separation feeding mode, and manually feed the scanner one page at a time.

**Problem 8 Multiple pages of scanned images cannot be saved to a single file.**

Solutions Depending on the file format, multiple scanned image pages cannot be saved as a single file with CaptureOnTouch.

File type	Processing for multiple pages
BMP, JPEG, PNG	Scanned images are always saved one page per file.
PPTX	Multi-page images are always saved to a single file.
TIFF, PDF	You can save multiple pages to a single file by clicking  and selecting [Save all pages as one file] in the displayed dialog box.

**Problem 9 All of the placed documents have been scanned, but the scanned image does not appear on the application.**

Solutions When [Panel-Feeding] or [Automatic Feeding] is selected as the feeding method on the scanner driver's Detail Settings screen, a scanning operation will not continue after all of the documents are fed, as the scanner awaits additional documents to be fed. You can finish the operation and send the scanned images to the application by pressing the Stop button on the operating panel.

**Problem 10 Scanned images of multiple pages cannot be saved in a single JPEG or BMP (PICT) file.**

Solutions Multiple scanned images cannot be saved in a single JPEG or BMP (PICT) file. Save the images in either multi-page TIFF or PDF format.

**Problem 11 Memory becomes insufficient and scanning stops.**

Solutions If you configure scanning conditions that use a large amount of the computer's memory, scanning may stop because of insufficient memory. Although this depends on the computer's memory size, the possibility of insufficient memory increases if any of the following scanning conditions overlap.

- [Color Mode] is set to [24-bit Color]
- A large page size (e.g. Legal) is specified as the [Page Size]. Alternatively, the page size is set to [Scanner's Maximum].
- A high resolution (600dpi etc.) is specified for [Dots per inch].

If an error message appears due to insufficient memory while scanning is in progress, exit the application, change the scanning conditions (e.g. reduce the resolution or page size) and then try scanning again. In addition, the amount of memory used can be contained by turning off [Moire Reduction] and [Prevent Bleed Through / Remove Background] if they are set to on.



---

## Software Troubleshooting

---

This section describes troubleshooting problems and solutions for operating the supplied software (CaptureOnTouch).

### **If scanning is too slow**

- (1) Close other running programs, if any.
- (2) Scanning can be slowed down by memory shortage caused by memory-resident applications such as anti-virus programs. Close such memory-resident programs if necessary to free up memory space.
- (3) When insufficient hard disk space is available, the scanner may be unable to create the necessary temporary files for scanned data. Delete unneeded data on the hard disk to free up more space.
- (4) Scanning is slow if the computer's USB port is not Hi-Speed USB 2.0 compliant.
- (5) If using a common USB cable that is not Hi-Speed USB 2.0 compliant, replace the cable with the supplied compliant cable.
- (6) When the scanner is connected to the computer via a USB hub that is not Hi-Speed USB 2.0 compliant, remove the hub and connect the scanner directly to the computer.

### **If scanned image files cannot be opened in an application**

- (1) Scanned images saved as multi-page TIFF files can be opened only by programs that support this file format.
- (2) Images saved as compressed TIFF files (single- as well as multi-page) can only be opened by programs that support the compressed format. This can occur with programs that are not compatible with CaptureOnTouch. In this case, select "None" as the image file compression format before scanning.

### **There is a display glitch on the UI screen of CaptureOnTouch.**

Depending on the computer that you are using, a display glitch may occur on the UI screen when there are too many Scan mode panels, Select output panels, or Scanning Shortcut panels. Delete any panel that you will not use.

---

## Useful tips


---

Here are some useful tips for scanning documents.

### Where are scanned images saved? Can the save destination be changed?

Images are saved to the following locations, according to program settings. All destination locations can be changed to other folders. Both Standard Scanning and Scanning Shortcut save the output to the destination set in the [Select output] panel.

### How are the scan settings configured?

By clicking the Edit button ( [  ] ) in the [Select document] panel, you can edit the scan settings when the [Select document edit screen] opens.

### How do I save multiple pages in one file, or save one file per page?


When scanned images are saved in BMP, JPEG or PNG format, each image is always saved in a separate file.

When scanned images are saved in PDF or TIFF format, you can specify multi- or single-page files. See also “Problem 8” in “Common Problems and Solutions”.

### Can I copy or back up scanner setting configurations?

The setting configurations can be backed up and restored using [Back Up/Restore] on the [Basic settings] tab on the [Environmental settings] dialog box.

### What rules apply to scanned image file names?

For both Standard Scanning and Scanning Shortcut, the file names of scanned images are set based on the settings in the [Select output] panel. This screen opens when you click the Edit button ( [  ] ) in the [Select output] panel.

Click the [Detail Settings] button on this screen. You can set the file names of scanned images by setting all or some of the three items shown below.

Setting	Description
File name	Any specified text string to be included in the file name.
Add date and time	Appends the date and time to file names. Select the date format from the list box. YYYY = year, MM = month, and DD = day of month. The time is appended after the date.
Add counter to file name	Append serial numbers in the order of scanned image saving. Specify the number of digits and starting number.

A sample file name is displayed as the [File name] in the [File name settings] dialog box.

### How do I scan half-folded documents (folio scanning)?

Fold the document in half, and set it in the scanner with the fold at the right. Specify half-size document (the size after folding) and select [Folio] for the [Scanning side], then scan. For details, [see p. 23](#).

### How can I skip blank pages, and scan only non-blank pages?

Specify [Skip Blank Page] on the scanner driver setting screen, then scan.

### How do I scan cards?

Place cards in the scanner vertically. Specify the same size as the card (or [Match original size]), then scan. For details, [see p. 13](#).

### How do I load and scan documents with mixed sizes?

Set [Page Size] to [Match original size] (or [Detect automatically]) on the scanner driver setting screen, then scan. For details, [see p. 35](#).

### What is the best way to scan business cards or photos?

Set [Page Size] to [Match original size] (or [Detect automatically]) on the scanner driver setting screen, then scan. Alternatively, register the size of the cards or photos to be scanned. For details, [see p. 36](#).

---

### **How do I print scanned data?**

- For both Standard Scanning and Scanning Shortcut, select [Print] in the [Select output] panel.
- To use this function, you need to install a plug-in.
- The plug-in can be installed by selecting its checkbox when installing CaptureOnTouch.

### **I want to save to other folders**

- In CaptureOnTouch, destinations other than [Save to folder] are provided as a plug-in.
- By installing the plug-in, the scanned image can be printed, attached in an e-mail, or shared using various cloud services.
- The plug-in can be installed by selecting its checkbox when installing CaptureOnTouch.
- The available output destinations vary depending on the installed plug-in.

### **How can I attach scanned data to an e-mail (or send it as e-mail)?**

- For both Standard Scanning and Scanning Shortcut, select [Attach to E-mail] in the [Select output] panel.
- To use this function, you need to install a plug-in.
- The plug-in can be installed by selecting its checkbox when installing CaptureOnTouch.

## Clearing Paper Jams and Skewed Documents

When paper jams and skewed documents are detected during scanning, the following error codes are displayed in the scanner's display panel and scanning is interrupted.

**P** Paper jam error code

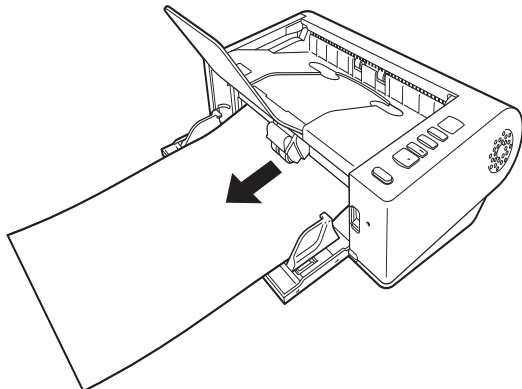
**J** Skew detection error code

When a paper jam or double feed occurs during scanning, use the following procedures to clear them.

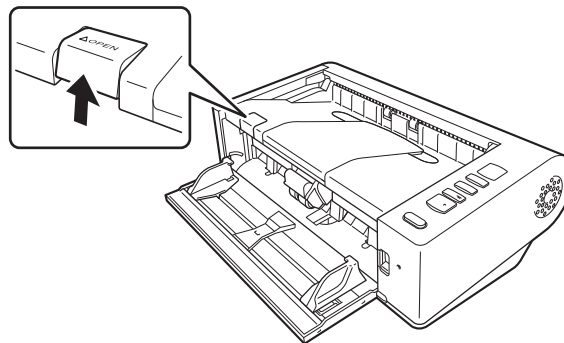
### **!** CAUTION

Be careful when removing jammed paper. take care not to cut your hand on the edges of the paper.

- 1** Remove the document that is not jammed and remains on the document feed tray.



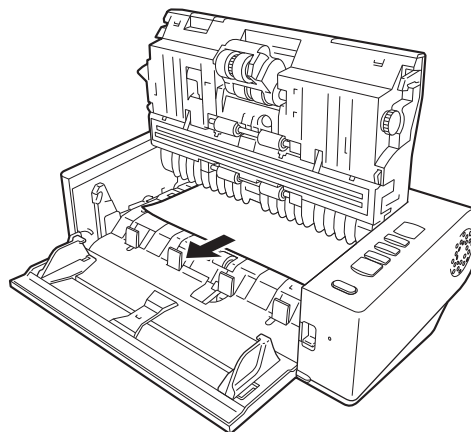
- 2** Raise the OPEN lever, and open the upper unit.



### **💡** Hint

The "C" error code appears in the operating panel when the upper unit is open.

- 3** Remove the jammed document.

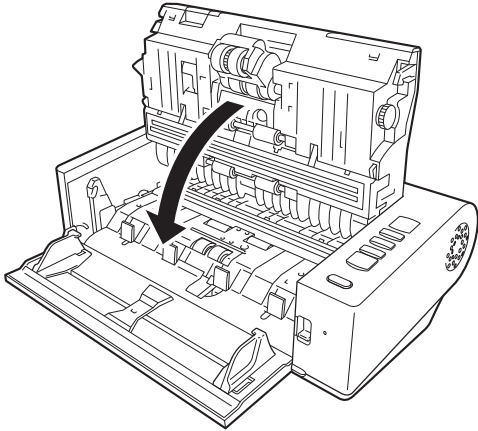


---

**!** **IMPORTANT**

Make sure to pull the document out carefully, without applying too much force. If the jammed paper tears while you are pulling it out, make sure to remove any remaining pieces from inside the scanner.

- 4** **Close the upper unit by gently pushing down on the left and right sides. Push until it clicks into place to make sure that it is completely closed.**



After removing the jammed paper, check to see if the last page was scanned correctly, and then continue scanning.

**💡 Hint**

When the [Rapid recovery system] check box is enabled in the scanner driver settings screen, you can resume a scanning operation even if it is interrupted by a paper jam by removing the document and resuming from the document that was being fed when the interruption occurred.

As the image of the document that was being fed at the time of the interruption may not be saved in such cases, be sure to verify the last scanned image before resuming the operation.

---

## Uninstalling the Software

---

If the ISIS/TWAIN driver or CaptureOnTouch is not operating normally, follow the procedure below to uninstall them. Then, re-install the software. See Setup Guide.

 **IMPORTANT**

Log on to Windows as an Administrator.

- 1** 

---

**From the Windows task bar, click Start button → click [Windows System] → click [Control Panel].**  
The Control Panel appears.
- 2** 

---

**Click [Uninstall a program].**
- 3** 

---

**From the Programs list, select the software you want to remove and then click [Remove].**  
The delete confirmation screen appears.
- 4** 

---

**Click [Yes].**  
Uninstallation of the software is now complete.

## Specifications

### Main Unit

Type	Desktop sheetfed scanner	Loading capacity:	3 cards (non-embossed), 1 card (embossed)
Scanning Document Size		Scanning Sensor	Contact image sensor
Plain Paper		Light source	LED
Size	Width: 50.8 mm to 216 mm (2" to 8.5") Length: 54 mm to 356 mm (2.12" to 14") (You can scan documents up to 5,588 mm (220") long by setting the scanner to the Long Document mode.)	Scanning Side	Simplex/duplex
Paper weight:	Straight path: 27 to 255 g/m <sup>2</sup> (7 to 68 lb bond) 0.04 mm to 0.3 mm (0.00157" to 0.0118") U-turn path: 27 to 128 g/m <sup>2</sup> (7 to 34 lb bond) 0.04 mm to 0.15 mm (0.00157" to 0.0075")	Scanning modes	Black and White, Error Diffusion, 256-level Grayscale, Advanced Text Enhancement, Advanced Text Enhancement II, Active Threshold, 24-bit Color
Loading capacity:	80 sheets (Size: A4 or smaller (Same type document only), Paper weight: 70-100 g/m <sup>2</sup> , Temperature: 15°C to 27.5°C (59 °F to 81.5 °F), Humidity: 25% to 75% RH) Total thickness: 10 mm or less	Optical Resolution	Maximum 600dpi
Scanning mixed-size documents in the same batch:	A4 size or smaller: 50 sheets (up to 80 g/m <sup>2</sup> (22 lb bond)) Larger than A4 size: 40 sheets (up to 80 g/m <sup>2</sup> (22 lb bond)) Total thickness: 10 mm or less	Output Resolution	100dpi/150dpi/200dpi/240dpi/300dpi/400dpi/600dpi/1200dpi
Business Card		Scanning Speed (Conditions: Core i7-9700 3.00GHz CPU, 16 GB memory, A4 document size)	
Size:	50.8 mm x 85 mm (2.00" x 3.35") or larger	Grayscale	Simplex 200dpi 40 pages/min. 300dpi 40 pages/min.
Paper thickness:	380 g/m <sup>2</sup> (80 lb bond) 0.45 mm (0.0177") or smaller	Duplex	200dpi 80 images/min. 300dpi 80 images/min.
Orientation:	Vertical feeding only	24-bit Color	Simplex 200dpi 40 pages/min. 300dpi 40 pages/min.
Eject method:	Straight path only	Duplex	200dpi 80 images/min. 300dpi 80 images/min.
Card		Interface	Hi-Speed USB 2.0
Size:	54 mm x 86 mm (2.12" x 3.37") (ISO standard)	Other functions	Folio scanning, double feed detection ignore
Card thickness:	0.76 mm (0.03") or less, 1.4 mm (0.055") or less for the embossment	External Dimensions	313 mm (12.32")(W) x 181 mm (7.13")(D) x 93 mm (3.66")(H)
Orientation:	Vertical feeding only	Weight (without AC adapter)	Approximately 2.6 kg (5.7 lb)
Eject method:	Straight path only	Power Supply (using AC adapter)	DC24V 0.9A
		Power Consumption	Scanning: Maximum 24.5 W In the Sleep mode: 1.6 W With power switch OFF: Maximum 0.1 W
		Operating Environment	Temperature: 10°C to 32.5°C (50°F to 90.5°F) Humidity: 20% to 80% RH

---

## AC Adapter (100 to 240 V type)

Model Number	6G3-0267
Input	AC100 to 240V, 50/60 Hz, 1.06 to 0.6 A
Output	DC24V 2.0A
Weight	Approximately 0.3kg (0.66 lb) (excluding power cord)

Specifications are subject to change without notice due to product improvements.

---

## Replacement Parts

### Exchange roller kit (product code: 6332C001)

Kit to replace the rollers (feed roller, retard roller).

- For the replacement procedure, see [“Replacing Consumable Parts” on p. 51](#).
- Contact your local authorized Canon dealer or service representative for detailed information about the replacement parts.

---

## Option

### Flatbed scanner unit 102 (product code: 2152Cxxx)

Flatbed scanner unit that can be connected to and used with a DR scanner. Connecting the unit to this scanner enables you to use this scanner as a flatbed scanner with an automatic document feeder.

### Flatbed scanner unit 201 (product code:6240Bxxx)

A flatbed scanner unit that can be used by connecting to a DR scanner and supports A3 size paper. Connecting the unit to this scanner enables you to use this scanner as a flatbed scanner with an automatic document feeder.

Specifications are subject to change without notice due to product improvements.

---

## About the Flatbed Scanner Unit

The optional Flatbed Scanner Unit can be connected to and used with this scanner.

### System requirements

The computer must comply with the necessary system requirements of Flatbed Scanner Unit.

The scanner driver of Flatbed Scanner Unit needs to be installed to use the unit.

---

## About Use with CaptureOnTouch

### About Assigning Function to Start Button

When you connect Flatbed Scanner Unit, you can assign Scanning Shortcut of CaptureOnTouch to the start button of Flatbed Scanner Unit.

### Limitation of Restarting with Start Button

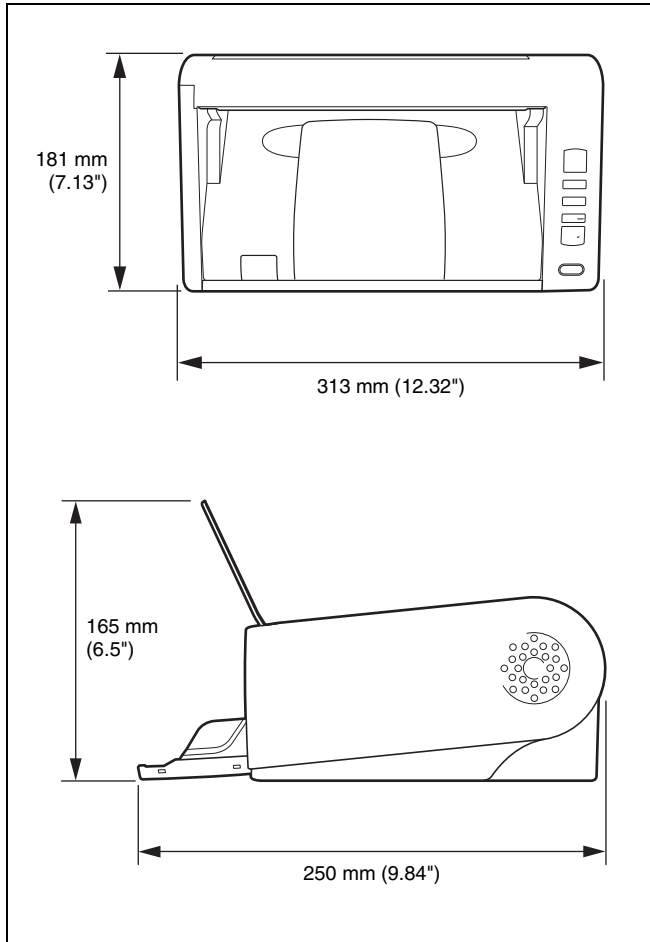
When CaptureOnTouch is set not to be resident in memory, CaptureOnTouch cannot be restarted by pressing the start button on Flatbed Scanner Unit after you end CaptureOnTouch.

### About Setting up the Scanner Driver

When functions of this scanner cannot be selected with the Flatbed Scanner Unit settings dialog box, click [Option] in the dialog box to open the scanner driver and make the required settings.



## Dimensions



---

# Index

---

## Numerics

2D code ..... 14

## A

Adjusting the Reduction Ratio ..... 54

Auto Power Off Setting ..... 54

## B

Barcode ..... 14, 42

Batch Separation ..... 40

## C

CaptureOnTouch ..... 31

Card ..... 23

## D

DFR button ..... 16, 28

Documents

Card ..... 23

Folded documents, placing ..... 23

Loading Documents ..... 20

Double Feed Detection ..... 26

## F

Flatbed scanner unit ..... 64

## J

Job No. Indicator ..... 16

Job Select Button ..... 16

## L

Long Document Mode ..... 24

## M

Multi-stream setting ..... 41

## O

Operating Panel ..... 16

## P

Patchcode ..... 45

Power ..... 9

## R

Reset

Counter ..... 54

Rollers

Cleaning ..... 48

Replacing ..... 51

## S

Scanner Driver

Basic Settings ..... 35

Configuring Settings According to Purpose ..... 37

Scanning Glass

Cleaning ..... 48

Skew Detection

..... 29

Start Button

..... 16

Stop Button

..... 16

System Requirements of Software

..... 8

## U

Uninstalling ..... 62

---

## WEEE CAUTION

---



---

### English

#### Only for European Union and EEA (Norway, Iceland and Liechtenstein)

This symbol indicates that this product is not to be disposed of with your household waste, according to the WEEE Directive (2012/19/EU) and national legislation. This product should be handed over to a designated collection point, e.g., on an authorized one-for-one basis when you buy a new similar product or to an authorized collection site for recycling waste electrical and electronic equipment (EEE).

Improper handling of this type of waste could have a possible negative impact on the environment and human health due to potentially hazardous substances that are generally associated with EEE. At the same time, your cooperation in the correct disposal of this product will contribute to the effective usage of natural resources. For more information about where you can drop off your waste equipment for recycling, please contact your local city office, waste authority, approved WEEE scheme or your household waste disposal service. For more information regarding return and recycling of WEEE products, please visit [www.canon-europe.com/sustainability/approach/](http://www.canon-europe.com/sustainability/approach/).

#### Only for the United Kingdom

This symbol indicates that this product is not to be disposed of with your household waste, according to the UK Waste Electrical and Electronic Equipment Regulations. This product should be handed over to a designated collection point, e.g., on an authorized one-for-one basis when you buy a new similar product or to an authorized collection site for recycling waste electrical and electronic equipment (EEE). Improper handling of this type of waste could have a possible negative impact on the environment and human health due to

potentially hazardous substances that are generally associated with EEE. At the same time, your cooperation in the correct disposal of this product will contribute to the effective usage of natural resources. For more information about where you can drop off your waste equipment for recycling, please contact your local city office, waste authority, approved WEEE scheme or your household waste disposal service. For more information regarding return and recycling of WEEE products, please visit [www.canon-europe.com/sustainability/approach/](http://www.canon-europe.com/sustainability/approach/).

---

### Français

#### Union Européenne, Norvège, Islande et Liechtenstein uniquement.

Ce symbole indique que ce produit ne doit pas être jeté avec les ordures ménagères, conformément à la directive DEEE (2012/19/UE) et à la réglementation de votre pays. Ce produit doit être confié au distributeur à chaque fois que vous achetez un produit neuf similaire, ou à un point de collecte mis en place par les collectivités locales pour le recyclage des Déchets des Équipements Électriques et Électroniques (DEEE). Le traitement inapproprié de ce type de déchet risque d'avoir des répercussions sur l'environnement et la santé humaine, du fait de la présence de substances potentiellement dangereuses généralement associées aux équipements électriques et électroniques. Parallèlement, votre entière coopération dans le cadre de la mise au rebut correcte de ce produit favorisera une meilleure utilisation des ressources naturelles. Pour plus d'informations sur les points de collecte des équipements à recycler, contactez vos services municipaux, les autorités locales compétentes, le plan DEEE approuvé ou le service d'enlèvement des

---

ordures ménagères. Pour plus d'informations sur le retour et le recyclage des produits DEEE, consultez le site: [www.canon-europe.com/sustainability/approach/](http://www.canon-europe.com/sustainability/approach/).

---

## Deutsch

### Nur für Europäische Union und EWR (Norwegen, Island und Liechtenstein)

Dieses Symbol weist darauf hin, dass dieses Produkt gemäß der EU-Richtlinie über Elektro- und Elektronik-Altgeräte (2012/19/EU) und nationalen Gesetzen nicht über den Hausmüll entsorgt werden darf. Dieses Produkt muss bei einer dafür vorgesehenen Sammelstelle abgegeben werden. Dies kann z. B. durch Rückgabe beim Kauf eines ähnlichen Produkts oder durch Abgabe bei einer autorisierten Sammelstelle für die Wiederaufbereitung von Elektro- und Elektronik-Altgeräten geschehen. Der unsachgemäße Umgang mit Altgeräten kann aufgrund potentiell gefährlicher Stoffe, die generell mit Elektro- und Elektronik-Altgeräten in Verbindung stehen, negative Auswirkungen auf die Umwelt und die menschliche Gesundheit haben. Durch die umweltgerechte Entsorgung dieses Produkts tragen Sie außerdem zu einer effektiven Nutzung natürlicher Ressourcen bei. Informationen zu Sammelstellen für Altgeräte erhalten Sie bei Ihrer Stadtverwaltung, dem öffentlich-rechtlichen Entsorgungsträger, einer autorisierten Stelle für die Entsorgung von Elektro- und Elektronik-Altgeräten oder Ihrem örtlichen Entsorgungsunternehmen. Weitere Informationen zur Rückgabe und Entsorgung von Elektro- und Elektronik-Altgeräten finden Sie unter [www.canon-europe.com/sustainability/approach/](http://www.canon-europe.com/sustainability/approach/).

### Zusatzinformationen für Deutschland:

Dieses Produkt kann durch Rückgabe an den Händler unter den in der Verordnung des Elektro- und Elektronikgerätegesetzes beschriebenen Bedingungen abgegeben werden.

Als Endbenutzer und Besitzer von Elektro- oder Elektronikgeräten sind Sie verpflichtet:

- diese einer vom unsortierten Siedlungsabfall getrennten Erfassung zuzuführen,

- Altbatterien und Altakkumulatoren, die nicht von Altgerät umschlossen sind, sowie Lampen, die zerstörungsfrei aus dem Altgerät entnommen werden können, vor der Abgabe an einer Erfassungsstelle vom Altgerät zerstörungsfrei zu trennen,
- personenbezogener Daten auf den Altgeräten vor der Entsorgung zu löschen.

Die Bedeutung von dem Symbol der durchgestrichenen Abfalltonne auf Rädern finden Sie oben in dieser Beschreibung.

Die Vertreiber von Elektro- oder Elektronikgeräten haben die Pflicht zur unentgeltlichen Rücknahme von Altgeräten. Die Vertreiber haben die Endnutzer über die von ihnen geschaffenen Möglichkeiten der Rückgabe von Altgeräten zu informieren.

---

## Italiano

### Solo per Unione Europea e SEE (Norvegia, Islanda e Liechtenstein)

Questo simbolo indica che il prodotto deve essere oggetto di raccolta separata in conformità alla Direttiva RAEE (2012/19/UE) e alla normativa locale vigente. Il prodotto deve essere smaltito presso un centro di raccolta differenziata, un distributore autorizzato che applichi il principio dell'"uno contro uno", ovvero del ritiro della vecchia apparecchiatura elettrica al momento dell'acquisto di una nuova, o un impianto autorizzato al riciclaggio dei rifiuti di apparecchiature elettriche ed elettroniche. La gestione impropria di questo tipo di rifiuti può avere un impatto negativo sull'ambiente e sulla salute umana causato dalle sostanze potenzialmente pericolose che potrebbero essere contenute nelle apparecchiature elettriche ed elettroniche. Un corretto smaltimento di tali prodotti contribuirà inoltre a un uso efficace delle risorse naturali ed eviterà di incorrere nelle sanzioni amministrative di cui all'art. 255 e successivi del Decreto Legislativo n. 152/06. Per ulteriori informazioni sullo smaltimento e il recupero dei Rifiuti di Apparecchiature Elettriche ed Elettroniche, consultare la Direttiva RAEE, rivolgersi alle autorità competenti, oppure visitare il sito [www.canon-europe.com/sustainability/approach/](http://www.canon-europe.com/sustainability/approach/).

---

## Español

### Sólo para la Unión Europea y el Área Económica Europea (Noruega, Islandia y Liechtenstein)

Este símbolo indica que este producto no debe desecharse con los desperdicios domésticos, de acuerdo con la directiva RAEE (2012/19/UE) y con la legislación nacional. Este producto debe entregarse en uno de los puntos de recogida designados, como por ejemplo, entregándolo en el lugar de venta al comprar un producto similar o depositándolo en un lugar de recogida autorizado para el reciclado de residuos de aparatos eléctricos y electrónicos (RAEE). La manipulación inapropiada de este tipo de desechos podría tener un impacto negativo en el entorno y la salud humana, debido a las sustancias potencialmente peligrosas que normalmente están asociadas con los RAEE. Al mismo tiempo, su cooperación a la hora de desechar correctamente este producto contribuirá a la utilización eficaz de los recursos naturales. Para más información sobre cómo puede eliminar el equipo para su reciclado, póngase en contacto con las autoridades locales, con las autoridades encargadas de los desechos, con un sistema de gestión RAEE autorizado o con el servicio de recogida de basuras doméstico. Si desea más información acerca de la devolución y reciclado de RAEE, visite la web [www.canon-europe.com/sustainability/approach/](http://www.canon-europe.com/sustainability/approach/).

---

## Nederlands

### Uitsluitend bestemd voor de Europese Unie en EER (Noorwegen, IJsland en Liechtenstein)

Dit symbool geeft aan dat dit product in overeenstemming met de AEEA-richtlijn (2012/19/EU) en de nationale wetgeving niet mag worden afgevoerd met het huishoudelijk afval. Dit product moet worden ingeleverd bij een aangewezen, geautoriseerd inzamelpunt, bijvoorbeeld wanneer u een nieuw gelijksoortig product aanschaft, of bij een geautoriseerd inzamelpunt voor hergebruik van elektrische en elektronische apparatuur (EEA). Een onjuiste afvoer van dit type afval kan leiden tot negatieve effecten op het milieu en de volksgezondheid als gevolg van potentieel gevaarlijke stoffen die veel voorkomen in elektrische en elektronische apparatuur (EEA). Bovendien werkt u door een juiste afvoer van dit product mee aan het effectieve gebruik

van natuurlijke hulpbronnen. Voor meer informatie over waar u uw afgedankte apparatuur kunt inleveren voor recycling kunt u contact opnemen met het gemeentehuis in uw woonplaats, de reinigingsdienst, of het afvalverwerkingsbedrijf. U kunt ook het schema voor de afvoer van afgedankte elektrische en elektronische apparatuur (AEEA) raadplegen. Ga voor meer informatie over het inzamelen en recyclen van afgedankte elektrische en elektronische apparatuur naar [www.canon-europe.com/sustainability/approach/](http://www.canon-europe.com/sustainability/approach/).

---

## Dansk

### Gælder kun i Europæiske Union og EØS (Norge, Island og Liechtenstein)

Dette symbol angiver, at det pågældende produkt ikke må bortskaffes sammen med dagrenovation jf. direktivet om affald af elektrisk og elektronisk udstyr (WEEE) (2012/19/EU) og gældende national lovgivning. Det pågældende produkt skal afleveres på et nærmere specificeret indsamlingssted, f.eks. i overensstemmelse med en godkendt én-til-én-procedure, når du indkøber et nyt tilsvarende produkt, eller produktet skal afleveres på et godkendt indsamlingssted for elektronikaffald. Forkert håndtering af denne type affald kan medføre negative konsekvenser for miljøet og menneskers helbred på grund af de potentielt sundhedsskadelige stoffer, der generelt kan forefindes i elektrisk og elektronisk udstyr. Når du foretager korrekt bortskaffelse af det pågældende produkt, bidrager du til effektiv brug af naturressourcerne. Yderligere oplysninger om, hvor du kan bortskaffe dit elektronikaffald med henblik på genanvendelse, får du hos de kommunale renovationsmyndigheder. Yderligere oplysninger om returnering og genanvendelse af affald af elektrisk og elektronisk udstyr får du ved at besøge [www.canon-europe.com/sustainability/approach/](http://www.canon-europe.com/sustainability/approach/).

---

## Norsk

### Gjelder kun den europeiske union og EØS (Norge, Island og Liechtenstein)

Dette symbolet indikerer at dette produktet ikke skal kastes sammen med husholdningsavfall, i henhold til WEEE-direktiv (2012/19/EU) og nasjonal lov. Produktet må leveres til et dertil egnet innsamlingspunkt,

---

det vil si på en autorisert en-til-en-basis når du kjøper et nytt lignende produkt, eller til et autorisert innsamlingssted for resirkulering av avfall fra elektrisk og elektronisk utstyr (EE-utstyr). Feil håndtering av denne typen avfall kan være miljø- og helseskadelig på grunn av potensielt skadelige stoffer som ofte brukes i EE-utstyr. Samtidig bidrar din innsats for korrekt avhending av produktet til effektiv bruk av naturressurser. Du kan få mer informasjon om hvor du kan avhende utrangert utstyr til resirkulering ved å kontakte lokale myndigheter, et godkjent WEEE-program eller husholdningens renovasjonsselskap. Du finner mer informasjon om retur og resirkulering av WEEE-produkter på [www.canon-europe.com/sustainability/approach/](http://www.canon-europe.com/sustainability/approach/).

---

## Suomi

### Vain Euroopan unionin sekä ETA:n (Norja, Islanti ja Liechtenstein) alueelle.

Tämä tunnus osoittaa, että sähkö- ja elektroniikkalaiteromia koskeva direktiivi (SER-direktiivi, 2012/19/EU) sekä kansallinen lainsäädäntö kieltävät tuotteen hävittämisen talousjätteen mukana. Tuote on vietävä asianmukaiseen keräyspisteeseen, esimerkiksi kodinkoneliikkeeseen uutta vastaavaa tuotetta ostettaessa tai viralliseen sähkö- ja elektroniikkalaiteromun keräyspisteeseen. Sähkö- ja elektroniikkalaiteromun virheellinen käsittely voi vahingoittaa ympäristöä ja ihmisten terveyttä, koska laitteet saattavat sisältää ympäristölle ja terveydelle haitallisia aineita. Lisäksi tuotteen asianmukainen hävittäminen säästää luonnonvaroja. Lisätietoja sähkö- ja elektroniikkalaiteromun keräyspisteistä saat kaupunkien ja kuntien tiedotuksesta, jätehuoltoviranomaisilta, sähkö- ja elektroniikkalaiteromun kierrätysjärjestelmän ylläpitäjältä ja jätehuoltoyhtiöltä. Lisätietoja sähkö- ja elektroniikkalaiteromun keräyksestä ja kierrätyksestä on osoitteessa [www.canon-europe.com/sustainability/approach/](http://www.canon-europe.com/sustainability/approach/).

---

## Svenska

### Endast för Europeiska unionen och EES (Norge, Island och Liechtenstein)

Den här symbolen visar att produkten enligt WEEE-direktivet (2012/19/EU) och nationell lagstiftning inte får sorteras och slängas som hushållsavfall. Den här produkten ska lämnas in på en därför avsedd samlingsplats, t.ex. på en återvinningsstation auktoriserad att hantera elektrisk och elektronisk utrustning (EE-utrustning) eller hos handlare som är auktoriserade att byta in varor då nya, motsvarande köps (en mot en). Olämplig hantering av avfall av den här typen kan ha en negativ inverkan på miljön och människors hälsa på grund av de potentiellt farliga ämnen som kan återfinnas i elektrisk och elektronisk utrustning. Din medverkan till en korrekt avfallshantering av den här produkten bidrar dessutom till en effektiv användning av naturresurserna. Kontakta ditt lokala kommunkontor, berörd myndighet, företag för avfallshantering eller ta del av en godkänd WEEE-organisation om du vill ha mer information om var du kan lämna den kasserade produkten för återvinning. För mer information om inlämning och återvinning av WEEE-produkter, se [www.canon-europe.com/sustainability/approach/](http://www.canon-europe.com/sustainability/approach/).

---

## Português

### Apenas para a União Europeia e AEE (Noruega, Islândia e Liechtenstein)

Este símbolo indica que o produto não deve ser colocado no lixo doméstico, de acordo com a Diretiva REEE (2012/19/UE) e a legislação nacional. Este produto deverá ser colocado num ponto de recolha designado, por exemplo, num local próprio autorizado quando adquirir um produto semelhante novo ou num local de recolha autorizado para reciclar resíduos de equipamentos eléctricos e electrónicos (EEE). O tratamento inadequado deste tipo de resíduo poderá causar um impacto negativo no ambiente e na saúde humana devido às substâncias potencialmente perigosas normalmente associadas aos equipamentos eléctricos e electrónicos. Simultaneamente, a sua cooperação no tratamento correto deste produto contribuirá para a utilização eficaz dos recursos naturais. Para mais informações sobre os locais onde o equipamento poderá

---

ser reciclado, contacte os serviços locais, a autoridade responsável pelos resíduos, o esquema REEE aprovado ou o serviço de tratamento de lixo doméstico. Para mais informações sobre a devolução e reciclagem de produtos REEE, vá a [www.canon-europe.com/sustainability/approach/](http://www.canon-europe.com/sustainability/approach/).

---

## Česká

### Pouze Evropská unie a EHP (Norsko, Island a Lichtenštejnsko)

Tento symbol znamená, že podle směrnice o OEEZ (2012/19/EU) a podle vnitrostátních právních předpisů nemá být tento výrobek likvidován s odpadem z domácností. Tento výrobek má být vrácen do sběrného místa, např. v rámci autorizovaného systému odběru jednoho výrobku za jeden nově prodaný podobný výrobek nebo v autorizovaném sběrném místě pro recyklaci odpadních elektrických a elektronických zařízení (OEEZ). Nevhodné nakládání s tímto druhem odpadu by mohlo mít negativní dopad na životní prostředí a lidské zdraví, protože elektrická a elektronická zařízení zpravidla obsahují potenciálně nebezpečné látky. Vaše spolupráce na správné likvidaci tohoto výrobku současně napomůže efektivnímu využívání přírodních zdrojů. Další informace o místech sběru vašeho odpadního zařízení k recyklaci vám sdělí místní úřad vaší obce, správní orgán vykonávající dozor nad likvidací odpadu, sběrný OEEZ nebo služba pro odvoz komunálního odpadu. Další informace týkající se vrácení a recyklace OEEZ naleznete na adrese [www.canon-europe.com/sustainability/approach/](http://www.canon-europe.com/sustainability/approach/).

---

## Ελληνικά

### Μόνο για την Ευρωπαϊκή Ένωση και τον ΕΟΧ (Νορβηγία, Ισλανδία και Λιχτενστάιν)

Αυτό το σύμβολο υποδηλώνει ότι αυτό το προϊόν δεν πρέπει να απορρίπτεται μαζί με τα οικιακά απορρίμματα, σύμφωνα με την Οδηγία σχετικά με τα Απόβλητα Ηλεκτρικού και Ηλεκτρονικού Εξοπλισμού (ΑΗΗΕ) (2012/19/ΕΕ) και την εθνική σας νομοθεσία. Αυτό το προϊόν πρέπει να παραδίδεται σε καθορισμένο σημείο συλλογής, π.χ. σε μια εξουσιοδοτημένη βάση ανταλλαγής όταν αγοράζετε ένα νέο παρόμοιο προϊόν ή σε μια εξουσιοδοτημένη θέση

συλλογής για την ανακύκλωση των αποβλήτων Ηλεκτρικού και Ηλεκτρονικού Εξοπλισμού (ΗΗΕ). Ο ακατάλληλος χειρισμός αυτού του τύπου αποβλήτων μπορεί να έχει αρνητικό αντίκτυπο στο περιβάλλον και την υγεία του ανθρώπου, λόγω δυνητικών επικίνδυνων ουσιών που γενικά συνδέονται με τον ΗΗΕ. Ταυτόχρονα, η συνεργασία σας όσον αφορά τη σωστή απόρριψη αυτού του προϊόντος θα συμβάλει στην αποτελεσματική χρήση των φυσικών πόρων. Για περισσότερες πληροφορίες σχετικά με τα σημεία όπου μπορείτε να απορρίψετε τον εξοπλισμό σας για ανακύκλωση, επικοινωνήστε με το τοπικό γραφείο της πώλης σας, την υπηρεσία απορριμμάτων, το εγκεκριμένο σχήμα ΑΗΗΕ ή την υπηρεσία απόρριψης οικιακών αποβλήτων. Για περισσότερες πληροφορίες σχετικά με την επιστροφή και την ανακύκλωση των προϊόντων ΑΗΗΕ, επισκεφθείτε την τοποθεσία [www.canon-europe.com/sustainability/approach/](http://www.canon-europe.com/sustainability/approach/).

---

## Polski

### Tylko dla krajów Unii Europejskiej oraz EOG (Norwegia, Islandia i Liechtenstein)

Ten symbol oznacza, że zgodnie z dyrektywą WEEE dotyczącą zużytego sprzętu elektrycznego i elektronicznego (2012/19/UE) oraz przepisami lokalnymi nie należy wyrzucać tego produktu razem z odpadami gospodarstwa domowego. Produkt należy przekazać do wyznaczonego punktu gromadzenia odpadów, np. firmie, od której kupowany jest nowy, podobny produkt lub do autoryzowanego punktu gromadzenia zużytego sprzętu elektrycznego i elektronicznego w celu poddania go recyklingowi. Usuwanie tego typu odpadów w nieodpowiedni sposób może mieć negatywny wpływ na otoczenie i zdrowie innych osób ze względu na niebezpieczne substancje stosowane w takim sprzęcie. Jednocześnie pozbycie się zużytego sprzętu w zalecany sposób przyczynia się do właściwego wykorzystania zasobów naturalnych. Aby uzyskać więcej informacji na temat punktów, do których można dostarczyć sprzęt do recyklingu, prosimy skontaktować się z lokalnym urzędem miasta, zakładem utylizacji odpadów, skorzystać z instrukcji zatwierdzonej dyrektywą WEEE lub skontaktować się z przedsiębiorstwem zajmującym się wywozem odpadów domowych. Więcej informacji o zwracaniu i recyklingu zużytego sprzętu elektrycznego i elektronicznego znajduje się w witrynie [www.canon-europe.com/sustainability/approach/](http://www.canon-europe.com/sustainability/approach/).

---

## Magyar

### Csak az Európai Unió és az EGT (Norvégia, Izland és Liechtenstein) országában

Ez a szimbólum azt jelzi, hogy a helyi törvények és a WEEE-irányelv (2012/19/EU) szerint a termék nem kezelhető háztartási hulladékként. A terméket a kijelölt nyilvános gyűjtőpontokon kell leadni, például hasonló cserekészülék vásárlásakor, illetve bármelyik, elektromos és elektronikai berendezésekből származó hulladék (WEEE) átvételére feljogosított gyűjtőponton. Az ilyen jellegű hulladékok a nem megfelelő kezelés esetén a bennük található veszélyes anyagok révén ártalmasak lehetnek a környezetre és az emberek egészségére. Továbbá, a termékből származó hulladék megfelelő kezelésével hozzájárulhat a természetes nyersanyagok hatékonyabb hasznosításához. A berendezésekből származó, újrahasznosítható hulladékok elhelyezésére vonatkozó további tudnivalóért forduljon a helyi önkormányzathoz, a közterület-fenntartó vállalatához, a háztartási hulladék begyűjtését végző vállalatához, illetve a hivatalos WEEE-képviselethez. További tudnivalókat a WEEE-termékek visszajuttatásáról és újrahasznosításáról a [www.canon-europe.com/sustainability/approach/](http://www.canon-europe.com/sustainability/approach/).

---

## Slovenský

### Platí len pre štáty Európskej únie a EHP (Nórsko, Island a Lichtenštajnsko)

Tento symbol znamená, že podľa Smernice 2012/19/EÚ o odpade z elektrických a elektronických zariadení (OEEZ) a podľa platnej legislatívy Slovenskej republiky sa tento produkt nesmie likvidovať spolu s komunálnym odpadom. Produkt je potrebné odovzdať do určenej zberne, napr. prostredníctvom výmeny za kúpu nového podobného produktu, alebo na autorizované zberné miesto, ktoré spracúva odpad z elektrických a elektronických zariadení (EEZ). Nesprávna manipulácia s takýmto typom odpadu môže mať negatívny vplyv na životné prostredie a ľudské zdravie, pretože elektrické a elektronické zariadenia obsahujú potenciálne nebezpečné látky. Spoluprácou na správnej likvidácii produktu prispějete k účinnému využívaniu prírodných zdrojov.

Ďalšie informácie o mieste recyklácie opotrebovaných zariadení získate od miestneho úradu, úradu životného prostredia, zo schváleného plánu OEEZ alebo od spoločnosti, ktorá zaisťuje likvidáciu komunálneho odpadu. Viac informácií nájdete aj na webovej stránke: [www.canon-europe.com/sustainability/approach/](http://www.canon-europe.com/sustainability/approach/).

---

## български

### Само за Европейския съюз и ЕИП (Норвегия, Исландия и Лихтенщайн)

Този символ показва, че този продукт не трябва да се изхвърля заедно с битовите отпадъци, съгласно Директивата за ИУЕЕО (2012/19/ЕС) и Вашето национално законодателство. Този продукт трябва да бъде предаден в предназначен за целта пункт за събиране, например на база размяна, когато купувате нов подобен продукт, или в одобрен събирателен пункт за рециклиране на излязло от употреба електрическо и електронно оборудване (ИУЕЕО). Неправилното третиране на този тип отпадъци може да доведе до евентуални отрицателни последици за околната среда и човешкото здраве поради потенциално опасните вещества, които обикновено са свързани с ЕЕО. В същото време Вашето съдействие за правилното изхвърляне на този продукт ще допринесе за ефективното използване на природните ресурси. Повече информация относно местата, където може да предавате излязло от употреба оборудване за рециклиране, може да получите от местните власти, от органа, отговорен за отпадъците и от одобрена система за излязло от употреба ЕЕО или от Вашата местна служба за битови отпадъци. За повече информация относно връщането и рециклирането на продукти от излязло от употреба ЕЕО посетете [www.canon-europe.com/sustainability/approach/](http://www.canon-europe.com/sustainability/approach/).

---

## Română

### Doar pentru Uniunea Europeană și EEA (Norvegia, Islanda și Liechtenstein)

Acest simbol indică faptul că acest produs nu trebuie aruncat o dată cu reziduurile menajere, în conformitate cu Directiva DEEE (Directiva privind deșeurile de echipamente electrice și electronice) (2012/19/



UE) și legile naționale. Acest produs trebuie transportat la un punct de colectare special, de exemplu un centru care preia produsele vechi atunci când achiziționați un produs nou similar, sau la un punct de colectare autorizat pentru reciclarea deșeurilor provenite de la echipamentele electrice și electronice (EEE). Mânuierea necorespunzătoare a acestor tipuri de deșeuri poate avea un impact negativ asupra mediului înconjurător și sănătății indivizilor, din cauza substanțelor potențial nocive care sunt în general asociate cu EEE. În același timp, cooperarea dvs. la reciclarea corectă a acestui produs va contribui la utilizarea efektivă a resurselor naturale. Pentru mai multe informații privind locurile de reciclare a deșeurilor provenite de la echipamente, contactați biroul primăriei locale, autoritatea responsabilă cu colectarea deșeurilor, schema DEEE aprobată sau serviciul de colectare a deșeurilor menajere. Pentru mai multe informații privind returnarea și reciclarea produselor DEEE, vizitați [www.canon-europe.com/sustainability/approach/](http://www.canon-europe.com/sustainability/approach/).

## Slovenčina

### Samo za Evropsko unijo in EGP (Norveška, Islandija in Lihtenštajn)

Ta simbol pomeni, da tega izdelka v skladu z direktivo OEEO (2012/19/EU) in državno zakonodajo ne smete odvreči v gospodinjske odpadke. Ta izdelek morate odložiti na ustrezno zbiralno mesto, na primer pri pooblaščenem prodajalcu, ko kupite podoben nov izdelek ali na zbiralno mesto za recikliranje električne in elektronske opreme. Neprimerno ravnanje s takšnimi odpadki lahko negativno vpliva na okolje in človekovo zdravje zaradi nevarnih snovi, ki so povezane z električno in elektronsko opremo. S pravilno odstranitvijo izdelka hkrati prispevate tudi k učinkoviti porabi naravnih virov. Če želite več informacij o tem, kje lahko odložite odpadno opremo za recikliranje, pokličite občinski urad, komunalno podjetje ali službo, ki skrbi za odstranjevanje odpadkov, ali si oglejte načrt OEEO. Če želite več informacij o vračanju in recikliranju izdelkov v skladu z direktivo OEEO, obiščite [www.canon-europe.com/sustainability/approach/](http://www.canon-europe.com/sustainability/approach/).

## Hrvatski

### Samo za Europsku uniju i EEA (Norveška, Island i Lihtenštajn)

Ovaj simbol pokazuje da se ovaj proizvod ne smije odlagati s komunalnim i ostalim otpadom sukladno WEEE Direktivi (2012/19/EC) i Pravilniku o gospodarenju otpadnim električnim i elektroničkim uređajima i opremom. Ovaj proizvod je potrebno predati ovlaštenom skupljaču EE otpada ili prodavatelju koji je dužan preuzeti otpadni proizvod po sistemu jedan za jedan, ukoliko isti odgovara vrsti te je obavljao primarne funkcije kao i isporučena EE oprema. Nepropisno rukovanje ovom vrstom otpada može imati negativan učinak na okolinu i zdravlje ljudi zbog supstanci koje su potencijalno opasne za zdravlje, a općenito se povezuju s EEE. Istovremeno, vaša će suradnja kroz propisno odlaganje ovog proizvoda doprinijeti učinkovitoj uporabi prirodnih resursa. Za više informacija o tome gdje možete odložiti svoj otpad za recikliranje obratite se vašem lokalnom gradskom uredu, komunalnoj službi, odobrenom WEEE programu ili službi za odlaganje kućnog otpada. Ostale informacije o vraćanju i recikliranju WEEE proizvoda potražite na [www.canon-europe.com/sustainability/approach/](http://www.canon-europe.com/sustainability/approach/).

## Català

### Només per a la Unió Europea i a l'Espai Econòmic Europeu (Noruega, Islàndia i Liechtenstein)

Aquest símbol indica que aquest producte no s'ha de llençar a les escombraries de la llar, d'acord amb la Directiva RAEE (2012/19/UE) i la legislació nacional. Aquest producte s'hauria de lliurar en un dels punts de recollida designats, com per exemple, intercanviant-lo un per un en comprar un producte similar o lliurant-lo en un lloc de recollida autoritzat per al reciclatge de residus d'aparells elèctrics i electrònics (AEE). La manipulació inadequada d'aquest tipus de residus podria tenir un impacte negatiu en l'entorn i en la salut humana, a causa de les substàncies potencialment perilloses que normalment estan associades als AEE. Així mateix, la vostra cooperació a l'hora de llençar correctament aquest producte contribuirà a la utilització efectiva dels recursos naturals. Per a més informació sobre els punts on podeu lliurar aquest producte per procedir al seu reciclatge,

---

adreceu-vos a la vostra oficina municipal, a les autoritats encarregades dels residus, al pla de residus homologat per la RAEE o al servei de recollida de deixalles domèstiques de la vostra localitat. Per a més informació sobre la devolució i el reciclatge de productes RAEE, visiteu [www.canon-europe.com/sustainability/approach/](http://www.canon-europe.com/sustainability/approach/).

---

## Eesti

### Üksnes Euroopa Liit ja EMP (Norra, Island ja Liechtenstein)

See sümbol näitab, et antud toodet ei tohi vastavalt elektri- ja elektroonikaseadmete jäätmeid käsitlevale direktiivile (2012/19/EL) ning teie riigis kehtivatele õigusaktidele utiliseerida koos olmejäätmetega. Antud toode tuleb anda selleks määratud kogumispunkti, nt müügipunkt, mis on volitatud üks ühe vastu vahetama, kui ostate uue sarnase toote, või elektri- ja elektroonikaseadmete jäätmete ümbertöötlemiseks mõeldud kogumispunkti. Täiendava teabe saamiseks elektri- ja elektroonikaseadmetest tekkinud jäätmete tagastamise ja ümbertöötlemise kohta võtke ühendust kohaliku omavalitsusega, asjakohase valitsusasutusega, asjakohase tootjavastutusorganisatsiooniga või olmejäätmete käitlejaga. Lisateavet leiate ka Interneti-leheküljelt [www.canon-europe.com/sustainability/approach/](http://www.canon-europe.com/sustainability/approach/).

---

## Latviešu

### Tikai Eiropas Savienībai un EEZ (Norvēģijai, Islandei un Lihtenšteinai)

Šis simbols norāda, ka atbilstoši ES Direktīvai (2012/19/ES) par elektrisko un elektronisko iekārtu atkritumiem (EEIA) un vietējiem tiesību aktiem no šī izstrādājuma nedrīkst atbrīvoties, izmetot to kopā ar sadzīves atkritumiem. Šis izstrādājums ir jānodod piemērotā savākšanas vietā, piemēram, apstiprinātā veikalā, kur iegādājaties līdzīgu jaunu produktu un atstājat veco, vai apstiprinātā vietā izlietotu elektrisko un elektronisko iekārtu pārstrādei. Nepareiza šāda veida atkritumu apsaimniekošana var apdraudēt vidi un cilvēka veselību tādu iespējami bīstamu vielu dēļ, kas parasti ir elektriskajās un elektroniskajās iekārtās. Turklāt jūsu atbalsts pareizā šāda veida

atkritumu apsaimniekošanā sekmēs efektīvu dabas resursu izmantošanu. Lai saņemtu pilnīgāku informāciju par vietām, kur izlietoto iekārtu var nodot pārstrādei, sazinieties ar vietējo pašvaldību, atkritumu savākšanas atbildīgo dienestu, pilnvarotu EEIA struktūru vai sadzīves atkritumu apsaimniekošanas iestādi. Lai saņemtu plašāku informāciju par elektrisko un elektronisko iekārtu nodošanu pārstrādei, apmeklējiet tīmekļa vietni [www.canon-europe.com/sustainability/approach/](http://www.canon-europe.com/sustainability/approach/).

---

## Lietuvių

### Tik Europos Sąjungai ir EEE (Norvegijai, Islandijai ir Lichtenšteinui)

Šis ženklas reiškia, kad gaminio negalima išmesti su buitinėmis atliekomis, kaip yra nustatyta Direktyvoje (2012/19/ES) ir nacionaliniuose teisė aktuose dėl EEJ atliekų tvarkymo. Šį gaminį reikia atiduoti į tam skirtą surinkimo punktą, pvz., pagal patvirtintą keitimo sistemą, kai perkamas panašus gaminytis, arba į elektros ir elektroninės įrangos (EEJ) atliekų perdirbimo punktą. Netinkamas tokios rūšies atliekų tvarkymas dėl elektros ir elektroninėje įrangoje esančių pavojingų medžiagų gali pakenkti aplinkai ir žmonių sveikatai. Padėdami užtikrinti tinkamą šio gaminio šalinimo tvarką, kartu prisidėsite prie veiksmingo gamtos išteklių naudojimo. Jei reikia daugiau informacijos, kaip šalinti tokias atliekas, kad jos būtų toliau perdirbamos, kreipkitės į savo miesto valdžios institucijas, atliekų tvarkymo organizacijas, patvirtintų EEJ atliekų sistemų arba jūsų buitinių atliekų tvarkymo įstaigų atstovus. Išsamesnės informacijos apie EEJ atliekų gražinimo ir perdirbimo tvarką galite rasti apsilankę tinklalapyje [www.canon-europe.com/sustainability/approach/](http://www.canon-europe.com/sustainability/approach/).

---

## Srpski

Ovaj simbol označava da ovaj proizvod ne sme da se odlaže sa ostalim kućnim otpadom, u skladu sa WEEE Direktivom (2012/19/EU) i nacionalnim zakonima. Ovaj proizvod treba predati određenom centru za prikupljanje, npr. na osnovi "jedan-za-jedan" kada kupujete sličan novi proizvod, ili ovlašćenom centru za prikupljanje za reciklažu istrošene električne i elektronske opreme (EEE). Nepravilno rukovanje ovom vrstom otpada može da ima moguće negativne posledice po životnu sredinu i ljudsko zdravlje usled potencijalno

---

opasnih materijala koji se uglavnom vezuju za EEE. U isto vreme, vaša saradnja na ispravnom odlaganju ovog proizvoda će doprineti efikasnom korišćenju prirodnih resursa. Za više informacija o tome gde možete da predate vašu staru opremu radi recikliranja, vas molimo, da kontaktirate lokalne gradske vlasti, komunalne službe, odobreni plan reciklaže ili Gradsku čistoću. Za više informacija o vraćanju i recikliranju WEEE proizvoda, posetite stranicu [www.canon-europe.com/sustainability/approach/](http://www.canon-europe.com/sustainability/approach/).

---

## Српски

Ovaj simbol označava da ovaj proizvod ne sme da se odlaže sa ostalim kućnim otpadom, u skladu sa WEEE Direktivom (2012/19/EU) i nacionalnim zakonima. Ovaj proizvod treba predati određenom centru za prikupljanje, npr. na osnovi "staro za novo" kada kupujete sličan novi proizvod, ili ovlašćenom centru za reciklažu istrošene električne i elektronske opreme (EEE). Nepravilno rukovanje ovom vrstom otpada može da ima moguće negativne uticaje po životnu sredinu i ljudsko zdravlje usled potencijalno opasnih materijala koje se uglavnom vezuju za EEE. U isto vreme, vaša saradnja na ispravnom odlaganju ovog proizvoda će doprineti efikasnom korišćenju prirodnih resursa. Za više informacija o tome gde možete da predate vašu staru opremu radi recikliranja, molimo Vas da kontaktirate lokalne gradske vlasti, komunalne službe, odobreni plan reciklaže ili Gradsku čistoću. Za više informacija o vraćanju i recikliranju WEEE proizvoda, posetite stranicu [www.canon-europe.com/sustainability/approach/](http://www.canon-europe.com/sustainability/approach/).

## Safety-related markings on the machine

### Marquages de sécurité sur la machine

### Marcatore di sicurezza sulla macchina

### Sicherheitshinweise auf der Maschine

### Marcas de la máquina relacionadas con la seguridad

### Veiligheidsmarkeringen op de machine

### Makine üzerindeki güvenlik işaretleri



[English]	Switch (On)	Power on
[Français]	Commutateur (Marche)	Sous tension
[Italiano]	Interruttore (On)	Alimentazione presente
[Deutsch]	Schalter (Ein)	Eingeschaltet
[Español]	Interruptor (encendido)	Máquina encendida
[Nederlands]	Schakelaar (On)	Aan
[Türkçe]	Anahtar (Açık)	Güç açık



[English]	Switch (Off)	Power off (no standby current)
[Français]	Commutateur (Arrêt)	Hors tension (pas de courant de veille)
[Italiano]	Interruttore (Off)	Alimentazione assente (nessuna corrente di standby)
[Deutsch]	Schalter (Aus)	Ausgeschaltet (ohne Ruhestromaufnahme)
[Español]	Interruptor (apagado)	Máquina apagada (sin corriente en espera)
[Nederlands]	Schakelaar (Off)	Uit (geen stand-byverbruik)
[Türkçe]	Anahtar (Kapalı)	Güç kapalı (bekleme akımı yok)



[English]	Switch (Standby)	Power on/off (standby current on)
[Français]	Commutateur (Veille)	Sous/hors tension (courant de veille activé)
[Italiano]	Interruttore (Standby)	Alimentazione on/off (corrente di standby presente)
[Deutsch]	Schalter (Standby)	Ein- und Ausschalten (mit Ruhestromaufnahme)
[Español]	Interruptor (en espera)	Máquina apagada/encendida (con corriente en espera)
[Nederlands]	Schakelaar (Standby)	Aan-uit (stand-byverbruik aan)
[Türkçe]	Anahtar (Bekleme)	Güç açık/kapalı (bekleme akımı açık)



[English]	Switch (Push-On/Push-Off)	Power on/off (no standby current)
[Français]	Commutateur (Appuyer pour mettre en marche/Appuyer pour arrêter)	Sous/hors tension (pas de courant de veille)
[Italiano]	Interruttore a pulsante bistabile (On/Off)	Alimentazione on/off (nessuna corrente di standby)
[Deutsch]	Schalter (Ein- und Ausschalten durch Drücken)	Ein- und Ausschalten (ohne Ruhestromaufnahme)
[Español]	Interruptor (pulsado para encendido/apagado)	Encendido/apagado (sin corriente en espera)
[Nederlands]	Schakelaar (Push-On/Push-Off)	Aan-uit (geen stand-byverbruik)
[Türkçe]	Anahtar (Bas-Aç/Bas-Kapa)	Güç açık/kapalı (bekleme akımı yok)



[English]	Heat hazard	Heat hazard
[Français]	Danger de chaleur	Danger de chaleur
[Italiano]	Pericolo: temperature elevate	Pericolo: temperature elevate
[Deutsch]	Überhitzungsgefahr	Überhitzungsgefahr
[Español]	Peligro de calentamiento	Peligro de calentamiento
[Nederlands]	Verbrandingsgevaar	Verbrandingsgevaar
[Türkçe]	Isı tehlikesi	Isı tehlikesi



[English]	Class II equipment	Indicates this is Class II equipment
[Français]	Équipement de classe II	Indique qu'il s'agit d'un équipement de classe II
[Italiano]	Apparecchio classe II	Indica che questo è un apparecchio di classe II
[Deutsch]	Gerät der Schutzklasse II	Gibt an, dass das Gerät der Schutzklasse II entspricht
[Español]	Equipo de clase II	Indica que se trata de un equipo de clase II
[Nederlands]	Klassell-apparatuur	Geeft aan dat deze apparatuur in Klasse II hoort
[Türkçe]	Sınıf II ekipman	Bunun Sınıf II ekipman olduğunu gösterir



[English]	DC symbol	Indicates direct current
[Français]	Symbole CC	Indique qu'il s'agit de courant continu
[Italiano]	Simbolo corrente continua (C.C.)	Indica la corrente continua
[Deutsch]	Gleichstrom-Symbol	Kennzeichnet Gleichstrom
[Español]	Símbolo CC	Indica corriente continua
[Nederlands]	DC-pictogram	Geeft gelijkstroom aan
[Türkçe]	DC sembolü	Düz akımı gösterir



[English]	DC polarity	Indicates the power plug polarity
[Français]	Polarité CC	Indique la polarité de la fiche d'alimentation
[Italiano]	Polarità C.C.	Indica la polarità dello spinotto di alimentazione
[Deutsch]	Gleichstrompolarität	Gibt die Polarität des Netzsteckers an
[Español]	Polaridad de CC	Indica la polaridad del conector de alimentación
[Nederlands]	DC-polariteit	Geeft de polariteit van de stekker aan
[Türkçe]	DC polaritesi	Fiş polaritesini gösterir



[English]	Electrostatic precaution	Avoid applying static electricity to the machine
[Français]	Précaution électrostatique	Évitez de soumettre cette machine à de l'électricité statique
[Italiano]	Protezione dalle cariche elettrostatiche	Evitare di applicare cariche elettrostatiche alla macchina
[Deutsch]	Warnung vor elektrostatischer Aufladung	Elektrostatische Aufladung der Maschine vermeiden
[Español]	Precaución electroestática	No aplique electricidad electroestática
[Nederlands]	Elektrostatische voorzorgen	Voorkom statische elektriciteit op de machine
[Türkçe]	Elektrostatik önlemleri	Makineye statik elektrik vermeyin



**CANON ELECTRONICS INC.**

3-5-10 SHIBAKOEN, MINATO-KU, TOKYO 105-0011, JAPAN

**CANON U.S.A. INC.**

ONE CANON PARK, MELVILLE, NY 11747, U.S.A.

**CANON CANADA INC.**

8000 Mississauga Road Brampton, Ontario L6Y 5Z7, CANADA

**CANON EUROPA N.V.**

BOVENKERKERWEG 59, 1185 XB AMSTELVEEN, THE NETHERLANDS

**CANON AUSTRALIA PTY. LTD.**

BUILDING A, THE PARK ESTATE, 5 TALAVERA ROAD, MACQUARIE PARK, NSW 2113, AUSTRALIA

**CANON SINGAPORE PTE. LTD.**

1 FUSIONPOLIS PLACE, #14-10, GALAXIS, SINGAPORE 138522

**CANON KOREA INC.**

607, TEHERAN-RO, GANGNAM-GU, SEOUL, KOREA

**CANON INDIA PVT. LTD**

7TH FLOOR, TOWER B DLF CYBER TERRACES DLF PHASE III GURGAON - 122002 HARYANA, INDIA