

CTE C750 TG ARGB

User's Manual
Benutzerhandbuch
Mode d'emploi
Manual del usuario
Manuale dell'utente
Manual do Utilizador

安裝說明書
用戶手冊
ユーザーズマニュアル
Руководство пользователя
kullanıcı elkitabı
(EEE Yönetmeliğine Uygun)
คู่มือการใส่



© 2023 Thermaltake Technology Co., Ltd. All Rights Reserved. 2023.03
All other registered trademarks belong to their respective companies. www.thermaltake.com



TT Premium



TT Premium

To continue achieving the corporate mission of delivering the perfect user experience, Thermaltake developed "TT Premium" with the essence of combining supreme quality products with a new logo design. TT Premium is far more than just a guarantee of quality. Behind the name, it represents the passion in DIY, Modding and Thermaltake's desire to be the most innovative brand in the PC hardware market. To satisfy the demand of the high-end PC users, TT Premium follows its core values of Excellent Quality, Unique Design, Diverse Combinations and Boundless Creativity to provide a high performance PC product for every enthusiast. <http://tppremium.com>

Tt LCS-Liquid Cooling Support Certification



Tt LCS Certified is a Thermaltake exclusive certification applied to only products that pass the design and hardcore enthusiasts standards that a true LCS chassis should be held to. The Tt LCS certification was created so that we at Thermaltake can designate to all power users which chassis have been tested to be best compatible with extreme liquid cooling configurations to ensure you get the best performance from the best features and fitment.

Join Tt Community To Receive Benefits



Dear Valued Customer,
Thank you for choosing Thermaltake.
As a new user we value your thoughts and opinions and your feedback is important to us. We at Thermaltake would like to use this opportunity to invite you to join our Community Forums. Register today to start enjoying the full benefits of our community.



Benefits of being a member:

- Quick and responsive user support
- Receive help and advice with new builds
- Keep up to date with new product releases
- Share your thoughts and builds with the community
- Enter monthly contests and giveaways

Brand official website
<http://www.thermaltake.com/>

Global Facebook
<https://www.facebook.com/ThermaltakeInc>

Taiwan Facebook
<http://www.facebook.com/ThermaltakeTW>

Global community forums
<http://community.thermaltake.com>

CONTENTS


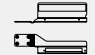

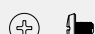

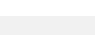


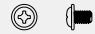

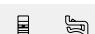
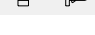
Chapter 1. Product Introduction

1.0	Specification	01
1.1	Accessory	02
1.2	Warning and Notice	03

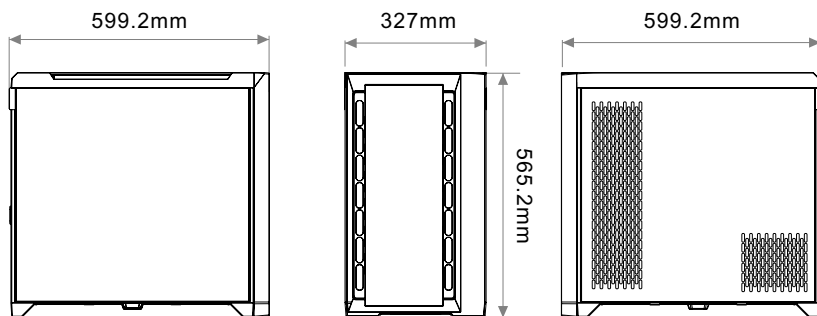
Chapter 2. Installation Guide

2.0	Remove Components	06
2.1	Power Supply Unit (PSU) Installation	07
2.2	Motherboard Installation	08
2.3	VGA Card Installation	09
2.4	3.5" & 2.5" HDD Installation	11
2.5	Liquid Cooling Installation	13
2.6	AIO Liquid Cooling Installation	15
2.7	Air Cooling Installation	16
2.8	I/O Connection	17
2.9	ARGB Control Instruction	17
2.10	Remove Filters	18

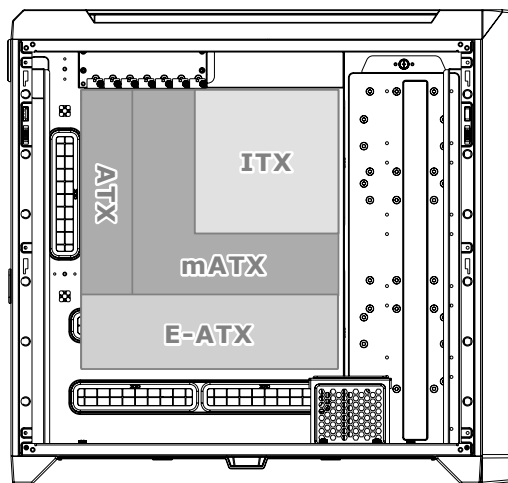
Case Type	Full Tower
Dimension (H*W*D)	565.2 x 327 x 599.2 mm (22.25 x 12.87 x 23.59 inch)
Side Panel	Tempered Glass x 1
Material	SPCC / ABS
Cooling System	Front (intake) : 140 x 140 x 25 mm CT140 ARGB fan (1500rpm, 30.5 dBA) x 1 Top (exhaust) : 140 x 140 x 25 mm CT140 ARGB fan (1500rpm, 30.5 dBA) x 1 Rear (intake) : 140 x 140 x 25 mm CT140 ARGB fan (1500rpm, 30.5 dBA) x 1
Drive Bays	7 x 3.5" or 12 x 2.5"
Expansion Slots	7
Motherboards	6.7" x 6.7" (Mini ITX), 9.6" x 9.6" (Micro ATX), 12" x 9.6" (ATX), 12" x 13" (E-ATX)
I/O Port	USB 3.2 (Gen 2) Type C x 1, USB 3.0 x 4, HD Audio x 1
PSU	Standard PS2 PSU (optional)
Fan Support	Front: 3 x 120mm, 2 x 120mm, 1 x 120mm 3 x 140mm, 2 x 140mm, 1 x 140mm 2 x 200mm, 1 x 200mm
	Top: 2 x 120mm, 1 x 120mm 2 x 140mm, 1 x 140mm
	Right (M/B Side): 3 x 120mm, 2 x 120mm, 1 x 120mm 3 x 140mm, 2 x 140mm, 1 x 140mm
	Rear: 3 x 120mm, 2 x 120mm, 1 x 120mm 3 x 140mm, 2 x 140mm, 1 x 140mm 2 x 200mm, 1 x 200mm
	Bottom: 3 x 120mm, 2 x 120mm, 1 x 120mm 3 x 140mm, 2 x 140mm, 1 x 140mm
Radiator Support	Front: 1 x 360mm, 1 x 240mm, 1 x 120mm 1 x 420mm(AIO only), 1 x 280mm, 1 x 140mm
	Top: 1 x 240mm, 1 x 120mm 1 x 140mm
	Right (M/B Side): 1 x 360mm, 1 x 240mm, 1 x 120mm 1 x 420mm(AIO only), 1 x 280mm, 1 x 140mm
	Rear: 1 x 360mm, 1 x 240mm, 1 x 120mm 1 x 420mm(AIO only), 1 x 280mm, 1 x 140mm
	Bottom: 1 x 360mm, 1 x 240mm, 1 x 120mm 1 x 280mm, 1 x 140mm
Clearance	CPU cooler height limitation: 190mm VGA length limitation: 370mm (With Radiator) 420mm (Without Radiator) PSU length limitation: 220mm

Figure	Part Name	Q'ty	Used For
	Screw #6-32*6.0mm	4	Power Supply
	PCI-E Riser Bracket	1	PCI-E Riser Cable
	Screw Flat #6-32*5.0mm	4	PCI-E Riser Bracket
	Screw #6-32*6.0mm	34	PCI-E Riser Cable Motherboard / 3.5" HDD
	Stand-off #6-32*7.5mm	5	Motherboard PCI-E Riser Cable
	Nut Setter	1	Motherboard Stand-off Installation
	Thumb Screw #6-32*6.0mm	8	VGA Card
	Screw M3*6.0mm	20	2.5" HDD 2.5" SSD
	3.5" HDD Rubber	20	3.5" HDD
	Clip	5	Side Panel
	Zip Ties	15	Cable Management
	Buzzer	1	Motherboard Alarm

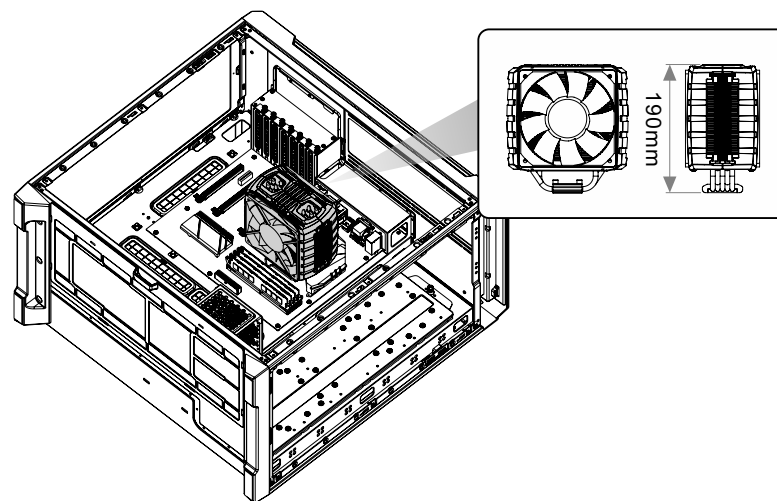
Chassis dimension



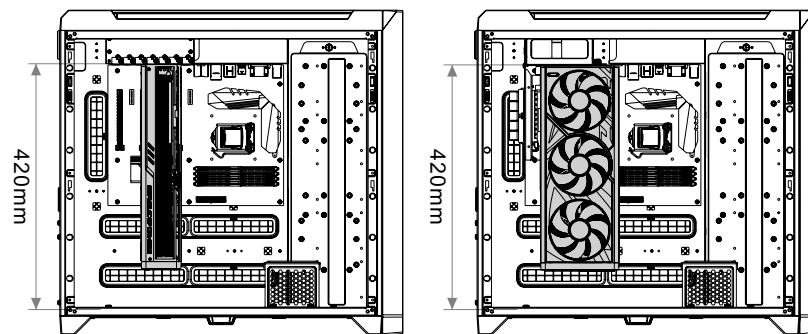
Motherboard compatibility: ITX / mATX / ATX / E-ATX
(Up to 330.2mm wide)



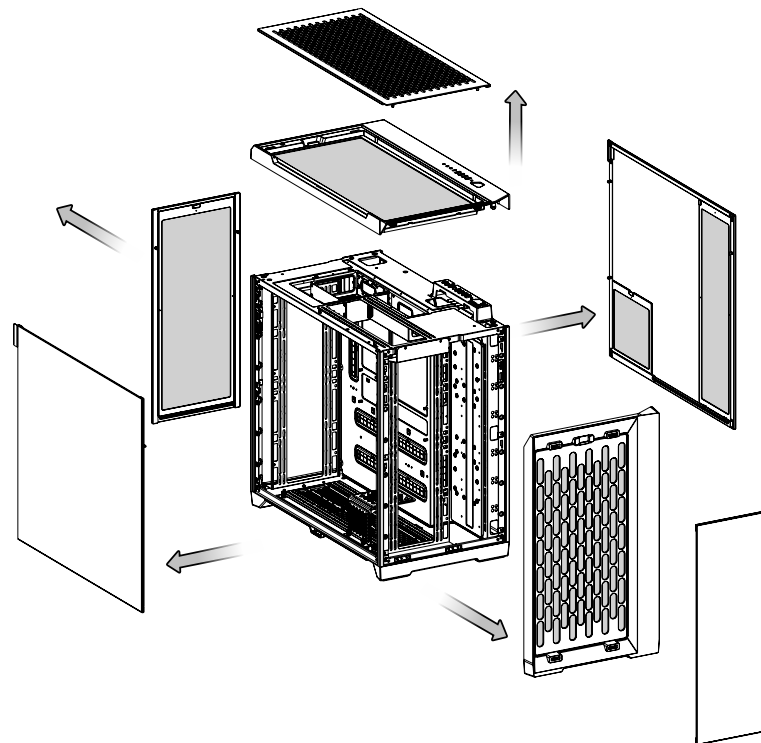
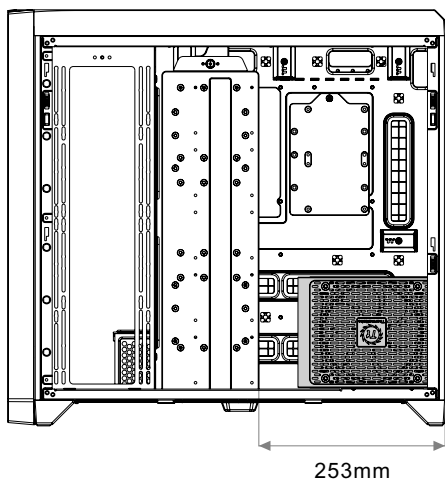
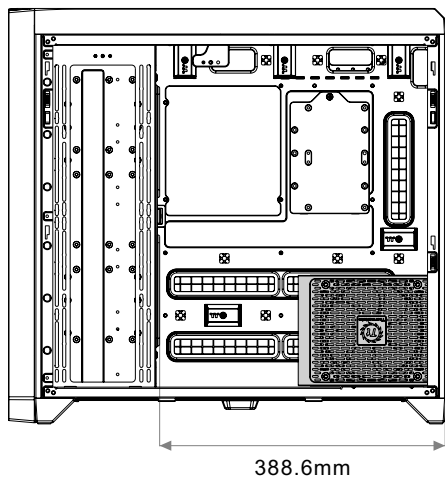
CPU cooler max height: 190mm

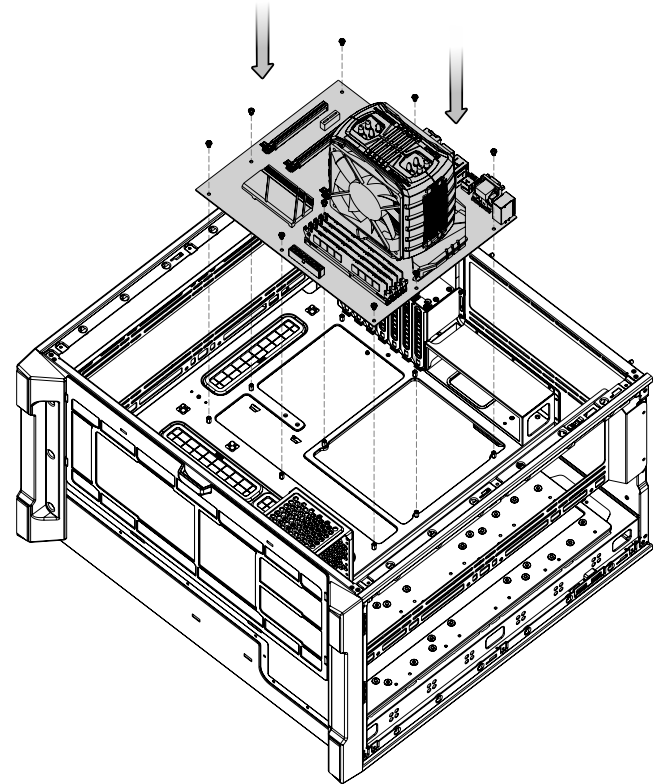
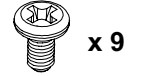
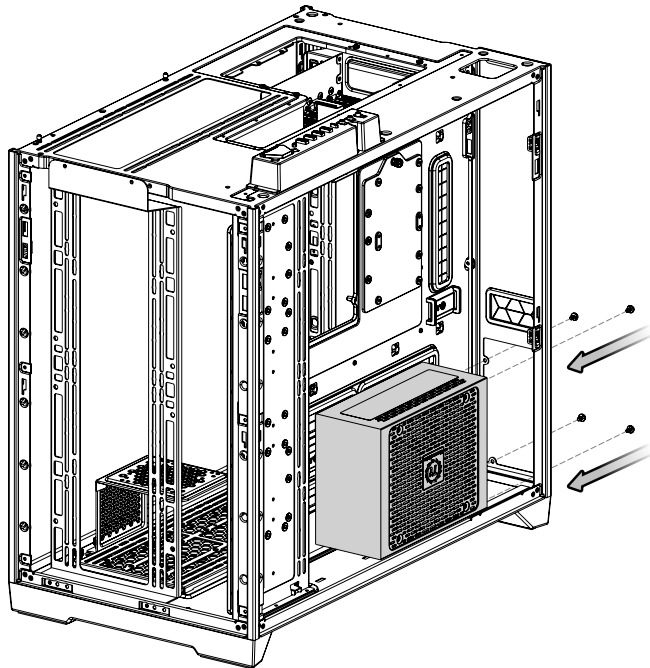


VGA max length: 420mm

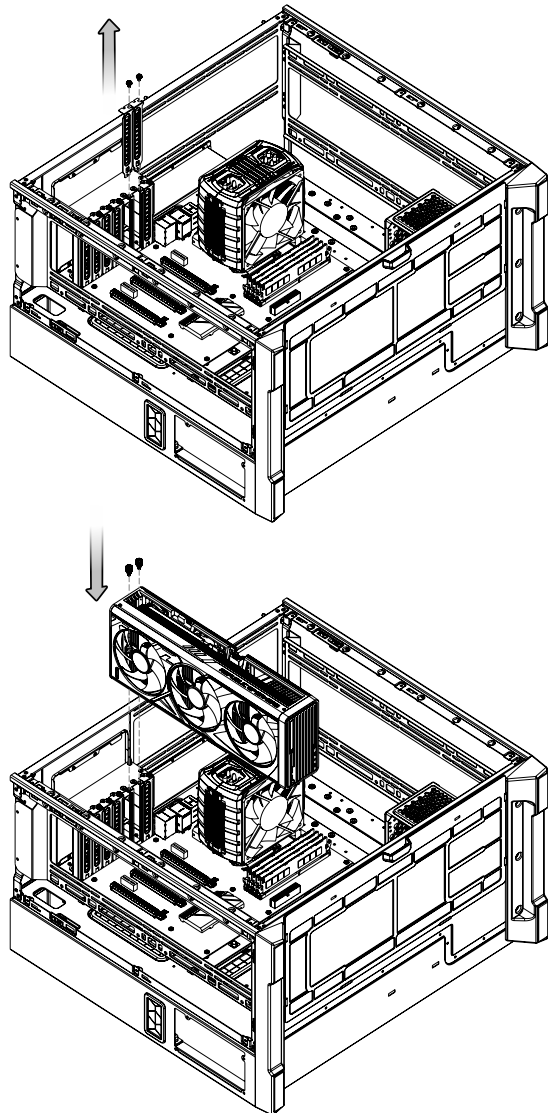


PSU max length: 220 mm

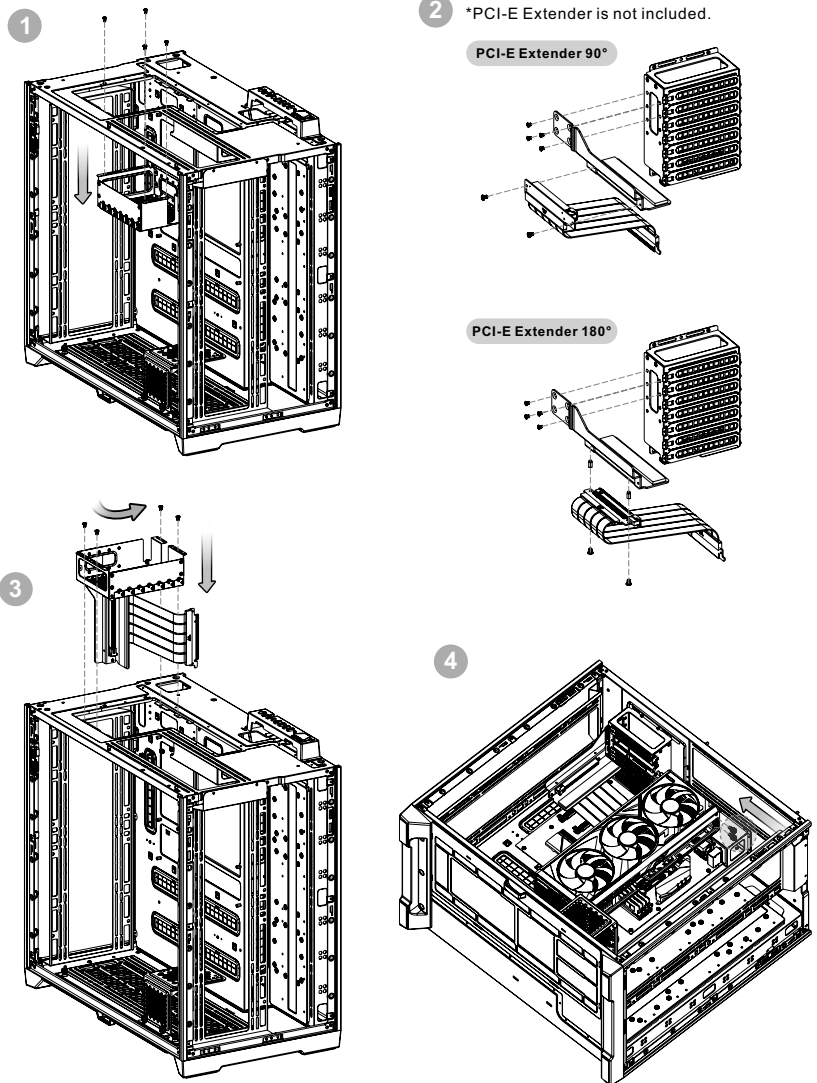




A

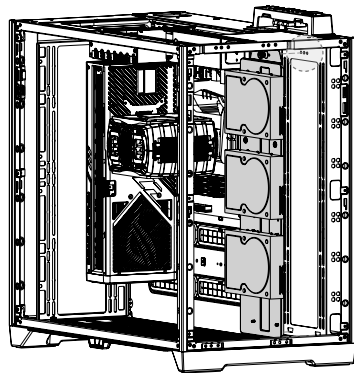


B

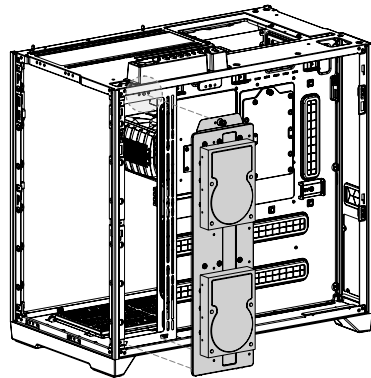


1 HDD Bracket

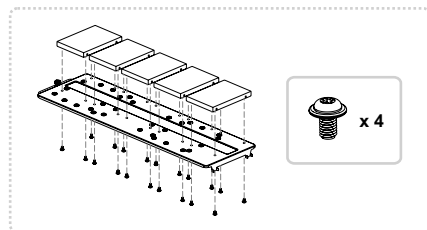
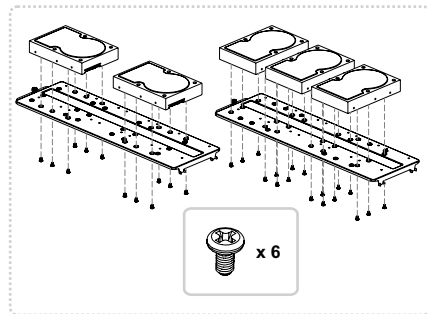
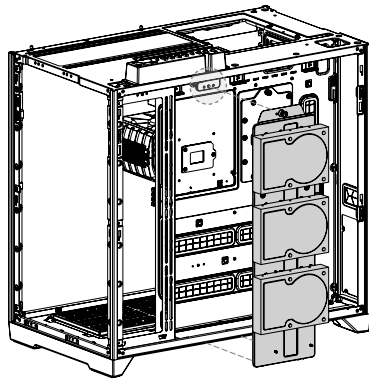
Type A



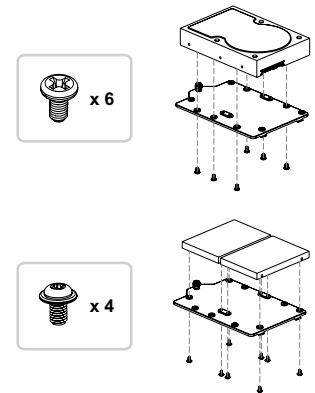
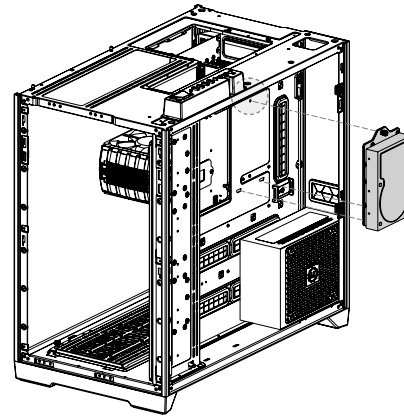
Type B



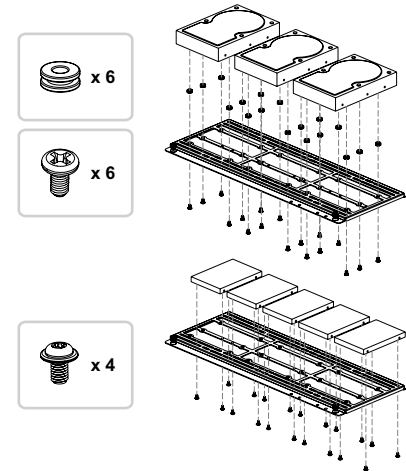
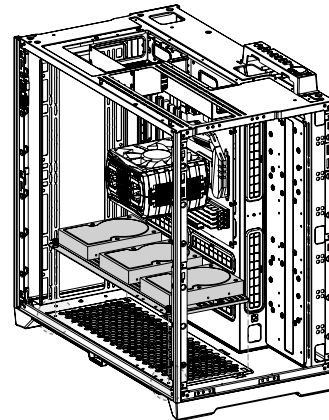
Type C

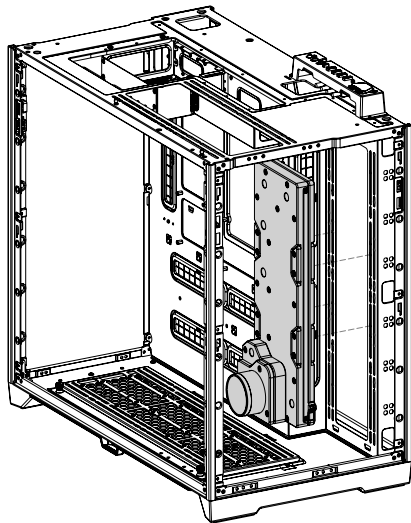


2

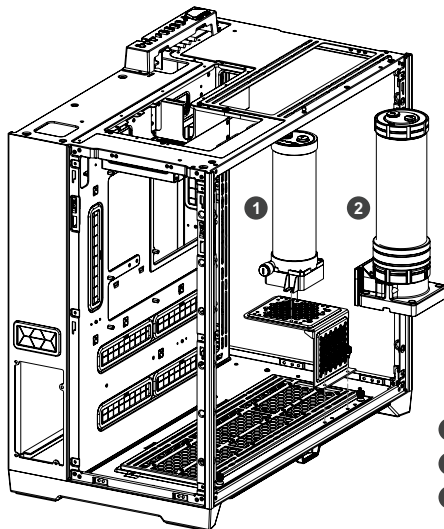


3

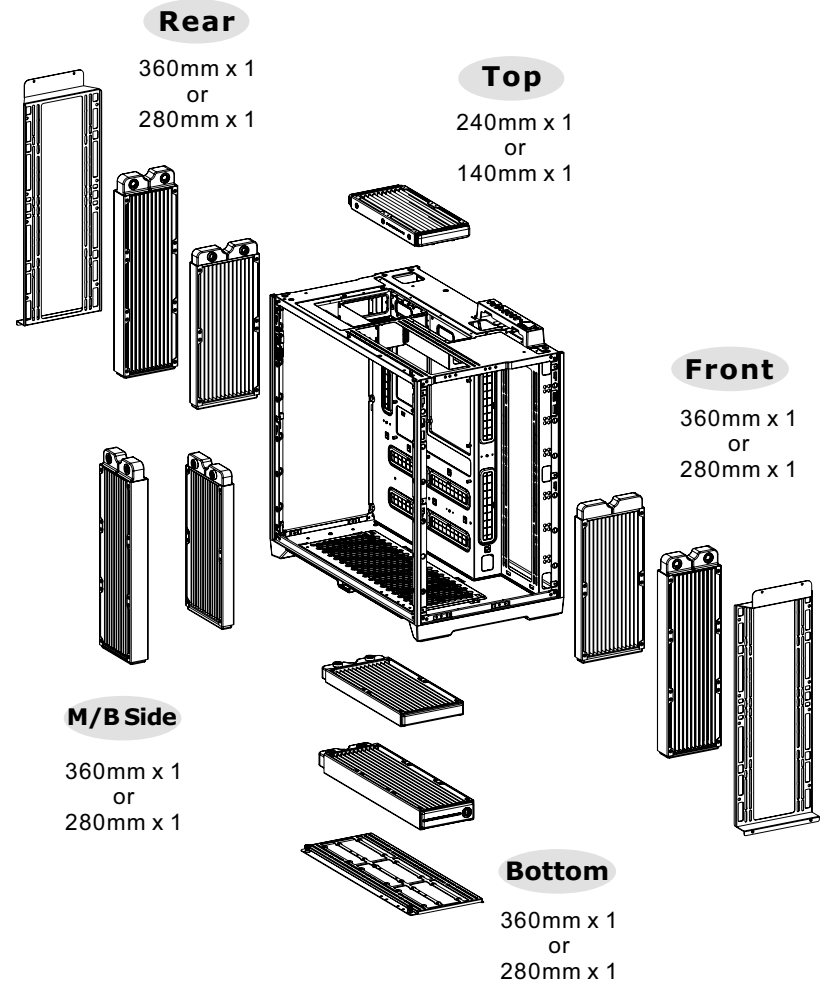




Pacific DP100-D5 Plus Distro-Plate



- 1 Pacific PR22-DC
- 2 Pacific PR32-D5 Plus
- 3 Pacific PR22-D5 Plus



Rear

360mm x 1
or
280mm x 1

Top

240mm x 1
or
140mm x 1

Front

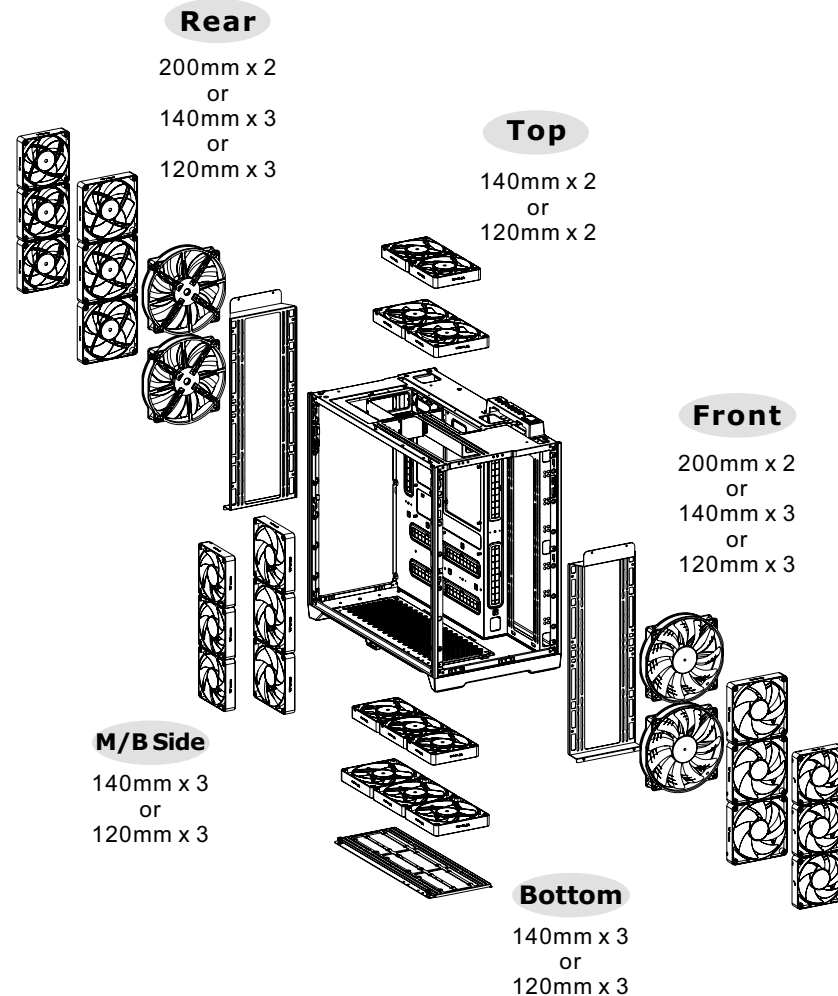
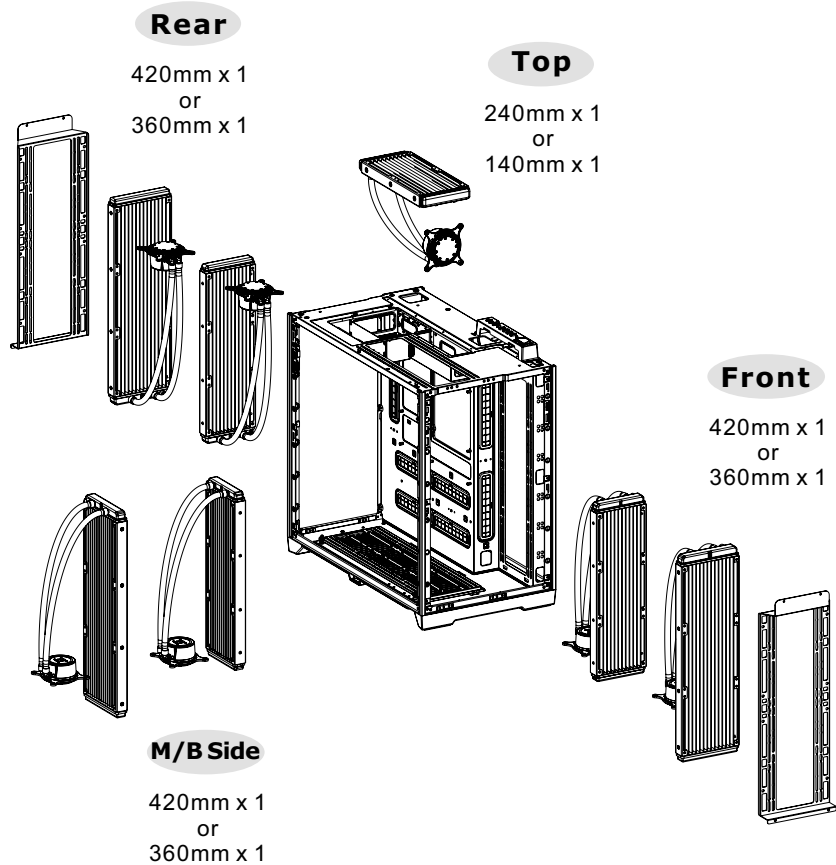
360mm x 1
or
280mm x 1

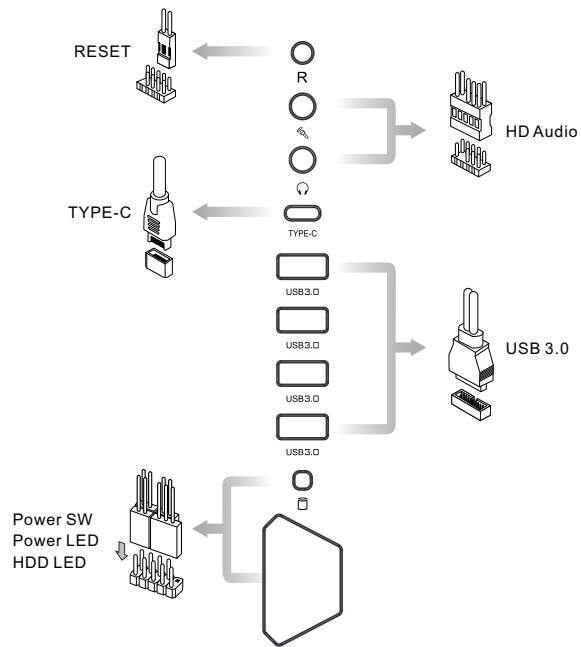
M/B Side

360mm x 1
or
280mm x 1

Bottom

360mm x 1
or
280mm x 1





ARGB Control Instruction – How to connect MB

