



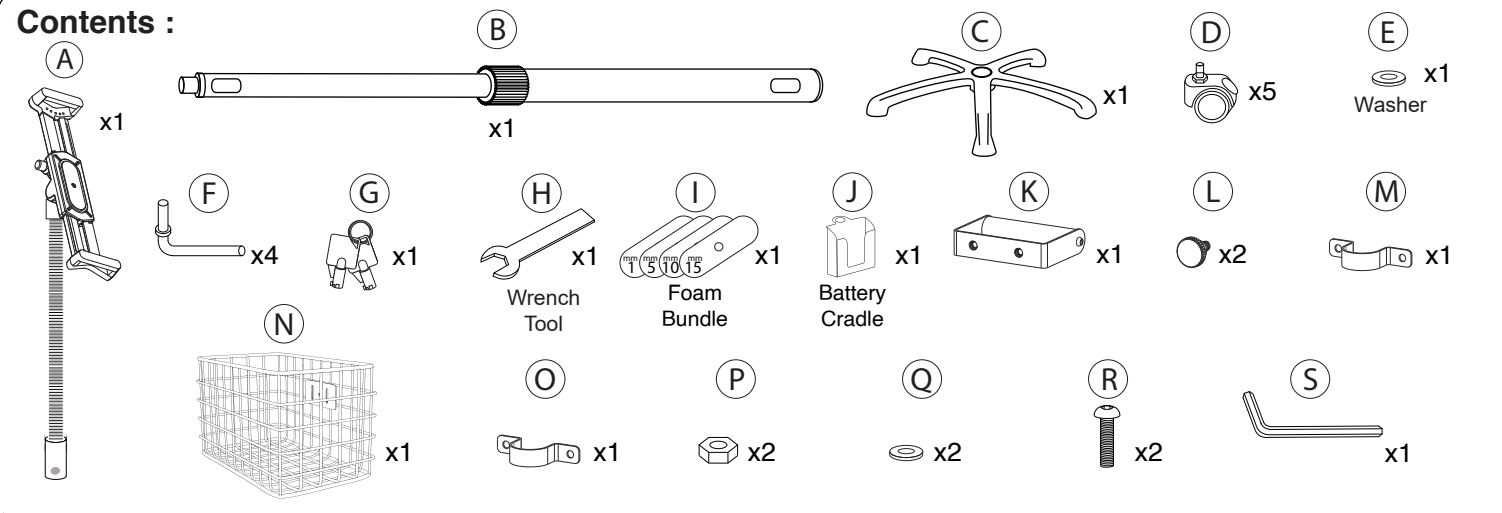
Heavy-Duty Medical Mobile Floor Stand and Accessories (White)

for 7-13-Inch Tablets

PAD-SHFSWAO

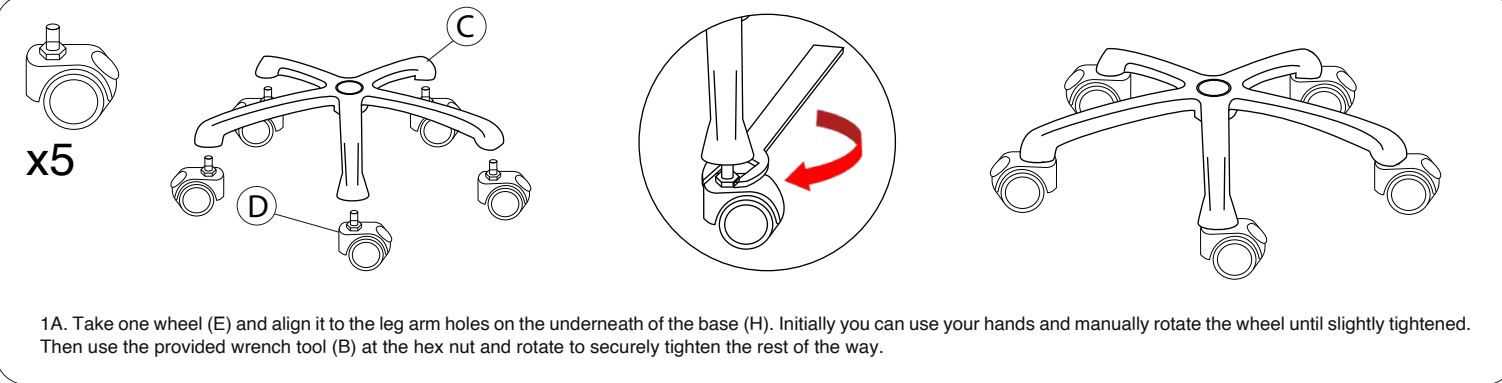
INSTRUCTION - MANUAL

Contents :

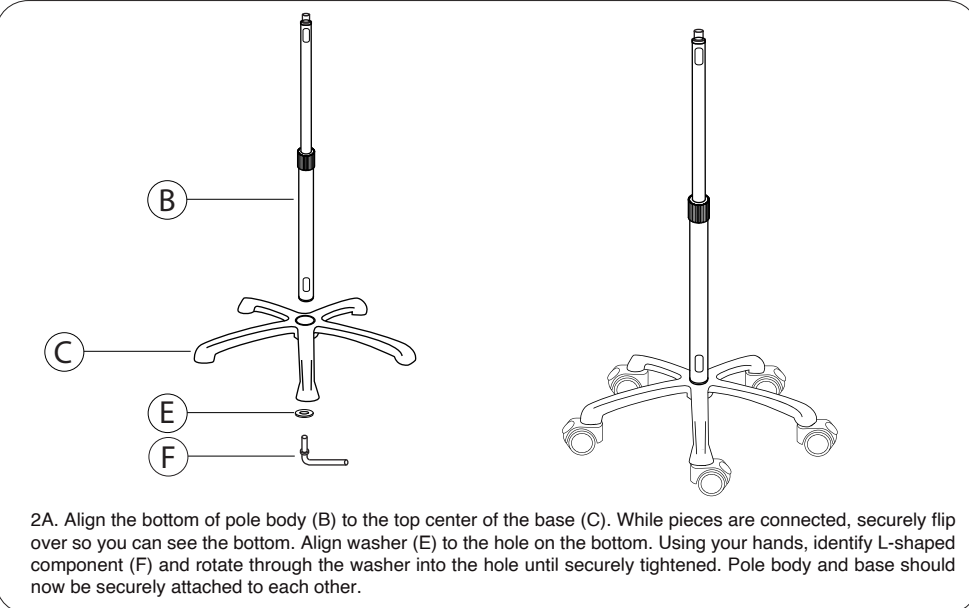


INSTRUCTIONS :

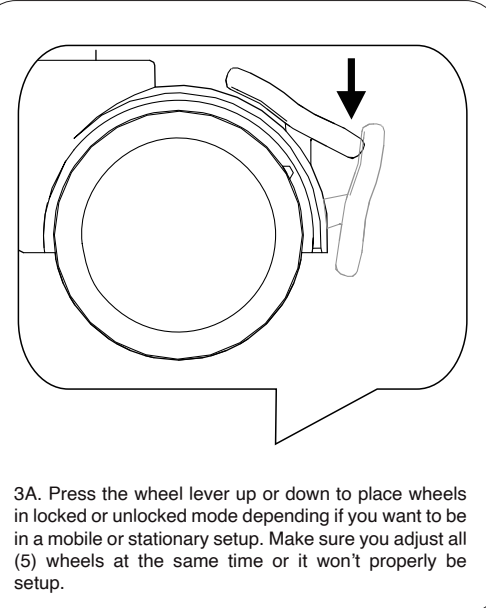
1. Installing the wheels :



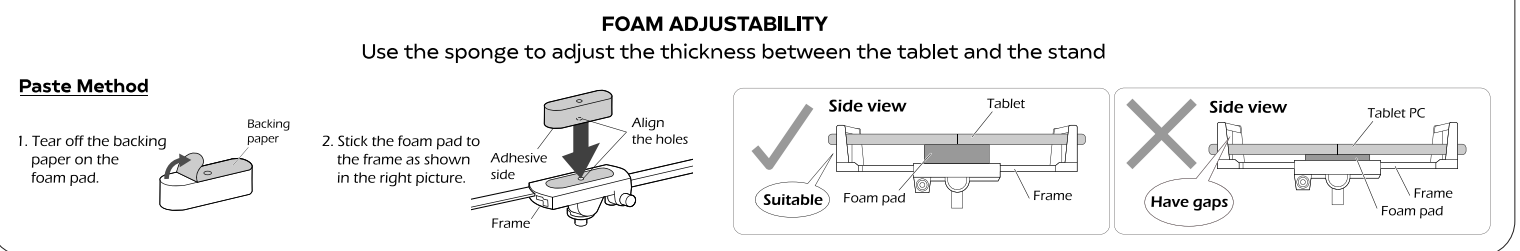
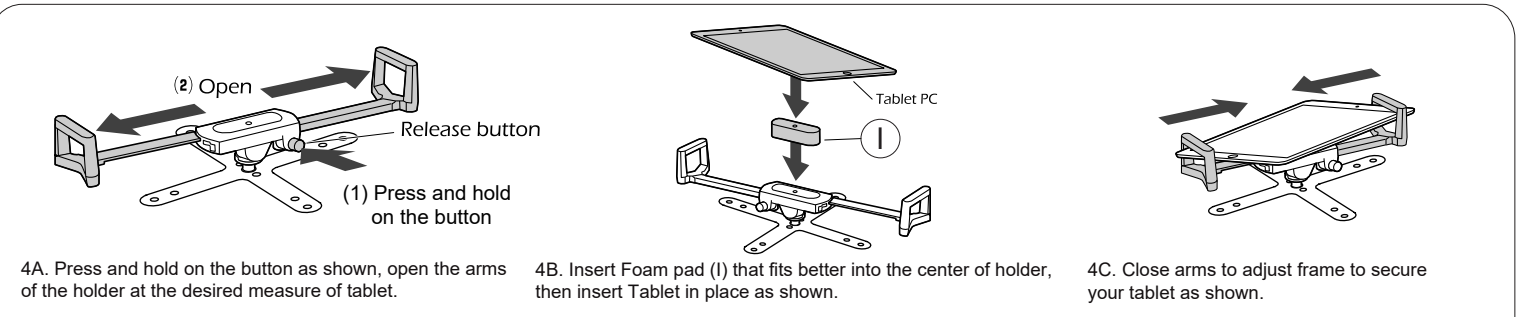
2. Assembling the base to body :



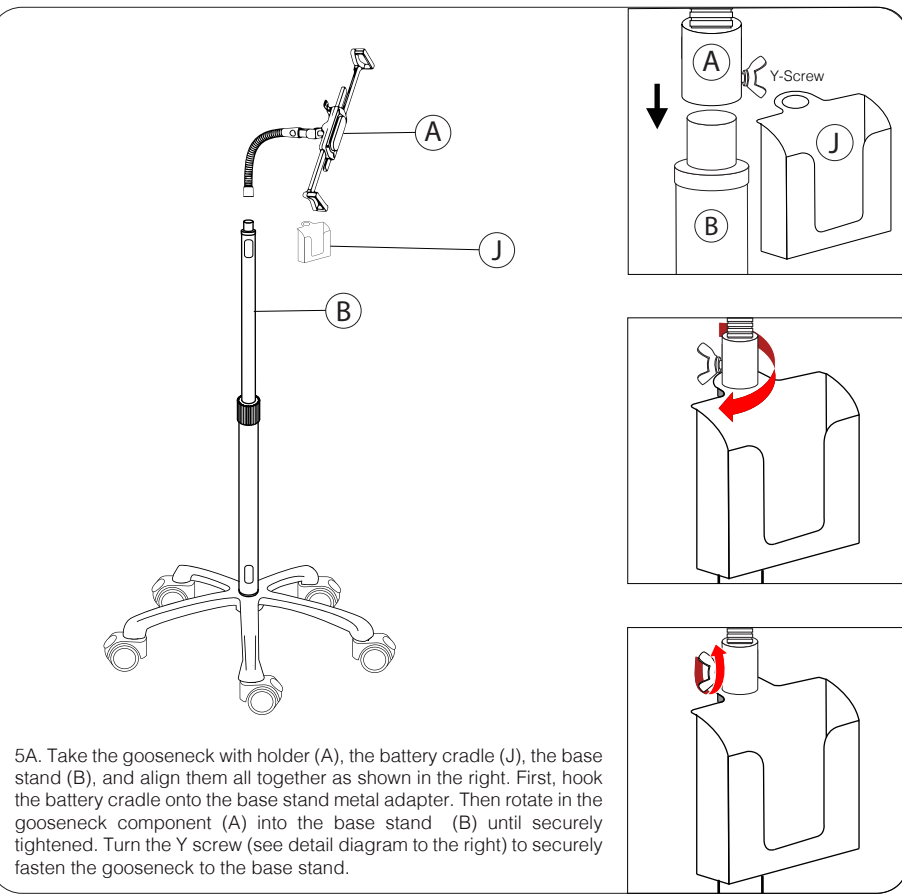
3. Locking casters :



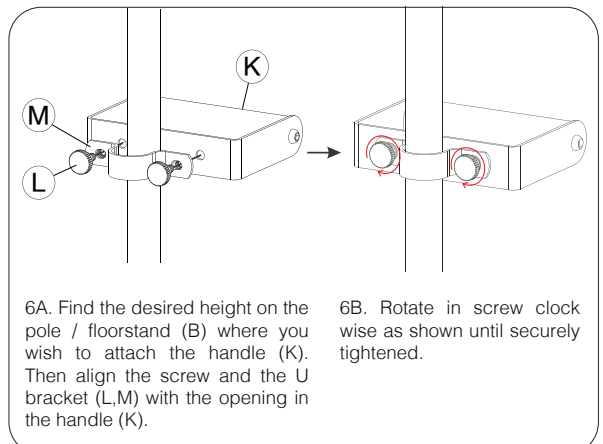
4. Setting up tablet in holder :



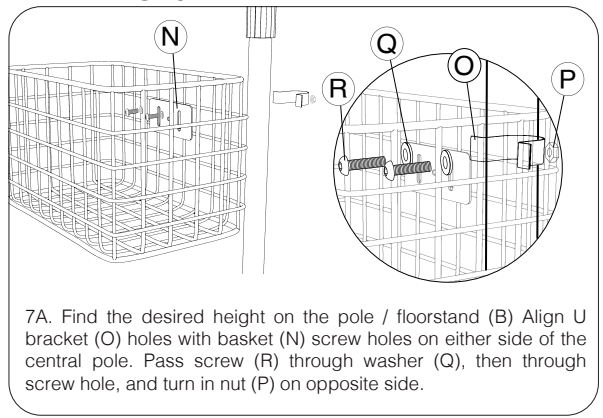
5. Assembling base stand with gooseneck, holder and battery cradle :



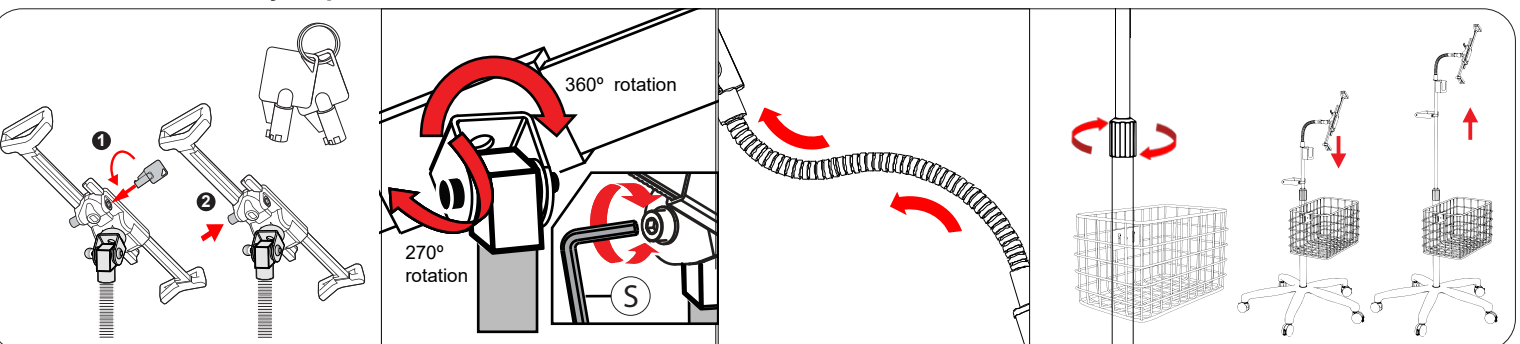
6. Setting up handle :



7. Setting up basket :



How to flex and adjust product :



Lock security
1. Insert the key into the lock slot.
2. Press and hold on the release button to unlock the holder.

Tightening & loosening main joint
Using an allen key (S), tighten the joint to create a more static and rigid setup. Loosen to allow adjustability as needed.

Adjusting Gooseneck
Using your hands, simply adjust for a multitude of angles the gooseneck until desired orientation, tilt angle, side angles are all achieve for the preferred setup.

Asjusting height
Identify the center pole height adjustment knob. Rotate clockwise and counterclockwise to raise or lower the center pole for preferred height. Once desired height is set, rotate knob in the middle opposite side of the handle to tighten and create a more rigid and secure setup.