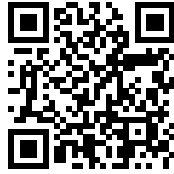




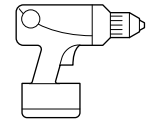
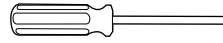
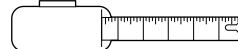
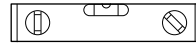
QUICK START

**POLY ROVE 20
DECT IP PHONE**



poly.com/support/rove

TOOLS NEEDED FOR WALL MOUNT

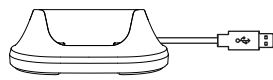


6 mm

CONTENTS



Poly Rove 20 DECT IP Phone
(with clip)

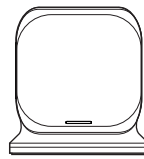


Charging Cradle



5V USB Power Adapter
(Varies by Country)

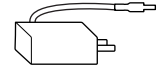
Included in Phone/Base Station Kit



Base Station
with Stand



Ethernet Cable



5V Power Adapter
(Varies by Country)

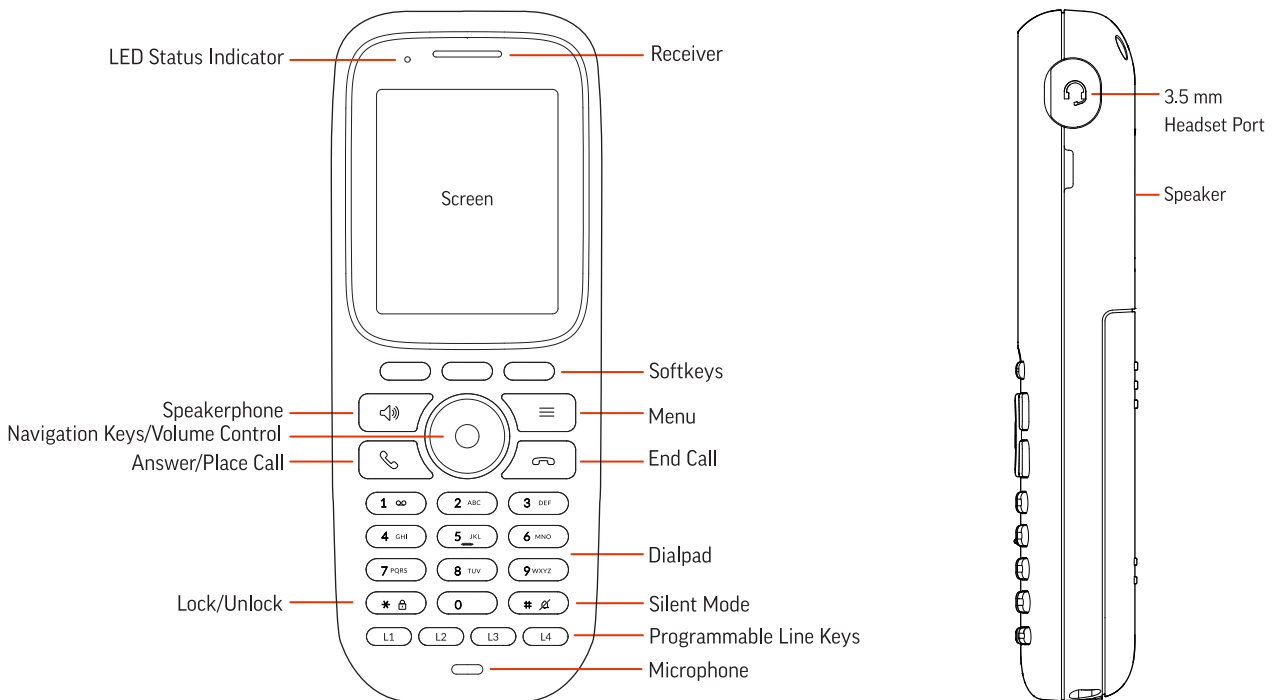


(2) 3.5 x 31 mm
Screw

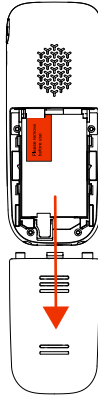


(2) Plastic
Wall Anchor

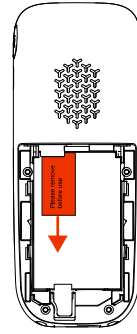
PHONE FEATURES



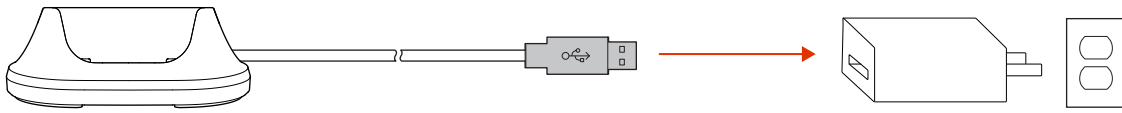
REMOVE BATTERY TAB 1



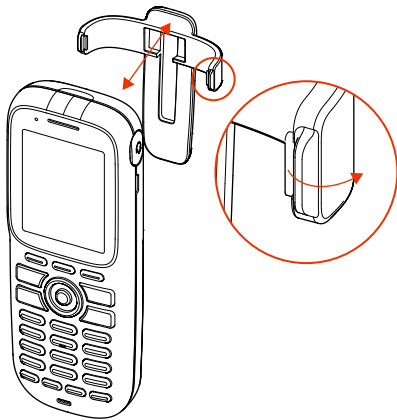
REMOVE BATTERY TAB 2



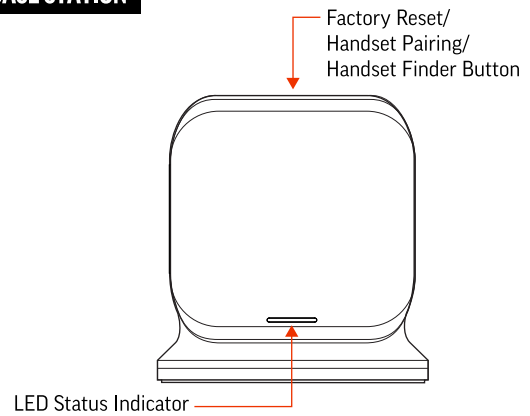
CHARGING CRADLE



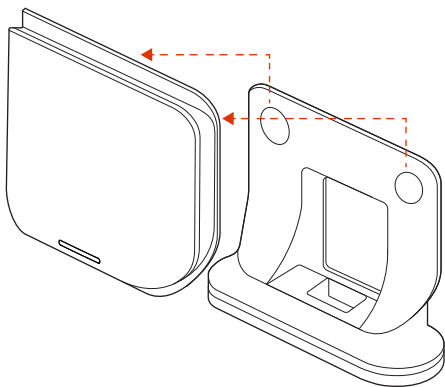
CLIP



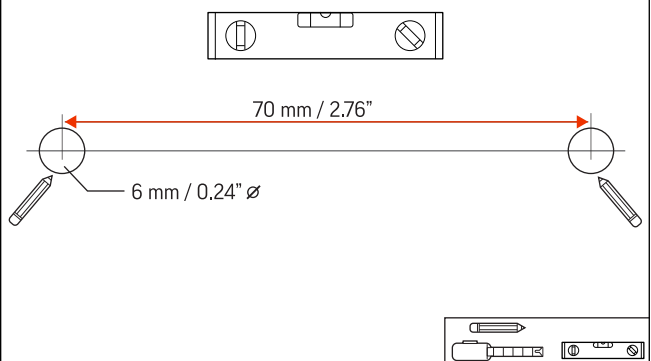
BASE STATION



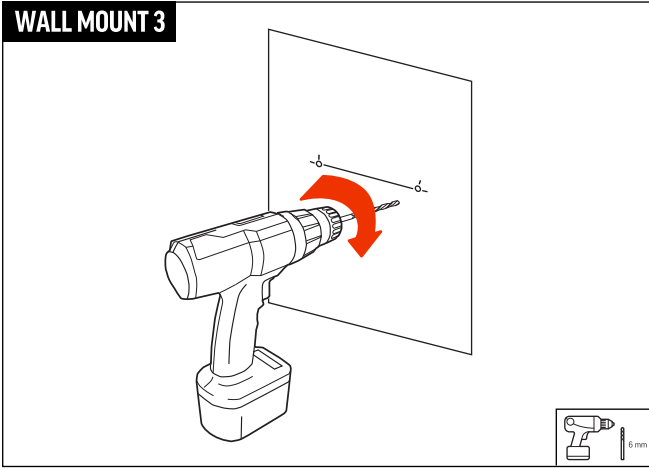
WALL MOUNT 1



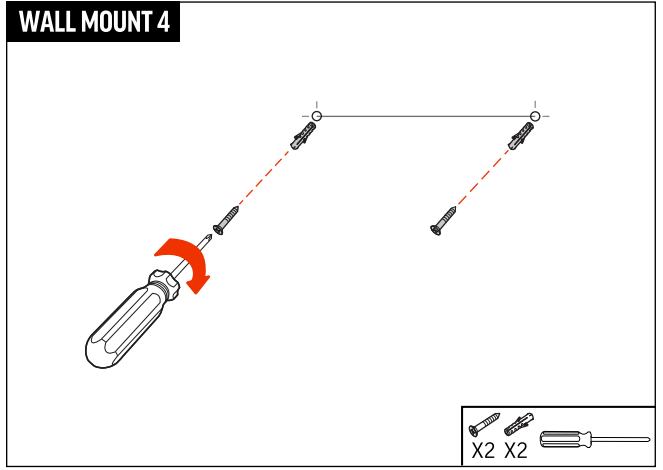
WALL MOUNT 2



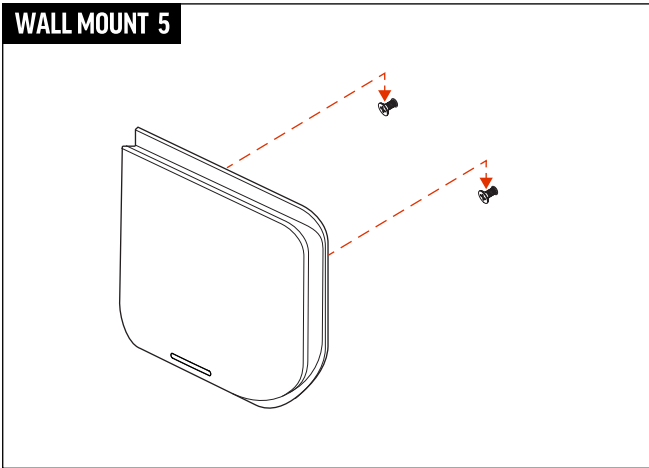
WALL MOUNT 3



WALL MOUNT 4



WALL MOUNT 5



 poly.com/support/rove

© 2023 Poly. All trademarks are the property of their respective owners.

 Recyclable where facilities exist

3725-34018-001A 04.23