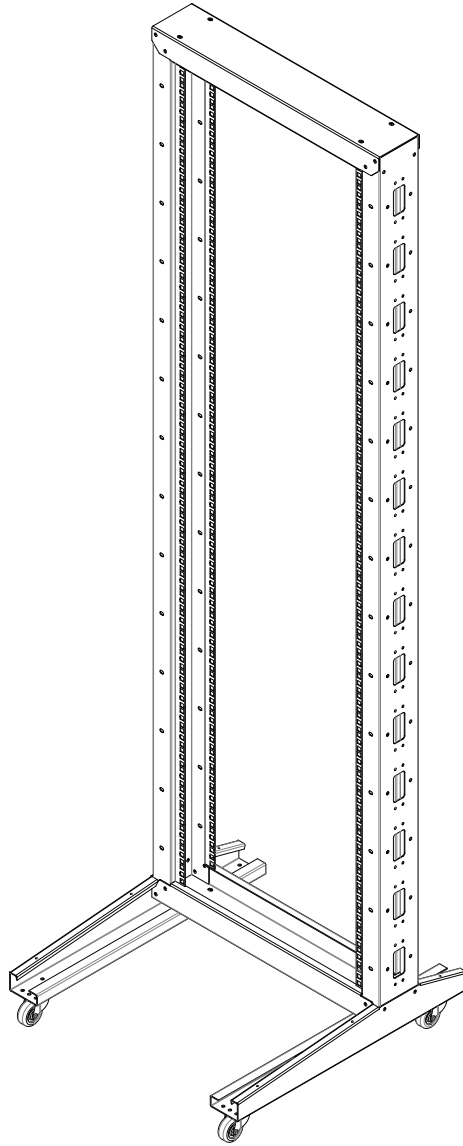




SolidRack 2-Post Server Rack with Casters  
Black



**User Manual**

# Table of Contents

	<u>Page</u>
<b>Rocstor Legal Disclaimer</b> - - - - -	<b>1</b>
<b>Important Safety Information</b> - - - - -	<b>2</b>
<b>Safety Instructions</b> - - - - -	<b>3</b>
<b>Introduction</b> - - - - -	<b>4</b>
<b>Component Identification</b> - - - - -	<b>5</b>
<b>Hardware and Accessories</b> - - - - -	<b>6</b>
<b>Assemble the Rack</b> - - - - -	<b>7, 8, 9</b>
<b>Enclosure Installation</b> - - - - -	<b>10</b>
<b>Warranty</b> - - - - -	<b>11</b>
<b>Contact Information</b> - - - - -	<b>12</b>

# Rocstor Legal Disclaimer

The information presented in this manual is not warranted by Rocstor to be totally authoritative, error free, or complete. This publication is not meant to be a substitute for a detailed operational and a site-specific development plan for the use of the product. Therefore, Rocstor assumes no liability for damages, violations of codes, improper installation, system failures, or any other problems that could arise based on the use of this Manual.

THE WARRANTY AND REMEDIES SET FORTH ABOVE ARE LIMITED IN TIME TO THE DURATION OF THE WARRANTY AS STATED HEREIN AND IS EXCLUSIVE IN LIEU OF ALL OTHER WARRANTIES, LEGAL THEORIES, REMEDIES AND CONDITIONS, WHETHER ORAL OR WRITTEN, EXPRESS OR IMPLIED. IN NO EVENT SHALL ROCSTOR, OR ANY PARENT, AFFILIATE OR SUBSIDIARY COMPANY OF ROCSTOR OR THEIR RESPECTIVE OFFICERS, DIRECTORS, OR EMPLOYEES BE LIABLE FOR ANY DIRECT, INDIRECT, CONSEQUENTIAL, PUNITIVE, SPECIAL, OR INCIDENTAL DAMAGES, INCLUDING, WITHOUT LIMITATION, DAMAGES FOR LOSS OF BUSINESS, CONTRACTS, REVENUE, LOST PROFITS, DATA, INFORMATION, GOODWILL OR BUSINESS INTERRUPTION RESULTING FROM OR ARISING OUT OF THE USE OF THE PRODUCT OR FAILURE TO FOLLOW INSTRUCTIONS IN THE MANUAL.

FURTHERMORE, ROCSTOR SPECIFICALLY DISCLAIMS ANY AND ALL IMPLIED WARRANTIES INCLUDING, WITHOUT LIMITATION, WARRANTIES OF MERCHANTABILITY AND FITNESS FOR A PARTICULAR PURPOSE. IF ROCSTOR CANNOT LAWFULLY DISCLAIM SUCH IMPLIED WARRANTIES, THOSE IMPLIED WARRANTIES WILL BE LIMITED IN DURATION TO THE DURATION SET FORTH ABOVE.

FURTHER STILL, ROCSTOR RESERVES THE RIGHT TO MAKE CHANGES OR UPDATES WITH RESPECT TO THE CONTENT OF THE PUBLICATION OR THE FORMAT THEREOF AT ANY TIME AFTER PURCHASE WITHOUT NOTICE.

Some states and provinces do not allow the exclusion or limitation of incidental or consequential damages or exclusions or limitations on the duration of implied warranties or conditions, so the above limitations or exclusions may not apply to you. This warranty gives you specific legal rights and you may also have other rights that vary by state or province.

Copyright, intellectual, and all other proprietary rights in the content of the manual (including but not limited to software, audio, video, text, and photographs) rests with Rocstor or its licensor. All rights in the content are the property of Rocstor and are not granted, licensed, assigned or otherwise passed to the purchaser' of the product or to persons having access to the information in the manual

PHILLIPS® is a registered trademark of Phillips Screw Company in the United States or other countries.

# Important Safety Information

Please review and read the instructions very carefully in order to understand the specification of the equipment. This is essential information before installing, operating, service or maintaining your equipment. These messages or alerts may appear throughout this publication and manual for your purchased equipment. The messages are designed to warn you of possible hazards or to bring to your attention the information that would assist and clarifies steps and procedures.



This symbol and label provides Danger or Warning safety which indicates an electrical hazard exists. If instructions are not fully followed, it may result in personal injury.



This is a safety alert symbol. It is used to alert you to potential personal injury hazards. Please follow the instructions very carefully and obey all safety messages that follow this symbol to avoid possible injury or death.

## **DANGER**

**DANGER** This symbol represents an imminently hazardous situation which, if not avoided, will result in death or serious injury. Please follow instructions carefully.

## **WARNING**

**WARNING** This symbol represents a potentially hazardous situation which, if not avoided, can result in death or serious injury. Please follow instructions carefully.

## **CAUTION**

**CAUTION** This symbol indicates a potentially hazardous situation which, if not avoided, can result in minor or moderate injury.

## **CAUTION**

**CAUTION**, This symbol is used without the safety alert symbol, indicates a potentially hazardous situation which, if not avoided, can result in equipment damage. Please follow instructions carefully. Please follow instructions carefully.

## **NOTICE**

**NOTICE** This symbol provides informations and practices not related to physical injury including certain environmental hazards, potential damage or loss of data. Please follow instructions carefully.

# Safety Instructions

Please follow the essential and important instructions in this manual. The information provides you useful instructions for installation and customization of the rack or equipment.

## **WARNING**

### **TIP/ HEAVY EQUIPMENT HAZARD**

- The content of this packaging is easily tipped. Please be extra careful and use extreme caution when moving or unpacking this cabinet.
- Two people are preferred and are required to move, unpack and install the cabinet.
- Not following these instructions carefully, can result in death, serious injury, or equipment damage. Please follow the assembly instructions very carefully.
- This cabinet enclosure has 150 lb (68 kgs) Maximum Load Capacity. Please do not exceed the weight capacity limit of this product. Overloading the capacity of this product may result in bodily and property damage.
- This product is designed for indoor use. Do not use outdoors or in an open area. • DO NOT push the rack from its sides.
- This enclosure is not designed to be stacked. Do not place any items or liquids on top or around the enclosure.
- It is important to survey the area that this rack will be installed to assure the area is able to handle the total weight of the cabinet and the equipment inside the rack after all equipment installation.

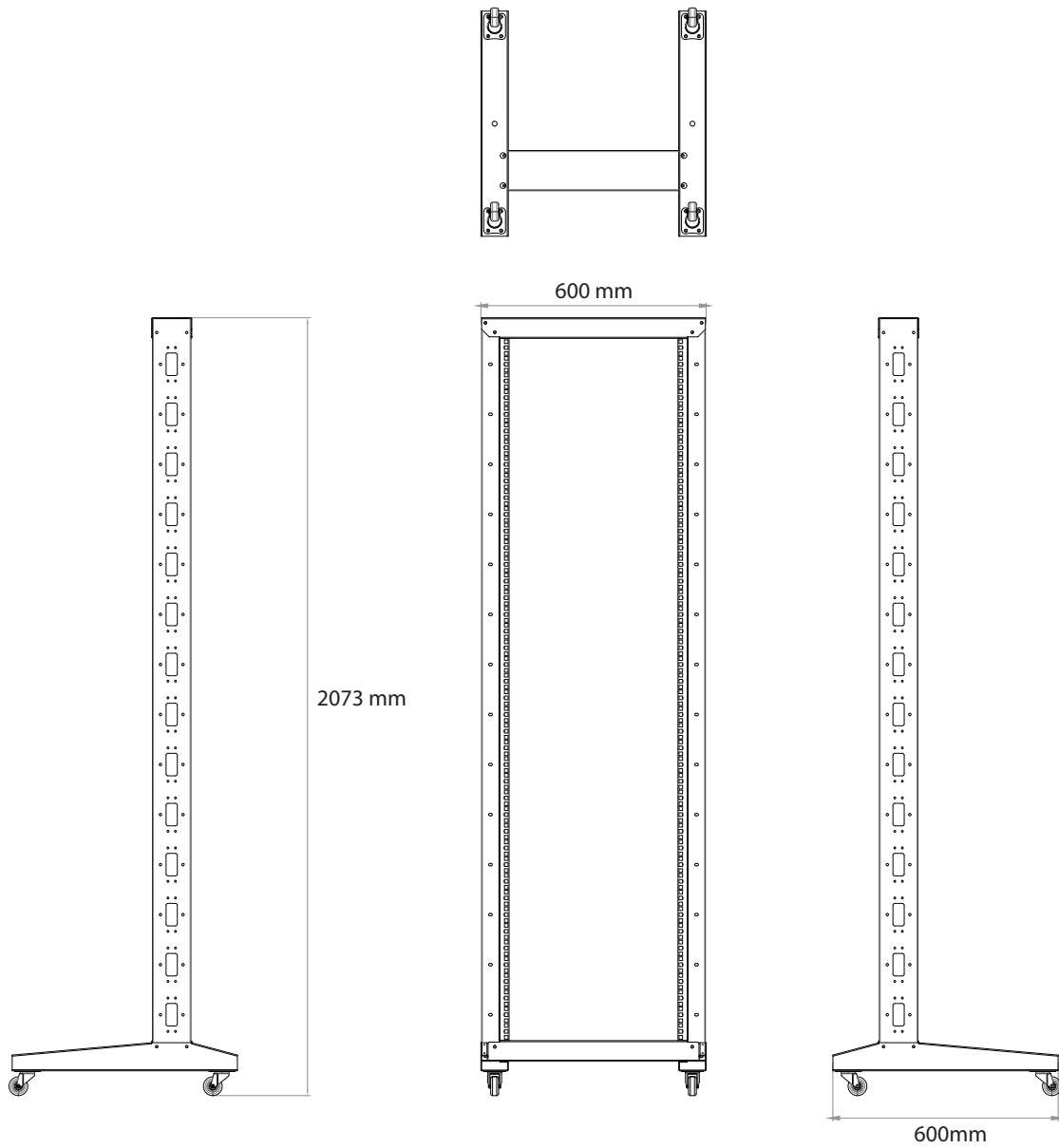
### **Warning:**

Do not attempt to mount to wall, when equipment is mounted inside rack.  
Rack can hold up to 85 pounds evenly distributed. Make sure wall surface can hold weight of rack/equipment.

***Not following these instructions carefully, it can result in death, serious injury, or equipment damage***

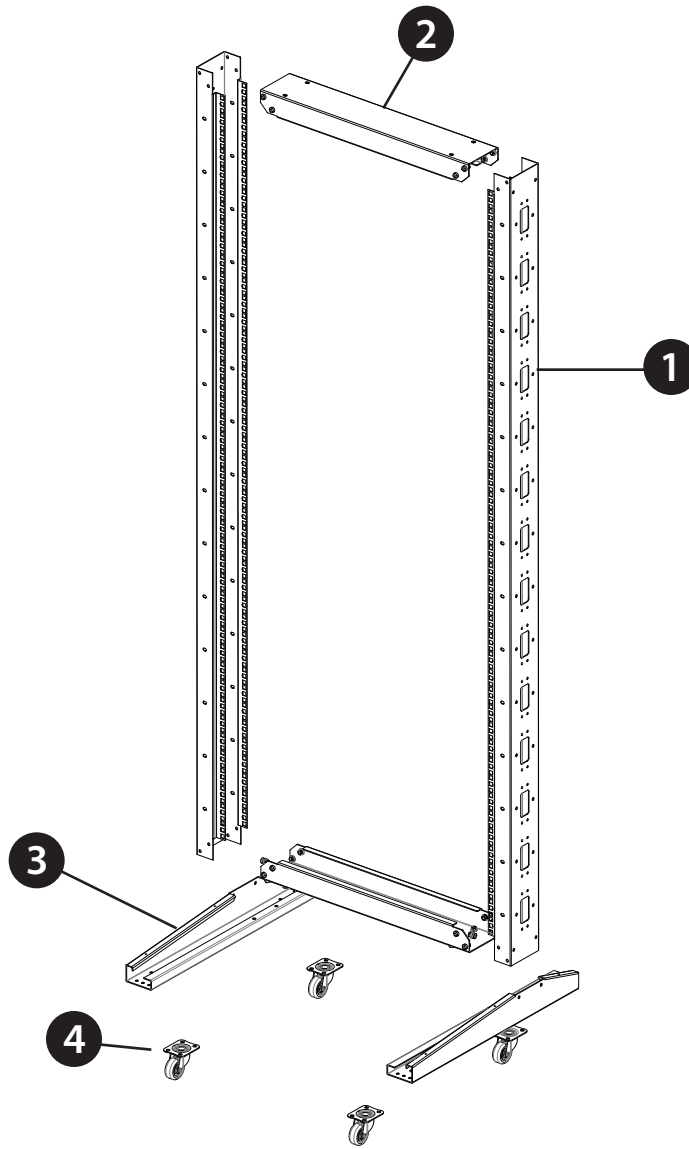
# Introduction

SolidRack 2-Post 42U Server Rack with Casters - Cold-rolled Steel CRS - For Server, LAN Switch, Patch Panel - 42U Rack Height x 19" Rack Width - Assembly Required - Steel -Maximum Stationary load capacity of 661 lbs (300 kgs) - Meets EIA/ECA-310 Standards - Black



# Component Identification

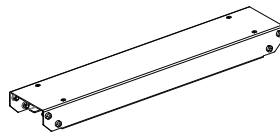
## Parts List



Vertical Rail

x2

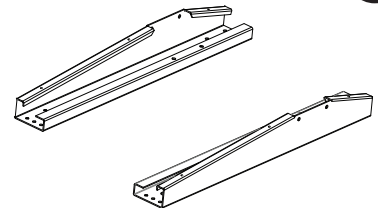
1



Horizontal Beam

x2

2



Plinth

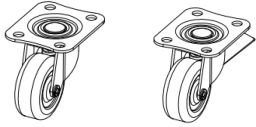
x2

3

4

# Hardware and Accessories

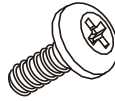
4



M6 Screw 12mm

x4

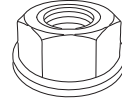
2 with brakes



M6 Screw 12mm

x40

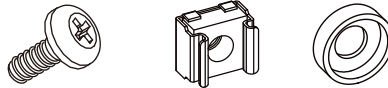
For Rack Assembly



M6 Flange Nut

x40

For Rack Assembly



Cage nuts Set

U Capacity  $\leq 27U$ , **x20** set

$27U < U$  Capacity  $\leq 37U$  **x30** set

U Capacity  $> 37U$ , **x40** set

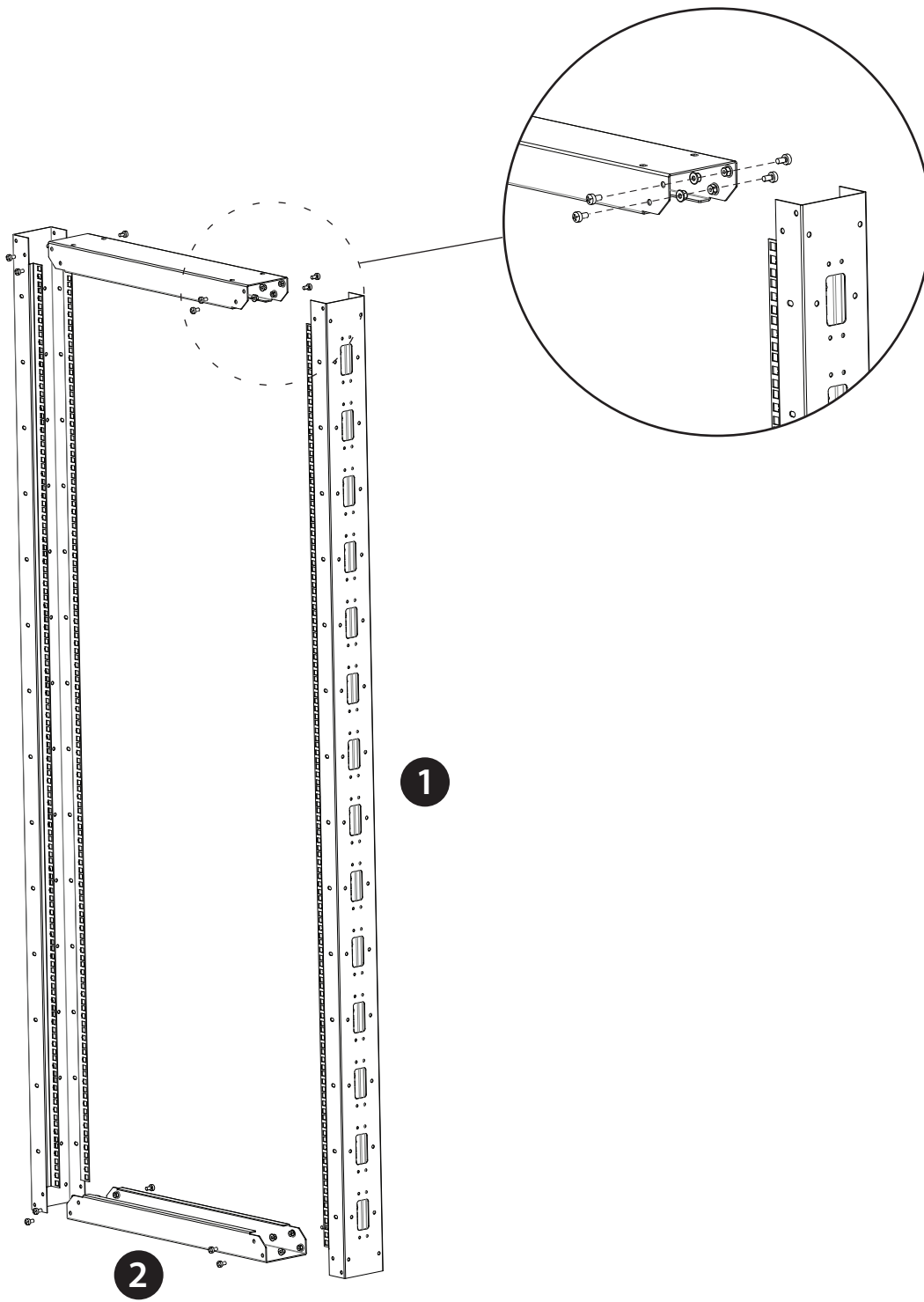
**To ensure proper and secure installation, cage nuts need to be installed horizontally as shown below. Installing cage nuts in the incorrect orientation can cause injury or equipment damage.**





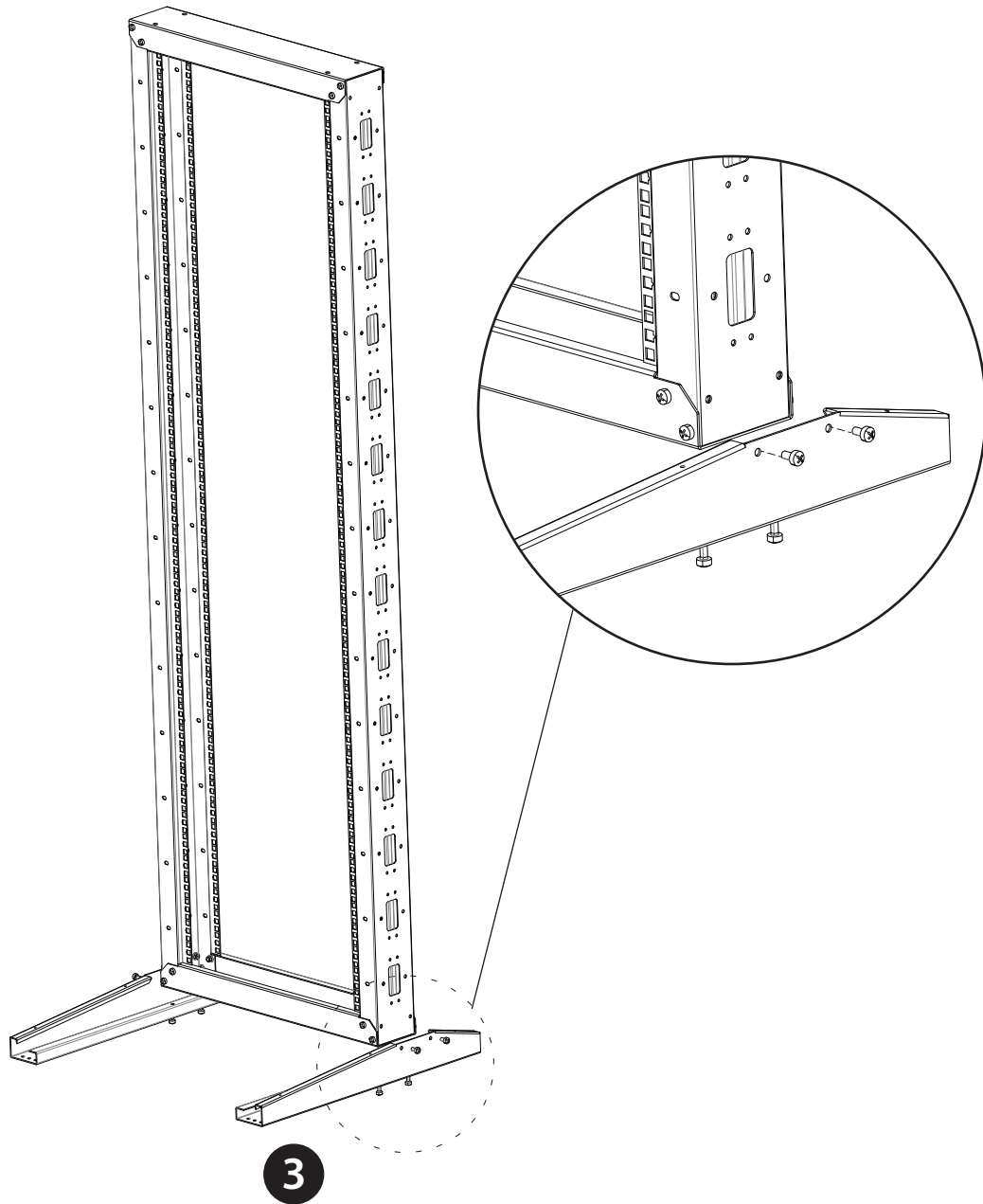
# Assemble the Rack

1. Assembly vertical rails (1) and horizontal beams (2) to form the frame with 16 sets M6\*12 screws and M6 flange nuts.



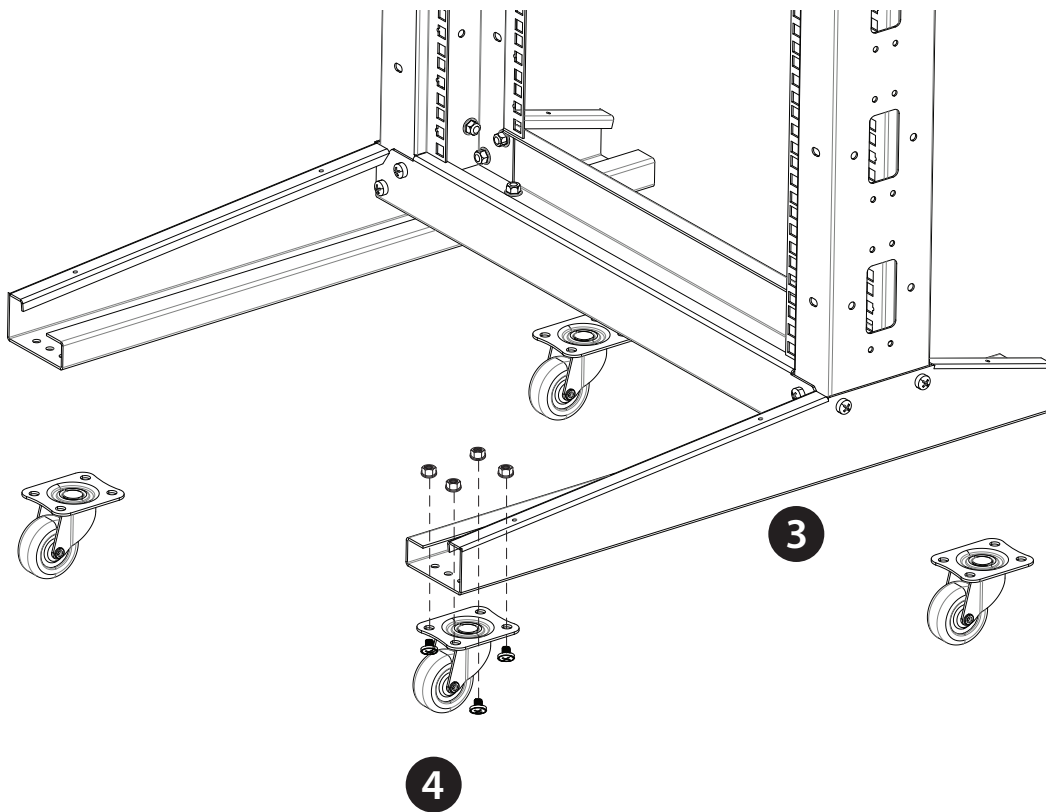
# Assemble the Rack

2. Assembly the frame and plinth by 8 sets M6\*12 screws and M6 flange nuts.



# Assemble the Rack

3. Assemble the (4) casters that are included on the Base of the rack. Using the 16 sets of M6 screws and flange nuts.



# Enclosure Installation

## CAUTION

**CAUTION**, This symbol is used without the safety alert symbol, indicates a potentially hazardous situation which, if not avoided, can result in equipment damage. Please follow instructions carefully. Please follow instructions carefully.

## NOTICE

**NOTICE** This symbol provides informations and practices not related to physical injury including certain environmental hazards, potential damage or loss of data. Please follow instructions carefully.

## Tools Requirement & Preparation for Installation

Make sure you inspect the area that this racks will be installed. This rack should be installed in a structurally sound area that can handle the load and the weight of the racks. If you place the racks on a level floor, make sure the floor can bear the weight of the rack, all equipment that will be installed in the rack.

The following tools are required for proper installation:

- Level (not included)
- Phillips-head screwdriver (not included)

# Five-Year Factory Warranty

Rocstor provides a Limited Factory Warranty which applies to products you have purchased for commercial or industrial use in the ordinary course of your business.

## Terms of warranty

Rocstor warrants its SolidRack product series to be free from defects in materials and workmanship for a period of five years from the date of purchase. Rocstor's obligation under this warranty coverage is limited to repairing or replacing, at its sole discretion, any such defective products. This warranty does not apply to equipment that has been damaged by accident, negligence, or misapplication or has been altered or modified in any way. In the event Rocstor repairs or provide a replacement of a defective product or part, the warranty does not extend the original warranty period. Rocstor reserves the right to repair or replace any parts under warranty as new or factory re manufactured.

## Non-transferable warranty

This warranty extends only to the original purchaser who must have properly registered the product. The product may be registered at the Rocstor Web site, <https://rocstor.com/customer-support/warranty> registration.

## Exclusions

If Rocstor tests or examines the alleged defect in the product and finds that the damages or defects do not exist or were caused by a third party or an end user's misuse, improper installation or testing, or negligence, then Rocstor shall not be liable under the warranty. Furthermore, unauthorized attempts to repair or modify the product by wrong or inadequate electrical connection or voltage, inadequate or inappropriate site operation conditions, repair, installation corrosive area or atmosphere, a change in location or operating conditions or use, repair by non-Rocstor designated personnel, exposure to the elements, fire, Acts of God, theft, or equipment installation not recommended or contrary to Rocstor's specifications or recommendations. Warranties will be void and Rocstor will not be liable if the product serial number is tampered with, altered, removed, defaced or any other cause beyond the range of intended use.

# Contact Information

## Corporate Headquarters

12979 Arroyo Ave  
San Fernando, CA 91340 - USA

Office: +1 (818) 727-7000  
Fax: +1 (818) 875-0002  
Email: info@Rocstor.com

## Technical Support / RMA

Hours: 9:00 am - 5:00 pm PST  
Mon - Fri (excluding holidays)

Tell: +1 (818) 727-7000 (Domestic and Internationals)  
Fax: +1 (818) 875-0002  
Email: support@Rocstor.com

## Sales Info

Hours: 8:00 am - 5:00 pm PST  
Mon - Fri (excluding holidays)

Tell: +1 (818) 727-7000 (Domestic and Internationals)  
Fax: +1 (818) 875-0002  
Email: support@Rocstor.com

## Corporate, Government and Academic Customers

Our Corporate Sales Team's goal is to help our U.S.A. and Canadian customers find a storage solution that best serves their needs. We will help you determine your best purchasing options. For more information please contact the appropriate department below or call us at +1 (818) 727-7000.

General sales information:	sales@Rocstor.com
Corporate sales information:	corporate_sales@Rocstor.com
Educational sales information:	academic_sales@Rocstor.com
Federal, State & Local government sales information:	government_sales@Rocstor.com

## Resellers/Business Development/OEM Partners

All Channel National and International Resellers, VARs, Consultants ...

contact Rocstor Channel Sales: call: +1 (818) 727-7000  
Email: reseller\_info@Rocstor.com