

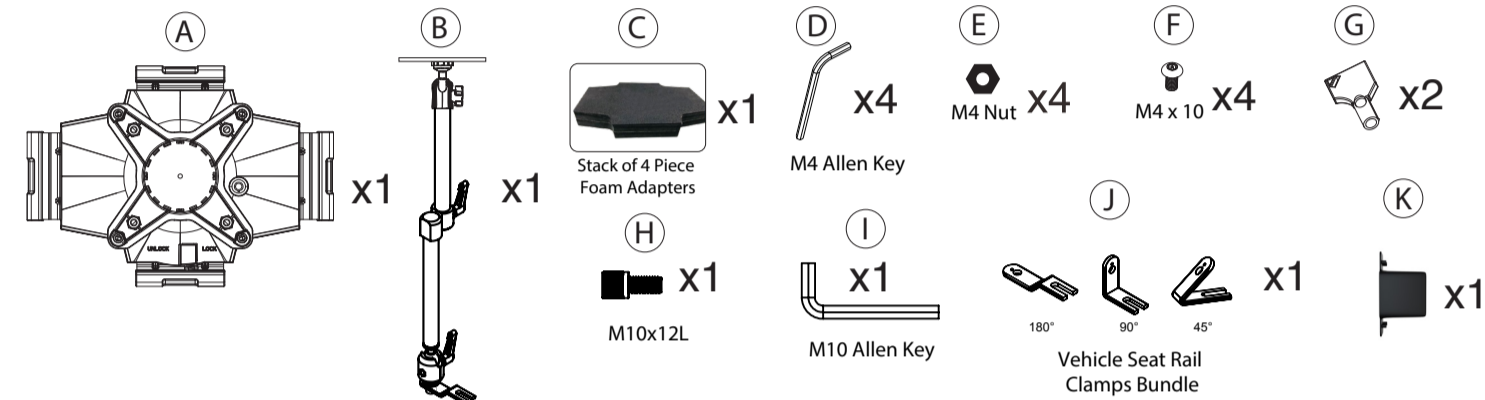


Custom Flex Vehicle Mount w/ Security Universal Holder

AUT-CFVMH

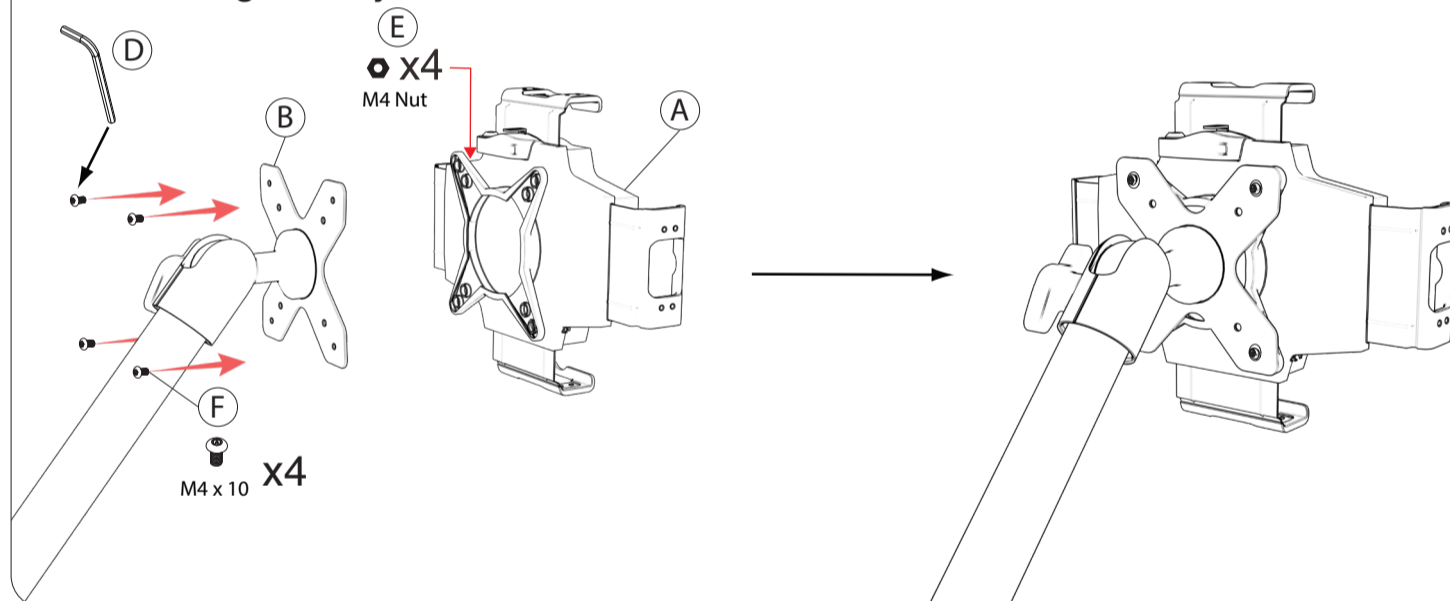
INSTRUCTION - MANUAL

Package Contents:



Intructions:

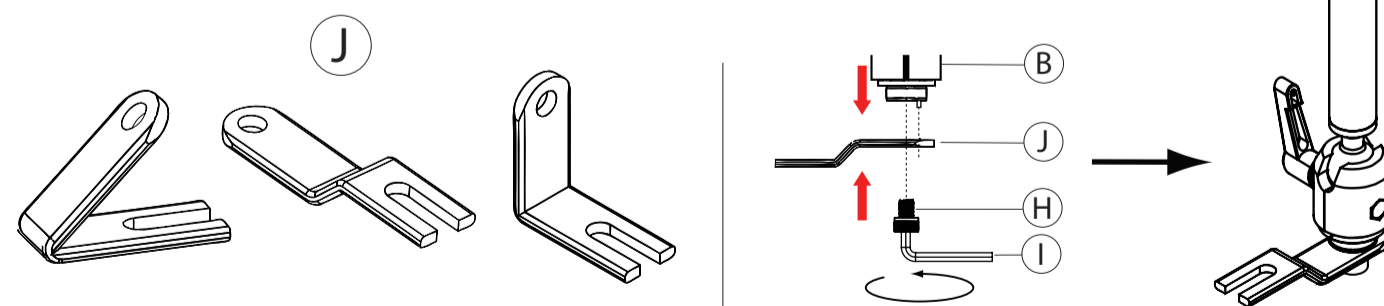
1. Assembling Security Holder to the Vehicle Mount



1A. Align VESA plate holes of the vehicle mount (B) to the VESA holes of the security holder (A). Place hex nut (E) on the front side of the holder VESA in the hex hole using your fingers. Rotate in screws (F) with the provided tool (D) from behind until securely tightened.

2. Assembling Rail Clamp Footing of the Vehicle Mount

Because each vehicle is different, you will need to determine which included seat rail clamp is best for you.

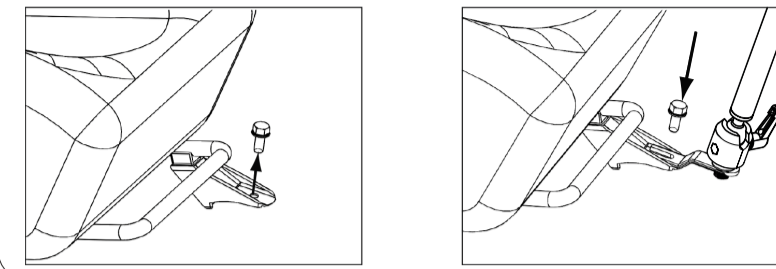


2A. Choose the clamp base (J) with the angle that matches your needs.

2B. Align the preferred clamp (J) and the vehicle mount (B) and rotate in screw (H) with provided allen key tool (I).

3. Installing Vehicle Mount to your Vehicle Seat Rail

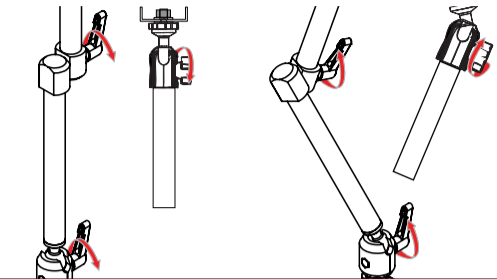
**Vehicle Seat and Rail and Additional Hardware Not Included



3A. Loosen the bolt (not included) of the seat rail.

3B. Install the full assembled vehicle mount on the seat rail and screw the bolt back as shown. (Tool not included)

4. How to Adjust the Joints

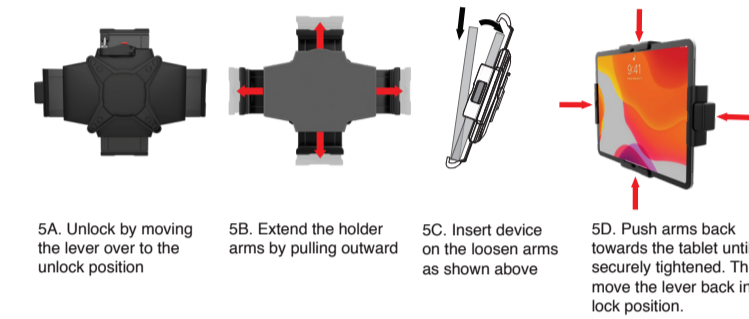


4A. Twist the screw knobs counter-clockwise to release the connection. Adjust the arm to your any preferred position & rotate clockwise until securely tightened

5. How to Insert a Tablet

Normal Type Installation

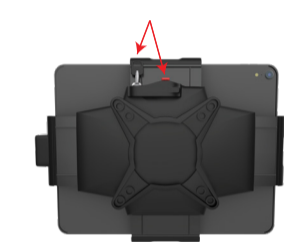
Caution: Holder arms can only be adjusted in "unlocked" setting. Make sure the lever is in the right position before attempted to adjust.



**Tablet shown for illustration purposes only and not included.

Security Type Installation

Caution: Holder arms can only be adjusted in "unlocked" setting. Make sure the lever is in the right position before attempted to adjust.



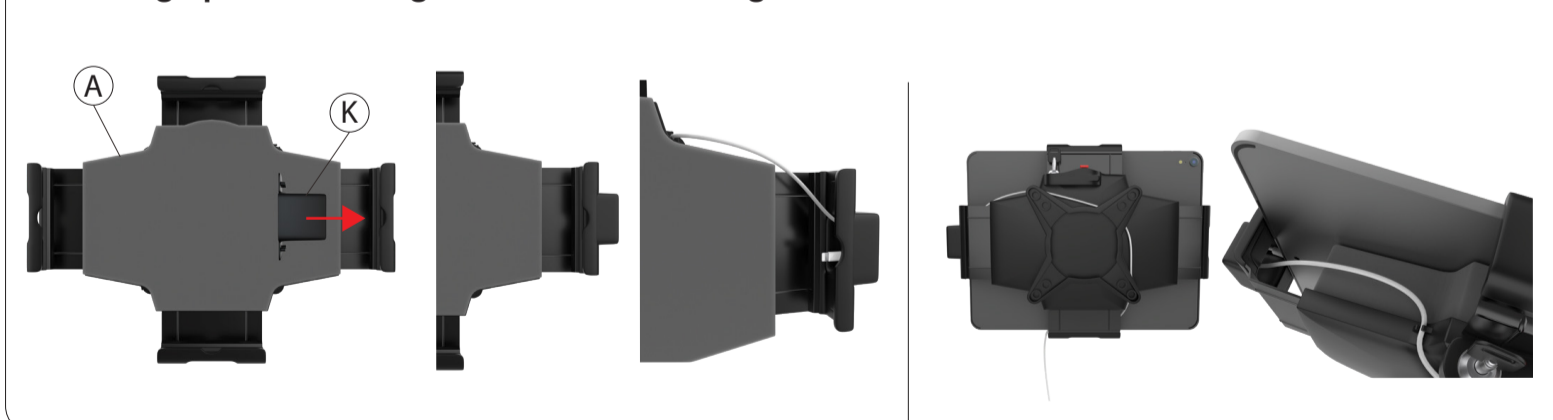
**Tablet shown for illustration purposes only and not included.

6. How to Setup the Foam



6A. Peel off the adhesive sticker on the backside. Then, stick on the appropriate foam back so that your tablet can fit into the holder securely. If there is still movement when your tablet is in the holder, then try a different foam or combination of foams until it's tightly fitted. You can use just one foam or stack different foam pieces together for the best available fit.

7. Setting up Cable Management / Cable Routing



7A. Take the rubber component (B), insert into the holder arm (A) as shown above. Take the power cord and loop it into the rubber component as shown. While the tablet holder is in unlocked mode and arms extended out, insert your tablet aligning the charging port side with the charging power cord and plug in. Slide the arms back around the tablet until securely tightened afterwards. Set the holder into locked mode and lock with security key afterwards.

7B. Fish the power cord in the back as shown. Locate the clips at specific corners to hold the cord in place and then guide the cord out towards the outlet or whatever power source as needed.