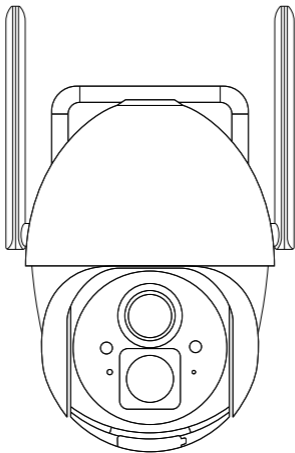


GYRATION[®]

Cyberview3020



**Smart PTZ Battery Camera
Solar Recharging Kit**

User manual

Packing list

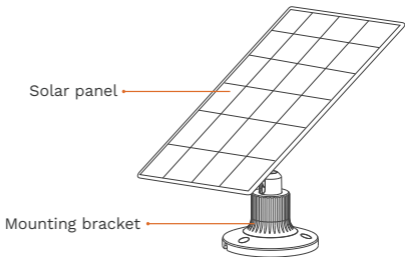
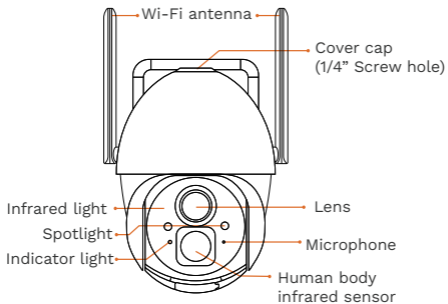
Camera:

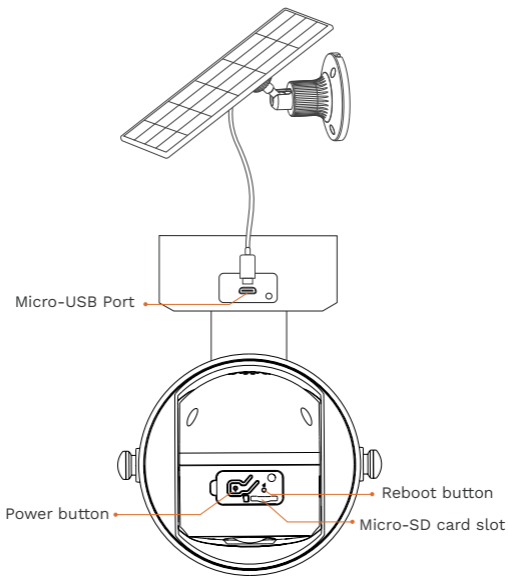
1. Camera ×1
2. Bracket ×1
3. Mounting kit ×1
4. USB charging cable ×1
5. Operation instruction ×1
6. Screw for bracket ×1
7. Solar Charger ×1

Solar panel:

1. Solar Panel ×1
2. Mounting bracket ×1
3. Mounting adapter ×1
4. Screws ×4
5. Wall Anchors ×3

Product appearance



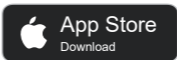
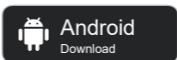


Quick start

The wireless smart battery camera supports battery powered supply and AC-powered supply.

1. Download and install the App

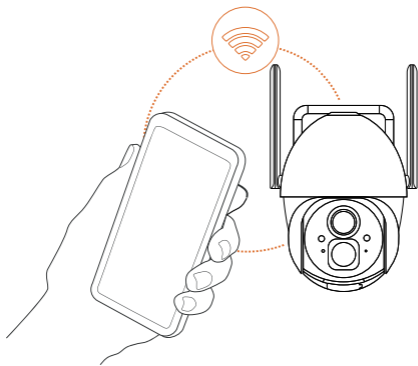
The wireless smart battery camera supports Android and iOS App. For your best experience, please scan the QR code below with your mobile phone, install the app, and follow the instruction to complete the user registration.



Scan QR code or go to the link to download and install the App: <https://www.cyberviewplus.com/download/>

2. Add the device

Sign in to App, connect to Wi-Fi and add the device according to the prompts (please bring the device close to the router when configuring).

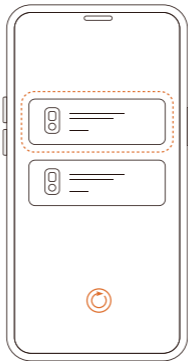


Power on/off and network configuration

- Long press the power button for 3s to power on/off the device.
- Double click the power button to enter the network configuration mode after the prompt tone.
- ❗ When connecting the camera for the first time, use the App and follow the instruction to configure the camera network.

Bind the camera

1) Click the "Add Now" button in the app, press and hold the camera switch button for 3 seconds to turn on the camera, and the app will automatically search for devices that are on and not bound. Select the device you want to bind in the search results for the next step.



2) Enter the name and password of the Wi-Fi network you want the camera to connect to. To ensure longdistance connection, the camera only supports 2.4GHz WiFi network with stronger wall penetration capability and does not support Wi-Fi with enterprise level authentication.

Please make sure that the Wi-Fi meets the requirements, click Next after completion, and the app can try to connect the camera to the Wi-Fi.



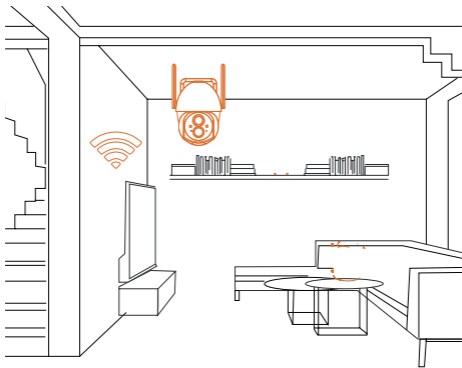
3) After a while, the camera will play a sound indicating that the connection is successful. At this point, please set a name for the camera on the app and select the location where you want to place the camera. Click Finish to complete the pairing.

❗ Possible problems with binding:

- When you hear the "**Wi-Fi Password Error**", please check whether the Wi-Fi password you entered in the App is correct.
- When you hear the "**Authentication error**", please ensure that your Wi-Fi network is not an enterprise-level network, and the device supports only the network with the security level below WPA-2.
- When you hear the "**Wi-Fi not found**", please check whether you select or enter the correct Wi-Fi name, and place the device near the Wi-Fi router and ensure that the router is powered on. Please note that 5Ghz Wi-Fi cannot be searched by the device.
- When you hear the "**Retrieving IP timeout**", it indicates that the number of devices connected to the router in your home is too many to connect more devices. Please remove some of the connected devices that are not commonly used or restart the router to clear the unconnected devices. You may need to contact the router administrator.
- When you hear the "**Cloud service connection fail**", please check whether your router is connected properly to the external network. When you hear this error prompt, it is common on the condition of network disconnection or that the selected router in your home is a local area network server. Please ensure that the network connection is normal, and try to temporarily turn off the firewall to connect again.

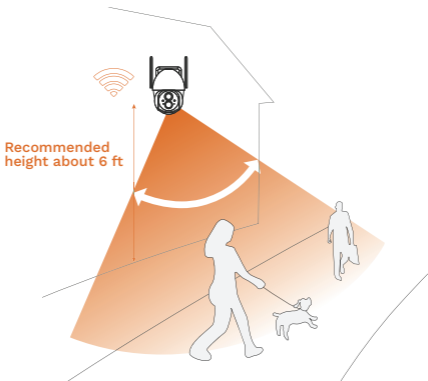
Install the camera

You can place the camera on a shelf or other surfaces to use, or you can install it on a wall to use.



(1) Select a good spot for your camera

Select a good spot for your camera, please install the camera in a position where its view is not blocked and ensure that it is within the coverage of the WiFi network. The PIR infrared sensor is more sensitive to movements across the camera's field of view than movements toward or away from the camera.

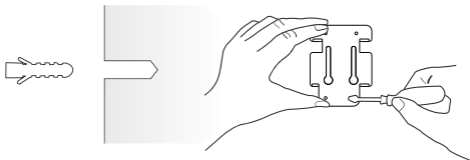


- ❗ For outdoor use, please install the camera upside down to maximize the waterproof performance and the human body infrared sensor's effectivity.

(2) Install the bracket

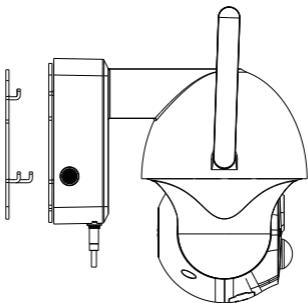
1) Fix the bracket

Fix the bracket to the desired location. You can directly place the bracket on a flat surface or fix it to a wall by screws.



2) Fix the camera

Put the product on the bracket from top to bottom until the trigger spring catches and locks, to disassemble, please press the button on the right side of the product first, and then take the product out of the bracket from bottom to top.

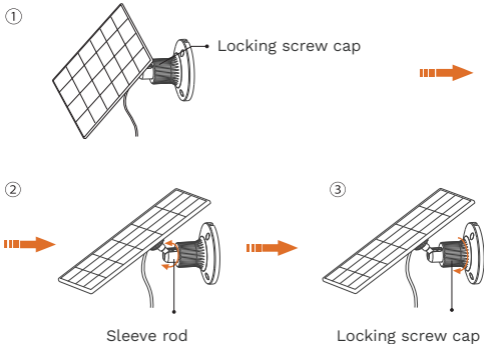


Install the solar panel

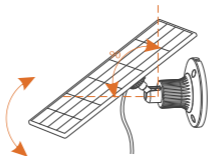
There are 2 ways to install the solar panel

1) On the wall:

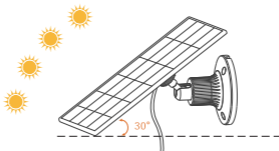
First loosen the locking screw. Then by turning the rod connected to the panel, set it towards the sunlight and finally, when the panel is in the right direction, tighten the locking screw.



Solar panel's angle can be adjusted up and down up to 90°.



Tip: After the installation is complete, please check that all locking mechanisms are tightly secured.

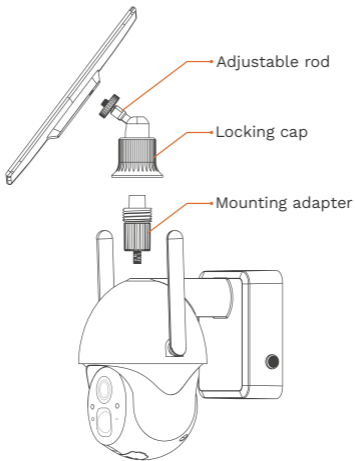


How to position your solar panel

- 1 Find the area that gets the most direct sunlight throughout the day
- 2 Angle the solar panel upward 30°.
- 3 Point it south if in the northern hemisphere and north if in the southern hemisphere.

2) On top of the camera:

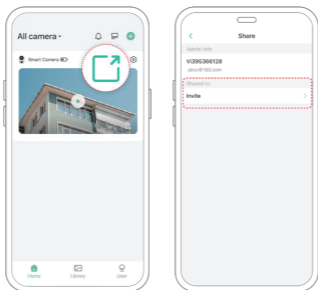
First, remove the cover cap on top of the PT Camera. Then tighten the base screw on top. Connect the solar panel to the adjustable rod and finally connect it to the base through the locking cap.



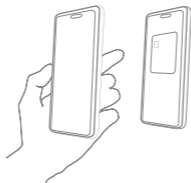
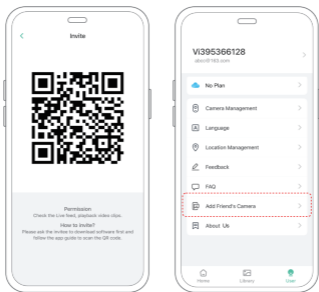
Share the camera

When you need to view the camera with other family members or friends, you can use this function. Only the administrator whose account is bound with the camera for the first time can share and set the device. Other members can only view the live or playbacks of the device.

- 1) Find the camera you want to share on the App homepage or camera setting page. Find the button and enter the sharing page.
- 2) Click "Invite", and a QR code will be generated for sharing.
- 3) For the members you need to share, find "Add Friend' s Camera" in the "User" page to enter the scanning page.



- 4) Scan the QR code on your mobile phone, and you will receive the confirmation notification after success. The sharing will be completed after you agree.



Charge the camera

App will remind you to charge your camera when the battery is low. Please use the Micro USB cable to plug into the 5V/1.5A charging adapter to charge the camera. During charging, the camera's indicator light is solid yellow, and when the camera is fully charged, the indicator light will turn into solid green. It will take 10 hours to fully charge the camera.

Indicator light status

Mode	Status
Working mode	Blue
Sleep mode	Off
Charging mode	Yellow
Fully charged mode	Green

Product specification

Item	Specification
Field of view	96° horizontal, 56° vertical
Image resolution	2304 X 1296
Video bit rate	Adaptive
Storage media	Micro SD card (Up to 128GB)
Rotation Angle	355° pan, 90° tilt
Battery capacity	9000mAh
Adapter requirement	5V/1.5A
Size	116×156×179 (mm)

Firmware upgrade

When you connect your camera through the App, it will prompt you if the latest firmware is available. You can also manually check the firmware upgrade in the settings of the App.

- ❗ Please make sure that your camera is fully charged or connected to the power adapter before upgrading the firmware, please do not cut off the power supply during the upgrading

FCC warning

This device complies with part 15 of the FCC Rules. Operation is subject to the following two conditions:

- (1) this device may not cause harmful interference.
- (2) this device must accept any interference received, including interference that may cause undesired operation. Any changes or modifications not expressly approved by the party responsible for compliance could void the user's authority to operate the equipment.

NOTE: This equipment has been tested and found to comply with the limits for a Class B digital device, pursuant to Part 15 of the FCC Rules. These limits are designed to provide reasonable protection against harmful interference in a residential installation. This equipment generates, uses and can radiate radio frequency energy and, if not installed and used in accordance with the instructions, may cause harmful interference to radio communications. However, there is no guarantee that interference will not occur in a particular installation. If this equipment does cause harmful interference to radio or television reception, which can be determined by turning the equipment off and on, the user is encouraged to try to correct the interference by one or more of the following measures:

Reorient or relocate the receiving antenna.

Increase the separation between the equipment and receiver.

Connect the equipment into an outlet on a circuit different from that to which the receiver is connected.

Consult the dealer or an experienced radio/TV technician for help. To maintain compliance with FCC's RF Exposure guidelines, this equipment should be installed and operated with minimum distance between 20cm the radiator your body: Use only the supplied antenna.

FAQ

1. Q:Camera permission management: How to invite family and friends to use my camera together?

A: Open the App and select your camera on the home page. Click the share button on the home page or the "Share" in the camera settings to enter the sharing page, and then click "Invite" to generate a QR code. Your friends can now get some of the access rights by scanning the QR code in your phone.

2. Q:Why doesn't the Wi-Fi name appear when I connect to Wi-Fi?

A: On Apple devices with iOS 13 and above, you need to turn on the "location permission" for the app in the system settings and change it to "allow when using".

3. Q:Will the camera show red lights when night vision is activated?

A: The built-in infrared lamp beads make the camera only show some dim red lights when night vision is activated, but the image quality is still clear under no light environment.

4. Q:What are the requirements for Wi-Fi?

A: Please use a 2.4GHz wireless network. The device does not support the 5GHz wireless network. Meanwhile, please set the Wi-Fi authentication method to WPA2-PSK or other lower level of security method. A password is required.

5. Q:How far should the camera be placed from the router?

A: After testing, the Wi-Fi connection distance can normally reach up to 150 meters in the open area. However, the actual situation depends on the strength of Wi-Fi and its surrounding environment (thick walls, electromagnetic devices, large metal objects will all cause interference to the Wi-Fi signals). If the camera connection signal is weak or unstable, please place the camera as close to the router as possible.

6. Q:What is the maximum length of recording time?

A: If you set the duration as "Auto", when someone occurs in the view of the camera, it will start recording a video for up to 3 minutes.

7. Q: How to quickly view videos by category?

A: Click the icon in the upper left corner of the "Library" page to start filtering videos by category. Select the category you want to see and then click "Save" to view the video playbacks.

8. Q: What should I do when the device is in malfunction?

A: Long press the power button to restart it. If there is no response, you can remove the rubber plug at the bottom of the camera. Press the reboot hole for 3 seconds with a pointed object to restart the camera.

Disclaimer and Safety Warnings

Copyright Statement

No part of this manual may be copied, reproduced, translated or distributed in any form by any means without prior content in writing from our company (referred to as us hereafter).

The product described in this manual may contain proprietary software owned by our company and its possible licensors. Unless permitted, no one is allowed to copy, distribute, modify, abstract, decompile, disassemble, decrypt, reverse engineer, rent, transfer, or sublicense the software in any form by any means.

Export Compliance Statement

Our company complies with applicable export control laws and regulations worldwide, including that of the People's Republic of China and the United States, and abides by relevant regulations relating to the export, re-export and transfer of hardware, software and technology. Regarding the product described in this manual, our company asks you to fully understand and strictly abide by the applicable export laws and regulations worldwide.

Privacy Protection Reminder

Our company complies with appropriate privacy protection laws and is committed to protecting user privacy. You may want to read our full privacy policy at our website and get to know the ways we process your personal information. Please be aware, using the product described in this manual may involve the collection of personal information such as face, fingerprint, license plate number, email, phone number, GPS. Please abide by your local laws and regulations while using the product.

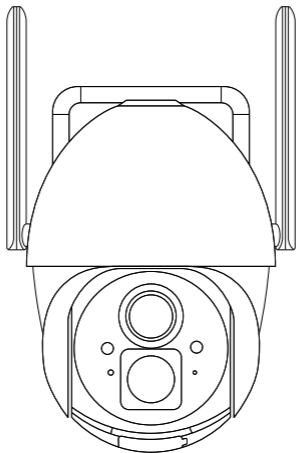
Power Requirements

- Installation and use of the device must be in strict accordance with your local electrical safety regulations.
- Use a UL certified power supply that meets LPS requirements if an adapter is used.
- Use the recommended cordset (power cord) in accordance with the specified ratings.
- Only use the power adapter supplied with your device.
- Use a mains socket outlet with a protective earthing (grounding) connection.
- Ground your device properly if the device is intended to be grounded.

Battery Use Caution

- When battery is used, avoid.
- High or low extreme temperatures during use, storage and transportation.
- Extremely low air pressure, or low air pressure at high altitude.
- Battery replacement.
- Use the battery properly. Improper use of the battery such as the following may cause risks of fire, explosion or leakage of flammable liquid or gas.
- Replace battery with an incorrect type.
- Dispose of a battery into fire or a hot oven, or mechanically crushing or cutting of a battery.
- Dispose the used battery according to your local regulations or the battery manufacturer's instructions.





**Caméra de batterie PTZ intelligente
Kit de recharge solaire**

Manuel de l'Utilisateur

Liste de colisage

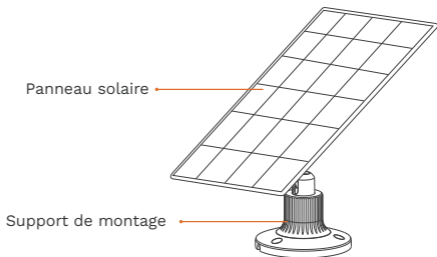
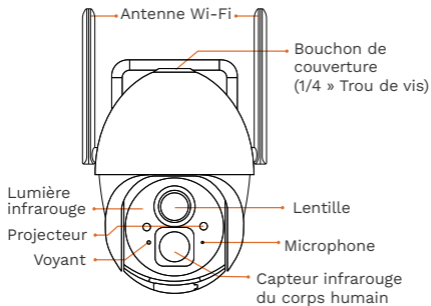
Caméra:

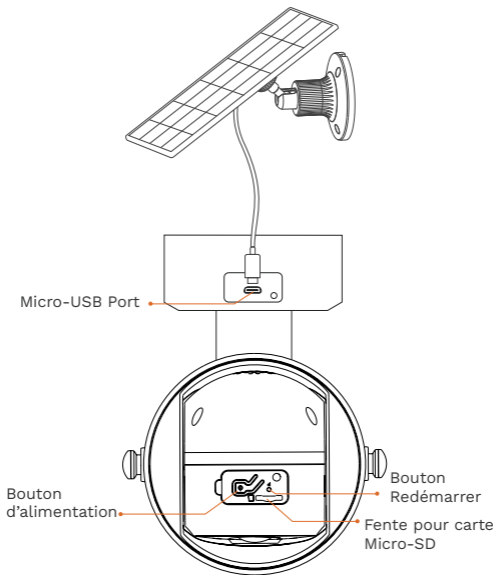
1. Caméra ×1
2. Crochet ×1
3. Kit de montage ×1
4. Câble de chargement USB ×1
5. Instruction d'utilisation ×1
6. Vis pour support ×1
7. Chargeur solaire ×1

Panneau solaire:

1. Panneau solaire ×1
2. Support de montage ×1
3. Adaptateur de montage ×1
4. Vis ×4
5. Ancrages muraux ×3

Apparence du produit



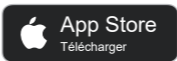
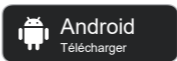


Démarrage rapide

La caméra à batterie intelligente sans fil prend en charge l'alimentation par batterie et l'alimentation par secteur

1. Téléchargez et installez l'application

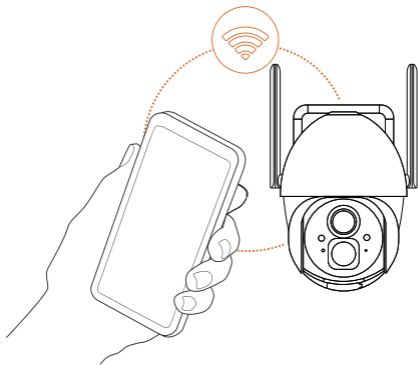
La caméra de batterie intelligente sans fil prend en charge les applications Android et iOS. Pour votre meilleure expérience, veuillez scanner le code QR ci-dessous et suivre les instructions pour terminer l'inscription de l'utilisateur.



Scannez le code QR ou accédez au lien pour télécharger et installer l'application: <https://www.cyberviewplus.com/download/>

2. Ajouter l'appareil

Connectez-vous à l'application, connectez-vous au Wi-Fi et ajoutez l'appareil en fonction des invites (veuillez rapprocher l'appareil du routeur lors de la configuration).

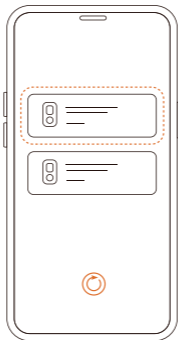


Allumer/éteindre et Configuration du réseau

- Appuyez longuement sur le bouton d'alimentation pendant 3s pour allumer / éteindre l'appareil.
- Double-cliquez sur le bouton d'alimentation pour entrer en mode de configuration réseau après la tonalité d'invite.
- ❗ Lorsque vous connectez la caméra pour la première fois, utilisez l'application et suivez les instructions pour configurer le réseau de caméras.

Lier la caméra

1) Cliquez sur le bouton « Ajouter maintenant » dans l'application, appuyez et maintenez l'appareil photo enfoncé basculez pendant 3 secondes pour allumer l'appareil photo, et l'application recherchez automatiquement les appareils qui sont allumés et non liés. Sélectionnez l'icône appareil que vous souhaitez lier dans les résultats de la recherche pour l'étape suivante.



2) Entrez le nom et le mot de passe du réseau Wi-Fi que vous souhaitez l'appareil photo auquel se connecter. Pour assurer une connexion longue distance, la caméra ne prend en charge que le réseau WiFi 2,4 GHz avec un mur plus fort Capacité de pénétration et ne prend pas en charge le Wi-Fi avec authentification au niveau

de l'entreprise. Veuillez vous assurer que le Wi-Fi répond aux normes , cliquez sur Suivant après l'achèvement et l'application peut essayer de connectez l'appareil photo au Wi-Fi.



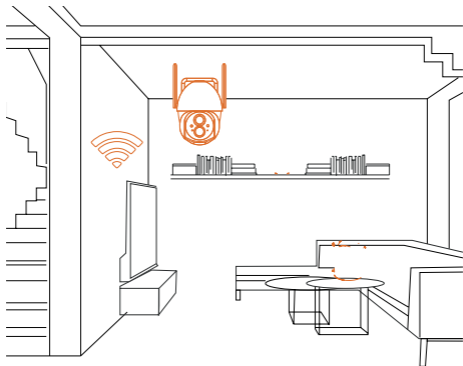
3) Après un certain temps, la caméra émettra un son indiquant que la connexion est réussie. À ce stade, veuillez définir un nom pour la caméra sur l'application et sélectionnez l'emplacement où vous souhaitez placer la caméra. Cliquez sur Terminer pour terminer le couplage.

❗ Problèmes possibles avec la liaison:

- Lorsque vous entendez le **«Erreur de mot de passe Wi-Fi»**, veuillez vérifier si le mot de passe Wi-Fi que vous avez entré dans l'application est correct.
- Lorsque vous entendez **«Erreur d'authentification»**, veuillez vous assurer que votre réseau Wi-Fi n'est pas un réseau de niveau entreprise et que l'appareil ne prend en charge que le réseau dont le niveau de sécurité est inférieur à WPA-2.
- Lorsque vous entendez le **«Wi-Fi introuvable»**, veuillez vérifier si vous sélectionnez ou entrez le nom Wi-Fi correct, placez l'appareil près du routeur Wi-Fi et assurez-vous que le routeur est allumé. Veuillez noter que le Wi-Fi 5Ghz ne peut pas être recherché par l'appareil.
- Lorsque vous entendez le **«Délai d'expiration de la récupération IP»**, Il indique que le nombre d'appareils connectés au routeur de votre maison est trop important pour connecter plus d'appareils. Veuillez retirer certains des périphériques connectés qui ne sont pas couramment utilisés ou redémarrer le routeur pour effacer les périphériques non connectés. Vous devrez peut-être contacter l'administrateur du routeur.
- Lorsque vous entendez le message **«Échec de la connexion au service cloud»**, Veuillez vérifier si votre routeur est correctement connecté au réseau externe. Lorsque vous entendez cette invite d'erreur, il est courant que le routeur sélectionné dans votre maison soit un serveur de réseau local. Assurez-vous que la connexion réseau est normale et essayez de désactiver temporairement le pare-feu pour vous reconnecter.

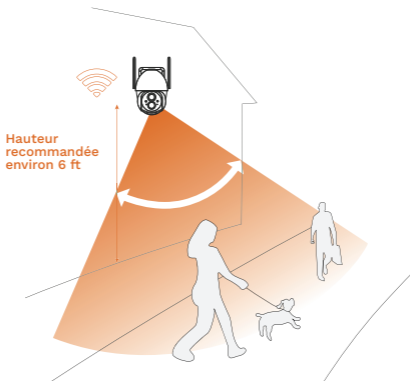
Installer la caméra

Vous pouvez placer la caméra sur une étagère ou d'autres surfaces à utiliser, ou vous pouvez l'installer sur un mur pour l'utiliser.



(1) Sélectionnez un bon endroit pour votre appareil photo

Sélectionnez un bon endroit pour votre caméra, veuillez installer la caméra dans une position où sa vue n'est pas bloquée et assurez-vous qu'elle est dans la couverture du réseau WiFi. Le capteur infrarouge PIR est plus sensible aux mouvements dans le champ de vision de la caméra qu'aux mouvements vers ou loin de la caméra.

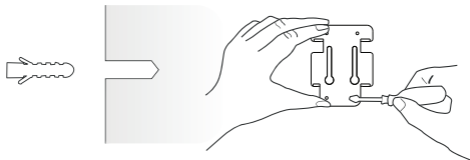


- ❗ Pour une utilisation en extérieur, veuillez installer la caméra à l'envers pour maximiser les performances d'étanchéité et l'efficacité du capteur infrarouge du corps humain.

(2) Installez le support

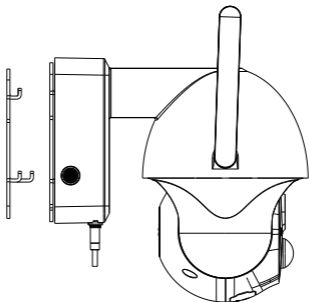
1) Fixez le support

Fixez le support à l'emplacement souhaité. Vous pouvez placer directement le support sur une surface plane ou le fixer à un mur par des vis.



2) Fixez la caméra

Placez le produit sur le support de haut en bas jusqu'à ce que le ressort de déclenchement s'accroche et se verrouille. Pour démonter, appuyez d'abord sur le bouton situé sur le côté droit du produit, puis retirez le produit du support de bas en haut.



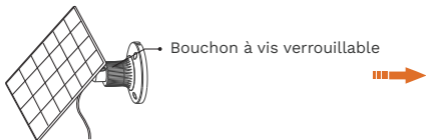
Installer le panneau solaire

Il y a 2 façons d'installer le panneau solaire

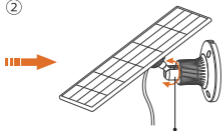
1) Sur le mur :

Desserrez d'abord la vis de verrouillage. Ensuite, en tournant la tige connectée au panneau, réglez-la vers la lumière du soleil et enfin, lorsque le panneau est dans la bonne direction, serrez la vis de verrouillage.

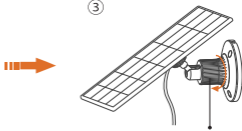
①



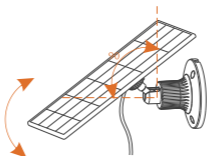
②



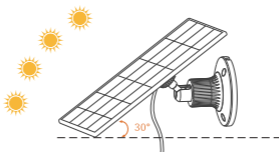
③



L'angle du panneau solaire peut être ajusté de haut en bas jusqu'à 90°.



Conseil: Une fois l'installation terminée, veuillez vérifier que tous les mécanismes de verrouillage sont bien fixés.

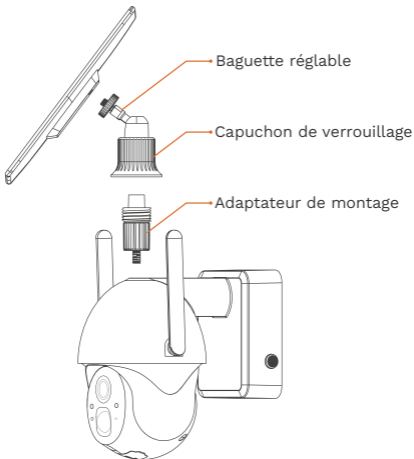


Comment positionner votre panneau solaire

- 1 Trouvez la zone qui reçoit le plus de lumière directe du soleil tout au long de la journée
- 2 Inclinez le panneau solaire vers le haut de 30°.
- 3 Pointez-le vers le sud si dans l'hémisphère nord et vers le nord si dans l'hémisphère sud.

2) Sur le dessus de la caméra:

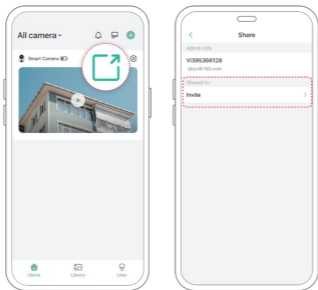
Tout d'abord, retirez le capuchon de couverture sur le dessus de la caméra PT. Serrez ensuite la vis de base sur le dessus. Connectez le panneau solaire à la tige réglable et enfin connectez-le à la base via le capuchon de verrouillage.



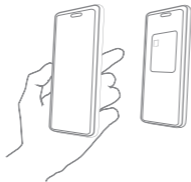
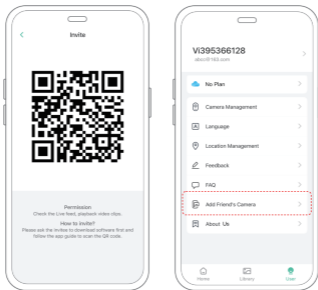
Partager la caméra

Lorsque vous devez voir la caméra avec d'autres membres de votre famille ou des amis, vous pouvez utiliser cette fonction. Seul l'administrateur dont le compte est lié à l'appareil photo pour la première fois peut partager et configurer l'appareil. Les autres membres ne peuvent voir que les enregistrements en direct ou en lecture de l'appareil.

- 1) Trouvez l'appareil photo que vous souhaitez partager sur la page d'accueil de l'application ou la page des paramètres de l'appareil photo. Trouvez le bouton et accédez à la page de partage.
- 2) Cliquez sur « Inviter », et un code QR sera généré pour le partage.
- 3) Pour les membres que vous devez partager, trouvez « Ajouter l'appareil photo d'un ami » dans la page « Utilisateur » pour accéder à la page de numérisation.



- 4) Scannez le code QR sur votre téléphone portable et vous recevrez la notification de confirmation après le succès. Le partage sera terminé après votre accord.



Chargez l'appareil photo

L'application vous rappellera de charger votre appareil photo lorsque la batterie est faible. Veuillez utiliser le câble Micro USB pour brancher l'adaptateur de charge 5V / 1.5A afin de charger l'appareil photo. Pendant la charge, le voyant lumineux de l'appareil photo est jaune fixe, et lorsque l'appareil photo est complètement chargé, le voyant devient vert fixe. Il faudra 10 heures pour charger complètement la caméra.

État du voyant lumineux

Mode	Statut
Mode de fonctionnement	Bleu
Mode veille	De
Mode de charge	Jaune
Mode complètement chargé	Vert

Spécifications du produit

Item	Specification
Champ de vision	96° horizontal, 56° vertical
Résolution de l'image	2304 X 1296
Débit binaire vidéo	Adaptatif
Supports de stockage	Carte Micro SD (jusqu'à 128 Go)
Angle de rotation	355° pan, 90° tilt
Capacité de la batterie	9000mAh
Requise pour l'adaptateur	5V/1.5A
Taille	116×156×179 (mm)

Mise à jour du firmware

Lorsque vous connectez votre caméra via l'application, elle vous invite si le dernier firmware est disponible. Vous pouvez également vérifier manuellement la mise à niveau du micrologiciel dans les paramètres de l'application.

- ❗ Assurez-vous que votre appareil photo est complètement chargé ou connecté à l'adaptateur secteur avant de mettre à niveau le firmware, veuillez ne pas couper l'alimentation pendant la mise à niveau

Avertissement de la FCC

Cet appareil est conforme à la partie 15 des règles de la FCC. L'exploitation est soumise aux deux conditions suivantes :

- (1) Cet appareil ne doit pas causer d'interférences nuisibles.
- (2) Cet appareil doit accepter toute interférence reçue, y compris les interférences pouvant provoquer un fonctionnement indésirable. Tout changement ou modification non expressément approuvé par la partie responsable de la conformité pourrait annuler le droit de l'utilisateur d'utiliser l'équipement.

NOTE: Cet équipement a été testé et jugé conforme aux limites d'un appareil numérique de classe B, conformément à la partie 15 des règles de la FCC. Ces limites sont conçues pour fournir une protection raisonnable contre les interférences nuisibles dans une installation résidentielle. Cet équipement génère, utilise et peut émettre de l'énergie radiofréquence et, s'il n'est pas installé et utilisé conformément aux instructions, peut causer des interférences nuisibles aux communications radio. Cependant, il n'y a aucune garantie qu'aucune interférence ne se produira dans une installation particulière. Si cet équipement provoque des interférences nuisibles à la réception de la radio ou de la télévision, ce qui peut être déterminé en éteignant et en rallumant l'équipement, l'utilisateur est encouragé à essayer de corriger les interférences par une ou plusieurs des mesures suivantes:

Réorientez ou déplacez l'antenne de réception.

Augmentez la séparation entre l'équipement et le récepteur.

Connectez l'équipement à une prise sur un circuit différent de celui auquel le récepteur est connecté.

Consultez le revendeur ou un technicien radio/TV expérimenté pour obtenir de l'aide.

Pour maintenir la conformité avec les directives d'exposition aux RF de la FCC, cet équipement doit être installé et utilisé avec une distance minimale entre 20 cm du radiateur de votre corps: Utilisez uniquement l'antenne fournie.

FAQ

1. Q: Gestion des autorisations de caméra: Comment inviter ma famille et mes amis à utiliser mon appareil photo ensemble?

R : Ouvrez l'application et sélectionnez votre appareil photo sur la page d'accueil. Cliquez sur le bouton de partage sur la page d'accueil ou sur « Partager » dans les paramètres de l'appareil photo pour accéder à la page de partage, puis cliquez sur « Inviter » pour générer un code QR. Vos amis peuvent maintenant obtenir certains des droits d'accès en scannant le code QR de votre téléphone.

2. Q: Pourquoi le nom Wi-Fi n'apparaît-il pas lorsque je me connecte au Wi-Fi?

R: Sur les appareils Apple dotés d'iOS 13 et supérieur, vous devez activer l'autorisation de localisation pour l'application dans les paramètres système et la modifier en « autoriser lors de l'utilisation ».

3. Q: La caméra affichera-t-elle des lumières rouges lorsque la vision nocturne est activée?

R: Les perles de lampe infrarouge intégrées font que la caméra n'affiche que quelques lumières rouges faibles lorsque la vision nocturne est activée, mais la qualité de l'image est toujours claire dans un environnement sans lumière.

4. Q: Quelles sont les exigences pour le Wi-Fi?

R : Veuillez utiliser un réseau sans fil 2,4 GHz. L'appareil ne prend pas en charge le réseau sans fil 5 GHz. Pendant ce temps, veuillez définir la méthode d'authentification Wi-Fi sur WPA2-PSK ou une autre méthode de niveau de sécurité inférieur. Un mot de passe est requis.

5. Q: À quelle distance la caméra doit-elle être placée du routeur?

R: Après les tests, la distance de connexion Wi-Fi peut normalement atteindre jusqu'à 150 mètres dans la zone ouverte. Cependant, la situation réelle dépend de la force du Wi-Fi et de son environnement (murs épais, appareils électromagnétiques, gros objets métalliques provoqueront tous des interférences aux signaux Wi-Fi). Si le signal de connexion de la caméra est faible ou instable, veuillez placer la caméra aussi près que possible du routeur.

6. Q: Quelle est la durée maximale d'enregistrement?

R: Si vous définissez la durée sur « Auto », lorsque quelqu'un apparaît dans la vue de la caméra, il commencera à enregistrer une vidéo pendant 3 minutes maximum.

7. Q: Comment visionner rapidement des vidéos par catégorie?

R : Cliquez sur l'icône dans le coin supérieur gauche de la page « Bibliothèque » pour commencer à filtrer les vidéos par catégorie. Sélectionnez la catégorie que vous souhaitez voir, puis cliquez sur « Enregistrer » pour afficher les lectures vidéo.

8. Q: Que dois-je faire en cas de dysfonctionnement de l'appareil?

R : Appuyez longuement sur le bouton d'alimentation pour le redémarrer. S'il n'y a pas de réponse, vous pouvez retirer le bouchon en caoutchouc au bas de l'appareil photo. Appuyez sur le trou de redémarrage pendant 3 secondes avec un objet pointu pour redémarrer l'appareil photo.

Avis de non-responsabilité et avertissements de sécurité

Déclaration de droit d'auteur

Aucune partie de ce manuel ne peut être copiée, reproduite, traduite ou distribuée sous quelque forme que ce soit par quelque moyen que ce soit sans contenu écrit préalable de notre société (ci-après dénommée nous). Le produit décrit dans ce manuel peut contenir un logiciel propriétaire appartenant à notre société et à ses éventuels concédants de licence. Sauf autorisation, personne n'est autorisé à copier, distribuer, modifier, faire abstraction, décompiler, désassembler, décrypter, désosser, louer, transférer ou sous-licencier le logiciel sous quelque forme que ce soit, par quelque moyen que ce soit.

Déclaration de conformité à l'exportation

Notre société se conforme aux lois et réglementations applicables en matière de contrôle des exportations dans le monde entier, y compris celles de la République populaire de Chine et des États-Unis, et respecte les réglementations pertinentes relatives à l'exportation, à la réexportation et au transfert de matériel, de logiciels et de technologies. En ce qui concerne le produit décrit dans ce manuel, notre société vous demande de bien comprendre et de respecter strictement les lois et réglementations applicables en matière d'exportation dans le monde entier.

Rappel sur la protection de la vie privée

Notre société se conforme aux lois appropriées sur la protection de la vie privée et s'engage à protéger la vie privée des utilisateurs. Vous voudrez peut-être lire notre politique de confidentialité complète sur notre site Web et apprendre à connaître la façon dont nous traitons vos informations personnelles. Veuillez noter que l'utilisation du produit décrit dans ce manuel peut impliquer la collecte d'informations personnelles telles que le visage, les empreintes digitales, le numéro de plaque d'immatriculation, l'e-mail, le numéro de téléphone, le GPS. Veuillez respecter les lois et réglementations locales lors de l'utilisation du produit.

Exigences en matière d'alimentation

- Utilisation de la batterie L'installation et l'utilisation de l'appareil doivent être strictement conformes aux réglementations locales en matière de sécurité électrique.
- Utilisez un bloc d'alimentation certifié UL qui répond aux exigences LPS si un adaptateur est utilisé.
- Utilisez le cordon recommandé (cordon d'alimentation) conformément aux valeurs nominales spécifiées.
- Utilisez uniquement l'adaptateur secteur fourni avec votre appareil.
- Utilisez une prise secteur avec une connexion de mise à la terre protectrice.
- Mettez votre appareil à la terre correctement s'il est destiné à être mis à la terre.

Prudence d'utilisation de la batterie

- Lorsque la batterie est utilisée, évitez.
- Températures extrêmes élevées ou basses pendant l'utilisation, l'entreposage et le transport.
- Pression d'air extrêmement basse, ou basse pression d'air à haute altitude.
- Remplacement de la batterie.
- Utilisez la batterie correctement. Une mauvaise utilisation de la batterie, telle que la suivante, peut entraîner des risques d'incendie, d'explosion ou de fuite de liquide ou de gaz inflammable.
- Remplacez la batterie par un type incorrect.
- Jeter une batterie dans un feu ou un four chaud, ou écraser ou couper mécaniquement une batterie.
- Jetez la batterie usagée conformément à la réglementation locale ou aux instructions du fabricant de la batterie.

