

AXIS T99A12 Positioning Unit 24 V AC/DC

Installation guide

English

EN

Français

FR

Deutsch

DE

Italiano

IT

Español

ES

日本語

JA

中文: 简体中文

ZH

Read this first

Read through this installation guide carefully before you install the product. Keep the installation guide for future reference.

Legal considerations

Video and audio surveillance can be regulated by laws that vary from country to country. Check the laws in your local region before using this product for surveillance purposes.

Liability

Every care has been taken in the preparation of this document. Please inform your local Axis office of any inaccuracies or omissions. Axis Communications AB cannot be held responsible for any technical or typographical errors and reserves the right to make changes to the product and manuals without prior notice. Axis Communications AB makes no warranty of any kind with regard to the material contained within this document, including, but not limited to, the implied warranties of merchantability and fitness for a particular purpose. Axis Communications AB shall not be liable nor responsible for incidental or consequential damages in connection with the furnishing, performance or use of this material. This product is only to be used for its intended purpose.

Intellectual property rights

Axis AB has intellectual property rights relating to technology embodied in the product described in this document. In particular, and without limitation, these intellectual property rights may include one or more of the patents listed at axis.com/patent and one or more additional patents or pending patent applications in the US and other countries.

Equipment modifications

This equipment must be installed and used in strict accordance with the instructions given in the user documentation. This equipment contains no user-serviceable components. Unauthorized equipment changes or modifications will invalidate all applicable regulatory certifications and approvals.

Trademark acknowledgements

AXIS COMMUNICATIONS, AXIS, ARTPEC and VAPIX are registered trademarks of Axis AB in various jurisdictions. All other trademarks are the property of their respective owners.

Regulatory information

Europe



This product complies with the applicable CE marking directives and harmonized standards:

- Electromagnetic Compatibility (EMC) Directive 2014/30/EU. See *Electromagnetic compatibility (EMC) on page 4*.
- Low Voltage Directive (LVD) 2014/35/EU. See *Safety on page 5*.
- Restriction of Hazardous Substances (RoHS) Directive 2011/65/EU and 2015/863, including any amendments, updates or replacements. See .

A copy of the original declaration of conformity may be obtained from Axis Communications AB. See *Contact information on page 5*.

Electromagnetic compatibility (EMC)

This equipment has been designed and tested to fulfill applicable standards for:

- Radio frequency emission when installed according to the instructions and used in its intended environment.
- Immunity to electrical and electromagnetic phenomena when installed according to the instructions and used in its intended environment.

USA

This device complies with part 15 of the FCC Rules. Operation is subject to the following two conditions:

1. This device may not cause harmful interference, and
2. this device must accept any interference received, including interference that may cause undesired operation.

This equipment has been tested using a shielded network cable (STP) and found to comply with the limits for a Class A digital device, pursuant to part 15 of the FCC Rules. These limits are designed to provide reasonable protection against harmful interference when the equipment is operated in a commercial environment. This equipment generates, uses, and can radiate radio frequency energy and, if not installed and used in accordance with the instruction manual, may cause harmful interference to radio communications. Operation of this equipment in a residential area is likely to cause harmful interference in which case the user will be required to correct the interference at his own expense. The product shall be connected using a shielded network cable (STP) that is properly grounded.

Contact information

Axis Communications Inc.
300 Apollo Drive
Chelmsford, MA 01824
United States of America
Tel: +1 978 614 2000

Canada

This digital apparatus complies with CAN ICES-3 (Class A). The product shall be connected using a shielded network cable (STP) that is properly grounded. Cet appareil numérique est conforme à la norme CAN NMB-3 (classe A). Le produit doit être connecté à l'aide d'un câble réseau blindé (STP) qui est correctement mis à la terre.

Europe

This digital equipment fulfills the requirements for RF emission according to the Class A limit of EN 55032. The product shall be connected using a shielded network cable (STP) that is properly grounded. Notice! This is a Class A product. In a domestic environment this product may cause RF interference, in which case the user may be required to take adequate measures.

Australia/New Zealand

This digital equipment fulfills the requirements for RF emission according to the Class A limit of AS/NZS CISPR 32. The product shall be connected using a shielded network cable (STP) that is properly grounded. Notice! This is a Class A product. In a domestic environment this product may cause RF interference, in which case the user may be required to take adequate measures.

Japan

この装置は、クラスA機器です。この装置を住宅環境で使用すると電波妨害を引き起こすことがあります。この場合には使用者が適切な対策を講ずるよう要求されることがあります。

VCCI - A

本製品は、シールドネットワークケーブル(STP)を使用して接続してください。また適切に接地してください。

本製品は電気通信事業者(移動通信会社、固定通信会社、インターネットプロバイダ等)の通信回線(公衆無線LANを含む)に直接接続することができません。本製品をインターネットに接続する場合は、必ずルータ等を経由し接続してください。

Korea

이 기기는 업무용 환경에서 사용할 목적으로 적합성평가를 받은 기기로서 가정용 환경에서 사용하는 경우 전파간섭의 우려가 있습니다. 적절히 접지된 STP (shielded twisted pair) 케이블을 사용하여 제품을 연결하십시오.

Safety

This product complies with IEC/EN/UL 62368-1, safety of audio/video and IT equipment and IEC/EN/UL 60950-22, Safety of Information Technology Equipment. The product shall be grounded using both the protective earth wire in the power cable and the grounding braid. Make sure both ends of the protective earth wire and the grounding braid are in contact with their respective grounding surfaces.

The power supply used with this product shall have a rated output voltage within voltage range of 20-28 V AC/DC, and a max current rating of 10.5 A.

The power supply used with this product shall fulfill one of the following requirements:

- Safety Extra Low Voltage (SELV) according to clause 2.2 of IEC/EN/UL 60950-1
- Class 1 electrical energy source (ES1) according to IEC/EN/UL 62368-1

We recommend the use of Axis power supply DIN PS24 480 W.

When this product has reached the end of its useful life, dispose of it according to local laws and regulations. For information about your nearest designated collection point, contact your local authority responsible for waste disposal. In accordance with local legislation, penalties may be applicable for incorrect disposal of this waste.

Europe



This symbol means that the product shall not be disposed of together with household or commercial waste. Directive 2012/19/EU on waste electrical and electronic equipment (WEEE) is applicable in the European Union member states. To prevent potential harm to human health and the environment, the product must be disposed of in an approved and environmentally safe recycling process. For information about your nearest designated collection point, contact your local authority responsible for waste disposal. Businesses should contact the product supplier for information about how to dispose of this product correctly.

This product complies with the requirements of Directive 2011/65/EU and 2015/863 on the restriction

of the use of certain hazardous substances in electrical and electronic equipment (RoHS).

China



This product complies with the requirements of SJ/T 11364-2014, Marking for the restriction of hazardous substances in electrical and electronic products.

有毒有害物质或元素						
部件名称	铅 (Pb)	汞 (Hg)	镉 (Cd)	六价铬 (Cr-VI)	多溴联苯 (PB-B)	多溴二苯醚 (PB-DE)
电气实装部分	X	0	0	0	0	0
<p>0: 表示该有毒有害物质在该部件均质材料中的含量均在GB/T 26572标准规定的限量要求以下。</p> <p>X: 表示该有毒有害物质至少在该部件的某一均质材料中的含量超出GB/T 26572标准规定的限量要求。</p>						

Contact information

Axis Communications AB

Gränden 1

223 69 Lund

Sweden

Tel: +46 46 272 18 00

Fax: +46 46 13 61 30

axis.com

Warranty information

For information about Axis' product warranty and thereto related information, go to axis.com/warranty.

Support

Should you require any technical assistance, please contact your Axis reseller. If your questions cannot be answered immediately, your reseller will forward your queries through the appropriate channels to ensure a rapid response. If you are connected to the Internet, you can:

- find answers to resolved problems in the FAQ database, search by product, category, or phrase
- report problems to Axis support staff by logging in to your private support area
- chat with Axis support staff
- visit Axis Support at axis.com/support

Learn more!

Visit Axis learning center axis.com/learning for useful trainings, webinars, tutorials and guides.

Safety information

Hazard levels

⚠ DANGER

Indicates a hazardous situation which, if not avoided, will result in death or serious injury.

⚠ WARNING

Indicates a hazardous situation which, if not avoided, could result in death or serious injury.

⚠ CAUTION

Indicates a hazardous situation which, if not avoided, could result in minor or moderate injury.

NOTICE

Indicates a situation which, if not avoided, could result in damage to property.

Other message levels

Important

Indicates significant information which is essential for the product to function correctly.

Note


Indicates useful information which helps in getting the most out of the product.

Safety instructions


⚠ DANGER

Risk of electric shock. All cables shall be de-energized before installing or performing maintenance on the product.

⚠ CAUTION

 Moving parts. Risk of injury. Keep your body parts away from the product when it's in operation. Disconnect from power supply before installing or performing maintenance on the product.

⚠ CAUTION

 Hot surface. Risk of injury. Don't touch the product when it's in operation. Disconnect from power supply and allow the surfaces to cool before performing maintenance on the product.

NOTICE

- The Axis product shall be used in compliance with local laws and regulations.
- Store the Axis product in a dry and ventilated environment.
- Avoid exposing the Axis product to shocks or heavy pressure.
- Do not install the product on unstable poles, brackets, surfaces or walls.

AXIS T99A12 Positioning Unit 24 V AC/DC

- Use only applicable tools when installing the Axis product. Using excessive force with power tools could cause damage to the product.
- Do not use chemicals, caustic agents, or aerosol cleaners.
- Use a clean cloth dampened with pure water for cleaning.
- Use only accessories that comply with the technical specification of your product. These can be provided by Axis or a third party. Axis recommends using Axis power source equipment compatible with your product.
- Use only spare parts provided by or recommended by Axis.
- Do not attempt to repair the product yourself. Contact Axis support or your Axis reseller for service matters.
- Use a yellow/green colored grounding cable of at least 0.5 mm² or 20 AWG.

Transportation

NOTICE

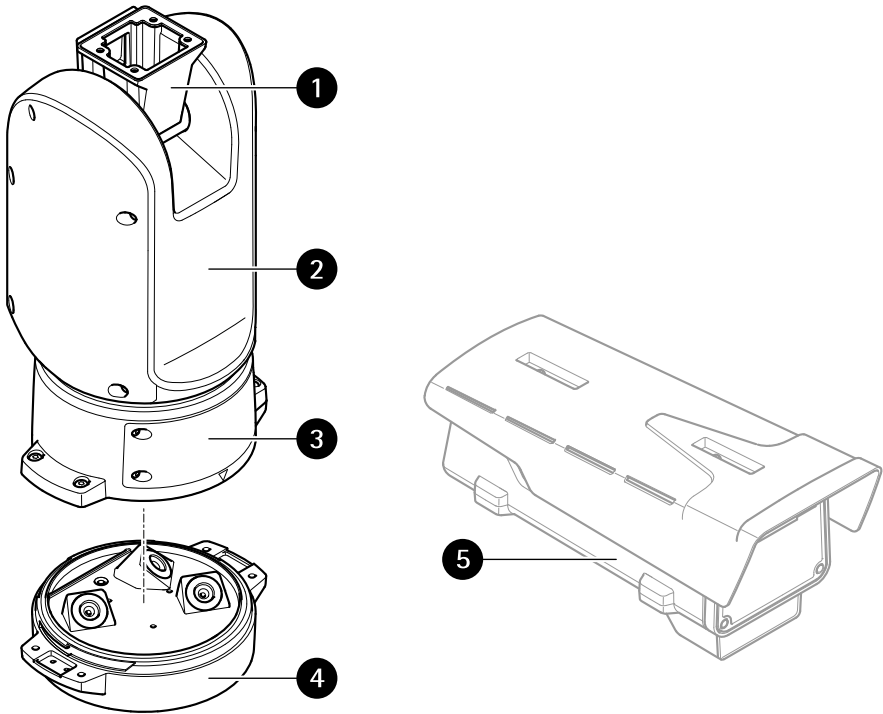
- When transporting the Axis product, use the original packaging or equivalent to prevent damage to the product.

Package contents

- Positioning unit
- Power connector
- I/O connector
- Torx® bit T20 (long) and T30

AXIS T99A12 Positioning Unit 24 V AC/DC

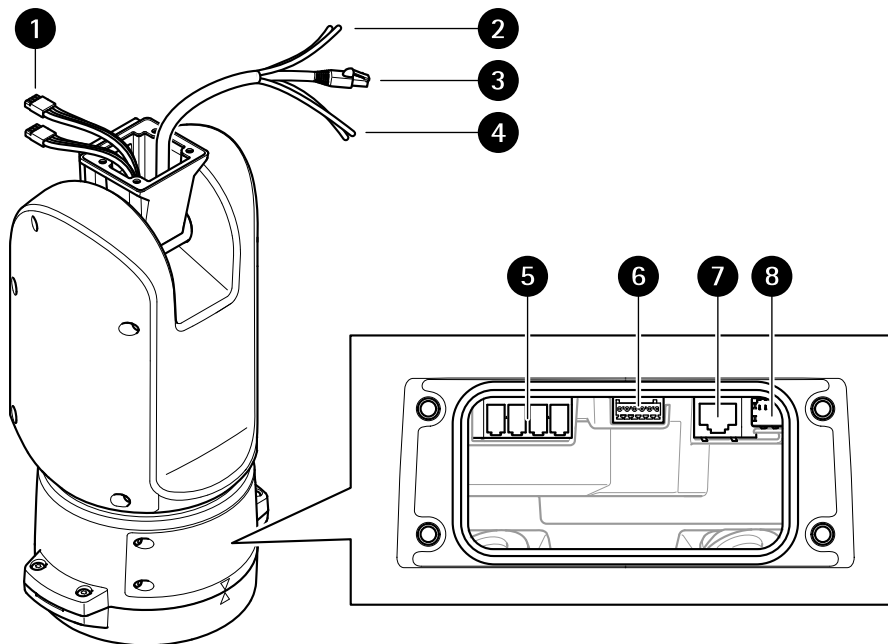
Product overview



- 1 Positioning unit (tilt)
- 2 Positioning unit (pan)
- 3 Lid
- 4 Base unit
- 5 Camera (not included)

AXIS T99A12 Positioning Unit 24 V AC/DC

EN



- 1 *Illuminator cables (not to be used)*
- 2 *Camera power cable*
- 3 *Camera network cable*
- 4 *Camera serial interface cable*
- 5 *Input power connector*
- 6 *I/O connector*
- 7 *RJ45 connector*
- 8 *SFP slot for SFP module (SFP module not included)*

AXIS T99A12 Positioning Unit 24 V AC/DC

How to install the product

⚠ DANGER

Risk of electric shock. All cables shall be de-energized before installing the product.

⚠ CAUTION

The electrical connections and conduit installations shall be made by a certified electrician and in compliance with local regulations.

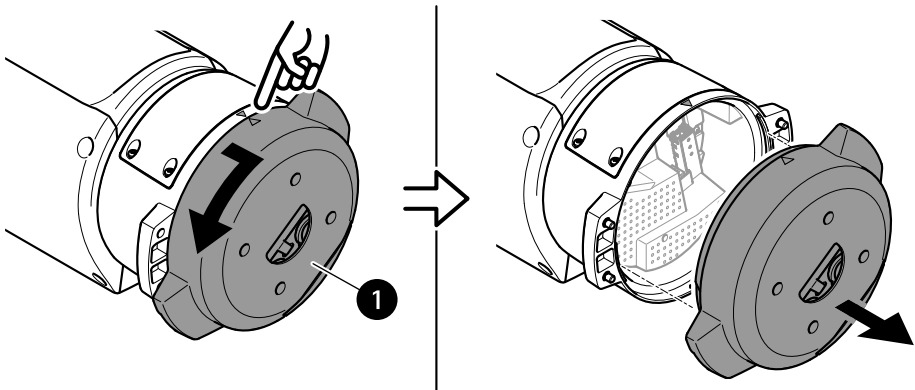
⚠ CAUTION

⚠ Risk of injury. Moving parts. Keep your body parts away from the product when in operation. Disconnect from power supply before installing or performing maintenance on the product.

⚠ CAUTION

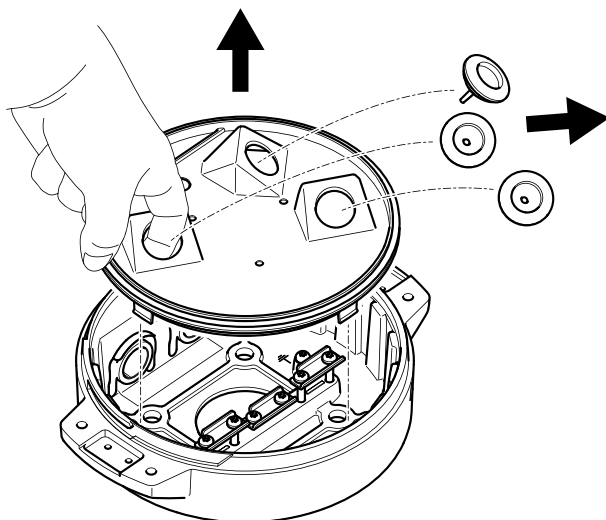
⚠ Risk of injury. Hot surface. Do not touch the product when in operation. Disconnect from power supply and allow the surfaces to cool before performing maintenance on the product.

Mount the base unit



1 Base unit

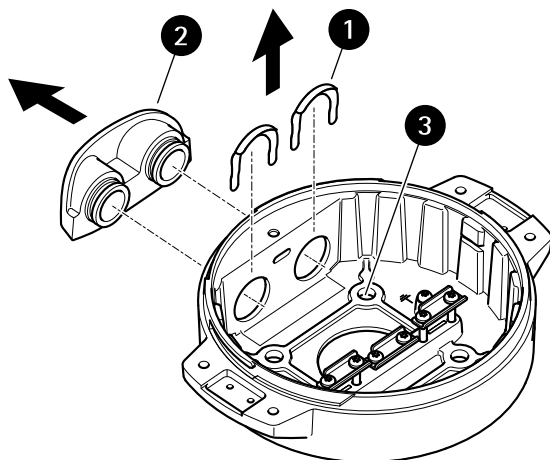
1. Remove the four base unit screws (T30).
2. Simultaneously pull and turn the base unit counterclockwise until the arrows on the base unit and the rest of the positioning unit align.
3. Remove the base unit.



NOTICE

Do not use sharp tools when you remove the transparent base unit cover.

4. Remove the transparent base unit cover.



- 1 Conduit cover clip
- 2 Conduit cover

AXIS T99A12 Positioning Unit 24 V AC/DC

3 Screw hole (x4)

5. For conduit installations only: remove the two conduit cover clips followed by the conduit cover.
6. Attach the base unit to the mounting surface with appropriate fasteners in the four screw holes.

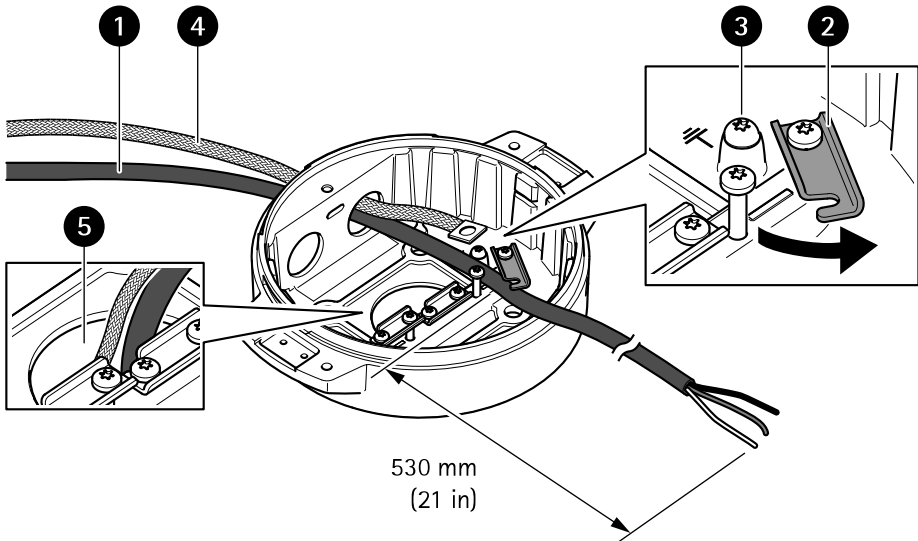
Route the cables

⚠WARNING

Risk of electric shock. The product shall be grounded using both the protective grounding wire in the power cable and the grounding braid. Make sure both ends of the protective grounding wire and the grounding braid are in contact with their respective grounding surfaces.

Important

Use only cables that comply with the specified cable area. For more information, see *Cable thickness* on page 28.

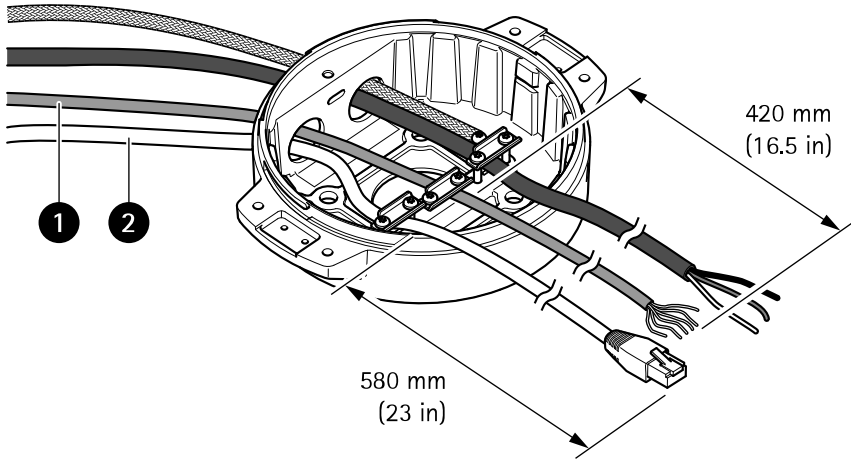


- 1 Power cable (not included)
- 2 Strain relief
- 3 Grounding screw
- 4 Grounding braid (not included)
- 5 Bottom cable hole

AXIS T99A12 Positioning Unit 24 V AC/DC

EN

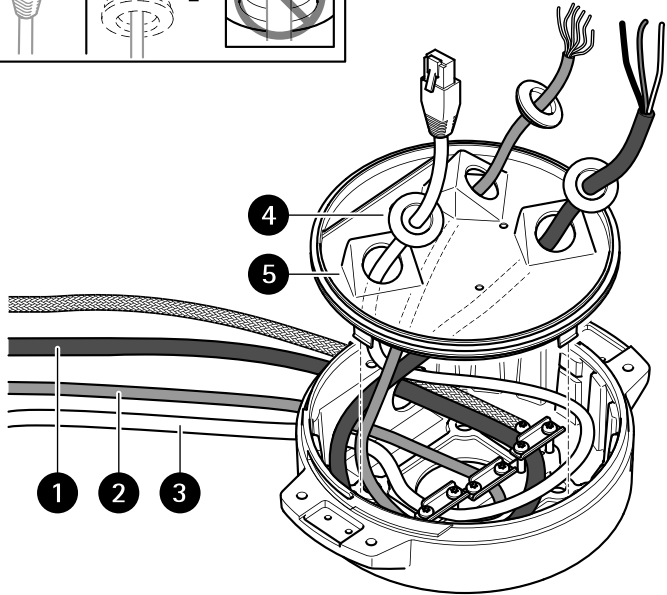
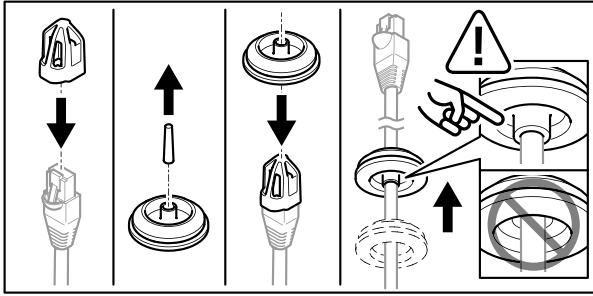
1. Install the optional conduit adapters (not included).
2. Connect the grounding braid to the grounding screw.
3. Insert the power cable, I/O cable and network cable through the hole in the base unit as shown in the illustration above. Alternatively insert them through the bottom cable hole.
4. Insert the power cable through the strain relief with a distance of 530 mm (21 in) from the strain relief to the end of the cable.



- 1 I/O cable (optional, not included)
- 2 Network cable (not included)

5. Insert the I/O cable (optional) through the strain relief with a distance of 420 mm (16.5 in) from the strain relief to the end of the cable.
6. Insert the network cable (optical fiber cable and/or RJ45 cable) through the strain relief with a distance of 580 mm (23 in) from the strain relief to the end of the connector. For more information on different network connectivity options, see *Install the network link* on page 18.
7. Close and tighten the three strain reliefs.

AXIS T99A12 Positioning Unit 24 V AC/DC



- 1 Power cable (not included)
- 2 I/O cable (optional, not included)
- 3 Network cable (not included)
- 4 Cable gasket
- 5 Transparent base unit cover

8. Fit cable gaskets on the cables. See *Cable thickness* on page 28.
9. Insert the power, I/O and network cables including the cable gaskets through the holes in the transparent base unit cover and arrange the cables as shown in the illustration above.

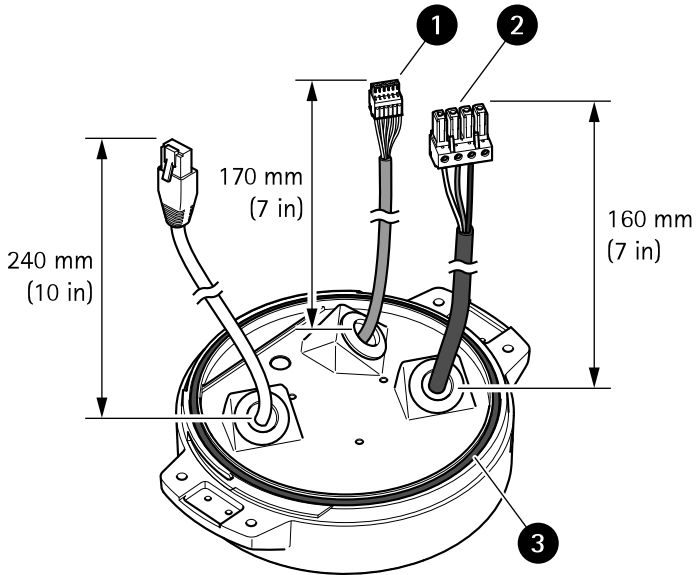
NOTICE

If you use both an optical fibre cable and an RJ45 cable for network connectivity, route the optical fibre cable through the same cable gasket as the I/O cable. Apply a sealant between the cables and the cable gasket to prevent leakage. For more information on different network connectivity options, see *Install the network link* on page 18.

AXIS T99A12 Positioning Unit 24 V AC/DC

EN

10. Place the transparent base unit cover on the base unit and fit the cable gaskets inside the holes.



- 1 I/O connector
- 2 Power connector
- 3 O-ring

NOTICE

To not accidentally disconnect the unit from power if the cable is pulled, let the protective grounding wire be about 10 mm (0.4 in) longer than the other two wires (in the power cable).

Note

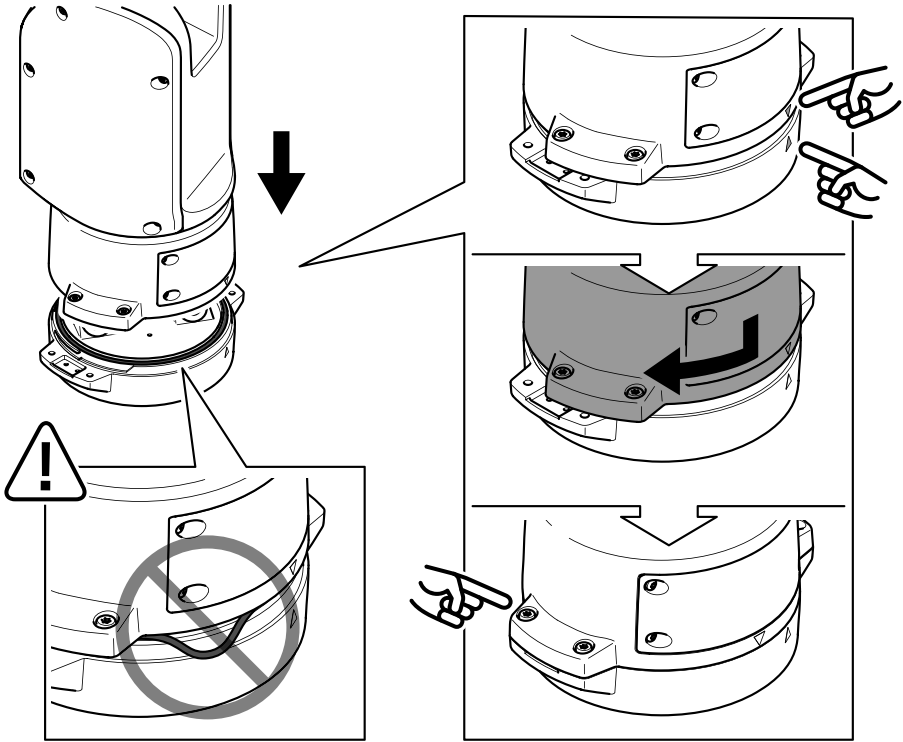
To make the installation as easy as possible, we recommend you to strip approximately 90 mm (3.5 in) of the power cable jacket and 70 mm (2.8 in) of the I/O cable jacket.

11. Install the power and I/O connectors.
12. Adjust the network, I/O and power cables so that the distance from the cable gasket to the end of the connector is 240 mm (10 in), 170 mm (7 in), and 160 mm (7 in) respectively.

NOTICE

Make sure that the O-ring is fitted correctly around the transparent base unit cover.

AXIS T99A12 Positioning Unit 24 V AC/DC

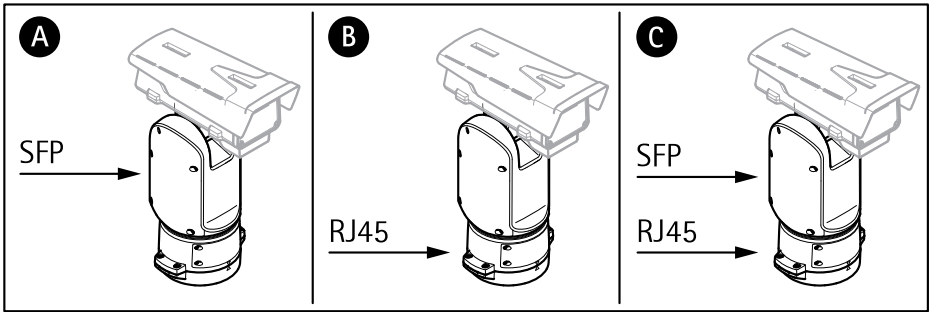


13. Place the positioning unit on the base unit. Make sure that the arrows on the two units are aligned.
14. Turn the positioning unit clockwise back to its original position and tighten the four base unit screws (torque 3.0 Nm).

NOTICE

Make sure that the cables don't get pinched when you assemble the two units.

Install the network link



You can choose between different options when you install the network link:

- A: via an optical fiber or RJ45 cable connected to the SFP module (with a respective connector) in the SFP slot.
- B: via an RJ45 cable connected to the fixed RJ45 connector.
- C: via both of the above, in which case the SFP module connection functions as the primary network link, and the fixed RJ45 connection functions as the fail-over link.

For more information on network connector locations, see *Product overview on page 10*.

Note

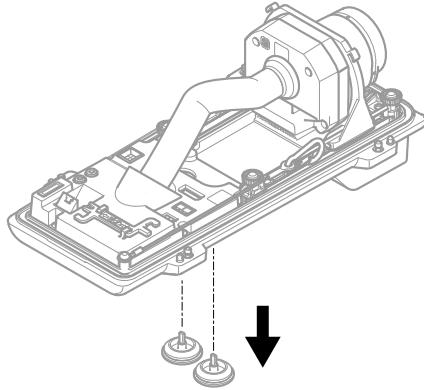
- SFP module is not included. For more information on available SFP modules, see axis.com
- If you install a network link only via the optical fiber cable using the respective SFP module, it works as a stand-alone solution for long range cabling installations.

Install the camera

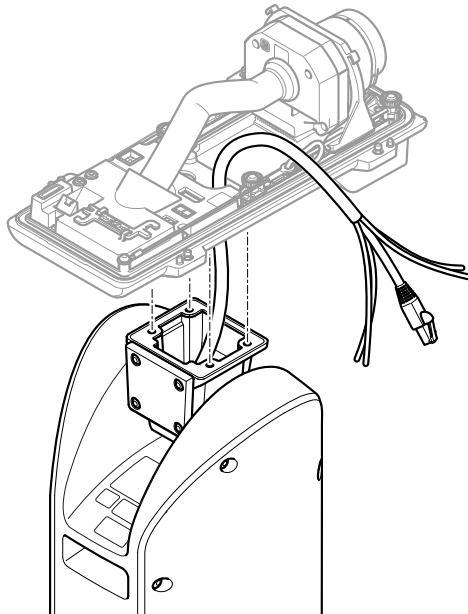
NOTICE

- This product supports several camera models. For a complete list of supported cameras, see the product page at axis.com.
- For instructions on how to open the camera cover, see the camera's installation guide.

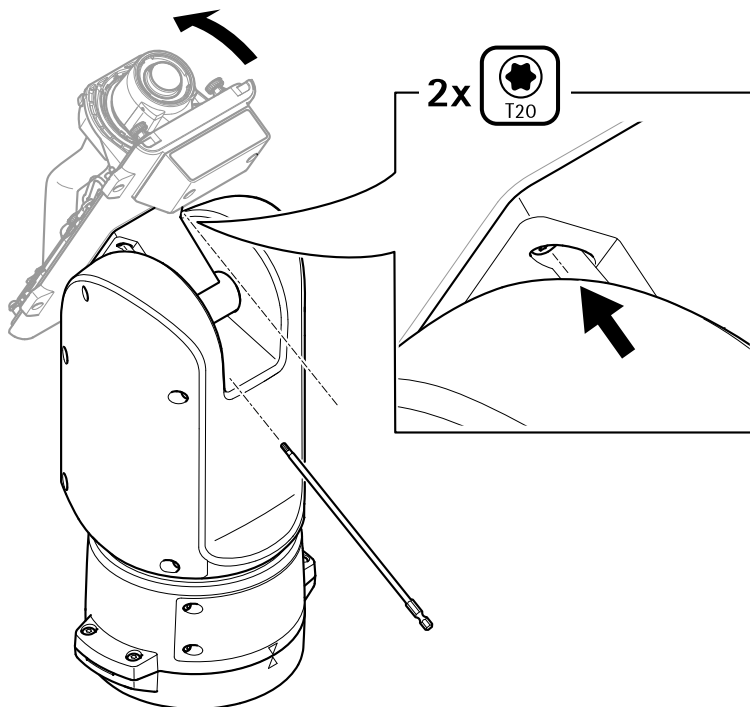
AXIS T99A12 Positioning Unit 24 V AC/DC



1. Remove the cable gaskets from the camera's bottom cover.

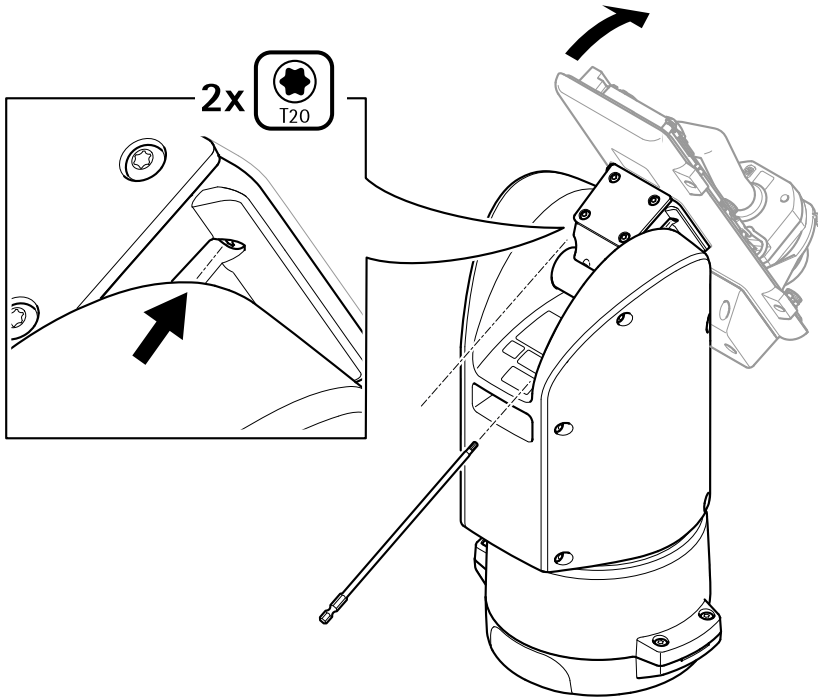


2. Insert the network/power/serial interface cable through the holes in the bottom cover.
3. Fit the bottom cover on the positioning unit.



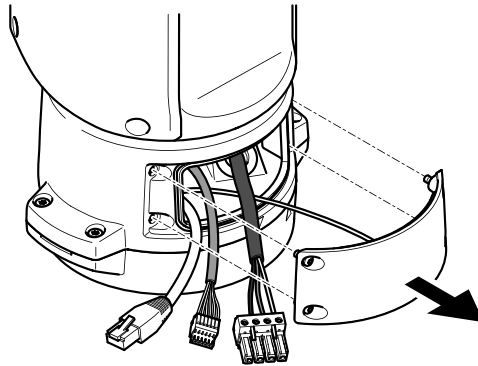
4. Tilt the bottom cover backward to its end position and tighten the two front screws of the positioning unit (T20, torque 3.0 Nm).

AXIS T99A12 Positioning Unit 24 V AC/DC

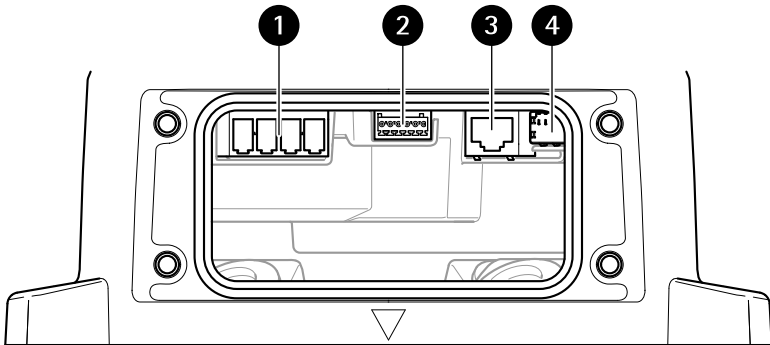


5. Tilt the bottom cover forward to its end position and tighten the two rear screws of the positioning unit (T20, torque 3.0 Nm).
6. Connect the camera network, serial interface and power cables according to the camera's installation guide. For more information on cable specifications, see *Camera power cable on page 28* and *Camera serial interface cable on page 28*.
7. Finalize the camera installation according to the camera's installation guide.

Connect the cables



1. Loosen the four lid screws (T20) and remove the lid.



- 1 *Input power connector*
- 2 *I/O connector*
- 3 *RJ45 connector*
- 4 *SFP slot for SFP module (SFP module not included)*

2. Connect the network (optical fibre and/or RJ45), I/O and power cables. For more information on different network connectivity options, see *Install the network link on page 18*.
3. Return the lid to its position and tighten the four lid screws (torque 3.0 Nm).
4. Remove the protective cover.
5. Apply power to the product.

Select the PTZ driver

1. Go to the camera's webpage.
2. Go to **System > Accessories > PTZ**.
3. If your camera supports both PTZ drivers and digital PTZ, select PTZ mode **Mechanical**.
4. Select the driver **ATP** and click **Save**.
5. Go to the **PTZ** tab and check that the pan-tilt settings are available.

Specifications

Connectors

Network connector

RJ45 Ethernet connector.

SFP connector.

NOTICE

The product shall be connected using a shielded network cable (STP) or an optical fiber cable. All cables connecting the product to the network shall be intended for their specific use. Make sure that the network devices are installed in accordance with the manufacturer's instructions. For information about regulatory requirements, see *Electromagnetic compatibility (EMC) on page 4.*

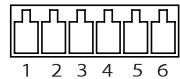
I/O connector

Digital input – For connecting devices that can toggle between an open and closed circuit, for example PIR sensors, door/window contacts, and glass break detectors.

Digital output – For connecting external devices such as relays and LEDs. Connected devices can be activated by the VAPIX® Application Programming Interface, through an event or from the product's webpage.

A digital light sensor – For receiving a value of the ambient light intensity from an external light sensor. This is used to control the product's day and night functionality.

6-pin configurable terminal block

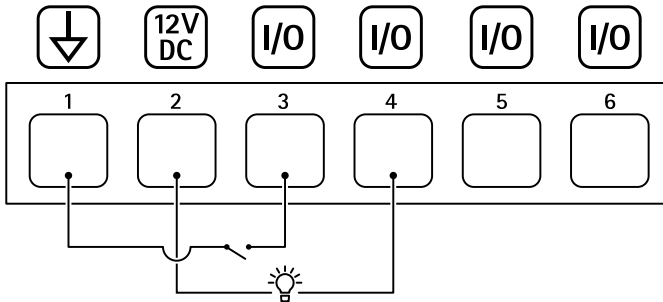


Function	Pin	Notes	Specifications
DC ground	1		0 V DC
DC output	2	Can be used to power auxiliary equipment. Note: This pin can only be used as power out.	12 V DC Max load = 50 mA

AXIS T99A12 Positioning Unit 24 V AC/DC

Configurable (Input or Output)	3-6	Digital input – Connect to pin 1 to activate, or leave floating (unconnected) to deactivate.	0 to max 30 V DC
		Digital output – Internally connected to pin 1 (DC ground) when active, and floating (unconnected) when inactive. If used with an inductive load, e.g., a relay, connect a diode in parallel with the load, to protect against voltage transients.	0 to max 30 V DC, open drain, 100 mA

Example



- 1 DC ground
- 2 DC output 12 V, max 50 mA
- 3 I/O configured as input
- 4 I/O configured as output
- 5 Configurable I/O
- 6 Configurable I/O

Power connector

4-pin terminal block for power input.

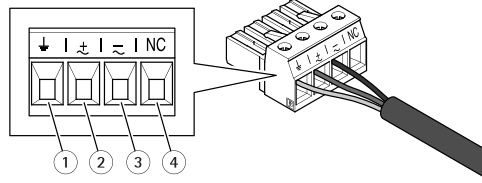
24 V AC/DC power connector

NOTICE

This section is valid for products powered by 24 V AC and 24 V DC only.

AXIS T99A12 Positioning Unit 24 V AC/DC

EN



This table is only valid for the 24 V AC and the 24 V DC power connectors.

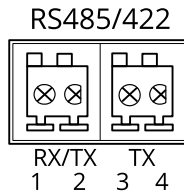
Position	24 V AC	24 V DC
1	Protective earth	Protective earth
2	24 V AC Phase	+ 24 V
3	24 V AC Neutral	0 V
4	Not connected	Not connected

RS485/RS422 connector

Two 2-pin terminal blocks for RS485/RS422 serial interface used to control auxiliary equipment such as pan-tilt devices.

The serial port can be configured to support:

- Two-wire RS485 half duplex
- Four-wire RS485 full duplex
- Two-wire RS422 simplex
- Four-wire RS422 full duplex point to point communication



Function	Pin	Notes
RS485/RS422 RX/TX A	1	(RX) For full duplex RS485/RS422 (RX/TX) For half duplex RS485
RS485/RS422 RX/TX B	2	

AXIS T99A12 Positioning Unit 24 V AC/DC

RS485/RS422 TX A	3	(TX) For full duplex RS485/RS422
RS485/RS422 TX B	4	

Cables

Cable thickness

The cable diameter, when using cable gaskets provided with the product, should be in the range of 5 to 11 mm (0.2 to 0.4 in).

NOTICE

- Use cables that keep within the specified cable area
- Select cables in compliance with your local regulations
- Make sure all cable holes are properly sealed
- Use cable gaskets or cable glands that match both the cable hole and the cable area

For information about accessories, such as cable gaskets and cable glands that allow for other cable areas, see www.axis.com

Camera serial interface cable

Cable color	Specification
White	RS485A
Green	RS485B

Camera power cable

Cable color	Specification
Red	+ 24 V DC
Black	0 V

Informations sur la sécurité

Niveaux de risques

▲DANGER

Indique une situation dangereuse qui, si elle n'est pas évitée, entraînera le décès ou des blessures graves.

▲AVERTISSEMENT

Indique une situation dangereuse qui, si elle n'est pas évitée, pourrait entraîner le décès ou des blessures graves.

▲ATTENTION

Indique une situation dangereuse qui, si elle n'est pas évitée, pourrait entraîner des blessures légères ou modérées.

REMARQUE

Indique une situation qui, si elle n'est pas évitée, pourrait endommager l'appareil.

Autres niveaux de message

Important

Indique les informations importantes, nécessaires pour assurer le bon fonctionnement de l'appareil.

Remarque


Indique les informations utiles qui permettront d'obtenir le fonctionnement optimal de l'appareil.

Consignes de sécurité


▲DANGER

Risque de choc électrique. Tous les câbles doivent être mis hors tension avant l'installation ou une intervention de maintenance sur le produit.

▲ATTENTION

 Pièces mobiles. Risque de blessure. Restez à l'écart du produit lorsqu'il est fonctionnant. Débranchez l'alimentation électrique avant d'installer le produit ou d'effectuer son entretien.

▲ATTENTION

 Surfaces chaudes. Risque de blessure. Ne touchez pas le produit lorsqu'il est en cours de fonctionnement. Débranchez l'alimentation électrique et laissez les surfaces refroidir avant d'effectuer l'entretien du produit.

REMARQUE

- Le produit Axis doit être utilisé conformément aux lois et règlements locaux.
- Conserver ce produit Axis dans un environnement sec et ventilé.

AXIS T99A12 Positioning Unit 24 V AC/DC

- Ne pas exposer ce produit Axis aux chocs ou aux fortes pressions.
- Ne pas installer ce produit sur des poteaux, supports, surfaces ou murs instables.
- Utiliser uniquement des outils recommandés pour l'installation de l'appareil Axis. L'application d'une force excessive sur l'appareil avec des outils puissants pourrait l'endommager.
- Ne pas utiliser de produits chimiques, de substances caustiques ou de nettoyeurs pressurisés.
- Utiliser un chiffon propre imbibé d'eau pure pour le nettoyage.
- Utiliser uniquement des accessoires conformes aux caractéristiques techniques de votre produit. Ils peuvent être fournis par Axis ou un tiers. Axis recommande d'utiliser un équipement d'alimentation Axis compatible avec votre produit.
- Utiliser uniquement les pièces de rechange fournies ou recommandées par Axis.
- Ne pas essayer de réparer vous-même ce produit. Contacter l'assistance technique d'Axis ou votre revendeur Axis pour des problèmes liés à l'entretien.
- Utilisez un câble de mise à la terre de couleur jaune/vert d'au moins 0,5 mm² ou 20 AWG.

Transport

REMARQUE

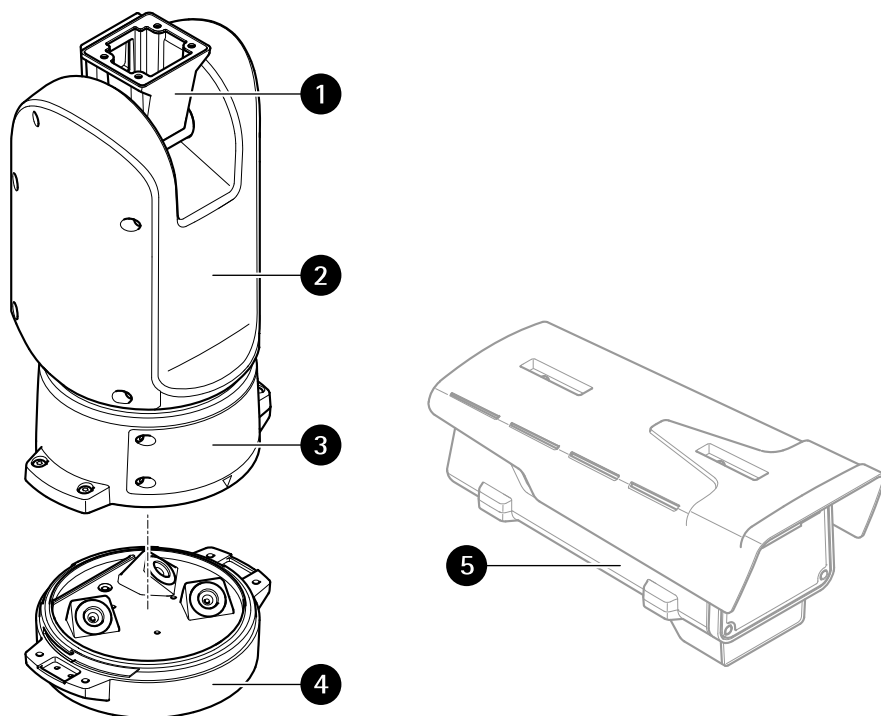
- Lors du transport du produit Axis, utilisez l'emballage d'origine ou un équivalent pour éviter d'endommager le produit.

Contenu de l'emballage

- Unité de positionnement
- Connecteur d'alimentation
- Connecteur d'E/S
- Embout Torx® T20 (long) et T30

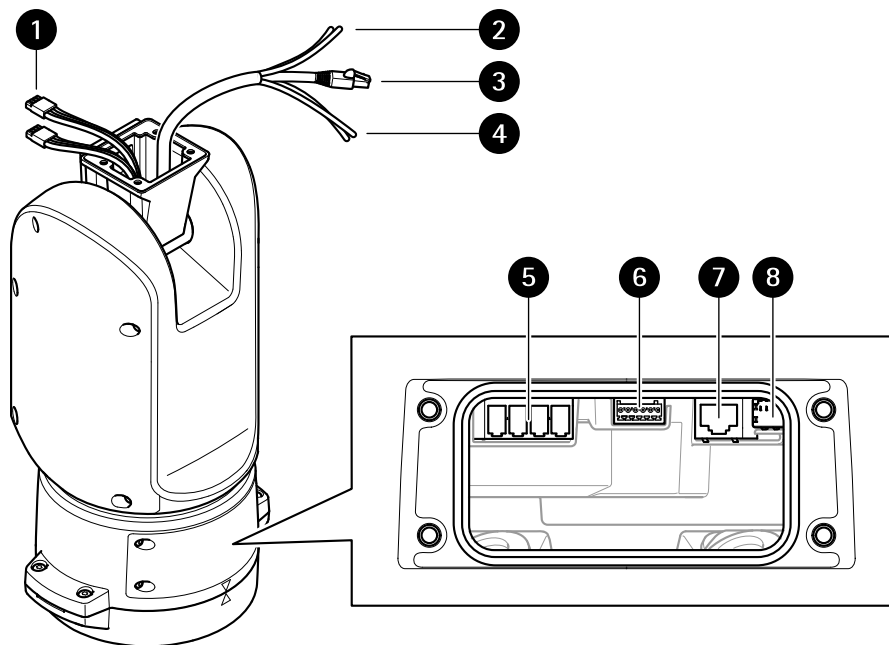
AXIS T99A12 Positioning Unit 24 V AC/DC

Vue d'ensemble du produit



- 1 *Unité de positionnement (inclinaison)*
- 2 *Unité de positionnement (panoramique)*
- 3 *Opercule*
- 4 *Unité de base*
- 5 *Caméra (non incluse)*

AXIS T99A12 Positioning Unit 24 V AC/DC



FR

- 1 Câbles de projecteur (ne doivent pas être utilisés)
- 2 Câble électrique de la caméra
- 3 Câble réseau de la caméra
- 4 Câble interface série de la caméra
- 5 Connecteur d'alimentation d'entrée
- 6 Connecteur d'E/S
- 7 Connecteur RJ45
- 8 Emplacement SFP pour module SFP (module SFP non inclus)

Comment installer le produit

⚠ DANGER

Risque de choc électrique. Tous les câbles doivent être hors tension avant d'installer le produit.

⚠ ATTENTION

Les connexions électriques et les installations de conduites doivent être effectuées par un électricien certifié et conformément aux réglementations locales.

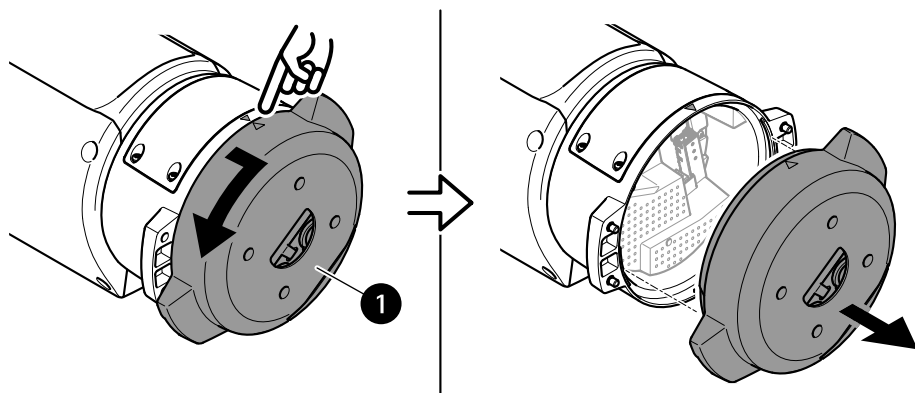
⚠ ATTENTION

⚠ Risques de blessures. Pièces mobiles. Restez à l'écart du produit lorsqu'il est en cours de fonctionnement. Débranchez l'alimentation électrique avant d'installer le produit ou d'effectuer son entretien.

⚠ ATTENTION

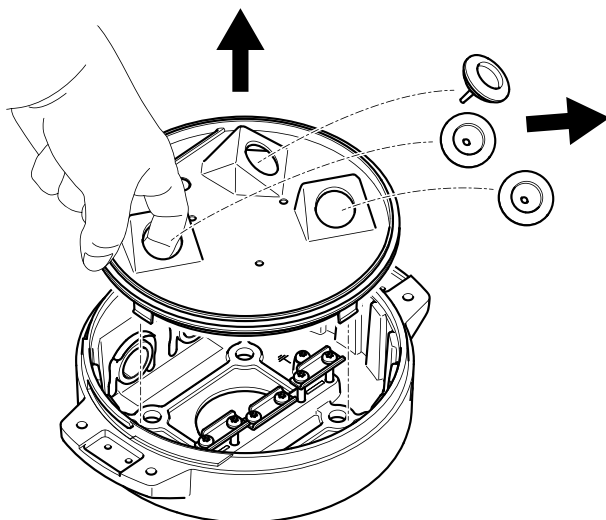
⚠ Risques de blessures. Surfaces chaudes. Ne touchez pas le produit lorsqu'il est en cours de fonctionnement. Débranchez l'alimentation électrique et laissez les surfaces refroidir avant d'effectuer l'entretien du produit.

Montage de l'unité de base



1 Unité de base

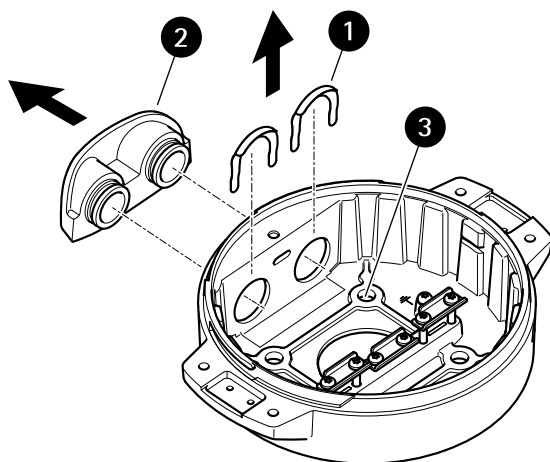
1. Déposer les quatre vis de l'unité (T30).
2. Tirez et tournez simultanément l'unité de base dans le sens anti-horaire jusqu'à ce que les flèches sur l'unité de base et le reste de l'unité de positionnement s'alignent.
3. Déposez l'unité de base.



REMARQUE

N'utilisez pas d'outils tranchants lorsque vous déposez le couvercle transparent de l'unité de base.

4. Déposez le couvercle transparent de l'unité de base.



1 Clip du cache de conduit

AXIS T99A12 Positioning Unit 24 V AC/DC

- 2 *Cache de conduit*
- 3 *Trou de vis (x4)*

5. Pour des installations de conduit uniquement : déposez les deux clips du cache de conduit suivis par le cache du conduit.
6. Fixez l'unité de base à la surface de montage avec les éléments de fixation appropriés dans les quatre trous de vis.

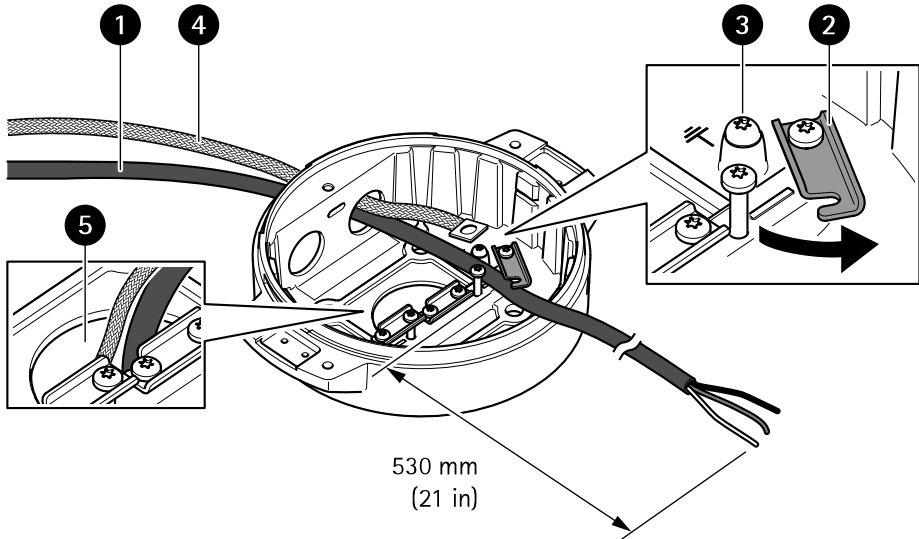
Acheminement des câbles

⚠ AVERTISSEMENT

Risque de choc électrique. Le produit doit être mis à la terre à l'aide du câble de mise à la terre de protection du câble d'alimentation et de la tresse de terre. Assurez-vous que les deux extrémités du câble de mise à la terre de protection et la tresse de terre sont en contact avec les surfaces de mise à la terre correspondantes.

Important

Utilisez uniquement des câbles conformes à la zone spécifiée. Pour en savoir plus, consultez *Épaisseur du câble à la page 50*.

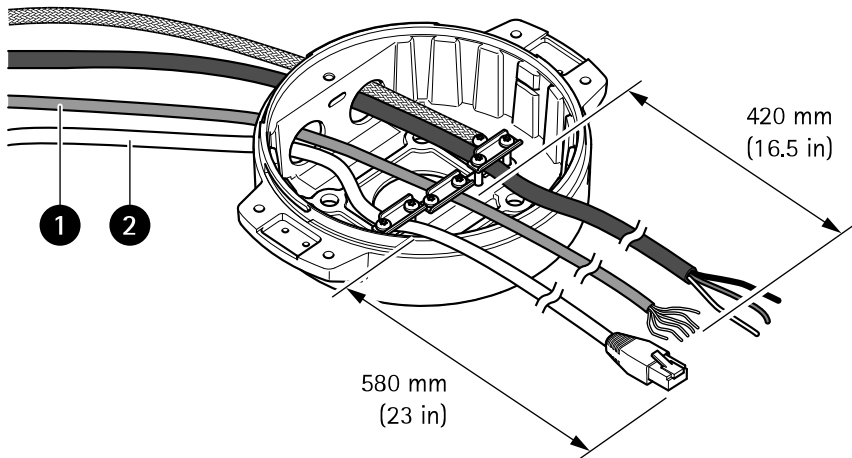


- 1 *Câble d'alimentation (non fourni)*
- 2 *Réducteur de tension*
- 3 *vis de mise à la terre*
- 4 *Tresse de terre (non fournie)*

5 passage du câble inférieur

1. Installez les adaptateurs de conduit en option (non fournis).
2. Reliez la tresse de terre à la vis de mise à la terre.
3. Insérez le câble d'alimentation, le câble d'E/S et le câble réseau à travers l'orifice de l'unité de base comme illustré ci-dessus. Vous pouvez aussi les insérer dans l'orifice du câble inférieur.
4. Insérez le câble d'alimentation à travers le réducteur de tension avec une distance de 530 mm (21 po) depuis le réducteur de tension jusqu'à l'extrémité du câble.

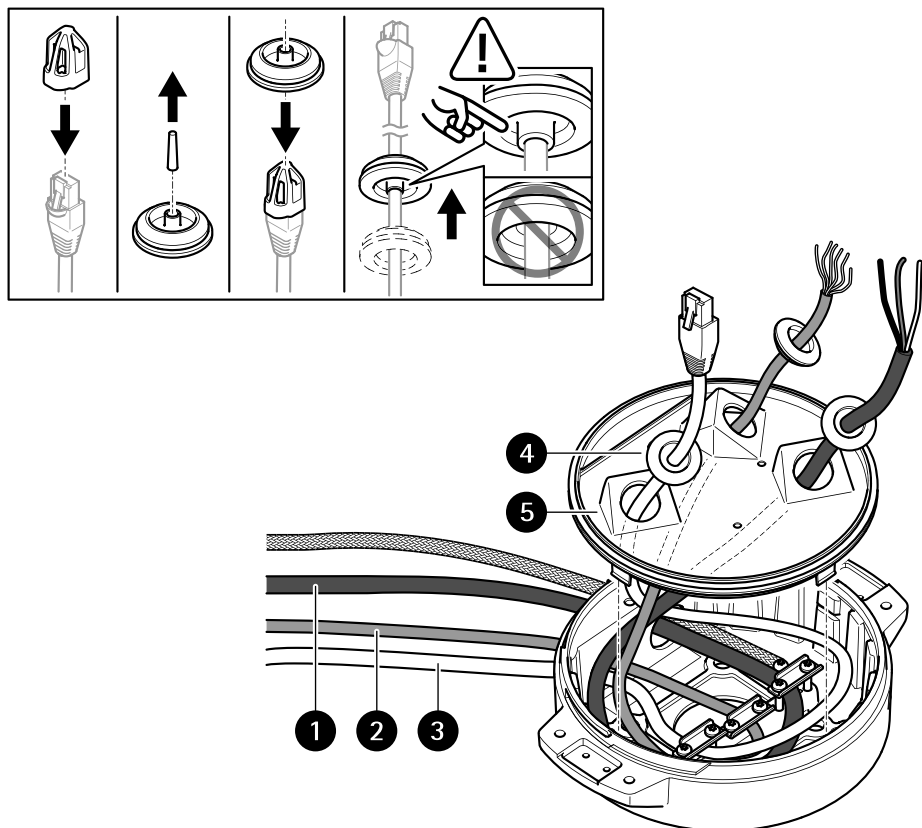
FR



- 1 Câble E/S (en option, non fourni)
- 2 Câble réseau (non inclus)

5. Insérez le câble d'E/S (en option) à travers le réducteur de tension avec une distance de 420 mm (16,5 po) depuis le réducteur de tension jusqu'à l'extrémité du câble.
6. Insérez le câble réseau (câble fibre optique et/ou câble RJ45) à travers le réducteur de tension avec une distance de 580 mm (23 po) depuis le réducteur de tension jusqu'à l'extrémité du connecteur. Pour plus d'informations sur les différentes options de connectivité réseau, consultez *Installation de la liaison réseau à la page 40*.
7. Fermez et serrez les trois reliefs de traction.

AXIS T99A12 Positioning Unit 24 V AC/DC



- 1 Câble d'alimentation (non inclus)
- 2 Câble E/S (en option, non fourni)
- 3 Câble réseau (non inclus)
- 4 Joint de câble
- 5 Couvercle transparent de l'unité de base

8. Placez les joints sur les câbles. Cf. *Épaisseur du câble à la page 50.*
9. Insérez les câbles d'alimentation, d'E/S et réseau y compris les joints à travers les orifices du couvercle transparent de l'unité de base et disposez les câbles comme illustré ci-dessus.

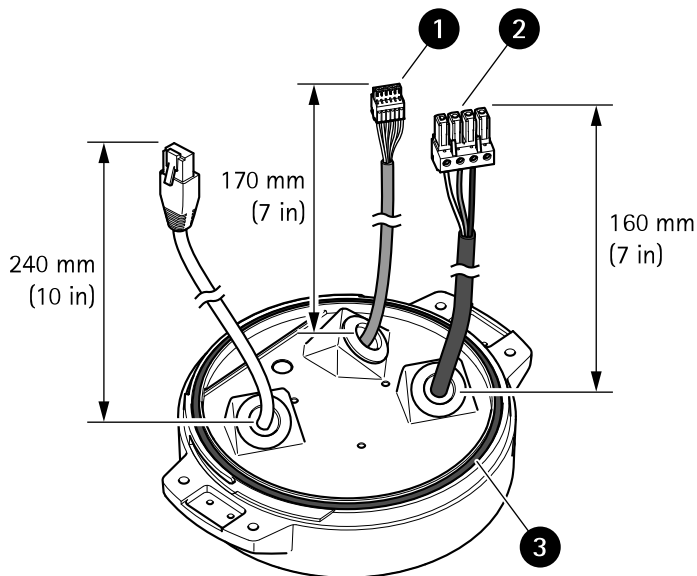
REMARQUE

Si vous utilisez un câble à fibre optique et un câble RJ45 pour la connectivité réseau, acheminez le câble à fibre optique à travers le même joint que le câble d'E/S. Appliquez un joint entre les câbles et le joint de câble pour empêcher toute fuite. Pour plus

AXIS T99A12 Positioning Unit 24 V AC/DC

d'informations sur les différentes options de connectivité réseau, consultez *Installation de la liaison réseau* à la page 40.

10. Placez le couvercle transparent de l'unité de base sur celle-ci et placez les joints dans les orifices.



- 1 Connecteur d'E/S
- 2 Connecteur d'alimentation
- 3 Joint torique

REMARQUE

Pour ne pas débrancher accidentellement l'unité de l'alimentation électrique si le câble est tiré, le câble de mise à la terre de protection doit être plus long d'environ 10 mm (0,4 po) que les deux autres fils (dans le câble d'alimentation).

Remarque

Pour faciliter l'installation, nous vous recommandons de dénuder environ 90 mm (3,5 po) de la gaine du câble d'alimentation et 70 mm (2,8 po) de la gaine de câble d'E/S.

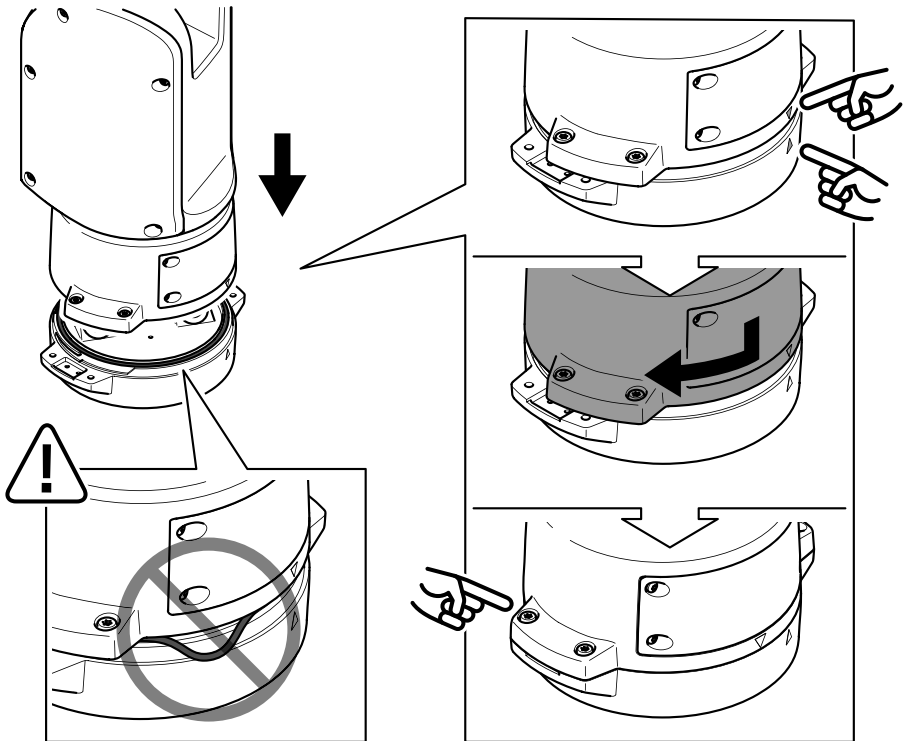
11. Installez les connecteurs d'alimentation et d'E/S.
12. Réglez les câbles réseau, d'E/S et d'alimentation de sorte que la distance depuis le joint du câble jusqu'à l'extrémité du connecteur soit respectivement de 240 mm (10 po), 170 mm (7 po) et 160 mm (7 po).

FR

AXIS T99A12 Positioning Unit 24 V AC/DC

REMARQUE

Assurez-vous que les joints toriques sont correctement fixés autour du couvercle transparent de l'unité de base.

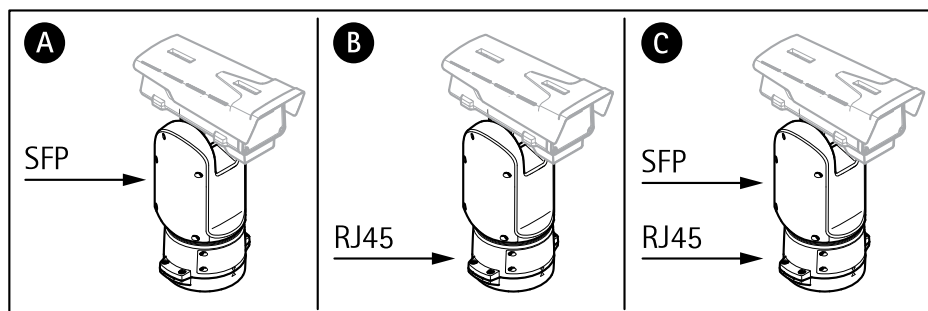


13. Placez l'unité de positionnement sur l'unité de base. Assurez-vous que les flèches des deux unités sont alignées.
14. Tournez l'unité de positionnement dans le sens des aiguilles d'une montre jusqu'à sa position d'origine et serrez les quatre vis de l'unité de base (couple de 3,0 Nm).

REMARQUE

Assurez-vous de ne pas pincer les câbles lors de l'assemblage des deux unités.

Installation de la liaison réseau



FR

Vous pouvez choisir entre plusieurs options lorsque vous installez la liaison réseau :

- A : via un câble à fibre optique ou un câble RJ45 raccordé au module SFP (avec connecteur correspondant) sur l'emplacement SFP.
- B : via un câble RJ45 raccordé au connecteur RJ45 fixe.
- C : via les deux solutions ci-dessus, auquel cas la connexion du module SFP fonctionne comme la liaison réseau primaire et la connexion RJ45 fixe fonctionne comme la liaison de secours.

Pour plus d'informations sur les emplacements des connecteurs réseau, voir *Vue d'ensemble du produit* à la page 32.

Remarque

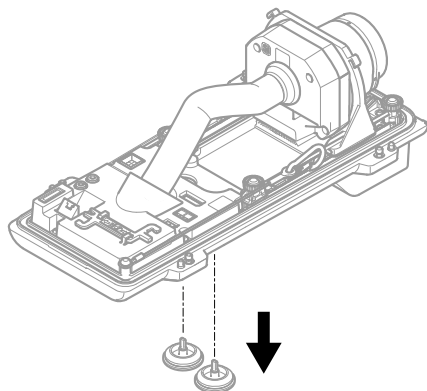
- Le module SFP n'est pas fourni. Pour plus d'informations sur les modules SFP, consultez le site axis.com
- Si vous installez une liaison réseau uniquement via le câble à fibre optique à l'aide du module SFP respectif, elle fonctionne comme une solution autonome pour les installations de câblage longue distance.

Installation de la caméra

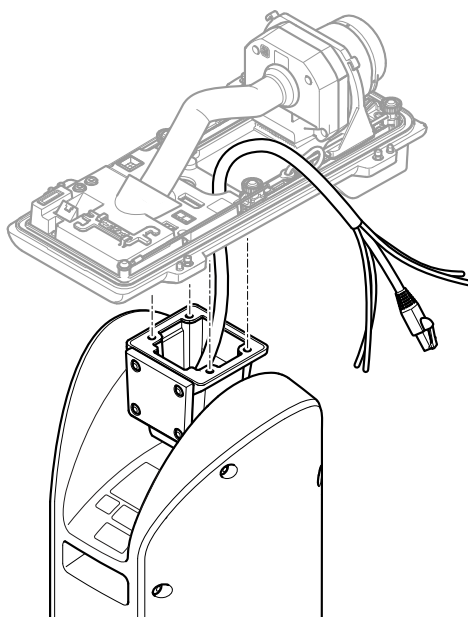
REMARQUE

- Ce produit Axis est compatible avec plusieurs modèles de caméras. Rendez-vous sur la page produits sur axis.com pour consulter la liste complète des caméras prises en charge.
- Pour savoir comment ouvrir le couvercle de la caméra, reportez-vous au guide d'installation de la caméra.

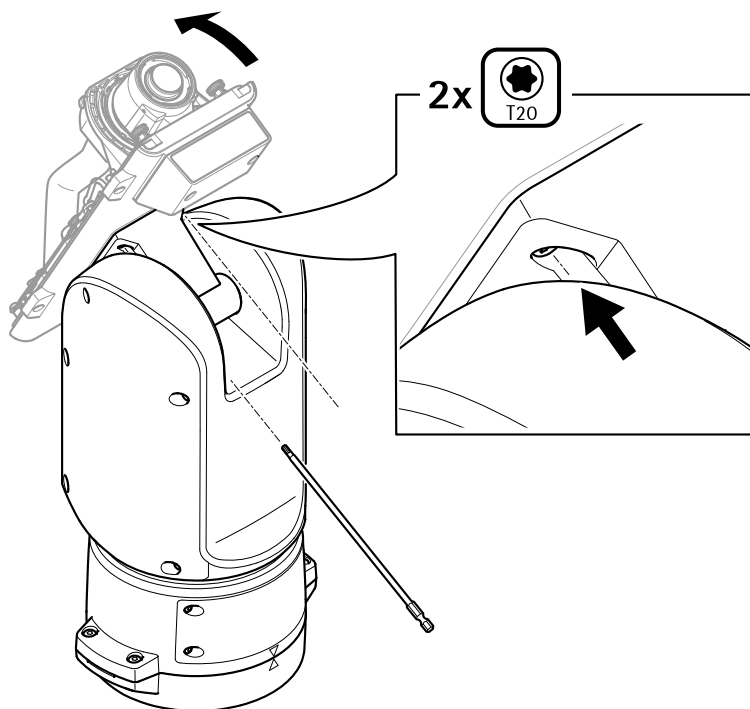
AXIS T99A12 Positioning Unit 24 V AC/DC



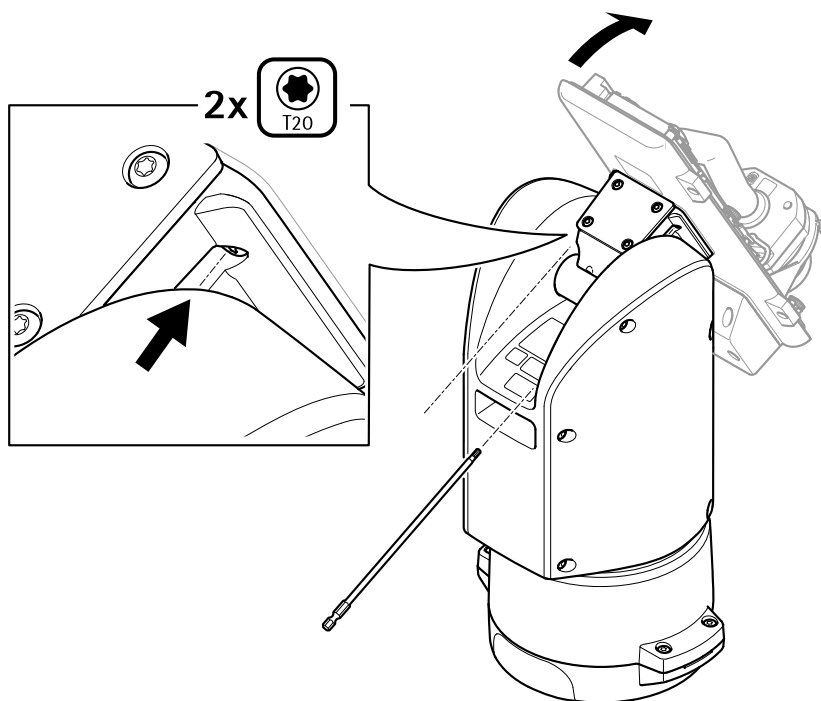
1. Retirez les joints de câble du couvercle inférieur de la caméra.



2. Insérez le câble d'interface réseau/alimentation/série à travers les trous du couvercle inférieur.
3. Montez le couvercle inférieur sur l'unité de positionnement.

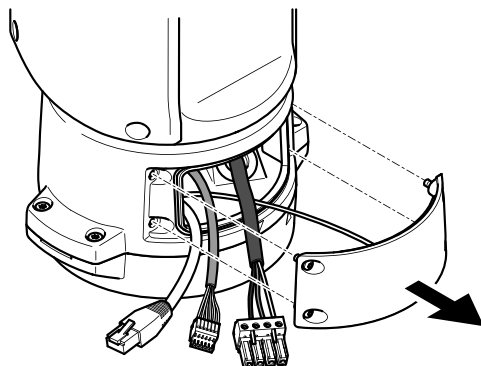


4. Inclinez le couvercle inférieur vers l'arrière jusqu'à sa position finale et serrez les deux vis avant de l'unité de positionnement (T20, couple 3 Nm).

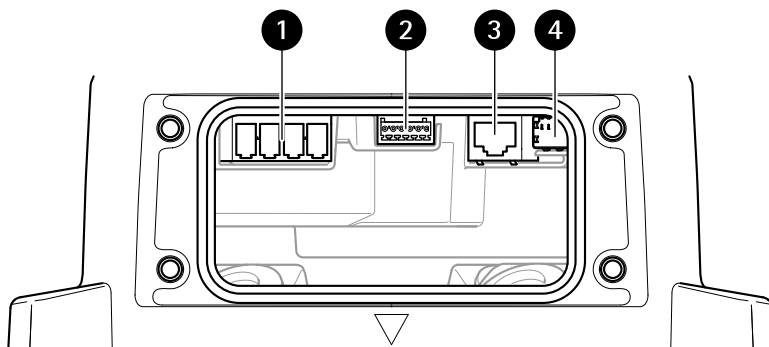


5. Inclinez le couvercle inférieur vers sa position finale et serrez les deux vis arrière de l'unité de positionnement (T20, couple 3 Nm).
6. Branchez les câbles réseau, interface série et d'alimentation de la caméra conformément au guide d'installation de la caméra. Pour plus d'informations concernant les caractéristiques techniques des câbles, consultez *Câble électrique de la caméra* à la page 50 et *Câble interface série de la caméra* à la page 50.
7. Finalisez l'installation de la caméra conformément au guide d'installation de la caméra.

Branchez les câbles



1. Desserrez les quatre vis du couvercle (T20) et retirez le couvercle.



- 1 *Connecteur d'alimentation d'entrée*
- 2 *Connecteur E/S*
- 3 *Connecteur RJ45*
- 4 *Emplacement SFP pour module SFP (module SFP non inclus)*

2. Branchez le câble réseau (fibre optique et/ou RJ45), E/S et d'alimentation. Pour plus d'informations sur les différentes options de connectivité réseau, consultez *Installation de la liaison réseau* à la page 40.
3. Remettez le couvercle en place et serrez les quatre vis du couvercle (couple de serrage 3,0 Nm).
4. Retirez le couvercle de protection.

5. Mettez le produit sous tension.

Sélectionner le pilote PTZ

1. Allez à la page Web de la caméra.
2. Allez à **Système > Accessoires > PTZ**.
3. Si votre caméra prend en charge à la fois les pilotes PTZ et la fonction PTZ numérique, sélectionnez le mode **PTZ Mécanique**.
4. Sélectionnez le pilote **APTP** et cliquez sur **Sauvegarder**.
5. Allez à l'onglet **PTZ** et vérifiez que les paramètres panoramique-inclinaison sont disponibles.

Specifications

Connecteurs

Connecteur réseau

Connecteur Ethernet RJ45.

Connecteur SFP.

REMARQUE

Le produit doit être connecté à l'aide d'un câble réseau blindé (STP) ou d'un câble à fibres optiques. Tous les câbles reliant le produit au commutateur réseau doivent être destinés à leur usage spécifique. Assurez-vous que les périphériques réseau sont installés conformément aux instructions du fabricant. Pour plus d'informations sur les exigences réglementaires, consultez .

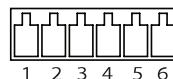
Connecteur d'E/S

Entrée numérique – Pour connecter des dispositifs pouvant passer d'un circuit ouvert à un circuit fermé, par exemple capteurs infrarouge passifs, contacts de porte/fenêtre et détecteurs de bris de verre.

Sortie numérique – Permet de connecter des dispositifs externes, comme des relais ou des voyants. Les appareils connectés peuvent être activés par l'interface de programmation VAPIX®, via un événement ou à partir de la page web du produit.

Un capteur de lumière numérique – Pour recevoir une valeur de l'intensité lumineuse ambiante depuis un capteur de lumière externe. Cette valeur est utilisée pour contrôler la fonction jour/nuit.

Bloc terminal configurable à 6 broches

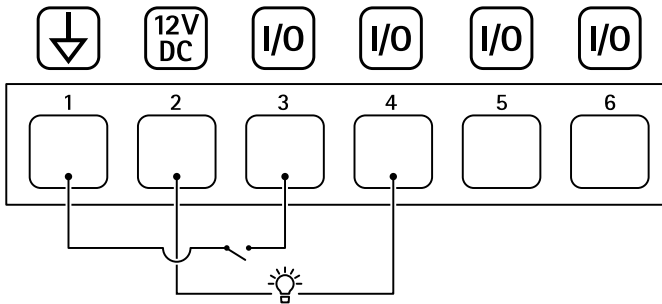


Fonction	B- ro- che	Remarques	Caractéristiques
Masse du CC	1		0 V CC
Sortie CC	2	Peut servir à alimenter le matériel auxiliaire. Remarque : cette broche ne peut être utilisée que comme sortie d'alimentation.	12 V CC Charge max. = 50 mA

AXIS T99A12 Positioning Unit 24 V AC/DC

Configurable (entrée ou sortie)	3- 6	Entrée numérique - Connectez-vous à la broche 1 pour activer ou laisser non connecté pour désactiver.	0 à 30 V CC max.
		Sortie numérique - Connexion interne à la broche 1 (terre CC) en cas d'activation, et flottante (déconnectée) en cas de désactivation. En cas d'utilisation avec une charge inductive, par exemple un relais, connectez une diode en parallèle à la charge pour assurer la protection contre les transitoires de tension.	0 à 30 V CC max., drain ouvert, 100 mA

Exemple



- 1 Masse du CC
- 2 Sortie CC 12 V, maxi. 50 mA
- 3 Entrée/sortie configurée comme entrée
- 4 Entrée/sortie configurée comme sortie
- 5 E/S configurable
- 6 E/S configurable

Connecteur d'alimentation

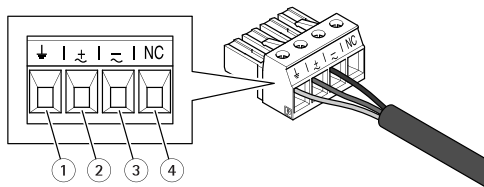
Bloc terminal à 4 broches pour l'alimentation.

Connecteur d'alimentation 24 V CA/CC

REMARQUE

Cette section concerne les produits alimentés en 24 V CA et 24 V CC uniquement.

AXIS T99A12 Positioning Unit 24 V AC/DC



FR

Ce tableau concerne uniquement les connecteurs d'alimentation 24 V CA et 24 V CC.

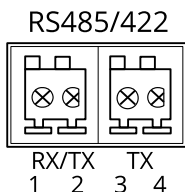
Position	24 V CA	24 V CC
1	Terre de protection	Terre de protection
2	Phase 24 V CA	+ 24 V
3	24 V CA Neutre	0 V
4	Non connecté	Non connecté

Connecteur RS485/RS422

Deux blocs terminaux à 2 broches pour l'interface série RS485/RS422 utilisée pour commander les équipements auxiliaires, tels que les dispositifs panoramique/inclinaison.

Le port série peut être configuré pour la prise en charge de :

- RS485 semi-duplex sur deux fils
- RS485 duplex intégral sur quatre fils
- RS422 simplex sur deux fils
- RS422 duplex intégral sur quatre fils pour communication point à point



Fonction	Broche	Notes
RS485/RS422 RX/TX A	1	(RX) Pour duplex intégral RS485/RS422 (RX/TX) pour semi-duplex RS485
RS485/RS422 RX/TX B	2	

AXIS T99A12 Positioning Unit 24 V AC/DC

RS485/RS422 TX A	3	(TX) Pour duplex intégral RS485/RS422
RS485/RS422 TX B	4	

Câbles

Épaisseur du câble

Le diamètre du câble, lors de l'utilisation de joints de câble fournis avec le produit, doit être comprise entre 5 et 11 mm (0,2 à 0,4 po).

REMARQUE

- Utilisez des câbles adaptés à la zone spécifiée
- Sélectionnez des câbles conformes à la législation locale
- Assurez-vous que les passages de câbles sont correctement scellés
- Utilisez des joints de câble et des presse-étoupes adaptés aux passages de câbles et à la zone de câble

Pour plus d'informations sur les accessoires, tels que les joints de câble et les presse-étoupes adaptés à d'autres zones de câble, consultez www.axis.com

Câble interface série de la caméra

Couleur du câble	Caractéristiques techniques
Blanc	RS485A
Vert	RS485B

Câble électrique de la caméra

Couleur du câble	Caractéristiques techniques
Rouge	+ 24 V CC
noir	0 V

Sicherheitsinformationen

Gefährdungsstufen

▲GEFAHR

Weist auf eine gefährliche Situation hin, welche, falls nicht verhindert, zu Tod oder schweren Verletzungen führen kann.

▲WARNUNG

Weist auf eine gefährliche Situation hin, welche, falls nicht verhindert, zu Tod oder schweren Verletzungen führen kann.

▲VORSICHT

Weist auf eine gefährliche Situation hin, welche, falls nicht verhindert, zu geringfügiger oder mäßiger Verletzung führen kann.

HINWEIS

Weist auf eine gefährliche Situation hin, welche, falls nicht verhindert, zu Sachschäden führen kann.

Andere Meldeebenen

Wichtig

Weist auf wichtige Informationen hin, die den richtigen Betrieb des Produkts gewährleisten.

Hinweis


Weist auf nützliche Informationen hin, die die optimale Verwendung des Produkts unterstützen.

Sicherheitsanweisungen


▲GEFAHR

Stromschlaggefahr. Vor der Installation oder Wartung des Produkts muss sichergestellt werden, dass an keinem der Kabel Spannung anliegt.

▲VORSICHT

 Bewegliche Teile. Verletzungsgefahr. Körperteile während des Betriebs vom Produkt fernhalten. Vor der Installation oder Wartung des Produkts alle Kabel von der Stromversorgung trennen.

▲VORSICHT

 Heiße Oberflächen. Verletzungsgefahr. Das Produkt während des Betriebs nicht berühren. Vor der Wartung des Produkts alle Kabel von der Stromversorgung trennen und die Oberflächen des Produkts abkühlen lassen.

HINWEIS

- Das Axis Produkt muss unter Beachtung der geltenden Gesetze und Bestimmungen betrieben werden.
- Lagern Sie das Axis Produkt in einer trockenen und belüfteten Umgebung.

AXIS T99A12 Positioning Unit 24 V AC/DC

- Das Axis Produkt weder Stößen noch starkem Druck aussetzen.
- Das Produkt nicht an instabilen Masten, Halterungen, Oberflächen oder Wänden anbringen.
- Verwenden Sie bei der Installation des Axis Produkts ausschließlich passende Werkzeuge. Ein zu großer Kraftaufwand mit elektrischen Werkzeugen kann das Produkt beschädigen.
- Verwenden Sie keine chemischen, ätzenden oder aerosolhaltigen Reinigungsmittel.
- Verwenden Sie zum Reinigen ein sauberes, mit destilliertem Wasser angefeuchtetes Tuch.
- Verwenden Sie nur Zubehör, das den technischen Vorgaben Ihres Produkts entspricht. Dieses ist von Axis oder Drittanbietern erhältlich. Axis empfiehlt die mit Ihrem Produkt kompatible Stromversorgung von Axis.
- Verwenden Sie ausschließlich Ersatzteile die von Axis angeboten oder empfohlen werden.
- Versuchen Sie nicht, dieses Produkt selbsttätig zu reparieren. Wenden Sie sich bezüglich Reparatur und Wartung an den Axis Support oder Ihren Axis Händler.
- Verwenden Sie ein gelb/grün gekennzeichnetes Erdungskabel mit einem Querschnitt von mindestens 0,5 mm².

Transport

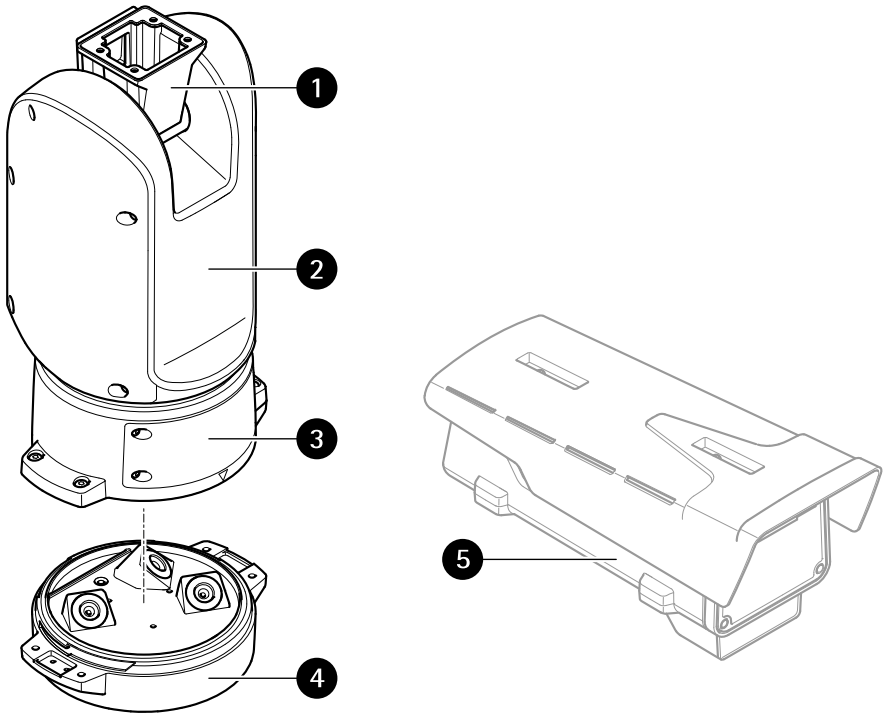
HINWEIS

- Bei Bedarf transportieren Sie das Axis Produkt in der Originalverpackung oder einer entsprechenden Verpackung, so dass Schäden vermieden werden.

Lieferumfang

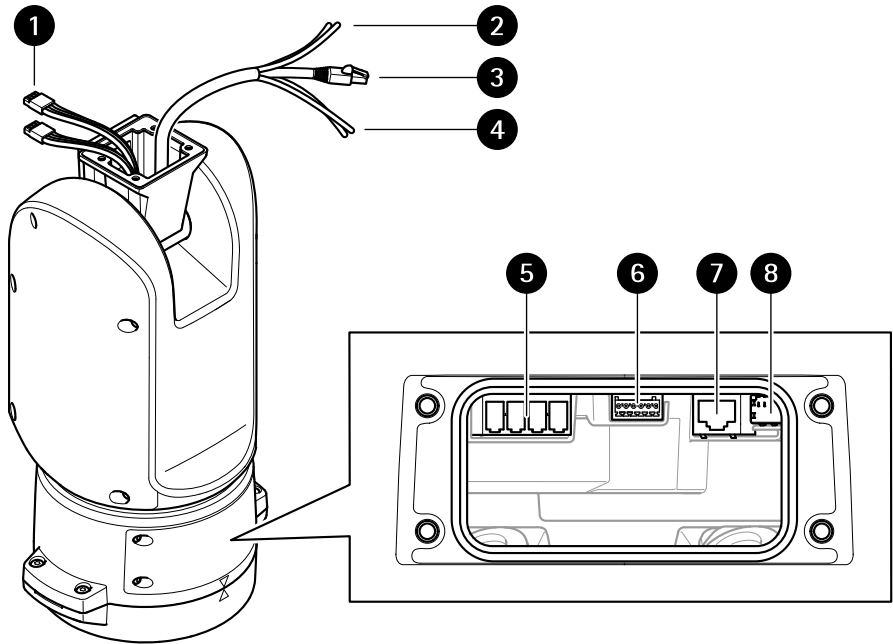
- Positionierungseinheit
- Stromanschluss
- E/A-Anschluss
- Torx-Bit® T20 (lang) und T30

Produktübersicht



- 1 *Positionierungseinheit (Neigen)*
- 2 *Positionierungseinheit (Schwenken)*
- 3 *Deckel*
- 4 *Basiseinheit*
- 5 *Kamera (nicht im Lieferumfang enthalten)*

AXIS T99A12 Positioning Unit 24 V AC/DC



DE

- 1 Strahlerkabel (nicht zu verwenden)
- 2 Stromversorgungskabel der Kamera
- 3 Netzwerk-Kabel der Kamera
- 4 Serielles Schnittstellenkabel der Kamera
- 5 Stromversorgungsanschluss Eingang
- 6 E/A-Anschluss
- 7 RJ-45-Anschluss
- 8 SFP-Einschub für SFP-Module (SFP-Modul nicht enthalten)

Installieren des Produkts

⚠GEFAHR

Stromschlaggefahr Vor der Installation oder Wartung des Produkts müssen alle Kabel von der Stromversorgung abgeklemmt werden.

⚠VORSICHT

Die Installation der elektrischen Anschlüsse und Kabelkanäle darf nur von einem zugelassenen Elektriker in Übereinstimmung mit den geltenden Bestimmungen vorgenommen werden.

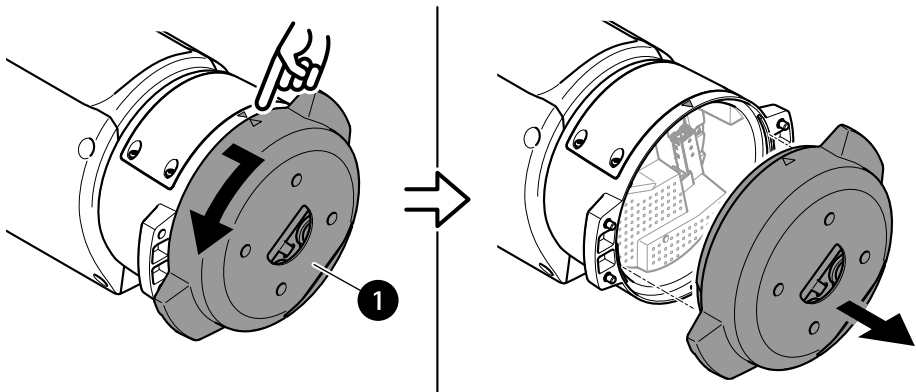
⚠VORSICHT

⚠ Verletzungsgefahr Gefahr durch bewegliche Teile Körperteile während des Betriebs vom Produkt fernhalten. Vor der Installation oder Wartung des Produkts alle Kabel von der Stromversorgung abklemmen.

⚠VORSICHT

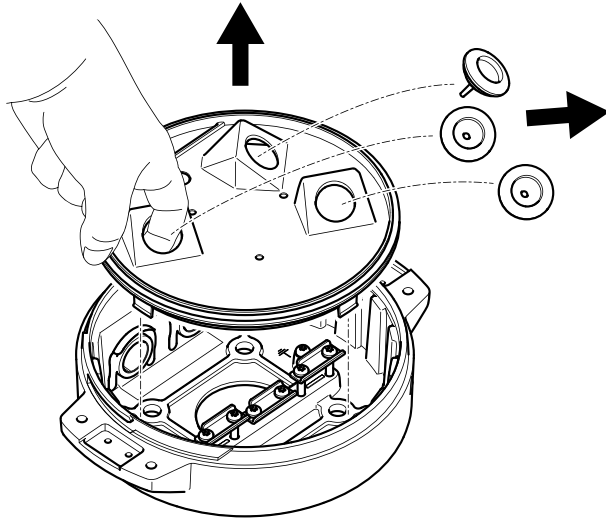
⚠ Verletzungsgefahr Heiße Oberfläche Das Produkt während des Betriebs nicht berühren. Trennen Sie vor Wartungsarbeiten die Stromversorgung und lassen Sie die Oberflächen des Produkts abkühlen.

Montieren der Gerätebasis



1 Basiseinheit

1. Die vier Schrauben (T30) der Gerätebasis entfernen.
2. Die Gerätebasis gleichzeitig ziehen und gegen den Uhrzeigersinn drehen, bis die Pfeile auf der Gerätebasis und dem Rest des Geräts in einer Linie stehen.
3. Die Gerätebasis entfernen.

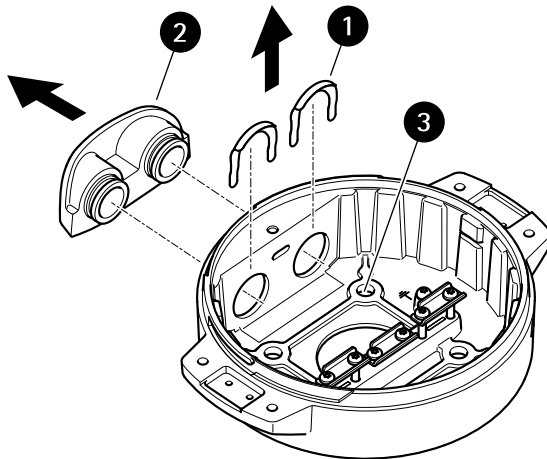


DE

HINWEIS

Beim Entfernen der transparenten Abdeckung der Gerätebasis keine spitzen Werkzeuge verwenden.

4. Die transparente Abdeckung der Gerätebasis entfernen.



1 Klammer der Kabelführung

AXIS T99A12 Positioning Unit 24 V AC/DC

- 2 Abdeckung der Kabelführung
 - 3 Schraubenbohrung (4 x)
5. Nur bei Installationen über die Kabelführung: Zuerst die beiden Klammern der Kabelführung und anschließend die Abdeckung der Kabelführung entfernen.
 6. Die Gerätebasis mit geeigneten Befestigungselementen für die vier Schraubenbohrungen an der Befestigungsfläche anbringen.

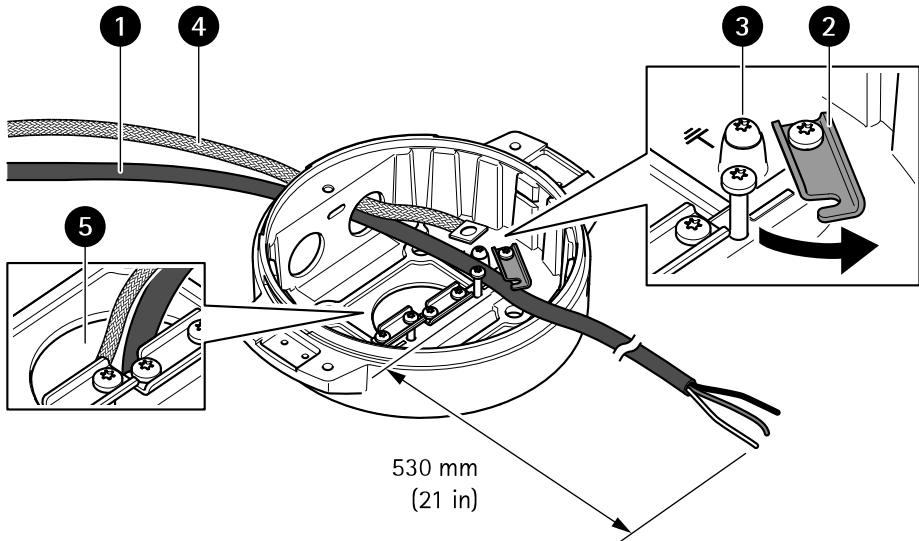
Die Kabel verlegen

⚠ WARNUNG

Stromschlaggefahr. Das Produkt muss geerdet werden. Dazu müssen sowohl der Schutzleiter im Stromversorgungskabel als auch das Erdungsband verwendet werden. Sicherstellen, dass beide Enden des Schutzleiters und des Erdungsbandes Kontakt mit den entsprechenden Erdungsflächen haben.

Wichtig

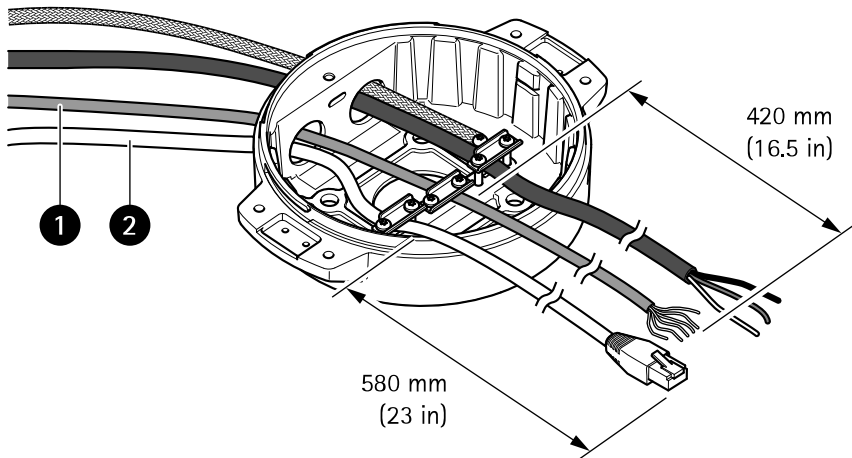
Nur Kabel mit dem vorgegebenen Kabelquerschnitt verwenden. Weitere Informationen finden Sie unter *Kabelstärke auf Seite 72*.



- 1 Stromversorgungskabel (nicht im Lieferumfang enthalten)
- 2 Zugentlastung
- 3 Masseschraube
- 4 Erdungsband (nicht im Lieferumfang enthalten)

5 Kabelöffnung unten

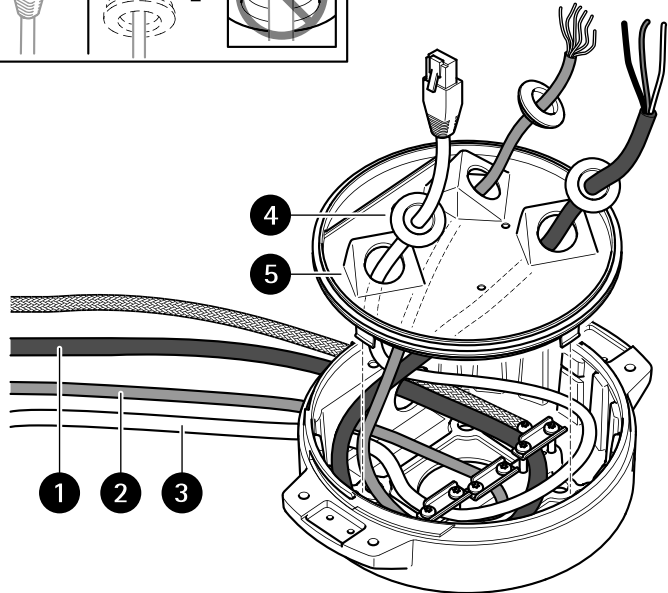
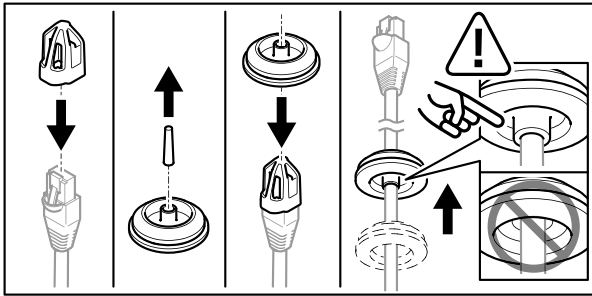
1. Die optionalen Kabelführungsadapter installieren (nicht im Lieferumfang enthalten).
2. Das Erdungskabel mit der Erdungsschraube befestigen.
3. Die Kabel für Stromversorgung, Netzwerk und E/A einschließlich der Kabelverschraubungen wie in der Abbildung oben durch die Öffnung des Basisgeräts führen. Alternativ die Kabel durch die untere Kabelöffnung einführen.
4. Das Stromversorgungskabel durch die Zugentlastung führen. Dabei eine Länge von 530 mm zwischen Zugentlastung und Kabelende einhalten.



- 1 E/A-Kabel (optional, nicht im Lieferumfang enthalten)
- 2 Netzwerk-Kabel (nicht im Lieferumfang enthalten)

5. Das E/A-Kabel (optional) durch die Zugentlastung führen. Dabei eine Länge von 420 mm zwischen Zugentlastung und Kabelende einhalten.
6. Das Netzwerk-Kabel (Glasfaser oder Kabeltyp RJ-45) durch die Zugentlastung führen. Dabei eine Länge von 580 mm zwischen Zugentlastung und Anschlussende einhalten. Weitere Informationen zu den verschiedenen Anschlussoptionen an das Netzwerk, siehe *Einrichten der Netzwerkverbindung auf Seite 62*.
7. Die drei Zugentlastungen schließen und anziehen.

AXIS T99A12 Positioning Unit 24 V AC/DC



- 1 Stromversorgungskabel (nicht im Lieferumfang enthalten)
- 2 E/A-Kabel (optional, nicht im Lieferumfang enthalten)
- 3 Netzwerk-Kabel (nicht im Lieferumfang enthalten)
- 4 Kabeldichtung
- 5 Transparente Abdeckung der Gerätebasis

8. Die Kabeldichtungen auf die Kabel schieben. Siehe *Kabelstärke auf Seite 72*.
9. Die Kabel für Stromversorgung, Netzwerk und E/A einschließlich der Kabeldichtungen durch die Öffnungen der transparenten Abdeckung der Gerätebasis führen und die Kabel wie in der Abbildung oben dargestellt ausrichten.

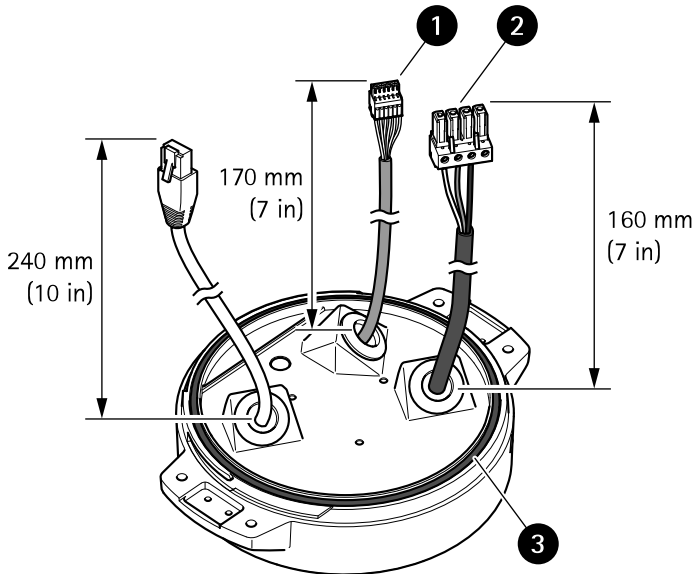
HINWEIS

Wird sowohl ein Glasfaserkabel als auch ein Kabel des Typs RJ-45 verwendet, das Glasfaserkabel durch dieselbe Kabeldichtung führen wie das E/A-Kabel. Gegen das Eindringen von Feuchtigkeit zwischen Kabeln und Kabeldichtung ein Dichtmittel verwenden.

AXIS T99A12 Positioning Unit 24 V AC/DC

Weitere Informationen zu den verschiedenen Anschlussoptionen an das Netzwerk, siehe *Einrichten der Netzwerkverbindung auf Seite 62*.

10. Die transparente Abdeckung der Gerätebasis aufsetzen und die Kabeldichtungen in die Öffnungen schieben.



- 1 E/A-Anschluss
- 2 Stromanschluss
- 3 O-Ring

DE

HINWEIS

Um das Gerät nicht versehentlich von der Stromversorgung zu trennen, wenn das Kabel gezogen wird, lassen Sie den Schutz-Erdungsdraht um 10 0,4 mm länger als die beiden anderen Kabel (im Stromversorgungskabel).

Hinweis

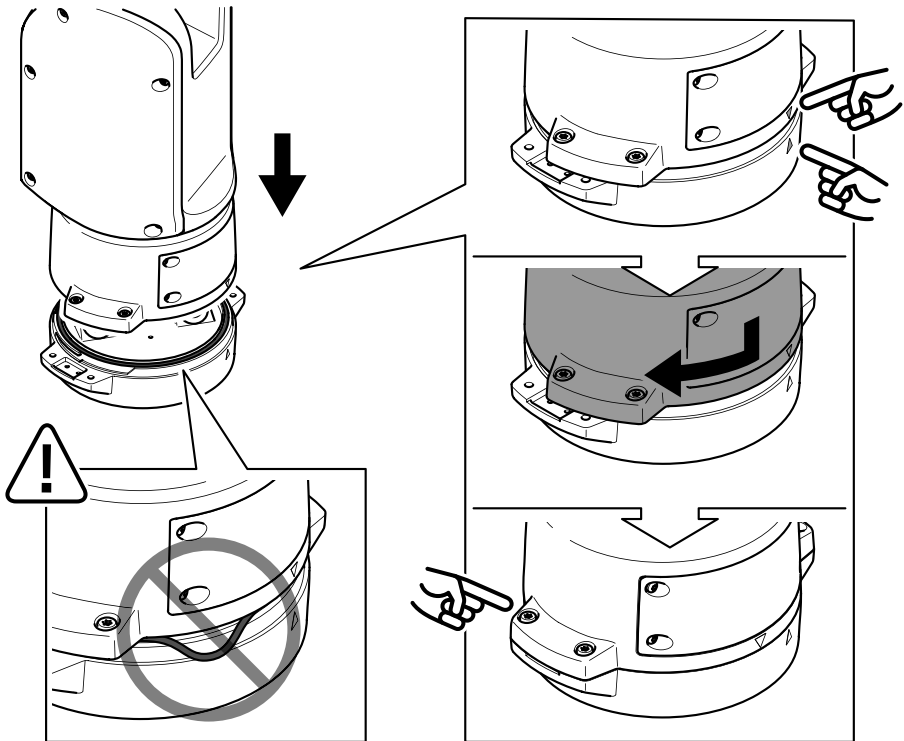
Um die Installation so einfach wie möglich zu machen, wird empfohlen, ca. 90 mm der Stromkabelhülle und 70 mm der E/A-Kabelhülle zu entfernen.

11. Einbau der Stromversorgungs- und E/A-Anschlüsse
12. Die Kabel für Netzwerk, E/A und Stromversorgung so ausrichten, dass die Länge zwischen Kabeldichtung und Ende des Anschlusses jeweils 240 mm, 170 mm und 160 mm beträgt.

AXIS T99A12 Positioning Unit 24 V AC/DC

HINWEIS

Sicherstellen, dass der O-Ring richtig um die transparente Abdeckung der Gerätebasis herum eingepasst ist.

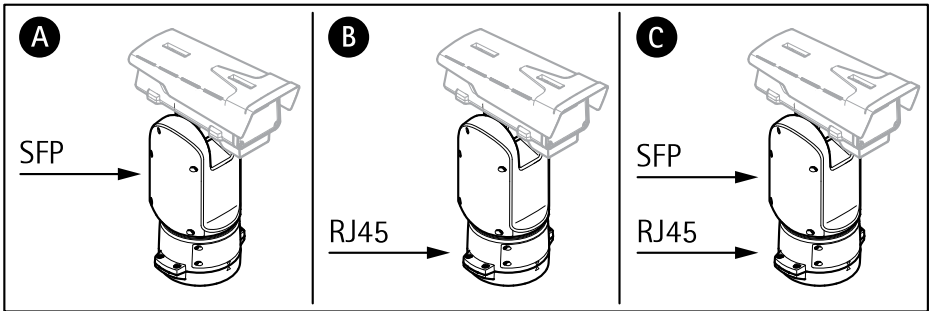


13. Positionieren Sie die Positionierungseinheit auf der Basiseinheit. Stellen Sie sicher, dass die Pfeile an den beiden Geräten ausgerichtet sind.
14. Die Positionierungseinheit im Uhrzeigersinn in ihre Ausgangsstellung drehen und die vier Schrauben der Grundeinheit anziehen (Drehmoment 3,0 Nm).

HINWEIS

Sicherstellen, dass die Kabel beim Zusammenbauen der beiden Geräte nicht gequetscht werden.

Einrichten der Netzwerkverbindung



DE

Bei der Installation der Netzwerkverbindung stehen verschiedene Optionen zur Verfügung:

- A: Mithilfe eines Glasfaserkabels oder eines Kabels des Typs RJ-45, das (mit einem entsprechenden Anschluss) an das SFP-Modul im SFP-Einschub angeschlossen wird.
- B: Mithilfe eines Anschlusses des Typs RJ-45 an den festen Anschluss des Typs RJ-45.
- C: Mithilfe beider oben angeführten Möglichkeiten. In diesem Fall agiert der Anschluss über das SFP-Modul als die primäre Netzwerk-Verbindung und die Verbindung über den festen Anschluss des Typs RJ-45 als Fail-Over-Anschluss.

Weitere Informationen zur Lage der Netzwerk-Steckverbindungen, siehe *Produktübersicht auf Seite 54*.

Hinweis

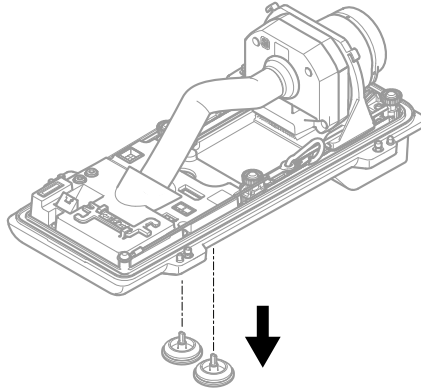
- SFP-Modul nicht im Lieferumfang enthalten. Weitere Informationen zu lieferbaren SFP-Modulen, siehe axis.com.
- Die Installation einer Netzwerk-Verbindung ausschließlich über das Glasfaserkabel mittels des entsprechenden SFP-Moduls dient als eigenständige Lösung für Kabelinstallationen mit großer Reichweite.

Kamera installieren

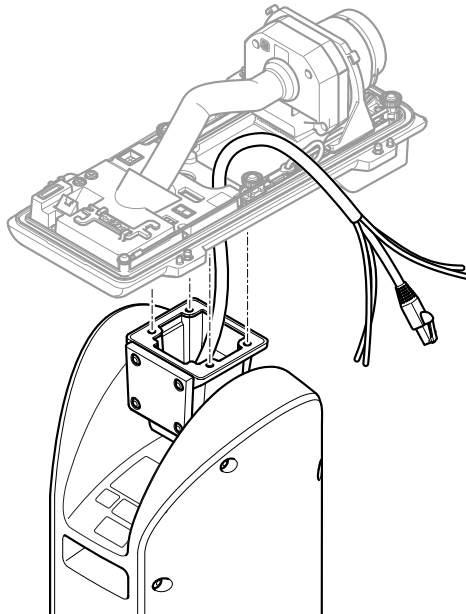
HINWEIS

- Dieses Produkt unterstützt mehrere Kameramodelle. Eine vollständige Liste unterstützter Kameras finden Sie auf der Produktseite von axis.com.
- Anweisungen dazu, wie sich die Abdeckung der Kamera öffnen lässt, finden Sie in der Installationsanleitung der Kamera.

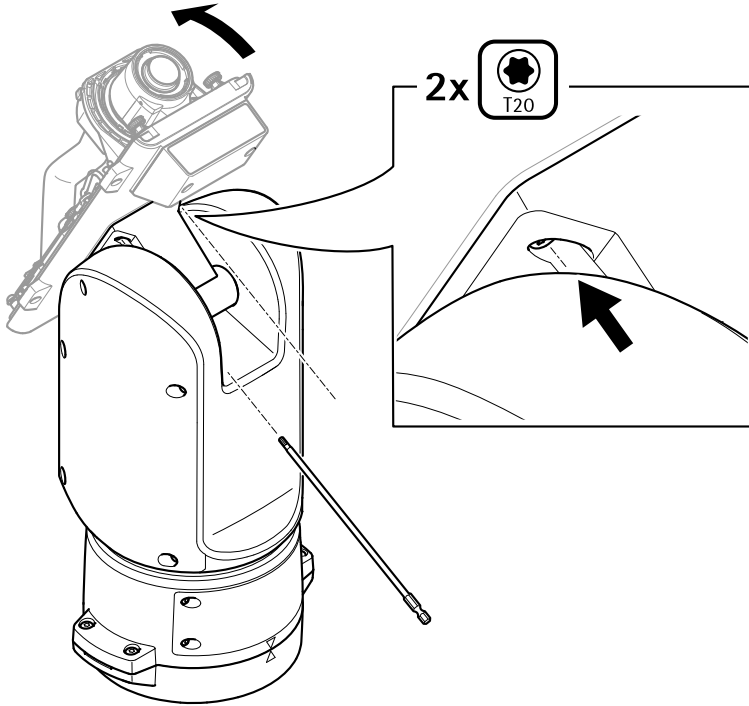
AXIS T99A12 Positioning Unit 24 V AC/DC



1. Entfernen Sie die Kabeldichtungen von der unteren Abdeckung der Kamera.

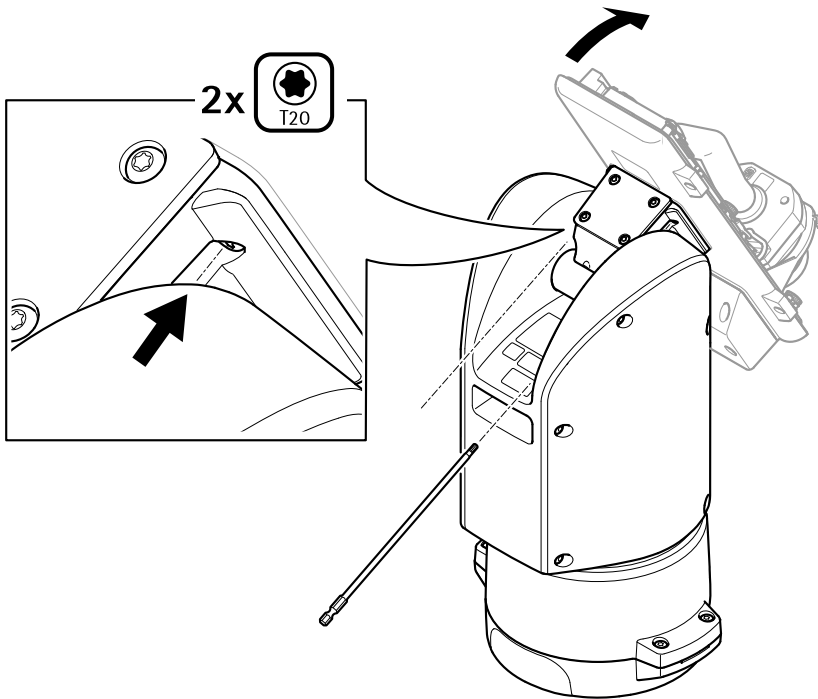


2. Führen Sie das Kabel für Netzwerk / Stromversorgung / serielle Schnittstelle durch die Öffnungen in der unteren Abdeckung ein.
3. Bringen Sie die untere Abdeckung an der Positionierungseinheit an.



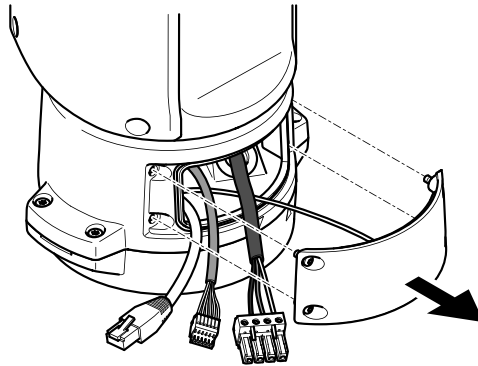
4. Neigen Sie die untere Abdeckung nach hinten in Endlage und ziehen Sie die beiden vorderen Schrauben (T20) der Positionierungseinheit an (Drehmoment 3,0 Nm).

AXIS T99A12 Positioning Unit 24 V AC/DC

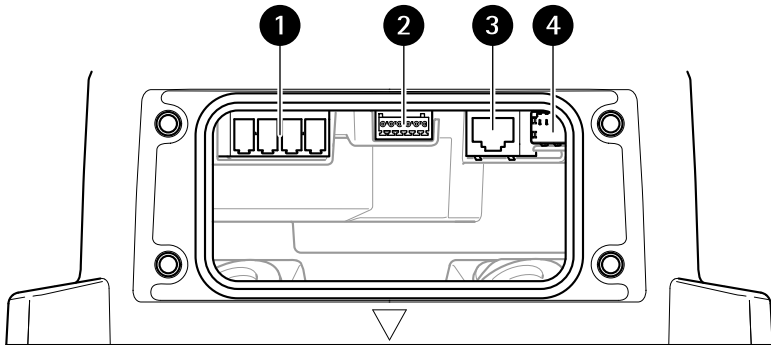


5. Neigen Sie die untere Abdeckung nach vorn in Endlage und ziehen Sie die beiden hinteren Schrauben (T20) der Positionierungseinheit an (Drehmoment 3,0 Nm).
6. Schließen Sie die Kabel der Kamera für Netzwerk, serielle Schnittstelle und Stromversorgung gemäß der Installationsanleitung der Kamera an. Weitere Informationen zu technischen Kenndaten der Kabel finden Sie unter *Stromversorgungskabel der Kamera auf Seite 72* und *Serielles Schnittstellenkabel der Kamera auf Seite 72*.
7. Schließen Sie die Installation der Kamera wie in der Installationsanleitung der Kamera beschrieben ab.

Anschließen der Kabel



1. Die vier Deckelschrauben (T20) lösen und den Deckel abnehmen.



- 1 *Stromversorgungsanschluss Eingang*
- 2 *E/A-Anschluss*
- 3 *RJ-45-Anschluss*
- 4 *SFP-Einschub für SFP-Module (SFP-Modul nicht enthalten)*

2. Das Netzwerk (Glasfaser und/oder RJ-45), E/A und die Stromversorgung anschließen
Weitere Informationen zu den verschiedenen Anschlussoptionen an das Netzwerk, siehe *Einrichten der Netzwerkverbindung auf Seite 62*.
3. Bringen Sie den Deckel an seine Position und ziehen Sie die vier Deckelschrauben an (Drehmoment 3,0 Nm).
4. Entfernen Sie die Schutzabdeckung.

5. Das Produkt an die Stromversorgung anschließen.

Den PTZ-Treiber wählen

1. Gehen Sie auf die Webseite der Kamera.
2. Gehen Sie zu **System > Zubehör > PTZ**.
3. Wenn Ihre Kamera sowohl PTZ-Treiber als auch digitales PTZ unterstützt, wählen Sie den PTZ-Modus **Mechanisch**.
4. Wählen Sie den Treiber **APTP** und klicken Sie auf **Speichern**.
5. Gehen Sie zur Registerkarte **PTZ** und überprüfen Sie, ob die Einstellungen zu Schwenken/Neigen verfügbar sind.

Technische Daten

Anschlüsse

Netzwerk-Anschluss

RJ45-Ethernetanschluss.

SFP-Anschluss.

HINWEIS

Das Produkt muss mit einem abgeschirmten Netzwerk-Kabel (STP) oder einem Glasfaserkabel angeschlossen werden. Alle Kabel, die das Produkt mit dem Netzwerk-Switch verbinden, müssen hierfür ausgelegt sein. Stellen Sie sicher, dass die Netzwerk-Geräte gemäß den Anweisungen des Herstellers installiert wurden. Informationen zu gesetzlichen Bestimmungen finden Sie unter .

DE

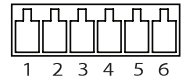
E/A-Anschluss

Digitaleingang – Zum Anschluss von Geräten, die zwischen geöffnetem und geschlossenem Schaltkreis wechseln können wie etwa PIR-Sensoren, Tür- und Fensterkontakte sowie Glasbruchmelder.

Digitalausgang – Zum Anschluss externer Geräte wie Relais und LEDs. Die angeschlossenen Geräte können über die Anwendungsprogrammierschnittstelle VAPIX®, ein Ereignis oder die Produktwebseite aktiviert werden.

Digitale Lichtsensor – Um Werte der Umgebungslichtstärke von einem externen Lichtsensor zu empfangen. Dient zur Steuerung der Tag- und Nachtfunktionalität des Produkts.

6-poliger konfigurierbarer Anschlussblock

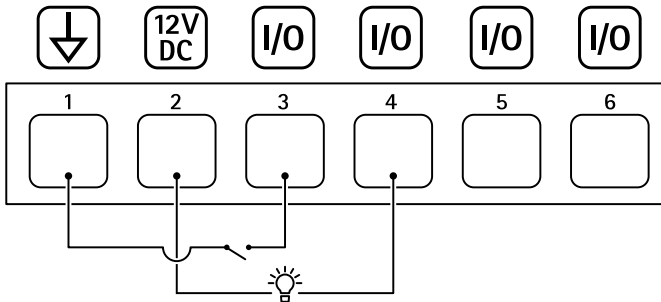


Funktion	Kon-takt	Hinweise	Technische Angaben
Erdung Gleichstrom	1		0 V Gleichstrom
Gleichstromausgang	2	Darf für die Stromversorgung von Zusatzgeräten verwendet werden. Hinweis: Dieser Kontakt darf nur für den Stromausgang verwendet werden.	12 V DC Max. Stromstärke = 50 mA

AXIS T99A12 Positioning Unit 24 V AC/DC

Konfigurierbar (Ein- oder Ausgang)	3–6	Digitaleingang – Zum Aktivieren an Kontakt 1 anschließen, zum Deaktivieren nicht anschließen.	0 bis max. 30 V Gleichstrom
		Digitaler Ausgang – Interne Verbindung mit Kontakt 1 (Gleichstrom Erdschluss), wenn aktiviert; unverbunden, wenn deaktiviert. Bei Verwendung mit einer induktiven Last, wie etwa einem Relais, muss zum Schutz vor Spannungssprüngen eine Diode parallel zur Last geschaltet werden.	0 bis max. 30 V Gleichstrom, Open-Drain, 100 mA

Beispiel



- 1 Erdung Gleichstrom
- 2 Gleichstromausgang 12 V, max. 50 mA
- 3 E/A als Eingang konfiguriert
- 4 E/A als Ausgang konfiguriert
- 5 Konfigurierbarer E/A
- 6 Konfigurierbarer E/A

Stromanschluss

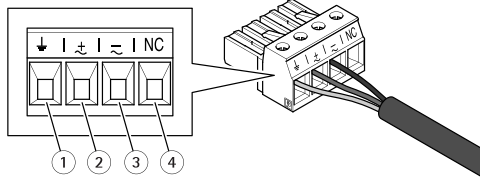
4-poliger Anschlussblock für den Stromeingang.

Netzanschluss 24 V, Wechselstrom/Gleichstrom

HINWEIS

Dieser Abschnitt bezieht sich nur auf Produkte mit Stromversorgung 24 V Wechselstrom und 24 V Gleichstrom.

AXIS T99A12 Positioning Unit 24 V AC/DC



Diese Tabelle bezieht sich nur auf die Stromanschlüsse mit 24 V Wechselstrom und 24 V mit Gleichstrom.

DE

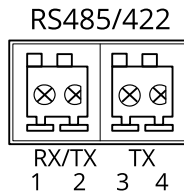
Position	24 V Wechselstrom	24 V Gleichstrom
1	Schutzerde	Schutzerde
2	Phase 24 V Wechselstrom	+ 24 V
3	Nullleiter 24 V Wechselstrom	0 V
4	Nicht verbunden	Nicht verbunden

Anschlussstyp RS-485/RS-422

Zwei 2-polige Anschlussblöcke für serielle Schnittstellen vom Typ RS485/RS422 zur Steuerung von Zusatzgeräten, beispielsweise zum Schwenken und Neigen.

Der serielle Anschluss kann in den folgenden Anschlussmodi konfiguriert werden:

- zweiadriger RS485-Halbduplex-Anschluss
- vieradriger RS485-Vollduplex-Anschluss
- zweiadriger RS422-Simplex-Anschluss
- vieradriger RS422-Vollduplex-Anschluss (Punkt-zu-Punkt-Verbindung)



AXIS T99A12 Positioning Unit 24 V AC/DC

Funktion	Kontakt	Hinweise
RS485/RS422 RX/TX A	1	(RX) RS485/RS422 für Vollduplex (RX/TX) RS485 für Halbduplex
RS485/RS422 RX/TX B	2	
RS485/RS422 TX A	3	(TX) RS485/RS422 für Vollduplex
RS485/RS422 TX B	4	

Kabel

Kabelstärke

Wenn die dem Produkt beiliegenden Kabeldichtungen verwendet werden, muss der Kabeldurchmesser zwischen 5 und 11 mm liegen.

HINWEIS

- Kabel verwenden, die der Querschnittsvorgabe entsprechen.
- Kabel verwenden, die den örtlichen Vorschriften entsprechen.
- Sicherstellen, dass alle Kabeldurchführungen ordnungsgemäß abgedichtet sind.
- Kabeldichtungen oder Kabelverschraubungen verwenden, die sowohl der Kabeldurchführung als auch dem Kabelquerschnitt entsprechen.

Für Informationen zu Zubehör wie Kabeldichtungen und Kabelverschraubungen für andere Kabelquerschnitte, siehe www.axis.com.

Serielles Schnittstellenkabel der Kamera

Kabelfarbmarkierung	Technische Kenndaten
Weiß	RS485A
Grün	RS485B

Stromversorgungskabel der Kamera

Kabelfarbmarkierung	Technische Kenndaten
Rot	+ 24 V Gleichstrom
Schwarz	0 V

Informazioni di sicurezza

Livelli di pericolo

▲PERICOLO

Indica una situazione pericolosa che, se non evitata, provoca morte o lesioni gravi.

▲AVVISO

Indica una situazione pericolosa che, se non evitata, potrebbe provocare la morte o lesioni gravi.

▲ATTENZIONE

Indica una situazione pericolosa che, se non evitata, potrebbe provocare lesioni medie o minori.

AVVISO

Indica una situazione che, se non evitata, potrebbe danneggiare la proprietà.

Altri livelli di messaggio

Importante

Indica informazioni importanti, essenziali per il corretto funzionamento del dispositivo.

Nota


Indica informazioni utili che aiutano a ottenere il massimo dal dispositivo.

Informazioni di sicurezza


▲PERICOLO

Rischio di scosse elettriche. Tutti i cavi devono essere disconnessi prima di installare o eseguire la manutenzione sul dispositivo.

▲ATTENZIONE

 Parti in movimento. Rischio di lesioni. Tenere il corpo distante dal dispositivo durante il funzionamento. Scollegare dall'alimentazione prima di installare o eseguire la manutenzione sul dispositivo.

▲ATTENZIONE

 Superficie calda. Rischio di lesioni. Non toccare il dispositivo durante il funzionamento. Scollegare dall'alimentazione e lasciar raffreddare le superfici prima di eseguire la manutenzione sul dispositivo.

AVVISO

- Il dispositivo Axis deve essere utilizzato in conformità alle leggi e alle normative locali.
- Conservare il dispositivo Axis in un ambiente asciutto e ventilato.
- Evitare di esporre il dispositivo Axis a urti o pressioni eccessive.
- Non installare il dispositivo su supporti, superfici, pareti o pali instabili.

AXIS T99A12 Positioning Unit 24 V AC/DC

- Utilizzare solo strumenti applicabili quando si installa il dispositivo Axis. Se si utilizza una forza eccessiva con strumenti non adatti è possibile causare danni al dispositivo.
- Non utilizzare sostanze chimiche, agenti caustici o detergenti aerosol.
- Utilizzare un panno pulito inumidito in acqua pura per la pulizia.
- Utilizzare solo accessori compatibili con le specifiche tecniche del dispositivo. Questi possono essere forniti da Axis o da terze parti. Axis consiglia l'uso dell'apparecchiatura di alimentazione Axis compatibile con il dispositivo.
- Utilizzare solo parti di ricambio fornite o consigliate da Axis.
- Non tentare di riparare il dispositivo da soli. Contattare l'assistenza o il rivenditore Axis per questioni relative alla manutenzione.
- Utilizzare un cavo di messa a terra giallo/verde di almeno 0,5 mm² o 20 AWG.

Trasporto

AWISO

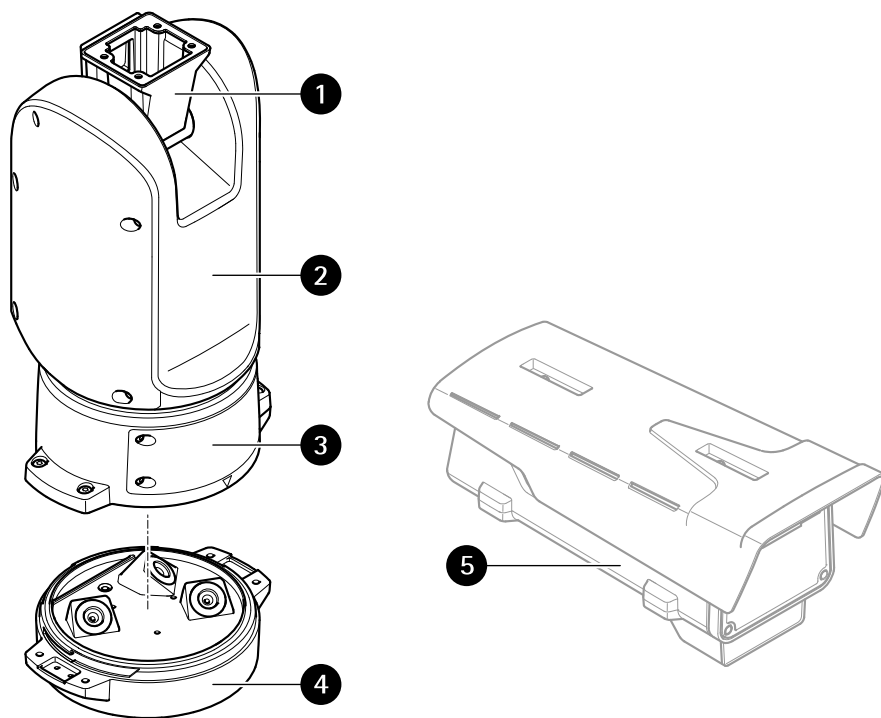
- Durante il trasporto del dispositivo Axis, utilizzare l'imballaggio originale o equivalente per evitare danni al dispositivo.

Contenuto della confezione

- Unità di posizionamento
- Connettore di alimentazione
- Connettore I/O
- Punta Torx® T20 (lunga) e T30

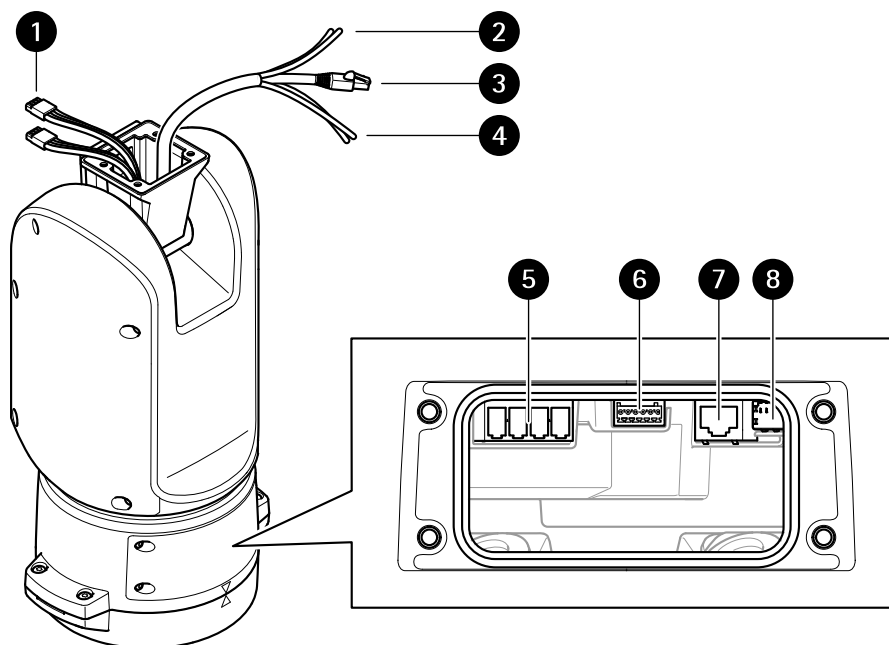
AXIS T99A12 Positioning Unit 24 V AC/DC

Panoramica del dispositivo



- 1 *Unità di posizionamento (inclinazione)*
- 2 *Unità di posizionamento (panoramica)*
- 3 *Coperchio*
- 4 *Unità base*
- 5 *Telecamera (non inclusa)*

AXIS T99A12 Positioning Unit 24 V AC/DC



IT

- 1 Cavi illuminatore (da non usare)
- 2 Cavo di alimentazione della telecamera
- 3 Cavo di rete della telecamera
- 4 Cavo dell'interfaccia seriale della telecamera
- 5 Connettore ingresso alimentazione
- 6 Connettore I/O
- 7 Connettore RJ45
- 8 Slot SFP per modulo SFP (modulo SFP non incluso)

Come installare il dispositivo

⚠ PERICOLO

Rischio di scosse elettriche. Tutti i cavi non saranno sotto tensione prima di installare il dispositivo.

⚠ ATTENZIONE

Le connessioni elettriche e l'installazione dei tubi protettivi devono essere effettuate da un elettricista certificato e in conformità alle normative locali.

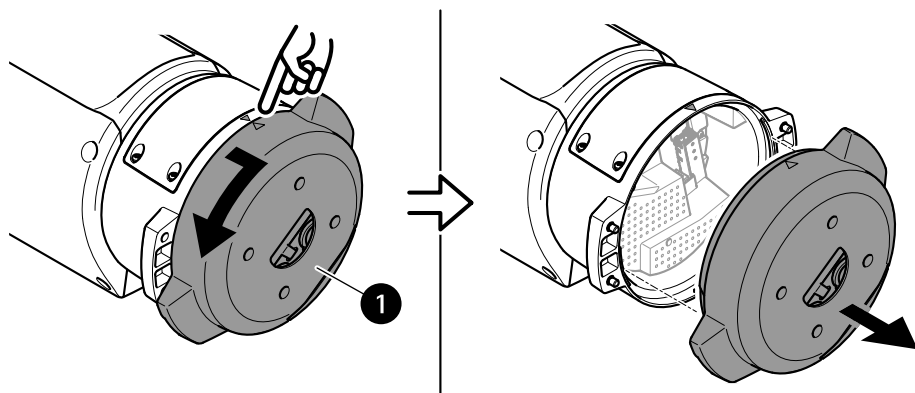
⚠ ATTENZIONE

⚠ Rischio di lesioni. Parti in movimento. Tenere il corpo a distanza dal dispositivo durante il funzionamento. Scollegare dall'alimentazione prima di installare o eseguire la manutenzione sul dispositivo.

⚠ ATTENZIONE

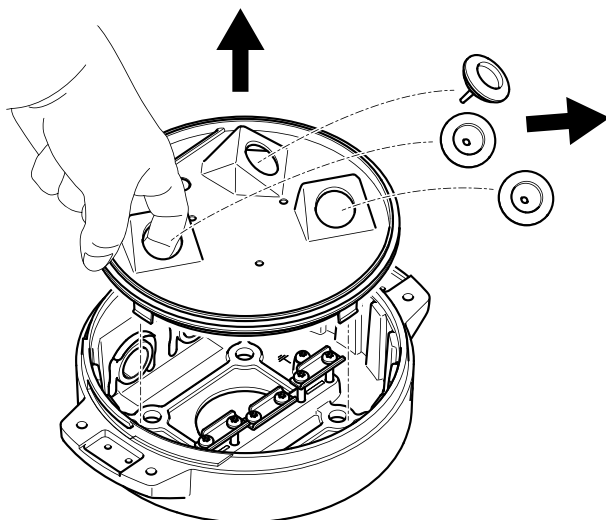
⚠ Rischio di lesioni. Superficie calda. Non toccare il dispositivo durante il funzionamento. Scollegare dall'alimentazione e lasciar raffreddare le superfici prima di eseguire la manutenzione sul dispositivo.

Montaggio dell'unità base



1 Unità base

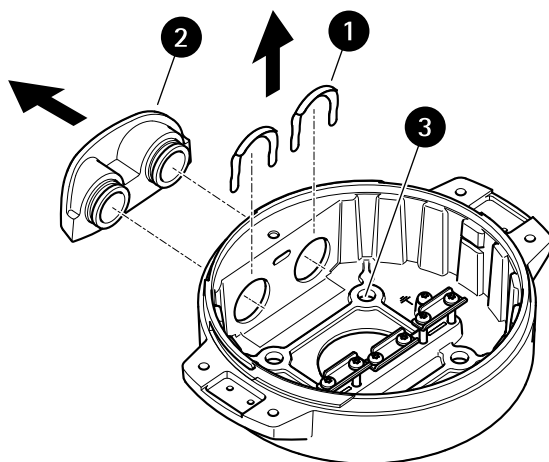
1. Rimuovere le quattro viti (T30) dell'unità base.
2. Estrarre e ruotare simultaneamente l'unità base in senso antiorario finché le frecce sull'unità base e sul resto dell'unità di posizionamento non si allineano.
3. Rimuovere l'unità base.



AVVISO

Non utilizzare strumenti appuntiti quando si rimuove il coperchio trasparente dell'unità base.

4. Rimuovere il coperchio trasparente dell'unità base.



1 Clip del coperchio del tubo protettivo

AXIS T99A12 Positioning Unit 24 V AC/DC

- 2 Coperchio del tubo protettivo
- 3 Foro per vite (x4)

- 5. Solo per le installazioni di tubi protettivi: rimuovere le due clip del coperchio del tubo protettivo e poi il coperchio del tubo protettivo stesso.
- 6. Fissare l'unità base alla superficie di montaggio con i fissaggi appropriati nei quattro fori delle viti.

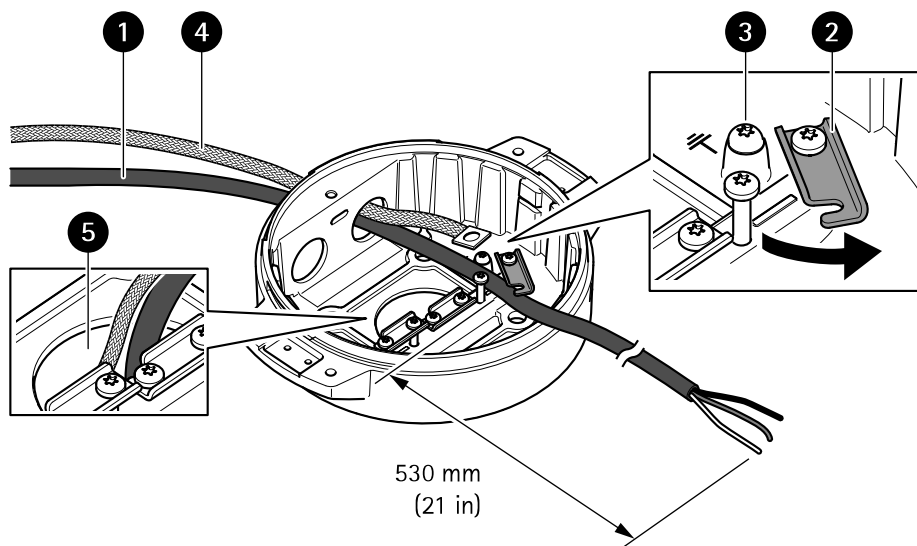
Installazione dei cavi

⚠AVVISO

Rischio di scosse elettriche. Questo dispositivo deve essere collegato a terra utilizzando il cavo di messa a terra di protezione nel cavo di alimentazione e la treccia di messa a terra. Assicurarsi che entrambe le estremità del cavo di messa a terra di protezione e della treccia di messa a terra siano in contatto con le rispettive superfici di messa a terra.

Importante

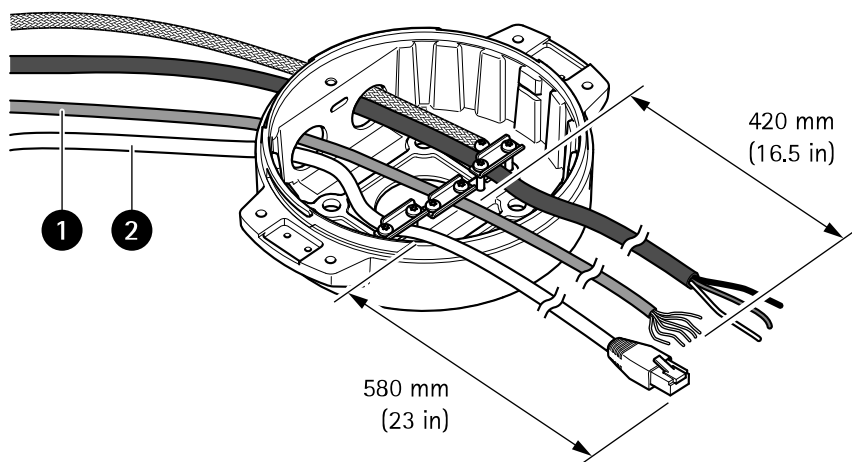
Utilizzare solo cavi conformi all'area dei cavi specificata. Per ulteriori informazioni, vedere *Spessore del cavo alla pagina 94*.



- 1 Cavo di alimentazione (non incluso)
- 2 Dispositivo antistrappo
- 3 Vite di messa a terra
- 4 Treccia di messa a terra (non inclusa)

5 Foro per cavo inferiore

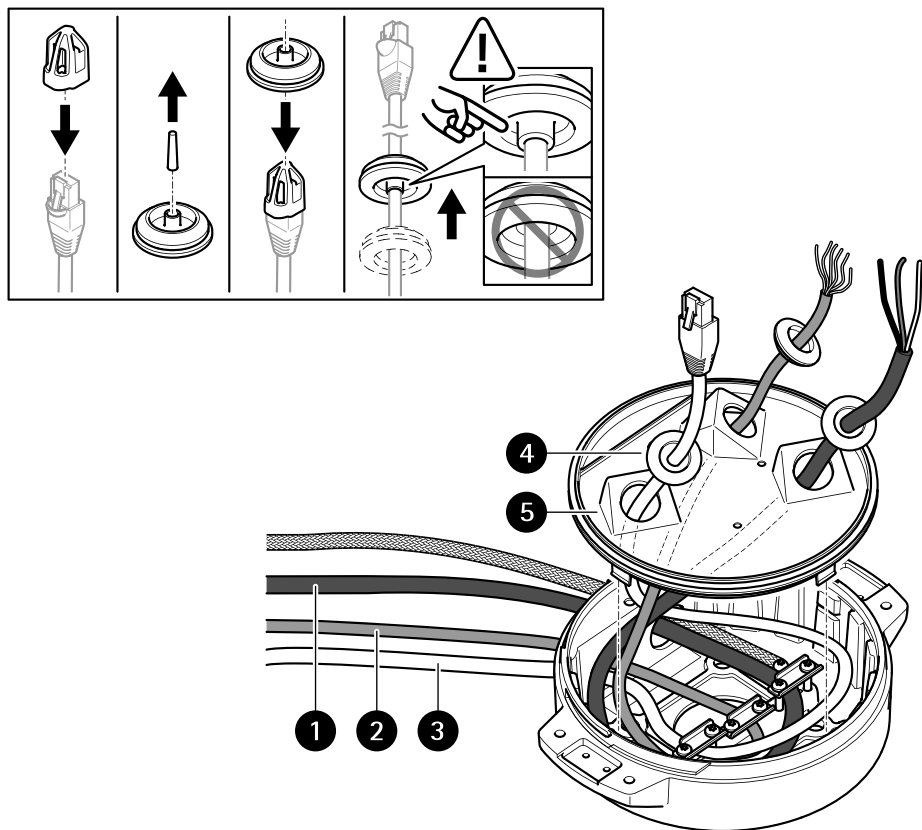
1. Installare gli adattatori dei tubi protettivi opzionali (non inclusi).
2. Collegare la treccia di messa a terra alla vite della messa a terra.
3. Inserire il cavo di alimentazione, il cavo di rete e il cavo I/O attraverso il foro nell'unità base come mostrato nell'illustrazione sopra riportata. In alternativa, inserirli nel foro del cavo inferiore.
4. Inserire il cavo di alimentazione nel dispositivo antistrappo con una distanza di 530 mm tra il dispositivo antistrappo e l'estremità del cavo.



- 1 Cavo I/O (opzionale, non incluso)
- 2 Cavo di rete (non incluso)

5. Inserire il cavo I/O (opzionale) nel dispositivo antistrappo con una distanza di 420 mm tra il dispositivo antistrappo e l'estremità del cavo.
6. Inserire il cavo di rete (cavo in fibra ottica e/o cavo RJ45) nel dispositivo antistrappo ad una distanza di 580 mm dal dispositivo antistrappo all'estremità del connettore. Per ulteriori informazioni sulle differenti opzioni di connettività di rete, vedere *Installazione del collegamento di rete alla pagina 84*.
7. Chiudere e avvitare i tre dispositivi antistrappo.

AXIS T99A12 Positioning Unit 24 V AC/DC



- 1 Cavo di alimentazione (non incluso)
- 2 Cavo I/O (opzionale, non incluso)
- 3 Cavo di rete (non incluso)
- 4 Guarnizione per cavi
- 5 Coperchio trasparente dell'unità base

8. Inserire le guarnizioni sui cavi. Vedere *Spessore del cavo alla pagina 94*.
9. Inserire il cavo di alimentazione, di rete e I/O comprese le guarnizioni attraverso i fori nel coperchio trasparente dell'unità base e sistemare i cavi come mostrato nell'illustrazione sopra riportata.

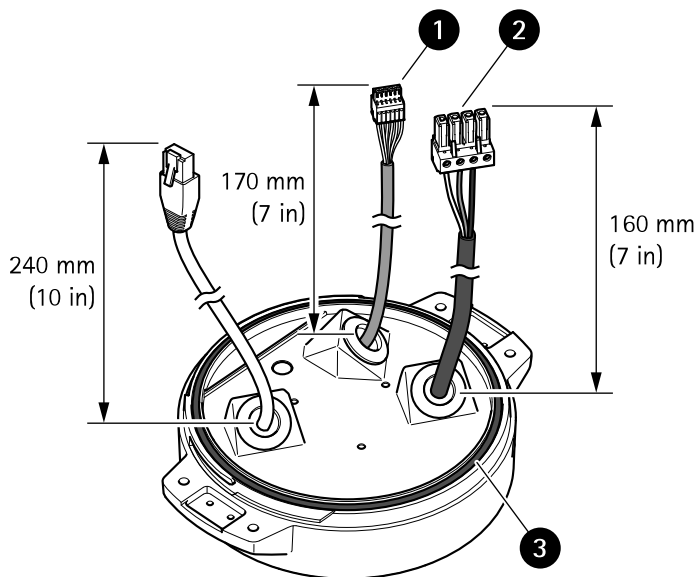
AWISO

Se si utilizzano un cavo in fibra ottica e un cavo RJ45 per la connettività di rete, instradare il cavo in fibra ottica attraverso la stessa guarnizione del cavo I/O. Applicare un sigillante

AXIS T99A12 Positioning Unit 24 V AC/DC

tra i cavi e la guarnizione per evitare dispersioni. Per ulteriori informazioni sulle differenti opzioni di connettività di rete, vedere *Installazione del collegamento di rete alla pagina 84*.

10. Posizionare il coperchio trasparente sull'unità base e inserire le guarnizioni dei cavi nei fori.



- 1 Connettore I/O
- 2 Connettore di alimentazione
- 3 Anello di tenuta

AVVISO

Per non scollegare accidentalmente l'unità dall'alimentazione se il cavo viene tirato, fare in modo che il cavo di messa a terra di protezione sia più lungo degli altri due cavi (nel cavo di alimentazione) di circa 10 mm.

Nota

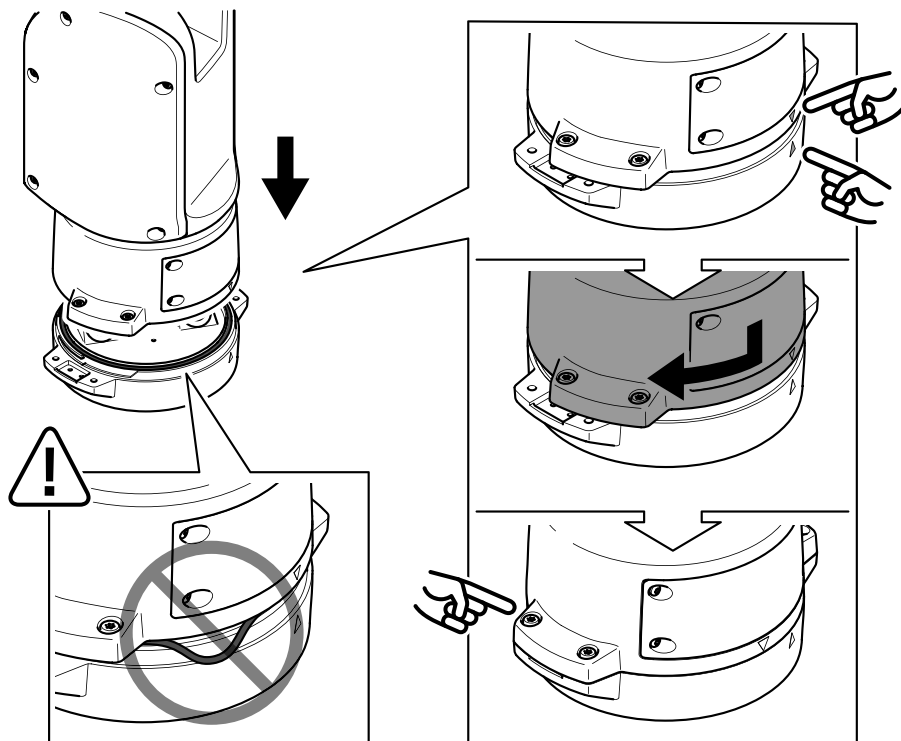
Per rendere l'installazione il più semplice possibile, si consiglia di togliere circa 90 mm del rivestimento del cavo di alimentazione e 70 mm del rivestimento del cavo I/O.

11. Installare i connettori di alimentazione e I/O.
12. Regolare i cavi di rete, I/O e di alimentazione in modo che la distanza dalla guarnizione del cavo all'estremità del connettore sia rispettivamente di 240 mm, 170 mm e 160 mm.

AXIS T99A12 Positioning Unit 24 V AC/DC

AWISO

Assicurarsi che l'anello di tenuta sia correttamente fissato al coperchio trasparente dell'unità base.

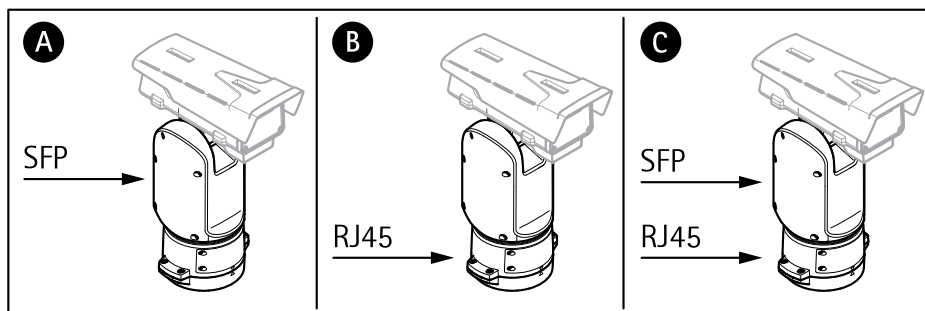


13. Collocare l'unità di posizionamento sull'unità base. Assicurarsi che le frecce sulle due unità siano allineate.
14. Ruotare l'unità di posizionamento in senso orario facendola tornare alla posizione originale e serrare le quattro viti dell'unità base (coppia 3,0 Nm).

AWISO

Accertarsi che i cavi non vengano schiacciati durante l'assemblamento delle due unità.

Installazione del collegamento di rete



IT

È possibile scegliere tra diverse opzioni quando si installa il collegamento di rete:

- A: tramite un cavo in fibra ottica o un cavo RJ45 collegato al modulo SFP (con un rispettivo connettore) nello slot SFP.
- B: tramite un cavo RJ45 collegato al connettore RJ45 fisso.
- C: tramite entrambe le opzioni precedenti. In tal caso la connessione tramite il modulo SFP funge da primo collegamento di rete e la connessione tramite RJ45 fisso funziona come collegamento di failover.

Per ulteriori informazioni sulle posizioni dei connettori di rete, vedere *Panoramica del dispositivo alla pagina 76*.

Nota

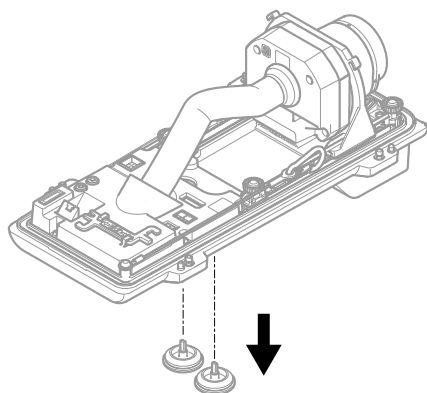
- Il modulo SFP non è incluso. Per ulteriori informazioni sui moduli SFP disponibili, vedere axis.com
- Se si installa un collegamento di rete solo tramite cavo in fibra ottica utilizzando il rispettivo modulo SFP, funziona come soluzione indipendente per le installazioni di cablaggi a lungo raggio.

Installazione della telecamera

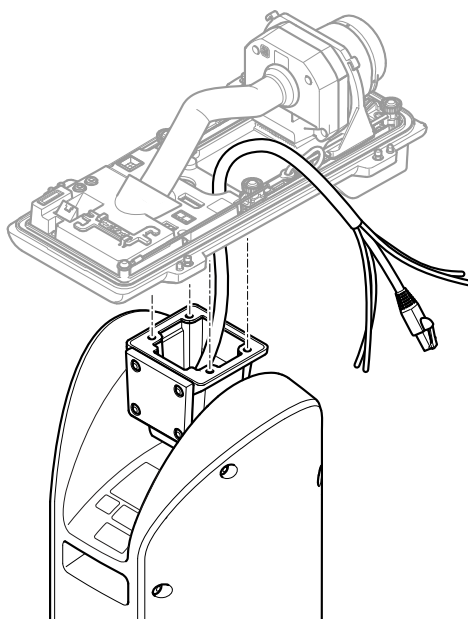
AVVISO

- Questo prodotto supporta diversi modelli di telecamera. Per un elenco completo delle telecamere supportate, consultare la pagina del prodotto all'indirizzo axis.com.
- Per istruzioni su come aprire il coperchio della telecamera, consultare la guida all'installazione della telecamera.

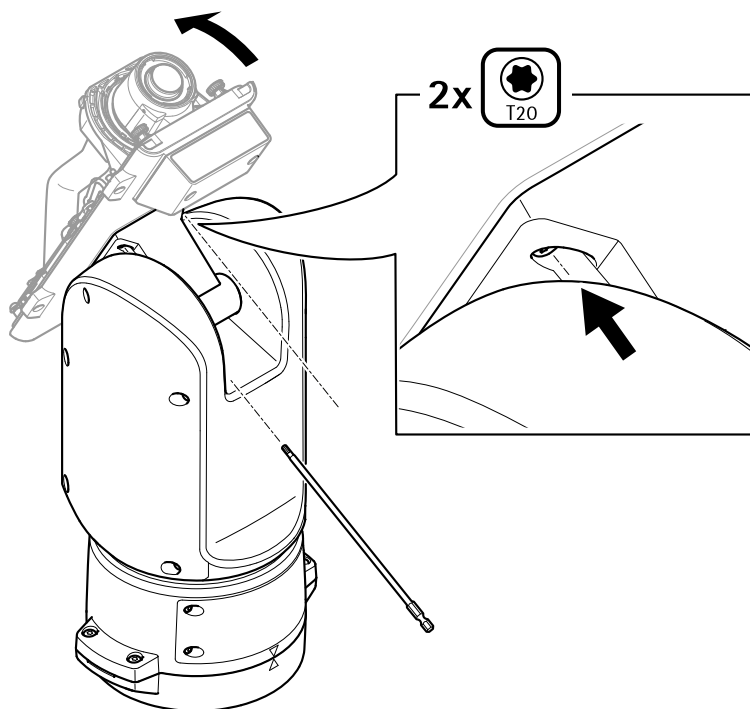
AXIS T99A12 Positioning Unit 24 V AC/DC



1. Rimuovere le guarnizioni dei cavi dal coperchio inferiore della telecamera.

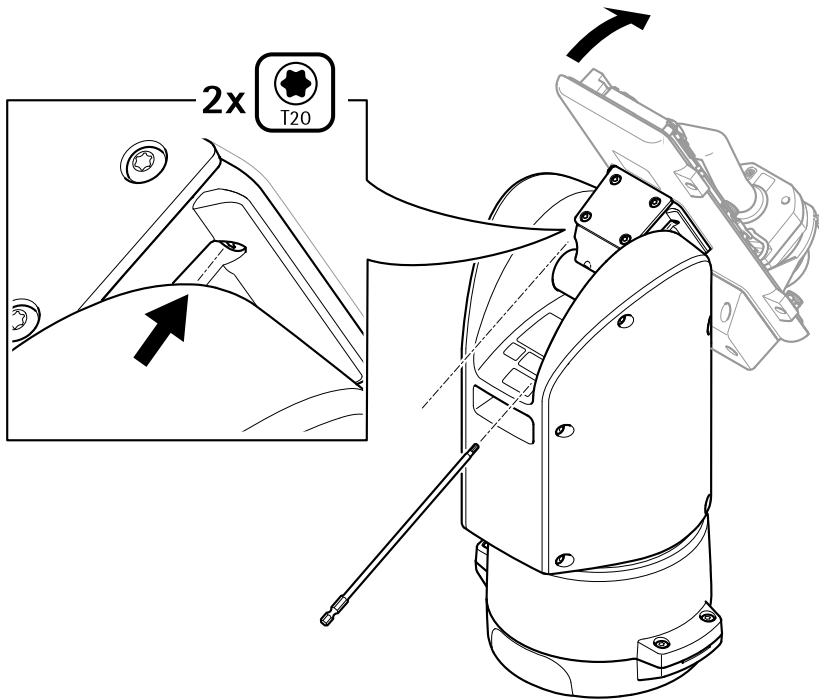


2. Inserire il cavo di rete/di alimentazione/dell'interfaccia seriale attraverso i fori nel coperchio inferiore.
3. Inserire il coperchio inferiore nell'unità di posizionamento.



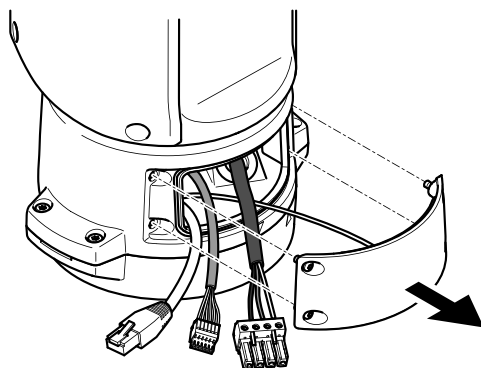
4. Inclinare il coperchio inferiore all'indietro nella posizione finale e serrare le due viti anteriori sull'unità di posizionamento (T20, serraggio 3,0 Nm).

AXIS T99A12 Positioning Unit 24 V AC/DC



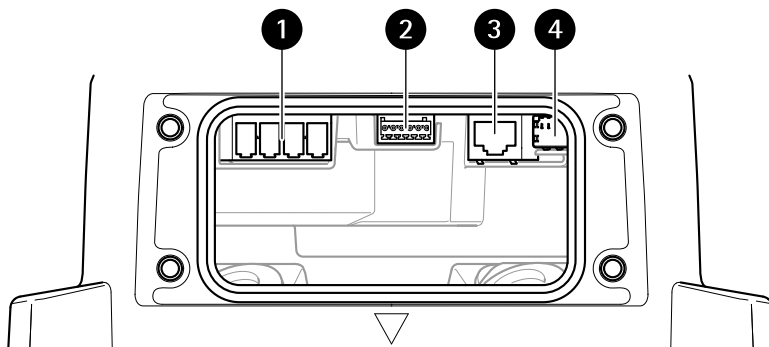
5. Inclinare il coperchio inferiore in avanti nella posizione finale e serrare le due viti posteriori dell'unità di posizionamento (T20, serraggio 3,0 Nm).
6. Eseguire il collegamento dei cavi di rete, dell'interfaccia seriale e di alimentazione della telecamera basandosi sulla guida all'installazione della telecamera. Per ulteriori informazioni sulle specifiche dei cavi, vedere *Cavo di alimentazione della telecamera alla pagina 94* e *Cavo dell'interfaccia seriale della telecamera alla pagina 94*.
7. Eseguire la finalizzazione dell'installazione della telecamera basandosi sulla guida all'installazione della telecamera.

Collegamento dei cavi



IT

1. Allentare le quattro viti (T20) del coperchio e rimuoverlo.



- 1 Connettore ingresso alimentazione
- 2 Connettore I/O
- 3 Connettore RJ45
- 4 Slot SFP per modulo SFP (modulo SFP non incluso)

2. Collegare la rete (fibra ottica e/o RJ45), I/O e i cavi di alimentazione. Per ulteriori informazioni sulle differenti opzioni di connettività di rete, vedere *Installazione del collegamento di rete alla pagina 84*.
3. Riportare il coperchio alla sua posizione e serrare le quattro viti del coperchio (coppia 3 Nm).
4. Rimuovere la copertura protettiva.

5. Applicare l'alimentazione al dispositivo.

Selezionare il driver PTZ

1. Accedere alla pagina Web della telecamera.
2. Andare a **System > Accessories > PTZ (Sistema > Accessori > PTZ)**.
3. Se la telecamera supporta sia i driver PTZ sia i PTZ digitali, selezionare la modalità **PTZ Mechanical (Meccanico)**.
4. Selezionare il driver **APTP** e fare clic su **Save (Salva)**.
5. Andare alla scheda **PTZ** e controllare che le impostazioni di panoramica e inclinazione siano disponibili.

Specifiche

Connettori

Connettore di rete

Connettore Ethernet RJ45.

Connettore SFP.

AVISO

Il dispositivo deve essere collegato con un cavo di rete schermato (STP) o con cavi in fibra ottica. Tutti i cavi che collegano il dispositivo alla rete sono destinati al loro uso specifico. Accertarsi che i dispositivi di rete siano installati secondo le istruzioni del produttore. Per maggiori informazioni sui requisiti normativi, consultare .

IT

Connettore I/O

Ingresso digitale – Per il collegamento di dispositivi che possono passare da un circuito chiuso ad uno aperto, ad esempio i sensori PIR, i contatti porta/finestra e i rilevatori di rottura.

Uscita digitale – Per il collegamento di dispositivi esterni come relè e LED. I dispositivi collegati possono essere attivati tramite l'API (interfaccia per la programmazione di applicazioni) VAPIX® attraverso un evento oppure dalla pagina Web del dispositivo.

Un fotosensore digitale – Per la ricezione di un valore relativo alla sensibilità alla luce ambiente da un fotosensore esterno. Questo viene utilizzato per controllare le funzioni per le riprese diurne/notturne del dispositivo.

Morsettiera a 6 pin configurabile

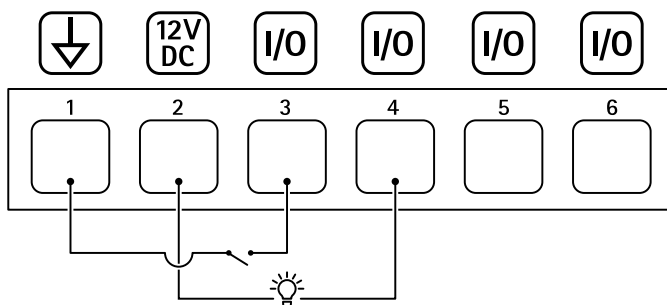


Funzione	Pin	Note	Specifiche
Terra CC	1		0 V CC
Uscita CC	2	<p>Può essere utilizzato per alimentare una periferica ausiliaria.</p> <p>Nota: questo pin può essere usato solo come uscita alimentazione.</p>	<p>12 V CC</p> <p>Carico massimo = 50 mA</p>

AXIS T99A12 Positioning Unit 24 V AC/DC

Configurabile (input oppure output)	3-6	Ingresso digitale: collegare al pin 1 per attivarlo oppure lasciarlo isolato (scollegato) per disattivarlo.	Da 0 a max 30 V CC
		Uscita digitale: collegato internamente al pin 1 (terra CC) quando attivo e isolato (scollegato) quando inattivo. Se utilizzata con un carico induttivo, ad esempio un relè, collegare un diodo in parallelo al carico per proteggere il dispositivo da sovratensioni.	Da 0 a max 30 V CC, open drain, 100 mA

Esempio



- 1 Ground CC
- 2 Output CC 12 V, max 50 mA
- 3 I/O configurato come input
- 4 I/O configurato come output
- 5 I/O configurabile
- 6 I/O configurabile

Connettore di alimentazione

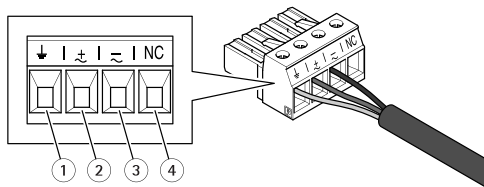
Morsettiera a 4 pin per ingresso alimentazione.

Connettore di alimentazione 24 V CA/CC

AWISO

Questa sezione è valida solo per i dispositivi alimentati a 24 V CA e 24 V CC.

AXIS T99A12 Positioning Unit 24 V AC/DC



Questa tabella è valida solo per i connettori di alimentazione da 24 V CA e da 24 V CC.

Posizione	24 V CA	24 V CC
1	Messa a terra di protezione	Messa a terra di protezione
2	Fase 24 V CA	+ 24 V
3	24 V CA Neutro	0 V
4	Non connesso	Non connesso

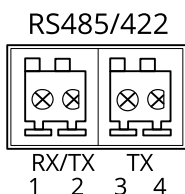
IT

Connettore RS485/RS422

Due morsettiere a 2 pin per l'interfaccia seriale RS485/RS422 utilizzate per il controllo di periferiche ausiliarie come i dispositivi di rotazione/inclinazione.

La porta seriale può essere configurata per supportare:

- RS485 a due fili, half-duplex
- RS485 a quattro fili, full-duplex
- RS422 a due fili, simplex
- Comunicazione full-duplex punto a punto con RS422 a quattro fili



Funzione	Pin	Note
RS485/RS422 RX/TX A	1	(RX) Per RS485/RS422 full duplex (RX/TX) Per RS485 half duplex
RS485/RS422 RX/TX B	2	

AXIS T99A12 Positioning Unit 24 V AC/DC

RS485/RS422 TX A	3	(TX) Per RS485/RS422 full-duplex
RS485/RS422 TX B	4	

Cavi

Spessore del cavo

Quando si utilizzano le guarnizioni per cavo fornite con il dispositivo, il diametro del cavo deve essere compreso nell'intervallo tra 5 e 11 mm.

AWISO

- Utilizzare cavi di lunghezza adeguata all'area specificata
- Selezionare i cavi nel rispetto delle normative locali
- Verificare che tutti i fori dei cavi siano correttamente sigillati
- Utilizzare guarnizioni per cavi o pressacavi corrispondenti al foro e all'area dei cavi

Per informazioni sugli accessori disponibili, come ad esempio guarnizioni per cavi e pressacavi adatti per altre aree dei cavi, visitare il sito Web www.axis.com.

Cavo dell'interfaccia seriale della telecamera

Colore del cavo	Specifica
Bianco	RS485A
Verde	RS485B

Cavo di alimentazione della telecamera

Colore del cavo	Specifica
Rosso	+ 24 V CC
Nero	0 V

Información de seguridad

Niveles de peligro

▲PELIGRO

Indica una situación peligrosa que, si no se evita, provocará lesiones graves o la muerte.

▲ADVERTENCIA

Indica una situación peligrosa que, si no se evita, puede provocar lesiones graves o la muerte.

▲PRECAUCIÓN

Indica una situación peligrosa que, si no se evita, puede provocar lesiones moderadas o leves.

AVISO

Indica una situación peligrosa que, si no se evita, puede provocar daños materiales.

Otros niveles de mensaje

Importante

Indica información importante que es fundamental para que el producto funcione correctamente.

Nota


Indica información útil que ayuda a aprovechar el producto al máximo.

Instrucciones de seguridad


▲PELIGRO

Riesgo de descarga eléctrica. Todos los cables deberán estar sin energía antes de realizar trabajos de instalación o mantenimiento en el producto.

▲PRECAUCIÓN

 Piezas móviles. Riesgo de lesiones. No acerque ninguna parte del cuerpo al producto cuando esté funcionando. Desconecte la fuente de alimentación antes de realizar trabajos de instalación o mantenimiento en el producto.

▲PRECAUCIÓN

 Superficie caliente. Riesgo de lesiones. No toque el producto cuando esté funcionando. Desconecte la fuente de alimentación y deje que se enfríen las superficies antes de realizar trabajos de mantenimiento en el producto.

AVISO

- Este producto de Axis debe utilizarse de acuerdo con las leyes y normativas locales.
- Almacene el producto de Axis en un entorno seco y ventilado.
- Evite la exposición del producto de Axis a choques o a una fuerte presión.
- No instale el producto en postes, soportes, superficies o paredes inestables.

AXIS T99A12 Positioning Unit 24 V AC/DC

- Utilice solo las herramientas correspondientes cuando instale el producto de Axis. La aplicación de una fuerza excesiva con herramientas eléctricas puede provocar daños en el producto.
- No utilice limpiadores en aerosol, agentes cáusticos ni productos químicos.
- Limpie con un paño limpio humedecido con agua pura.
- Utilice solo accesorios que cumplan con las especificaciones técnicas de su producto. Estos accesorios los puede proporcionar Axis o un tercero. Axis recomienda utilizar un equipo de suministro de alimentación de Axis compatible con su producto.
- Utilice solo piezas de repuesto proporcionadas o recomendadas por Axis.
- No intente reparar el producto usted mismo. Póngase en contacto con el servicio de asistencia técnica de Axis o con su distribuidor de Axis para tratar asuntos de reparación.
- Utilice un cable de tierra de color amarillo/verde de al menos 0,5 mm² o 20 AWG.

Transporte

AVISO

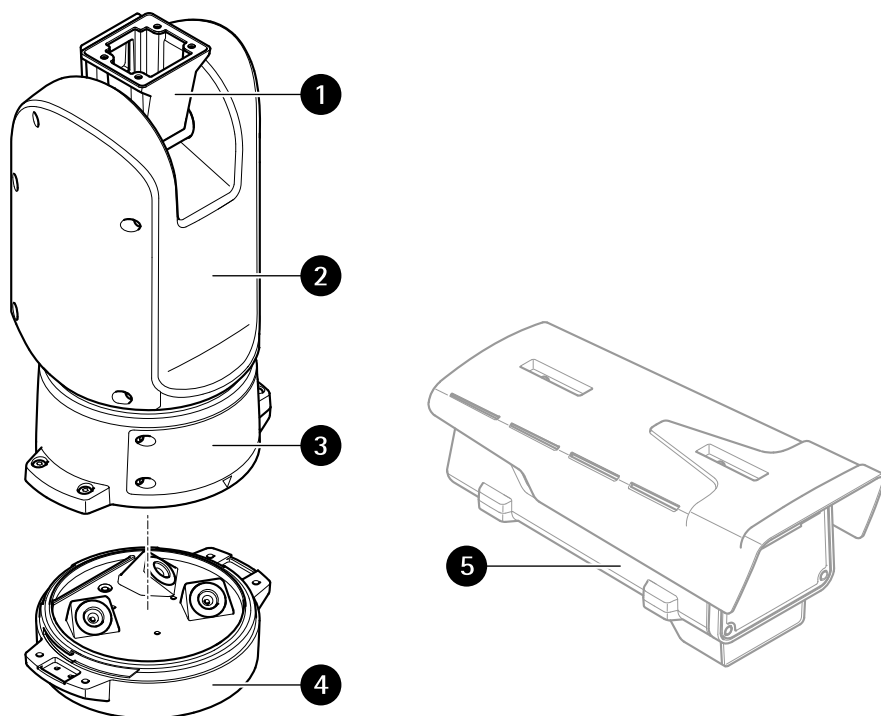
- Cuando transporte el producto de Axis, utilice el embalaje original o un equivalente para evitar daños en el producto.

Contenido del paquete

- Unidad de posicionamiento
- Conector de alimentación
- Conector de E/S
- Broca Torx® T20 (larga) y T30

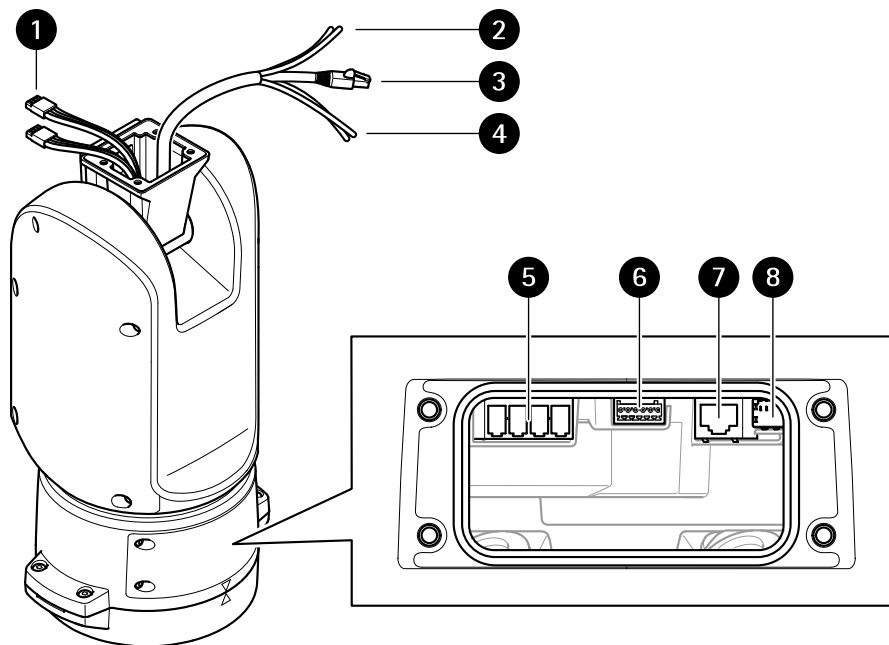
AXIS T99A12 Positioning Unit 24 V AC/DC

Información general del producto



- 1 *Unidad de posicionamiento (movimiento horizontal/vertical)*
- 2 *Unidad de posicionamiento (movimiento horizontal)*
- 3 *Tapa*
- 4 *Unidad base*
- 5 *Cámara (no incluida)*

AXIS T99A12 Positioning Unit 24 V AC/DC



- 1 Cables del iluminador (no se deben utilizar)
- 2 Cable de alimentación de la cámara
- 3 Cable de red a la cámara
- 4 Cable de interfaz serie de la cámara
- 5 Conector de entrada de corriente
- 6 Conector de E/S
- 7 Conector RJ45
- 8 Ranura SFP para módulo SFP (módulo SFP no incluido)

ES

Cómo instalar el producto

⚠ PELIGRO

Riesgo de descarga eléctrica. Todos los cables deben estar sin energía antes de instalar el producto.

⚠ PRECAUCIÓN

Las conexiones eléctricas y las instalaciones de los conductos debe realizarlas un electricista cualificado, de conformidad con la normativa local.

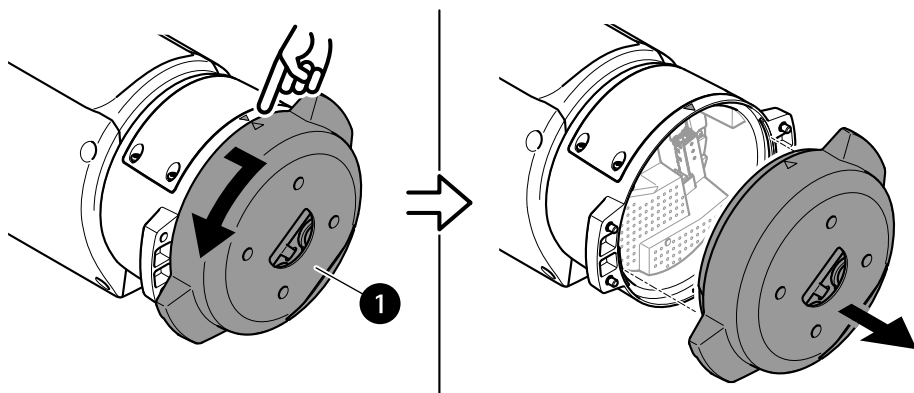
⚠ PRECAUCIÓN

⚠ Riesgo de lesiones. Piezas móviles. No acerque ninguna parte del cuerpo al producto mientras esté funcionando. Desconecte la fuente de alimentación antes de realizar trabajos de instalación o mantenimiento en el producto.

⚠ PRECAUCIÓN

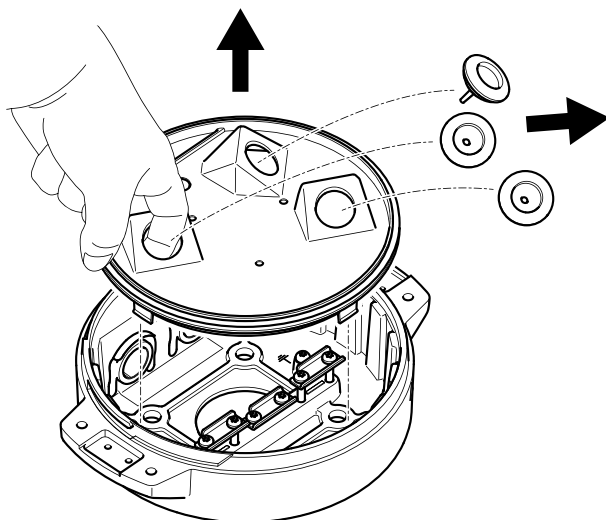
⚠ Riesgo de lesiones. Superficie caliente. No toque el producto durante su funcionamiento. Desconecte la fuente de alimentación y deje que se enfrien las superficies antes de realizar trabajos de mantenimiento en el producto.

Montaje de la unidad base



1 Unidad base

1. Quite los cuatro tornillos (T30) de la unidad base.
2. Tire de la base a la vez que la gira en sentido contrario a las agujas del reloj hasta alinear las flechas de la unidad base con el resto de la unidad de posicionamiento.
3. Extraiga la unidad base.

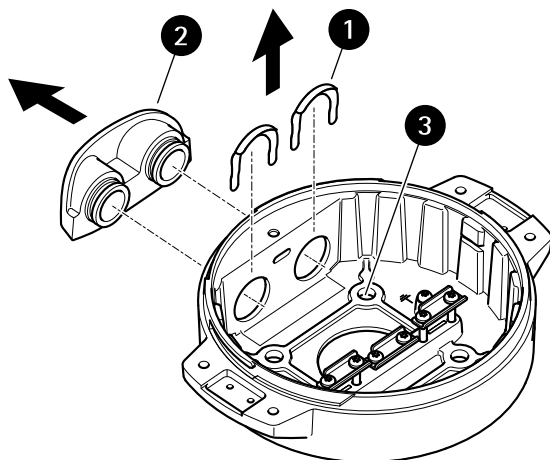


ES

AVISO

No utilice herramientas afiladas al retirar la cubierta transparente de la unidad base.

4. Extraiga la cubierta transparente de la unidad base.



- 1 *Clip de cubierta de conducto*
- 2 *Cubierta de conducto*

AXIS T99A12 Positioning Unit 24 V AC/DC

3 Orificio para tornillo (4)

5. Para instalaciones con conducto solo: retire los dos clips de cubierta de conducto y, a continuación, la cubierta de conducto.
6. Fije la unidad base a la superficie de montaje mediante los fijadores adecuados en los cuatro orificios para tornillos.

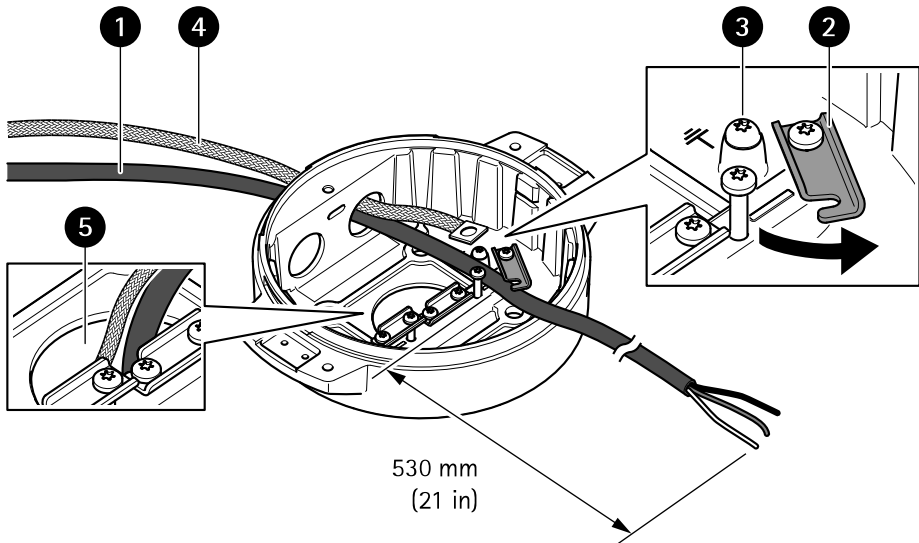
Guía de los cables

⚠ADVERTENCIA

Riesgo de descarga eléctrica. El producto debe conectarse a tierra mediante el cable de tierra protector en el cable de alimentación y el cable trenzado de tierra. Asegúrese de que los dos extremos del cable de tierra protector y el cable trenzado de tierra estén en contacto con sus respectivas superficies de toma de tierra.

Importante

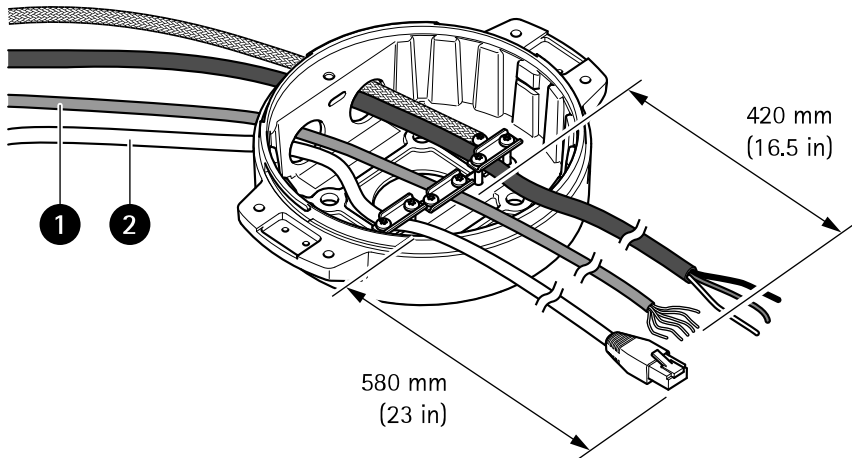
Utilice solo los cables que cumplan los requisitos del área de cableado especificada. Para obtener más información, consulte *Grosor del cable en la página 116*.



- 1 Cable de alimentación (no incluido)
- 2 Descarga de tracción
- 3 Tornillo de toma de tierra
- 4 Cable trenzado de tierra (no incluido)
- 5 Orificio inferior para cable

AXIS T99A12 Positioning Unit 24 V AC/DC

1. Instale los adaptadores de conducto opcionales (no incluidos).
2. Conecte el cable trenzado de tierra al tornillo de tierra.
3. Pase el cable de alimentación, el cable de E/S y el cable de red a través del orificio de la unidad base como se muestra en la ilustración anterior. También puede pasarlos por el orificio del cable inferior.
4. Pase el cable de alimentación por la descarga de tracción con una distancia de 530 mm entre esta y el extremo del cable.

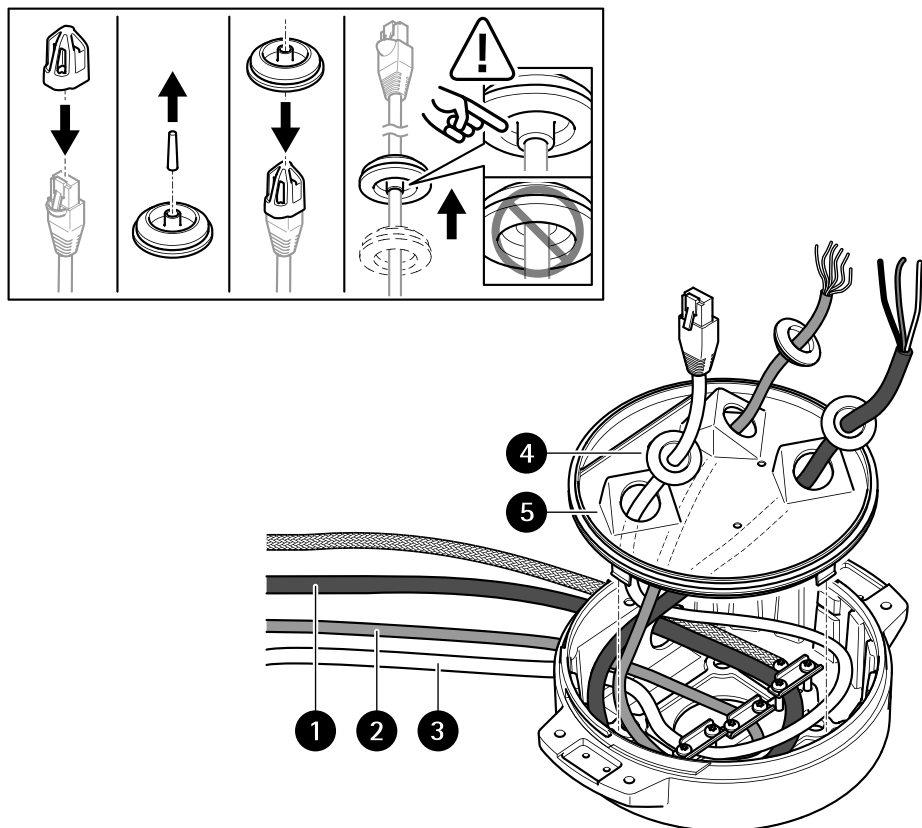


- 1 Cable de E/S (opcional, no incluido)
- 2 Cable de red (no incluido)

5. Introduzca el cable de E/S (opcional) a través de la descarga de tracción con una distancia de 420 mm entre esta y el extremo del cable.
6. Introduzca el cable de red (cable de fibra óptica o cable RJ45) con una distancia de 580 mm entre la descarga de tracción y el extremo del conector. Para obtener más información sobre las opciones de conectividad de la red, consulte *Instalación del enlace de red en la página 106*.
7. Cierre y apriete las tres descargas de tracción.

ES

AXIS T99A12 Positioning Unit 24 V AC/DC



- 1 Cable de alimentación (no incluido)
- 2 Cable de E/S (opcional, no incluido)
- 3 Cable de red (no incluido)
- 4 Junta de cable
- 5 Cubierta transparente de la unidad base

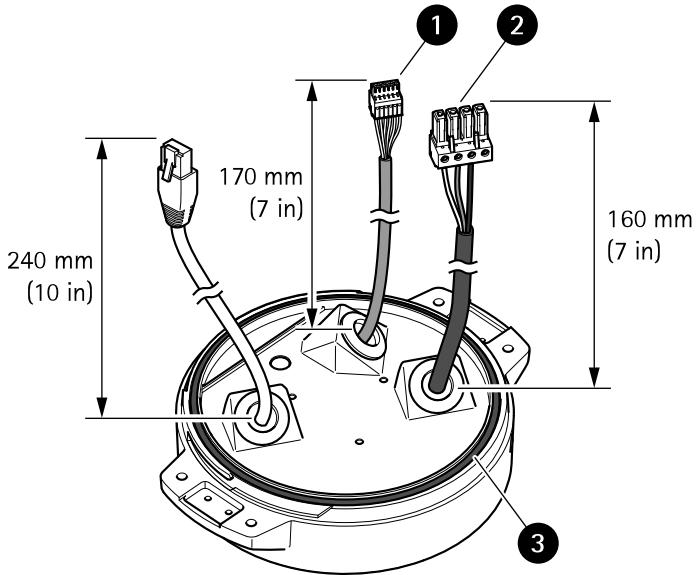
8. Ponga juntas en los cables. Consulte *Grosor del cable en la página 116*.
9. Pase los cables de alimentación, E/S y red con las juntas por los orificios de la cubierta transparente de la unidad base y dispóngalos como se muestra en la ilustración anterior.

AVISO

Si usa un cable de fibra óptica y un cable RJ45 para la conexión de red, pase el cable de fibra óptica por la misma junta que el cable de E/S. Aplique un sellador entre los cables y la junta de cable para que no haya fugas. Para obtener más información sobre las opciones de conectividad de la red, consulte *Instalación del enlace de red en la página 106*.

AXIS T99A12 Positioning Unit 24 V AC/DC

10. Coloque la cubierta transparente de la unidad base en la unidad y ponga las juntas de cable en los orificios.



- 1 Conector de E/S
2 Conector de alimentación
3 Junta tórica

AVISO

A fin de evitar desconectar accidentalmente la unidad de la alimentación si se tira del cable, deje el cable protector de tierra unos 10 mm más largo que los otros dos cables (en el cable de alimentación).

Nota

Para que la instalación resulte lo más sencilla posible, le recomendamos retirar aproximadamente 90 mm de la camisa del cable de alimentación y 70 mm de la camisa del cable de E/S.

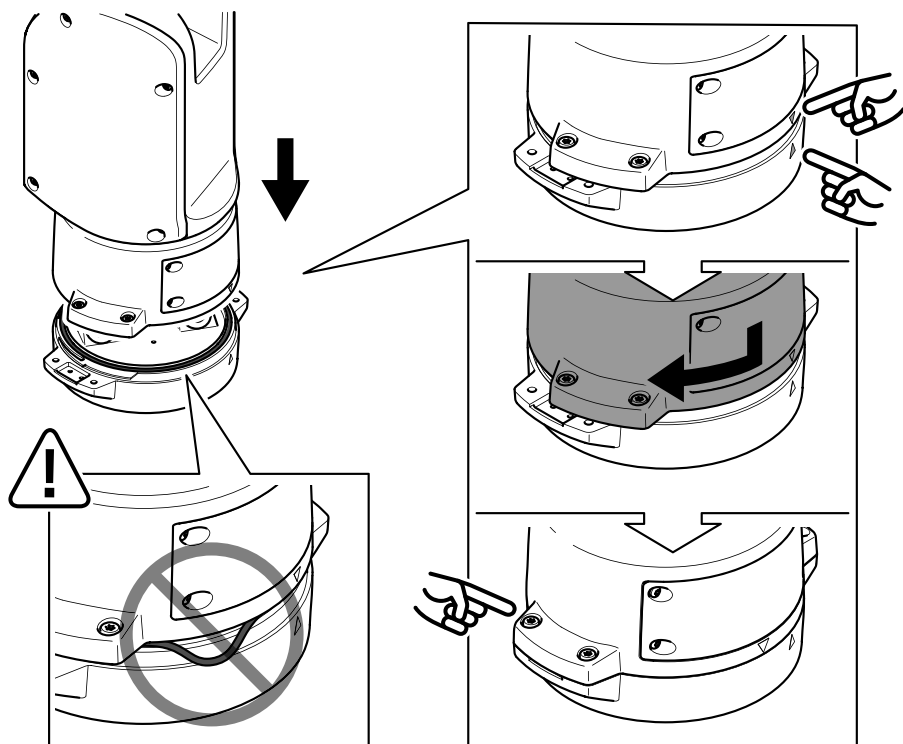
11. Instale los conectores de alimentación y E/S.
12. Ajuste los cables de red, E/S y alimentación de forma que la distancia entre la junta de cable y el extremo del conector sea de 240 mm, 170 mm y 160 mm respectivamente.

AVISO

Compruebe que la junta tórica está bien puesta en torno a la cubierta transparente de la unidad base.

ES

AXIS T99A12 Positioning Unit 24 V AC/DC

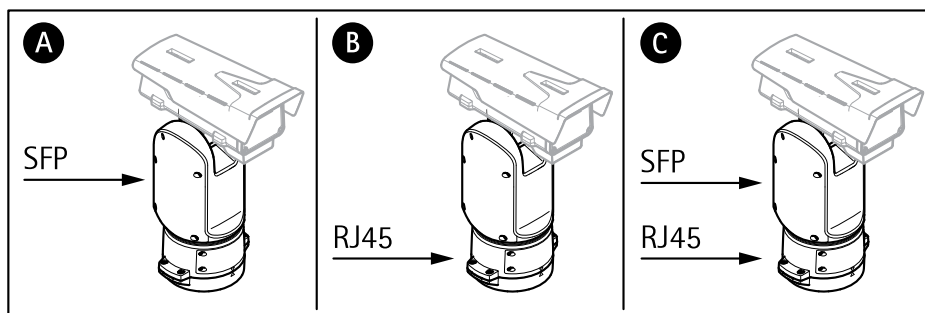


13. Coloque la unidad de posicionamiento en la unidad base. Asegúrese de que las flechas de las dos unidades estén alineadas.
14. Gire la unidad de posicionamiento en sentido horario hasta su posición original y apriete los cuatro tornillos de la base (par 3,0 Nm).

AVISO

Compruebe que los cables no quedan presionados al montar las dos unidades.

Instalación del enlace de red



Puede elegir entre diferentes opciones para instalar el enlace de red:

- A: a través de un cable de fibra óptica o RJ45 conectado al módulo SFP (con el correspondiente conector) en la ranura SFP.
- B: con un cable RJ45 unido al conector RJ45 fijado.
- C: mediante las dos opciones anteriores, en cuyo caso la conexión del módulo SFP funciona como enlace de red principal y la conexión a través del conector RJ45 fijado funciona como enlace para casos de error.

ES

Para obtener más información sobre las ubicaciones de los conectores de red, consulte *Información general del producto* en la página 98.

Nota

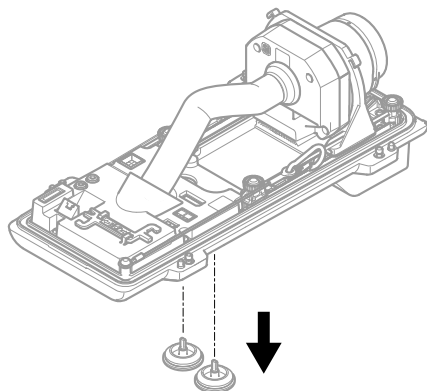
- El módulo SFP no se incluye. Para obtener información sobre los módulos SFP disponibles, consulte axis.com.
- Si instala un enlace de red únicamente con el cable de fibra óptica a través del correspondiente módulo SFP, funcionará como solución independiente en instalaciones con cables de largo alcance.

Instalación de la cámara

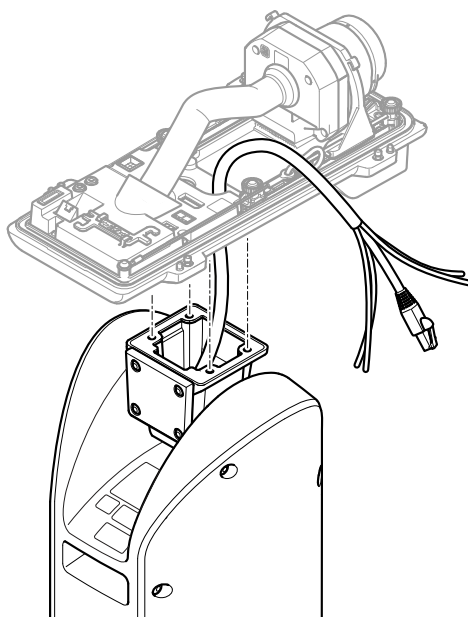
AVISO

- Este producto admite distintos modelos de cámara. Para obtener un listado completo de cámaras compatibles, acceda a la página de productos en axis.com.
- Para obtener instrucciones sobre cómo abrir la cubierta de la cámara, consulte la guía de instalación de la cámara.

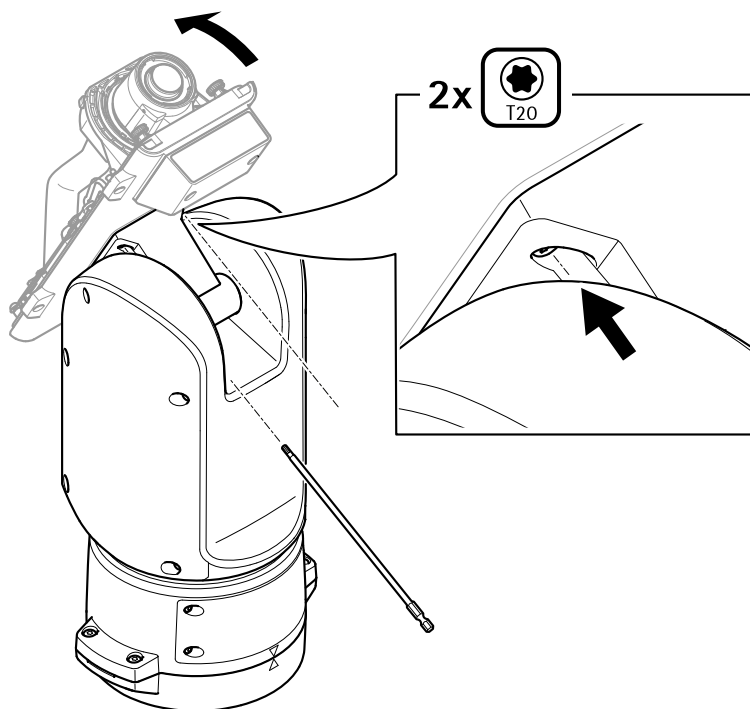
AXIS T99A12 Positioning Unit 24 V AC/DC



1. Retire las juntas de cable de la cubierta inferior de la cámara.

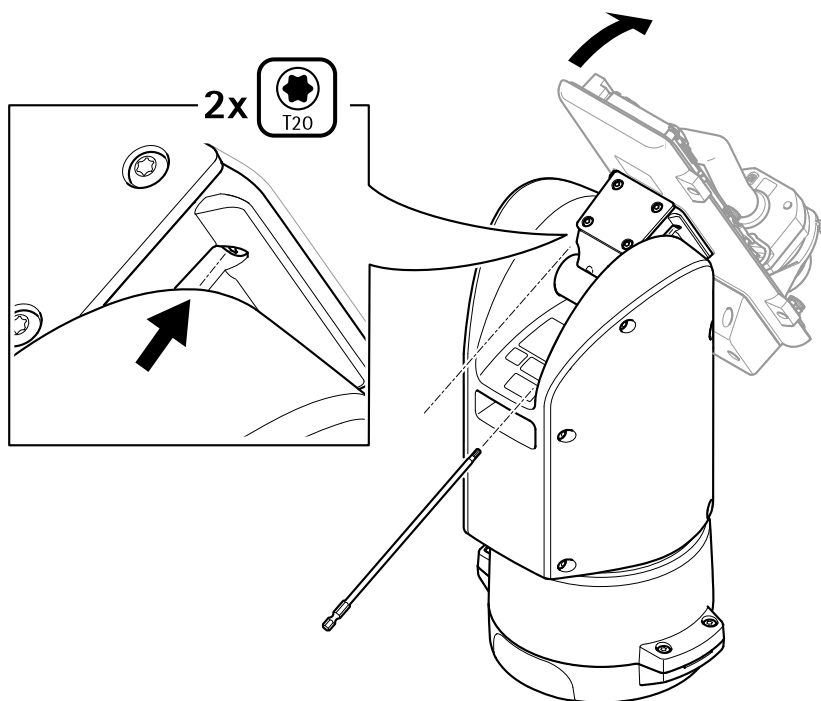


2. Pase el cable de red/alimentación/interfaz serie por los orificios de la cubierta inferior.
3. Ponga la cubierta inferior en la unidad de posicionamiento.



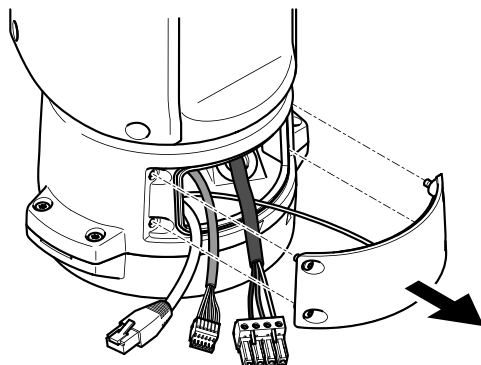
ES

4. Incline la cubierta inferior hacia atrás al máximo y apriete los dos tornillos delanteros de la unidad de posicionamiento (T20, par 3,0 Nm).

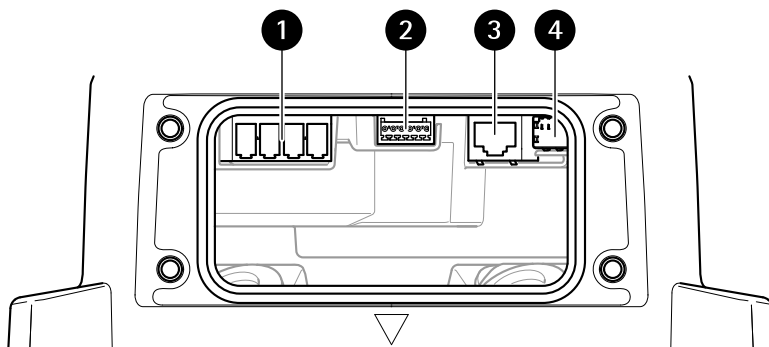


5. Incline la cubierta inferior hacia delante al máximo y apriete los dos tornillos traseros de la unidad de posicionamiento (T20, par 3,0 Nm).
6. Conecte los cables de red, de interfaz serie y de alimentación de la cámara según la guía de instalación de la cámara. Para obtener más información sobre las especificaciones de los cables, consulte *Cable de alimentación de la cámara en la página 116* y *Cable de interfaz serie de la cámara en la página 116*.
7. Finalice la instalación de la cámara según la guía de instalación de la cámara.

Conexión de los cables



1. Afloje los cuatro tornillos (T20) de la tapa de la base y retírela.



- 1 Conector de entrada de corriente
- 2 Conector de E/S
- 3 Conector RJ45
- 4 Ranura SFP para módulo SFP (módulo SFP no incluido)

2. Conecte la red (fibra óptica o RJ45), la E/S y los cables de alimentación. Para obtener más información sobre las opciones de conectividad de la red, consulte *Instalación del enlace de red en la página 106*.
3. Vuelva a colocar la tapa en su posición y apriete los cuatro tornillos de la tapa (par 3,0 Nm).
4. Extraiga la cubierta protectora.

5. Conecte la alimentación del producto.

Selección de controlador PTZ

1. Vaya a la página web de la cámara.
2. Vaya a **System > Accessories > PTZ** (Sistema > Accesorios > PTZ).
3. Si la cámara admite controladores PTZ y digitales, seleccione el modo de **PTZ Mechanical (Mecánico)**.
4. Seleccione el controlador **APTP** y haga clic en **Save (Guardar)**.
5. Vaya a la pestaña **PTZ** y compruebe que los ajustes de panorámica e inclinación están disponibles.

Especificaciones

Conectores

Conector de red

Conector Ethernet RJ45.

Conector SFP.

AVISO

El producto debe conectarse mediante un cable de red blindado (STP) o un cable de fibra óptica. Todos los cables que conecten el producto a la red deberán estar blindados para su uso específico. Asegúrese de que los dispositivos de red estén instalados de conformidad con las instrucciones del fabricante. Para obtener información sobre los requisitos normativos, vea .

ES

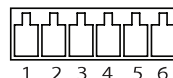
Conector de E/S

Entrada digital – Conectar dispositivos que puedan alternar entre circuitos cerrados y abiertos, por ejemplo, sensores PIR, contactos de puertas y ventanas o detectores de cristales rotos.

Salida digital – Conectar dispositivos externos como relés y LED. Los dispositivos conectados se pueden activar mediante la interfaz de programación de aplicaciones VAPIX®, mediante un evento o desde la página web del producto.

Sensor de luz digital – Para recibir un valor de la intensidad de la luz ambiental desde un sensor de luz externo. Se utiliza para controlar la funcionalidad día/noche del producto.

Bloque de terminales configurable de 6 pines

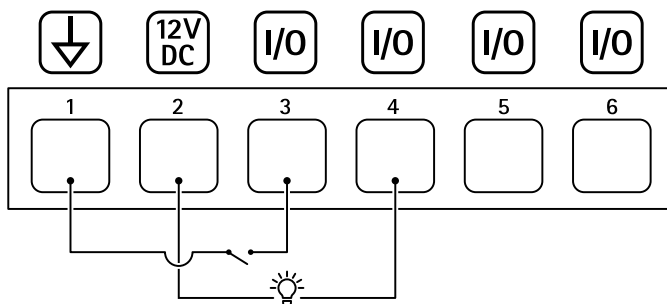


Función	Pin	Notas	Especificaciones
Tierra CC	1		0 V CC
Salida de CC	2	Se puede utilizar para conectar el equipo auxiliar. Nota: Este pin solo se puede utilizar como salida de alimentación.	12 V CC Carga máx. = 50 mA

AXIS T99A12 Positioning Unit 24 V AC/DC

Configurable (entrada o salida)	3-6	Entrada digital: conéctela al pin 1 para activarla, o bien déjela suelta (desconectada) para desactivarla.	De 0 a un máximo de 30 V CC
		Salida digital: conectada internamente a pin 1 (tierra CC) cuando está activa; y suelta (desconectada), cuando está inactiva. Si se utiliza con una carga inductiva, por ejemplo, un relé, conecte un diodo en paralelo a la carga como protección contra transitorios de tensión.	De 0 a un máximo de 30 V CC, colector abierto, 100 mA

Ejemplo



- 1 Tierra CC
- 2 Salida de CC 12 V, 50 mA máx.
- 3 E/S configurada como entrada
- 4 E/S configurada como salida
- 5 E/S configurable
- 6 E/S configurable

Conector de alimentación

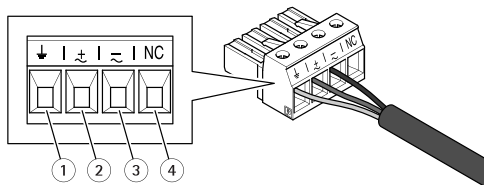
Bloque de terminales de 4 pines para la entrada de alimentación.

Conector de alimentación de 24 V CA/CC

AVISO

Esta sección solo es válida para los productos con alimentación de 24 V CA y 24 V CC.

AXIS T99A12 Positioning Unit 24 V AC/DC



Esta tabla solo es válida para los conectores de alimentación de 24 V CA y 24 V CC.

Posición	24 V CA	24 V CC
1	Conexión a tierra de protección	Conexión a tierra de protección
2	Fase de 24 V CA	+ 24 V
3	Neutro de 24 V CA	0 V
4	No conectado	No conectado

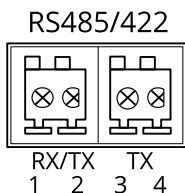
ES

Conector RS485/RS422

Dos bloques de terminales de 2 pines para la interfaz serie RS485/RS422 usada para controlar equipos auxiliares, como dispositivos de movimiento horizontal/vertical.

El puerto serie puede configurarse para admitir:

- Semidúplex RS485 de dos cables
- Dúplex completo RS485 de cuatro cables
- Símples RS422 de dos cables
- Dúplex completo RS422 de cuatro cables para comunicación dúplex punto a punto



Función	Pin	Notas
RS485/RS422 RX/TX A	1	(RX) para dúplex completo RS485/RS422 (RX/TX) para semidúplex RS485
RS485/RS422 RX/TX B	2	

AXIS T99A12 Positioning Unit 24 V AC/DC

RS485/RS422 TX A	3	(TX) para dúplex completo RS485/RS422
RS485/RS422 TX B	4	

Cables

Grosor del cable

El diámetro del cable, si se usan las juntas para cables suministradas con este producto, debe ser de entre 5 y 11 mm.

AVISO

- Utilice cables que puedan permanecer dentro del área de cableado especificada.
- Elija cables que cumplan la normativa local aplicable.
- Asegúrese de que todos los orificios para cables estén debidamente sellados.
- Utilice juntas de cable o prensaestopas que se ajusten tanto al orificio para cable como al área de cableado.

Para obtener información acerca de los accesorios, como juntas de cable y prensaestopas permitidos para otras áreas de cableado, visite www.axis.com.

Cable de interfaz serie de la cámara

Color del cable	Especificaciones
Blanco	RS485A
Verde	RS485B

Cable de alimentación de la cámara

Color del cable	Especificaciones
Rojo	+ 24 V CC
Negro	0 V

安全情報

危険レベル

▲危険

回避しない場合、死亡または重傷につながる危険な状態を示します。

▲警告

回避しない場合、死亡または重傷につながるおそれのある危険な状態を示します。

▲注意

回避しない場合、軽傷または中程度の怪我につながるおそれのある危険な状態を示します。

注意

回避しない場合、器物の破損につながるおそれのある状態を示します。

その他のメッセージレベル

重要

製品を正しく機能させるために不可欠な重要情報を示します。

注


製品を最大限に活用するために役立つ有用な情報を示します。

安全手順


▲危険

感電の危険があります。製品の設置やメンテナンスを行う前にすべてのケーブルの通電を切ってください。

▲注意

 可動部品が含まれています。怪我をする恐れがあります。動作中は、身体の一部を本製品に近づけないでください。本製品の設置やメンテナンスを行う前には電源を切ってください。

▲注意

 表面が熱くなります。怪我をする恐れがあります。動作中は、本製品に触れないでください。本製品のメンテナンスを行う前には電源を切り、表面が冷えるまで待ってください。

注意

- 本製品は、お使いになる地域の法律や規制に準拠して使用してください。
- 本製品は乾燥した換気のよい環境に保管してください。
- 本製品に衝撃または強い圧力を加えないでください。

AXIS T99A12 Positioning Unit 24 V AC/DC

- 本製品を不安定なポール、ブラケット、表面、または壁に設置しないでください。
- 本製品を設置する際には、適切な工具のみを使用してください。電動工具を使用して過剰な力をかけると、製品が損傷することがあります。
- 化学薬品、腐食剤、噴霧式クリーナーは使用しないでください。
- 清掃には、きれいな水に浸した清潔な布を使用してください。
- 製品の技術仕様に準拠したアクセサリのみを使用してください。これらのアクセサリは、Axisまたはサードパーティから入手できます。Axisは、ご使用の製品と互換性のあるAxis給電ネットワークスイッチの使用を推奨します。
- Axisが提供または推奨する交換部品のみを使用してください。
- 製品を自分で修理しないでください。修理については、Axisサポートまたは販売代理店にお問い合わせください。
- 最低0.5 mm²または20 AWGの黄/緑色のアースケーブルを使用してください。

輸送

注意

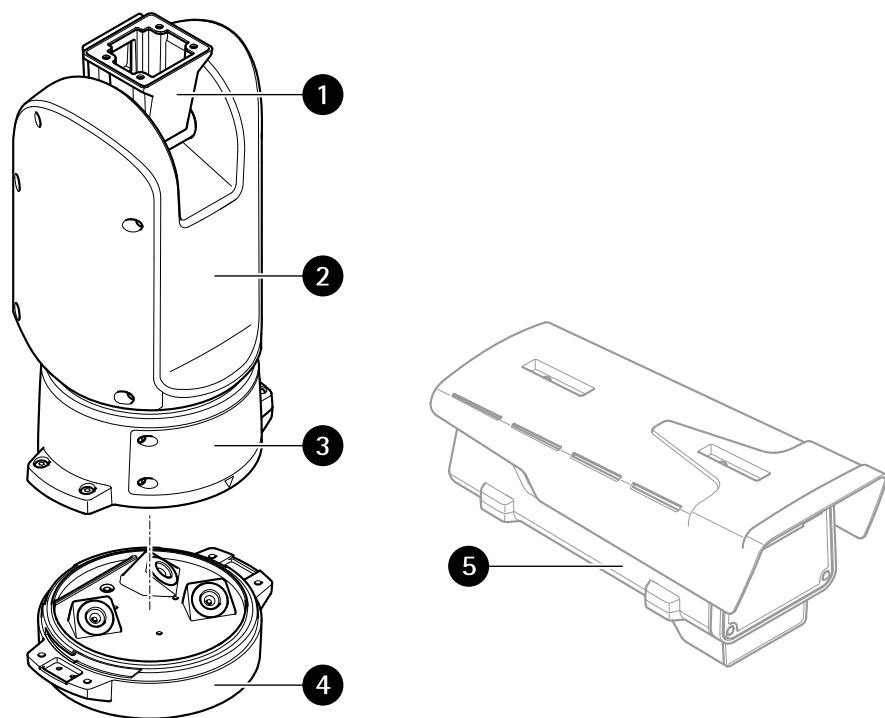
- 本製品を運搬する際は、製品が損傷しないよう、元の梱包か同等の梱包を使用してください。

パッケージの内容

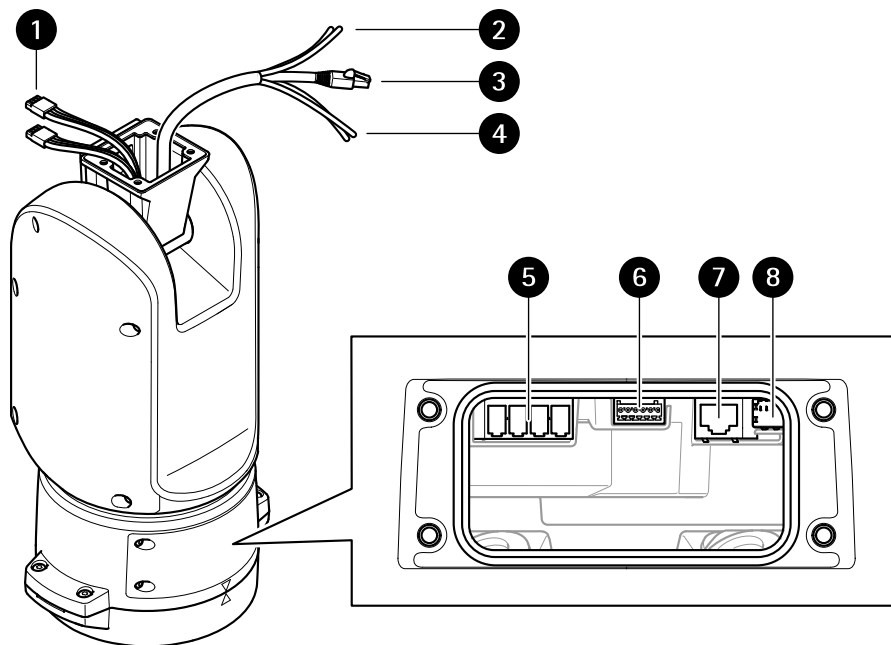
- ポジショニングユニット
- 電源コネクタ
- I/Oコネクタ
- Torx®ビットT20 (ロング) およびT30

AXIS T99A12 Positioning Unit 24 V AC/DC

製品の概要



- 1 ポジショニングユニット(チルト)
- 2 ポジショニングユニット(パン)
- 3 蓋
- 4 ベースユニット
- 5 カメラ(別売り)



- 1 イルミネーターケーブル (使用しない)
- 2 カメラの電源ケーブル
- 3 カメラのネットワークケーブル
- 4 カメラのシリアルインターフェースケーブル
- 5 入力電力コネクタ
- 6 I/Oコネクタ
- 7 RJ45コネクタ
- 8 SFPモジュール用SFPスロット (SFPモジュールは付属していません)

製品の取り付け方法

▲危険

感電の危険があります。製品を設置する前に、すべてのケーブルの通電を切ってください。

▲注意

電気接続およびコンジットの取り付けは、必ず資格のある電気技師が地域の規制に従って行ってください。

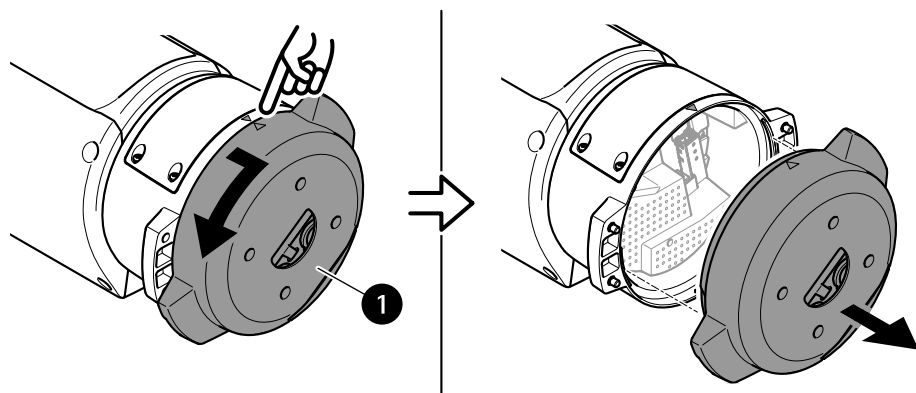
▲注意

⚠ 損傷の危険があります。可動部分。動作中は、体を製品に近づけないでください。製品の設置やメンテナンスを行う前には電源を切ってください。

▲注意

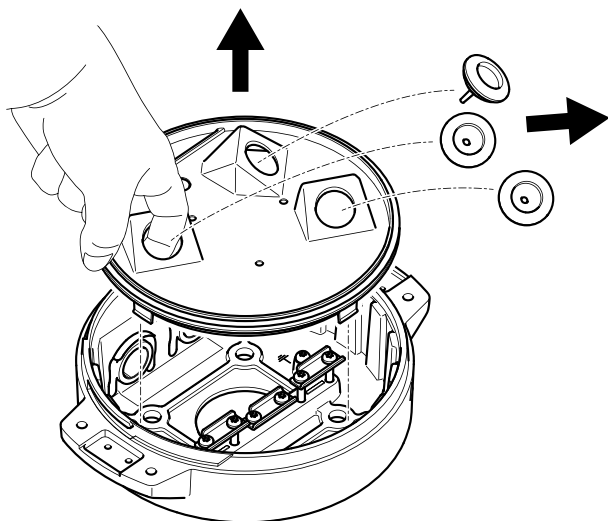
⚠ 損傷の危険があります。表面が熱くなります。動作中は、本製品に触れないでください。製品のメンテナンスを行う前に、電源を切り、表面が冷えるまで待ってください。

ベースユニットの取り付け



1 ベースユニット

1. ベースユニットのネジ4本 (T30) を外します。
2. ベースユニットと残りの位置決めユニットの矢印が揃うまで、ベースユニットを同時に反時計回りに引いて回します。
3. ベースユニットを取り外します。

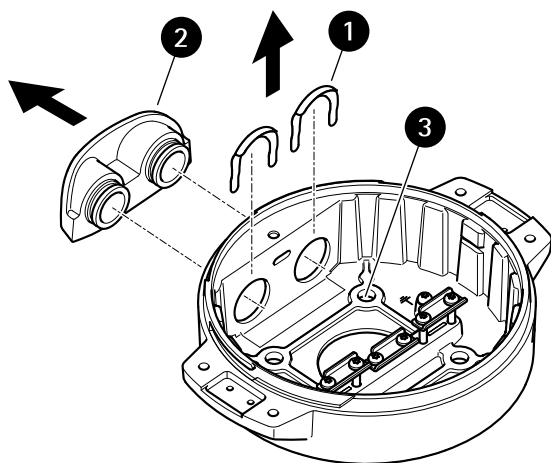


JA

注意

透明ベースユニットカバーの取り外しの際には、鋭利な工具を使用しないでください。

4. 透明ベースユニットカバーを取り外します。



1 コンジットカバークリップ

AXIS T99A12 Positioning Unit 24 V AC/DC

- 2 コンジットカバー
- 3 ネジ穴 (x4)

5. コンジットの取り付けの場合にのみ、2つのコンジットカバークリップを取り外し、コンジットカバーを取り外します。
6. 4つのネジ穴に適したファスナーで、ベースユニットを取付面に取り付けます。

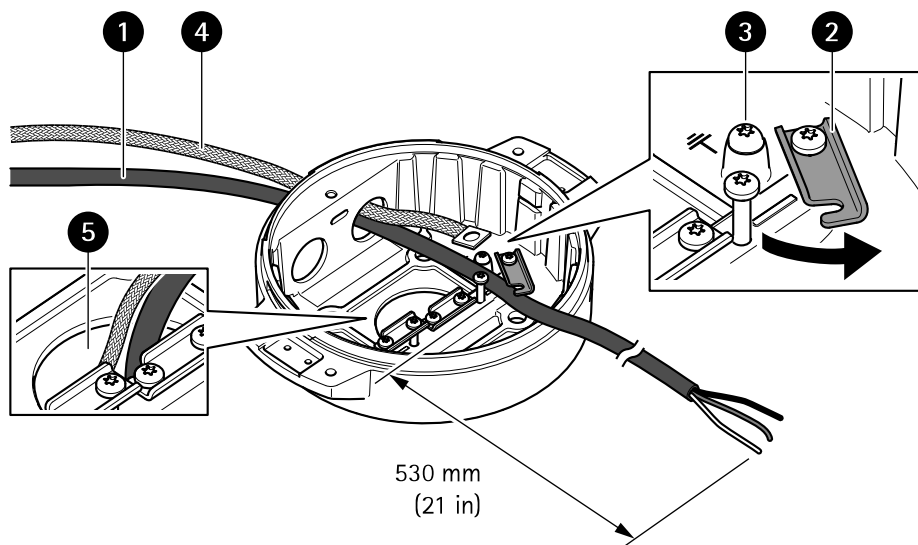
ケーブルの配線

▲警告

感電の危険があります。本製品は、電源ケーブルおよび接地編組の両方に保護アース線を使用して接地するものとします。保護アース線と接地編組のそれぞれの両端がいずれもアース面と接触していることを確認してください。

重要

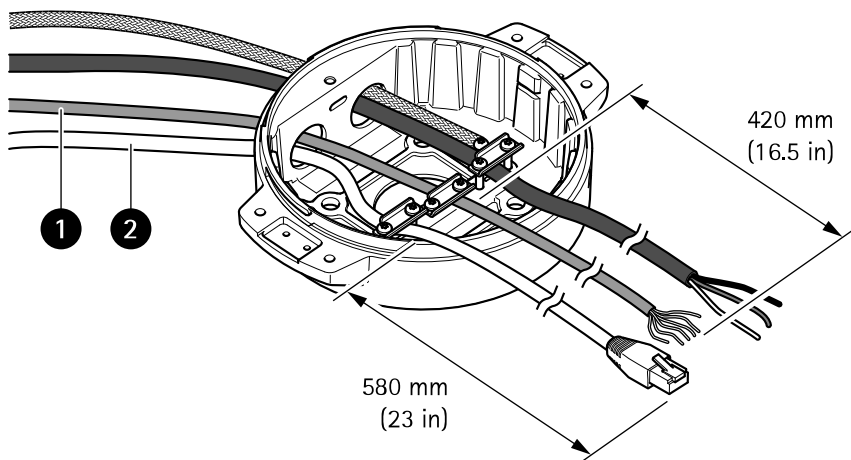
指定のケーブルエリアでの仕様に準拠したケーブルのみ使用してください。詳細については、138ページ、ケーブルの太さを参照してください。



- 1 電源ケーブル (付属していません)
- 2 ストレインリリーフ
- 3 アース端子ネジ
- 4 接地編組 (付属していません)
- 5 底部ケーブル孔

AXIS T99A12 Positioning Unit 24 V AC/DC

1. オプションのコンジットアダプター (付属していません) を取り付けます。
2. 接地編組をアース端子ネジに接続します。
3. 上図に示すように、ベースユニットの穴から電源ケーブル、I/Oケーブル、およびネットワークケーブルを挿入します。あるいは、それらを底部ケーブル孔から挿入します。
4. ストレインリリーフからケーブルの先端までの距離が530 mmになるように、ストレインリリーフを通じて電源ケーブルを挿入します。

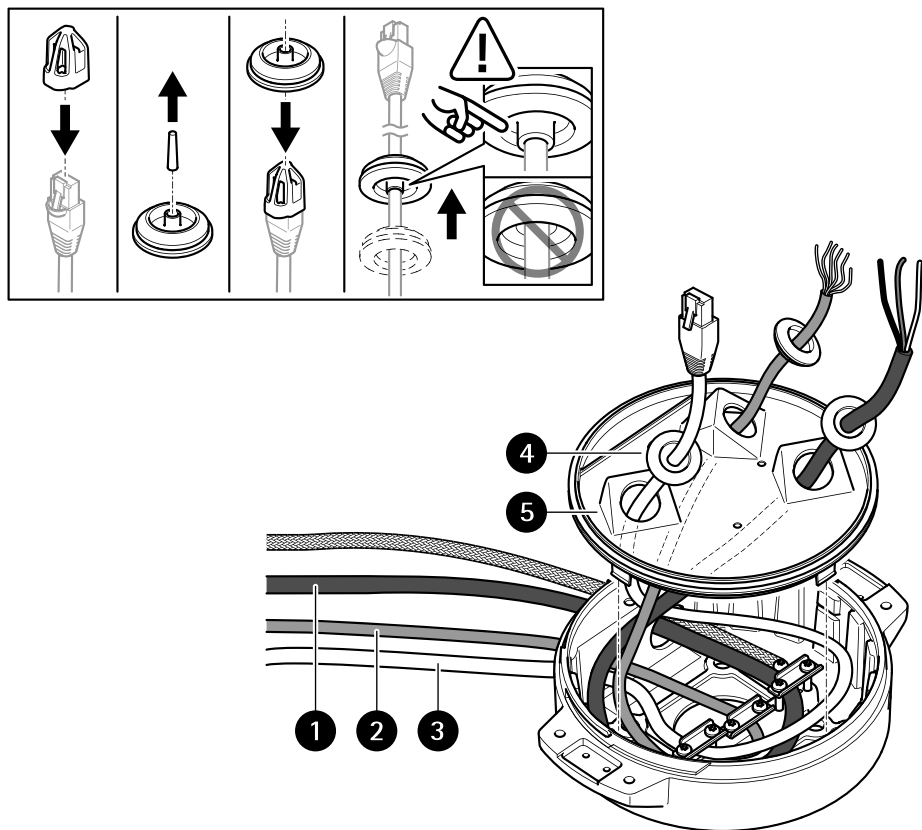


- 1 I/Oケーブル (オプション、付属していません)
- 2 ネットワークケーブル (付属していません)

5. ストレインリリーフからケーブルの先端までの距離が420 mmになるように、ストレインリリーフを通じてI/Oケーブル (オプション) を挿入します。
6. ストレインリリーフからコネクタの先端までの距離が580 mmになるように、ストレインリリーフを通じてネットワークケーブル (光ファイバーケーブルやRJ45ケーブル) を挿入します。さまざまなネットワーク接続オプションの詳細については、128ページ、ネットワークリンクのインストールを参照してください。
7. 3つのストレインリリーフを閉じて締めます。

JA

AXIS T99A12 Positioning Unit 24 V AC/DC



- 1 電源ケーブル (付属していません)
- 2 I/Oケーブル (オプション、付属していません)
- 3 ネットワークケーブル (付属していません)
- 4 ケーブルガasket
- 5 透明ベースユニットカバー

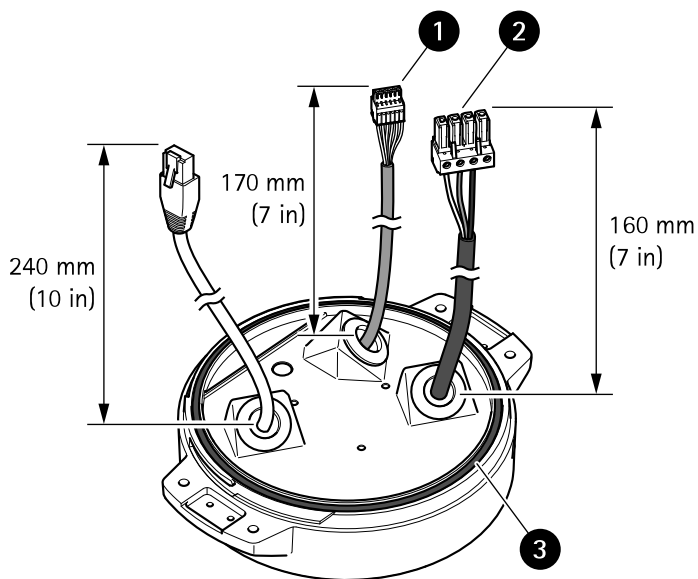
8. ケーブルに合ったケーブルガasketを取り付けます。138ページ、ケーブルの太さを参照してください。
9. 上図に示すように、ケーブルガasketを含めて、電源ケーブル、I/Oケーブル、ネットワークケーブルを透明ベースユニットのカバー孔から挿入し、ケーブルの配置を調整します。

注意

光ファイバーとRJ45ケーブルの両方をネットワーク接続に使用している場合、光ケーブルはI/Oケーブルと同じケーブルガasketを通します。漏電防

止のために、シーラントをケーブルとケーブルガasketの間に貼り付けます。さまざまなネットワーク接続オプションの詳細については、128ページ「ネットワークリンクのインストール」を参照してください。

10. ベースユニットの上に透明ベースユニットカバーを置き、穴の内側にケーブルガasketをはめ込みます。



- 1 I/Oコネクタ
- 2 電源コネクタ
- 3 O-リング

注意

ケーブルが引っ張られた場合に誤って装置を電源から切断しないように、保護接地線は他の2本の線(電源ケーブル内)よりも約10 mm長くしてください。

注

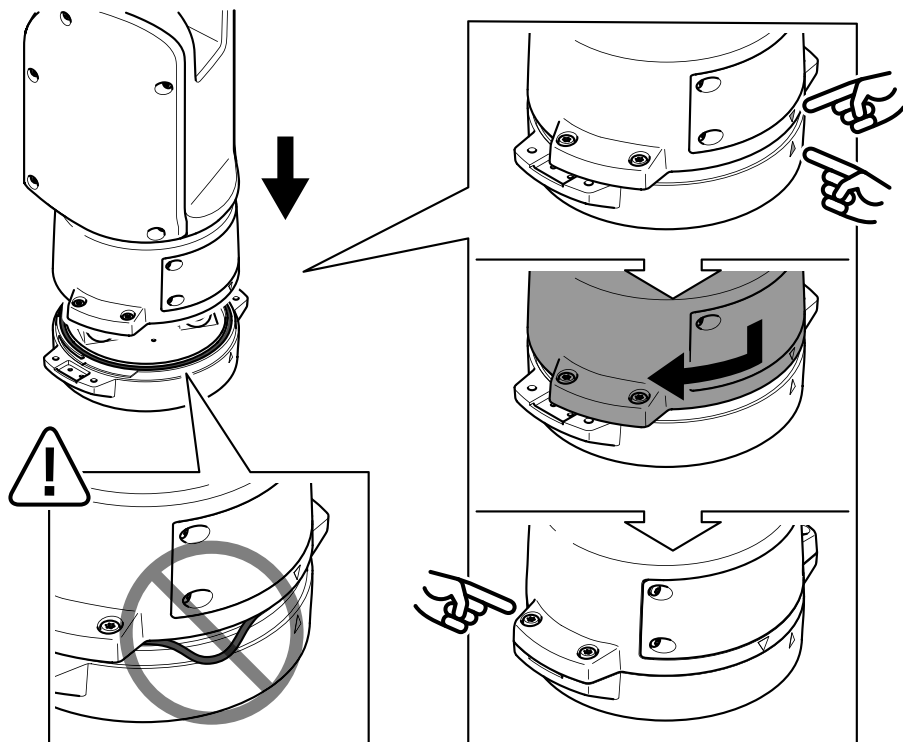
設置をできるだけ簡単にするために、電源ケーブルジャケットの約90 mmとI/Oケーブルジャケットの70 mmを取り除くことをお勧めします。

11. 電源およびI/Oコネクタを取り付けます。
12. ネットワークケーブル、I/Oケーブル、および電源ケーブルのケーブルガasketからコネクタの端までの距離が、それぞれ240 mm、170 mm、160 mmになるように調整します。

AXIS T99A12 Positioning Unit 24 V AC/DC

注意

O-リングが透明ベースユニットカバーに正しく取り付けられていることを確認します。

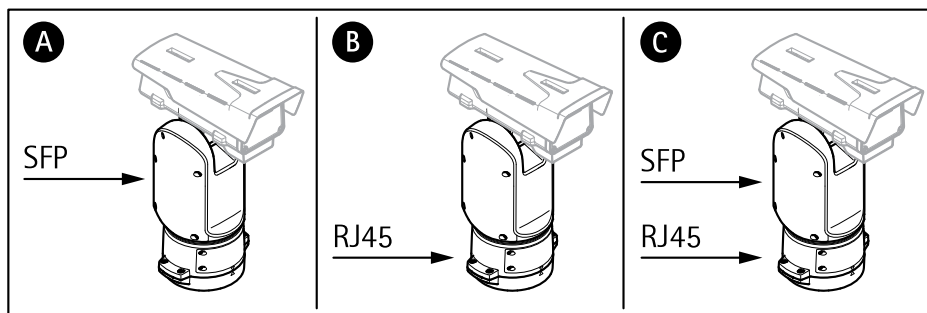


13. ポジショニングユニットをベースユニットに配置します。2つのユニット上の矢印が一直線上になっていることを確認してください。
14. ポジショニングユニットを元の位置に戻るまで時計回りに回し、ベースユニットのネジ4本を締めます (トルク3.0 Nm)。

注意

2つのユニットを組み立てるときにケーブルが締め付けられないように注意してください。

ネットワークリンクのインストール



次のいずれかの方法で、ネットワークリンクをインストールすることができます:

- A: SFPポートで(それぞれのコネクタを使用して)SFPモジュールに接続された光ファイバーまたはRJ45ケーブルを介して接続。
- B: 固定RJ45コネクタに接続されたRJ45ケーブルを介して接続。
- C: 上記の両方を使用して接続。この場合、SFPモジュール接続はプライマリネットワークリンクとして機能し、固定のRJ45接続はフェイルオーバーリンクとして機能します。

JA

ネットワークコネクタの位置の詳細については、120ページ、製品の概要を参照してください。

注

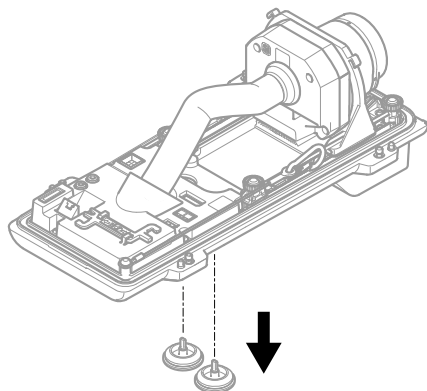
- SFPモジュールは付属していません。利用可能なSFPモジュールについては、axis.comを参照してください。
- 当該SFPモジュールを使用する光ファイバーケーブルのみを介してネットワークリンクをインストールする方法は、ケーブルを長距離に設置するスタンドアロンのソリューションとして有効です。

カメラの設置

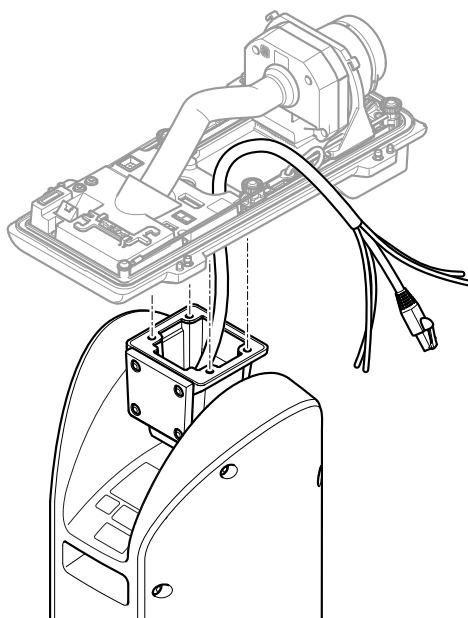
注意

- 本製品は、複数のカメラモデルに対応しています。対応しているカメラの全リストについては、axis.comにある製品ページを参照してください。
- カメラの蓋を開く方法については、カメラのインストールガイドを参照してください。

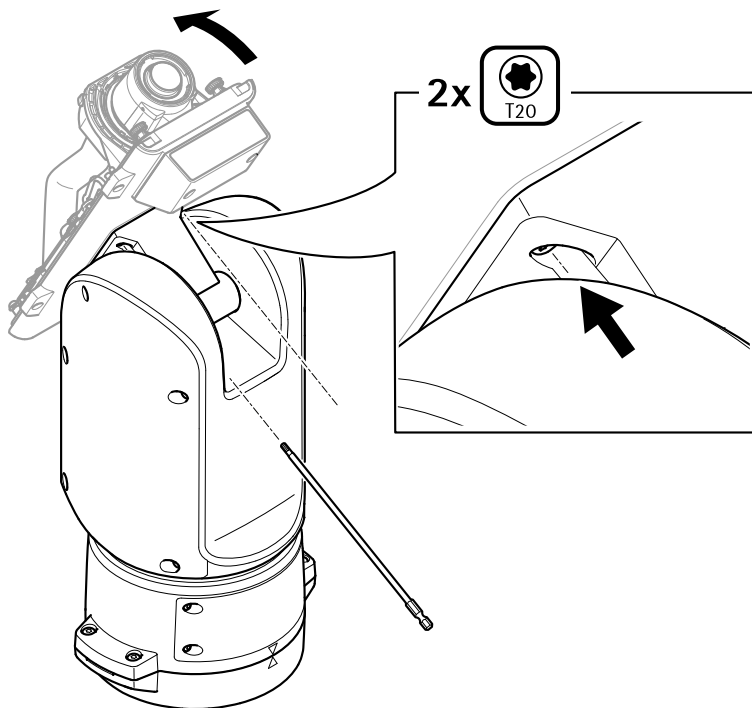
AXIS T99A12 Positioning Unit 24 V AC/DC



1. カメラの裏蓋からケーブルガasketを取り外します。

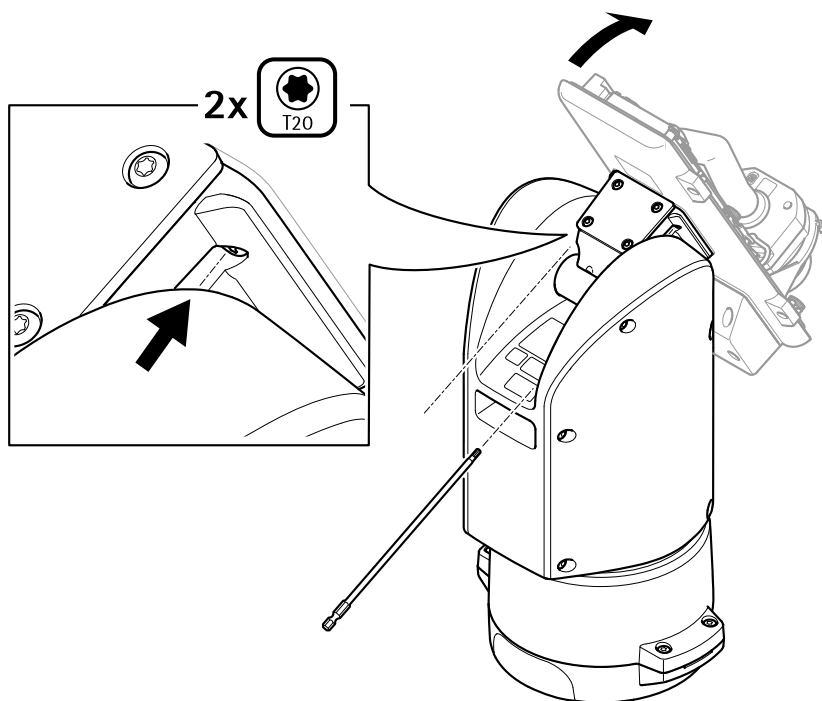


2. 裏蓋の穴にネットワーク/電源/シリアルインターフェースケーブルを通します。
3. ポジショニングユニットに裏蓋をはめ込みます。



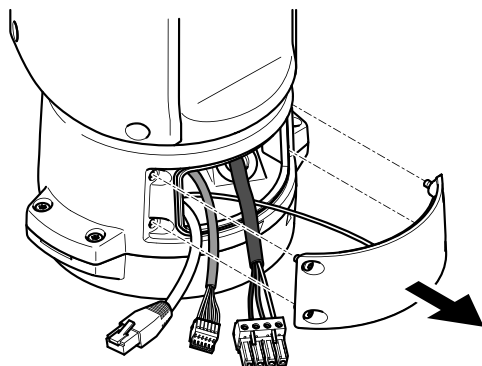
JA

4. 裏蓋を端まで後方に傾け、ポジショニングユニットの正面ネジ (T20、トルク3.0 Nm) 2本を締めます。

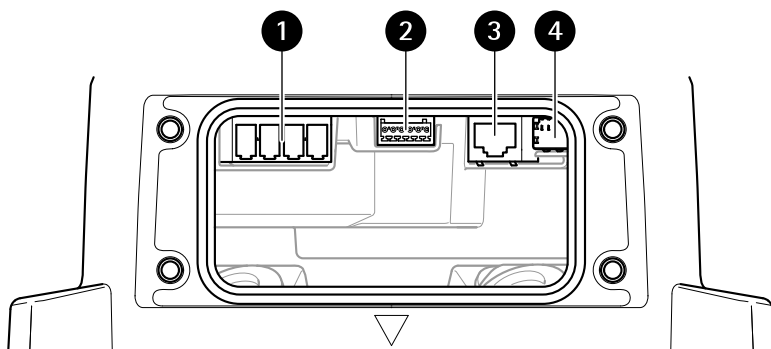


5. 裏蓋を端まで前方に傾け、ポジショニングユニットの背面ネジ (T20、トルク 3.0 Nm) 2本を締めます。
6. カメラのインストールガイドに従って、カメラネットワーク、シリアルインターフェース、電源ケーブルを接続します。ケーブルの仕様の詳細については、138ページ、カメラの電源ケーブルおよび138ページ、カメラのシリアルインターフェースケーブルを参照してください。
7. カメラのインストールガイドに従って、カメラの設置を完了します。

ケーブルの接続



1. 4つの蓋止めネジ (T20) をゆるめ、蓋を取り外します。



- 1 入力電力コネクタ
- 2 I/Oコネクタ
- 3 RJ45コネクタ
- 4 SFPモジュール用SFPスロット (SFPモジュールは付属していません)

2. ネットワーク (光ファイバーまたはRJ45) に接続し、I/Oおよび電源ケーブルを接続します。さまざまなネットワーク接続オプションの詳細については、128ページ、ネットワークリンクのインストールを参照してください。
3. 蓋を位置に戻し、4つの蓋ネジを締めます (トルク3.0 Nm)。
4. 保護カバーを取り外します。
5. 製品の電源を入れます。

PTZドライバーの選択

1. カメラのWebページに移動します。
2. [System > Accessories > PTZ (システム > アクセサリー > PTZ)] に移動します。
3. カメラがPTZドライバーとデジタルPTZの両方に対応している場合は、PTZモードに [Mechanical (メカニカル)] を選択します。
4. ドライバーに [APTP] を選択し、[Save (保存)] をクリックします。
5. [PTZ] タブに移動し、パン/チルトの設定が利用可能であることを確認します。

仕様

コネクタ

ネットワークコネクタ

RJ45イーサネットコネクタ。

SFPコネクタ。

注意

本製品は、シールドネットワークケーブル (STP) または光ファイバーケーブルを使用して接続してください。本製品は、用途に合ったケーブルを使用してネットワークに接続してください。ネットワーク装置がメーカーの指示どおりに設置されていることを確認します。法的要件については、を参照してください。

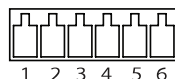
I/Oコネクタ

デジタル入力 - 開回路と閉回路の切り替えが可能なデバイス (PIRセンサー、ドア/窓の接触、ガラス破損検知器など) を接続するための入力です。

デジタル出力 - リレーやLEDなどの外部デバイスを接続します。接続された装置は、VAPIX®アプリケーションプログラミングインターフェースを通じたイベントまたは製品のWebページからアクティブにすることができます。

デジタル光センサー - 外部光センサーから周囲の光の強度の値を受信します。これは製品のデイナイト機能の制御で使われます。

設定可能な6ピンターミナルブロック

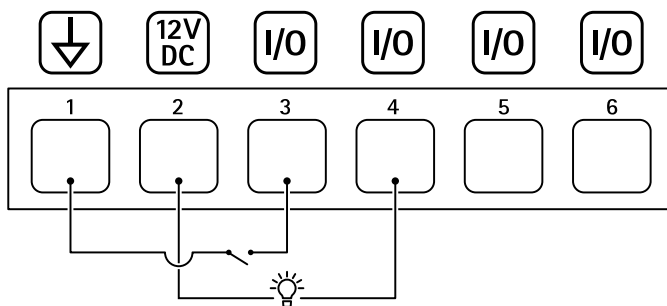


機能	ピン	備考	仕様
DCグラウンド	1		0 V DC
DC出力	2	補助装置の電源供給に使用できます。 注: このピンは、電源出力としてのみ使用できます。	12 V DC 最大負荷 = 50 mA

AXIS T99A12 Positioning Unit 24 V AC/DC

設定可能 (入力または出力)	3-	デジタル入力-動作させるにはピン1に接続し、動作させない場合はフロート状態(未接続)のままにします。	0~30 V DC (最大)
	6	デジタル出力-アクティブ時はピン1 (DC グランド) に内部接続し、非アクティブ時はフロート状態(未接続)にします。リレーなど、誘導負荷とともに使用する場合は、過渡電圧から保護するために、ダイオードを負荷と並列に接続します。	0~30 V DC (最大)、オープンドレイン、100 mA

例:



- 1 DCグランド
- 2 DC出力 12 V、最大50 mA
- 3 I/O (入力として設定)
- 4 I/O (出力として設定)
- 5 設定可能I/O
- 6 設定可能I/O

電源コネクタ

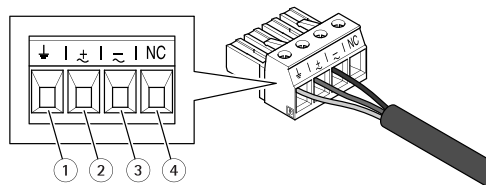
電源入力用4ピンターミナルブロック。

24V AC/DC 電源コネクタ

注意

このセクションは、24V AC/DC電源を使用する製品にのみ有効です。

AXIS T99A12 Positioning Unit 24 V AC/DC



この表は、24 V ACおよび24 V DC電源コネクタにのみ有効です。

位置	24 V AC	24 V DC
1	保護アース	保護アース
2	24 V ACフェーズ	+ 24 V
3	24 V ACニュートラル	0 V
4	未接続	未接続

JA

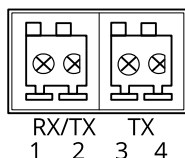
RS485/RS422 コネクター

パン/チルトデバイスなど補助装置の制御に使用する、RS485/RS422シリアルインターフェース用の2ピンターミナルブロック×2。

シリアルポートの設定により、次のモードをサポート可能。

- 2ワイヤーRS485半二重
- 4ワイヤーRS485全二重
- 2ワイヤーRS422単方向
- 4ワイヤーRS422全二重ポイントツーポイント通信

RS485/422



機能	ピン	備考
RS485/RS422 RX/TX	A1	(RX) 全二重RS485/RS422用
RS485/RS422 RX/TX	B2	(RX/TX) 半二重RS485用

AXIS T99A12 Positioning Unit 24 V AC/DC

RS485/RS422 TX A	3	(TX) 全二重RS485/RS422用
RS485/RS422 TX B	4	

ケーブル

ケーブルの太さ

本製品に付属のケーブルガasketを使用する際、ケーブルは直径が5～11 mmのものをを使用する必要があります。

注意

- 指定のケーブルエリアに収まるケーブルを使用してください
- 地域の規制に適合したケーブルを選択してください
- すべてのケーブル孔が適切に密封されていることを確認してください
- ケーブル孔とケーブルエリアの両方に適合するケーブルガasketまたはケーブルグランドを使用してください

他のケーブルエリアに対応するケーブルガasket、ケーブルグランドなどのアクセサリーについては、www.axis.comを参照してください。

カメラのシリアルインターフェースケーブル

ケーブルの色	仕様
白	RS485A
緑	RS485B

カメラの電源ケーブル

ケーブルの色	仕様
赤	+ 24 V DC
黒	0 V

安全信息

危险等级

▲危险

表示如果不避免则会导致死亡或严重伤害的危险情况。

▲警告

表示如果不避免则可能导致死亡或严重伤害的危险情况。

▲警示

表示如果不避免则可能导致轻微或中度伤害的危险情况。

注意

表示如果不避免则可能导致财产损失的情况。

其他消息等级

重要

表示产品正常工作所必需的重要信息。

注


表示有助于充分利用产品的有用信息。

安全说明


▲危险

电击风险。在安装或执行产品维护之前，电缆应断电。

▲警示

 活动部件。受伤风险。产品工作期间，请保持身体部位远离产品。安装或维护产品时，请断开电源。

▲警示

 灼热的表面。受伤风险。请勿在产品工作期间触摸该产品。执行产品维护时，请断开电源并让表面冷却。

注意

- 使用 Axis 产品时应遵守当地法律和法规。
- 在干燥通风的环境中存放安讯士产品。
- 避免将安讯士产品暴露在冲击或高压环境下。
- 请勿将产品安装在不稳固的立杆、支架、表面或墙壁上。
- 安装安讯士产品时，仅使用适用的工具。使用电动工具过度施力可能导致产品损坏。
- 请勿使用化学品、腐蚀剂或气雾剂。
- 使用蘸纯净水的干净布进行清洁。

AXIS T99A12 Positioning Unit 24 V AC/DC

- 仅使用符合产品技术规格的附件。这些附件可由安讯士或第三方提供。安讯士推荐使用与产品兼容的安讯士电源设备。
- 仅使用安讯士提供或推荐的备件。
- 请勿尝试自行维修产品。有关服务事项，请联系安讯士支持部门或安讯士经销商。
- 使用一根至少为 0.5 平方毫米或 20 AWG 的黄色/绿色接地电缆。

运输

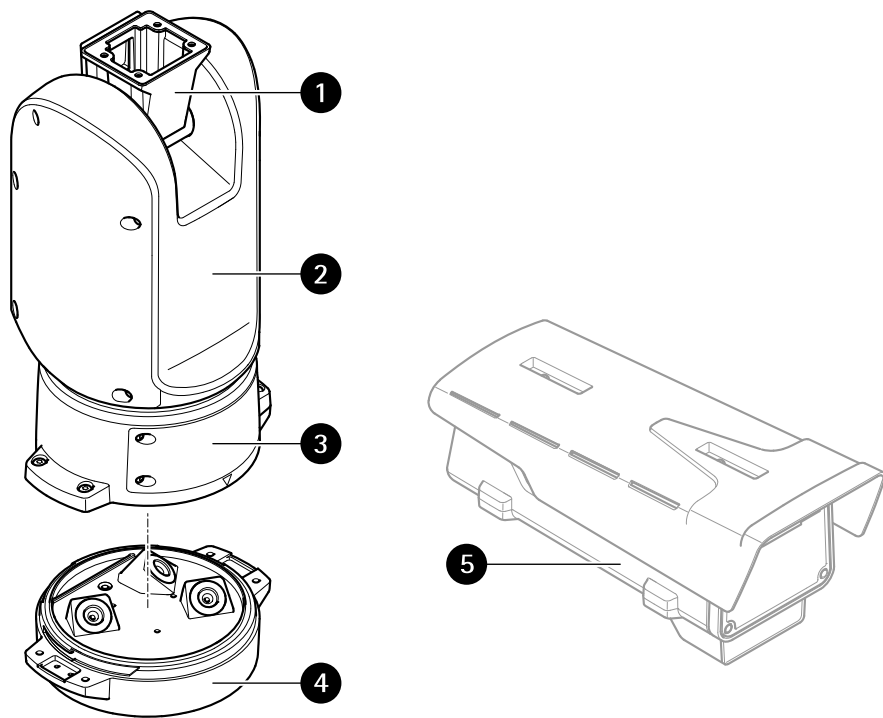
注意

- 安讯士产品运输途中，应使用其原包装或等效包装，以防对产品造成损坏。

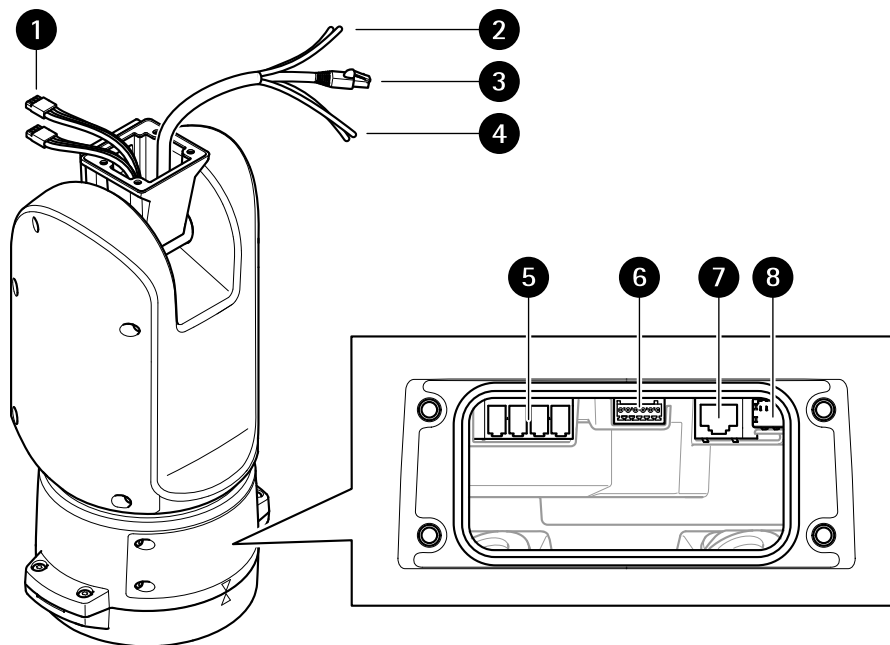
包装内容

- 定位单元
- 电源连接器
- I/O 连接器
- Torx® bit T20 (长) 和 T30

产品概述



- 1 定位单元 (垂直转动)
- 2 定位单元 (水平转动)
- 3 盖
- 4 底座单元
- 5 摄像机 (不含)



- 1 照明器电缆 (不使用)
- 2 摄像机电源线
- 3 摄像机网络电缆
- 4 摄像机串行接口线
- 5 输入电源连接器
- 6 I/O 连接器
- 7 RJ45 连接器
- 8 SFP 模块的 SFP 插槽 (不含 SFP 模块)

如何安装产品


⚠危险

电击风险。安装产品之前，电缆都应断电。


⚠警示

电气连接和导线管安装应由经过认证的电工执行，并遵守当地法规。

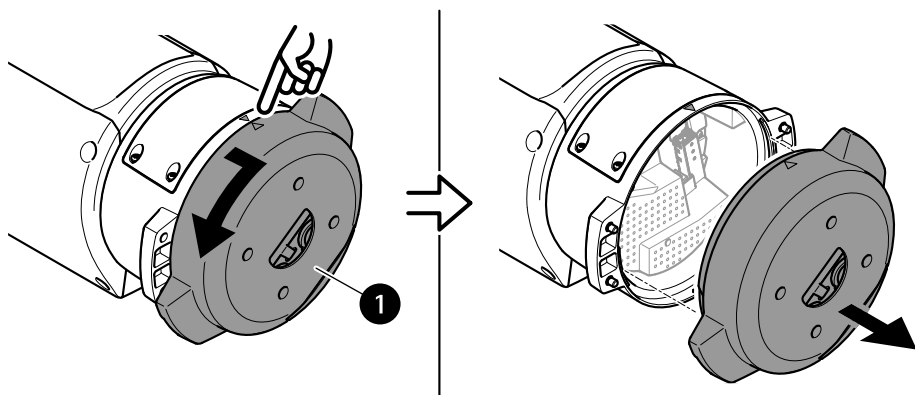
⚠警示

 伤害风险。活动部件。操作期间，请保持身体部位远离产品。安装或维护产品时，请断开电源。

⚠警示

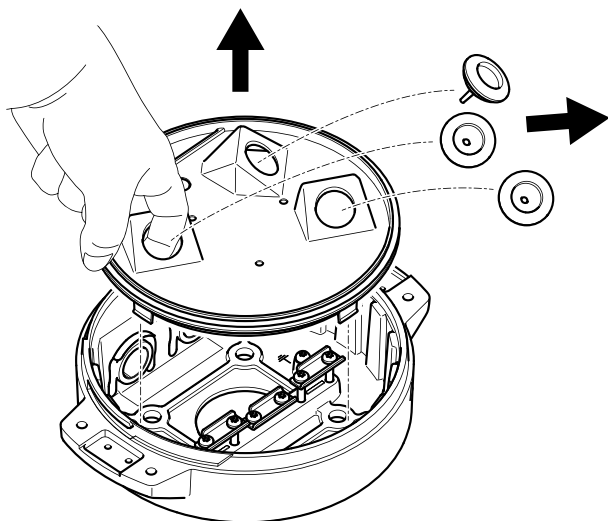
 伤害风险。灼热的表面。请勿在操作期间触摸该产品。执行产品维护时，请断开电源并让表面冷却。

安装底座单元



1 底座单元

1. 移除四颗底座单元螺丝 (T30)。
2. 同时逆时针拉转底座单元，直到底座单元和定位单元其余部分的箭头对齐。
3. 移除底座单元。

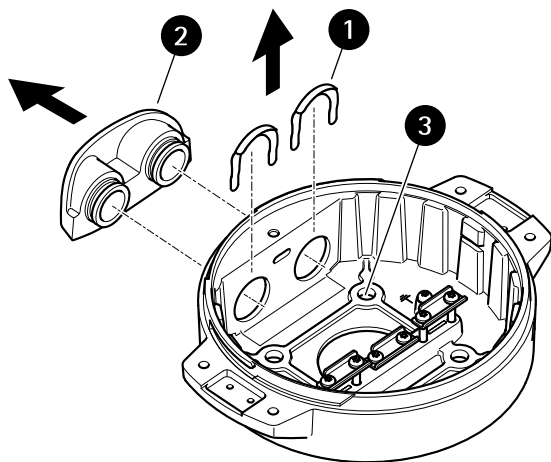


注意

移除透明底座单元盖板时，请勿使用尖锐工具。

4. 移除透明底座单元盖板。

ZH



- 1 导线管盖夹
2 导线管盖

AXIS T99A12 Positioning Unit 24 V AC/DC

3 螺丝孔 (4 个)

5. 仅适用于导线管安装：取下两个导线管盖夹，然后取下导线管盖。
6. 在四个螺丝孔中使用适当的紧固件将底座单元固定到安装表面。

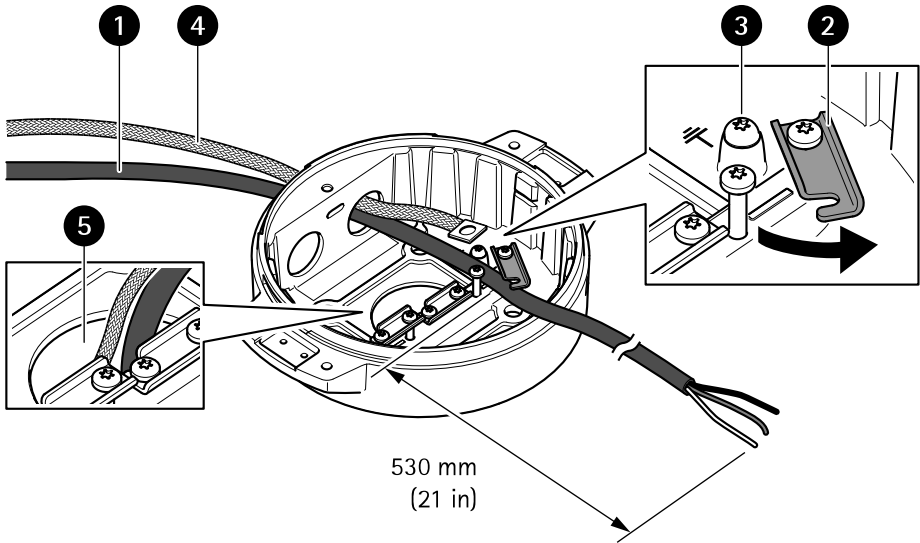
布线

⚠警告

触点危险。本产品应同时使用电源线中的保护接地线和接地编织层进行接地。确保保护接地线和接地编织层的两端与其各自的接地表面接触。

重要

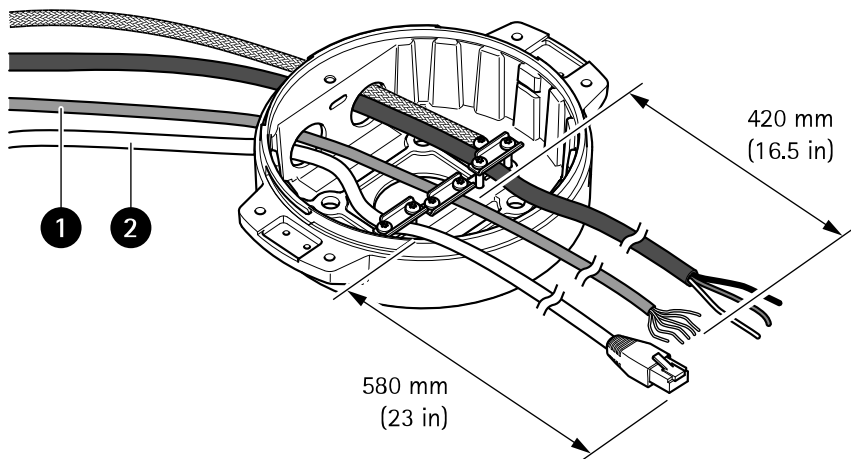
仅使用符合指定电缆区域要求的电缆。有关详细信息，请参见 *电缆厚度 159*。



- 1 电源线 (不包括)
- 2 应力消除器
- 3 接地螺丝
- 4 接地编织层 (不包括)
- 5 底部电缆孔

1. 安装可选的导线管适配器 (不包括)。
2. 将接地编织层连接到接地螺丝。

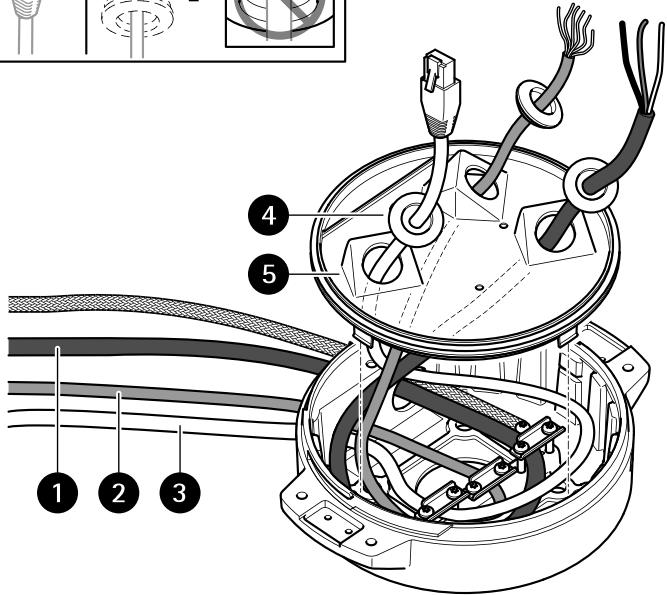
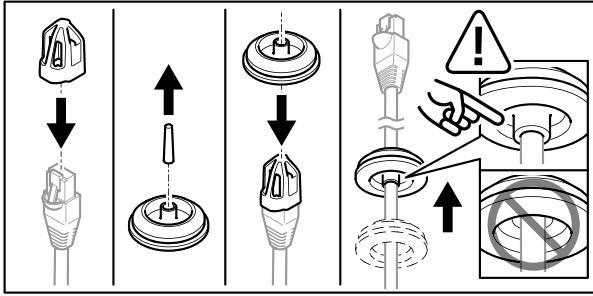
3. 将电源线、I/O 电缆和网络电缆穿过底座单元上的孔（如上图所示）。或者，将其穿过底部电缆孔。
4. 将电源线穿过应力消除器，并保持应力消除器与电缆末端距离为 530 毫米（21 英寸）。



- 1 I/O 电缆（可选，不包括）
- 2 网络电缆（不包括）

5. 将 I/O 电缆（可选）穿过应变消除件，并使应变消除件至电缆端的距离为 420 毫米（16.5 英寸）。
6. 将网络电缆（光纤电缆和/或 RJ45 电缆）穿过应力消除器，并保持应力消除器与连接器末端的距离为 580 毫米（23 英寸）。有关不同网络连接选项的详细信息，请参见 [安装网络链路 150](#)。
7. 合上并拧紧这三个应力消除器。

AXIS T99A12 Positioning Unit 24 V AC/DC



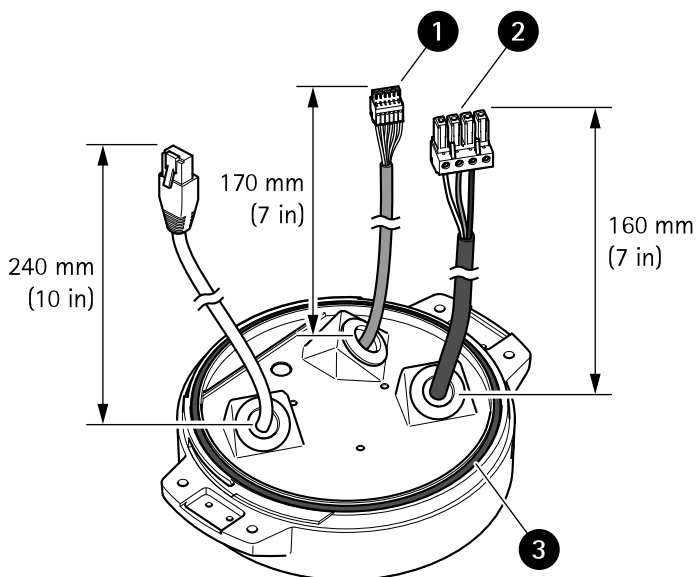
- 1 电源线 (不包括)
- 2 I/O 电缆 (可选, 不包括)
- 3 网络电缆 (不包括)
- 4 电缆垫片
- 5 透明底座单元盖板

8. 将电缆垫片安装到电缆上。请参见 *电缆厚度 159*。
9. 将电源线、I/O 电缆和网络电缆 (包括电缆垫片) 穿过透明底座单元盖板上的孔, 然后按照上图所示进行布线。

注意

如果您同时使用光纤电缆和 RJ45 电缆进行网络连接, 请将光纤电缆与 I/O 电缆穿过同一电缆垫片。在电缆和电缆垫片之间涂抹密封剂以防电缆滑出。有关不同网络连接选项的详细信息, 请参见 *安装网络链路 150*。

10. 将透明底座单元盖板放在底座单元上，并将线缆垫圈安装在孔内。



- 1 I/O 连接器
- 2 电源连接器
- 3 O 形环

ZH

注意

为避免电缆被拉扯时单元电源意外断开，保护接地线应该比他两条电线（电源线内）长约 10 毫米（0.4 英寸）。

注

为了让安装尽可能简单，我们建议您将电源线护套剥去约 90 毫米（3.5 英寸），并将 I/O 电缆护套剥去 70 毫米（2.8 英寸）。

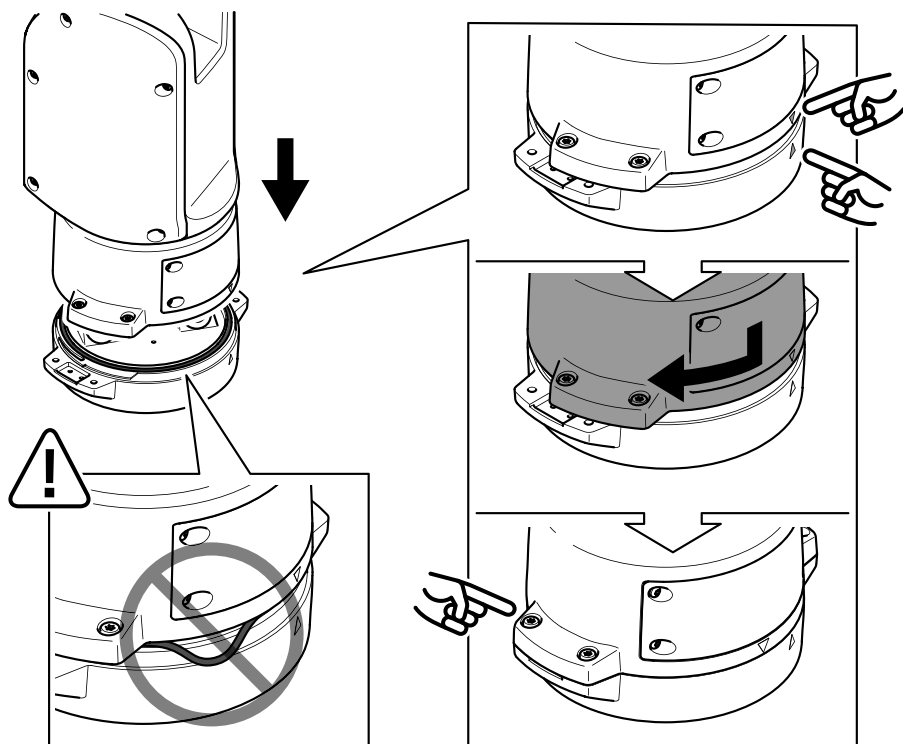
11. 安装电源连接器和 I/O 连接器。

12. 调整网络、I/O 和电源线，以使电缆垫片与连接器末端的距离分别为 240 毫米（10 英寸）、170 毫米（7 英寸）及 160 毫米（7 英寸）。

注意

确保 O 型环正确安装在透明底座单元盖板周围。

AXIS T99A12 Positioning Unit 24 V AC/DC



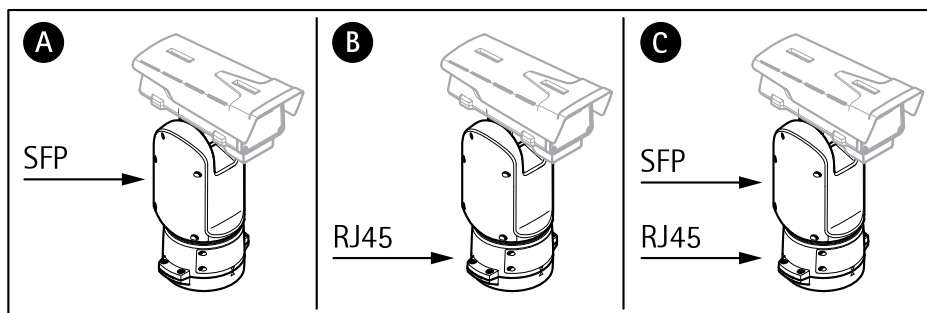
13. 将定位单元放在底座单元上。确保两个单元上的箭头对齐。

14. 按顺时针方向将定位单元转回至其初始位置并拧紧 4 个底座单元螺丝（扭矩 3.0 牛米）。

注意

在安装两个单元时，请确保电缆未被夹扁。

安装网络链路



安装网络链路时，有几个选项可以选择：

- A：通过光纤电缆或与 SFP 插槽中的 SFP 模块（带有相应的连接器）连接的 RJ45 电缆。
- B：通过与固定式 RJ45 连接器连接的 RJ45 电缆。
- C：同时连接上述两种电缆，在此情况下，SFP 模块连接用作主网络链路，固定的 RJ45 连接用作故障转移链路。

ZH

有关网络连接器位置的详细信息，请参见 *产品概述 142*。

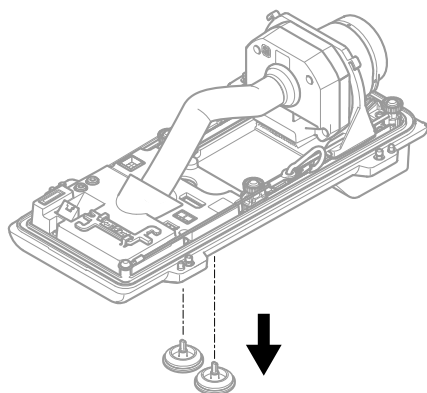
注

- 不包括 SFP 模块。有关可用 SFP 模块的详细信息，请参见 *axis.com*
- 如果您仅通过使用相应 SFP 模块的光纤电缆安装网络链路，它可以用作远程布线安装的独立解决方案。

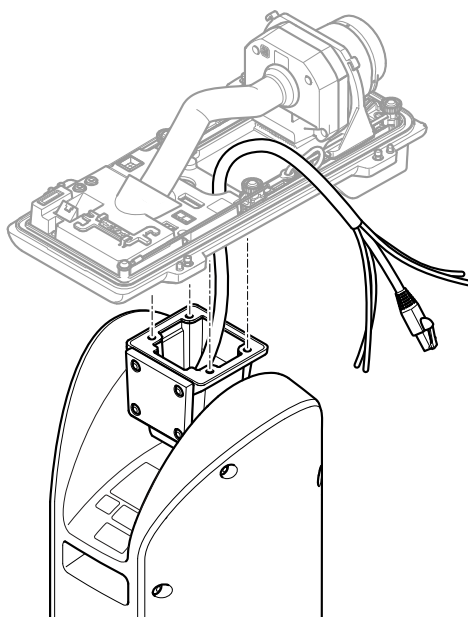
安装摄像机

注意

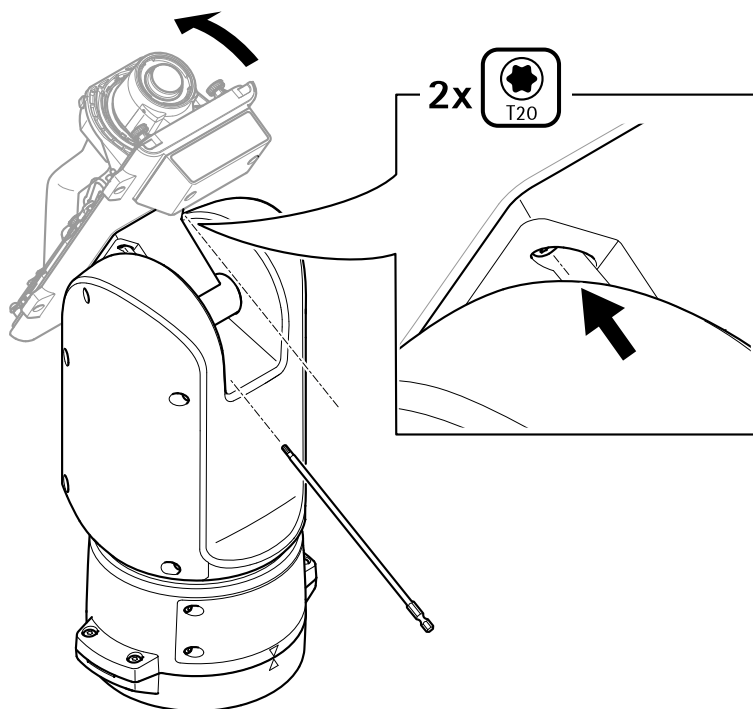
- 本产品支持多种摄像机型号。有关支持的摄像机的完整列表，请参阅产品页面：*axis.com*。
- 有关如何打开摄像机外壳的说明，请参见摄像机的安装指南。



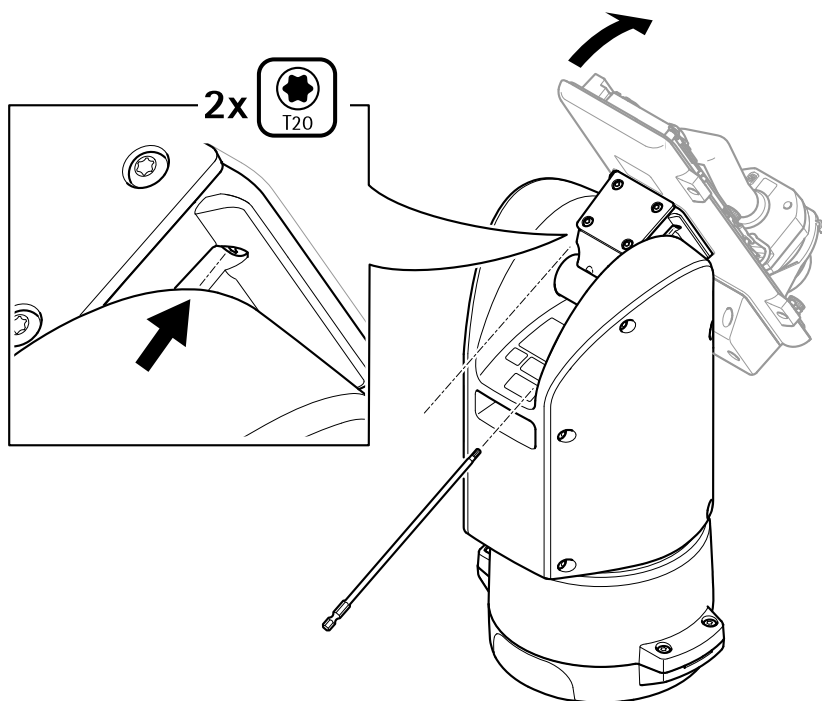
1. 从摄像机底盖上取下线缆垫圈。



2. 将网络电缆/电源线/串行接口线穿过底盖上的孔。
3. 将底盖安装在定位单元上。

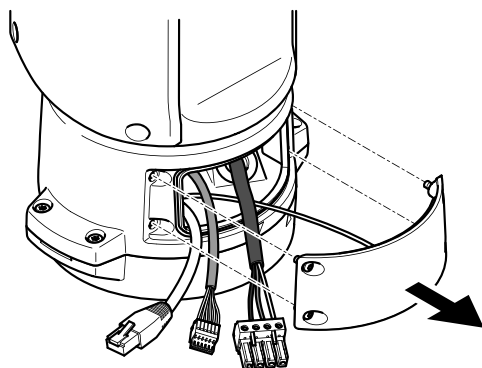


4. 将底盖向后倾斜至其终端位置，然后拧紧定位单元前面的两颗螺丝（T20，扭矩 3.0 Nm）。

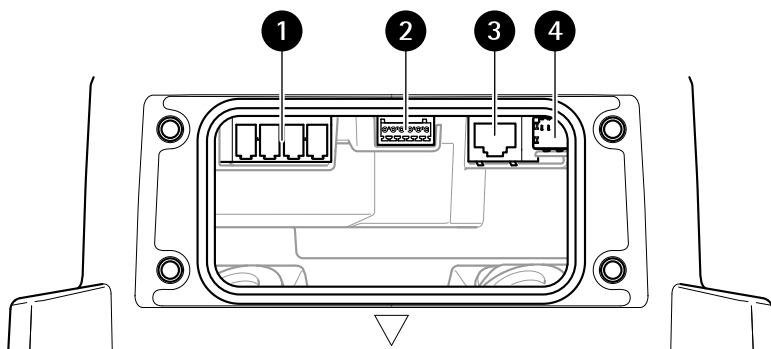


5. 将底盖向前倾斜至其终端位置，然后拧紧定位单元后面的两颗螺丝（T20，扭矩 3.0 Nm）。
6. 根据摄像机的安装指南，连接摄像机网络电缆、串行接口线和电源线。有关线缆规格的详细信息，请参见 [摄像机电源线 160](#) 和 [摄像机串口线 160](#)。
7. 根据摄像机的安装指南完成摄像机安装。

连接电缆



1. 松开四颗盖子螺丝 (T20)，然后取下盖子。



- 1 输入电源连接器
- 2 I/O 连接器
- 3 RJ45 连接器
- 4 SFP 模块的 SFP 插槽 (不包括 SFP 模块)

2. 连接网络 (光纤和/或 RJ45)、I/O 和电源线。有关不同网络连接选项的详细信息，请参见 [安装网络链路 150](#)。
3. 将盖子放回原来位置，拧紧四颗盖子螺丝 (扭矩 3.0 牛米)。
4. 移除保护盖。
5. 接通产品电源。

选择 PTZ 驱动

1. 转到摄像机的网页。
2. 转到**系统 > 附件 > PTZ**。
3. 如果您的摄像机同时支持 PTZ 驱动和数字 PTZ，请选择 PTZ 模式**机械**。
4. 选择驱动程序 **APTP**，然后单击**保存**。
5. 转到 **PTZ** 选项卡，检查水平转动-垂直转动设置是否可用。

规格

连接器

网络连接器

RJ45 以太网连接器。

SFP 连接器。

注意

该产品应使用屏蔽网络电缆 (STP) 或光纤电缆进行连接。将产品连接到网络的电缆应用于其特定用途。确保根据制造商的说明安装网络设备。有关法规要求的信息，请参见。

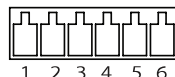
I/O 连接器

数字输入 – 用于连接可在开路和闭路之间切换的设备，例如 PIR 传感器、门/窗磁和玻璃破碎侦测器。

数字输出 – 用于连接继电器和 LED 等外部设备。已连接的设备可由 VAPIX® 应用程序编程接口、通过事件或从产品网页进行激活。

一个数字光传感器 – 用于接收外部光传感器传输的环境光线强度值。这用于控制产品的日夜转换功能。

6 针可配置接线端子

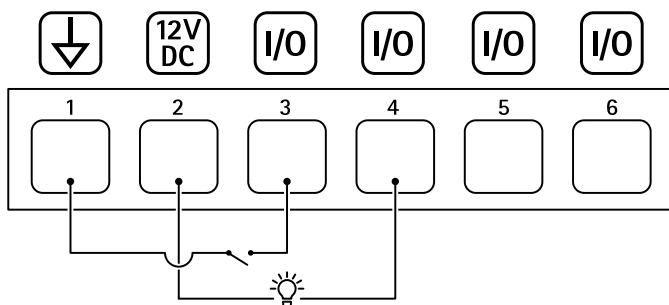


ZH

功能	针脚	注意事项	规格
DC 接地	1		0 V DC
DC 输出	2	可用于为辅助设备供电。 注意：此针脚只能用作电源输出。	12 V DC 最大负载 = 50 mA
可配置（输入或输出）	3–6	数字输入 – 连接至针 1 以启用，或保留浮动状态（断开连接）以停用。	0 至最大 30 V DC
		数字输出 – 启用时内部连接至针 1（DC 接地），停用时保留浮动状态（断开连接）。 如果与电感负载（如继电器）一起使用，则将二极管与负载并联连接，以防止电压瞬变。	0 至最大 30 V DC， 开漏，100 mA

AXIS T99A12 Positioning Unit 24 V AC/DC

示例



- 1 DC 接地
- 2 DC 输出 12 V, 最大 50 mA
- 3 I/O 配置为输入
- 4 I/O 配置为输出
- 5 可配置的 I/O
- 6 可配置的 I/O

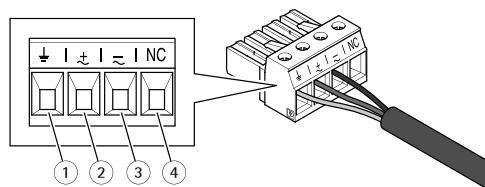
电源连接器

4 针接线端子，用于电源输入。

24 V AC/DC 电源连接器

注意

本部分仅适用于由 24 V AC 和 24 V DC 供电的产品。



此表仅适用于 24 V AC 和 24 V DC 电源连接器。

位置	24 V AC	24 V DC
1	保护接地	保护接地
2	24 V AC 相	+ 24 V

此表仅适用于 24 V AC 和 24 V DC 电源连接器。(续)

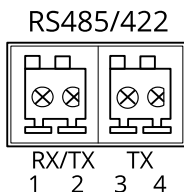
位置	24 V AC	24 V DC
3	24 V AC 零线	0 V
4	未连接	未连接

RS485/RS422 连接器

两个用于 RS485/RS422 串行接口的 2 针接线端子，用于控制辅助设备（如水平转动-垂直转动设备）。

串行端口可配置为支持：

- 两线 RS485 半双工
- 四线 RS485 全双工
- 两线 RS422 单工
- 四线式 RS422 全双工点对点通信



ZH

功能	针	说明
RS485/RS422 RX/TX A	1	(RX) 适用于全双工 RS485/RS422 (RX/TX) 适用于半双工 RS485
RS485/RS422 RX/TX B	2	
RS485/RS422 TX A	3	(TX) 适用于全双工 RS485/RS422
RS485/RS422 TX B	4	

电缆

电缆厚度

使用本产品随附的电缆垫片时，电缆直径应在 5 至 11 毫米（0.2 至 0.4 英寸）的范围内。

注意

- 使用保持在指定电缆区域内的电缆
- 选择符合当地法规的电缆
- 确保电缆孔都已正确密封
- 使用与电缆孔和电缆区域相匹配的电缆垫圈或电缆套管

有关附件（如适合其他电缆区域的电缆垫圈和电缆套管）的信息，请参见 www.axis.com

摄像机串口线

电缆颜色	规格
白色	RS485A
绿色	RS485B

摄像机电源线

电缆颜色	规格
红色	+ 24 V DC
黑色	0 V

