

Installation Guide APC™ Smart-UPS™ Ultra Power Distribution Unit (PDU) SRTL002/SRTL003/SRTL004/SRTL005

Important Safety Instructions

SAVE THESE INSTRUCTIONS - This manual contains important instructions that should be followed during installation and maintenance of the Smart-UPS and batteries.



Read the user documentation to become familiar with the equipment before trying to install or operate it.

The following special messages may appear throughout this bulletin or on the equipment to warn of potential hazards or to call attention to information that clarifies or simplifies a procedure.



The addition of this symbol either to a “Danger” or “Warning” safety label indicates that an electrical hazard exists which will result in personal injury if the instructions are not followed.



This is the safety alert symbol. It is used to alert you to potential personal injury hazards. Obey all safety messages that follow this symbol to avoid possible injury or death.

DANGER

DANGER indicates a hazardous situation which, if not avoided, **will result in** death or serious injury.

WARNING

WARNING indicates a hazardous situation which, if not avoided, **could result in** death or serious injury.

CAUTION

CAUTION indicates a hazardous situation which, if not avoided, **could result in** minor or moderate injury.

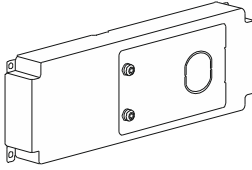
NOTICE

NOTICE is used to address practices not related to physical injury.

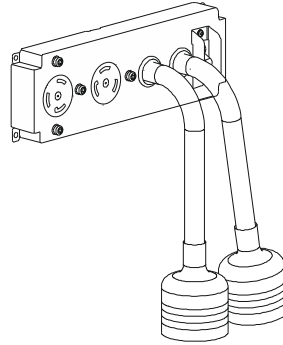
Package Contents

Inspect the contents upon receipt. Notify the carrier and dealer if there is damage.

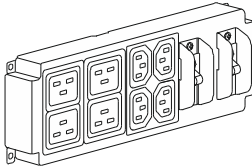
Hardwiring PDU (SRTL002)



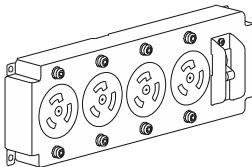
PDU with 2x L6-30 and 2x L6-20 receptacles (SRTL005)



IEC PDU (SRTL003)



PDU with 4x L6-20 receptacles (SRTL004)



PDU Replacement

⚠ CAUTION

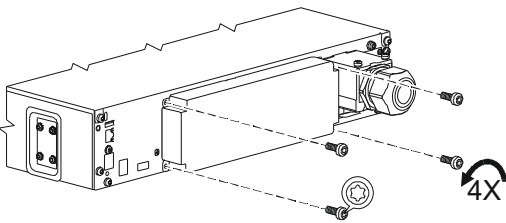
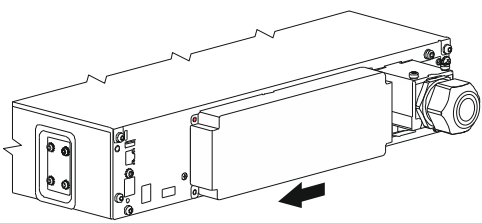
RISK OF DAMAGE TO EQUIPMENT OR PERSONNEL

- PDU must be replaced by a qualified electrician or a service personnel.
- Adhere to all local and national electrical codes.

Failure to follow these instructions could result in equipment damage and minor or moderate injury.

The PDU in the following illustration is only for representation. The procedure is applicable for all the PDUs, SRTL002, SRTL003, SRTL004, and SRTL005.

Removal of the existing PDU

<p>1 Turn off the UPS Output (refer to the UPS Operation Manual for details) by selecting the <i>Turn Off Immediately</i> option.</p>	
<p>2 Turn <i>off</i> the input power to the UPS at the wall socket.</p>	
<p>3 Loosen the thumbscrew and turn <i>off</i> the BATTERY ON/OFF switch, on the internal battery module in the UPS.</p>	
<p>4 Disconnect XLBPs connected to the UPS, if any.</p>	
<p>5 Unplug all the connected equipment from the output sockets of the UPS.</p>	
<p>6 Locate the screws securing the standard PDU to the UPS and unfasten them using a Torx® T20 driver bit.</p> 	<p>7 Slide the PDU to the left to align the locking pin with the keyhole.</p> 

8 a. Pull out the PDU.
b. Remove the clips (on the top and the bottom) securing the connectors and pull the connectors apart.

9 Locate the screw securing the ground wire to the ground terminal and unfasten it.

Installation of the replacement PDU

1 a. Connect the ground wire of the replacement PDU to the ground terminal.
b. Insert the PDU connector into the UPS connector and install the top and bottom clips to secure the connectors.

2 Align the locking pin on the UPS and the key hole on the PDU and insert the PDU.

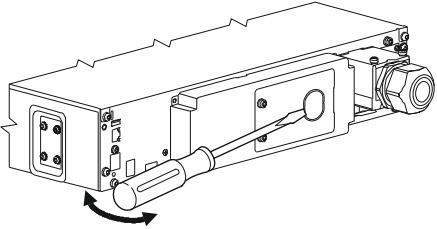
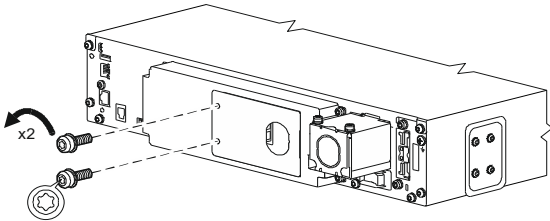
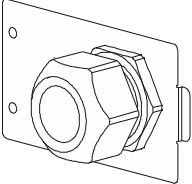
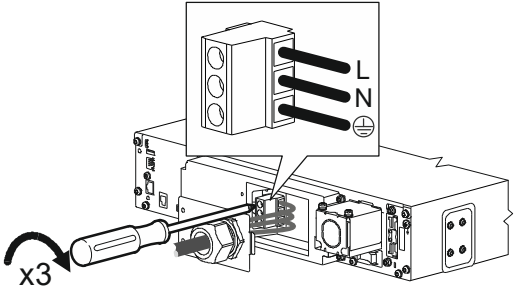
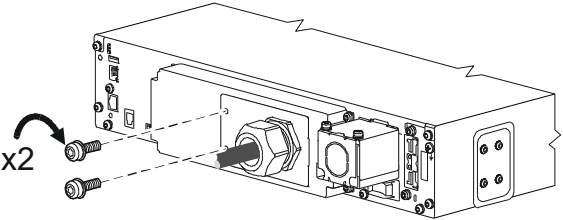
3 Slide the PDU to the right to lock the PDU in position.

4 Secure the PDU to the UPS by fastening the screw using a Torx® T20 driver bit.

- 5** **NOTE:** This step is applicable only for SRTL002. Hardwire the PDU. Refer to “Hardwiring” on page 4 for details.
- 6** Re-connect all the connected equipment to the output sockets of the UPS.
- 7** Re-connect the XLBPs to the UPS, if any.
- 8** Turn *on* the BATTERY ON/OFF switch in the internal battery module and tighten the thumbscrew on the internal battery module completely.
- 9** Turn *on* the input power to the UPS at the wall socket.
- 10** Turn *on* the UPS output (refer to the UPS Operation Manual for details).

Hardwiring

NOTE: Applicable only for SRTL002.

<p>1 Remove the knock-out.</p> 	<p>2 Locate the screws securing the PDU cover and unfasten the screws using a Torx® T20 driver bit.</p> 
<p>3 Install the strain-relief (not supplied) on the PDU cover.</p>  <p>NOTE: The recommended strain relief is M4844 manufactured by Heyco or equivalent.</p>	<p>4 Insert the wire through the strain-relief and secure the wires to the terminals.</p>  <p>NOTE: Be sure to connect the Line wire to the top terminal; the Neutral wire to the middle terminal; and the ground wire to the bottom terminal.</p>
<p>5 Secure the PDU cover by fastening the screws using a Torx® T20 driver bit.</p> 	

Customer support and warranty information are available on our web site, www.apc.com.

© 2021 Schneider Electric. All rights reserved. Schneider Electric, Life is On | Schneider Electric, the Schneider Electric logo, APC, the APC logo and Smart-UPS are trademarks of Schneider Electric SE, its subsidiaries or affiliated companies. All other brands may be trademarks of their respective owners.

EN 990-6510
11/2021