



ConteraIP[®] MicroDome[®] Duo LX

Installation Manual

4MP

AV4956DN-28

10MP

AV10956DN-28

16MP

AV16956DN-28

AV COSTAR

Table of Contents

About Our Warranty	3
Global (3 Year) Limited Warranty	3
Camera Overview	4
Package Contents.....	5
Installation	6
Surface Mounting.....	6
Drop Ceiling Mount Adapter Plate Installation.....	8
Accessories.....	9
Cap Installation.....	9
Flush Mount Installation.....	11
Pan and Tilt Adjustment	13
Lens Replacement	14
Lens Options.....	14
Camera Power Up.....	15
Usage of Ethernet cable other than included M/F PoE cable.....	16
Alarm I/O Functions.....	17
Reset to Factory Default.....	18
Audio/SD Card Info	19
Camera Discovery, Setup, and Configuration	20
Camera Discovery	21
Web Interface Navigation	22
Focus.....	25
Image.....	26
Video & Audio	30
Network	32
Privacy Mask.....	36
Event.....	37
System.....	43
Administration	45
Support.....	46

About Our Warranty

Global (3 Year) Limited Warranty

AV COSTAR™ warrants to Purchaser (and only Purchaser) (the “Limited Warranty”), that: (a) each Product shall be free from material defects in material and workmanship for a period of thirty-six (36) months from the date of shipment (the “Warranty Period”); (b) during the Warranty Period, the Products will materially conform with the specification in the applicable documentation; (c) all licensed programs accompanying the Product (the “Licensed Programs”) will materially conform with applicable specifications. Notwithstanding the preceding provisions, AV COSTAR shall have no obligation or responsibility with respect to any Product that (i) has been modified or altered without AV COSTAR’s written authorization; (ii) has not been used in accordance with applicable documentation; (iii) has been subjected to unusual stress, neglect, misuse, abuse, improper storage, testing, or connection; or unauthorized repair; or (iv) is no longer covered under the Warranty Period. AV COSTAR make no warranties or conditions, express, implied, statutory, or otherwise, other than the express limited warranties made by AV COSTAR above, and AV COSTAR hereby specifically disclaims all other express, statutory and implied warranties and conditions, including the implied warranties of merchantability, fitness for a particular purpose, non-infringement and the implied condition of satisfactory quality. all licensed programs are licensed on an “as is” basis without warranty. AV COSTAR does not warrant that (i) the operation of the products or parts will be uninterrupted or error free; (ii) the products or parts and documentation will meet the end users’ requirements; (iii) the products or parts will operate in combinations and configurations selected by the end user; other than combinations and configurations with parts or other products authorized by AV COSTAR or (iv) that all licensed program errors will be corrected.

For RMA and Advance Replacement information visit <http://www.avcostar.com>

ConteralIP MicroDome Duo LX

Megapixel Cameras

Camera Overview

The ConteralIP® MicroDome® Duo LX features twin multi-megapixel cameras in a compact housing and is ideal for a variety of professional indoor/outdoor surveillance requirements. Applications include coverage of a hallway or walkway, monitoring POS terminals or ATMs, or for viewing of a single wide area or two distinct regions.

ConteralIP MicroDome Duo LX is available with a choice of 4-, 10-, or 16-megapixel (MP) resolutions. These cameras provide an all-in-one solution for capturing wide area video surveillance while maximizing the field-of-view and reducing the total number of cameras required saving installers time and end users money. The ConteralIP MicroDome Duo LX is ideal for applications with challenging lighting conditions regardless the time of day, supported by dual day/night mechanical IR cut filters. For clear color images in low-light, NightView™ offers strong low-light sensitivity for capturing details in extremely poor-lit scenes. Power can be supplied via a single PoE (IEEE 802.3af) compliant network cable or via a 12–48V DC/24V AC power supply.

The installer friendly ConteralIP MicroDome Duo LX enclosure shortens the installation process. ConteralIP MicroDome Duo LX is designed for demanding environments. Certified to rigorous dust and water tests, the camera carries an IP66 rating. The rugged dome housing is IK-10 rated to withstand the equivalent of 55kg (120lbs) of force for vandal-prone applications.

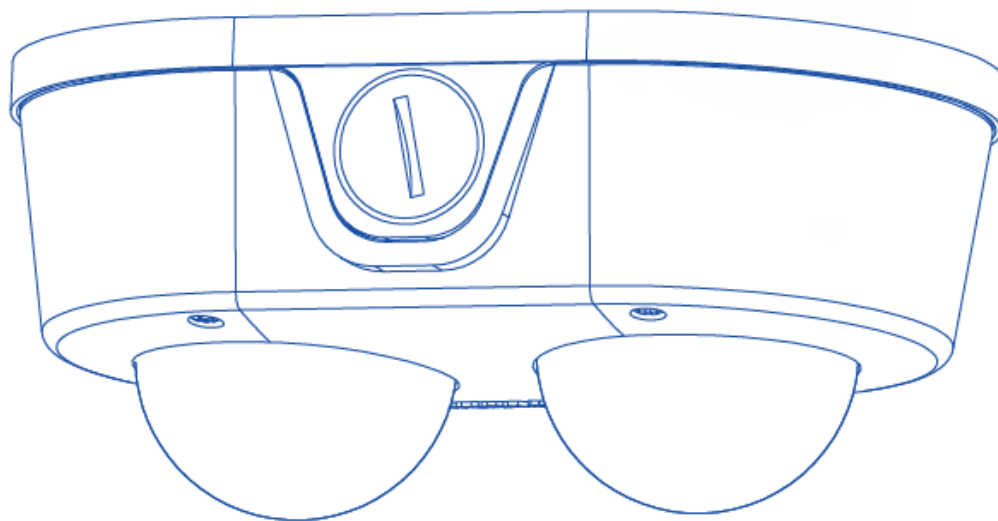
AV Costar was the first to bring H.264 to the mainstream market and recently developed SNAPstream™ (Smart Noise Adaptation and Processing) technology for reducing bandwidth without impacting image quality. Today we are proud to offer our next generation H.265 with SNAPstream+™ smart codec capable of delivering high quality video while saving over 50% of the data rate to reduce or prevent strain on the network.

The ConteralIP MicroDome Duo LX is ONVIF (Open Network Video Interface Forum) Profile S, G, and T compliant, providing interoperability between network video products regardless of manufacturer.

Package Contents

- AV4956DN / AV10956DN / AV16956DN

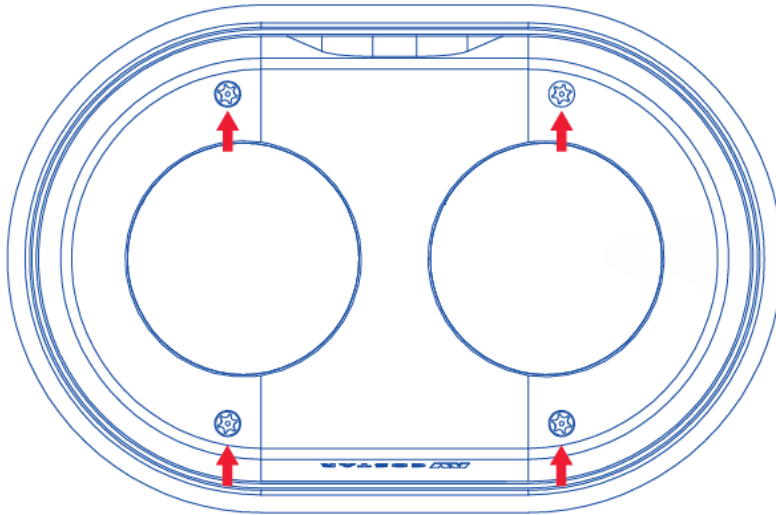
Description	QTY
AV4956DN / AV10956DN / AV16956DN IP camera	1
Mounting Template	1
Mounting Plate	1
Accessory Pack	1



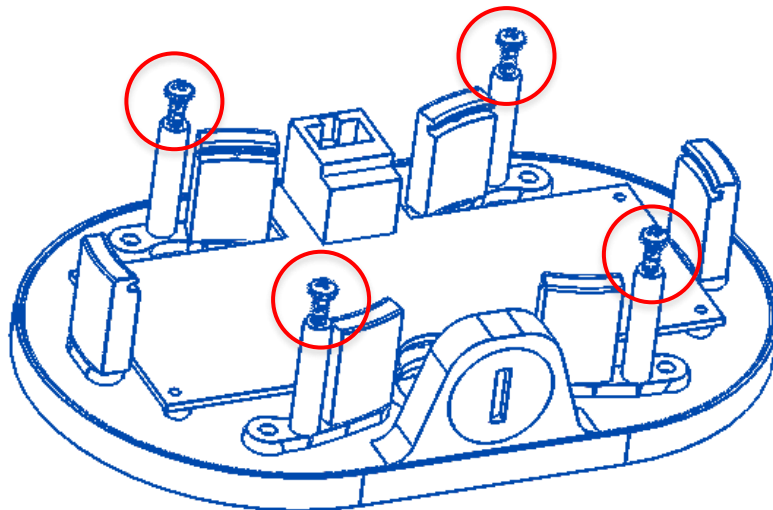
Installation

Surface Mounting

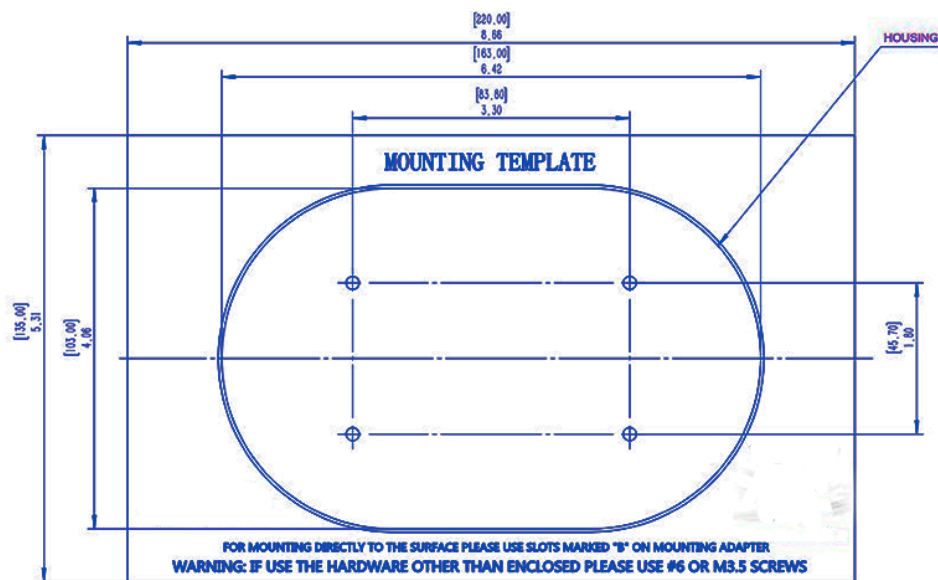
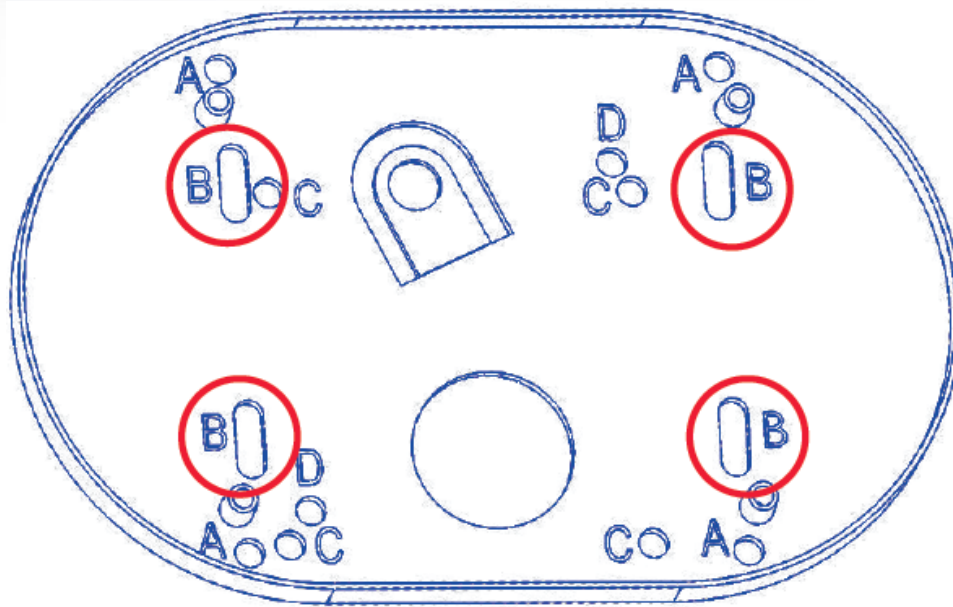
1. Determine a secure location to mount the camera.
2. Use the supplied security L-key, to loosen the four (4) screws which secure the cover.
3. Remove the cover. Do not remove screws from the dome cover.



4. Use Phillips screwdriver to loosen the four (4) screws securing the camera to adapter plate. (some parts removed for clarity)



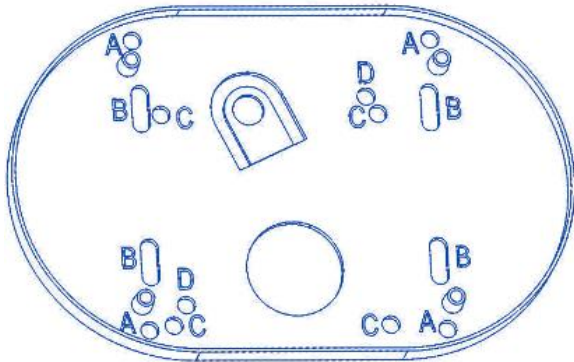
5. Separate Camera from Adapter Plate. Do not remove the screws.
6. Use Mounting template to create mounting provisions for the camera.
7. Mount Adapter Plate by installing mounting hardware in 4 slots "B" in adapter plate



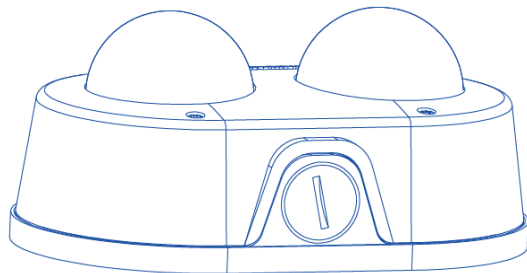
8. Re-attach camera to adapter plate (Reverse step 4 and 5)
9. Re-attach cover to camera (Reverse step 2 and 3)

Drop Ceiling Mount Adapter Plate Installation

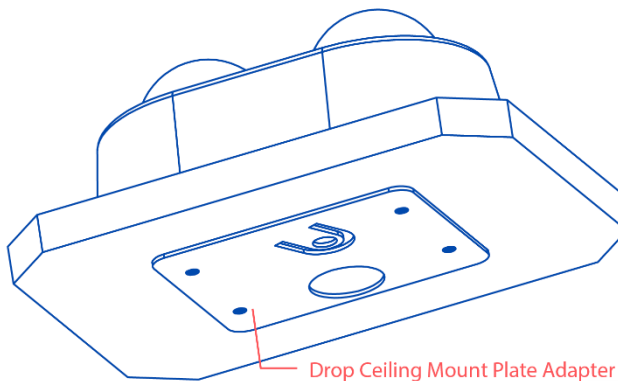
1. Repeat step 1-5 of Surface Installation (See Pic. 1-3)
2. Use template and cable location to create mounting provisions for the Plate. Use 3/16" drill bits for four mounting holes in Drop Ceiling Panel.



3. Using enclosed #6-32 screws attach enclosed Drop Ceiling Mount Plate Adapter and Adapter Plate onto opposite sides of Drop Ceiling Panel, so the panel is “sandwiched” between Adapter Plate and Drop Ceiling Mount Plate Adapter. Use 4 slots “B” in Adapter Plate.



4. Re-attach camera to adapter plate (Reverse step 4 and 5)
5. Re-attach cover to camera (Reverse step 2 and 3)
6. Re-install the Drop Ceiling Panel and plug Customer Ethernet cable into female end of Camera Ethernet cable.



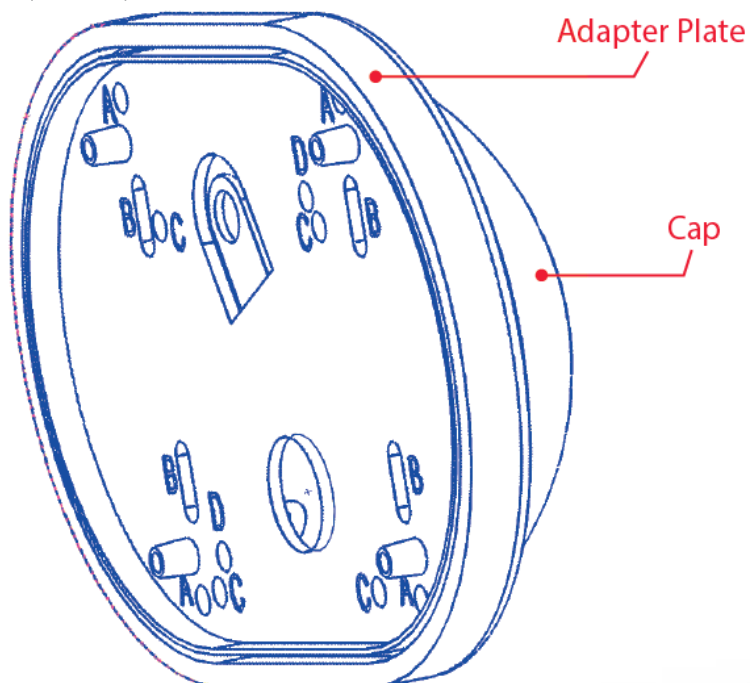
Accessories

AV Costar offers various mounting solutions for the ConteralP MicroDome Duo LX series of cameras that provide wall, pendant, and corner mounting options. Please visit the camera models' webpage on www.avcostar.com or contact your local sales representative for information on all accessories.

Model Number	Description
AV-1AK	Audio Cable Kit
AV-CRMA-W	Corner Mount Adapter (AV Costar White)
AV-JBA-W	Standard Junction Box (AV Costar White)
AV-PMA-W	Pole Mount Adapter (AV Costar White)
MDD-CMT-W	Pendant Mount and Cap with 1/2" NPT Standard for ConteralP MicroDome Duo LX (AV Costar White)
MDD-WMT-W	Wall Mount and Cap with 1/2" NPT Standard for ConteralP MicroDome Duo LX (AV Costar White)
MDD-FMA	Flush Mount Adapter for ConteralP MicroDome Duo LX (White)

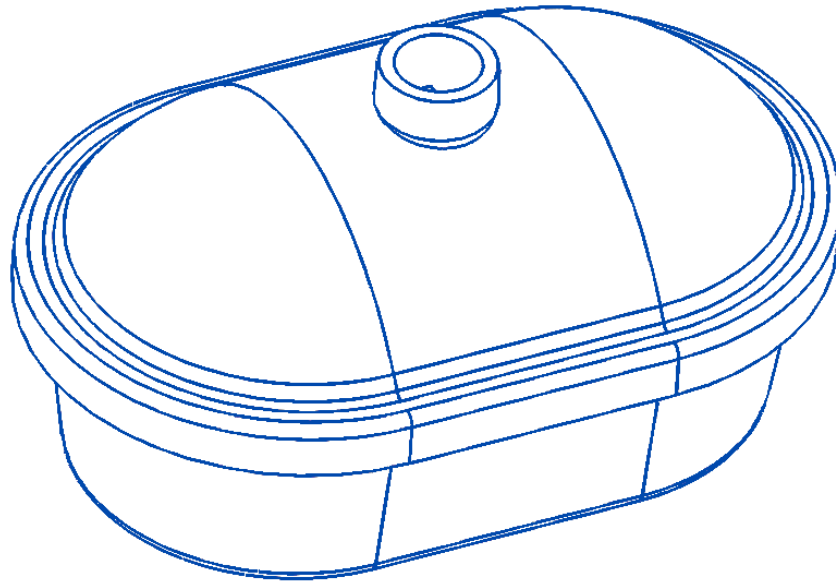
Cap Installation

1. Repeat step 1-5 of Surface Installation



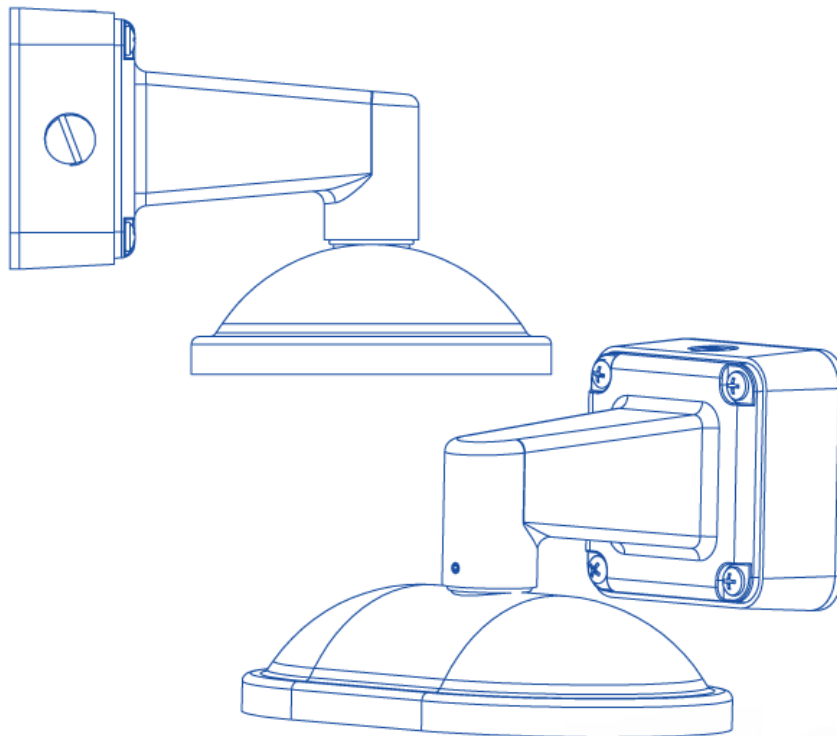
2. Insert Adapter Plate into the Cap and attach it to the cap, using the 4 screws through 4 "A" holes using enclosed #6-32 screws.

3. Re-attach camera to adapter plate (Reverse step 4 and 5)
4. Re-attach cover to camera (Reverse step 2 and 3)

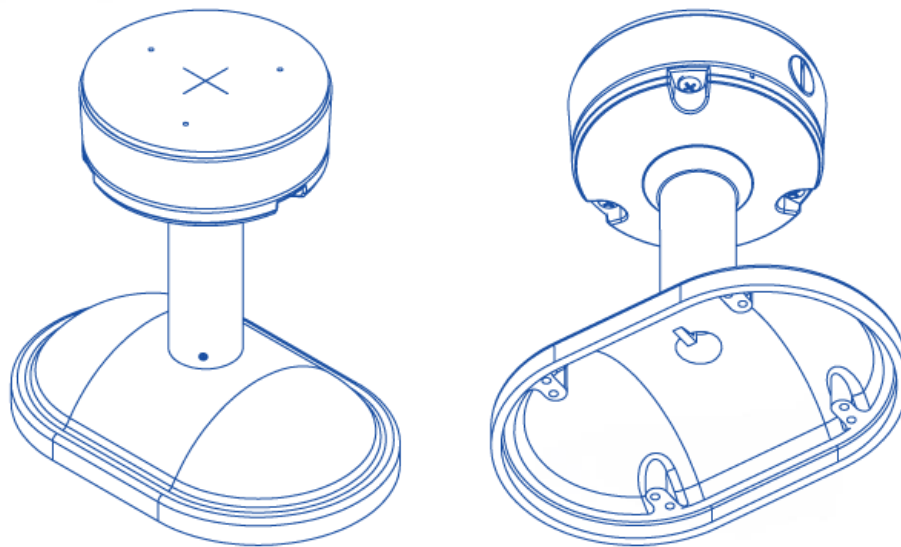


Camera and Cap Assembly

5. Camera and Cap Assembly is part of the wall mount or ceiling mount



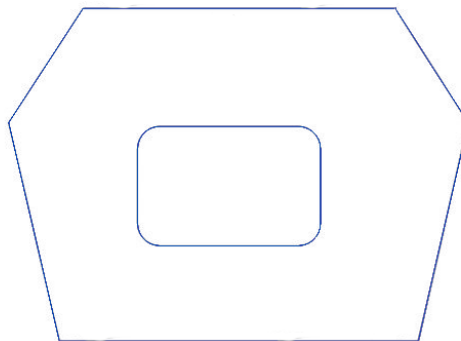
MDD-WMT-W Wall Mount and Cap



MDD-CMT-W Wall Mount and Cap

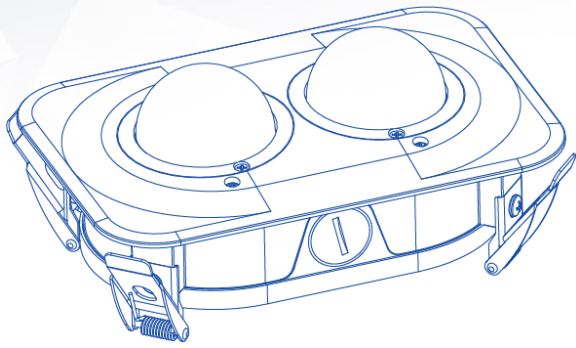
Flush Mount Installation

1. Use template to cut the ceiling plate and create mounting provisions for the Flush Mount ceiling panel.

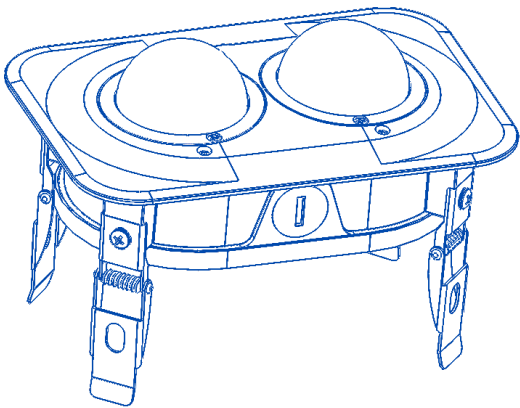


Ceiling Panel with Hole Cut Using Template

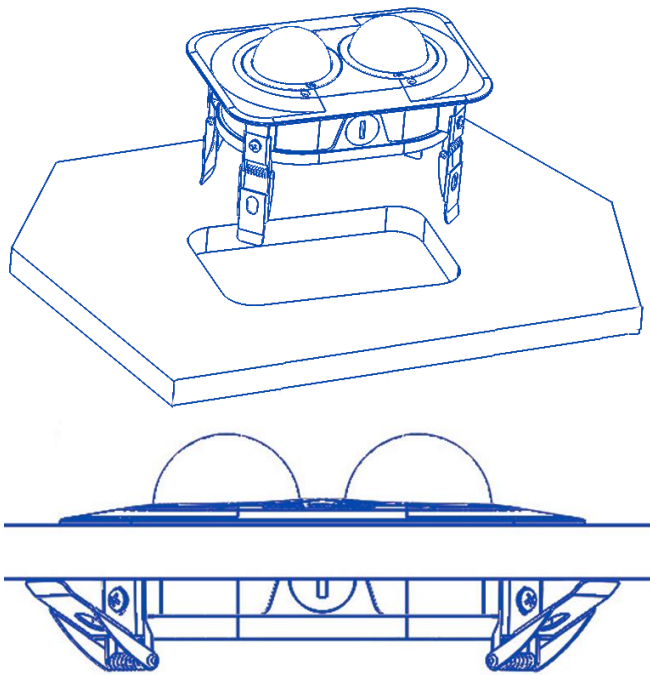
2. Use the supplied security L-key, to loosen the four (4) screws which secure the cover on camera. (See Surface Mounting Step 3). Remove the cover.
3. Install Flush Mount Cover and tighten the four (4) screws which secure the Flush Mount Adapter to camera.



4. Plug PoE cable (not shown for clarity)
5. Hold all four latches as shown below

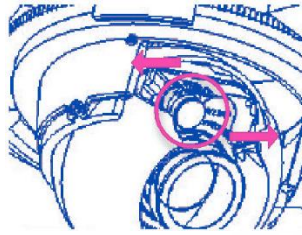


6. Insert camera into cutout prepared in Step 1

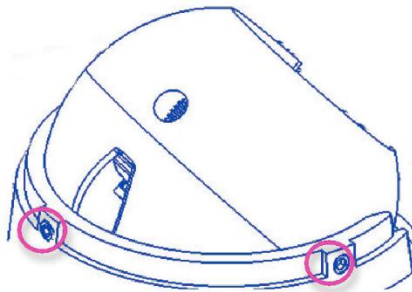


Pan and Tilt Adjustment

1. Use the supplied security L-key, to loosen the four (4) screws which secure the cover (See Surface Mounting Step 3)
2. Remove the cover.
3. Adjust the pan and tilt of each camera module to obtain the desired field of view.
Do not to press the remote focus motor against the sides of camera module when adjusting the field of view (refer to the image below).



4. Lock the camera head in place by tightening at least two of the three set screws with the supplied flat-head screwdriver. Do not over torque the screws (refer to the image below)



NOTE: The set screws are not pre-installed in the camera. They are included in the accessory pack with the camera and should be installed prior to the completion of installation to ensure that cameras are secured in position.

5. Re-attach cover to camera.

Lens Replacement

1. Use the supplied security L-key, to loosen the four (4) screws which secure the cover (See Surface Mounting Step 3). Remove the cover.
2. Manually turn the lens counterclockwise, this may take several turns.
3. Screw the replacement lens clockwise until you feel some resistance and hit a hard stop.
4. Repeat for another camera module if necessary.

Lens Options

NOTE: Spacers are required for some lens options. See table below.

Lens Part Number	Description	Numbers of Spacers Needed
MPM2.4	2.4mm	0
MPM2.8C	2.8mm	0
MPM4.0A	4mm	2
MPM6.0	6mm	2
MPM8.0	8mm	2
MPM12.0A	12mm	2
MPM16.0	16mm	1

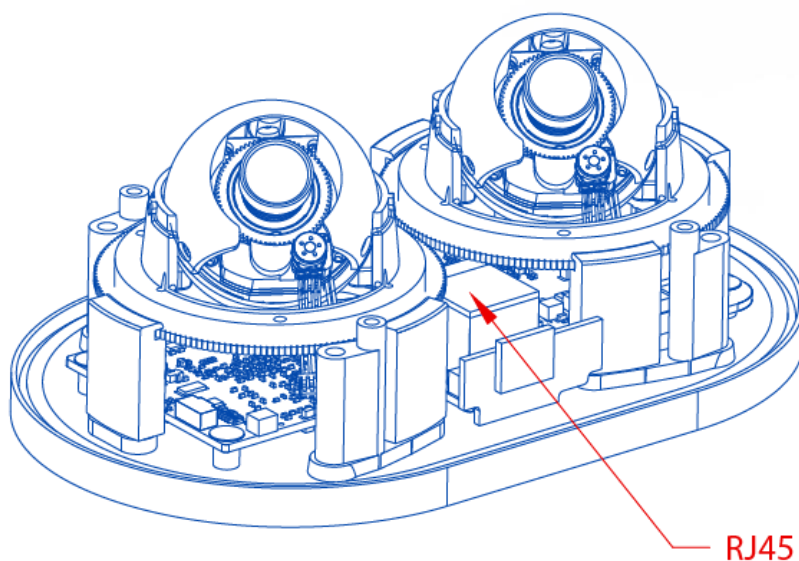


Camera Power Up

⚠ CAUTION! This product should be installed by a qualified service technician in accordance with the National Electrical Code (NEC 800 CC Section 60) or applicable local code. Wiring methods should be in accordance with the National Electrical Code/NFPA 70/ANSI, also with all local codes and authorities having jurisdiction. Wiring should be UL Listed and/or Recognized wire suitable for the application.

⚠ CAUTION! Make the connections inside a watertight compartment. Isolate unused power wires individually. After connections are made, ensure that the watertight compartment is tightly closed and cables and conduits are properly sealed to prevent ingress of water.

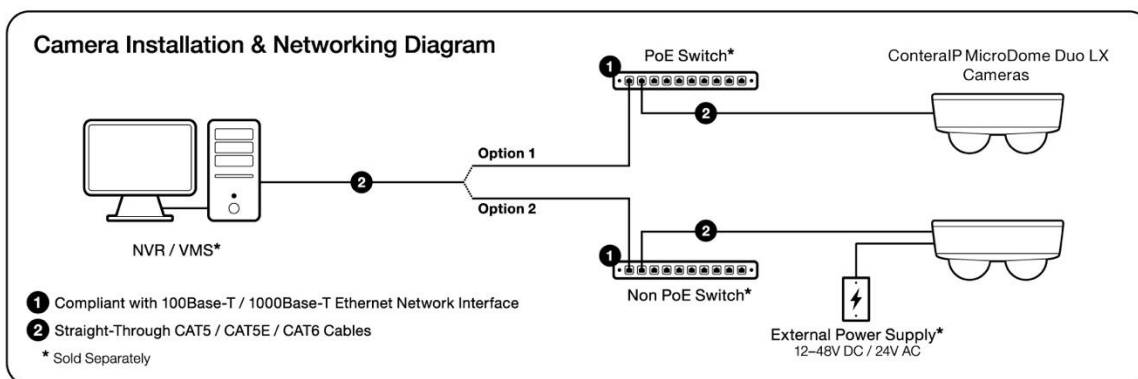
1. Connect the camera to a PoE port on 1000Mbps network PoE switch using an Ethernet cable.
2. If the camera is powered by an external power supply 12-48V DC or 24V AC must be supplied.



NOTE: This product is intended to be supplied by a Listed Power Adapter or DC power source, rated 12-48VDC or 12VDC (Max.10.5W), 24 VAC, 50/60Hz (Max. 10.5W), or PoE 48VDC (Max. 9.5W), T_{ma} = 50°C, and the altitude of operation = 2000m. For assistance with purchasing the power source, please contact AV Costar for further information. Ensure the power cord connection of the power adapter at the socket-outlet provides an earthing connection.

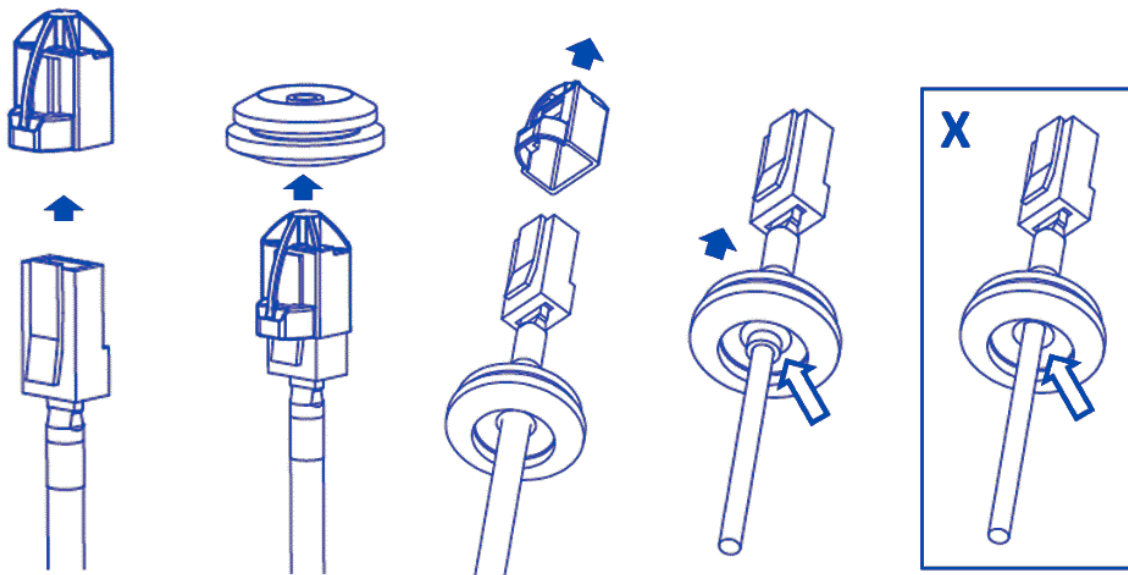
3. Connect the PoE switch to your computer's network port by using an ethernet cable.

LED	Status	Description
Green	Quick Flashing	Link has been established
	Slow Flashing	Normal operation
None	None	No connection



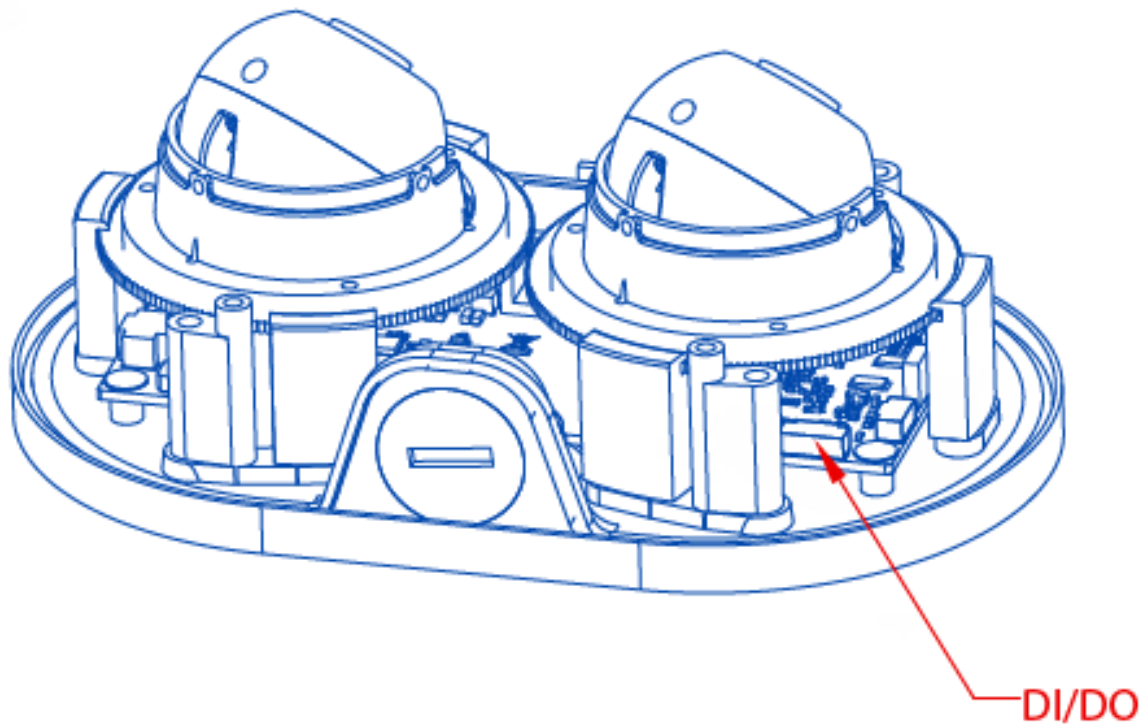
Usage of Ethernet cable other than included M/F PoE cable

1. Insert CAT 5E cable into Grommet Installation Tool.
2. If intending to use AC/DC power to power up the camera, insert the wire (not supplied) into grommet.
3. If intending to use I/O cable, insert the supplied cable into grommet.
4. Insert Ethernet cable with tool on it into the grommet as shown. Make sure the grommet is installed from the correct side.
5. Remove grommet installation tool.



NOTE: If using AC/DC power cable, I/O cable, or Audio cable, make sure to caulk the grommet to avoid water leakage.

Alarm I/O Functions



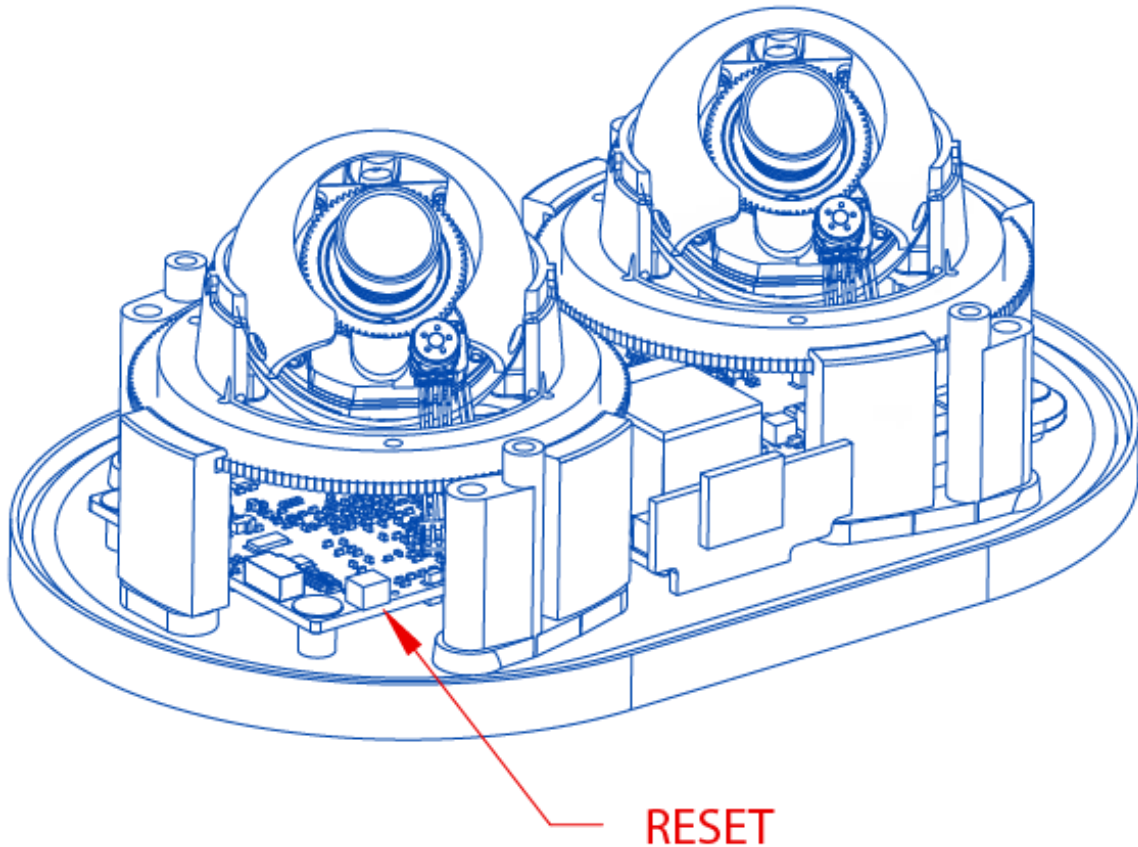
Connect the Alarm In (DI) connector to the alarm input sensor, and then connect the Alarm Out (DO) connector to the alarm output signal.

To avoid any damage, please follow the specification of the part as below:

Alarm In (Wet Contact)		Alarm Out (Wet Contact)	
3.5-12 VDC	50mA (max)	0-30 VDC	50mA (max)

Reset to Factory Default

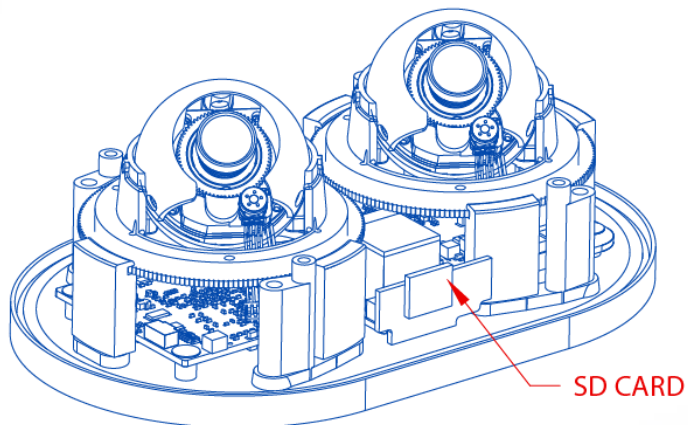
1. Press and hold the reset button for 2 to 5 seconds, then release the reset button.
This resets the camera to the factory default except for the network settings.
2. Press and hold the reset button for more than 5 seconds, then release the reset button.
This resets the camera to the factory default, and this resets the network settings to the factory default.



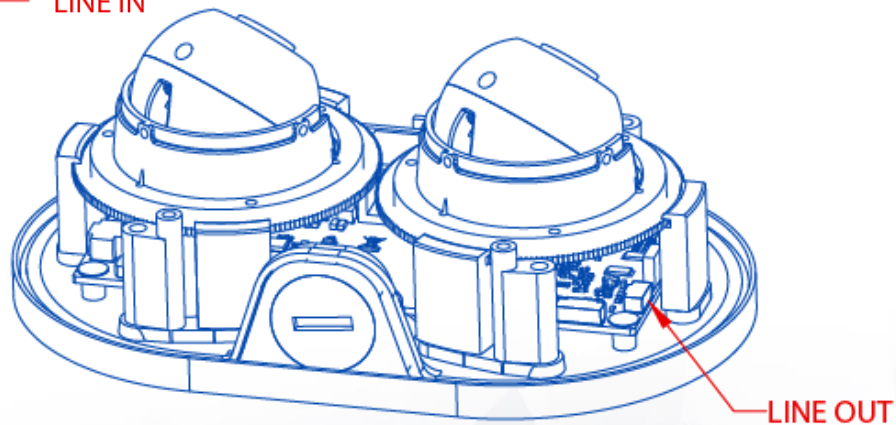
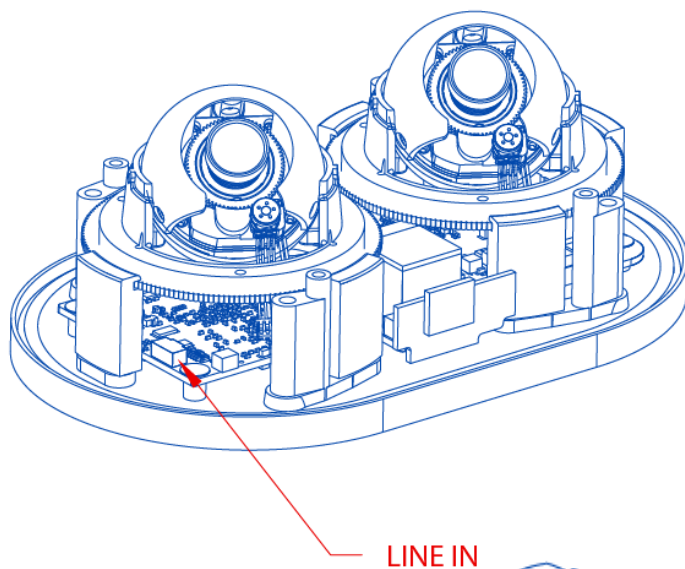
3. The User can also reset the camera to factory default via the camera web interface or the Costar Camera Utility.

Audio/SD Card Info

- SD Card Slot



- Audio Connector



Camera Discovery, Setup, and Configuration

Costar Camera Utility is recommended for camera discovery and setup. Software can be found on the website of AV Costar™ <https://sales.arecontvision.com/software.php>.

The Costar Camera Utility can provide multiple discovery options including broadcast and multicast, check the status of a camera, change the camera settings, import and export camera settings via a .csv file, and update firmware and/or hardware from virtually anywhere with a network connection.

The Costar Camera Utility tool is efficient and convenient for mass or single camera uploads whether used for large installations that require an update to multiple settings, or smaller installations where only one camera needs to be changed.

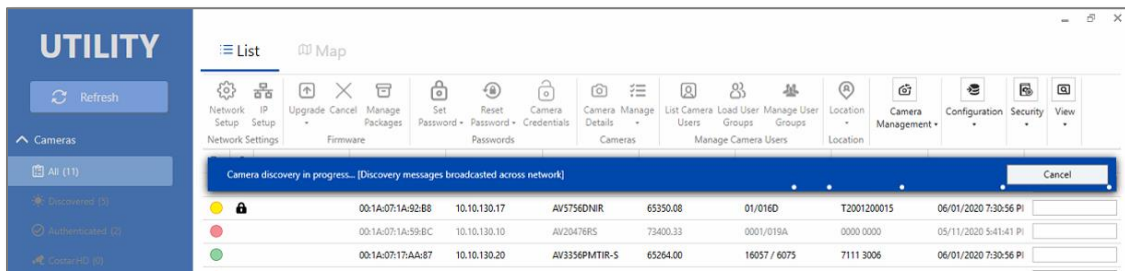
The Costar Camera Utility version v3.1.2x+ tool is compatible with all AV Costar™ ConteralIP® cameras. The user manual for the software is available on our website.

Camera Discovery

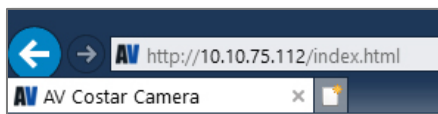
1. Locate and double click Costar Utility shortcut on the desktop and login.



2. When the Costar Camera Utility is launched, it will automatically search the network for AV Costar and CostarHD cameras on the network and over a time interval. You can also manually search cameras by clicking the “Refresh” button.



3. You can access the camera web user interface by typing the camera IP address on the preferred web browser.



4. If there is no DHCP server present in the network, the camera will default to the following IP Address “192.168.1.168”.

NOTE: A password must be entered before the camera can be used. To choose a password, visit the camera’s webpage or use the configuration utility.



INITIAL PASSWORD SETUP

Prior to accessing this device for the first time a unique admin password must be created:

User Name: **admin**

Password:

Confirm Password:

SUBMIT

Prior to accessing this device for the first time a unique admin password must be created

Web Interface Navigation



AV10856DN
Firmware: 65411.8
MAC: 00-1a-07-1a-93-45

Focus Image Video & Audio Network Privacy Mask Event System Administration Support

The entire menu is located on the top of the web interface.

The following camera settings are available on the top of the menu in the web interface, and the user will be directed to the page that they click on the menu.

- **Focus**
- **Image**
 - Basic
 - Channel
 - Picture (Basic Image Settings)
 - Misc (AE Mode/AWB Mode)
 - WDR (Wide Dynamic Range) Mode
 - Day/Night Mode
 - Lighting Compensation Frequency
 - OSD (On-Screen Display)
 - General Setting
 - Text Overlay
 - ROI (Regions of Interest)
- **Video & Audio**
 - Codec
 - Channel
 - Main Stream Configuration
 - Sub Stream Configuration
 - Third Stream Configuration
 - Audio
- **Network**
 - Basic
 - IP Assignment
 - Ports
 - DNS
 - IPv6 Settings
 - QoS (Quality of Service)
 - UPnP (Universal Plug and Play)
 - RTSP (Real Time Streaming Protocol)
 - DDNS (Dynamic DNS)
 - SNMP (Simple Network Management Protocol)
 - SSL (Secure Sockets Layer)
 - FTP (File Transfer Protocol)
 - 802.1x
 - LDAP
- **Privacy Mask**
- **Event**

- Motion Detection
- Alarm Handler
- Digital I/O
- Tamper Detection
- Network Failure
- SD Card
- FTP Upload
- SMTP (Simple Mail Transfer Protocol) Notification
- Network Storage
- **System**
 - Maintenance
 - Camera Information
 - Camera Name
 - Firmware Upgrade
 - Download Log
 - Reboot the Camera
 - Configuration Management
 - Restore Settings
 - Date/Time
- **Administration**
 - Administrator settings
 - Viewer Management
- **Support**



1. In the upper left-hand corner, there is a Flip button that allows you to rotate images up-side-down (180 degrees) with reorienting the channel order.
2. You will be able to see the Channel number when you move the mouse over the image of the channel.
3. You will be able to reboot or restore the camera to factory default on Live View page.

Focus



AV10956DN
 Firmware: 65431
 MAC: 00-1a-07-1a-a2-67

- Focus**
- Image
- Video & Audio
- Network
- Privacy Mask
- Event
- System
- Administration
- Support

Menu	Feature	Description
	Select Channel	To control the remote focus via the web interface, double click the camera within the Costar Camera Utility or open your preferred web browser and type the camera's IP address. NOTE: For supporting H.264 streaming on a webpage, the recommended browsers are Internet Explorer and Firefox.
	Manual Focus: +20, +5, +1, -20, -5, -1	Number indicates the level of focusing in order to adjust the field-of-view.
	Full-range Focus	Full-range Focus button. The camera begins to autofocus with the lens stopping at the best overall point of focus.
	Short-range Focus	Best for scenes that are slightly of out of focus. The camera quickly fine-tunes for a precise focus position.
	Stop	Stops any command in progress.
	Reset Focus Position	Resets Focus lens groups to zero position.

Image



AV10956DN
Firmware: 65431
MAC: 00-1a-07-1a-a2-67

Focus **Image** Video & Audio Network Privacy Mask Event System Administration Support

Menu	Feature	Description
<p>Channel</p> <p>Select channel: <input type="text" value="1"/> <input type="button" value="Sync All Channels"/></p>	Select Channel	Select desired channel, 1-2. Click Sync All Channels to apply settings to all four channels.
<p>Picture</p> <p>Brightness (-50...50) <input type="text" value="0"/> <input type="button" value="Set"/></p> <p>Sharpness (0...4) <input type="text" value="2"/> <input type="button" value="Set"/></p> <p>Saturation (0...6) <input type="text" value="3"/> <input type="button" value="Set"/></p> <p>Contrast (0...100) <input type="text" value="50"/> <input type="button" value="Set"/></p> <p>Hue (0...100) <input type="text" value="50"/> <input type="button" value="Set"/></p>	Brightness	Controls the overall brightness of the camera image and works in conjunction with the exposure controls to maintain the image brightness.
	Sharpness	Controls sharpness and edge definition of the image. Setting this to lower levels may make the overall image appear a bit softer while causing lines and edges in the image to look smoother.
	Saturation	Controls the color saturation of the image.
	Contrast	Manually controls Gamma level (affects the overall luminance of the image).
	Hue	Configures the overall hue of the image with a range of 0 ~ 100. Increasing the value will adjust the image hue towards red. Decreasing the value will adjust the image hue towards blue.
<p>Misc</p> <p><input type="checkbox"/> Rotate</p> <p><input type="checkbox"/> Sync Brightness</p> <p>AE Mode: <input type="text" value="Auto"/></p> <p>AWB Mode: <input type="text" value="Auto"/></p>	Rotate	Enable the image rotation on each channel.
	Sync Brightness	Sync Brightness is selected, the Exposure Time Control and Gain Control are the same for both channels.
	AE Mode (Auto Exposure Mode)	<p>Lock: This option locks the exposure settings to the current values.</p> <p>Auto: If Auto is selected, each channel has individual settings of the Exposure Time Control and Gain Control.</p> <p>NOTE: When AE mode is set to "Lock" the camera will not update for new lighting conditions.</p>

<p>Misc</p> <p><input type="checkbox"/> Rotate</p> <p><input type="checkbox"/> Sync Brightness</p> <p>AE Mode: <input type="text" value="Auto"/></p> <p>AWB Mode: <input type="text" value="Auto"/></p>	<p>AWB Mode (Auto White Balance Mode)</p>	<p>Auto: Enables the automatic white balance feature of camera, which will automatically remove unrealistic color cast so that the color white is rendered white in the image.</p> <p>Off: Select Off to disable AWB Mode.</p>
<p>WDR Mode</p> <p><input type="radio"/> Auto</p> <p><input checked="" type="radio"/> LDR</p> <p>Auto Exposure Mode</p> <p>Stream Profiles</p> <p><input checked="" type="radio"/> Balanced Mode <input checked="" type="checkbox"/> Slow Shutter</p> <p><input type="radio"/> Quality Mode</p> <p><input type="radio"/> Moonlight Mode</p> <p><input type="radio"/> Custom Exposure Mode</p> <p>Short exposures(1~80) <input type="text" value="33"/> <input type="button" value="Set"/></p>	<p>Auto</p>	<p>Enhances the dark areas by adjusting the gamma value.</p>
	<p>LDR</p>	<p>Will not combine long and short exposures into one frame, resulting in better low-light performance.</p>
	<p>Auto Exposure</p>	<p>Automatically adjusts illumination and exposure values.</p>
	<p>Stream Profiles: Balance Mode -Slow Shutter Quality Mode Moonlight Mode Custom Exposure Mode</p>	<p>Balanced Mode: Limits exposure time from 0.1ms to 66ms. The camera will keep highest FPS when Slow Shutter is unchecked.</p> <p>Quality Mode: Limits exposure time from 0.1ms to 200ms. This mode is a good compromise between reducing noise and motion blur under most lighting conditions, but with an increase in motion blur under low light conditions.</p> <p>Moonlight Mode: Limits exposure time from 20ms to 500ms. This mode produces the best image quality under very low light conditions with the least amount of image noise. The trade-off is low noise at the expense of high motion blur.</p> <p>Custom Exposure Mode: Enables manual setting of exposure time between 1 and 500ms. Shorter exposure times reduces motion blur for applications such as monitoring fast moving objects and reading license plates. The trade-off is an increased level of noise. It is recommended that this mode is used only when there is constant scene illumination sufficient enough to provide a quality image.</p>
<p>Lighting Compensation Frequency</p> <p><input type="radio"/> 50 Hz</p> <p><input checked="" type="radio"/> 60 Hz</p> <p><input type="radio"/> Custom</p> <p>Frequency (Hz)(5~255): <input type="text" value="60"/> <input type="button" value="Set"/></p>	<p>Lighting Compensation Frequency: 50Hz, 60Hz, Custom</p>	<p>Prevents flicker caused by the power line frequency of lighting. Choose 50Hz for Europe or China, and 60Hz for US or Japan. This parameter will have no effect when the dominant light is sunlight. Optionally, the user can select a frequency between 5Hz and 255Hz. It will be enabled when user selects "Custom".</p>

<p>Day/Night Mode</p> <ul style="list-style-type: none"> <input checked="" type="radio"/> Automatic <ul style="list-style-type: none"> Day to Night Switching Level(0~255): <input type="text" value="40"/> <input type="button" value="Set"/> Night to Day Switching Level(0~255): <input type="text" value="80"/> <input type="button" value="Set"/> <input type="radio"/> Day <input type="radio"/> Night <input type="radio"/> Schedule Day Mode <ul style="list-style-type: none"> Start: <input type="text" value="6"/> : <input type="text" value="0"/> (hh:mm) <input type="button" value="Set"/> End: <input type="text" value="18"/> : <input type="text" value="0"/> (hh:mm) <input type="button" value="Set"/> 	<p>Day/Night Mode: Automatic Day Night Schedule Day Mode</p>	<p>Automatic: Enables the camera to automatically switch from day mode to night mode. User can define the switching level from Day to Night or Night to Day. Day: Forces the camera to stay in day mode. Night: Forces the camera to stay in night mode. Schedule Day Mode: User defined times that the camera remains in day mode.</p>
<p>Basic OSD ROI</p> <p>General Setting</p> <p>Camera Name: <input type="text" value="AV10956DN"/></p> <p>Font Border <input type="checkbox"/></p> <p>Text color: <input type="text" value="White"/></p> <p>Text Overlay</p> <p>Top Left: <input type="text" value="OFF"/></p> <p>Top Right: <input type="text" value="OFF"/></p> <p>Bottom Left: <input type="text" value="OFF"/></p> <p>Bottom Right: <input type="text" value="OFF"/></p>	<p>Camera Name</p>	<p>Specifies a name for the camera. The maximum name length is 32 characters.</p>
	<p>Font Border</p>	<p>Enables a border for the text overlay.</p>
	<p>Text Color</p>	<p>Options are Black, White, Green, or Yellow.</p>
	<p>Text Overlay: Off Date/Time Camera Name Camera Name + Date/Time Custom Text</p>	<p>There are four content positions (Top Left, Top Right, Bottom Left and Bottom Right) to display the text overlay. Date / Time: Displays the current date/time. It will force the camera to synchronize the date/time information. Camera Name: Displays the camera name you set. Camera Name + Date / Time: Displays both camera name and date/time information. Custom Text: Displays a customized text.</p>

<p>ROI Exit</p> <p>Select channel: 1 ▼</p> <p>* Create custom regions of interest by enabling zones below and selecting the desired quality level. Then create the ROI by dragging the mouse over the live image and press "Save Area" or "Del Area".</p> <p>Stream: Main Stream ▼</p> <p>ROI Zone 1: <input type="checkbox"/> Enable Medium ▼ Save Area Del Area</p> <p>ROI Zone 2: <input type="checkbox"/> Enable Medium ▼ Save Area Del Area</p> <p>ROI Zone 3: <input type="checkbox"/> Enable Medium ▼ Save Area Del Area</p> <p>ROI Zone 4: <input type="checkbox"/> Enable Medium ▼ Save Area Del Area</p> <p>ROI Zone 5: <input type="checkbox"/> Enable Medium ▼ Save Area Del Area</p>	<p>ROI (Regions of Interest)</p>	<p>ROI (Regions of Interest) is used to select which areas will be monitored and recorded with higher image quality while using lower image quality for other non-ROI zones in order to save bandwidth and storage.</p> <p>To setup the ROI:</p> <ol style="list-style-type: none"> 1. Select the desired channel 2. Select Main Stream or Sub Stream 3. Enable zones (up to five zones) and select the desired quality level (High, Medium, or Low) 4. Create the ROI by dragging the mouse over the live image 5. Press Save Area or Del Area
--	----------------------------------	--

Video & Audio



AV10956DN
Firmware: 65431
MAC: 00-1a-07-1a-a2-67

Focus Image **Video & Audio** Network Privacy Mask Event System Administration Support

Menu	Feature	Description
Channel Select channel: <input type="text" value="Sync All Channels"/>	Select channel	Select the desired channel to change video settings or select Sync All Channels to change video settings for all four channels at once.
Main Stream Codec: <input type="text" value="H.264"/> Resolution: <input type="text" value="2592x1944"/> <input type="checkbox"/> Enable SNAPstream+™ <input type="radio"/> Variable Bitrate <input checked="" type="radio"/> Maximum Bitrate Rate Limit (128-8000 kbps): <input type="text" value="4000"/> H.264 Quality (1...10): <input type="text" value="3"/> <small>* 10 - lowest quality, 1 - highest quality</small> <input type="radio"/> Constant Bitrate (512-8000 kbps) <input type="text" value="0"/> Frames Per Seconds (1~15): <input type="text" value="15"/> GOP Length (1~120): <input type="text" value="15"/>	Codec: H.265 / H.264	Selects H.264 or H.265 encoding
	Resolution	Selects the desired stream resolution
	Enable SNAPstream+™	Enable the SNAPstream+™ feature on the camera. This feature utilizes both Smart GOP and Smart ROI to reduce bitrate without impacting the image quality. Smart GOP sets GOP to automatically increase when no moving objects are detected. Smart ROI will increase the bitrate of moving objects and make them clearer.
	Variable Bitrate	Maintains the quality settings configured. There may be variation in the bit rate output from the camera when using this mode.
	Maximum Bitrate	Maintains variable bit rate control and maintains the bitrate under the rate limit you choose. It can be set from 128 kbps to 8000 kbps.
	H.264 Quality	H.264 image quality setting for variable bit rate control. Setting a lower value results in higher image quality or setting a higher value results in lower image quality.
	Frames Per Seconds	Frame rate adjustment for the camera video stream.
Sub Stream	GOP Length	Specifies how many frames exist between two consecutive I-Frames.
Sub Stream Codec: <input type="text" value="H.264"/> Resolution: <input type="text" value="1296x972"/> <input type="checkbox"/> Enable SNAPstream+™ <input type="radio"/> Variable Bitrate <input checked="" type="radio"/> Maximum Bitrate Rate Limit (128-8000 kbps): <input type="text" value="4000"/> H.264 Quality (1...10): <input type="text" value="3"/> <small>* 10 - lowest quality, 1 - highest quality</small> <input type="radio"/> Constant Bitrate (512-8000 kbps) <input type="text" value="0"/> Frames Per Seconds (1~15): <input type="text" value="15"/> GOP Length (1~120): <input type="text" value="15"/>		

<p>Third Stream</p> <p>Codec: MJPEG ▼</p> <p>Resolution: 640x480 ▼</p> <p>Quality: Middle ▼</p> <p>Frame Rate (0~30): 5</p>	<p>Video Compression: MPJEG</p>	<p>The third stream is designed for the live view on web interface, and the only option of Video Compression is MPJEG.</p>
	<p>Resolution</p>	<p>The third stream is designed for the live view on web interface, and the only option for Resolution is VGA.</p>
	<p>Quality: Low / Middle / High</p>	<p>Adjusts the compression level for JPEG images</p>
	<p>Frame Rate</p>	<p>Frame rate adjustment for the camera video stream.</p>
	<p>Video Compression: MPJEG</p>	<p>The third stream is designed for the live view on web interface, and the only option of Video Compression is MPJEG.</p>
<p>Codec Audio</p> <p>Audio Configuration</p> <p>Audio In: <input checked="" type="radio"/> Enable <input type="radio"/> Disable Audio In Volume: Mid ▼</p> <p>Audio Out: <input checked="" type="radio"/> Enable <input type="radio"/> Disable Audio Out Volume: Mid ▼ Encoding: U-Law ▼</p> <p>Apply</p>	<p>Audio In Enable/Disable Audio In Volume Audio Out Enable/Disable Audio Out Volume Encoding</p>	<p>Enable/Disable: Enables or Disables the Audio In / Audio Out features on the camera. Audio In/Out Volume: Specifies the volume level of Audio In / Audio Out High, Middle, or Low. Encoding: Specifies the encoding algorithm: A-Law or U-Law.</p>

Network



AV10956DN
Firmware: 65431
MAC: 00-1a-07-1a-a2-67

Focus Image Video & Audio **Network** Privacy Mask Event System Administration Support

Menu	Feature	Description
<p>IP Assignment</p> <p>IP Address: 10.10.45.60</p> <p>Subnet Mask: 255.255.255.0</p> <p>Default Gateway: 10.10.45.1</p> <hr/> <p>Ports</p> <p>HTTP Port: 80 (80,1024~65535)</p> <p>Second HTTP Port: 8080 (8080,1024~65535)</p> <p>HTTPS Port: 443 (443,1024~65535)</p> <hr/> <p>DNS</p> <p>Primary DNS: 10.10.0.5</p> <p>Secondary DNS: 10.10.0.177</p>	<p>IP Assignment: DHCP IP Address Subnet Mask Default Gateway</p>	<p>DHCP: If checked, the camera will attempt to obtain its IP address from the DHCP server available on the network.</p> <p>IP Address: Sets the current IP address of the camera.</p> <p>Subnet Mask: Once set, the camera will use these mask bits to determine if a destination is from a different network.</p> <p>Default Gateway: Once set, the camera will send network traffic to the specified gateway if the destination is on a different network.</p>
	<p>Port: HTTP Second HTTP Port HTTPs</p>	<p>HTTP: The port default is 80. It is used to access the camera via the web browser.</p> <p>Second HTTP Port: Sets an alternative HTTP port. This port can be useful when the standard HTTP port (80) is not appropriate for this camera.</p> <p>HTTPs: The port default is 443. It can be used when you use HTTPs.</p>
	<p>Port: Primary DNS Secondary DNS</p>	<p>Configures the Primary and Secondary DNS.</p>
<p>IPv6 Settings</p> <p><input type="checkbox"/> Enable IPv6</p> <p>Link-Local: IPv6 Address</p> <p>Address Prefix: 64 (0~127)</p> <p>Default Route</p> <p><input type="checkbox"/> Router Advertisement DNS</p>	<p>IPv6 Settings: Enable IPv6 IPv6 Address Address Prefix Default Route Router Advertisement DNS</p>	<p>Enable IPv6: Enables IPv6 function. Manually configures IPv6 address, Address prefix, Default route, and DNS server address.</p> <p>Router Advertisement: Enables Router Advertisement</p>
<p><input checked="" type="checkbox"/> QoS Enable</p> <p>QoS Video (0~63): 34 <input type="button" value="Set"/></p> <p>Management DSCP (0~63): 0 <input type="button" value="Set"/></p>	<p>QoS Enable QoS Video Management DSCP</p>	<p>Enables quality of service.</p> <p>Sets DSCP value for video traffic.</p> <p>Sets DSCP value for non-video traffic.</p>

<p>UPnP</p> <p><input checked="" type="checkbox"/> Enable UPnP</p>	<p>Enable UPnP</p>	<p>Enables Universal Plug and Play function.</p>
<p>Basic QoS UPnP RTSP</p>	<p>Select channel</p>	<p>Select the desired channel to change RTSP settings</p>
<p>Channel</p> <p>Select channel: <input type="text" value="1"/> * Video port c</p>	<p>Enable RTSP Unicast Stream</p>	<p>Enables RTSP Unicast for stream 1 (Main Stream), stream 2 (Sub Stream), and stream 3 (Third Stream)</p>
<p>Unicast</p> <p>Port: <input type="text" value="554"/> (554, 1025~65535)</p> <p><input checked="" type="checkbox"/> Enable RTSP Unicast Stream1</p> <p><input type="checkbox"/> Enable RTSP Stream1 Metadata</p> <p>Path1 : <input type="text" value="stream1"/></p> <p>Link for external media players : <input type="text" value="rtsp://10.10.46.60:554/stream1"/></p> <p><input checked="" type="checkbox"/> Enable RTSP Unicast Stream2</p> <p><input type="checkbox"/> Enable RTSP Stream2 Metadata</p> <p>Path2 : <input type="text" value="stream2"/></p> <p>Link for external media players : <input type="text" value="rtsp://10.10.46.60:554/stream2"/></p> <p><input checked="" type="checkbox"/> Enable RTSP Unicast Stream3</p> <p><input type="checkbox"/> Enable RTSP Stream3 Metadata</p> <p>Path3 : <input type="text" value="stream3"/></p> <p>Link for external media players : <input type="text" value="rtsp://10.10.46.60:554/stream3"/></p>	<p>Enable RTSP Stream metadata</p>	<p>Enables RTSP stream metadata for stream 1 (Main stream), stream 2 (Sub Stream), and stream 3 (Third Stream)</p>
<p>Path</p>	<p>Path</p>	<p>Configures the pathname for each stream.</p>
<p>Link for external media players</p>	<p>Link for external media players</p>	<p>Copies the link from here for external media players</p>
<p>Multicast Stream1</p> <p><input checked="" type="checkbox"/> Enable RTSP Multicast Stream</p> <p><input type="checkbox"/> Always Multicast</p> <p>Video IP : <input type="text" value="225.24.228.121"/></p> <p>Video Port : <input type="text" value="5016"/> (1025~65535)</p> <p>Audio IP : <input type="text" value="226.24.228.121"/></p> <p>Audio Port : <input type="text" value="5002"/> (1025~65535)</p> <p>Meta IP : <input type="text" value="227.24.228.121"/></p> <p>Meta Port : <input type="text" value="5004"/> (1025~65535)</p> <p>Path : <input type="text" value="stream1m"/></p> <p>TTL : <input type="text" value="255"/> (1~255)</p>	<p>Enable RTSP Multicast Stream</p>	<p>Enables RTSP Multicast stream for stream 1 (Main stream), stream 2 (Sub Stream), and stream 3 (Third Stream)</p>
<p>Always Multicast</p>	<p>Always Multicast</p>	<p>Enables the video streams to start multicast streaming without using RTCP</p>
<p>Video IP</p> <p>Video Port</p>	<p>Video IP</p> <p>Video Port</p>	<p>Configures the multicast address and the port number to stream video.</p>
<p>Audio IP</p> <p>Audio Port</p>	<p>Audio IP</p> <p>Audio Port</p>	<p>Configures the multicast address and the port number to stream audio.</p> <p>*This function's support depends on the model</p>
<p>Meta IP</p> <p>Meta Port</p>	<p>Meta IP</p> <p>Meta Port</p>	<p>Configures the multicast address and the port number to the HTML meta.</p>
<p>Path</p>	<p>Path</p>	<p>Configures the URL address of the video stream.</p>
<p>TTL</p>	<p>TTL</p>	<p>Configures the time-to-live threshold of the multicast datagram before it is discarded by the router.</p>

DDNS <input type="checkbox"/> Enable DDNS Host Name : <input type="text"/> DDNS Server : <input type="text" value="DynDNS"/> User Name : <input type="text"/> Password : <input type="text"/> Password Confirmation : <input type="text"/>	Enable DDNS	Enables DDNS service
	Host Name	Specifies the Host name registered with the DDNS server
	DDNS Sever	Selects one of the pubic DDNS severs from the dropdown menu. Options are DynDNS, NO-IP, and Twi-DNS.
	User Name	Specifies the user name of the DDNS account.
	Password	Specifies the password of the DDNS account.
	Password Confirmation	Confirms the password of the DDNS account.
SNMP <input checked="" type="radio"/> No SNMP Server <input type="radio"/> SNMP V2c Public Community String : <input type="text" value="public"/> Private Community String : <input type="text" value="private"/> Trap Configuration Address : <input type="text" value="192.168.1.200"/> Community String : <input type="text" value="public"/> <input type="radio"/> SNMP V3 SNMP User : <input type="text" value="initial"/> Authentication : <input type="text" value="None"/> Privacy : <input type="text" value="None"/> Trap Configuration Address : <input type="text" value="192.168.1.200"/> <input type="button" value="Download MIB"/>	No SNMP Sever	Disables SNMP function
	SNMP v2c	Enables SNMP version 2 support
	Community String	Specifies the name of the community to access to SNMP information.
	Trap Configuration: Address Community String	Specifies the destination IP address to send SNMP trap messages.
	SNMP v3	Enables SNMP version 3 support.
	SNMP User	Specifies the user name of the SNMP v3.
	Authentication Password	Selects one of the Authentication modes from the dropdown menu. Options are None, MD5, and SHA. Specifies the Password for the Authentication.
	Privacy Password	Selects one of the encryption methods for SNMP v3 from the dropdown menu. Options are DES and AES. Specifies the Password for the encryption.
	Trap Configuration: Address	Specifies the destination IP address to send SNMP trap messages.
	Download MIB	Clicks to download MIB file for SNMP.
SSL Mode : <input type="radio"/> Disabled <input checked="" type="radio"/> Optional Certificate : No certificate has been installed. Action : <input type="button" value="Install New Certificate"/> Key PEM file : <input type="button" value="Choose File"/> No file chosen Certificate PEM file : <input type="button" value="Choose File"/> No file chosen	Mode	Disable: Support for HTTP only. (Optional) Support for HTTP and HTTPs both.
	Certificate	Shows the current status of the Certificate
	Action Install New Certificate Key PEM file Certificate PEM file	<ol style="list-style-type: none"> 1. Locate Key PEM file and Certificate PEM file and click Upload. 2. Click Install New Certificate to upload the Certificate.

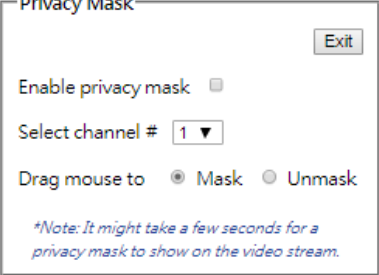
<p>FTP Server</p> <p><input type="checkbox"/> Enable</p> <p>User name : adminftp</p> <p>Password : <input type="password" value="****"/></p> <p>Confirm : <input type="password" value="****"/></p> <p>Max. Connection (1~10) : <input type="text" value="10"/></p>	<p>Enable</p> <p>Password Confirm</p> <p>Max. Connection</p>	<p>Enables FTP access to the camera.</p> <p>NOTE: This function is only available when a SD card is installed. You can access files in the SD card via FTP.</p> <p>Specifies and confirms the password to access the FTP.</p> <p>Specifies the maximum number of FTP connections to the IP camera.</p>
<p>802.1x</p> <p>Protocol :</p> <div style="border: 1px solid black; padding: 5px; width: fit-content;"> <p>NONE ▼</p> <p>NONE</p> <p>EAP-MD5</p> <p>EAP-TLS</p> <p>EAP-TTLS</p> <p>EAP-PEAP</p> </div>	<p>Protocol</p>	<p>The default is None to disable 802.1x functions. You can select one of the protocol options from the dropdown menu. The supported protocols are EAP-MD5, EAP-TLS, EAP-TTLS or EAP-PEAP.</p> <p>After the protocol has been selected, manually configure the username, password, and other required information.</p>
<p>LDAP</p> <p><input type="checkbox"/> Enable LDAP</p> <p>Server : <input type="text"/></p> <p>Port : <input type="text" value="389"/> (389, 1025-65535)</p> <p>Base dn : <input type="text" value="dc=ipcamera,dc=com"/></p> <p>Bind dn template : <input type="text" value="cn=%u,ou=people,dc=ipcamera,dc=com"/></p> <p>Search dn template : <input type="text" value="cn=%u"/></p> <p>Administrator : <input type="text" value="cn=admin,ou=groups,dc=ipcamera,dc=com"/></p> <p>Viewer : <input type="text" value="cn=user,ou=groups,dc=ipcamera,dc=com"/></p>	<p>Enable LDAP</p> <p>Server</p> <p>Port</p> <p>Base dn</p> <p>Bind dn template</p> <p>Search dn template</p> <p>Administrator</p> <p>Viewer</p>	<p>Enables LDAP service.</p> <p>Specifies the IP address of the LDAP server.</p> <p>Specifies the port address of the LDAP server. Default port is 389.</p> <p>Specifies the starting point an LDAP server uses when searching for user's authentication within the Directory.</p> <p>Identifies the username that will be used to do the searching and request the authentication</p> <p>Defines at which node the search originates</p> <p>Specifies the administrator</p> <p>Specifies the viewer user</p>

Privacy Mask



AV10956DN
 Firmware: 65431
 MAC: 00-1a-07-1a-a2-67

Focus Image Video & Audio Network **Privacy Mask** Event System Administration Support

Menu	Feature	Description
	Enable Privacy Mask	Creates a privacy mask on the image so the selected areas will not be visible.
	Select Channel	Select the desired channel to add privacy masks.
	Drag mouse to: Mask Unmask	Select Mask to add privacy masks or Select Unmask to remove privacy masks.

Event



AV10956DN
 Firmware: 65431
 MAC: 00-1a-07-1a-a2-67

Focus Image Video & Audio Network Privacy Mask **Event** System Administration Support

Menu	Feature	Description
<div style="border: 1px solid black; padding: 5px;"> <p>Motion Detection Exit</p> <p><input checked="" type="checkbox"/> Enable motion detection <input type="checkbox"/> Enable extended motion detection</p> <p>Select channel 1 ▼</p> <p>Zone Size (2..15) 11 Set</p> <p>Object Size Sensitivity (1..225) 2 Set</p> <p>Movement Duration Factor (2..31) 15 Set</p> <p>Motion Sensitivity (1..64) 30 Set</p> </div>	Enable motion detection	Turn on and off on-camera motion detection.
	Enable extended motion detection	Enables the extended motion detection and motion detection zones with an increase from default 64 to 1024 for enhanced motion detection sensitivity.
	Select channel	Select the desired channel to apply motion detection.
	Zone Size	Adjusts the size of motion detection zones.
	Object Size Sensitivity	Sets the size of each zone displayed by the motion detection grid. Contains sub zones where the number of sub zones is set by setting the zone size up to 32x32 (pixels). This setting configures the sensitivity of the motion detection to the size of objects in the image moving through the zone. Higher values will trigger motion only for larger objects moving through the zone, and lower values will cause detection of smaller objects in the zone (increasing sensitivity to smaller size objects moving through the image).
	Movement Duration Factor	Sets the sensitivity to brightness changes between dark and light objects within each grid zone. As an example, "Object Size Sensitivity" will set the size of the object detected within the zone, and "Movement Duration Factor" sets the duration that movement must be maintained to trigger motion detection. Lower settings can increase false motion alarms caused by image noise; higher settings will require more movement to trigger a motion event.
	Motion Sensitivity	Sets the sensitivity to sudden overall brightness changes in the image.

<p>Alarm Handler</p> <p><input checked="" type="checkbox"/> Enable Alarm Detection</p> <p>Alarm Schedule</p>	Enable Alarm Detection	Enables Alarm Detection (Alarm In) function.
	Alarm Schedule	Configures the alarm schedule by holding down the mouse button and clicking the time block to enable the schedule settings on the selected time. A light blue color on the time block indicates that the alarm schedule is enabled, while a light grey color indicates that the alarm schedule is disabled. Alternatively, you can manually enter the numbers to configure the hours and minutes for the “start” and “end” of the day. S: Click “S” to set up a 24-hour schedule on a particular day. D: Click “D” to clear the previous schedule on a particular day.
<p>Digital I/O</p> <p><input type="checkbox"/> Trigger Alarm Detection</p> <p><input type="checkbox"/> Trigger Motion Detection</p> <p><input type="checkbox"/> Trigger Tamper Detection</p> <p><input type="checkbox"/> Trigger Network failure</p> <p>Type <input type="text" value="N.O."/> ▼</p> <p>Off Time <input type="text" value="0"/> (0~30s)</p>	Trigger Alarm Detection	When a signal is detected from Alarm in the Alarm out will be triggered.
	Trigger Motion Detection	When a motion event is detected the Alarm out will be triggered.
	Trigger Tamper Detection	When a tamper event is detected, the Alarm out will be triggered.
	Trigger Network Failure	When a network failure event is detected the Alarm out will be triggered.
	Type	Selects the type: N.O (Normally Open) or N.C. (Normally Closed)
	Off Time	Specifies the alarm duration

<p>Tampering Detection</p> <p>Select channel: <input type="text" value="1"/></p> <p><input type="checkbox"/> Enable Tampering Detection</p> <p><input type="button" value="Tampering Schedule"/></p> <p>Sensitivity: <input type="text" value="Medium"/></p>	Select channel	Select the desired channel to enable tampering detection.
	Enable Tampering Detection	Enables Tampering Detection function.
	Tampering Schedule	Configures the alarm schedule by holding down the mouse button and clicking the time block to enable the schedule settings for the selected time. A light blue color on the time block indicates that the alarm schedule is enabled, while a light grey color indicates that the alarm schedule is disabled. Alternatively, you can manually enter the numbers to configure the hours and minutes for the “start” and “end” of the day. S: Click “S” to set up a 24-hour schedule for a particular day. D: Click “D” to clear the previous schedule for a particular day.
	Sensitivity	Configures the sensitivity level of Tamper Detection: High, Medium, and Low.
<p>Network Failure</p> <p><input type="checkbox"/> Enable Network Failure</p>	Enable Network Failure	Enable network failure detection.
<p>SD Record Handler</p> <p><input type="checkbox"/> Enable</p> <ul style="list-style-type: none"> <input type="radio"/> Trigger Alarm Detection <input type="radio"/> Trigger Motion Detection <input type="radio"/> Trigger Tampering Alarm <input type="radio"/> Trigger Network Failure <input type="radio"/> Manual Record 	SD Record Handler Enable	Enables and selects a desired trigger source. The options are Trigger Alarm Detection, Trigger Motion Detection, Trigger Tampering Alarm, Trigger Network Failure, and Manual Record.

<p>SD Card Information</p> <p>Available Storage : 0 MBytes</p> <p>Usage : 0% (0 / 0 MBytes)</p> <p>Status : not_mounted</p> <p>Overwrite when storage full : <input checked="" type="checkbox"/></p> <p>Record Type : Video ▼</p>	<p>SD Card Information</p> <p>Available Storage</p> <p>Format SD Card</p> <p>Usage</p> <p>Status</p> <p>Overwrite when storage full</p> <p>Record Type</p>	<p>Available Storage: Displays the available storage of the SD card if it is installed.</p> <p>Format SD Card: Erases all the data stored on the SD Card.</p> <p>Usage: Displays the total storage that has been used now.</p> <p>Status: Displays the status whether the SD card is installed or not. (not mounted or ok)</p> <p>Overwrite when storage full: Enables overwriting the SD card if the storage is full.</p> <p>Recording Type: Specifies the desired action to record a stream. The options are Snapshot and Video.</p>
<p>FTP Upload Handler</p> <p><input checked="" type="checkbox"/> Enable Trigger Event</p> <ul style="list-style-type: none"> <input type="radio"/> Trigger Alarm Detection <input type="radio"/> Trigger Motion Detection <input type="radio"/> Trigger Tampering Alarm <input type="radio"/> Trigger Scheduled 	<p>FTP Upload Handler</p> <p>Enable Trigger Event</p>	<p>Enables and selects a desired trigger source. The options are Trigger Alarm Detection, Trigger Motion Detection, Trigger Tampering Alarm, and Trigger Scheduled.</p>
<p>Remote Server</p> <p>Host Address : <input type="text"/></p> <p>Port : 21 <input type="text"/> (21, 1025~65)</p> <p>Username : <input type="text"/></p> <p>Password : <input type="text"/></p>	<p>Remote Server</p> <p>Host Address</p> <p>Port</p> <p>Username</p> <p>Password</p>	<p>Host Address: Specifies the host name or IP address of the FTP server.</p> <p>Port: Specifies the port number of the FTP server.</p> <p>Username: Specifies the login username of the FTP server.</p> <p>Password: Specifies the login password of the FTP server.</p>
<p>SMTP Notification Handler</p> <p>From : <input type="text"/></p> <ul style="list-style-type: none"> <input checked="" type="checkbox"/> Trigger Alarm Detection <input checked="" type="checkbox"/> Trigger Motion Detection <input checked="" type="checkbox"/> Trigger Tampering Alarm 	<p>SMTP Notification Handler</p>	<p>From: Specifies the email address of the sender</p> <p>Select a desired trigger source. The options are Trigger Alarm Detection, Trigger Motion Detection, and Trigger Tampering Alarm.</p>

<p>SMTP Server</p> <p>Host Address : <input type="text"/></p> <p>Port : <input type="text" value="25"/> (1~65535)</p> <p>Username : <input type="text"/></p> <p>Password : <input type="text"/></p> <p>Authentication : <input type="text" value="NO_AUTH"/> ▼</p>	<p>SMTP Server Host Address Port Username Password Authentication</p>	<p>Host Address: Specifies the host name or IP address of the SMTP server.</p> <p>Port: Specifies the port number of the SMTP server.</p> <p>Username: Specifies the login username of the SMTP server.</p> <p>Password: Specifies the login password of the SMTP server.</p> <p>Authentication: Specifies the authentication mode of the SMTP sever. The options are NO_AUTH, SMTP_PLAIN, LOGIN and TLS_TLS.</p>																																																							
<p>Recipient List</p> <table border="1"> <thead> <tr> <th>Enable</th> <th>No</th> <th>Email</th> <th>Alarm</th> <th>Motion</th> </tr> </thead> <tbody> <tr><td><input type="checkbox"/></td><td>1</td><td><input type="text"/></td><td><input type="checkbox"/></td><td><input type="checkbox"/></td></tr> <tr><td><input type="checkbox"/></td><td>2</td><td><input type="text"/></td><td><input type="checkbox"/></td><td><input type="checkbox"/></td></tr> <tr><td><input type="checkbox"/></td><td>3</td><td><input type="text"/></td><td><input type="checkbox"/></td><td><input type="checkbox"/></td></tr> <tr><td><input type="checkbox"/></td><td>4</td><td><input type="text"/></td><td><input type="checkbox"/></td><td><input type="checkbox"/></td></tr> <tr><td><input type="checkbox"/></td><td>5</td><td><input type="text"/></td><td><input type="checkbox"/></td><td><input type="checkbox"/></td></tr> <tr><td><input type="checkbox"/></td><td>6</td><td><input type="text"/></td><td><input type="checkbox"/></td><td><input type="checkbox"/></td></tr> <tr><td><input type="checkbox"/></td><td>7</td><td><input type="text"/></td><td><input type="checkbox"/></td><td><input type="checkbox"/></td></tr> <tr><td><input type="checkbox"/></td><td>8</td><td><input type="text"/></td><td><input type="checkbox"/></td><td><input type="checkbox"/></td></tr> <tr><td><input type="checkbox"/></td><td>9</td><td><input type="text"/></td><td><input type="checkbox"/></td><td><input type="checkbox"/></td></tr> <tr><td><input type="checkbox"/></td><td>10</td><td><input type="text"/></td><td><input type="checkbox"/></td><td><input type="checkbox"/></td></tr> </tbody> </table>	Enable	No	Email	Alarm	Motion	<input type="checkbox"/>	1	<input type="text"/>	<input type="checkbox"/>	<input type="checkbox"/>	<input type="checkbox"/>	2	<input type="text"/>	<input type="checkbox"/>	<input type="checkbox"/>	<input type="checkbox"/>	3	<input type="text"/>	<input type="checkbox"/>	<input type="checkbox"/>	<input type="checkbox"/>	4	<input type="text"/>	<input type="checkbox"/>	<input type="checkbox"/>	<input type="checkbox"/>	5	<input type="text"/>	<input type="checkbox"/>	<input type="checkbox"/>	<input type="checkbox"/>	6	<input type="text"/>	<input type="checkbox"/>	<input type="checkbox"/>	<input type="checkbox"/>	7	<input type="text"/>	<input type="checkbox"/>	<input type="checkbox"/>	<input type="checkbox"/>	8	<input type="text"/>	<input type="checkbox"/>	<input type="checkbox"/>	<input type="checkbox"/>	9	<input type="text"/>	<input type="checkbox"/>	<input type="checkbox"/>	<input type="checkbox"/>	10	<input type="text"/>	<input type="checkbox"/>	<input type="checkbox"/>	<p>Recipient List</p>	<p>Specifies the email addresses to send the email notification when selected events are triggered by Alarm, Motion, or Tamper. A maximum of 10 email addresses can be configured.</p>
Enable	No	Email	Alarm	Motion																																																					
<input type="checkbox"/>	1	<input type="text"/>	<input type="checkbox"/>	<input type="checkbox"/>																																																					
<input type="checkbox"/>	2	<input type="text"/>	<input type="checkbox"/>	<input type="checkbox"/>																																																					
<input type="checkbox"/>	3	<input type="text"/>	<input type="checkbox"/>	<input type="checkbox"/>																																																					
<input type="checkbox"/>	4	<input type="text"/>	<input type="checkbox"/>	<input type="checkbox"/>																																																					
<input type="checkbox"/>	5	<input type="text"/>	<input type="checkbox"/>	<input type="checkbox"/>																																																					
<input type="checkbox"/>	6	<input type="text"/>	<input type="checkbox"/>	<input type="checkbox"/>																																																					
<input type="checkbox"/>	7	<input type="text"/>	<input type="checkbox"/>	<input type="checkbox"/>																																																					
<input type="checkbox"/>	8	<input type="text"/>	<input type="checkbox"/>	<input type="checkbox"/>																																																					
<input type="checkbox"/>	9	<input type="text"/>	<input type="checkbox"/>	<input type="checkbox"/>																																																					
<input type="checkbox"/>	10	<input type="text"/>	<input type="checkbox"/>	<input type="checkbox"/>																																																					
<p>Network Storage Handler</p> <p><input type="checkbox"/> Enable Trigger Event</p> <ul style="list-style-type: none"> <input type="radio"/> Trigger Alarm Detection <input type="radio"/> Trigger Motion Detection <input type="radio"/> Trigger Tampering Alarm <input type="radio"/> Trigger Scheduled 	<p>Network Storage Handler</p>	<p>Enables and selects a desired trigger source. The options are Trigger Alarm Detection, Trigger Motion Detection, Trigger Tampering Alarm, and Trigger Scheduled.</p>																																																							
<p>Recipient Setup</p> <p>Network Storage Status : not_mounted</p> <p>Network Address : <input type="text"/></p> <p>Folder Name : <input type="text"/></p> <p>Record Type : <input type="text" value="Video"/> ▼</p>	<p>Recipient Setup Network Storage Status Network Address Folder Name Record Type</p>	<p>Network Storage Status: Displays the current status of the connection with the network storage server. (Status will display “Not Mounted” or “OK”)</p> <p>Network Address: Specifies the IP address of the network storage server.</p> <p>Folder Name: Specifies the folder name on the network storage server.</p> <p>Recording Type: Specifies the desired action when an event is triggered. The options are Snapshot and Video.</p>																																																							
<p>Login Certificate</p> <p>Username : <input type="text"/></p> <p>Password : <input type="text"/></p>	<p>Login Certificate</p>	<p>Specifies the login Username and Password for the network storage sever.</p>																																																							

<p>Mount and Remove Network Storage</p> <p>Mount</p>	<p>Mount and Remove Network Storage</p>	<p>Mount: Sets up a network connection with the network storage server. All the video recordings or snapshots from event triggers will be uploaded to the network storage server. After the setting is complete, the Network Storage Status field will display "ok."</p> <p>Remove: Deletes the previous setting. After the setting is removed, the Network Storage Status field will display "not mounted."</p>
--	---	--

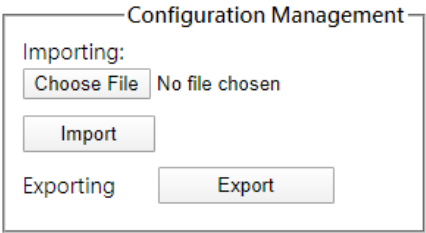
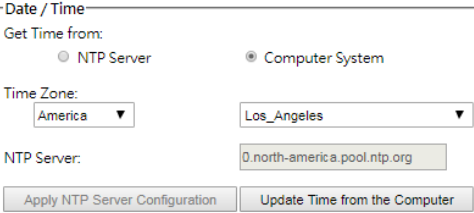
System



AV10956DN
Firmware: 65431
MAC: 00-1a-07-1a-a2-67

Focus Image Video & Audio Network Privacy Mask Event **System** Administration Support

Menu	Feature	Description
<p>Camera information</p> <p>Model Name <input type="text" value="AV10956DN"/></p> <p>Firmware <input type="text" value="65431"/></p> <p>MAC Address <input type="text" value="00-1a-07-1a-a2-67"/></p> <p>Serial Number <input type="text" value="TSCB71005872"/></p>	Camera information	Displays the information of the camera: Model Name, Firmware, MAC Address, and Serial Number.
<p>Camera Name</p> <p><input type="text" value="AV10956DN"/></p> <p><input type="button" value="Save"/></p>	Camera Name	Specifies a name for the camera. The maximum name length is 32 characters.
<p>Firmware Upgrade</p> <p>Please select a file to update:</p> <p><input type="button" value="Choose File"/> No file chosen</p> <p><input type="button" value="Upgrade"/></p>	Firmware Upgrade	Click "Choose File" to choose the firmware upgrade file, and then click Upgrade.
<p>Download Log</p> <p><input type="button" value="Download"/></p>	Download Log	Records all the status information of the camera in list format. Downloads the log file to the computer as a text file.
<p><input type="button" value="Reboot the Camera"/></p> <p><input type="button" value="Restore to Factory Default Settings Except Network Settings"/></p> <p><input type="button" value="Restore to Factory Default Settings"/></p>	<p>Reboot the Camera</p> <p>Restore Factory Default Settings Except Network Settings</p> <p>Restore to Factory Default Settings</p>	<p>Reboot the Camera: Reboots the camera.</p> <p>Restore Factory Default Settings Except Network Settings: Restores all settings to factory default except the network settings.</p> <p>Restore to Factory Default Settings: Restores all settings to factory default.</p>

 <p>Configuration Management</p> <p>Importing: <input type="button" value="Choose File"/> No file chosen <input type="button" value="Import"/></p> <p>Exporting: <input type="button" value="Export"/></p>	<p>Configuration Management</p>	<p>Records all the configuration information of the camera except network settings. Import: Imports a Configuration file from other cameras. Export: Exports a Configuration file from this camera.</p>
 <p>Date / Time</p> <p>Get Time from: <input type="radio"/> NTP Server <input checked="" type="radio"/> Computer System</p> <p>Time Zone: <input type="text" value="America"/> <input type="text" value="Los_Angeles"/></p> <p>NTP Server: <input type="text" value="0.north-america.pool.ntp.org"/></p> <p><input type="button" value="Apply NTP Server Configuration"/> <input type="button" value="Update Time from the Computer"/></p>	<p>Date/Time Get Time from NTP Server Computer System</p>	<p>NTP Server: Synchronizes the date/time information with defined NTP server. After setting up the desired Time zone and NTP Server, click “Apply NTP Server Configuration.”</p> <p>NOTE: Please make sure to set up appropriate gateway before configuring the NTP server.</p> <p>Computer System: Synchronizes the date/time information with current computer’s date/time. Once this option is selected, click “Update Time from the computer.”</p>
	<p>Time Zone</p>	<p>Specifies the country / city of the time zone from the drop-down menu.</p>
	<p>NTP Server</p>	<p>Specifies the desired NTP server</p>

Administration



AV10956DN
Firmware: 65431
MAC: 00-1a-07-1a-a2-67

- Focus
- Image
- Video & Audio
- Network
- Privacy Mask
- Event
- System
- Administration
- Support

Menu	Feature	Description
<div style="border: 1px solid #ccc; padding: 5px;"> <p>Administrator</p> <p>Username admin</p> <p>Admin Password <input style="width: 80%;" type="password"/></p> <p>Confirmation <input style="width: 80%;" type="password"/></p> <p style="text-align: center;"> <input type="button" value="Set"/> <input type="button" value="Erase"/> </p> </div>	<p>Access Control</p> <p>Administrator</p> <p>Username</p> <p>Admin Password</p> <p>Confirmation</p> <p>Set/ Erase</p>	<p>Passwords can be up to 16 letters, digits and symbols, excluding the following symbols for passwords without encoding # % & ' " < > / [] { } _ () = . + ,</p> <p>Username: The username of Administrator is admin and cannot be changed.</p> <p>Admin: includes full access to all camera settings and live video.</p> <p>Admin Password: Specifies the password for the administrator.</p> <p>Confirmation: Re-enters the password for the password validation.</p> <p>Set / Erase: Saves or removes the password.</p> <p>NOTE: If admin password was set but has been lost, it can be erased by AV Costar Utility using the key file. Please contact AV Costar™ technical support to obtain the key file required to perform this function. Or, if the camera has a reset button, you can also reset it to Factory default to remove the password.</p>
<div style="border: 1px solid #ccc; padding: 5px;"> <p>Viewer Management</p> <p>User List : <input style="width: 80%;" type="text"/></p> <p style="text-align: center;"> <input type="button" value="Add"/> <input type="button" value="Delete"/> </p> <p>User Information</p> <p>User Viewer Name <input style="width: 80%;" type="text"/></p> <p>User Viewer password <input style="width: 80%;" type="password"/></p> <p>Confirmation <input style="width: 80%;" type="password"/></p> <p>Access Level <input type="radio"/> Admin <input type="radio"/> Viewer </p> <p style="text-align: center;"> <input type="button" value="Set"/> <input type="button" value="Erase"/> </p> </div>	<p>Viewer Management</p> <p>User List</p> <p>User Viewer Name</p> <p>User Viewer Password</p> <p>Confirmation</p> <p>Access Level</p> <p>Set/ Erase</p>	<p>User List: Displays current user accounts created on the camera. Clicks New User/ Delete User to create or remove a user account.</p> <p>User Viewer Name: Specifies the user name. It must be at least five and up to sixteen characters.</p> <p>User Viewer Password: Specifies the password for the viewer.</p> <p>Confirmation: Re-enters the password for the password validation.</p> <p>Access Level: Defines the authorization level for the user: Admin or Viewer.</p> <p>Set/ Erase: Save or removes the password.</p>

Support



AV10956DN
 Firmware: 65431
 MAC: 00-1a-07-1a-a2-67

- Focus
- Image
- Video & Audio
- Network
- Privacy Mask
- Event
- System
- Administration
- Support**

Menu	Feature	Description
<p>Support</p> <ul style="list-style-type: none"> • Resources • Online Support Request • Firmware Downloads • Software Downloads • Technical Updates • Product Selector • Downloads 	<p>Support</p>	<p>Provides several hyperlinks to get more information on the camera.</p>



© 2023 AV Costar™

All rights reserved. No part of this publication may be reproduced by any means without written permission from AV Costar.

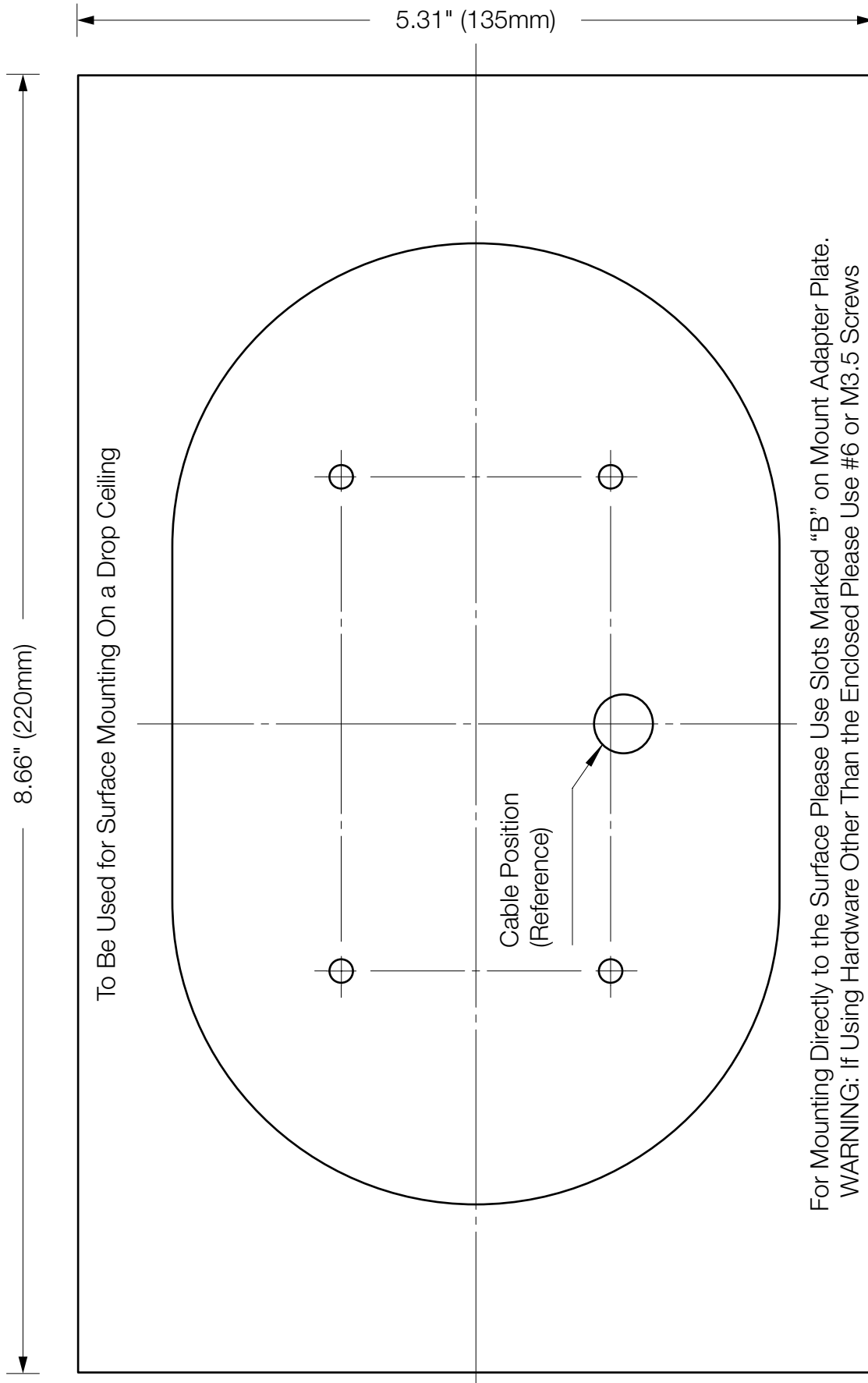
The information in this publication is believed to be accurate in all respects. However, AV Costar cannot assume responsibility for any consequences resulting from the use thereof.

The information contained herein is subject to change without notice. Revisions or new editions to this publication may be issued to incorporate such changes.

+1.818.937.0700 | www.avcostar.com | avsales@arecontvision.com

Rev 002.002

ConteralP® MicroDome® Duo LX Surface Mount Template



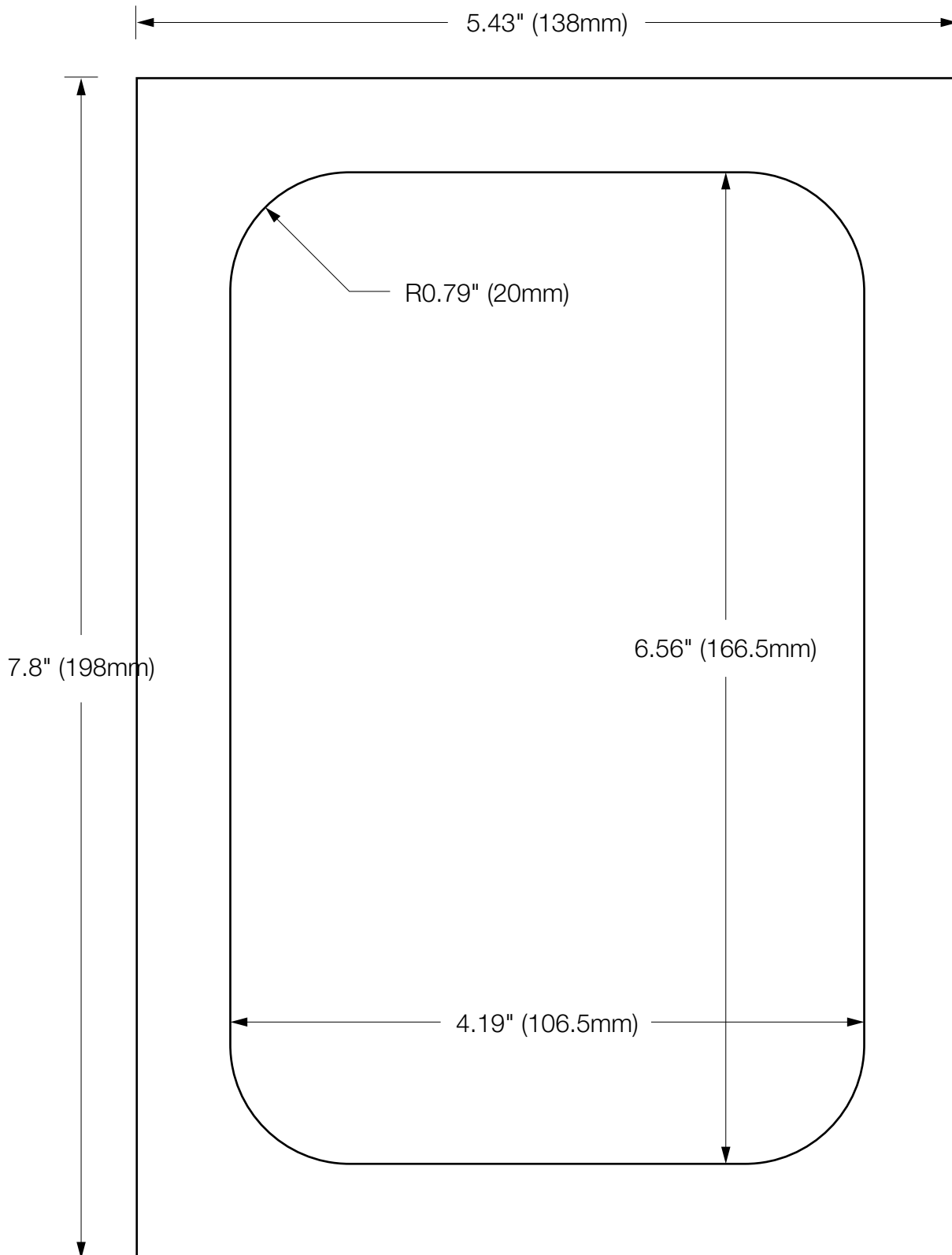
Need Assistance?

Get the configuration utility, installation manuals, and more information on this product at the AV Costar website.



avcostar.com/downloads
For further help, call +1.818.937.0700

MDD-FMA Flush Mount Adapter Mounting Template



Need Assistance?

Get the configuration utility, installation manuals, and more information on this product at the AV Costar website.



avcostar.com/downloads
For further help, call +1.818.937.0700