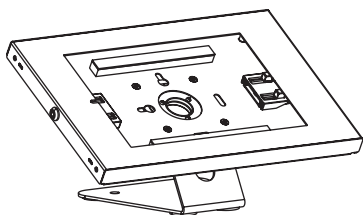


Installation Instructions



Tablet Mount for 9.7 to 11" tablets

Model: DMTB911

Este manual está disponible en español en la página de Tripp Lite: tripplite.com

Ce manuel est disponible en français sur le site Web de Tripp Lite : tripplite.com

Русскоязычная версия настоящего руководства представлена на веб-сайте
компании Tripp Lite по адресу: tripplite.com

Dieses Handbuch ist in deutscher Sprache auf der Tripp Lite-Website verfügbar:
tripplite.com

WARRANTY REGISTRATION

Register your product today and be
automatically entered to win an ISOBAR®
surge protector in our monthly drawing!

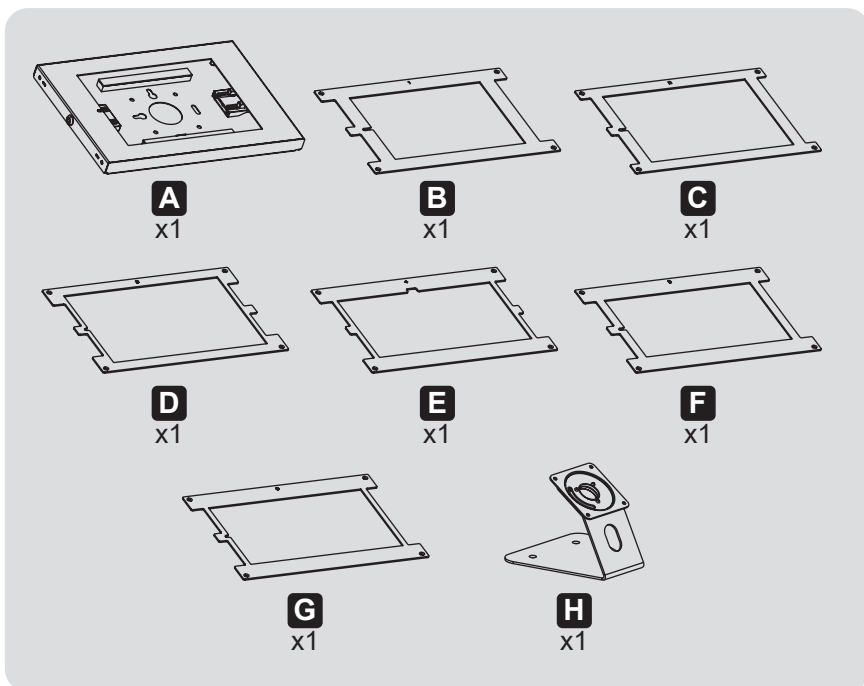
tripplite.com/warranty



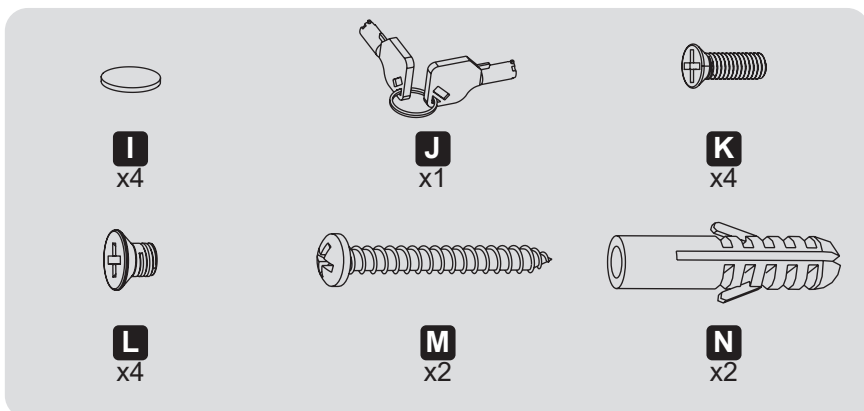
1111 W. 35th Street, Chicago, IL 60609 USA • tripplite.com/support

Copyright © 2022 Tripp Lite. All rights reserved.

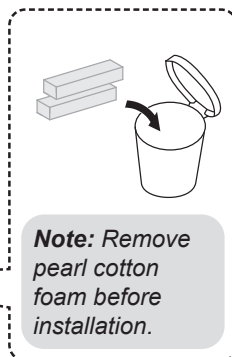
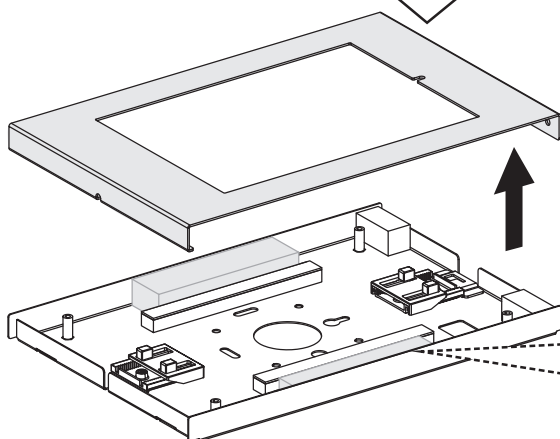
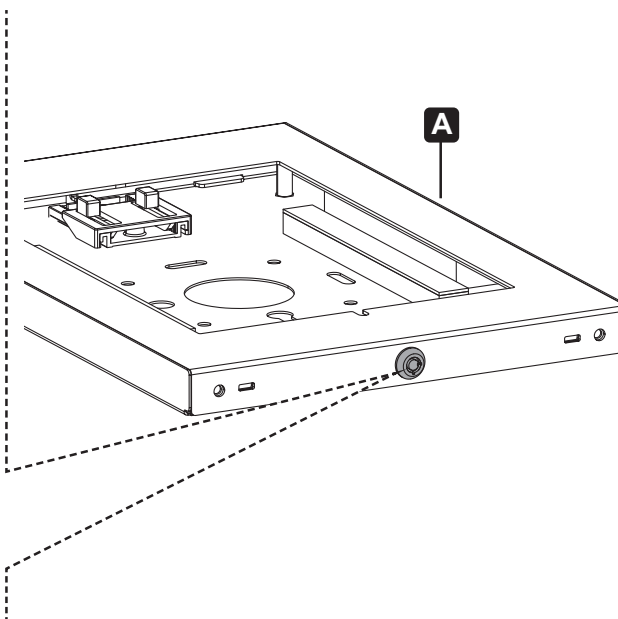
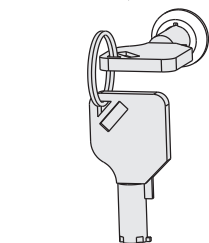
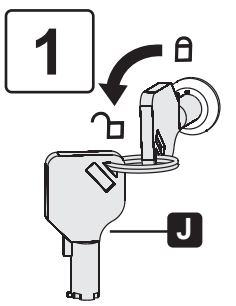
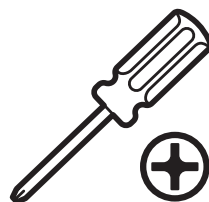
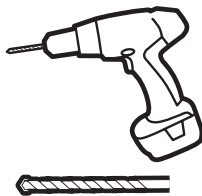
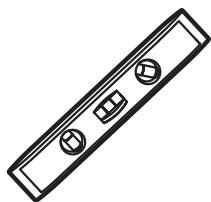
Component Checklist



Package P

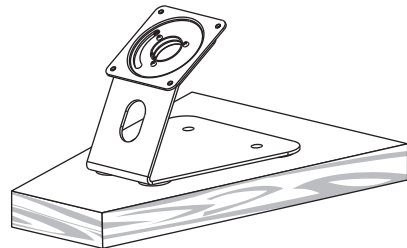
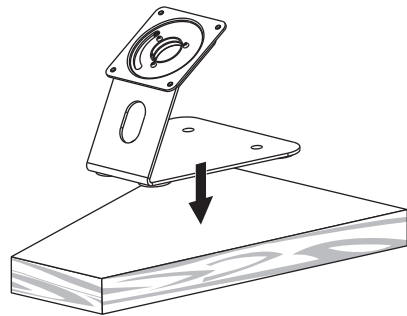
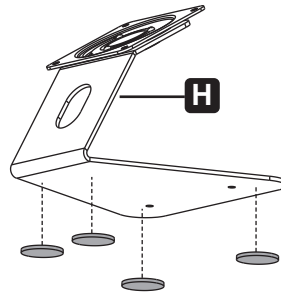
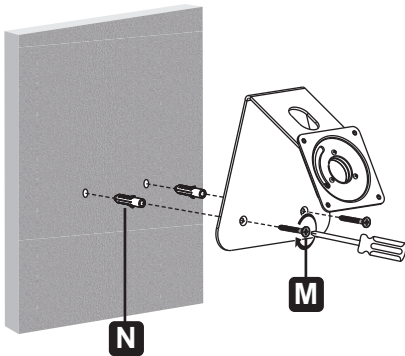
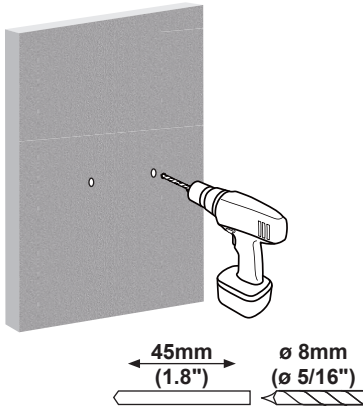
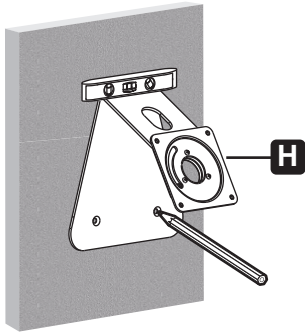
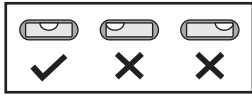


Installation



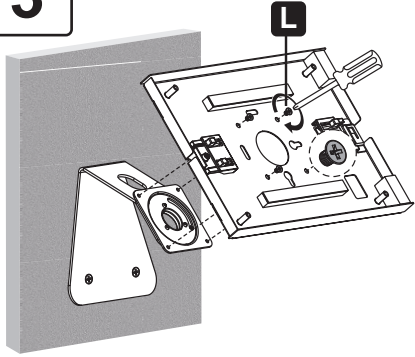
Installation

2

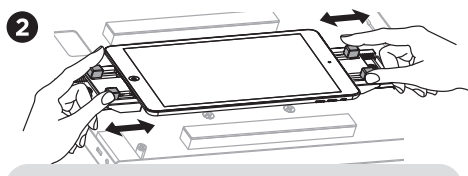
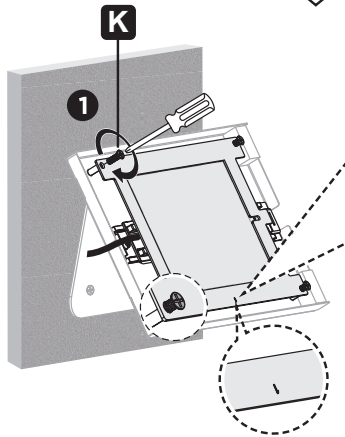
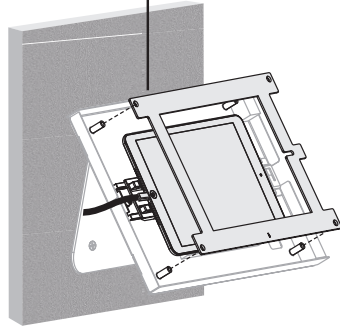


Installation

3

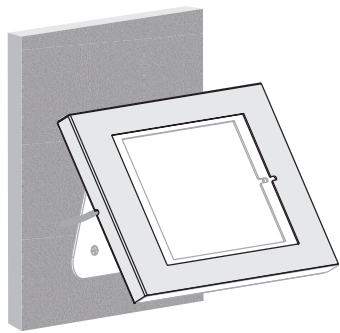
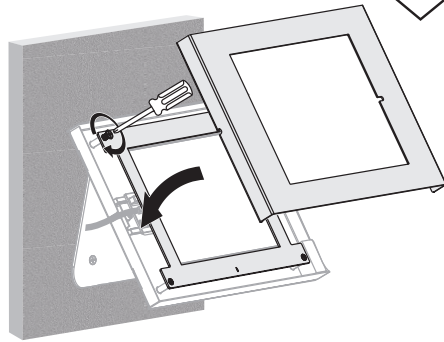


BCDEFG

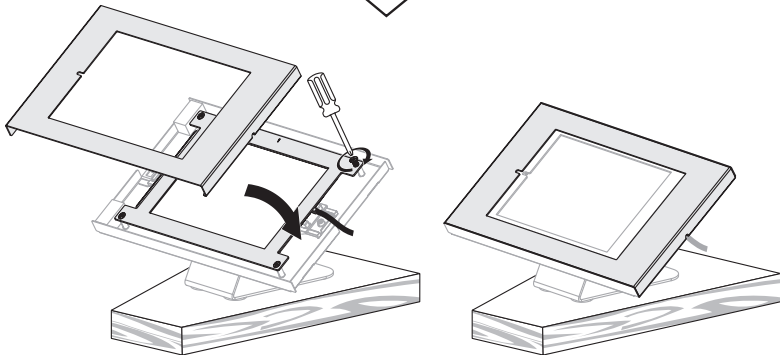
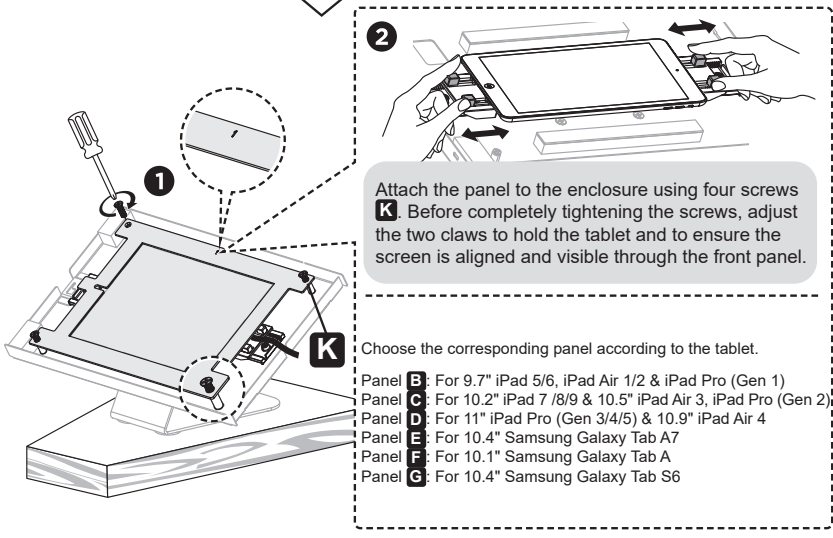
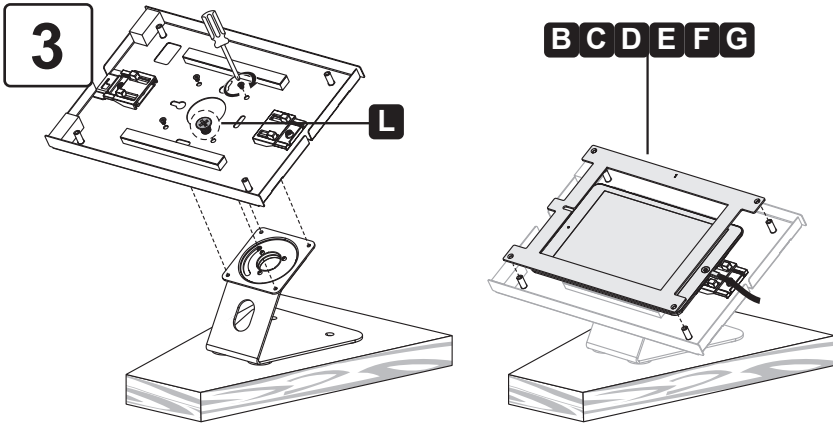


Attach the panel to the enclosure using four screws **K**. Before completely tightening the screws, adjust the two claws to hold the tablet and to ensure the screen is aligned and visible through the front panel.

- Choose the corresponding panel according to the tablet.
- Panel **B**: For 9.7" iPad 5/6, iPad Air 1/2 & iPad Pro (Gen 1)
 - Panel **C**: For 10.2" iPad 7 /8/9 & 10.5" iPad Air 3, iPad Pro (Gen 2)
 - Panel **D**: For 11" iPad Pro (Gen 3/4/5) & 10.9" iPad Air 4
 - Panel **E**: For 10.4" Samsung Galaxy Tab A7
 - Panel **F**: For 10.1" Samsung Galaxy Tab A
 - Panel **G**: For 10.4" Samsung Galaxy Tab S6



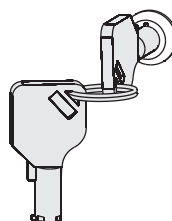
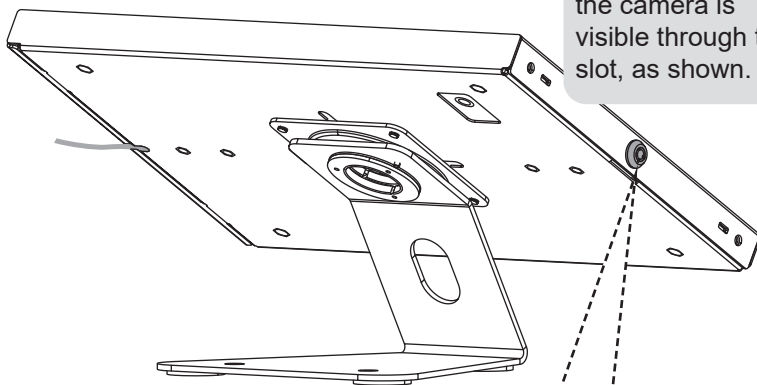
Installation



Installation

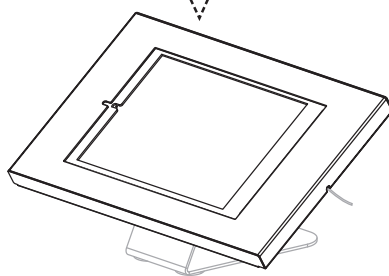
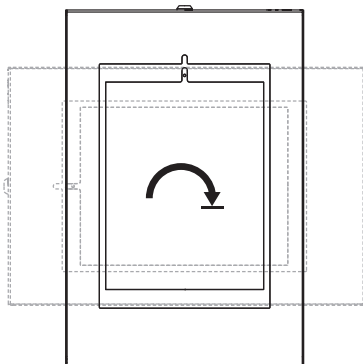
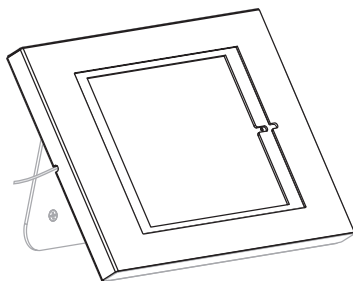
4

Before locking the enclosure, confirm the camera is visible through the slot, as shown.



Installation

5



1111 W. 35th Street, Chicago, IL 60609 USA • tripplite.com/support