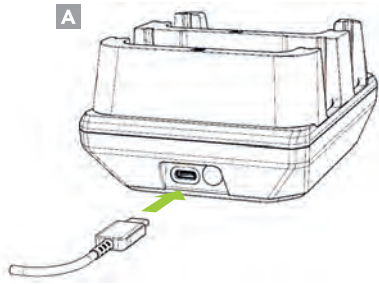


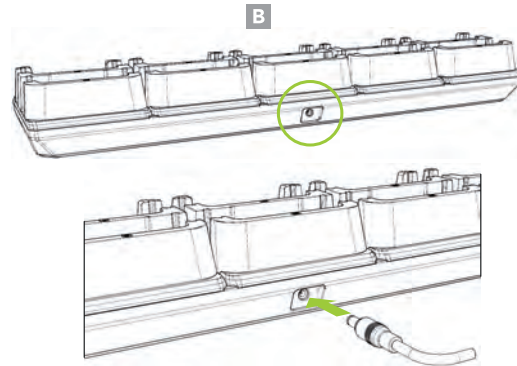
2-Slot Charging via USB Type-C

Charge the device using Samsung 25W PD Charger. (A)



10-Slot Charging via DC Connector

Charge device(s) using the 12V/10A DC power adapter. (B)



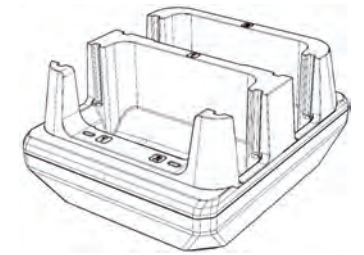
KOAMTAC 2SCC/10SCC Base
Charging Cradle Mini Guide

Additional Accessories

- ▶ SKX™ SmartSled®
- ▶ 0.5W UHF Reader Companion
- ▶ 1.0W UHF Reader Companion
- ▶ 2000mAh Extended Battery Companion
- ▶ SLED-mPOS/SLED-MSRIC Companion
- ▶ Pistol Grip Companion (battery optional)



116 Village Blvd, Ste 305, Princeton, NJ 08540
+1 609-256-4700 p | +1 609-228-4373 f
info@koamtac.com | www.koamtac.com



* All pictures shown are for illustration purpose only.
Actual product may vary.

Device Spacer Configuration



XC6P-BASIC Spacer
For XCover6 Pro



XC6P-SC Spacer
For XCover6 Pro
with Samsung Case



XC6P-SC-EXTBAT Spacer
For XCover6 Pro with Samsung
Case + Samsung Case Extended
Battery Pack



SKX6P-BOOT Spacer
For SKX6Pro
with Protective Boot



SKX6P-INSERT Spacer
For SKX6Pro
without Protective Boot

Battery Spacer Configuration



BAT-XC6P Spacer
For XCover6 Pro
Genuine Spare Battery

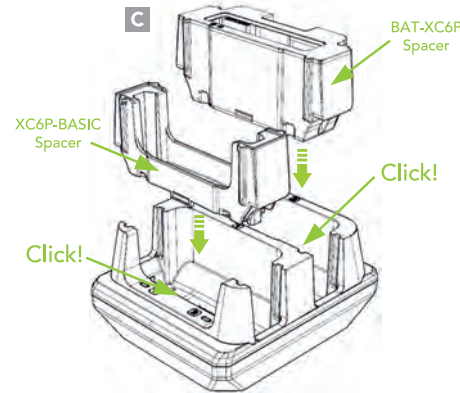


BAT-SKX Spacer
For SKX6Pro
2,000mAh Extended Battery

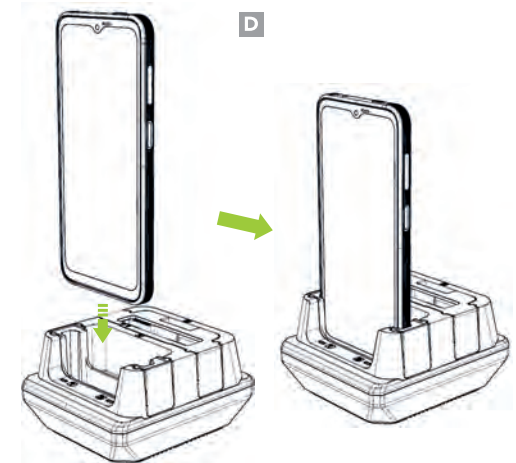
Charging Configuration 1:

1x XCover6 Pro
1x Spare Battery

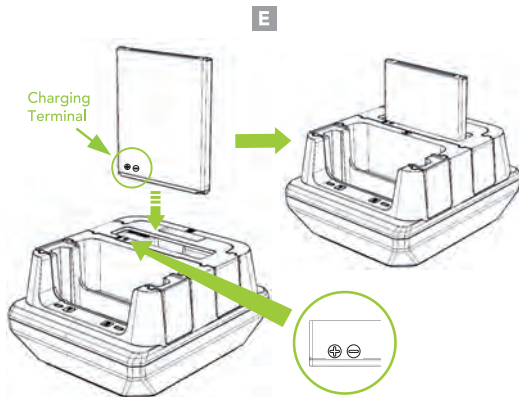
Insert the XC6P-BASIC spacer and the BAT-XC6P spacer until you hear clicks. (C)



Insert XCover6 Pro into XC6P-BASIC spacer. (D)



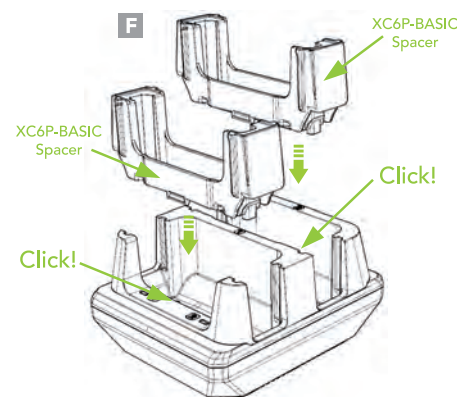
The charging terminal on the XCover6 Pro battery is located on the bottom left of the battery when viewed from the front. Align the left side of the battery with the left side of the BAT-XC6P spacer and insert the battery. (E)



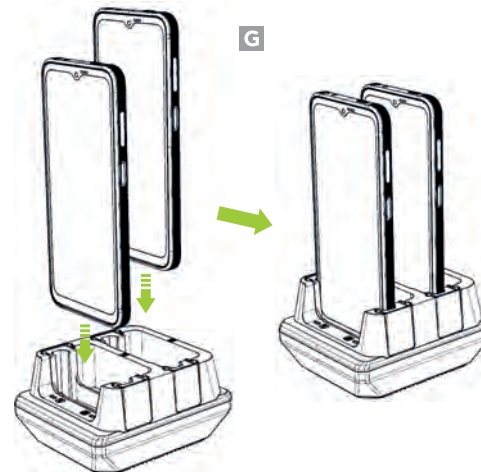
Charging Configuration 2:

2x XCover6 Pro

Insert XC6P-BASIC spacers into the front and rear slots until you hear clicks. (F)



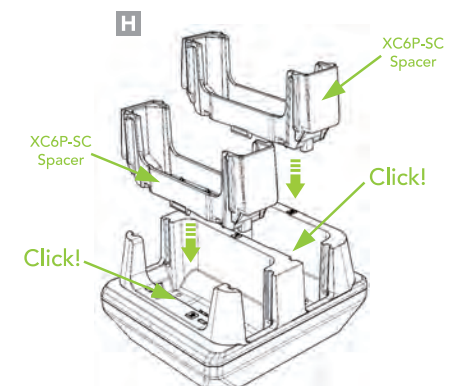
Insert XCover6 Pro into the front and rear XC6P-BASIC spacers. (G)



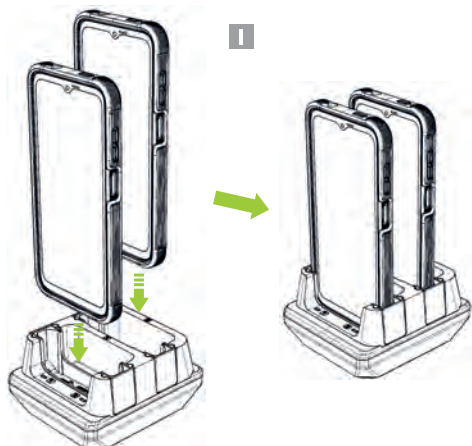
Charging Configuration 3:

1x XCover6 Pro with Samsung Case
1x XCover6 Pro with Samsung Case

Insert the XC6P-SC spacer and the XC6P-SC spacer into the front and rear slots until you hear clicks. (H)



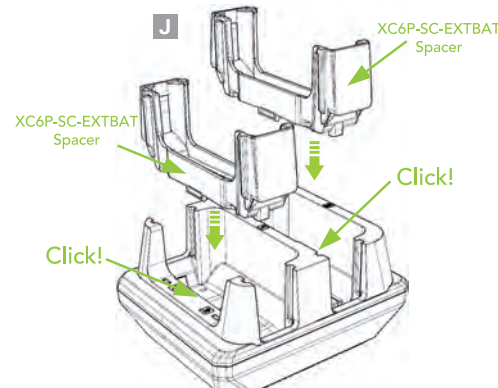
Insert XCover6 Pro with Samsung Case into the front spacer and XCover6 Pro with Samsung Case into the rear spacer. (I)



Charging Configuration 4:

2x XCover6 Pro with Samsung Case and Extended Battery Pack

Insert XC6P-SC-EXTBAT spacers into the front and rear slots until you hear clicks. (J)



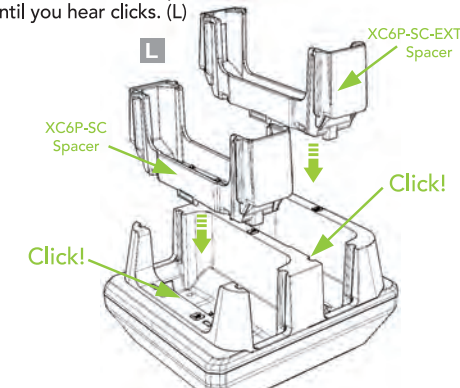
Insert XCover6 Pro with Samsung Case and Extended Battery Packs into the front and rear XC6P-SC-EXTBAT spacers. (K)



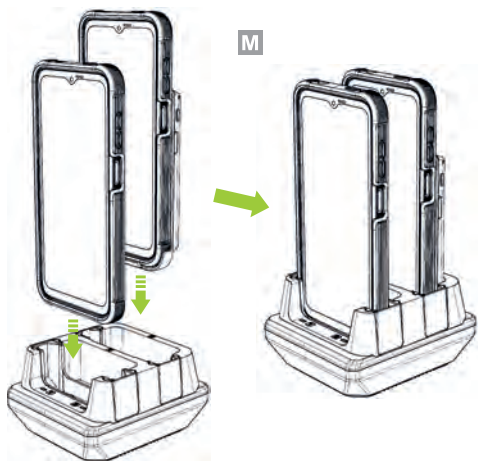
Charging Configuration 5:

1x XCover6 Pro with Samsung Case
1x XCover6 Pro with Samsung Case and Extended Battery Pack

Insert the XC6P-SC spacer and the XC6P-SC-EXTBAT spacer until you hear clicks. (L)

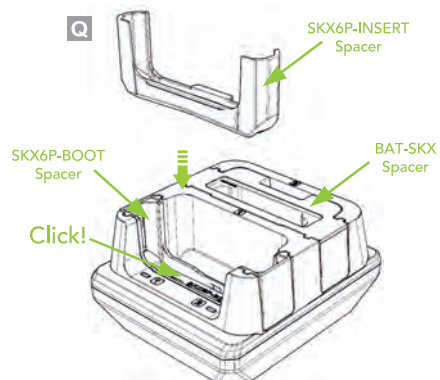


Insert XCover6 Pro with Samsung Case into the front spacer. (M)



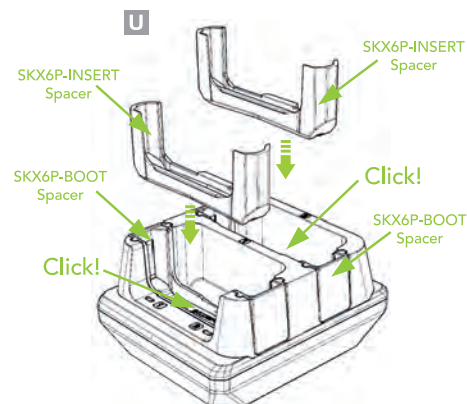
Charging Configuration 6-1:
1x SKX6Pro without Protective Boot
1x 2,000mAh Extended Battery

Insert the SKX6P-INSERT spacer into the SKX6P-BOOT spacer until you hear clicks. (Q)



Charging Configuration 8:
2x SKX6Pro without Protective Boot

Insert SKX6P-INSERT spacers into the front and rear SKX6P-BOOT spacers until you hear clicks. (U)



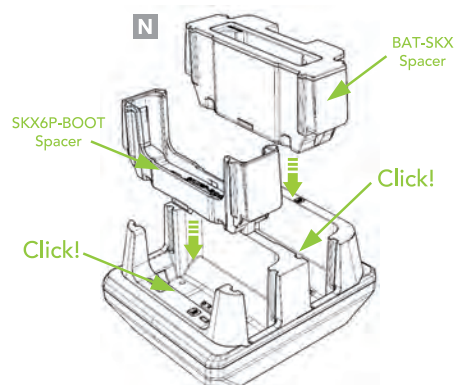
Charging the SKX6Pro/2,000mAh Battery Companion With Hand Strap

Please adjust the hand strap band as shown in the image below. Do not feed the band through the metal buckle. (1)

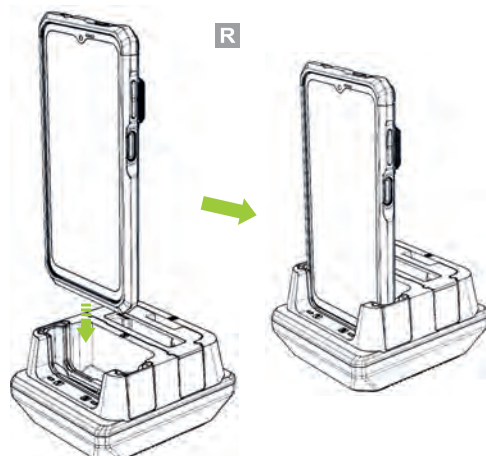


Charging Configuration 6:
1x SKX6Pro with Protective Boot
1x 2,000mAh Extended Battery

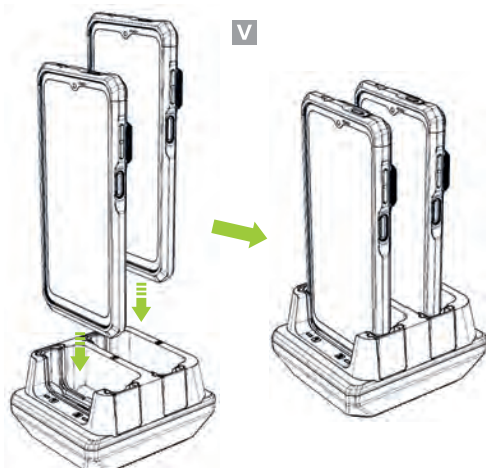
Insert the SKX6P-BOOT spacer and the BAT-SKX spacer until you hear clicks. (N)



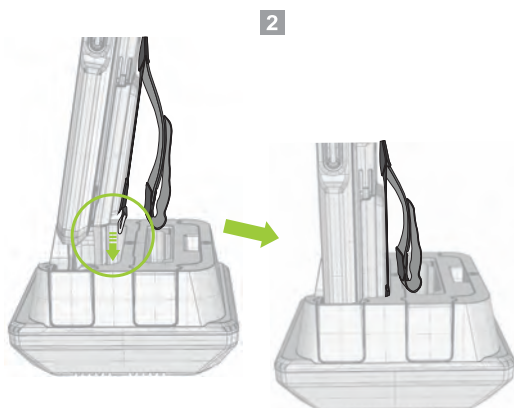
Insert SKX6Pro without Protective Boot into SKX6P-INSERT spacer. (R)



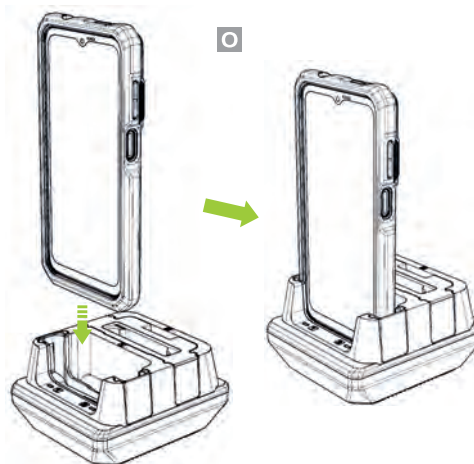
Insert an SKX6Pro without Protective Boot into the front and rear SKX6P-INSERT spacers. (V)



Insert the device with the metal buckle of the hand strap facing down as shown in the image below. (2)

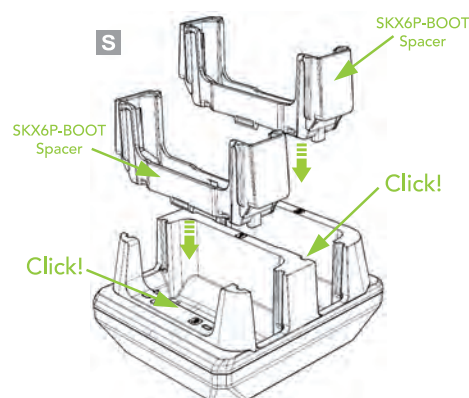


Insert SKX6Pro with Protective Boot into the SKX6P-BOOT spacer. (O)



Charging Configuration 7:
2x SKX6Pro with Protective Boot

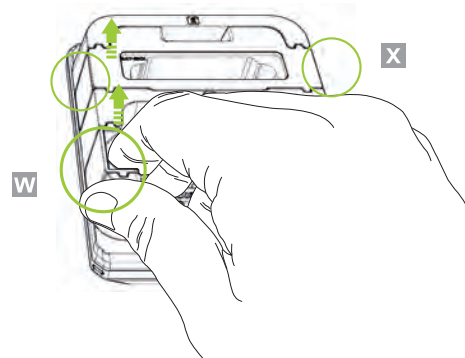
Insert SKX6P-BOOT spacers into the front and rear slots until you hear clicks. (S)



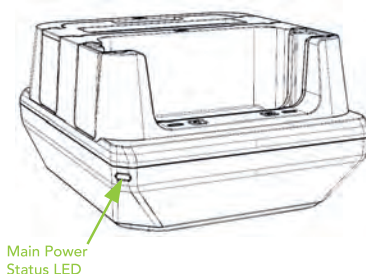
Removing Device Spacers

2-Slot Cradles: Put your finger inside and against the side of the spacer, then lift the spacer out of the cradle. (W)

10-Slot Cradles: Remove the spacer by gripping the spacer on the outsides and lifting it up. (X)

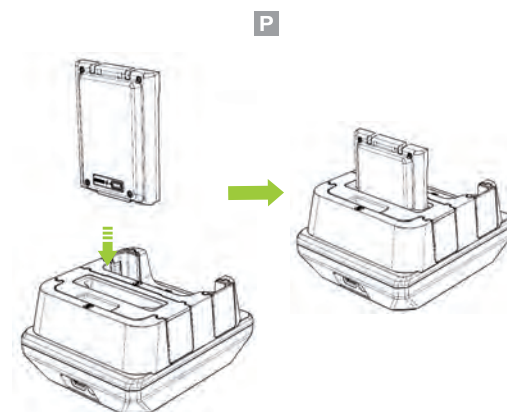


Cradle Power LED Status

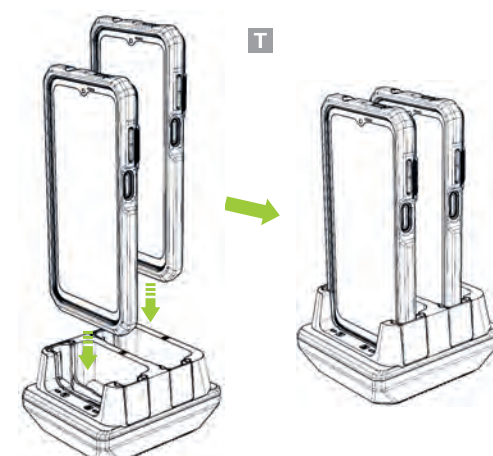


Green : Always on when the cradle is powered on

Insert the 2,000mAh Extended Battery into the extended battery slot on the cradle with the battery's charging LED indicator facing towards the back of the cradle. (P)



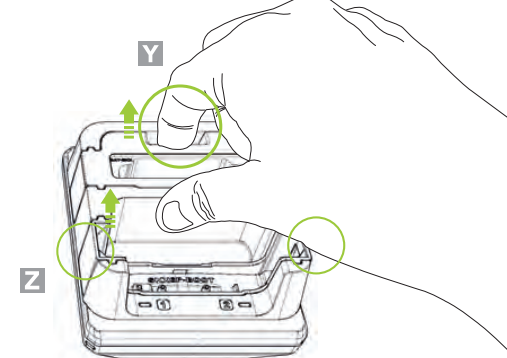
Insert SKX6Pro with Protective Boot into the front and rear SKX6P-BOOT spacers. (T)



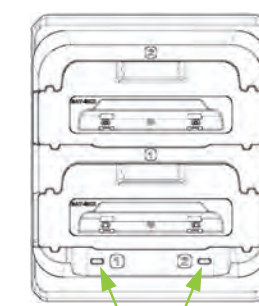
Removing Battery Spacers

2-Slot & 10-Slot Cradles: Remove the spacer by placing your finger in the hole near the back of the battery spacer and lift the spacer out of the cradle. (Y)

2-Slot Cradles: Remove the spacer by gripping the spacer on the outsides and lifting it up. (Z)



Battery LED Status



Green: Fully charged
Orange: Charging
Blinking Red: Charging Issue

Green : Blinks 3 times then stays lit while the cradle is powered on.