



# Dual Gas Spring Monitor Arm Desk Mount with 4K Docking Station & PD User Manual



04-1389B

P/N: CE-MTDK01-S1

## Table of Contents

• Read before installation	3
• Mount Installation	5
• Mount Dimension	11
• Mount Specification	11
• Docking Features	12
• Package contents	13
• System requirements	13
• USB Power Delivery	14
• Right side View	14
• Left side View	15
• Top side View	16
• Front View	17
• Supported Display resolution	18
• DisplayLink Manager installation	18
• Allow “DisplayLink” app on Mac	20
• Enable “Screen Recording”	21
• Automatic startup app	22
• Q & A	23
• Support	24

## Read before installation

Read the entire instruction manual before you start installation and assembly. If you have any question regarding any of the instructions or warnings, please contact us.

## Unpacking

- Carefully remove the contents and lay them out on cardboard or other protective surface
- Check package contents against the parts list to ensure that all components are received undamaged. Do not use damaged or defective parts
- Ensure that you have received all parts according to the component checklist prior to installation. If any parts are missing or faulty, please contact us.

## CAUTION:

Use with products heavier than the rated weights indicate may result in instability causing possible injury.

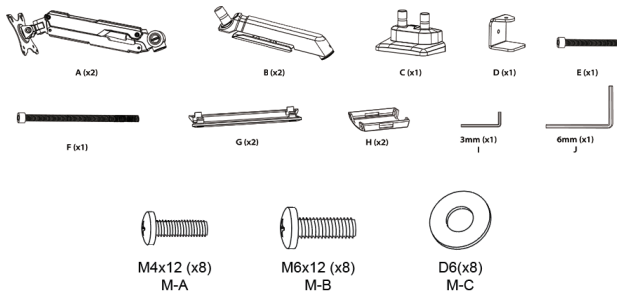
- Mount must be attached as specified in assembly instructions. Improper installation may result in damage or serious personal injury.
- Safety gear and proper tools must be used. This product should only be installed by professionals.

- This product is designed to be installed on wood stud walls, solid concrete walls or brick walls.
- Make sure that the supporting surface will safely support the combined weight of the equipment and all attached hardware and components.
- Use the mounting screws provided and DO NOT OVER TIGHTEN mounting screws
- This product contains small items that could be a choking hazard if swallowed. Keep these items away from children.
- This product is intended for indoor use only. Using this product outdoors could lead to product failure and personal injury.

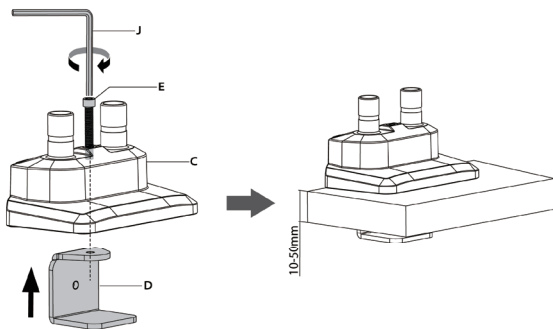
## **MAINTENANCE**

Check that the bracket is secure and safe to use at regular intervals (at least every three months)

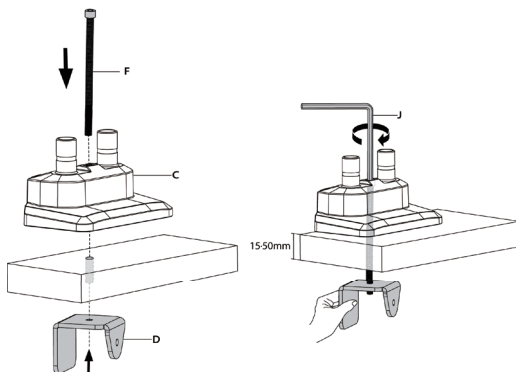
# Mount Installation



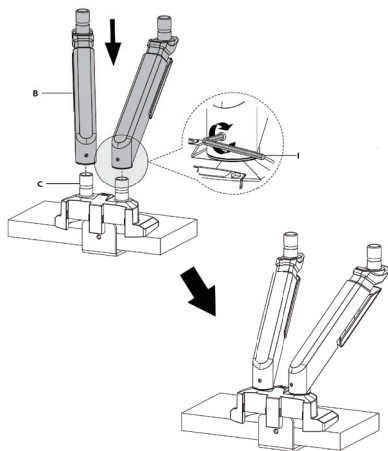
## Step 1a C-Clamp install



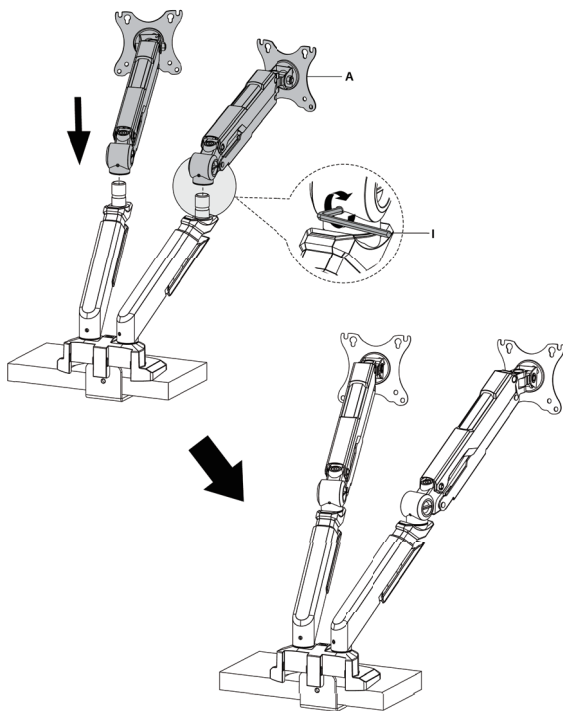
## Step 1b Grommet install



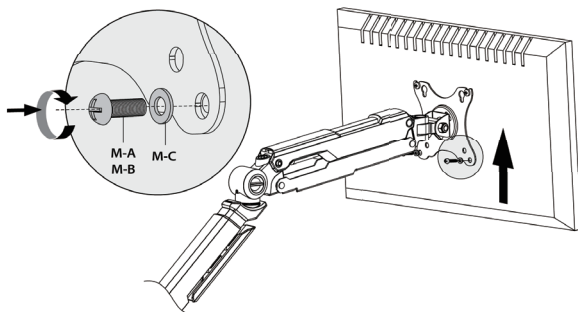
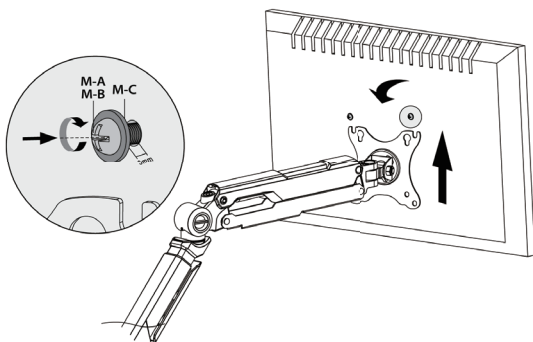
## Step 2



## Step 3

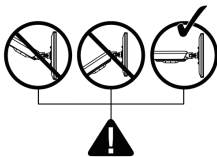
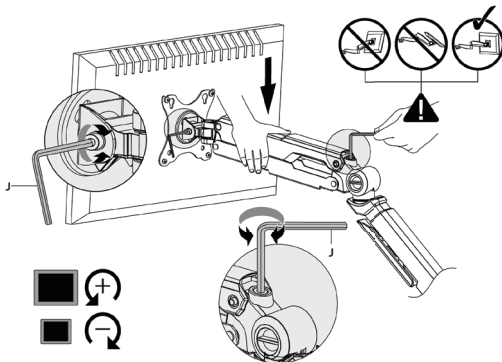


# Step 4







## Step 5



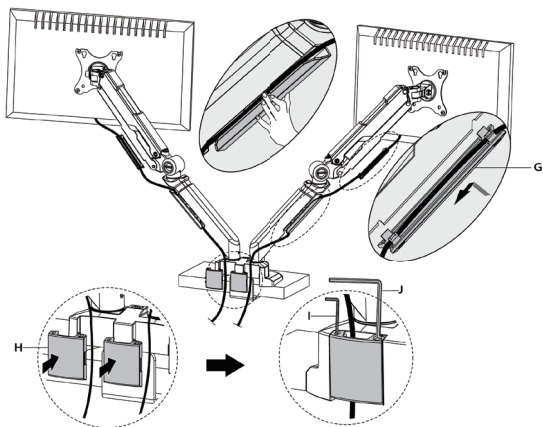
Be sure to keep the arm in horizontal position during adjustment. Or else, it would be difficult to adjust the mount or damage the mount.

Once the monitor is attached to the arm, use the supplied Allen Key and turn in the appropriate direction to increase or decrease tension as necessary.

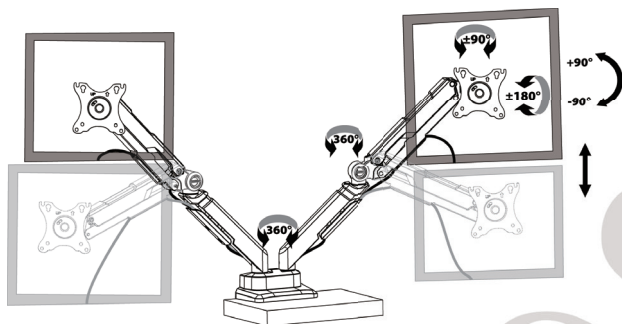
-  Heavier display turns counter-clockwise.
-  Lighter display turns clockwise.

Adjust the tension of the gas spring until the display *holds its position* when you let it go.  
(**Note: DO NOT over tighten screw.**)

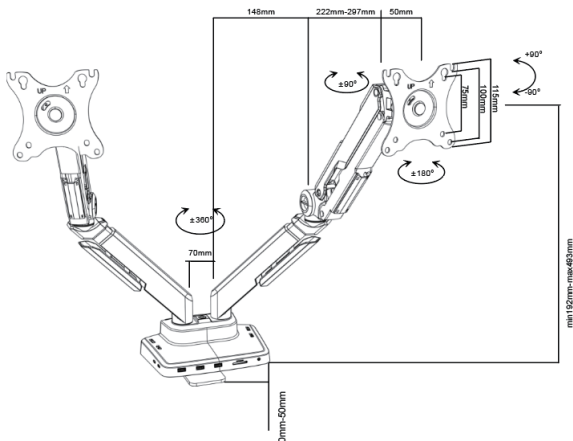
## Step 6



## Step 7



## Mount Dimension



## Mount Specification

Item	Specification
Model	Dual Monitor Arm with Dock
Material	Aluminium alloy (Arm shell+Base), Steel (Arm inside+VESA pattern), Plastic (Cable management)
Load Capacity	2.2-22lbs/arm 1~10kg/arm
Fit Screen Size	Max 32"
VESA Pattern	75x75mm/100x100mm
Screen Tilt	-45° to +90°
Arm Swivel	-180° to +180°
Screen Swivel	-90° to +90°
Screen Rotation	360°
C-Clamp Base	YES

## Docking Features

- Support USB 10G speed connection between host and docking station. (USB 10G host required)
- Support USB 10G speed port x2, Type-A + Type-C
- Support USB 5G speed port x2, Type-A x2
- Support two DisplayLink video output simultaneously
- DisplayLink output support HDMI or DP output.
- DisplayLink video output resolution up to 4K 3840x2160p@60Hz
- DisplayLink video output support PCM 2.0ch and 5.1ch audio
- Support UHS-I SD & TF card reader (can reading simultaneously)
- Support Ethernet 10/100/1000Mbps
- Support 3.5mm Headset jack
- Support USB PD 3.0 charging 100W

## Package contents

- Dual Gas Spring Monitor Arm Desk Mount with 4K Docking Station & PD
- Power adapter DC 24V / 5.41A
- USB Type-C to Type-C cable 100W (20V/5A)
- User Manual

## System requirements

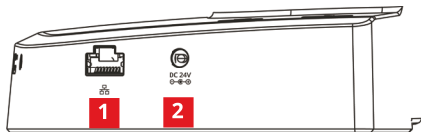
- Host computer system with an available USB Type-C (Thunderbolt 3 compatible) Port which supports USB 10G and Power Delivery
- Windows® 11 / 10 / 8.1 / 8 / 7 (32/64 bit)
- Mac OS X® 10.14, 10.15 to 11.X, 12.X

Operating system requirements are subject to change. For the latest requirements, please visit [www.siig.com](http://www.siig.com) and search CE-MTDK01-S1

## USB Power Delivery

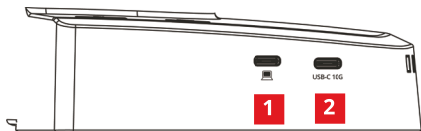
This docking station supports USB Power Delivery, which means it delivers up to 100 watts of power to your connected host laptop (your laptop's USB-C port must support power delivery). USB Power Delivery is a specification that allows power to be sent over a USB-C or Thunderbolt 3 cable that supports the specification. Ensure your USB-C cable can support PD 100W transfer or use the included USB-C cable.

## Right side View



1. **RJ-45 Gigabit Ethernet port**  
connect to ethernet router or switch  
(Support 1000/100/10 Mbps)
2. **Power jack:**  
Connect the Power Adapter to the DC Power Input Port on the Docking Station. DC 24V/5.41A

## Left side View



### 1. **USB-C host:**

Connect to USB-C port which supports DP Alt Mode and Power Delivery.

PD charging 100W

(Please use include USB C to C cable)

Not all USB-C ports support the full functionality of the USB Type-C standard.

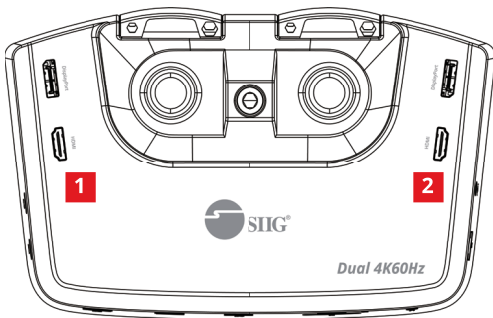
Ensure that your host USB-C port supports all functions

### 2. **USB 10G Type-C port:**

Support USB UASP mode, 10Gbps speed and 5V/1.5A power output.

connect for USB peripherals

## Top side View



### 1. **DisplayLink video output 1**

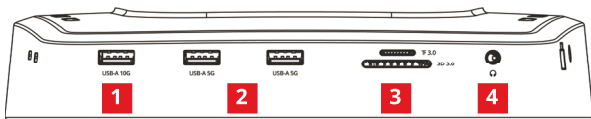
This video output via DisplayLink chip Select DP or HDMI connect to display, they can't output simultaneously.  
Resolution up to 3840x2160p@60Hz

### 2. **DisplayLink video output 2**

This video output via DisplayLink chip Select DP or HDMI connect to display, they can't output simultaneously.  
Resolution up to 3840x2160p@60Hz



## Front View



1. **USB 10G Type-A port:**  
Support USB UASP mode, 10Gbps speed and 5V/0.9A power output.  
connect for USB peripherals
2. **USB 5G Type-A port x2:**  
Support USB UASP mode, 5Gbps speed and 5V/0.9A power output.  
connect for USB peripherals
3. **SD & Micro SD (TF) card reader:**  
SD 3.0 (UHS-I)  
(can reading simultaneously)
4. **3.5mm headset jack:**  
connect to headset  
(include audio and microphone)

## Supported Display resolution

Display Output	DisplayLink Output 1	DisplayLink Output 2
Only 1	4K@60	N/A
Only 2	N/A	4K@60
1 + 2	4K@60	4K@60

## DisplayLink Manager installation

- “DisplayLink Manager” software is required
- Without DisplayLink Manager install, DisplayLink video output 1 & 2 can not output video.
- Please download the “DisplayLink Manager” from SIIG website or DisplayLink website

1. Follow the screen instructions to complete the installation and restart your PC/NB

(For Mac OS® 10.13.3 and the above, the system would display a “System Extension Blocked” warning while driver installing. Please allow “DisplayLink Corp” at Security & Privacy setting. )

2. For DisplayLink configuration, please search & refer to Support document on DisplayLink website  
<https://support.displaylink.com/>

## **Windows**

How to configure DisplayLink displays on Windows

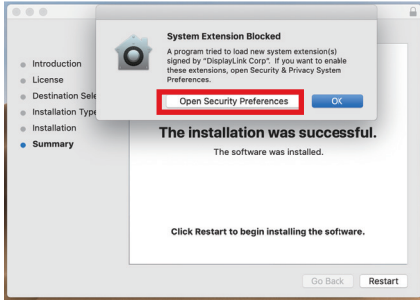
## **MAC**

How to configure DisplayLink displays on Mac OS X

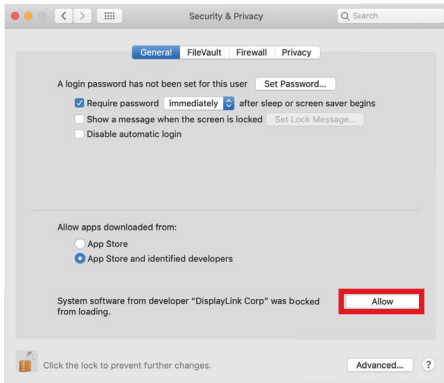
DisplayLink Manager App for macOS  
Introduction, Installation & Scope

# Allow “DisplayLink” app on Mac

Open Security Preference while driver installing

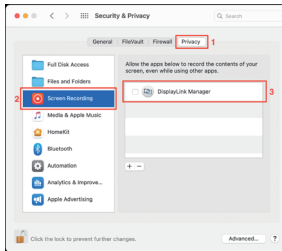


## Allow “DisplayLink Corp” app

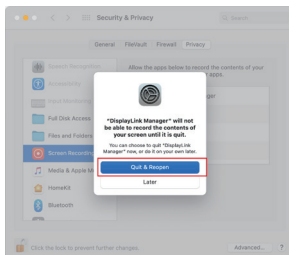


## Enable “Screen Recording”

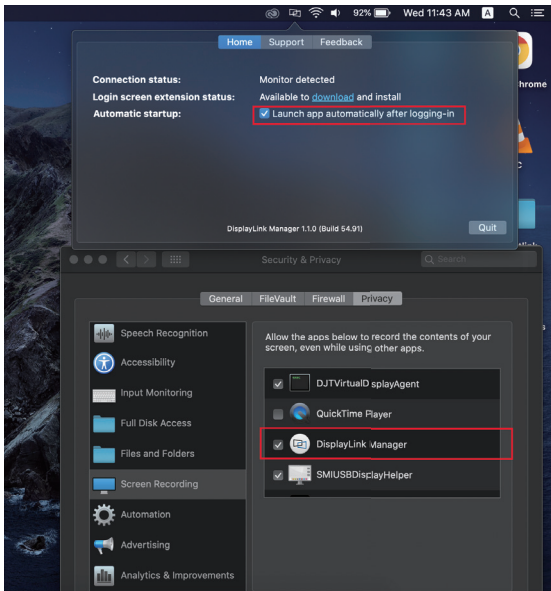
macOS Catalina 10.15 requires the user to permit "Screen Recording" in order for DisplayLink devices to work properly.



- Because the new permission will only be active the next time you start the application, macOS will invite you to “Quit & Reopen”. In Catalina 10.15.x please select “Quit Now”. Please accept.



# Automatic startup app



## Q & A

- **Why my laptop can't get 100W charging?**

It depends on laptop charging spec, not all laptops need 100W input.

- **Why DisplayLink output has no video?**

Ensure the DisplayLink software have installed. Every output has DP or HDMI output, but can only select one output at once.

- **Why play video on DisplayLink output will have latency or cause CPU heavy loading ?**

DisplayLink outputs are kind of USB video extend via DisplayLink chip which needs extra CPU computing. So DisplayLink output will not fit to play video.

Recommend play video on Alt mode output.

**Dear Valued Customer**

**WE REALLY  
APPRECIATE  
YOUR PURCHASE**

***~thank you~***

**Support**

For more info or tech support  
**<http://www.siig.com/support>**