

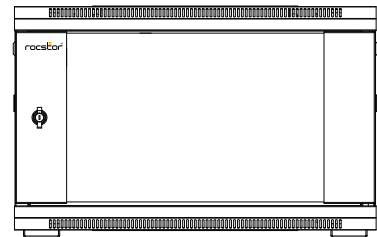
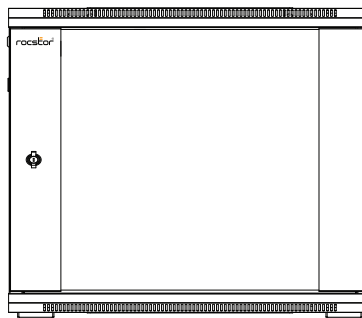
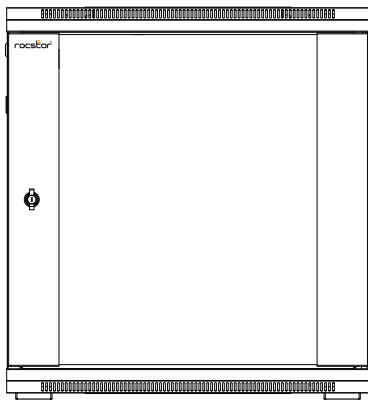


SolidRack Wall Mount Rack Enclosure

**6U Model:** R106SH4G

**9U Model:** R109SH4G

**12U Model:** R112SH4G



## User Manual

Y10E001-B1

Y10E002-B1

Y10E003-B1

# Table of Contents

	<u>Page</u>
<b>Rocstor Legal Disclaimer</b> - - - - -	<b>1</b>
<b>Important Safety Instructions</b> - - - - -	<b>2</b>
<b>Important Safety Information</b> - - - - -	<b>3</b>
<b>Introduction</b> - - - - -	<b>4</b>
<b>Feature Identification</b> - - - - -	<b>4</b>
<b>Hardware and Accessories</b> - - - - -	<b>5</b>
<b>Cage Nut installation</b> - - - - -	<b>5</b>
<b>Enclosure Installation</b> - - - - -	<b>6, 7</b>
<b>Ground The Cabinet</b> - - - - -	<b>8</b>
<b>Enclosure Configuration</b> - - - - -	<b>9, 10, 11</b>
<b>Wall Mounting the Enclosure</b> - - - - -	<b>12</b>
<b>Five-Year Factory Warranty</b> - - - - -	<b>13</b>

# Rocstor Legal Disclaimer

The information presented in this manual is not warranted by Rocstor to be totally authoritative, error free, or complete. This publication is not meant to be a substitute for a detailed operational and a site-specific development plan for the use of the product. Therefore, Rocstor assumes no liability for damages, violations of codes, improper installation, system failures, or any other problems that could arise based on the use of this Manual.

THE WARRANTY AND REMEDIES SET FORTH ABOVE ARE LIMITED IN TIME TO THE DURATION OF THE WARRANTY AS STATED HEREIN AND IS EXCLUSIVE IN LIEU OF ALL OTHER WARRANTIES, LEGAL THEORIES, REMEDIES AND CONDITIONS, WHETHER ORAL OR WRITTEN, EXPRESS OR IMPLIED. IN NO EVENT SHALL ROCSTOR, OR ANY PARENT, AFFILIATE OR SUBSIDIARY COMPANY OF ROCSTOR OR THEIR RESPECTIVE OFFICERS, DIRECTORS, OR EMPLOYEES BE LIABLE FOR ANY DIRECT, INDIRECT, CONSEQUENTIAL, PUNITIVE, SPECIAL, OR INCIDENTAL DAMAGES, INCLUDING, WITHOUT LIMITATION, DAMAGES FOR LOSS OF BUSINESS, CONTRACTS, REVENUE, LOST PROFITS, DATA, INFORMATION, GOODWILL OR BUSINESS INTERRUPTION RESULTING FROM OR ARISING OUT OF THE USE OF THE PRODUCT OR FAILURE TO FOLLOW INSTRUCTIONS IN THE MANUAL.

FURTHERMORE, ROCSTOR SPECIFICALLY DISCLAIMS ANY AND ALL IMPLIED WARRANTIES INCLUDING, WITHOUT LIMITATION, WARRANTIES OF MERCHANTABILITY AND FITNESS FOR A PARTICULAR PURPOSE. IF ROCSTOR CANNOT LAWFULLY DISCLAIM SUCH IMPLIED WARRANTIES, THOSE IMPLIED WARRANTIES WILL BE LIMITED IN DURATION TO THE DURATION SET FORTH ABOVE.

FURTHER STILL, ROCSTOR RESERVES THE RIGHT TO MAKE CHANGES OR UPDATES WITH RESPECT TO THE CONTENT OF THE PUBLICATION OR THE FORMAT THEREOF AT ANY TIME AFTER PURCHASE WITHOUT NOTICE.

Some states and provinces do not allow the exclusion or limitation of incidental or consequential damages or exclusions or limitations on the duration of implied warranties or conditions, so the above limitations or exclusions may not apply to you. This warranty gives you specific legal rights and you may also have other rights that vary by state or province.

Copyright, intellectual, and all other proprietary rights in the content of the manual (including but not limited to software, audio, video, text, and photographs) rests with Rocstor or its licensor. All rights in the content are the property of Rocstor and are not granted, licensed, assigned or otherwise passed to the purchaser of the product or to persons having access to the information in the manual

# Important Safety Instructions

## **WARNING**

**Please follow the essential and important instructions in this manual. The information provides you useful instructions for installation and customization of the rack or equipment.**

- Wear appropriate personal protective equipment (PPE) when installing or configuring the cabinet.
- Keep the enclosure away from moisture, high and low temperature extremes, flammable liquids and gases, conductive contaminants, dust and direct sunlight. And in a controlled indoor environment.
- The enclosure needs to be installed or be placed in order to have an adequate space at the front and rear of the enclosure for proper ventilation.
- It is important not to block, cover or insert objects into the enclosure that will block ventilation openings in all sides including front and top of the enclosure.
- The content of this packaging is easily tipped. Please be extra careful and use extreme caution
- When moving or unpacking this cabinet. Two people are preferred and are required to move and
- unpack the cabinet.
- Use a mechanical device such as a forklift or pallet jack to move the enclosure.
- No object should be placed on the enclosure, such as containers of liquid.
- Do not attempt to stack the enclosures due to excessive weight.
- This enclosure should be installed in a structurally sound area that can handle the load and the weight of the cabinet.
- If you place the cabinet on a level floor, make sure the floor is able to bear the weight of the enclosure, all equipment that will be installed in the enclosure.
- For permanent wall mount installation, make sure to securely fasten the enclosure to the building structure.

# Important Safety Information

Please review and read the instructions very carefully in order to understand the specification of the equipment. This is essential information before installing, operating, service or maintaining your equipment. These messages or alerts may appear throughout this publication and manual for your purchased equipment. The messages are designed to warn you of possible hazards or to bring to your attention the information that would assist and clarifies steps and procedures.



This symbol and label provides Danger or Warning safety which indicates an electrical hazard exists. If instructions are not fully followed, it may result in personal injury.



This is a safety alert symbol. It is used to alert you to potential personal injury hazards. Please follow the instructions very carefully and obey all safety messages that follow this symbol to avoid possible injury or death.

## **DANGER**

**DANGER** This symbol represents an imminently hazardous situation which, if not avoided, will result in death or serious injury. Please follow instructions carefully.

## **WARNING**

**WARNING** This symbol represents a potentially hazardous situation which, if not avoided, can result in death or serious injury. Please follow instructions carefully.

## **CAUTION**

**CAUTION** This symbol indicates a potentially hazardous situation which, if not avoided, can result in minor or moderate injury.

## **CAUTION**

**CAUTION**, This symbol is used without the safety alert symbol, indicates a potentially hazardous situation which, if not avoided, can result in equipment damage. Please follow instructions carefully. Please follow instructions carefully.

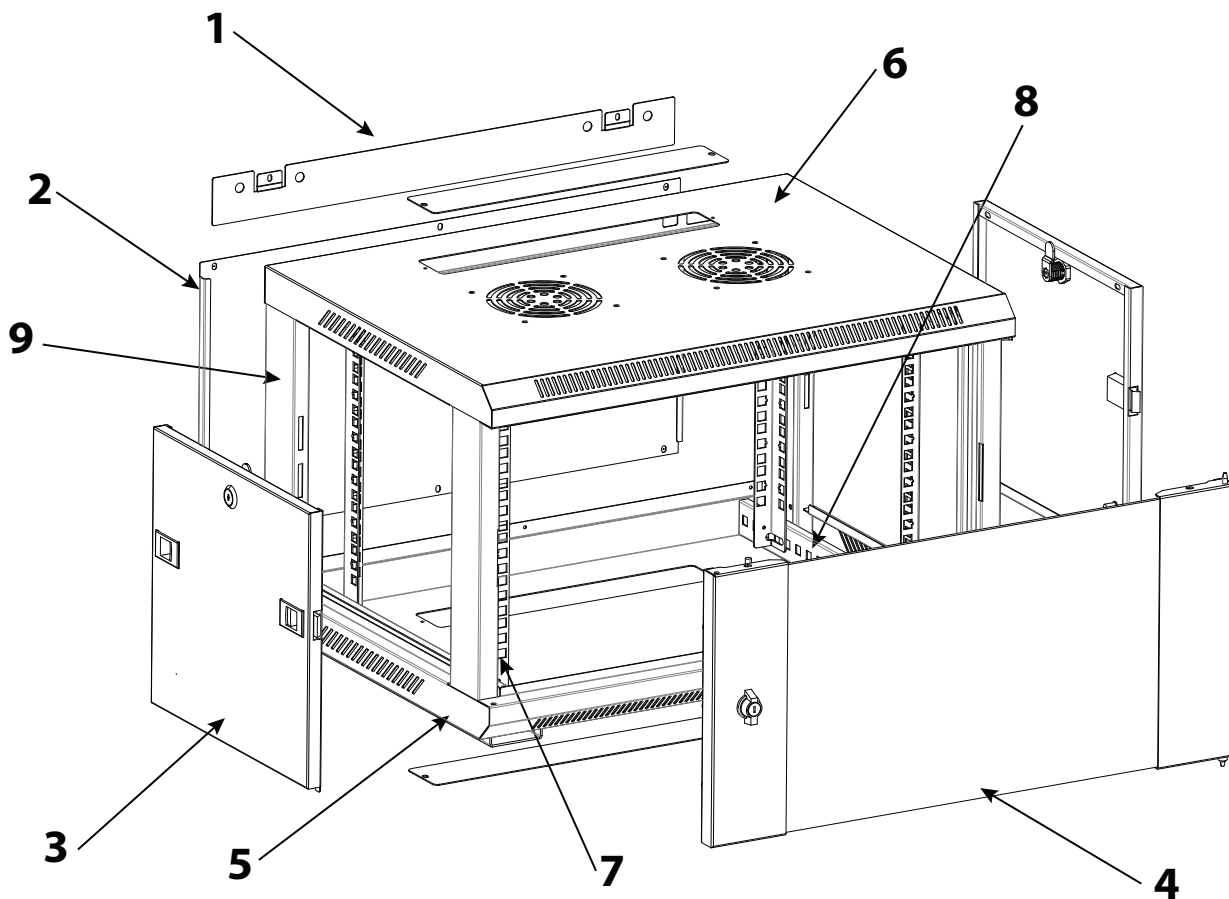
## **NOTICE**

**NOTICE** This symbol provides informations and practices not related to physical injury including certain environmental hazards, potential damage or loss of data. Please follow instructions carefully.

# Introduction

Rocstor SolidRack assembled wall-mount rack enclosure is a non-swinging cabinet which is ideal for retail, educational facilities, and healthcare. It accommodates all standard 19-inch rack-mount equipment, and it ships fully assembled for easy deployment and installation. This rack cabinet is wall mountable which is ideal for areas with limited floor space. It is designed specifically for servers and network switches, and patch panels. This rack enclosure can also be placed on the floor with an optional rolling caster kit for easy maneuvering of the enclosure. The cabinet's door is reversible. Optional 120V dual fan that can be mounted on top (sold separately). Rocstor SolidRack cabinets are built strong and reliable with a 200lb weight capacity, 19" rack width, ships fully assembled, ventilated, and provides fan and other accessory integration options. This SolidRack enclosure is backed by Rocstor's 5 year warranty and lifetime technical support.

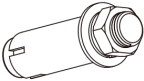





## Feature Identification



- 1. Mounting bracket - 1pcs
- 2. Rear panel - 1pcs
- 3. Side panels - 2pcs
- 4. Front door - 1pcs
- 5. Bottom panel - 1pcs

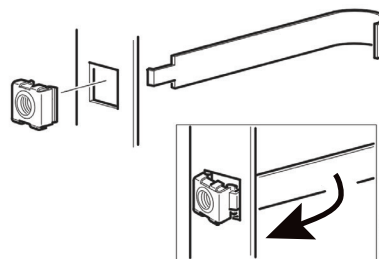
- 6. Top cover- 1pcs
- 7. Vertical bracket - 4pcs
- 8. Horizontal bracket-4pcs
- 9. Frame-1pcs

# Hardware and Accessories

QTY		
4		Expansion Bolt
12		M6 Screw
12		M6 cage nut
12		Plastic washer
2		Key for front door
2		Key for side panels

## Cage Nut Installation

**To ensure proper and secure installation, cage nuts need to be installed horizontally as shown below. Installing cage nuts in the incorrect orientation can cause injury or equipment damage.**



**Note:** You may wish to use a cage nut tool (user-supplied) to aid cage nut installation and removal.

# Enclosure Installation

## CAUTION

**CAUTION**, This symbol is used without the safety alert symbol, indicates a potentially hazardous situation which, if not avoided, can result in equipment damage. Please follow instructions carefully. Please follow instructions carefully.

## NOTICE

**NOTICE** This symbol provides informations and practices not related to physical injury including certain environmental hazards, potential damage or loss of data. Please follow instructions carefully.

## Tools Requirement & Preparation for Installation

Make sure you inspect the area that this cabinet will be installed. This enclosure should be installed in a structurally sound area that can handle the load and the weight of the cabinet. If you place the cabinet on a level floor, make sure the floor can bear the weight of the enclosure, all equipment that will be installed in the enclosure. For permanent wall mount installation, make sure to securely fasten the enclosure to the building structure.

The following tools are required for proper installation:

- Level (not included)
- Phillips-head screwdriver (not included)
- Appropriate tools for wall mounting (not included)
- Appropriate hardware for wall mounting (not included)



# Enclosure Installation

## WARNING



Use at least two people to unpack the enclosure.



## Move the Cabinet

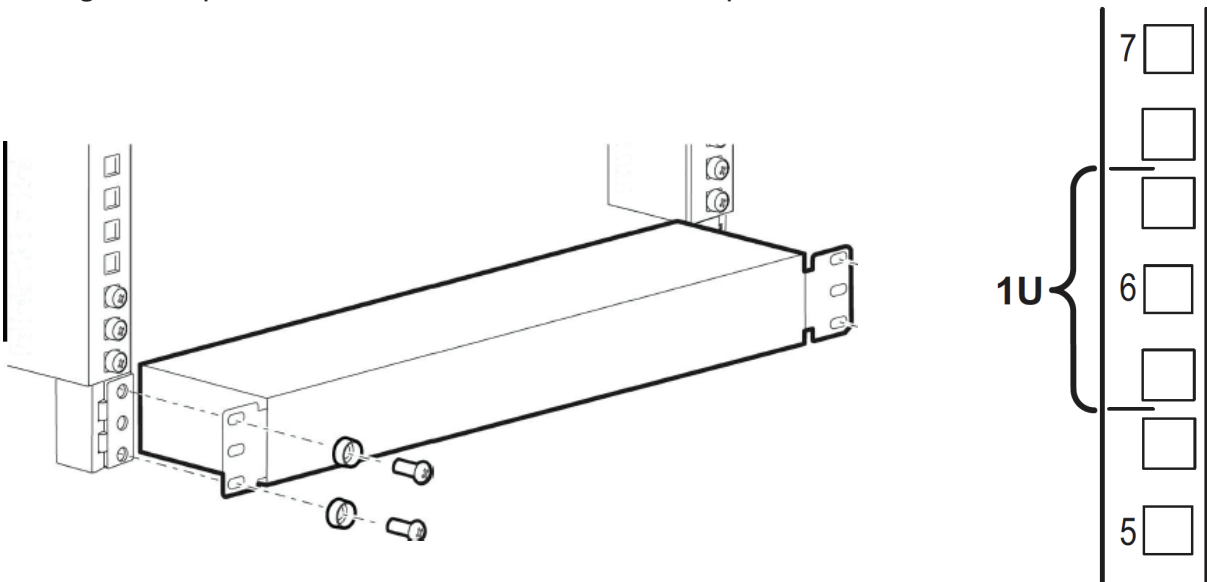
### TIP/ HEAVY EQUIPMENT HAZARD

- Be extremely cautious when moving or unpacking this rack/cabinet.
- When moving or unpacking this cabinet. Two people are preferred and are required to move and unpack the cabinet.
- Make sure the leveling feet are up when moving or pushing the cabinet. DO NOT push the cabinet from its sides.

**Not following these instructions carefully, it can result in death, serious injury, or equipment damages.**

## Customer Equipment Installation

- Review the equipment manufacturer's installation instructions.
- Locate the top and bottom U-space on the vertical mounting rails. Every third hole on the mounting rails is numbered to indicate the middle of a U-space.
- Install the cage nuts on the interior of the vertical mounting rail; then install the equipment.  
(To remove a cage nut, squeeze the sides to release it from the square hole.)



# Ground the Cabinet

  **DANGER**

## HAZARD OF ELECTRIC SHOCK

Connection of the cabinet to building Common Bonding Network (CBN) is required.  
**Failure to follow these instructions will result in death or serious injury.**

## Ground Connection

SolidRack use the most reliable and quality products. All doors and parts of the enclosure are grounded to the frame of the enclosure. To connect the enclosure to the facility's ground, use the grounding nut in the enclosure. The grounding point is marked in the enclosure with the ground symbol shown below.

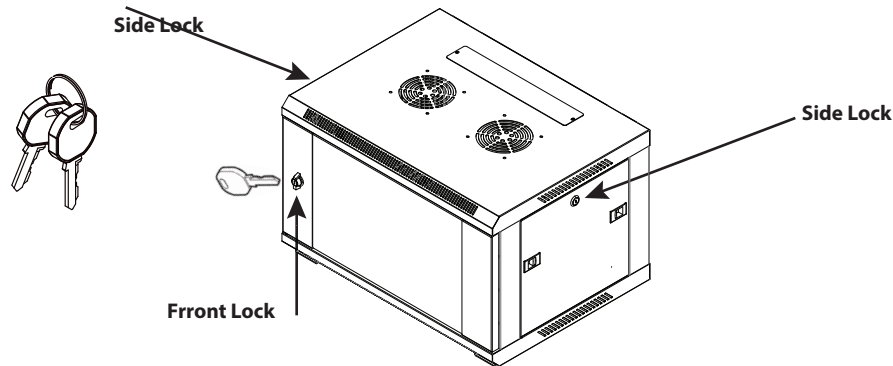


# Enclosure Configuration

Plan for your installation in advance and make sure all mounting rails are adjusted or reversed for your required depth per your configuration needs.

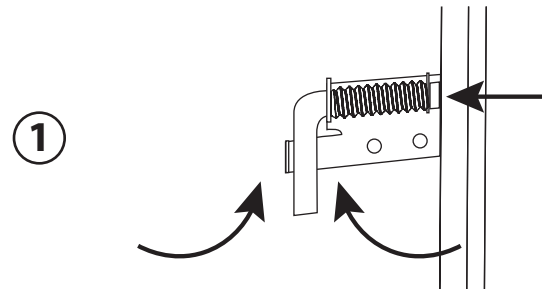
## Door Locks Access

Front and side doors have locks for added security. Each enclosure cabinets includes two keys that are able to open all the locks.

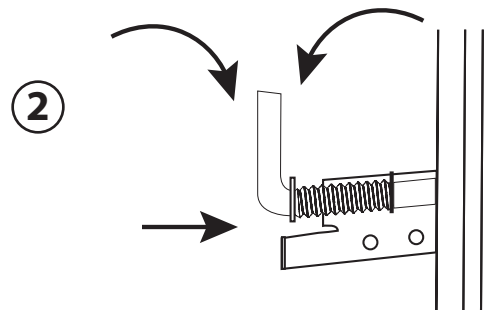


*This cabinet's side panel locks use an L-shaped lever which is attached on the inside of the enclosure.*

**1-** In order to unlock and remove the side panels, you must first lift leg that is shorter of the "L" up and then pull it away from the side panel. Then you must pull the tab that is located on the side panel and at that time you may remove it from the enclosure.



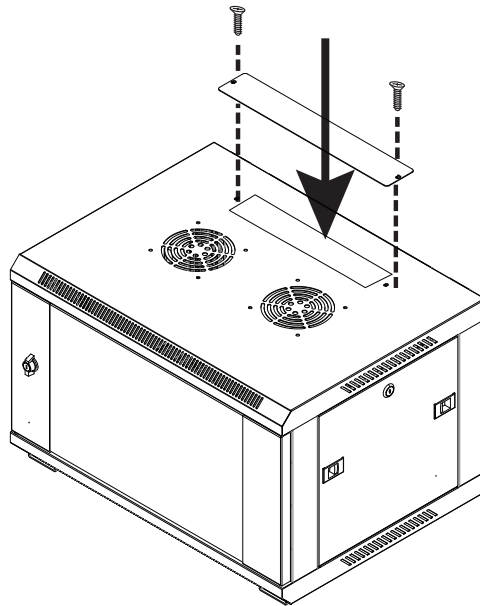
**2-** In order to lock the side panels back on the cabinet, first place it and secure it in the correct position, then lift the shorter side of the "L" up and slowly push it toward the side panel hole position. Make sure the long side of the "L" is correctly positioned in the panel hole. The last step is to push the shorter side of the "L" down in order to securely lock it in its position.



# Enclosure Configuration

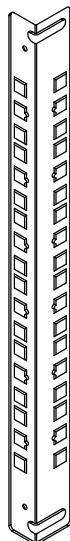
## Configuring Cable Access

Rocstor SolidRack provides an easy cable management configuration. The rectangular opening of top of the cabinet provides an easy access for cable management. The rectangular opening can easily be removed or installed back by unscrewing or screwing in the removable cable access panel.



## Mounting Rails Installation

Before you mount rails or install any hardware, please make sure you have securely mounted the cabinet to the wall or have positioned the cabinet on the floor. You must also have all the right adjustments on your rails prior installation and mounting your equipment into the rack.



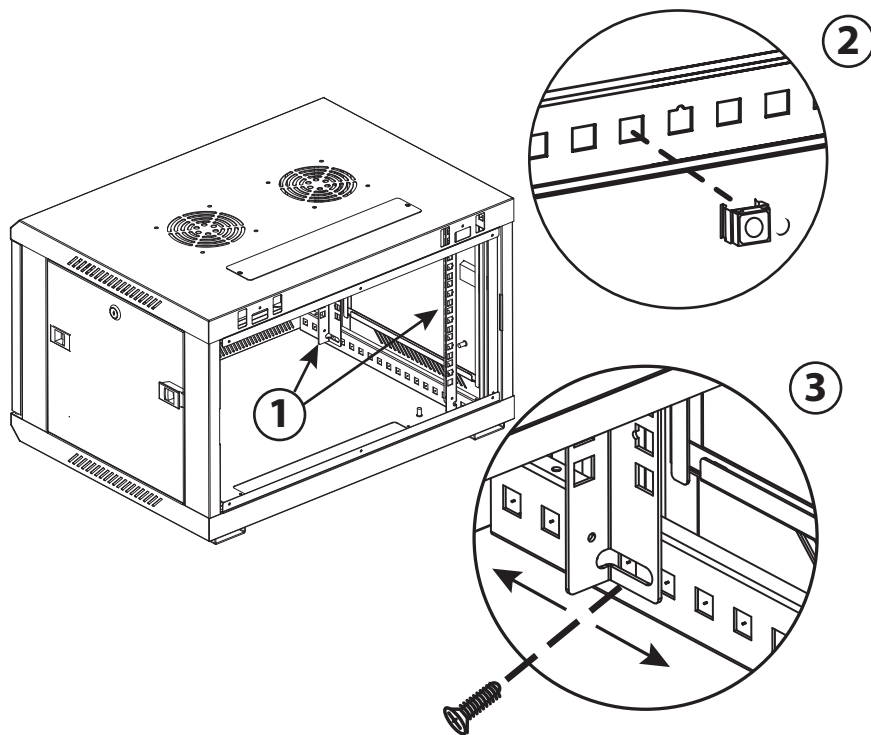
# Enclosure Configuration

## Rail Adjustment

**WARNING: Adjusting the rails while the rails are connected to the equipment will damage your equipment and the enclosure. Do not adjust the rails when there is equipment installed in the cabinet. Also, make sure there are (2) two screws used per rail for properly secured equipment installation.**

Do not attempt to adjust the rails since it will accommodate for different mounting depth unless your equipment specification requires for a different mounting depth. This versatile rack provides adjustment for front and rear set of rails. They rails are independently adjustable in a ¼ inch (6mm) increments.

- 1-** The SolidRack enclosure includes an upper and lower rail. The upper and lower rails are connected with (2) two screws and (2) cage nuts. One set in the upper corner and additionally another set in the lower corner. Please use a Phillips-head screwdriver for removing the screws that have attached the rails to the cabinet enclosure.
- 2-** Adjust and install the cage nuts to the required depth.
- 3-** Place and slide the rails to the required depth. Install the mounting rails and use the screws that was removed originally.



# Wall Mounting the Enclosure

## WARNING

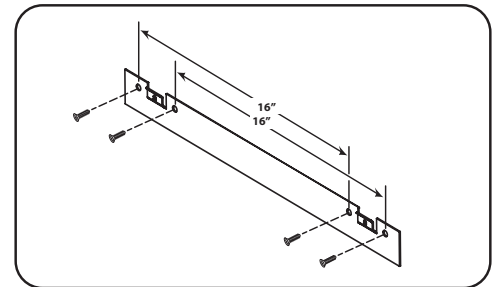
**Install the appropriate hardware (not included) to the wall. Follow all local regulations. Refrain from mounting the enclosure cabinet to the wall with equipment in the cabinet.**

Rocstor recommends the cabinet enclosure installation to be performed by professional or qualified technician. Plan for the installation and make sure there are no equipment installed in the cabinet during installation. Prior wall mounting and rack installation, first use a tape measure and precisely mark the position of the rack. Then use a level and make sure the rack will be installed in the straight position. Use correct fasteners which are not included and place the rack and secure the cabinet to the wall. Your installer or technician must use the correct mounting equipment for installation of the rack to cinder block, concrete, drywall or wood studs.

**Warning: Make sure you follow the installation manual carefully. Failure to incorrectly installing the cabinet, it will cause bodily injury, cabinet, and property damages. Make sure the supporting surface can safely handle the combined load of the equipment and attached**

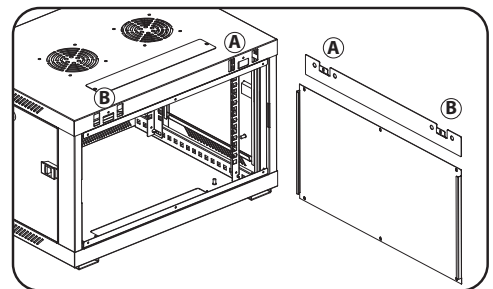
**1-** Make sure the mounting plate hooks are facing outward and away from the wall when mounting the plate to the wall. Attach the mounting plate to the wall with hardware (not included). The installation plate mounting hole is designed to accommodate an M8 or 5/16" bolt. The holes on the plate are spaced 16" apart to accommodate standard stud.

**1**



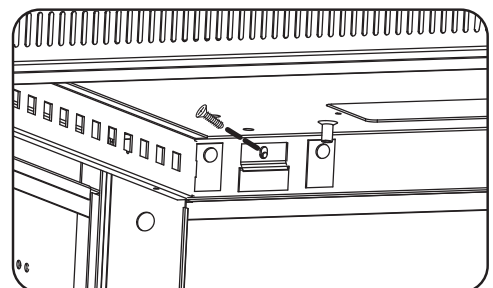
**2-** After the plate has been securely positioned and installed, hang the cabinet's two mounting notches onto the two mounting hooks on the attached wall plate. Slide down the cabinet notches onto the hooks. The cabinet should easily slide down and mount on the plate. The enclosure can be mounted in standard or reversed positions.

**2**



**3-** Use the (3) supplied screws to secure the cabinet. Tighten the screws in the holes on the mounting hooks after the mounting plate has been installed and the cabinet has been securely hung.

**3**



# Five-Year Factory Warranty

Rocstor provides a Limited Factory Warranty which applies to products you have purchased for commercial or industrial use in the ordinary course of your business.

## Terms of warranty

Rocstor warrants its SolidRack product series to be free from defects in materials and workmanship for a period of five years from the date of purchase. Rocstor's obligation under this warranty coverage is limited to repairing or replacing, at its sole discretion, any such defective products. This warranty does not apply to equipment that has been damaged by accident, negligence, or misapplication or has been altered or modified in any way. In the event Rocstor repairs or provide a replacement of a defective product or part, the warranty does not extend the original warranty period. Rocstor reserves the right to repair or replace any parts under warranty as new or factory re manufactured.

## Non-transferable warranty

This warranty extends only to the original purchaser who must have properly registered the product. The product may be registered at the Rocstor Web site, <https://rocstor.com/customer-support/warranty> registration.

## Exclusions

If Rocstor tests or examines the alleged defect in the product and finds that the damages or defects do not exist or were caused by a third party or an end user's misuse, improper installation or testing, or negligence, then Rocstor shall not be liable under the warranty. Furthermore, unauthorized attempts to repair or modify the product by wrong or inadequate electrical connection or voltage, inadequate or inappropriate site operation conditions, repair, installation corrosive area or atmosphere, a change in location or operating conditions or use, repair by non-Rocstor designated personnel, exposure to the elements, fire, Acts of God, theft, or equipment installation not recommended or contrary to Rocstor's specifications or recommendations. Warranties will be void and Rocstor will not be liable if the product serial number is tampered with, altered, removed, defaced or any other cause beyond the range of intended use.

# Contact Information

## Corporate Headquarters

12979 Arroyo Ave  
San Fernando, CA 91340 - USA

Office: +1 (818) 727-7000  
Fax: +1 (818) 875-0002  
Email: info@Rocstor.com

## Technical Support / RMA

Hours: 9:00 am - 5:00 pm PST  
Mon - Fri (excluding holidays)

Tell: +1 (818) 727-7000 (Domestic and Internationals)  
Fax: +1 (818) 875-0002  
Email: support@Rocstor.com

## Sales Info

Hours: 8:00 am - 5:00 pm PST  
Mon - Fri (excluding holidays)

Tell: +1 (818) 727-7000 (Domestic and Internationals)  
Fax: +1 (818) 875-0002  
Email: support@Rocstor.com

## Corporate, Government and Academic Customers

Our Corporate Sales Team's goal is to help our U.S.A. and Canadian customers find a storage solution that best serves their needs. We will help you determine your best purchasing options. For more information please contact the appropriate department below or call us at +1 (818) 727-7000.

General sales information:	sales@Rocstor.com
Corporate sales information:	corporate_sales@Rocstor.com
Educational sales information:	academic_sales@Rocstor.com
Federal, State & Local government sales information:	government_sales@Rocstor.com

## Resellers/Business Development/OEM Partners

All Channel National and International Resellers, VARs, Consultants ...

contact Rocstor Channel Sales:	call: +1 (818) 727-7000
	Email: reseller_info@Rocstor.com