



ExtremeWireless™ 802.11ax Wi-Fi 6E Outdoor AP5050U Access Point

Installation Guide

9037682-01 Rev AB
October 2023



Copyright © 2023 Extreme Networks, Inc. All rights reserved.

Legal Notice

Extreme Networks, Inc. reserves the right to make changes in specifications and other information contained in this document and its website without prior notice. The reader should in all cases consult representatives of Extreme Networks to determine whether any such changes have been made.

The hardware, firmware, software or any specifications described or referred to in this document are subject to change without notice.

Trademarks

Extreme Networks and the Extreme Networks logo are trademarks or registered trademarks of Extreme Networks, Inc. in the United States and/or other countries.

All other names (including any product names) mentioned in this document are the property of their respective owners and may be trademarks or registered trademarks of their respective companies/owners.

For additional information on Extreme Networks trademarks, see: www.extremenetworks.com/company/legal/trademarks

Open Source Declarations

Some software files have been licensed under certain open source or third-party licenses.

End-user license agreements and open source declarations can be found at: <https://www.extremenetworks.com/support/policies/open-source-declaration/>



Table of Contents

Preface.....	5
Text Conventions.....	5
Documentation and Training.....	6
Help and Support.....	7
Subscribe to Product Announcements.....	7
Send Feedback.....	8
AP5050U Overview.....	9
New in this Guide.....	9
October, 2023 Revisions.....	9
March, 2023 Revisions.....	10
AP5050U Features.....	11
Supported Accessories.....	12
Power Profile.....	13
Micro USB Console Port Information.....	14
AP5050U Status LED Activity Description.....	14
AP5050U Purchase Order Information.....	15
AP5050U order information.....	15
EIO-04 under-seat mounting kit order information.....	16
KT-147407-02 bracket order information.....	16
MBO-ART03 bracket order information.....	17
KT-150173-01 extension arm order information.....	18
Install the Access Point.....	19
Installation Do's and Don'ts.....	20
Installation Don'ts.....	20
Installation Do's.....	21
Access Point Bracket Usage and Mounting Options.....	23
Install the Access Point Under-Seat.....	24
Install the EIO-04 Under-Seat Slope Bracket and the Access Point.....	25
Install the Access Point on a Flat Surface Using EIO-04 Brackets.....	28
Install the Access Point on a Wall.....	30
Install the Access Point on a Wall or Flat Surface Using the KT-147407-02 Bracket Parts.....	31
Install the Access Point Using KT-147407-02 Bracket Parts and KT-150173-01 Extension Arm.....	32
Install the Access Point Using KT-150173-01 Extension Arm.....	34
Install the Access Point on a Wall With the MBO-ART03 Bracket.....	35
Install the Access Point on a Wall Using MBO-ART02 Articulating Mounting Bracket.....	36
Install the Access Point on a Pole.....	38
Install the Access Point on a Pole Using KT-147407-02 Bracket Parts.....	38

Install the Access Point on a Pole Using KT-147407-02 Bracket Parts and KT-150173-01 Extension Arm.....	41
Install the Access Point on a Pole with the MBO-ART03 and KT-147407-02 Brackets...	44
Install the Access Point on a Pole Using MBO-ART02 Articulating Mounting Bracket and POLE01 Bracket.....	45
Install the Access Point on a Unistrut Structure Using the MBO-ART03 Bracket.....	47
Install the EIO-03-SP Service Panel on an Access Point.....	49
Secure the Access Point after Installation.....	51
Power or Pressure Washing Guidelines.....	52
Ground the Access Point.....	53
Connect the ETH1 or ETH0 Cable through the Service Panel Base.....	54
Connect the ETH1 or ETH0 Cable through the Metal Sloping Bracket.....	58
Regulatory and Compliance Information.....	61
Safety Guidelines.....	61
Professional Installation Instruction.....	62
Professional Installation Instruction.....	62
Instructions d'installation professionnelle.....	62
FCC Notice (Part 15 - Class B).....	63
FCC Radiation Exposure Statement.....	63
Industry Canada Notice.....	64
United Kingdom (UK) and European Union (EU) Radiation Warning Statement.....	65
Thailand Regulatory Notice.....	65
SAR Statement.....	66
Taiwan Regulatory Statement.....	66
Mexico Regulatory Information.....	66
Brazil Regulatory Statement.....	66
Extreme Networks UK Address.....	67
Extreme Networks EU Importer Address.....	67
European Waste Electrical and Electronic Equipment (WEEE) Notice.....	67
Declaration of Conformity in Languages of the European Community.....	68
Index.....	72



Preface

Read the following topics to learn about:

- The meanings of text formats used in this document.
- Where you can find additional information and help.
- How to reach us with questions and comments.

Text Conventions

Unless otherwise noted, information in this document applies to all supported environments for the products in question. Exceptions, like command keywords associated with a specific software version, are identified in the text.

When a feature, function, or operation pertains to a specific hardware product, the product name is used. When features, functions, and operations are the same across an entire product family, such as ExtremeSwitching switches or SLX routers, the product is referred to as *the switch* or *the router*.

Table 1: Notes and warnings






Icon	Notice type	Alerts you to...
	Tip	Helpful tips and notices for using the product
	Note	Useful information or instructions
	Important	Important features or instructions
	Caution	Risk of personal injury, system damage, or loss of data
	Warning	Risk of severe personal injury

Table 2: Text

Convention	Description
screen displays	This typeface indicates command syntax, or represents information as it is displayed on the screen.
The words <i>enter</i> and <i>type</i>	When you see the word <i>enter</i> in this guide, you must type something, and then press the Return or Enter key. Do not press the Return or Enter key when an instruction simply says <i>type</i> .
Key names	Key names are written in boldface, for example Ctrl or Esc . If you must press two or more keys simultaneously, the key names are linked with a plus sign (+). Example: Press Ctrl+Alt+Del
<i>Words in italicized type</i>	Italics emphasize a point or denote new terms at the place where they are defined in the text. Italics are also used when referring to publication titles.
NEW!	New information. In a PDF, this is searchable text.

Table 3: Command syntax

Convention	Description
bold text	Bold text indicates command names, keywords, and command options.
<i>italic text</i>	Italic text indicates variable content.
[]	Syntax components displayed within square brackets are optional. Default responses to system prompts are enclosed in square brackets.
{ x y z }	A choice of required parameters is enclosed in curly brackets separated by vertical bars. You must select one of the options.
x y	A vertical bar separates mutually exclusive elements.
< >	Nonprinting characters, such as passwords, are enclosed in angle brackets.
...	Repeat the previous element, for example, <i>member[member...]</i> .
\	In command examples, the backslash indicates a “soft” line break. When a backslash separates two lines of a command input, enter the entire command at the prompt without the backslash.

Documentation and Training

Find Extreme Networks product information at the following locations:

[Current Product Documentation](#)

[Release Notes](#)

[Hardware and software compatibility](#) for Extreme Networks products
[Extreme Optics Compatibility](#)
[Other resources](#) such as white papers, data sheets, and case studies

Extreme Networks offers product training courses, both online and in person, as well as specialized certifications. For details, visit www.extremenetworks.com/education/.

Help and Support

If you require assistance, contact Extreme Networks using one of the following methods:

Extreme Portal

Search the GTAC (Global Technical Assistance Center) knowledge base; manage support cases and service contracts; download software; and obtain product licensing, training, and certifications.

The Hub

A forum for Extreme Networks customers to connect with one another, answer questions, and share ideas and feedback. This community is monitored by Extreme Networks employees, but is not intended to replace specific guidance from GTAC.

Call GTAC

For immediate support: (800) 998 2408 (toll-free in U.S. and Canada) or 1 (408) 579 2826. For the support phone number in your country, visit: www.extremenetworks.com/support/contact

Before contacting Extreme Networks for technical support, have the following information ready:

- Your Extreme Networks service contract number, or serial numbers for all involved Extreme Networks products
- A description of the failure
- A description of any actions already taken to resolve the problem
- A description of your network environment (such as layout, cable type, other relevant environmental information)
- Network load at the time of trouble (if known)
- The device history (for example, if you have returned the device before, or if this is a recurring problem)
- Any related RMA (Return Material Authorization) numbers

Subscribe to Product Announcements

You can subscribe to email notifications for product and software release announcements, Field Notices, and Vulnerability Notices.

1. Go to [The Hub](#).
2. In the list of categories, expand the **Product Announcements** list.
3. Select a product for which you would like to receive notifications.

4. Select **Subscribe**.
5. To select additional products, return to the **Product Announcements** list and repeat steps 3 and 4.

You can modify your product selections or unsubscribe at any time.

Send Feedback

The Information Development team at Extreme Networks has made every effort to ensure that this document is accurate, complete, and easy to use. We strive to improve our documentation to help you in your work, so we want to hear from you. We welcome all feedback, but we especially want to know about:

- Content errors, or confusing or conflicting information.
- Improvements that would help you find relevant information.
- Broken links or usability issues.

To send feedback, do either of the following:

- Access the feedback form at <https://www.extremenetworks.com/documentation-feedback/>.
- Email us at documentation@extremenetworks.com.

Provide the publication title, part number, and as much detail as possible, including the topic heading and page number if applicable, as well as your suggestions for improvement.



AP5050U Overview

- [New in this Guide](#) on page 9
- [AP5050U Features](#) on page 11
- [Supported Accessories](#) on page 12
- [Power Profile](#) on page 13
- [Micro USB Console Port Information](#) on page 14
- [AP5050U Status LED Activity Description](#) on page 14
- [AP5050U Purchase Order Information](#) on page 15

The AP5050U access point is a cloud-ready, stadium-optimized Wi-Fi 6E outdoor access point.

The AP5050U access point is 802.11ax outdoor rated access point with internal antenna and supports high density of users and devices. You can install it under a seat or under a bench with the EIO-04 mounting kit, which is sold separately. It can also be mounted on a wall or to a pole. For a list of supported accessories, see [Supported Accessories](#) on page 12 .



Note

The AP5050U has a 6 GHz radio. But the radio is disabled until the Automated Frequency Coordination (AFC) regulations are ratified. The ratification varies by region. The access point is for outdoor deployment only at initial release.

New in this Guide

The following sections shows the recent documentation revisions for this guide. Use this information to locate the latest updates.

October, 2023 Revisions

Table 4: New and Revised Information

Section	Description
Install the Access Point on a Flat Surface Using EIO-04 Brackets	Updated graphic to show drainage holes on side of AP.
Install the Access Point on a Pole Using KT-147407-02 Bracket Parts	

Table 4: New and Revised Information (continued)

Section	Description
Install the Access Point on a Pole Using KT-147407-02 Bracket Parts and KT-150173-01 Extension Arm	
Taiwan Regulatory Statement	Taiwan Regulatory updates.
Mexico Regulatory Statement	Mexico Regulatory updates.
Brazil Regulatory Statement	Brazil Regulatory updates.
Thailand Regulatory Statement	Thailand Regulatory updates.
Access Point Bracket Usage and Mounting Options	Recommendation that you use 3mm stainless steel washers with EIO-03-SP, and EIO-04.
Install the EIO-04 Under-Seat Slope Bracket and the Access Point	
Install the Access Point Under-Seat	
Installation Do's and Don'ts	Updated torque specifications for gland caps.
Install the Access Point on a Unistrut Structure Using the MBO-ART03 Bracket	
Connect the ETH1 or ETH0 Cable through the Service Panel Base	

March, 2023 Revisions

Table 5: New and Revised Information

Section	Description
MBO-ART03 bracket order information	MBO-ART03 order information.
Access Point Bracket Usage and Mounting Options	The ART03 bracket replaces the ART02 bracket. It is an articulating mounting bracket with the following features: <ul style="list-style-type: none"> Adjustable 7.5", 9", and 10.5" extension with 2-axis +/-80 degree in 10 degree increments
Install the Access Point on a Wall	You can use the KT-147407-02 bracket and MBO-ART03 Articulating Mounting Bracket when you install your access point on an outside wall.
Install the Access Point on a Pole	You can use the KT-147407-02 and MBO-ART03 when you install your access point on an outside pole.
Install the Access Point on a Unistrut Structure Using the MBO-ART03 Bracket	You can use the MBO-ART03 when you install the access point to a unistrut.

AP5050U Features

Details about AP5050U access point features.

- Radios:
 - Tri-radio design 2.4 GHz (4x4:4), 5 GHz (4x4:4) and 6 GHz (4x4:4)

**Note**

The 6 GHz radio is disabled until Automated Frequency Coordination (AFC) regulations are ratified. The access point is for outdoor deployment only at initial release.

- One IoT Radio (BLE/802.15.4)
- Two Ethernet ports (ETH0 and ETH1):
 - ETH0 is 1 x 100/1000/2500/5000 Mbps auto-negotiation Ethernet port, RJ45 (Power over Ethernet - PoE)
 - ETH1 is 1 x 100/1000/2500 Mbps auto-negotiation Ethernet port, RJ45 (PSE)
- Dimensions: 11.3 in. x 10.0 in. x 2.9 in. (288 mm x 254 mm x 75 mm)
- One dual LED

For LED activity description, see [AP5050U Status LED Activity Description](#) on page 14.

- 3 mm diameter safety hanger provision
- Power: PoE 802.3at and 802.3bt: PSE enabled with 4x4x4

For complete power profile information, refer to the AP5050U [power profile](#).

- Antenna:
 - One omni-directional internal antenna
- Temperature:
 - -40°C to +60°C (-40°F to +140°F) operating temperature
 - -40 °C to +70 °C (-40 °F to +158 °F) storage temperature
- Enclosure: Plastic top enclosure and aluminum bottom
- One micro USB console port for troubleshooting or debugging issues

You can order a micro USB console adapter for your access point using the part number ACC-WIFI-MICRO-USB.

For more information, see the [Universal Wireless AP5050U and AP5050D data sheet](#).

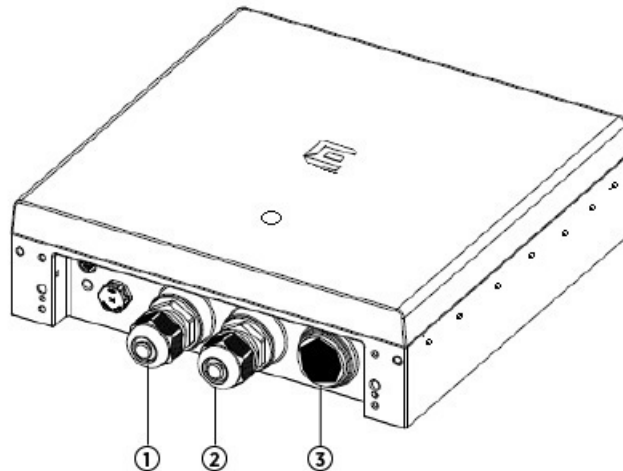


Figure 1: AP5050U side ports

Callout	Description
1	ETH1 is 2.5/1GE/100 with PoE power sourcing equipment (PSE) 15.4W when 802.3bt on Eth0
2	ETH0 is 5/2.5/1GE with Power over Ethernet (PoE)
3	Console port for troubleshooting

Supported Accessories

The table below lists the accessories available for your access point. For additional information, see [802.11ax and Cloud Access Points Accessories](#).

Table 6: Available Accessories

Accessory	Description	Comment
ACC-CAT6-LAN-GSKT	A black LAN cable gasket.	For use with a CAT6 and CAT6A LAN cables.
ACC-WIFI-MICRO-USB	Micro USB cable	Used for troubleshooting issues.
EIO-03-SP	A wireless access point service panel.	Protects the LAN gland side of the access point.
EIO-04	An under-seat mounting solution.	-
EIO-GASKET	Spacer for use in stadiums.	Stops large objects from getting wedged behind or under the EIO-04 slope.
KT-147407-02	A stainless steel hardware kit for mounting access points outdoors.	Use this bracket for outdoor use.

Table 6: Available Accessories (continued)

Accessory	Description	Comment
KT-150173-01	A 12-inch extension arm for pole and wall mounting.	Use this arm when a standoff distance is required. It provides a minimum standoff distance of twelve inches and helps avoid interference with the antennas.
MBO-ART03	An outdoor access point (OAP) mounting bracket having +/-80 degree tilt on 2-axis and an adjustable 7.5", 9" or 10.5" extension capability.	Use this bracket for wall mounts and Unistrut brackets; it can also be used for mounting on a pole with the pole section from KT-147407-02.
MBO-ART02 Note: The MBO-ART02 wall mount bracket is End of Sale (EOS) as of January, 2023. It is replaced by the MBO-ART03 bracket. For more information, see End of Sale and End Service Life .	A wall mounting bracket with +/- 80 degree that can be adjusted in 20 degree increments. It also has a 2-axis.	Use this bracket for outdoor use.
30520 Note: The 30520 wireless mounting kit is End of Sale (EOS).	WS-MBO-POLE01. A pole mounting bracket.	Used with MBO-ART02 for pole mounting.

Power Profile

The following table shows the power profile for the AP5050U . Use this information when you install the device.

Table 7: AP5050U Power Profile

	AT profile	BT profile
2.4G RF	18dBm, 4x4	18dBm, 4x4
5G RF	18dBm, 4x4	18dBm, 4x4
6G RF	18dBm, 4x4	18dBm, 4x4
BLE	Yes	Yes
2nd Ethernet port	Yes	Yes
PSE (15.4W)	No	Yes

Micro USB Console Port Information

Use the console port to make a serial connection between your management system and the access point. You can order a micro USB console adapter for your access point using the part number ACC-WIFI-MICRO-USB.



Note

When you connect to the Micro USB console port, the management station from which you connect to the device must have a VT100 emulation program, such as Tera Term Pro (a free terminal emulator) or Hilgraeve HyperTerminal® (provided with Windows operating systems from XP forward).

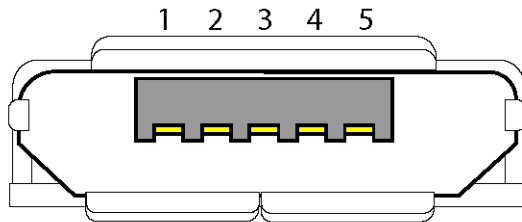


Figure 2: Micro-B model Console Port Pin Information

Table 8: Micro-B USB Pin Information

Pin number	Pin name and description
1	NC
2	RxD (input to access point)
3	TxD (output to terminal)
4	Signal (GND)
5	Signal (GND)

AP5050U Status LED Activity Description

The access point has one status light on top of the chassis. The status light conveys operational states for system power, firmware updates, Ethernet and wireless interface activity, and major alarms.

IQ Engine Status LED Activity

- Dark: Power is Off.
- Solid white: The device power is on and the access point is ready to use. The device has successfully established a Control And Provisioning of Wireless Access Points (CAPWAP) connection to ExtremeCloud IQ and is operating normally.
- Slow-blinking white: The device has a CAPWAP connection to ExtremeCloud IQ, but is operating on 802.3at power instead of 802.3bt power.
- Solid amber: The device power is on and the access point is in boot up mode, or is running without a CAPWAP connection.

- Slow-blinking amber: The device has no CAPWAP connection to ExtremeCloud IQ, and is operating on 802.3at power instead of 802.3bt power.
- Fast-blinking amber: The device is updating its IQ Engine firmware.

ExtremeCloud IQ Controller Status LED Activity

- Dark: The LED power is off or the LED has been de-activated.
- Solid white: The device is booting or already taken over by the controller.
- Slow-blinking white: The device is in the process of being taken over by the controller or has failed to be taken over by the controller.
- Flashing fading white: Configuration pushes down to access point from controller helping an user to locate the access point location using visual inspection.
- Solid amber: The access point is upgrading its firmware.
- Fast-blinking amber: The access point is acquiring DHCP IP.

AP5050U Purchase Order Information

AP5050U order information

The AP5050U access point is sold by itself, and you must order the mounting brackets and accessories separately for under seat, wall, or pole installations.

Part number	Description
AP5050U-WW	Outdoor tri-radio WiFi 6E access point (4x4:4), 2.4 GHz, 5GHz, 6GHz, and multirate port, internal omni antennas. Domain: World SKU

EIO-04 under-seat mounting kit order information

If you need to install the AP5050U access point under a seat, you need to purchase the EIO-04 under-seat enclosure. The ordering details are described in the following table.

Part number	Box contents
EIO-04	<ul style="list-style-type: none"> • EIO-04 Quick Reference Guide • Metal sloping bracket • Metal "L" brackets • Plastic service panel base • Plastic service panel top with one captive screw • Conduit covers: <ul style="list-style-type: none"> ◦ Two blank conduit covers for the metal sloping bracket ◦ Two blank conduit covers for the service panel base ◦ Two ½ in. conduit cover each for the metal sloping bracket and the service panel base ◦ Two ¾ in. conduit cover each for the metal sloping bracket and the service panel base • A hardware bag containing the following parts: <ul style="list-style-type: none"> ◦ Six 10 mm M6 screws with integral washer ◦ Four 75 mm service panel shoulder screws ◦ Four anchor posts ◦ Four anchor sleeves ◦ Four flat washers for anchors ◦ Four lock washers for anchors ◦ Four stainless steel hex nuts for anchors ◦ Anchor assembly instruction sheet

KT-147407-02 bracket order information

You can install the access point to a wall using the KT-147407-02 bracket parts (+/-15 degree, 1-axis) or the MBO-ART03 (10 degree increments +/-80 degrees, variable 7.5 inch, 9 inch, or 10.5 inch extension).

You can install the access point to a pole using:

- KT-147407-02 bracket parts (+/-15 degree, 1-axis), or
- MBO-ART03 (10 degree increments +/-80 degree, variable 7.5 inch, 9 inch, or 10.5 inch extension).



Note

The MBO-ART02 wall mount bracket is End of Sale (EOS) as of January, 2023. It is replaced by the MBO-ART03 bracket.

The WS-MBO-POLE01 bracket is End of Sale (EOS) as of January, 2023.

You can attach the access point to a wall or unistrut bracket using the MBO-ART03 bracket. However, if you are using the MBO-ART03 bracket to attach the access point to a pole, you must use the KT-147407-02 bracket along with the MBO-ART03 bracket.

The ordering details are described in the following tables:

Part number	Box contents
KT-147407-02	The KT-147407-02 bracket comes with three bracket parts: <ul style="list-style-type: none"> • Flat part with holes on the metal surface • 1-axis tilt part • Boxed pole part with step edges
	Six hex-head M6 stainless-steel screws
	Two hex-head M12 stainless-steel screws
	Two hex M12 stainless-steel nuts
	One URL card

The KT-147407-02 bracket kit can be used with KT-150173-01 extension arm for wall or pole installations. KT-147407-02 adds +/- 15 degree tilt to wall or pole installations.



Note

You must purchase the KT-150173-01 extension arm separately.

MBO-ART03 bracket order information

The MBO-ART03 bracket is shipped with the following items.

Part number	Box contents
MBO-ART03	ART03 mounting bracket with +/- 80-degree (in 10-degree increments) and a variable extension of 7.5 inch, 9 inch, or 10.5 inches.
	Four stainless-steel M8 screws
	Two M6 long hex head screws and hex nuts with lock washer.
	One URL card

KT-150173-01 extension arm order information

The contents of the KT-150173-01 extension arm are described in the following table.

Part number	Box contents
KT-150173-01	One KT-150173-01 12 in. extension arm
	Two hex-head M12 stainless-steel screws
	Two hex M12 stainless-steel nuts
	One URL card

**Note**

You must provide the required M6 hex-head screws and nuts for flat surface installation.



Install the Access Point

[Installation Do's and Don'ts](#) on page 20

[Access Point Bracket Usage and Mounting Options](#) on page 23

[Install the Access Point Under-Seat](#) on page 24

[Install the Access Point on a Wall](#) on page 30

[Install the Access Point on a Pole](#) on page 38

[Install the Access Point on a Unistrut Structure Using the MBO-ART03 Bracket](#) on page 47

[Install the EIO-03-SP Service Panel on an Access Point](#) on page 49

[Secure the Access Point after Installation](#) on page 51

[Power or Pressure Washing Guidelines](#) on page 52

Before You Begin

Ensure that the following items are available:

Quantity	Item
1	AP5050U access point
1	Quick Reference Guide

About This Task

The AP5050U access point can be installed under a seat, under a bench, on a wall, or on a pole. The [AP5050U Purchase Order Information](#) on page 15 gives you more details about choosing the right access point bracket for your installation needs.



Note

The access point has light-gray LAN cable pre-installed in the access point glands. The light-gray gasket handles all CAT 5 and CAT 5E cables, with a cable diameter range from 4.5mm to 6.0mm.

The access point ships with two black gaskets in the box for use with Category 6/6A (CAT 6/6A) Ethernet cables with a cable diameter from 6.0mm to 9.2mm. This includes unshielded and shielded twisted-pair (UTP) Cat 6/6A cables. Store these gaskets in a safe place if you do not use them right away.

Procedure

1. Review the [purchase order information](#).
2. Visually inspect the access point and any other bracket and optional accessories you have ordered for physical damage.
If there is any damage, contact [Extreme Networks Support](#).
3. Review the [safety guidelines](#).
4. Be familiar with the information in the installation guide, in particular the [installation do's and don'ts](#).

Installation Do's and Don'ts

Learn about various do's and don'ts for each installation option before installing the access point.

Installation Don'ts:

- Do **NOT** install the access point side with the user input/output facing upward or angled upward, toward the sky.
- Do **NOT** install the access point or open the console cap when precipitation is falling or is about to fall.
- Do **NOT** remove the gland body. If the gland body is accidentally loosened, it must be torqued immediately to 30 in-lbs.



Important

The gland body keeps precipitation from entering the access point.



Note

The access point has light-gray gaskets pre-installed in the access point glands. The light-gray gasket handles all CAT 5 and CAT 5E cables, with a cable diameter range from 4.5mm to 6.0mm.

The access point ships with two black gaskets in the box for use with Category 6/6A (CAT 6/6A) Ethernet cables with a cable diameter from 6.0mm to 9.2mm. This includes shielded and unshielded twisted-pair (UTP) Cat 6/6A cables. Store these gaskets in a safe place if you do not use them right away.

- Do **NOT** let moisture, dirt, pollen, or any other debris to enter the glands or the console.
- Do **NOT** get a pressure washer nozzle closer than 24 inches to the glands, console cap, or vent.

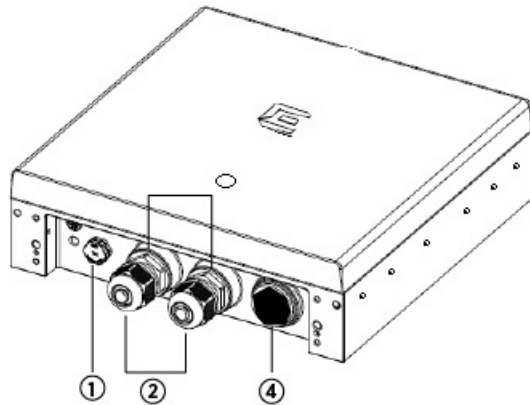


Figure 3: AP5050U Gland Body

Table 9: Gland Body Features

Callout	Description
1	Vent - do not loosen the vent. Do NOT remove the vent or it's protective cap.
2	Gland cap hex - remove only as needed to attach a LAN cable
3	Gland body hex Note: Do not loosen or unscrew the gland body hex.
4	Console cap hex - retighten to 15 in-lbs.

Installation Do's:

Orientation:

- The access point can be mounted in almost any orientation.



Note

The only mounting orientation restriction is with the access point glands. The best practice is to have the glands on the downward side to maximize water draining away from the glands.

- The side with the glands can be horizontal, facing down (ideal position), or anything in-between.

User I/O:

- Only the gland caps must be removed to install the ETH0 or ETH1 LAN RJ45 cable. Torque the gland caps to 12 in-lbs.
- The LAN cables must have a minimum radius of 1 in. and a 3 in. minimum drip loop. The loop allows gravity to carry moisture away from the glands.

- The console cap must be removed to install the micro-USB connector cable. Torque the console cap to 15 in-lbs. The console cap must not be left open during any form of precipitation.
- If used, torque the ground screw to a minimum of 12 in-lbs.

Power or Pressure Washers:

- The best practice is to keep a minimum distance of 24 inches between the pressure washer nozzle and the access point.
- Ensure that the maximum water pressure does not exceed 4000 psi.
- Fifteen degrees (15 degrees) is the narrowest nozzle that should be used for pressure washing.

Under bench and stadium riser installations only:

- If the AP5050U is mounted with a portion above the stadium riser, ensure there is a solid backing plate covering the entire access point and the service panel (EIO-03-SP) bottoms.
- When mounted on the riser, there must be a minimum of 1 in. of clear space below the mounted access point surface that is closest to the floor.
- In areas where the temperature gets to freezing or below, apply anti-seize material to the threads of the M6 screws (that holds the access point to a bracket) and M4 screws (that holds the service panel to the access point) prior to inserting the screw. Tighten the M6 screws to around 30 in-lbs. and the M4 screws to about 10 in-lbs.

Under seat installation only:

- Tighten the EIO-04 M6 screws to around 30 in-lbs. and the EIO-03-SP (service panel) and EIO-04 M4 screws to about 10 in-lbs.

Access Point Bracket Usage and Mounting Options

The AP5050U access point can be mounted under a seat, on a wall, or to a pole, as described in the following table.



Warning

When installing the access point on a wall or to a pole, the cable glands must face down.

Table 10: AP5050U Mounting Bracket Usage

Mounting bracket and part number	Wall install	Pole install	Under-seat install	Notes
EIO-04 under-seat housing	No	No	Yes	The access point can be installed under a seat on a slope or a flat surface such as stadium floor. Note: When you mount the AP on a riser with the metal "L" bracket only and not with a large metal sloping bracket, it is recommended that you add a 3mm-thick stainless steel washer between the "L" brackets and the riser on all of the anchors. The washer provides proper drainage during storms.
KT-147407-02 bracket; comes with three bracket parts	Yes	Yes	No	For attaching to a wall or a flat surface, use the bracket part that has two holes. The has +/-15 degree of tilt capability. For attaching to a pole, attach the KT-147407-02 pole part on top of the 1-axis tilt part.
KT-150173-01; extension arm; used with KT-147407-02 bracket parts	Yes; place the KT-150173-01 extension arm on top of the 1-axis KT-147407-02 tilt part	Yes; attach the KT-147407-02 pole part to the extension arm	No	For a 12-inch extension between the mounting surface and the access point.

Table 10: AP5050U Mounting Bracket Usage (continued)

Mounting bracket and part number	Wall install	Pole install	Under-seat install	Notes
MBO-ART03	Yes	Yes, with the KT-147407-02 bracket.	No	The articulating mounting bracket is paired with the KT-147407-02 bracket. For wall installations, the wall must be strong enough to support the access point during inclement weather.
MBO-ART02 Note: The MBO-ART02 wall mount bracket is End of Sale (EOS) as of January, 2023. It is replaced by the MBO-ART03 bracket.	Yes	Yes, with the 30520 (WS-MBO-POLE01) bracket.	No	The articulating mounting bracket is paired with the POLE01 bracket for pole installations. For wall installations, the wall must be strong enough to support the access point during inclement weather.
30520 (WS-MBO-POLE01 bracket) The 30520 wireless mounting kit is End of Sale (EOS).	No	Yes (must be used with the MBO-ART02 bracket)	No	If the pole diameter is \leq 1.0 in. (25.4 mm), use small cable clamp. If the pole diameter is between 5.0 in. - 7.0 in. (127.0 mm), use large cable clamp. For any other pole diameter, provide your own stainless steel cable clamp. The band must be 0.5 in. (12.7 mm) wide. The POLE01 bracket can be used only when paired with the MBO-ART02 bracket.

Related Topics

[Installation Do's and Don'ts](#) on page 20

[AP5050U Purchase Order Information](#) on page 15

Install the Access Point Under-Seat

The AP5050U is used with the EIO-04 mounting kit for under-seat installation.

The EIO-04 under-seat mounting kit can be installed on a:

- Slope
- Flat horizontal surface such as stadium floor

- Flat vertical surface such as stadium riser



Note

For stadium riser installations, note the following items:

- If the service panel base extends above the stadium riser, seal or cover the EIO-03-SP Service panel openings to prevent material from entering.
- Leave approximately 1-inch between the outdoor access point bottom and the floor. The gap will ensure that water that on the exterior surface drips away.
- When you mount the AP on a riser with the metal "L" bracket only and not with a large metal sloping bracket, it is recommended that you add a 3mm-thick stainless steel washer between the "L" brackets and the riser on all of the anchors. The washer provides proper drainage during storms.

Install the EIO-04 Under-Seat Slope Bracket and the Access Point

Install the EIO-04 under seat enclosure with the AP5050U access point on a stadium slope.

Before You Begin

Obtain the items shown in the following table.



Note

When you mount the AP on a riser with the metal "L" bracket only and not with a large metal sloping bracket, it is recommended that you add a 3mm-thick stainless steel washer between the "L" brackets and the riser on all of the anchors. The washer provides proper drainage during storms.

Table 11: Hardware Requirements for Slope Installation

Item quantity	Description
1	AP5050U access point
6	10mm long M6 screws with integral washers
4	75 mm service panel shoulder screws
2	Anchor posts
4	3mm stainless steel washer to be used as a spacer for drainage.
2	Flat washers for anchors
2	Lock washers for anchors
1	Metal "L" bracket
1	Plastic service panel base
1	Plastic service panel top with captive screw
1	Metal sloping bracket

Table 11: Hardware Requirements for Slope Installation (continued)

Item quantity	Description
4	Service Panel metal Conduit Coupler plates, two blanks, one 3/4-inch NPT, and one 1/2-inch NPT.
4	Slope metal Conduit Coupler plates, two blanks, two 3/4-inch NPT, and two 1/2-inch NPT.

Attach the metal sloping bracket on a slope:

1. Using the metal sloping bracket as a template, mark and drill two holes in the concrete.
2. Insert the anchors without the nuts and washers.
3. If using EIO-GASKETs, install the two EIO-GASKETs on the left and right side of the access point. The two gaskets keep the area under the access point free of debris and large objects.
4. Place the metal sloping bracket, attach the nuts and washers to the exposed threads, and torque them to 60 in-lbs.

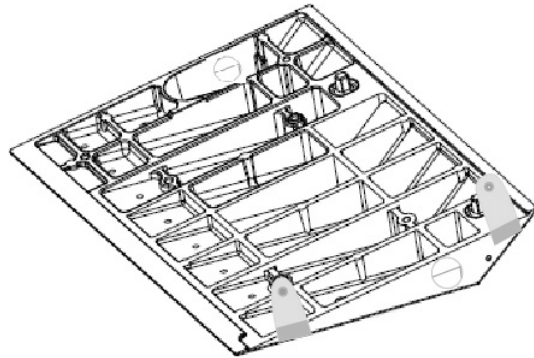


Figure 4: Metal Slope Bracket

About This Task

Attach the conduit cable through the conduit holes on the metal sloping bracket, then attach the metal L bracket to the access point, and install the access point on a surface.

Procedure

1. Attach the conduit couplers to the conduit.
2. Remove the locking nut.

3. Insert a blank conduit cover over the conduit hole in the slope for the conduit hole that is not used,.

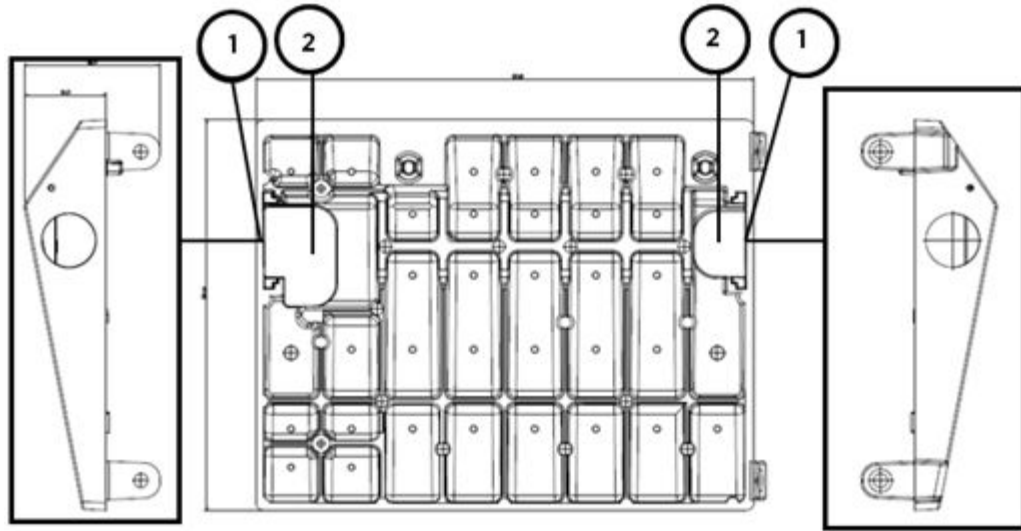


Figure 5: Metal Sloping Bracket Conduit Holes

Table 12: Conduit Holes

Callout	Description
1	Conduit holes on either sides of the metal sloping bracket.
2	Conduit cable holes in the slope.

4. If you are using the left side conduit hole on the metal sloping bracket, attach the correct size conduit cover to the conduit hole.

You can use an 1-inch NPT, 3/4-inch NPT, or 1/2-inch NPT on the EIO-04.



Note

If you are using a 3/4 inch NPT or 1/2 inch NPT, use the conduit cover that comes with the unit to cover the conduit hole. If you are using 1 inch NPT conduit, a conduit tab is not required.

5. Tighten the locking nut.
6. If you are using the conduit hole in the slope, attach the conduit coupler and the locking nut directly to the slope conduit hole.



Note

The conduit must be 1 in. in diameter to attach the conduit coupler and the nut directly in the slope.

7. Repeat Step 4 for the right side if you are using the right side conduit hole in the slope.

8. Run the cable through the conduit and add the RJ45 connectors to the wires.



Note

The cable should have a minimum of 1-inch bend radius and be accessible to the glands on AP5050U access point.

For more information about the LAN cables refer to Connect the ETH1 or ETH0 cable topic.

9. Attach the metal L bracket to the access point:
 - a. Attach the metal “L” bracket to the gland side of the AP5050U access point using two M6 screws.
 - b. Torque the screws to 35 in-lbs.



Note

When installing the access point flat against a surface in a location that uses ice melt, the best practice is to apply an anti-seize material to the screws before attaching them to the access point metal base.



Note

When you mount the AP on a riser with the metal “L” bracket only and not with a large metal sloping bracket, it is recommended that you add a 3mm-thick stainless steel washer between the “L” brackets and the riser on all of the anchors. The washer provides proper drainage during storms.

10. Install the access point on the slope:
 - a. Align and center the alignment holes of the access point and the right side tab holes, and attach the access point to the tabs using two M6 screws.
 - b. Attach the gland side of the access point, that has the “L” bracket to the metal sloping bracket using two M6 screws.
 - c. Push the access point to the rear as far as it will go.
 - d. Torque the screws to 35 in-lbs.

What to Do Next

[Install the EIO-03-SP Service Panel on an Access Point](#) on page 49.

Install the Access Point on a Flat Surface Using EIO-04 Brackets

Learn how to install the AP5050U access point on a flat surface.

Before You Begin



Note

When installing the access point flat against a surface in a location that uses ice melt, the best practice is to apply an anti-seize material to all screw threads before attaching them to the access point metal base.

Obtain the items shown in the following table.

Table 13: Hardware Requirements for Flat Surface Installation

Item quantity	Description
1	AP5050U access point
4	M6 screws with integral washers
4	75 mm service panel shoulder screws
2	Metal "L" bracket
1	Plastic service panel base
1	Plastic service panel top with one captive screw
4	Concrete anchors with nuts, washers, anchor posts, and anchor sleeves

Procedure

1. Attach an EIO-04 metal "L" bracket on each side of the AP5050U access point using two M6 screws for each bracket.



Note

When installing the access point flat against a surface in a location that uses ice melt, the best practice is to apply an anti-seize material to the screws before attaching them to the access point metal base.

2. Torque the M6 screws to 35 in-lbs.
3. Use the metal "L" brackets as a template, mark four hole centers, and drill in the concrete.
4. Insert four concrete anchors into the holes without the washers and nuts.
5. Place the metal "L" bracket over the threaded anchor posts and put on the flat-washer, the spring washer, and the nut on each anchor.
6. Torque the nuts to 60 in-lbs.

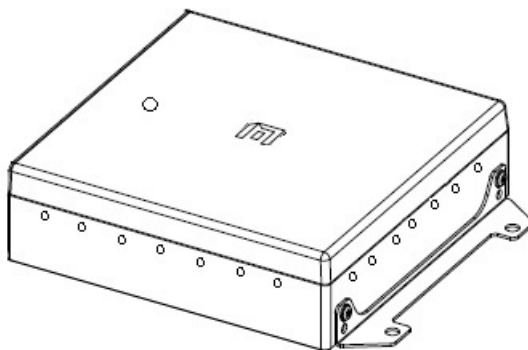


Figure 6: AP5050U Flat Surface Installation with Metal "L" Brackets

What to Do Next

[Install the EIO-03-SP Service Panel on an Access Point](#) on page 49.

Install the Access Point on a Wall

Before You Begin

You can attach the access point to a wall or flat surface with the following brackets:

- KT-147407-02 provides a +/-15 degree tilt single axis.
- KT-150173-01 provides a 12 inch rigid extension.
- KT-147407-02 plus KT-150173-01 provides a 12 inch extension plus +/-15 degree tilt.
- MBO-ART03 which a 7.5", 9" or 10.5" extension plus 2 axis +/-80 degree tilt.



Note

The cable glands should face down when you install the access point on a wall.



Note

You can use MBO-ART02 bracket to install your access point if you have one. The MBO-ART02 wall mount bracket is End of Sale (EOS) as of January, 2023. It is replaced by the MBO-ART03 bracket.

The following hardware is required when installing the access point on a flat surface using the KT-147407-02 bracket:

- One access point
- Flat part of the KT-147407-02 bracket with two holes on the metal surface.
- 1-axis tilt bracket.
- KT-150173-01 extension arm (see [KT-150173-01 extension arm](#)). Optional if an extension is desired.
- Six M6 screws
- Four M6 size hex-head screws
- Screw-in anchors if the access point is being mounted on a wood wall or a concrete surface.



Note

The installer must provide the M6 hex-head screws and screw-in anchors for wall installation.

If you install the access point to the wall using the MBO-ART03 bracket, use the following hardware:

- One access point
- MBO-ART03 articulating mounting bracket
- Six M6 hex-head screws
 - Two M6 hex-head screws to attach the bracket to the access point
 - Four M6 hex-head screws to attach the bracket to the wall or a flat surface.



Note

The cable glands should face down when you install the access point on a wall.

Install the Access Point on a Wall or Flat Surface Using the KT-147407-02 Bracket Parts

Before You Begin

Hardware requirements for a wall or flat surface installation:

- Flat part of the KT-147407-02 bracket
- 1-axis tilt part of the KT-147407-02 bracket
- One access point
- Six M6 screws
- Four M6 headsize screws

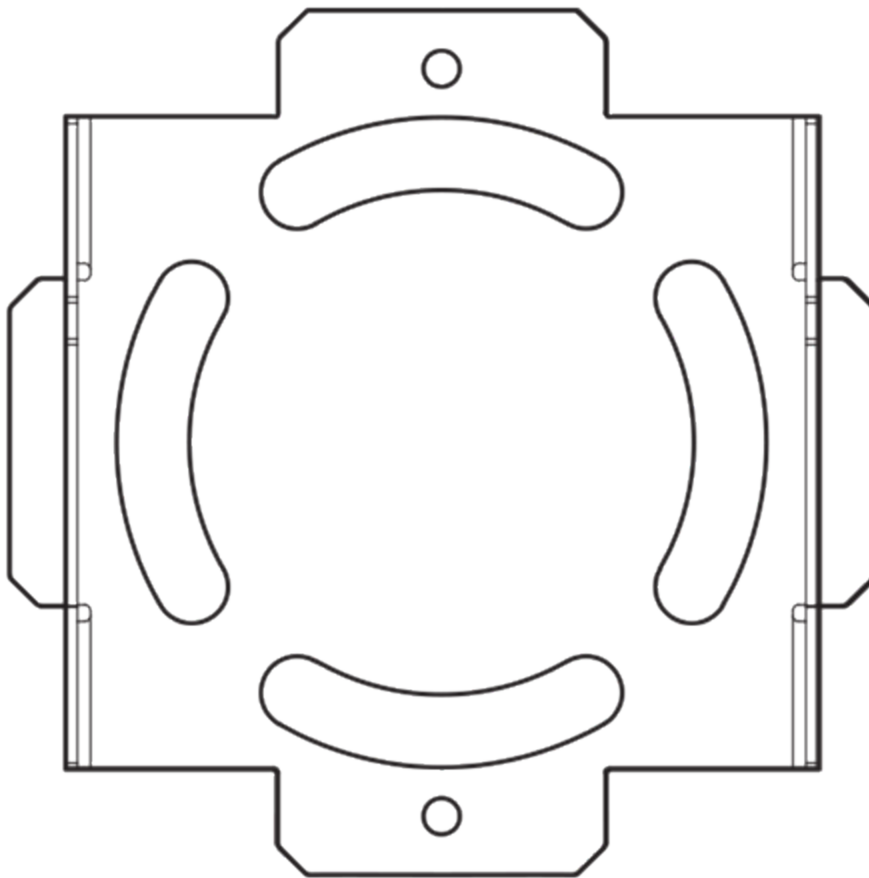


Figure 7: Flat part of the KT-147407-02 bracket

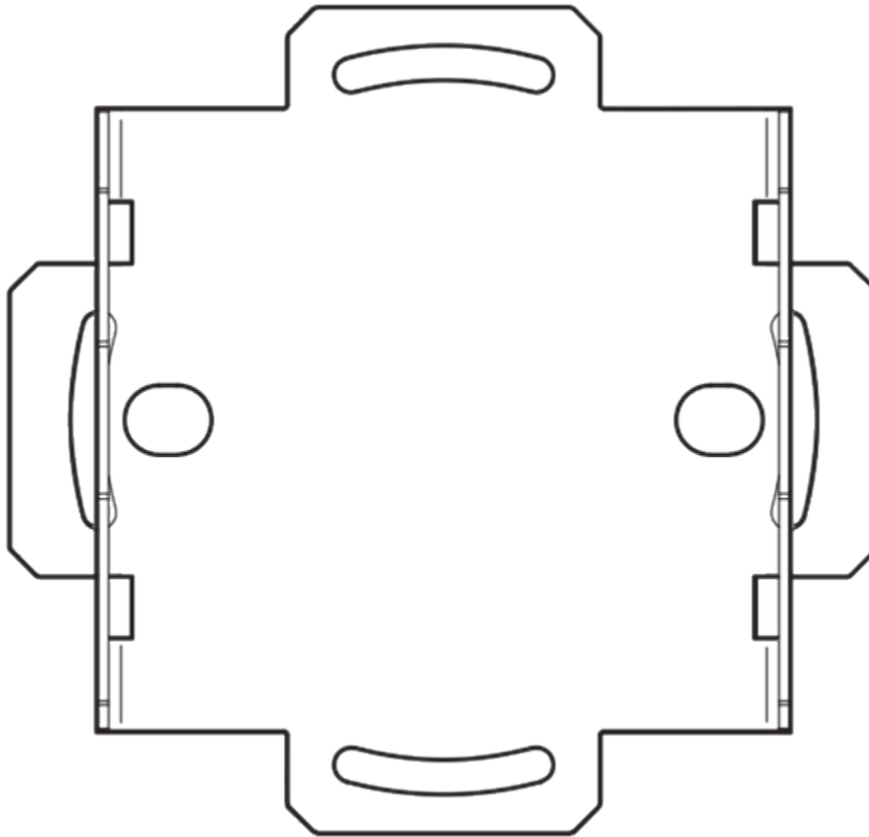


Figure 8: 1-axis tilt bracket

Procedure

1. Attach the flat part of the KT-147407-02 bracket to the access point using two M6 screws.
2. Using the 1-axis tilt bracket as a template, mark and drill four holes on a wall or on a flat surface.
3. Attach the 1-axis tilt bracket to a wall or flat surface using four M6 headsize screws.
4. Align the 1-axis tilt bracket part inside the flat part of the KT-147407-02 bracket, and attach the flat bracket to the 1-axis tilt bracket using four M6 screws.
5. Tilt the access point to a desired angle and tighten the four M6 screws to a torque of 45 in-lbs.

The tilt bracket has +15 degrees to -15 degrees of tilt.

Install the Access Point Using KT-147407-02 Bracket Parts and KT-150173-01 Extension Arm

Before You Begin

The hardware required for installation:

- Flat part of the KT-147407-02 bracket
- 1-axis tilt part of the KT-147407-02 bracket

- KT-150173-01 extension arm
- One access point

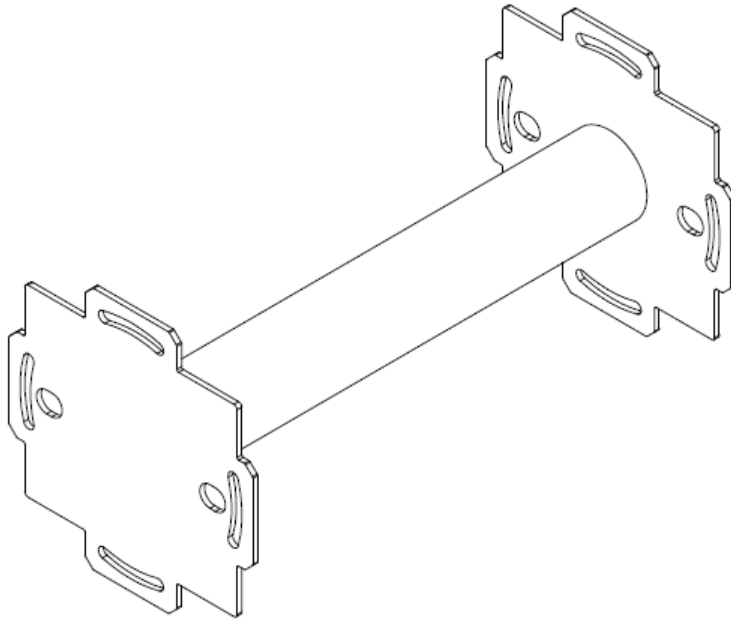


Figure 9: KT-150173-01 extension arm

About This Task

The KT-150173-01 extension arm is used in combination with the wall and pole bracket parts of the KT-147407-02 bracket.

Procedure

1. Attach the flat part of the KT-147407-02 bracket to the access point using two M6 screws.
2. Place the flat part of the KT-147407-02 bracket inside the 1-axis tilt bracket, and attach the 1-axis tilt bracket to the flat bracket using four M6 screws.
3. Using the KT-150173-01 extension arm as a template, mark and drill four hole centers on a flat surface.

The holes must be within the circular cuts in the end of the flange.

4. Attach one end of the KT-150173-01 extension arm to the 1-axis tilt bracket using two hex-head M12 stainless-steel screws and two hex-head M12 stainless-steel nuts through the two large circular holes on the KT-150173-01 extension arm.
5. Attach the KT-150173-01 extension arm, that now has the access point mounted on the other end, to a flat surface using four M6 size hex-head screws.

Use screw-in anchors with the four M6 hex-head screws when you mount the bracket on a wood surface and use concrete anchors for concrete surface.

Install the Access Point Using KT-150173-01 Extension Arm

Before You Begin

Hardware required to install the access point on a wall using the KT-150173-01 extension arm:

- KT-150173-01 extension arm
- Four M6 screws
- Four M6 hex-head screws
- One access point

Procedure

1. Using the KT-150173-01 extension arm as a template, mark and drill four hole centers on a flat surface.

The holes must be within the circular cuts in the end of the flange.

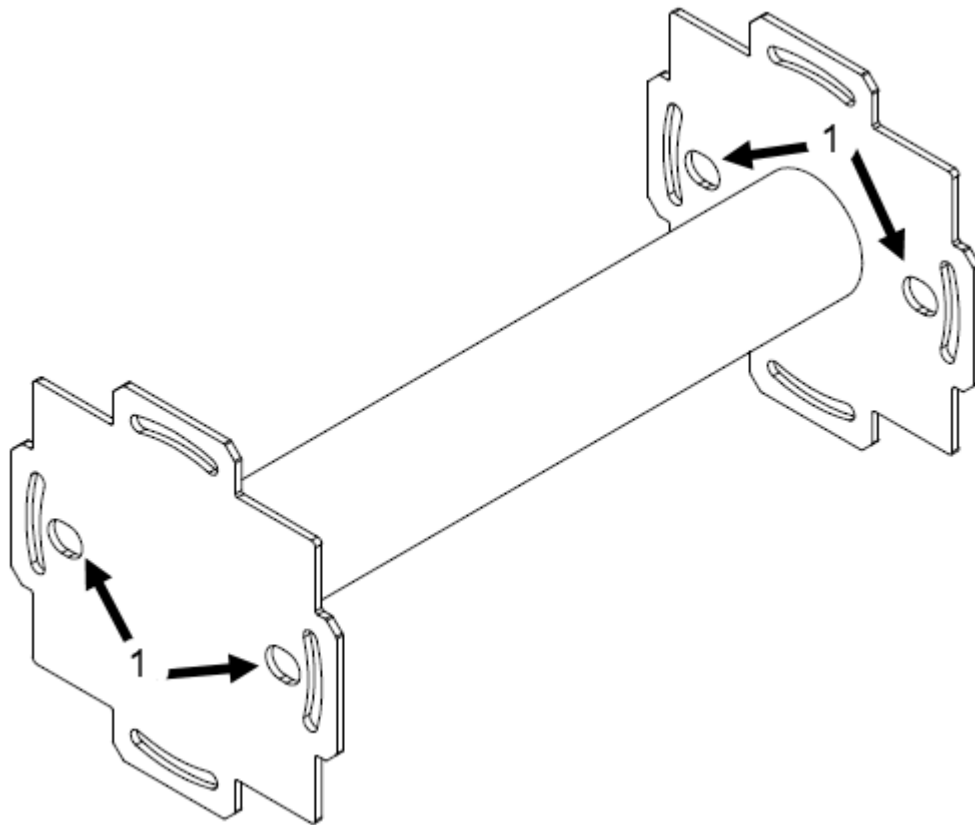


Figure 10: KT-1501730-01 extension arm

Callout	Description
1	Extension arm attachment holes

2. Attach one end of the KT-150173-01 extension arm to the access point using four M6 screws.

3. Attach the other end of the KT-150173-01 extension arm to the wall using four M6 hex-head screws.

Use screw-in anchors with the four M6 hex-head screws when you mount the bracket on a wood surface and use concrete anchors for concrete surface.

Install the Access Point on a Wall With the MBO-ART03 Bracket

Before You Begin

Obtain the items in the following table.

Table 14: Hardware requirements for MBO-ART03 articulating mounting bracket wall installation

Quantity	Item
1	Access point
1	MBO-ART03 articulating mounting bracket
6	M6 hex-head screws Two M6 hex-head screws for attaching the bracket and the access point. Four M6 hex-head screws for attaching the bracket to the wall.
2	Long M6 hex screws and nuts to lock each axis.

You also need a torque wrench and tool that matches the nuts for the M6 hex screws.

About This Task

Install the access point to a wall so it is secure and your customers can easily access your wireless network.

Procedure

1. Mark and drill four holes on the wall.
It is recommended that you use one of the bracket ends as a template. You can remove the end from the bracket.
2. Adjust the arm length.
The arm is set to a 7.5-inch extension. To increase it to a 9-inch extension, you move 1 pivot and lock screw to the outside holes on 1 bracket. To increase the extension to 10.5-inches, move both pivot and lock scerw pairs to the outside holes on each bracket
3. Attach the bracket to the access point with the M6 hex-head screws.
4. Align the bracket mounting holes with the holes on the wall.
5. Attach the bracket to the wall with the M6 hex-head screws.
6. Insert the locking bolts into the bracket and arm locking hole.
7. Attach the nuts and torque to 45 inch-pounds.
8. Tighten the pivot screws and nuts to 60 inch-pounds.

Install the Access Point on a Wall Using MBO-ART02 Articulating Mounting Bracket

About This Task



Note

The MBO-ART02 wall mount bracket is End of Sale (EOS) as of January, 2023. It is replaced by the MBO-ART03 bracket.

For more information, see [End of Sale and End Service Life](#).

Table 15: Hardware requirements for MBO-ART02 articulating mounting bracket wall installation

Quantity	Item
1	Access point
1	MBO-ART02 articulating mounting bracket
6	M6 hex-head screws Two M6 hex-head screws to attach the MBO-ART02 to the access point. Four M6 hex-head screws to attach the MBO-ART02 bracket to the wall.



Note

When using the MBO-ART02 articulating mounting bracket, set the minimum downward tilt to less than 20 degrees to prevent water ingress.

To install the access point on a wall:

Procedure

1. Using the MBO-ART02 articulating mounting bracket's shorter bracket end as a template, mark and drill four holes on the wall.

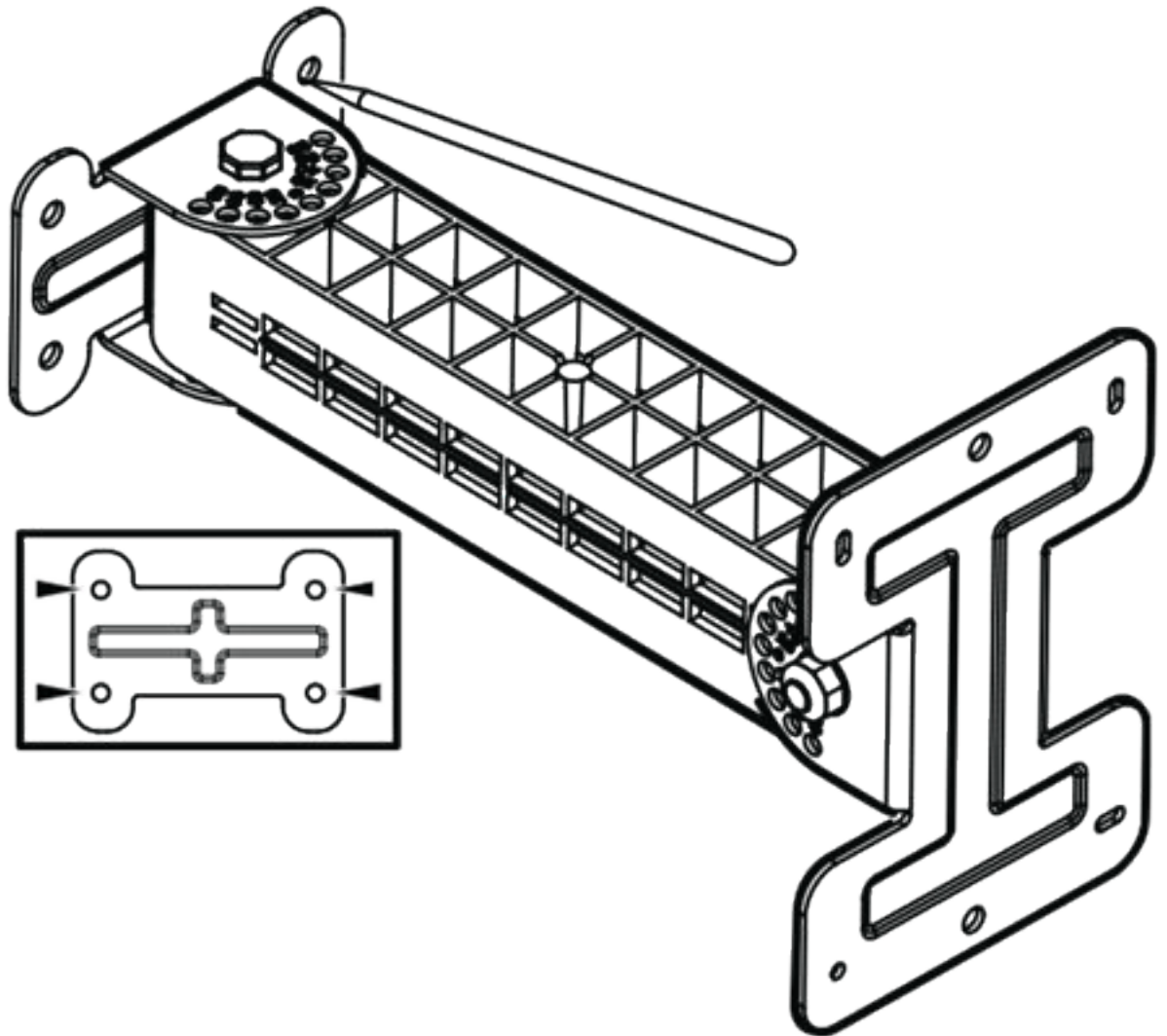


Figure 11: MBO-ART02 bracket template for attachment holes

2. Attach the MBO-ART02 to the access point using four M6 hex-head screws.
3. Align the mounting holes on the MBO-ART02 articulating mounting bracket against the holes on the wall and attach the bracket using four M6 hex-head screws.
4. Adjust the bracket angles.
5. Insert the lock screws and tighten their hex nuts.
6. Attach the AP to the large bracket.
7. Attach the LAN cables.

Install the Access Point on a Pole

Before You Begin

The access point is used with the KT-147407-02 bracket parts and either KT-150173-01 extension arm or MBO-ART03 for pole installation. The access point is mounted on a pole by attaching:

1. For +/- 15 degree tilt: All three parts of the KT-147407-02 bracket.
2. For +/-15 degree tilt with an extension: The KT-150173-01 extension arm with all the KT-147407-02 bracket parts.
3. For no-tilt: The pole bracket part of the KT-147407-02 bracket.
4. The MBO-ART03 with the pole part of the KT-147407-02 bracket.

The following hardware is required to install the access point on a pole:

- For tilt only: The Flat and tilt part of the KT-147407-02 bracket
- Pole part of the KT-147407-02 bracket
- 1-axis tilt bracket
- Six M6 screws
- Two hex-head M12 stainless-steel screws
- Two hex-heads M12 stainless-steel nuts
- Two M12 screws
- Two M12 hex nuts
- Two 0.5-inch wide stainless-steel cable clamps
- KT-150173-01 extension arm (Optional)
- MBO-ART-03 (Optional)



Note

You must provide M6 hex-head screws and screw-in anchors.



Note

The cable glands must face down when you install the access point on a pole.

Install the Access Point on a Pole Using KT-147407-02 Bracket Parts

Before You Begin

The following hardware is required for pole installation using KT-147407-02 bracket parts:

- Flat part of the KT-147407-02 bracket
- 1-axis tilt part of the KT-147407-02 bracket
- Pole part of the KT-147407-02 bracket
- Four M6 screws
- Two hex-head M12 stainless-steel screws
- Two hex-head M12 stainless-steel nuts

- Two 0.5 in. wide stainless-steel cable clamps
- One access point

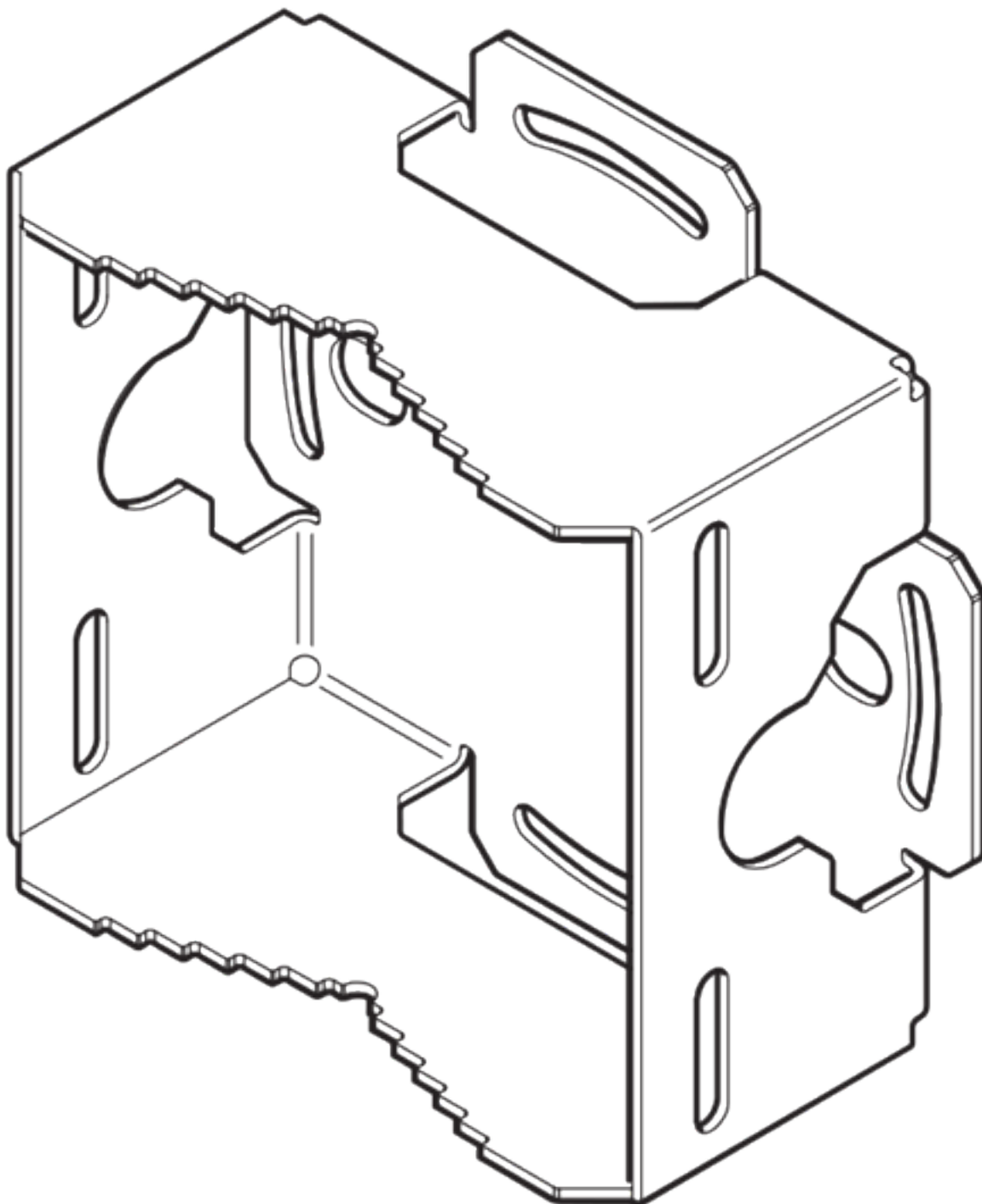


Figure 12: Pole part of the KT-147407-02 bracket

Procedure

1. Attach the KT-147407-02 flat part and 1-axis tilt part to the access point.
For instructions on how to attach the bracket parts, see [Install the Access Point on a Wall or Flat Surface Using the KT-147407-02 Bracket Parts](#) on page 31.
2. Attach the KT-147407-02 pole part to the 1-axis tilt bracket using two M12 bolts through the large bracket holes on the 1-axis tilt bracket and the pole bracket.
3. Fasten the bolts using two M12 hex nuts.

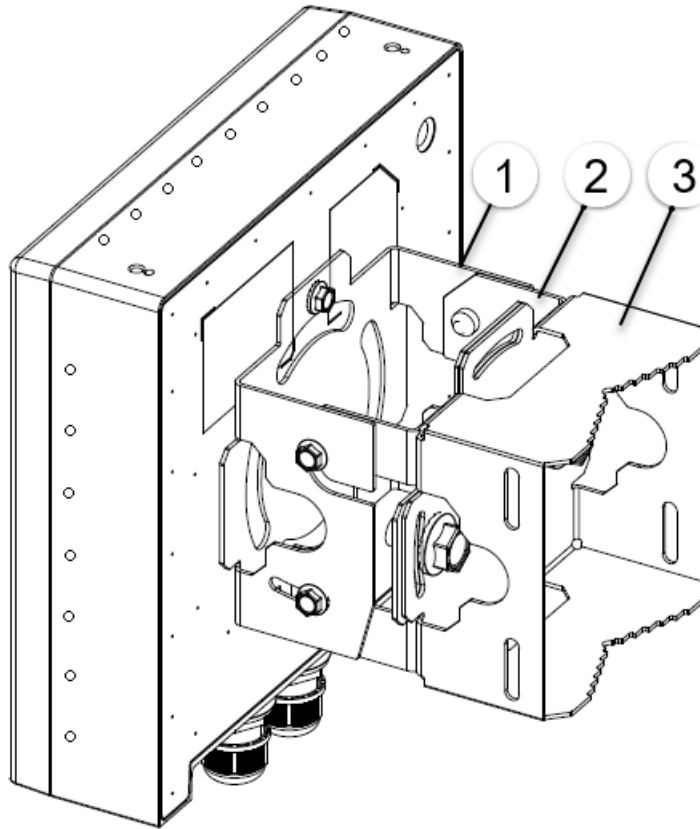


Figure 13: AP5050U access point with KT-147407-02 bracket parts

Callout	Description
1	Flat part of the KT-147407-02 bracket, with two holes on the metal surface
2	1-axis tilt bracket, with large holes on the surface
3	Pole bracket

4. Insert 0.5 in. stainless-steel cable clamp through the long slots on the pole bracket.
5. Position the cable clamps on the pole bracket around a pole and attach the pole bracket.
6. Insert the ends of the cable clamps around the pole and tighten the clamp screws to a torque of 11 in-lbs.

Install the Access Point on a Pole Using KT-147407-02 Bracket Parts and KT-150173-01 Extension Arm

Before You Begin

The following hardware is required for pole installation using KT-147407-02 bracket parts and KT-150173-01 extension arm:

- Flat part of the KT-147407-02 bracket
- 1-axis tilt part of the KT-147407-02 bracket
- Pole part of the KT-147407-02 bracket
- KT-150173-01 extension arm
- Six M6 screws
- Four hex-head M12 stainless-steel screws
- Four hex-head M12 stainless-steel nuts
- Two 0.5" wide stainless-steel cable clamps
- One access point

About This Task

Install the access point on a pole with all three KT-147407-02 bracket parts and KT-150173-01 extension arm

Procedure

1. Attach the flat part and the 1-axis tilt part of the KT-147407-02 bracket to the access point.
For instructions on how to attach the bracket parts, see [Install the Access Point on a Wall or Flat Surface Using the KT-147407-02 Bracket Parts](#) on page 31.
2. Align the circular holes on one end of the KT-150173-01 extension arm against the large holes on the 1-axis tilt bracket.
3. Attach the KT-150173-01 extension arm to the 1-axis tilt bracket by using two hex-head M12 stainless-steel screws and two hex-head M12 stainless-steel nuts.

4. Attach the KT-147407-02 pole part to the other end of the KT-150173-01 extension arm using two M12 screws and M12 hex-nuts.

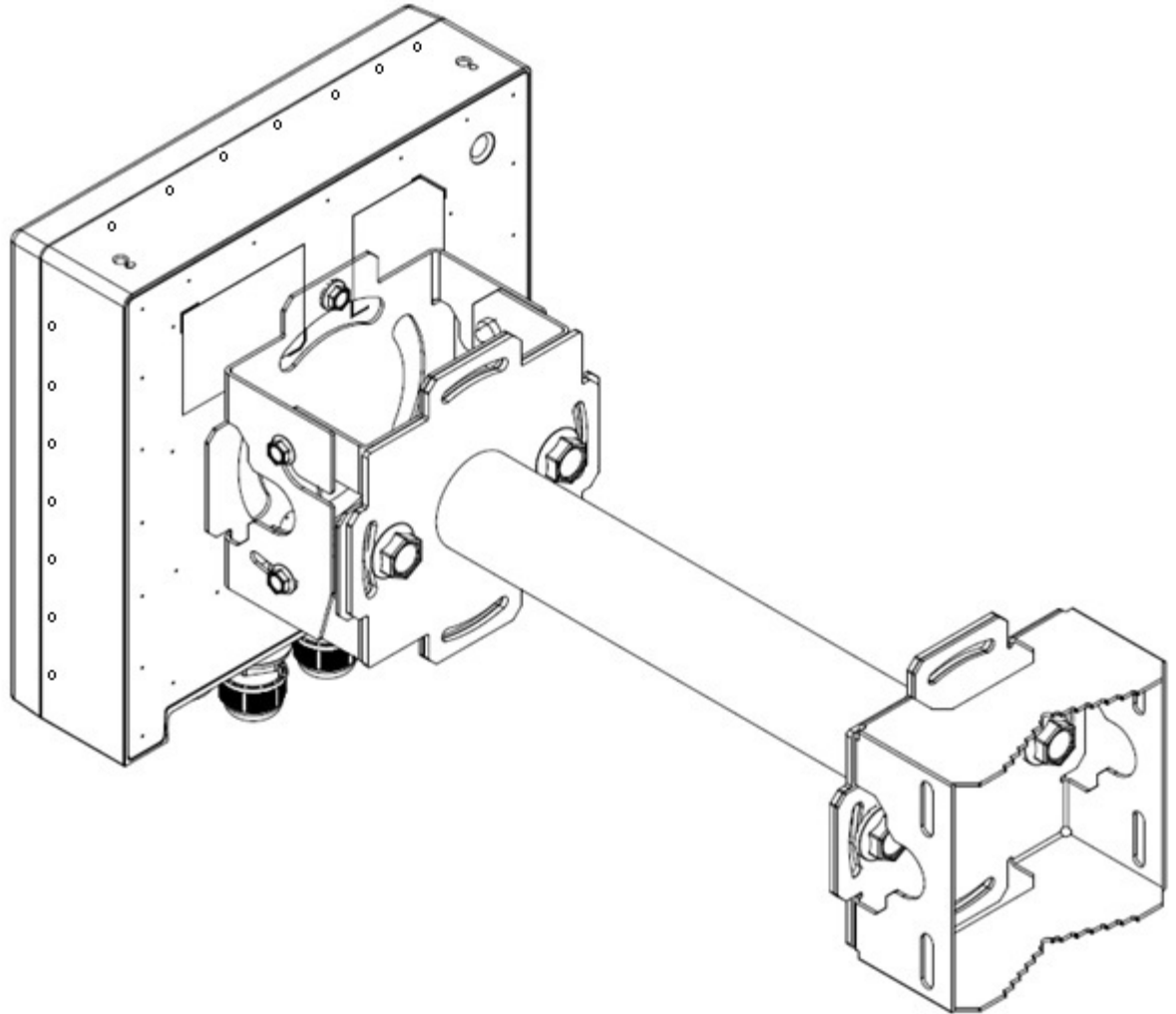


Figure 14: Attaching the KT-150173-01 extension arm to the 1-axis tilt part of the KT-147407-02 bracket

5. Insert 0.5 in. stainless-steel cable clamps through the KT-147407-02 pole part long slots.
6. Position the cable clamps around a pole and attach the pole bracket to a pole.
7. Insert the ends of the cable clamps around the pole and tighten the clamp screws to a torque of 11 in-lbs.

Mount the Access Point to a Pole using the Pole Part of the KT-147407-02 Bracket

Before You Begin

The following hardware is required for pole installation using KT-147407-02 pole bracket part to the access point:

- Pole part of the KT-147407-02 bracket
- Four M6 screws

- Two 0.5 in. wide stainless-steel cable clamps
- One access point

About This Task

The pole part of the KT-147407-02 bracket is attached to the access point for pole installation. To mount the access point to a pole using the KT-147407-02 pole bracket part:

Procedure

1. Attach the pole part of the KT-147407-02 bracket to the access point using four M6 screws.
Align the four hinges of the pole part of the KT-147407-02 bracket against the holes on the access point to attach the M6 screws.
2. Attach the pole bracket to a pole by following steps 5, 6, and 7 in [Install the Access Point on a Pole Using KT-147407-02 Bracket Parts and KT-150173-01 Extension Arm](#) on page 41.

Mount the Access Point to a Pole using the Pole Part of the KT-147407-02 Bracket and the KT-150173-01 Extension Arm

Before You Begin

The following hardware is required for pole installation using KT-147407-02 pole bracket part and the KT-150173-01 extension arm:

- Pole part of the KT-147407-02 bracket
- KT-150173-01 extension arm
- Four M6 screws
- Two hex-head M12 stainless-steel screws
- Two hex-head M12 stainless-steel nuts
- Two 0.5 in. wide stainless-steel cable clamps
- One access point

About This Task

The extension arm is used with the pole part of the KT-147407-02 bracket on the access point for pole installation. To mount the access point to a pole using the KT-147407-02 pole bracket part and the KT-150173-01 extension arm:

Procedure

1. Attach the KT-150173-01 extension arm to the access point using two M6 screws.
2. Attach the pole bracket part of the KT-147407-02 bracket to the other end of the KT-150173-01 bracket using two hex-head M12 stainless-steel screws and two hex-head M12 stainless-steel nuts.
3. Attach the pole bracket to a pole by following steps 5, 6, and 7 in [Install the Access Point on a Pole Using KT-147407-02 Bracket Parts and KT-150173-01 Extension Arm](#) on page 41.

Install the Access Point on a Pole with the MBO-ART03 and KT-147407-02 Brackets

Before You Begin

The following hardware is required to install your access point to a pole with the MBO-ART03 and KT-147407-02 brackets.

Table 16: Hardware Requirements

Quantity	Item
1	Access point.
1	KT-147407-02 bracket.
1	MBO-ART03 articulating mounting bracket.
2	M6 hex-head screws to attach the MBO-ART03 to the access point.
2	M6 screws with nuts and washers to attach KT-147407-02 to the MBO-ART03.
2	Long M6 Hex hex screws and nuts for providing an angular lock for each axis.
2	Cable clamps with a band of 0.5 in. (12.7 mm). Cable clamps must be purchased separately as they are not included.
1	Torque wrench with sockets.
1	Flat head screwdriver.

About This Task

You can install your access point to a pole if you do not want to drill into a concrete wall. With a pole, the access point coverage area can be greater because a pole is often higher than a wall.

Procedure

1. Attach the KT-147407-02 to the MBO-ART03 with two M6 screws, nuts, and washers.
2. Attach both cable clamps to the KT-147407-02 bracket.
You open the cable clamp by inserting the head of the flathead screwdriver into the retaining screw and turning the screw counterclockwise. Then insert the nonclamp end into the KT-147407-02 through the holes.
3. Attach the two brackets to the pole.
4. Tighten the cable clamp screw around the pole by turning the screws clockwise with a flathead screwdriver.
5. Attach the access point to the MBO-ART03 with two M6 hex-head screws.
6. Adjust the two pivot points until you are satisfied.
7. Insert the locking bolts into the bracket and arm locking hole.
8. Attach the nuts and torque to 45 inch-pounds.
9. Tighten the pivot screws and nuts to 60 inch-pounds.
10. Attach the safety hanger strap as per the local code.

11. Adjust the LAN cable so the access point glands have a drip loop in each cable.
The LAN cable must be located on the lower side for AP460i/e, AP560i, AP560h, AP5050D and AP5050U

Install the Access Point on a Pole Using MBO-ART02 Articulating Mounting Bracket and POLE01 Bracket

About This Task



Note

The MBO-ART02 wall mount bracket is End of Sale (EOS) as of January, 2023. It is replaced by the MBO-ART03 bracket.

For more information, see [End of Sale and End Service Life](#).

Attach the access point to a pole using the WS-MBO-POLE01 bracket on MBO-ART02 articulating mounting bracket.

Table 17: Hardware requirements for pole installation

Quantity	Item
1	Access point
1	MBO-ART02 articulating mounting bracket
2	M6 hex-head screws to attach the MBO-ART02 to the access point
1	WS-MBO-POLE01 bracket
4	M3 screws with nuts and washers to attach the WS-MBO-POLE01 bracket to the MBO-ART02 articulating mounting bracket
2	Cable clamps



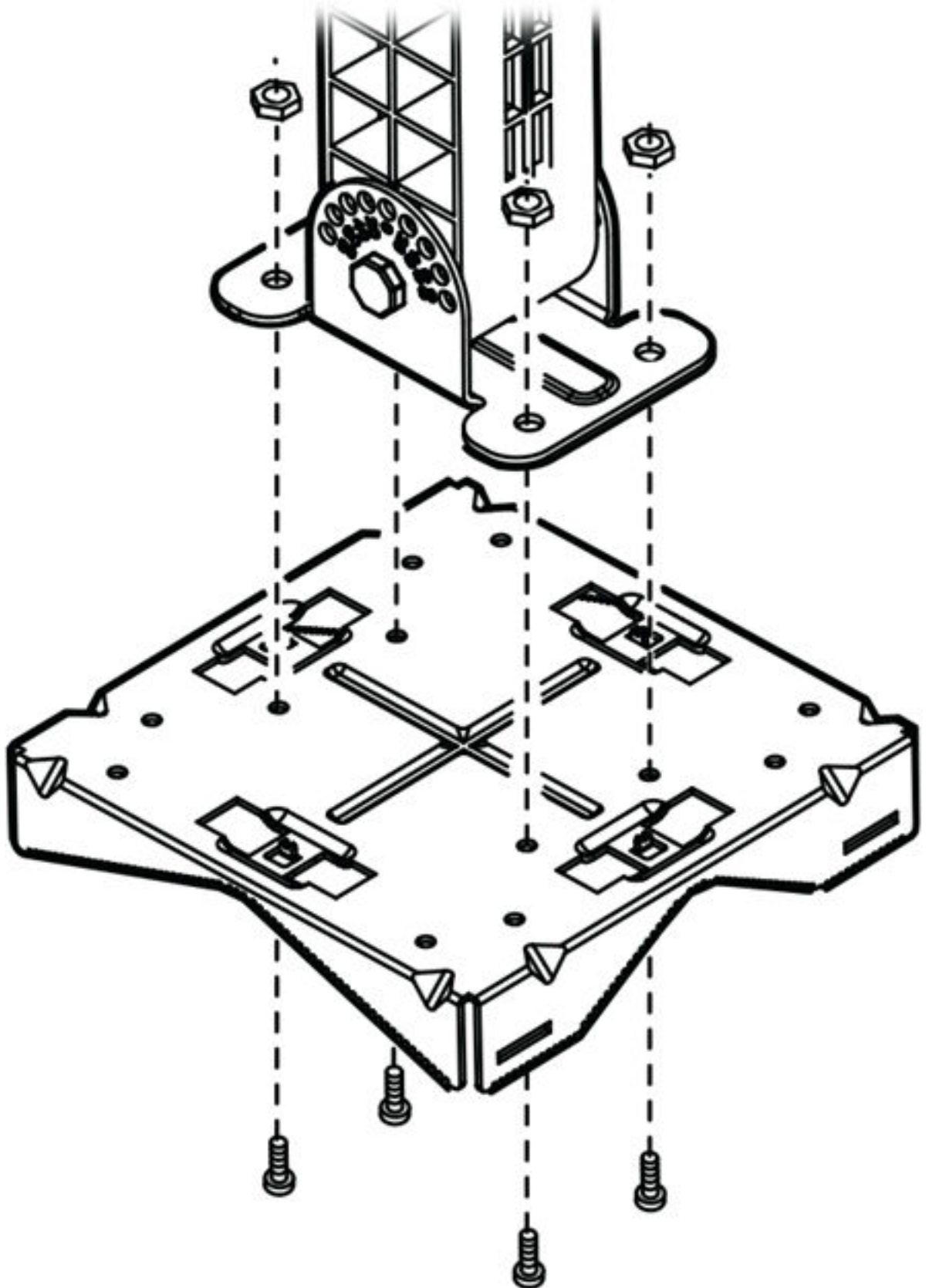
Note

You must provide stainless-steel cable clamps. The band must be 0.5 in. (12.7 mm) wide.

Procedure

1. Attach the MBO-ART02 articulating mounting bracket to the access point using two M6 hex-head screws.

2. Attach the WS-MBO-POLE01 bracket to the MBO-ART02 articulating mounting bracket using four M3 screws, nuts, and washers.



3. Attach both the cable clamps to the WS-MBO-POLE01 bracket.
Open the cable clamp by turning a flat bladed screwdriver counterclockwise. Then insert the non-clamp end into the pole bracket through the holes.
4. Put the metal band around the pole and attach the WS-MBO-POLE01 bracket to the pole.
5. Tighten the cable clamp screw clockwise, tightening the band around the pole.

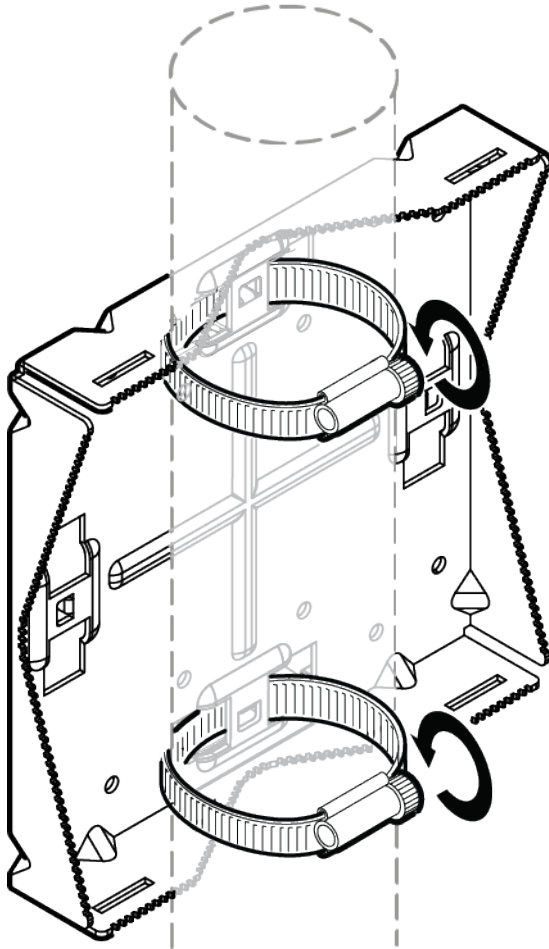


Figure 15: Tightening the cable clamps on the POLE01 bracket

Install the Access Point on a Unistrut Structure Using the MBO-ART03 Bracket

Before You Begin

The following hardware is required to install the MBO-ART03 bracket on a Unistrut structure:

- One MBO-ART03 bracket

The MBO-ART03 bracket ships with the following hardware:

- Two long screws
- Four short screws

- Four nuts



Note

For Unistrut installations, discard two of the short screws and nuts. Provide two M12 stainless steel bolts, hex nuts, and split washers.

About This Task

The MBO-ART03 bracket has +/- 80-degree (in 10-degree increments) 2-axis tilt and variable 7 inches to 10 inches extension. The bracket comes installed with M6 pivot screws.

It can be used on a wall, unistrut bracket or pole.

On the MBO-ART03 bracket's flat surface, there are three large holes for interfacing with the Unistrut metal frame. There are two smaller holes for M6 bolts for mounting to the KT brackets or a wall also. Each metal bracket on either end of the ART03 bracket has two bent sections with two pivot holes and serrated lock positions.

The length on the bent sections can be adjusted, if desired. Move the pivot points to increase the MBO-ART03 bracket's extension lengths to 7.5 in. to 9.0 in., or 10.5 in.

To adjust the MBO-ART03 bracket's extension:

1. Remove the pivot screw and nut.
2. Move the MBO-ART03 bracket arm's center hole to the other pivot hole on the bracket.
3. Insert the pivot screw through the bracket and the arm.
4. Attach the pivot nut to the screw.

Use a crescent wrench or a 13 mm tool to tighten the pivot screws and nuts.

5. Torque the screws and nuts to finger tightness.

Adjust the MBO-ART03 bracket's angular position

1. The horizontal and vertical adjustments can be made in 10 degree increments.

The increments are marked on the MBO-ART03 bracket.



Note

The access point glands should point downward to prevent water entry.

2. Rotate the arm to the desired position.
3. When the lock screw hole lines up with the appropriate serrated screw hole, insert the long M6 screw and fasten with a hex nut.
4. Torque the lock screws and nuts to 45 inch-lbs.
5. Torque the pivot screws and nuts to 60 inch-lbs.

The left to right adjustment can be made to any angle, with the access point having at least 1 in. clearance from another object.



Tip

The best practice is to make the vertical adjustment before attaching the access point to the MBO-ART03 bracket.

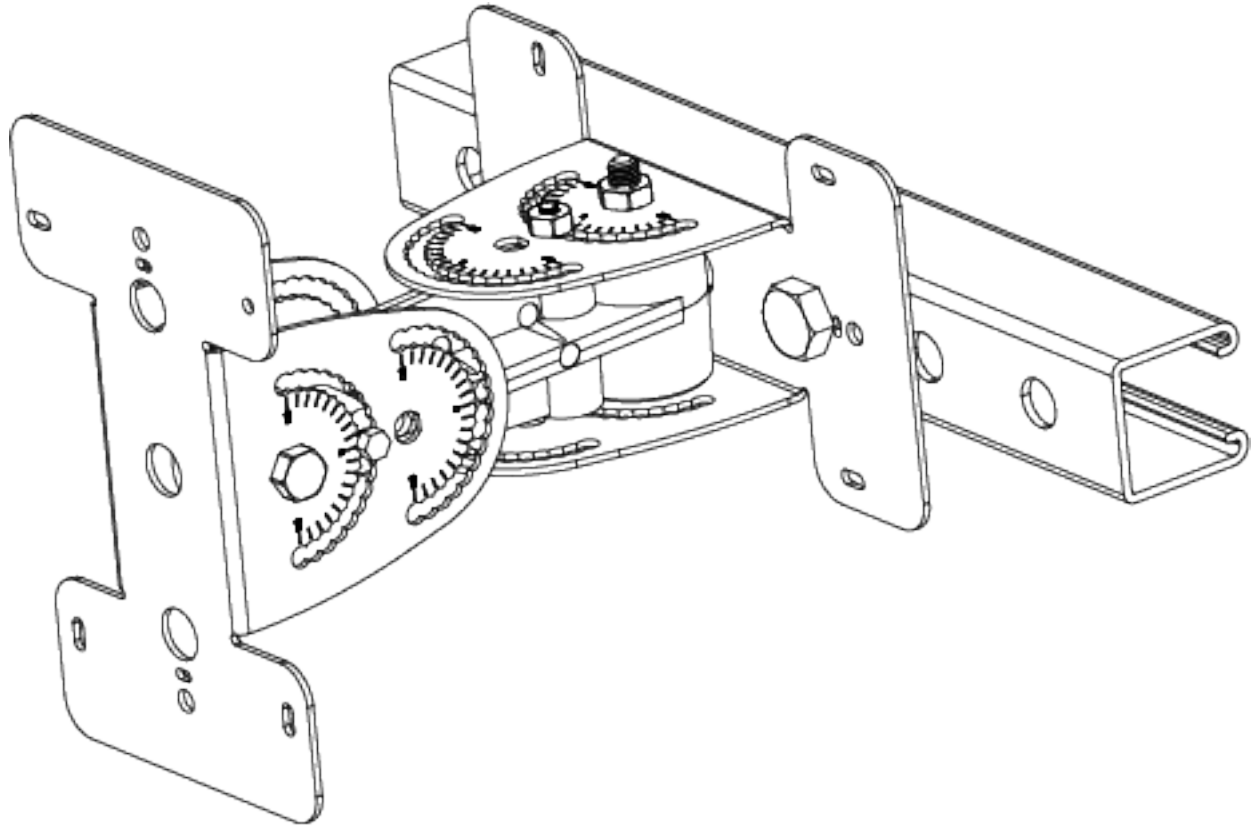


Figure 16: MBO-ART03 bracket angular adjustments

Install the EIO-03-SP Service Panel on an Access Point

About This Task

A service panel must be installed when the [access point is installed under-bench or on a riser](#).



Note

Close the bottom opening of the service panel when you have an access point on a riser. Otherwise water and debris collects in the panel and shortens its life. Use a plastic or metal covering that's at least 0.050 inches thick.



Tip

The best practice is to use one part clear super glue and two parts epoxy to hold the service panel cover in place. This helps provide some resistance during pressure washing.

**Note**

When installing the access point flat against a surface in a location that uses ice melt, the best practice is to apply an anti-seize material to the screws before attaching them to the access point metal base.

**Note**

When you mount the AP on a riser with the metal "L" bracket only and not with a large metal sloping bracket, it is recommended that you add a 3mm-thick stainless steel washer between the "L" brackets and the riser on all of the anchors. The washer provides proper drainage during storms.

Procedure

1. Attach the plastic service panel base to the access point using four, 75 mm service panel shoulder screws.

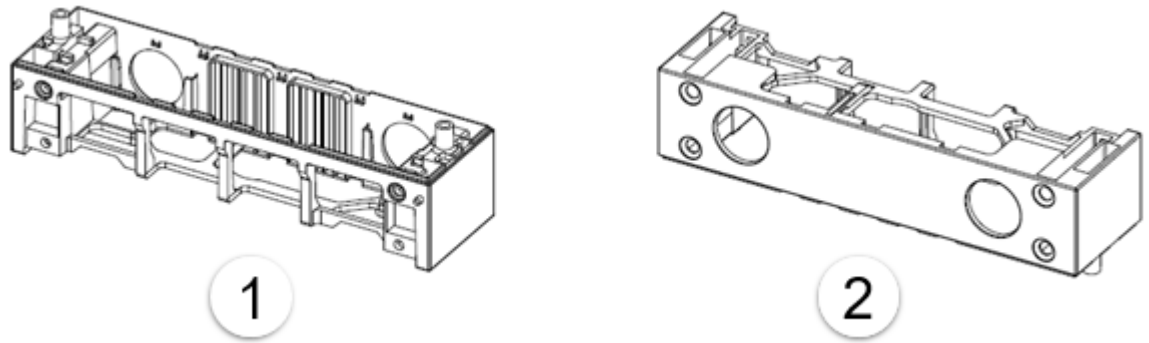


Figure 17: Plastic service panel base views

Callout	Description
1	Plastic service panel base
2	Side view of plastic service panel base

2. Torque the screws to 13 in-lbs.

- Place the service panel top over the service panel base and lock it into place using the captive screw.

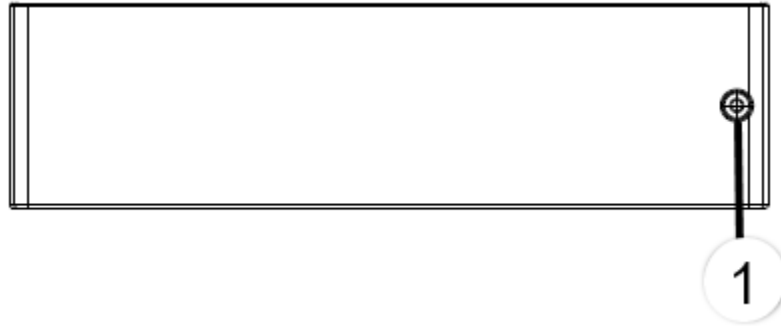


Figure 18: Plastic service panel top captive screw

Callout	Description
1	Plastic service panel top captive screw

- Tighten the captive screw to 4.5 in-lbs by hand.

Secure the Access Point after Installation

Details about installing a security cable on the access point after installation.

Before You Begin

The following hardware must be supplied by the user for safety cable installation:

- A 3 mm diameter security cable
- Lock to secure the ends of the security cable

About This Task

You can secure the access point to the mounting environment using a 3 mm diameter safety cable. The safety cable is used to enhance the physical security of the access point after installation.

Procedure

- Insert the safety cable through the security cable hole on the metal base of the access point.

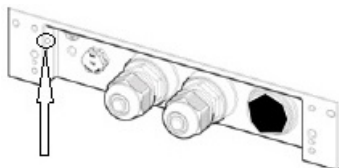


Figure 19: Security cable hole on the access point

- Push the cable through the security hole until you see it come out on the other side of the metal base.

3. Insert a lock through the looped ends of the cable and lock it in place.

Power or Pressure Washing Guidelines

Details about how to safely pressure wash the surface around the access point.

Before You Begin

Ensure that your pressure washing equipment fulfills the following specifications:

- Pressure washer Pounds per Square Inch (PSI) must be less than 4000.
- Do not use a nozzle with less than 15-degree washer tip.
- The pressure washing nozzle must be at least 24 in. away from the access point.

Cleaning solution specifications:

- Use only commercially available cleaning agents and solvents to clean the access point.
- Use only commercially available ice-melt products.



Warning

Do not use cleaning agents, solvents, and ice-melt products that are flammable, contain polycarbonate or rubber dissolving ingredients, uses refined petrochemical materials, and any other materials that can damage a concrete surface.



Note

Do not use the power washing equipment near power lines.



Note

Wear safety goggles with complete eye protection when using the power washing equipment.

About This Task

You can pressure wash the access point and the surface under a seat or a slope around the access point to remove dirt and debris.



Tip

The best practice is to follow the pressure washing guidelines for longevity of the access point parts.

Procedure

1. Use a prescribed pressure washing nozzle to wash the access point and the surface around it.
2. Keep the pressure washing nozzle at least 24 in. away from the access point.



Ground the Access Point

Learn how to safely ground the access point.

About This Task

Ground the outdoor access point for outdoor installations. A ground terminal is provided for lightning protection.



Note

Ground connection is not required for under seat or indoor deployments. The ground connector on the access point is not a protective earth ground.

To add ground connection to the access point:

Procedure

1. Attach the ring terminal to the ground wire.
2. Insert the ring terminal on the ground screw.
3. Thread the ground screw into the access point hole below the ground symbol.

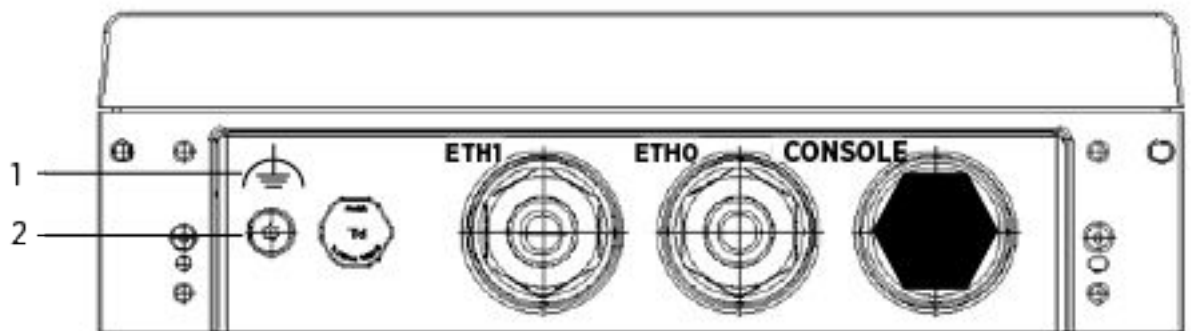


Figure 20: Ground port hole

Callout	Description
1	Ground symbol
2	Ground screw hole

4. Tighten the ground screw to 12 in-lbs.



Connect the ETH1 or ETH0 Cable through the Service Panel Base

About This Task

The ETH1 or ETH0 cable is connected through the side or bottom holes of the service panel base.

The following hardware is required to attach the ETH1 or ETH0 cable through the a hole of the service panel base:

- ETH1 or ETH0 cable
- ACC-CAT6-LAN-GSKT
- RJ-45 Plugs
- One flat-head M4 screws that's long enough to hold the service panel to the AP
- One blank conduit cover to close the front hole on the side of the service panel base
- One 3/4 in. or 1/2 in. conduit cover, depending on the circumference of the ETH1 or ETH0 conduit
- Service panel base
- Service panel top

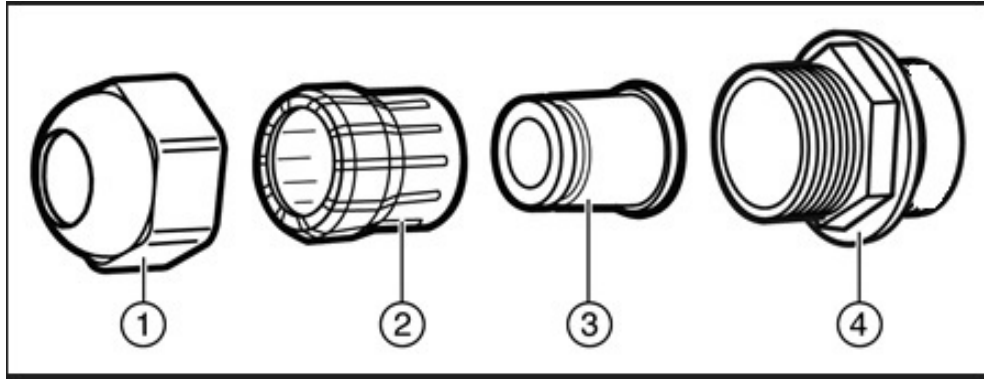


Figure 21: Cable Glands

Table 18: Cable Gland Descriptions

Number	Item	Description
1	Gland cap	Compresses the gland gasket and provides a water seal around the LAN cable when you insert a LAN cable into the access point. This part is removeable.
2	Gland cage	The gland cap pushes against the gland cage and compresses the LAN cable gasket. This part is removeable. Note that the cage has a slit for fitting the cage around the gasket. The non-separated end goes against the flat edge of the gasket.
3	Gland LAN cable gasket	The gasket has a slit for fitting the gasket around the LAN cable. It compresses around the cable and against the gland body so there is an IP67 or water seal around the cable. This gasket is removeable. Note: The acces point ships with two types of LAN cable gaskets - gray gaskets and black gaskets: <ul style="list-style-type: none"> • If the LAN cable is CAT5 or CAT5E then use the gray LAN cable gasket that is on the gland • If the LAN cable is CAT6 or CAT6A then use the black LAN cable gaskets that shipped in the bag marked ACC-CAT6-LAN-GSKT.
4	Gland body	Provides a IP67 or water seal to the access point. Note: Do not touch the gland body as you can damage it.

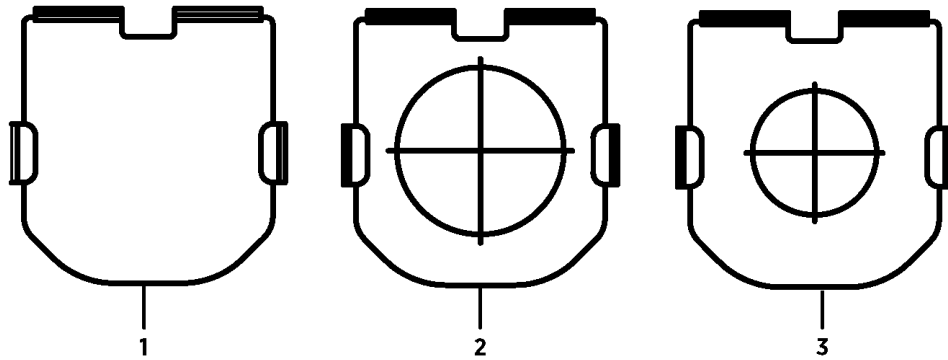


Figure 22: Metal Conduit Covers

Table 19: Conduit Cover Descriptions

Number	Description
1	Blank conduit cover to cover the front hole on the side of the service panel base
2	3/4 in. conduit cover
3	1/2 in. conduit cover

Procedure

1. Using the blank conduit cover, cover the front hole of the service panel base.
2. Attach either the 1/2-in. conduit cover or the 3/4-in. conduit cover to the rear hole of the service panel base
3. Bring in the ETH1 or ETH0 cable, and the ground wire through the rear side hole of the service panel base.
4. Loosely align the service panel base next to the metal sloping bracket, thereby leaving enough space to attach the ETH1 or ETH0 cable to the access point.
5. Attach the ground wire to the access point.
6. Remove the gland caps, plastic cage, and the gasket from the ETH0 port.



Note

Put the removed parts onto the LAN cable to be attached to the access point later.

7. Connect the ETH0 LAN cable through the ETH0 gland port until it clicks into place in the GE1 port.

If there is a ETH1 connection, insert the cable through the ETH1 gland until it locks into place in to the GE2 port.

8. Torque the gland cap to 12-in lbs.
9. Fold and arrange the ETH0 cable into the gap of the metal sloping bracket and the service panel base.

The ETH0 cable must not be bent sharply and must have 1 in. bend radius.

10. Connect the service panel to the access point with the four flat-head long stainless steel screws.

Tighten the screws to 13-inch pounds



Connect the ETH1 or ETH0 Cable through the Metal Sloping Bracket

Learn how to connect the ETH1 or ETH0 cable through the large conduit hole on the metal sloping bracket.

About This Task

The following hardware is required to attach the ETH1 or ETH0 cable through the large conduit hole on the metal sloping bracket:

- ETH1 or ETH0 cable
- Two blank conduit covers to cover the front and the rear holes on the side of the service panel base
- One metal sloping bracket



Note

The conduit cover used on the metal sloping bracket can extend above the concrete floor but, cannot extend above the slope.

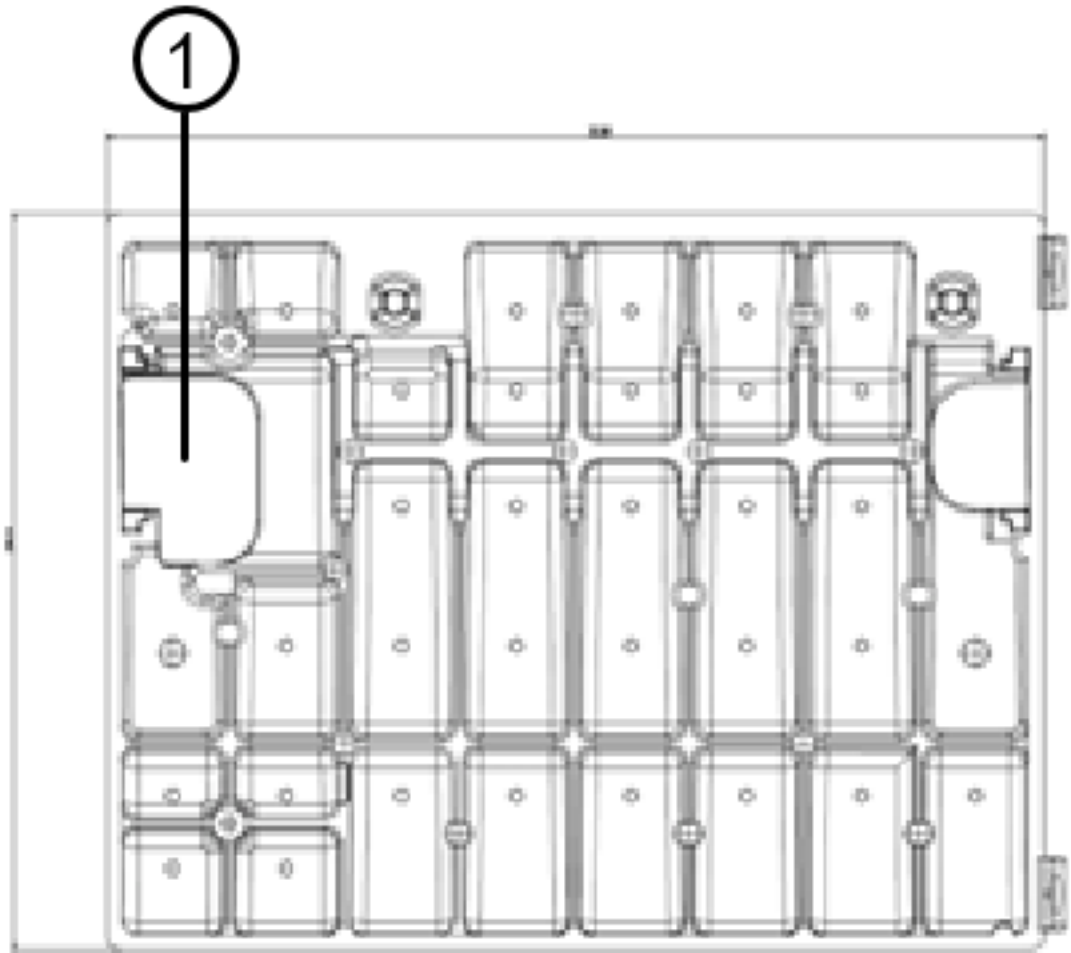


Figure 23: Metal sloping bracket with large conduit hole

Callout	Description
1	Large conduit hole on the metal sloping bracket

Procedure

1. Attach the metal sloping bracket to the concrete floor using two anchors, nuts, and washers.
2. Attach the conduit to the metal sloping bracket.
3. Bring in the ETH1 or ETH0 cable through the conduit hole.
4. Remove the gland cap, plastic cage, and the gasket from the ETH1 port.



Note

Put the removed parts onto the LAN cable to be attached to the access point later.

5. Connect the ETH0 LAN cable through the ETH0 port until it clicks into place.
If there is a ETH1 connection, insert the cable through the ETH1 gland until it locks into place into the ETH1 port.
6. Torque the gland cap to 12-in lbs.
7. Fold and arrange the ETH0 cable into the gap of the metal sloping bracket and the service panel base.



Regulatory and Compliance Information

[Safety Guidelines](#) on page 61

[Professional Installation Instruction](#) on page 62

[FCC Notice \(Part 15 - Class B\)](#) on page 63

[FCC Radiation Exposure Statement](#) on page 63

[Industry Canada Notice](#) on page 64

[United Kingdom \(UK\) and European Union \(EU\) Radiation Warning Statement](#) on page 65

[Thailand Regulatory Notice](#) on page 65

[Taiwan Regulatory Statement](#) on page 66

[Mexico Regulatory Information](#) on page 66

[Brazil Regulatory Statement](#) on page 66

[Extreme Networks UK Address](#) on page 67

[Extreme Networks EU Importer Address](#) on page 67

[European Waste Electrical and Electronic Equipment \(WEEE\) Notice](#) on page 67

[Declaration of Conformity in Languages of the European Community](#) on page 68

Learn about safety guidelines, compliance notices, and regulatory information pertaining to various countries in which the device can be used.

Safety Guidelines

The following safety guidelines are intended to protect your personal safety and prevent damage to the equipment.



Important

Only qualified personnel must perform installation procedures. Within the context of the safety notes in this documentation, qualified persons are defined as persons who are authorized to commission grounding, label devices, systems, and circuits in accordance with established safety practices and standards. A qualified person understands the requirements and risks involved with installing outdoor electrical equipment in accordance with national codes.

Professional Installation Instruction

Professional Installation Instruction

Installation personnel

This product is designed for specific application and needs to be installed by a qualified personnel who has RF and related rule knowledge. The general user shall not attempt to install or change the setting.

External antenna

Use only approved antennas. The non-approved antennas can produce unwanted spurious or excessive RF transmitting power which can lead to the violation of FCC/IC limit and is prohibited.

Installation procedure

Refer to the installation instructions for details.



Warning

Select the installation position and ensure that the final output power does not exceed the limit set forth in relevant rules. The violation of the rule could lead to serious federal penalty.

Instructions d'installation professionnelle

Installation

Ce produit est destiné à un usage spécifique et doit être installé par un personnel qualifié maîtrisant les radiofréquences et les règles s'y rapportant. L'installation et les réglages ne doivent pas être modifiés par l'utilisateur final.

Antenne externe

Utilisez uniquement des antennes approuvées. Les antennes non approuvées peuvent produire des puissances de transmission RF parasite ou excessive pouvant entraîner la violation de FCC/IC limite et est interdit.

Procédure d'installation

Consulter le manuel d'utilisation.



Warning

Avertissement: Choisir avec soin la position d'installation et s'assurer que la puissance de sortie ne dépasse pas les limites en vigueur. La violation de cette règle peut conduire à de sérieuses pénalités fédérales.

FCC Notice (Part 15 - Class B)

This device complies with Part 15 of the FCC rules. Operation is subject to the following two conditions: (1) this device may not cause harmful interference, and (2) this device must accept any interference received, including interference that may cause undesired operation.



Note

This equipment has been tested and found to comply with the limits for a class B digital device, pursuant to Part 15 of the FCC rules. These limits are designed to provide reasonable protection against harmful interference when the equipment is operated in a commercial environment. This equipment uses, generates, and can radiate radio frequency energy and if not installed in accordance with the operator's manual, may cause harmful interference to radio communications. However, there is no guarantee that interference will not occur in a particular installation. If this equipment does cause harmful interference to radio or television reception, which can be determined by turning the equipment off and on, the user is encouraged to try to correct the interference by one of the following measures:

- Reorient or relocate the antenna of the receiving devices.
- Increase the separation between this equipment and receiving equipment.
- Connect this equipment into an outlet on a circuit different from that to which the receiving equipment is connected.
- Consult the dealer or an experienced radio or TV technician for help.



Warning

Changes or modifications made to this device which are not expressly approved by the party responsible for compliance could void the user's authority to operate the equipment.

FCC Radiation Exposure Statement

This transmitter must not be co-located or operating in conjunction with any other antenna or transmitter.

This device meets all the other requirements specified in Part 15C, Section 247 and Part 15E, Section 15.407 of the FCC Rules.



Warning

FCC Radiation Exposure Statement: This equipment complies with FCC radiation exposure limits set forth for an uncontrolled environment. This device has been tested and meets applicable limits for Radio Frequency (RF) exposure.

This device was tested with a separation distance of 25 mm. Always keep the device away from your body to ensure exposure levels remain at or below the tested levels.

Industry Canada Notice

This device contains licence-exempt transmitter(s)/receiver(s) that comply with Innovation, Science and Economic Development Canada's licence-exempt RSS(s). Operation is subject to the following two conditions:

- This device may not cause interference.
- This device must accept any interference, including interference that may cause undesired operation of the device.

Cet appareil contient des émetteurs / récepteurs exempts de licence qui sont conformes au (x) RSS (s) exemptés de licence d'Innovation, Sciences et Développement économique Canada. L'opération est soumise aux deux conditions suivantes:

- Cet appareil ne doit pas provoquer d'interférences.
- Cet appareil doit accepter toute interférence, y compris les interférences susceptibles de provoquer un fonctionnement indésirable de l'appareil.

For product available in the USA/Canada market, only channel 1~11 can be operated. Selection of other channels is not possible.

Pour les produits disponibles aux États-Unis / Canada du marché, seul le canal 1 à 11 peuvent être exploités. Sélection d'autres canaux n'est pas possible.

The device for operation in the band 5150–5250 MHz is only for indoor use to reduce the potential for harmful interference to co-channel mobile satellite systems.

les dispositifs fonctionnant dans la bande 5150-5250 MHz sont réservés uniquement pour une utilisation à l'intérieur afin de réduire les risques de brouillage préjudiciable aux systèmes de satellites mobiles utilisant les mêmes canaux.



Warning

This EUT is compliance with SAR for general population/uncontrolled exposure limits in IC RSS-102 and had been tested in accordance with the measurement methods and procedures specified in IEEE 1528.



Warning

IC Déclaration d'exposition aux radiations: Cet EUT est conforme au SAR pour les limites d'exposition de la population générale / non contrôlée dans IC RSS-102 et a été testé conformément aux méthodes et procédures de mesure spécifiées dans IEEE 1528.



Warning

IC Radiation Exposure Statement: This device has been tested and meets applicable limits for Radio Frequency (RF) exposure. This device was tested with a separation distance of 31 mm. Always keep the device away from your body to ensure exposure levels remain at or below the tested levels.



Warning

Cet appareil a été testé et respecte les limites applicables en matière d'exposition aux radiofréquences (RF). Cet appareil a été testé avec une distance de séparation de 25 mm. Gardez toujours l'appareil éloigné de votre corps pour vous assurer que les niveaux d'exposition restent égaux ou inférieurs aux niveaux testés.

United Kingdom (UK) and European Union (EU) Radiation Warning Statement

The device is restricted to indoor use only when operating in the 5150 MHz to 5350 MHz, 5945 MHz to 6425 MHz frequency range.

	AT	BE	BG	HR	CY	CZ	DK
	EE	FI	FR	DE	EL	HU	IE
	IT	LV	LT	LU	MT	NL	PL
	PT	RO	SK	SI	ES	SE	UK (NI)

The frequency and the maximum transmitted power in EU and UK are listed below:

AP5050U EU	AP5050U UK
2400-2483.5MHz: 19.97 dBm	2400-2483.5MHz: 19.97 dBm
2400-2483.5MHz (LE): 8.71 dBm	2400-2483.5MHz(LE): 8.71 dBm
2400-2483.5MHz (802.15.4): 8.82dBm	2400-2483.5MHz (802.15.4): 8.82 dBm
5150-5250MHz: 22.91 dBm	5150-5250MHz: 22.91 dBm
5250-5350MHz: 22.86 dBm	5250-5350MHz: 22.86 dBm
5470-5725MHz: 27.08 dBm	5470-5725MHz: 27.08 dBm
5725-5850MHz(EN 300 440): 13.96 dBm	5725-5850MHz: 22.97 dBm



Warning

This device has been tested and meets applicable limits for Radio Frequency (RF) exposure.

EU: The highest SAR value: 2.761 W/kg.

UK: The highest SAR value: 0.348 W/kg. This device was tested with a separation distance of 25 mm.

Always keep the device away from your body to ensure exposure levels remain at or below the as-tested levels.

Thailand Regulatory Notice

สีกไฟฟ้าตามมาตรฐานความปลอดภัยสำหรับการใช้อุปกรณ์สื่อสารทางวิทยุต่อสุขภาพของมนุษย์ที่ประกาศโดยคณะกรรมการ โท

รคมนาณคแห่งชาดิ

SAR Statement

เครื่องวิทยุคมนาคมนี้มีอัตราการดูดกลืนพลังงานเฉพาะ (Specific Absorption Rate - SAR) อันเนื่องมาจากเครื่องวิทยุคมนาคมเท่ากับ 2.761 W/kg ซึ่งสอดคล้องตามมาตรฐานความปลอดภัยต่อสุขภาพของมนุษย์จากการใช้เครื่องวิทยุคมนาคมที่คณะกรรมการกิจการโทรคมนาคมแห่งชาติประกาศกำหนด



Taiwan Regulatory Statement

取得審驗證明之低功率射頻器材，非經核准，公司、商號或使用者均不得擅自變更頻率、加大功率或變更原設計之特性及功能。

低功率射頻器材之使用不得影響飛航安全及干擾合法通信；經發現有干擾現象時，應立即停用，並改善至無干擾時方得繼續使用。

前述合法通信，指依電信管理法規定作業之無線電通信。

低功率射頻器材須忍受合法通信或工業、科學及醫療用電波輻射性電機設備之干擾。

應避免影響附近雷達系統之操作。

請至此連結 www.extremenetworks.com/support/documentation/ 讀中文說明。

ExtremeWireless 802.11ax Wi-Fi 6E 室外 AP5050U 無線接入點

無線電：3 個無線電 (2.4GHz、5 GHz 和 6 GHz); 1 個物聯網無線電 (BLE/802.15.4)

Mexico Regulatory Information

La operación de este equipo está sujeta a las siguientes dos condiciones:

- (1) Es posible que este equipo o dispositivo no cause interferencia perjudicial y
- (2) Este equipo o dispositivo debe aceptar cualquier interferencia, incluyendo la que pueda causar su operación no deseada.

Brazil Regulatory Statement

Este equipamento não tem direito à proteção contra interferência prejudicial e não pode causar interferência em sistemas devidamente autorizados. Para maiores informações, consulte o site da ANATEL – www.anatel.gov.br.

O uso deste equipamento é restrito a ambientes fechados e proibido em plataformas petrolíferas, carros, trens, embarcações e no interior de aeronaves abaixo de 3.048 m (10.000 pés).

O produto poderá operar na faixa de 5150-5350MHz somente em ambientes fechado (indoor).

Extreme Networks UK Address

Extreme Networks, UK Ltd.

250 Longwater Avenue Green Park

1st Floor

Reading, UK

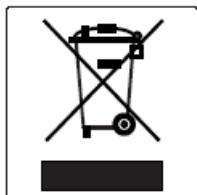
Extreme Networks EU Importer Address

Extreme Networks, Ireland Ops Ltd.

Rineanna House Shannon Industrial Estate

Shannon, V14CA36 Ireland

European Waste Electrical and Electronic Equipment (WEEE) Notice



In accordance with Directive 2012/19/EU of the European Parliament on waste electrical and electronic equipment (WEEE):

1. The symbol above indicates that separate collection of electrical and electronic equipment is required.
2. When this product has reached the end of its serviceable life, it cannot be disposed of as unsorted municipal waste. It must be collected and treated separately.
3. It has been determined by the European Parliament that there are potential negative effects on the environment and human health as a result of the presence of hazardous substances in electrical and electronic equipment.
4. It is the user's responsibility to utilize the available collection system to ensure WEEE is properly treated.

For information about the available collection system, please contact Extreme Environmental Compliance at Green@extremenetworks.com.

Declaration of Conformity in Languages of the European Community

English	Hereby, Extreme Networks declares that the radio equipment type (AP5050U) is in compliance with Radio Equipment Regulations 2017 and Directive 2014/53/EU. For full text of the EU Declaration of Conformity, contact Extreme Regulatory Compliance at compliancerequest@extremenetworks.com
Finnish	Valmistaja Extreme Networks vakuuttaa täten että Radio LAN device (AP5050U) tyyppinen laite on Radiolaitteiden määräykset 2017 ja direktiivin 2014/53/EU oleellisten vaatimusten ja sitä koskevien direktiivin muiden ehtojen mukainen. EU-vaatimusten mukaisuusvaatimuksen täydellisestä tekstistä ota yhteyttä äärimmäisiin säädösten noudattamiseen osoitteessa compliancerequest@extremenetworks.com
Dutch	Hierbij verklaart Extreme Networks dat het toestel Radio LAN device (AP5050U) in overeenstemming is met de essentiële eisen en de andere relevante bepalingen van Regelgeving radioapparatuur 2017 en richtlijn 2014/53/EU. Neem voor de volledige tekst van de EU-conformiteitsverklaring u contact opnemen met extreme regelgeving op compliancerequest@extremenetworks.com
French	Par la présente Extreme Networks déclare que l'appareil Radio LAN device (AP5050U) est conforme aux exigences essentielles et aux autres dispositions pertinentes de la Règlement sur les équipements radio 2017 et directive 2014/53/EU. Pour obtenir le texte intégral du processus de Déclaration de la conformité de l'UE, veuillez contacter la conformité réglementaire extrême à l'adresse suivante: compliancerequest@extremenetworks.com

Swedish	Härmed intygar Extreme Networks att radioutrustningstypen (AP5050U) överensstämmer med de väsentliga egenskapskrav och övriga relevanta bestämmelser som framgår av Radioutrustningsföreskrifter 2017 och direktiv 2014/53/ EU. För fullständig text av EU-försäkran om överensstämmelse, kontakta Extreme regelefterlevnad på compliance@extremenetworks.com
Danish	Undertegnede Extreme Networks erklærer herved, at følgende udstyr Radio LAN device (AP5050U) overholder de væsentlige krav og øvrige relevante krav i Radioudstørsforskrifter 2017 og direktiv 2014/53/EU. For den fulde ordlyd af EU-overensstemmelseserklæringen bedes du kontakte Extreme Regulatory Compliance på compliance@extremenetworks.com
German	Hiermit erkläre Extreme Networks die Übereinstimmung des "WLAN Wireless Controller bzw. Access Points" (AP5050U) mit den grundlegenden Anforderungen und den anderen relevanten Festlegungen der Funkgeräteverordnung 2017 und Richtlinie 2014/53/EU. Für den vollständigen Wortlaut der EU-Konformitätserklärung wenden Sie sich bitte an extreme Regulatory Compliance unter compliance@extremenetworks.com
Greek	ΜΕ ΤΗΝ ΠΑΡΟΥΣΑ Extreme Networks ΔΗΛΩΝΕΙ ΟΤΙ Radio LAN device (AP5050U) ΣΥΜΜΟΡΦΩΝΕΤΑΙ ΠΡΟΣ ΤΙΣ ΟΥΣΙΩΔΕΙΣ ΑΠΑΙΤΗΣΕΙΣ ΚΑΙ ΤΙΣ ΛΟΙΠΕΣ ΣΧΕΤΙΚΕΣ ΔΙΑΤΑΞΕΙΣ ΤΗΣ ΟΔΗΓΙΑΣ 2014/53/EU. Για το πλήρες κείμενο της δήλωσης συμμόρφωσης ΕΕ, παρακαλούμε επικοινωνήστε με την ακραία κανονιστική συμμόρφωση στο compliance@extremenetworks.com

Icelandic	<p>Extreme Networks lýsir her með yfir að thessi bunadur, Radio LAN device (AP5050U), uppfyllir allar grunnkröfur, sem gerðar eru í R&TTE tilskipun Κανονισμοί Ραδιοεξοπλισμού 2017 και ΕSB nr 2014/53/EU. Fyrir fullan texta í ΕSB yfirlýsingu um samræmi, vinsamlegast hafðu samband við Extreme Reglufylgni á compliancerequest@extremenetworks.com</p>
Italian	<p>Con la presente Extreme Networks dichiara che questo Radio LAN device (AP5050U) è conforme ai requisiti essenziali ed alle altre disposizioni pertinenti stabilite dalla direttiva 2014/53/EU. Per il testo integrale della Dichiarazione di conformità dell'UE, contattare Extreme Regulatory Compliance presso compliancerequest@extremenetworks.com</p>
Spanish	<p>Por medio de la presente Extreme Networks declara que el Radio LAN device (AP5050U) cumple con los requisitos esenciales y cualesquiera otras disposiciones aplicables o exigibles de la Regulamenti sulle apparecchiature radio 2017 eDirectiva 2014/53/EU. Para obtener el texto completo de la Declaración de conformidad de la UE, póngase en contacto con Extreme Regulatory Compliance en compliancerequest@extremenetworks.com</p>

Portuguese	Extreme Networks declara que este Radio LAN device (AP5050U) está conforme com os requisitos essenciais e outras disposições da Regulamentos de Equipamentos de Rádio 2017 e Directiva 2014/53/EU. Para o texto integral da declaração de conformidade da UE, contacte a conformidade regulamentar extrema em compliancerequest@extremenetworks.com
Malti	Hawnhekk, Extreme Networks, jiddikjara li dan Radio LAN device (AP5050U) jikkonforma mal-htigijiet essenzjali u ma provvedimenti oħrajn rilevanti li hemm fid-Regolamenti tal-2017 dwar it-Tagħmir tar-Radju u Dirrettiva 2014/53/EU. Għat-test sħiħ tad-dikjarazzjoni ta' konformità tal-UE, jekk jogħġbok ikkuntattja lill-konformità regolatorja compliancerequest@extremenetworks.com



Index

Numerics

30520(WS-MBO-POLE01)
mounting options 23

A

access point features 11
access point LED status 14
access point overview 9
announcements 7
AP5050U access point overview 9
AP5050U features 11
AP5050U supported accessories 12

B

Brazil Regulatory Statement 66

C

connect the ETH1 or ETH0 cable
ETH0 cable 54
ETH1 cable 54
conventions
notice icons 5
text 5

D

documentation
feedback 8
location 6

E

EIO-04 under-seat bracket
mount on a flat surface 28
mount under a seat 25
mounting options 23
ETH0 conduit bracket connection 58
ETH1 conduit bracket connection 58
EU importer address 67
EU radiation warning 65

F

feedback 8
flat surface installation
EIO-04 install 28

G

ground connection
ground screw 53
ground screw hole
lightning protection 53

I

industry Canada notice 64
Install the Access Point
box contents 19
do's and don'ts 20, 21
how-to-install the access point 19
mounting options 23
on a pole 38
on a unistrut with MBO-ART03
47
on a wall 30
purchase order information 19
safety guidelines 19
under-seat 24

K

KT-147407-02 bracket
mount on a pole 38
mount on a pole with KT-150173-01 41
mount on a pole with MBO-Art03 bracket
44
mounting options 23
KT-150173-01 bracket
mount on a pole with KT-147407-02 bracket 41
mounting options 23

L

LED activity 14
LED status activity 14

M

MBO-Art02 bracket
mount on a pole with POLE01 bracket 45
mounting options 23
MBO-Art03 bracket
mount on a pole with KT-147407-02 bracket 44
mount on a unistrut 47
mounting options 23
Mexico Regulatory Information 66

micro USB console port 14

Mount on a pole

- with the KT-147407-02 bracket and KT-150173-01 extension 41

- with the MBO-ART03 and KT-147407-02 44

mount on a pole with MBO-Art02 bracket 45

Mount on a Unistrut with MBO-Art03 bracket 47

Mount on a wall

- with the KT-147407-02 31

- with the KT-147407-02 and KT-150173-01 32

- with the KT-150173-01 34

- with the the MBO-ART02 36

- with the the MBO-ART03 35

Mount under a seat

- with the EIO-04 on a flat surface 28

- with the EIO-04 Under-Seat Slope Bracket 25

Mounting options 23

N

New in this Guide 9, 10

notices 5

O

order information

- AP5050U order information 15–18

- EIO-04 order information 15–18

- KT-147407-02 order information 15–18

- KT-150173-01 extension arm order information 15–18

P

pole installation

- ART02 on POLE01 bracket 45

- KT-147407-02 bracket parts 38

- MBO-Art03 and and KT-147407-02 brackets 44

pole installation using KT-150173-01 extension arm 41

power profile 13

pressure wash

- nozzle information 52

- safety guidelines 52

product announcements 7

professional install 62

R

radiation exposure statement 63

S

safety guidelines 61

secure the access point

- safety cable installation 51

service panels installation 49

support, *see* technical support

T

Taiwan regulatory information 66

technical support

- contacting 7

U

UK address 67

UK radiation warning 65

W

wall install

- ART02 articulating mounting bracket install 36

- ART03 articulating mounting bracket install 35

wall installation

- wall install using KT-147407-02 and KT-150173-01 extension arm 32

Wall installation

- wall installation using KT-147407-02 bracket 31

warnings 5

WS-MBO-POLE01 bracket 44