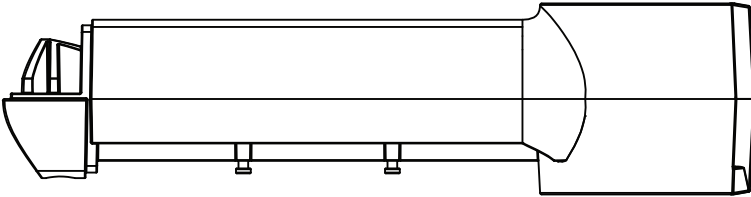
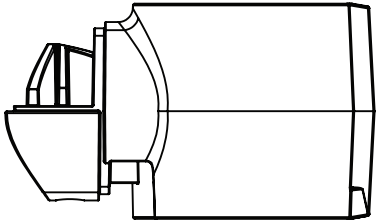


ENS Group **MM-10-201 & MM-10-202** Instructions  
PARTS INCLUDED

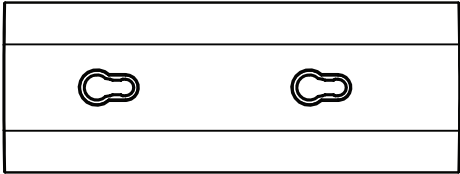


MM-10-202 Collar Arm

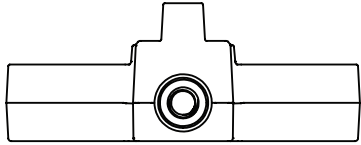
OR



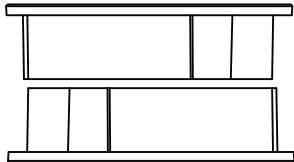
MM-10-201 Collar Mount



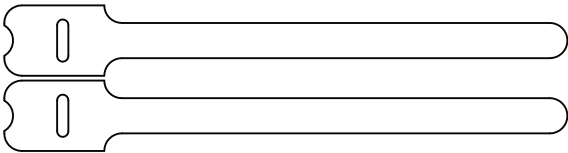
Arm Cable Cover



Stop Ring



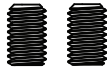
Bushings



2 x 8" Cable Ties



2.5 mm Hex Wrench



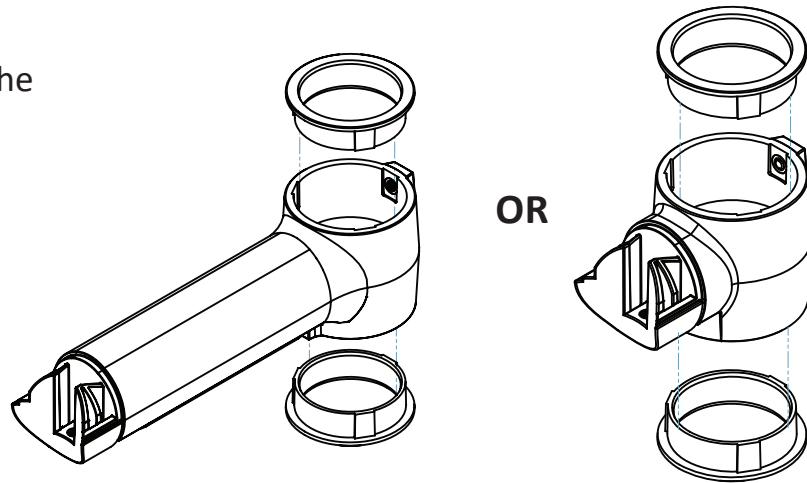
2x M5 x 8mm  
Socket Set Screws

# ENS Group MM-10-201 & MM-10-202 Instructions

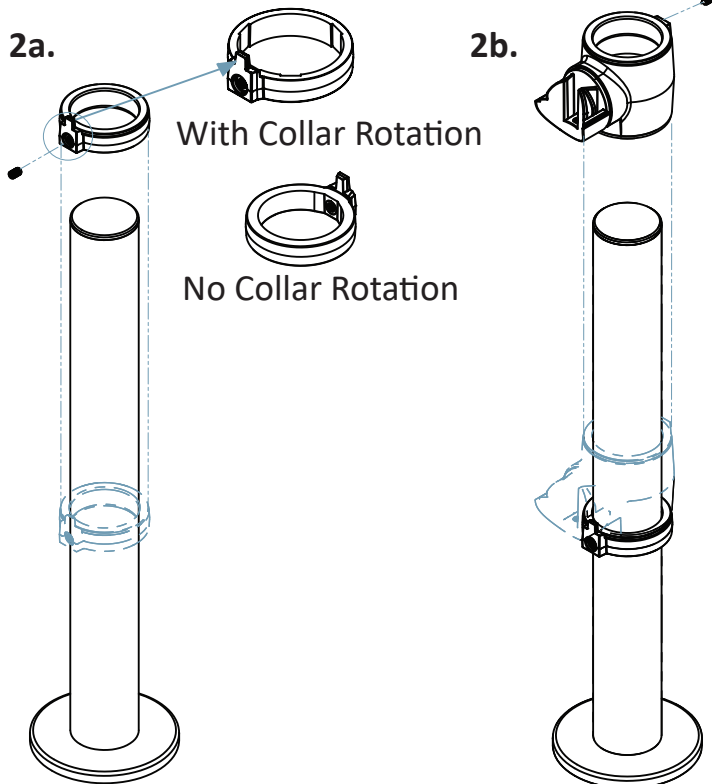
## COLLAR MOUNT INSTALLATION

*Tool Required:*  
2.5mm Hex Wrench (Provided)

### Step 1: Press Bushings into the Collar



### Step 2: Attach lowest Collar first



### Step 3: Collar Arm Only

