

# Presentation Stand

ET40/ET45



**ZEBRA**

## User Guide

ZEBRA and the stylized Zebra head are trademarks of Zebra Technologies Corporation, registered in many jurisdictions worldwide. All other trademarks are the property of their respective owners. ©2022 Zebra Technologies Corporation and/or its affiliates. All rights reserved.

Information in this document is subject to change without notice. The software described in this document is furnished under a license agreement or nondisclosure agreement. The software may be used or copied only in accordance with the terms of those agreements.

For further information regarding legal and proprietary statements, please go to:

SOFTWARE: [zebra.com/linkoslegal](https://zebra.com/linkoslegal).

COPYRIGHTS: [zebra.com/copyright](https://zebra.com/copyright).

WARRANTY: [zebra.com/warranty](https://zebra.com/warranty).

END USER LICENSE AGREEMENT: [zebra.com/eula](https://zebra.com/eula).

## Terms of Use

### Proprietary Statement

This manual contains proprietary information of Zebra Technologies Corporation and its subsidiaries (“Zebra Technologies”). It is intended solely for the information and use of parties operating and maintaining the equipment described herein. Such proprietary information may not be used, reproduced, or disclosed to any other parties for any other purpose without the express, written permission of Zebra Technologies.

### Product Improvements

Continuous improvement of products is a policy of Zebra Technologies. All specifications and designs are subject to change without notice.

### Liability Disclaimer

Zebra Technologies takes steps to ensure that its published Engineering specifications and manuals are correct; however, errors do occur. Zebra Technologies reserves the right to correct any such errors and disclaims liability resulting therefrom.

### Limitation of Liability

In no event shall Zebra Technologies or anyone else involved in the creation, production, or delivery of the accompanying product (including hardware and software) be liable for any damages whatsoever (including, without limitation, consequential damages including loss of business profits, business interruption, or loss of business information) arising out of the use of, the results of use of, or inability to use such product, even if Zebra Technologies has been advised of the possibility of such damages. Some jurisdictions do not allow the exclusion or limitation of incidental or consequential damages, so the above limitation or exclusion may not apply to you.

# Contents

<b>About this Guide.....</b>	<b>4</b>
Accessories List.....	4
Notational Conventions.....	5
Icon Conventions.....	5
Service Information.....	5
<b>Getting Started.....</b>	<b>7</b>
Presentation Stand.....	7
Cable Routing.....	8
Mounting the Presentation Stand.....	9
Installing the Presentation Back.....	12
<b>Using the Stand.....</b>	<b>15</b>
Setting the Locking Mode.....	15
Docking the Tablet.....	16
Removing the Tablet.....	17
Adjusting the Stand.....	18
Presentation Stand API.....	19
<b>Specifications.....</b>	<b>20</b>

# About this Guide

The Presentation stand charges ET40 and ET45 tables and provides a port to connect an expansion I/O hub for communication with peripherals.

## Accessories List

The following accessories are available for the Presentation stand.

### Presentation Accessories

#### Presentation Back

MISC-ET4X-BTDPS-01

Use to attach the tablet to the Presentation stand.

#### Charge and Communication Cable

CBL-ET4X-SHCAB-01

Charging and communication to the Presentation stand.

#### Desktop Mount Plate

BRKT-ET4X-DSKPS-01

Desktop mounting option for the Presentation stand.

#### Unlocking Tool

KT-MC18-CKEY-20

Use to manually unlock devices from the stand. Pack of 20.

### Power Supplies

#### Power Supply (50 W)

PWR-BGA12V50W0WW

Provides power to the Presentation Stand.

#### DC Line Cord

CBL-DC-388A2-01

Provides power from the power supply (PWR-BGA12V50W0WW) to the Presentation stand.

#### US AC Line Cord

23844-00-00R

Provides power to the power supply.

## Notational Conventions

The following conventions are used in this document:

- **Bold** text is used to highlight the following:
  - Dialog box, window, and screen names
  - Drop-down list and list box names
  - Checkbox and radio button names
  - Icons on a screen
  - Key names on a keypad
  - Button names on a screen
- Bullets (•) indicate:
  - Action items
  - List of alternatives
  - Lists of required steps that are not necessarily sequential.
- Sequential lists (for example, those that describe step-by-step procedures) appear as numbered lists.

## Icon Conventions

The documentation set is designed to give the reader more visual clues. The following visual indicators are used throughout the documentation set.



**NOTE:** The text here indicates information that is supplemental for the user to know and that is not required to complete a task.



**IMPORTANT:** The text here indicates information that is important for the user to know.



**CAUTION:** If the precaution is not heeded, the user could receive a minor or moderate injury.



**WARNING:** If danger is not avoided, the user CAN be seriously injured or killed.



**DANGER:** If danger is not avoided, the user WILL be seriously injured or killed.

## Service Information

If you have a problem with your equipment, contact Zebra Global Customer Support for your region. Contact information is available at: [zebra.com/support](http://zebra.com/support).

When contacting support, please have the following information available:

- Serial number of the unit
- Model number or product name
- Software type and version number

Zebra responds to calls by email, telephone, or fax within the time limits set forth in support agreements.

## About this Guide

If your problem cannot be solved by Zebra Customer Support, you may need to return your equipment for servicing and will be given specific directions. Zebra is not responsible for any damages incurred during shipment if the approved shipping container is not used. Shipping the units improperly can possibly void the warranty.

If you purchased your Zebra business product from a Zebra business partner, contact that business partner for support.

# Getting Started

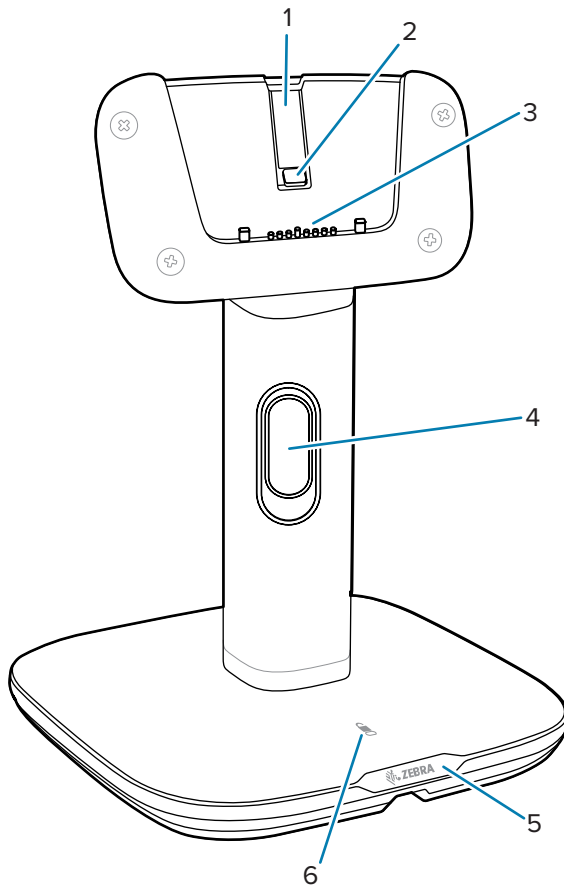
This section describes how to set up the stand.

## **Presentation Stand**

The Presentation Stand provides the following features:

- Power for operating the device.
- Charge the device's battery.
- Cable management.
- Rotate, tilt, and adjust the height of the stand while the tablet is docked.
- Desktop mount.

**Figure 1** Presentation Stand Features



Number	Item	Description
1	Anti-locking switch	Slide the switch up to allow auto-locking of the tablet or slide the switch down to keep the tablet unlocked.
2	Locking catch	Secures the tablet in the Presentation stand.
3	Interface Connector	Provides communication between the tablet and peripherals.
4	Height adjustment lever	Lift to adjust the stand height.
5	Front notch	Indicates the front side of the stand.
6	Locking LED	When the stand is in auto-lock mode, the Locking LED is only on when the tablet is in the stand and unlocked. When the stand is in always unlocked mode, the Locking LED is always on.

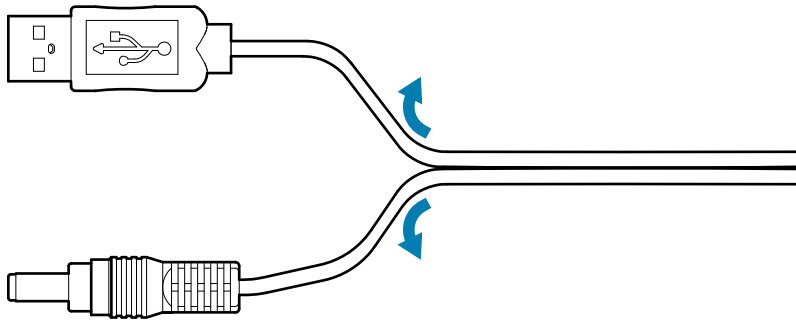
## Cable Routing

The Presentation stand has various cable routing options.

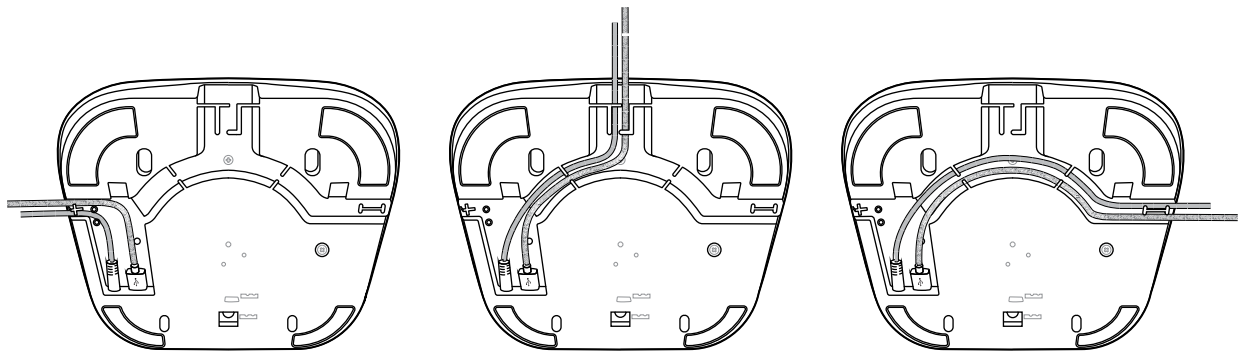
If using the charge and communication cable, split the cables apart for easier cable routing.



**Figure 2** Presentation Stand Cables



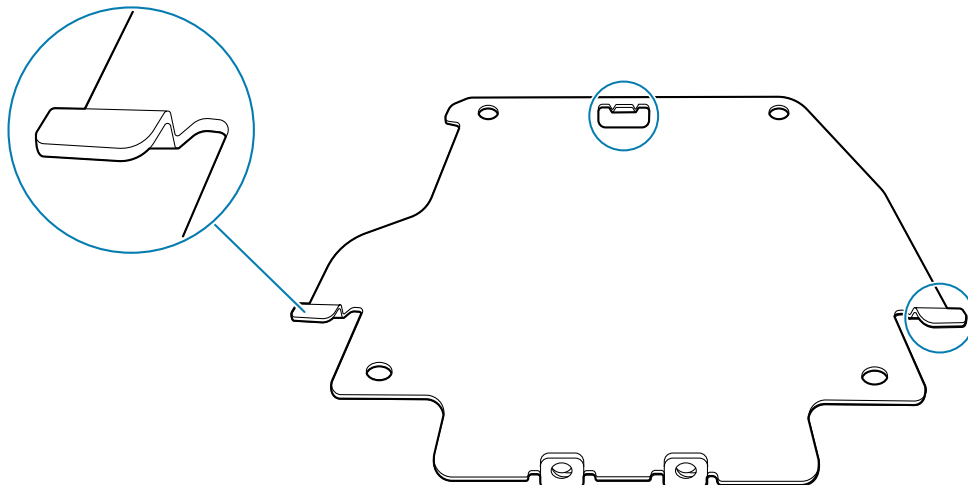
**Figure 3** Cable Routing Options



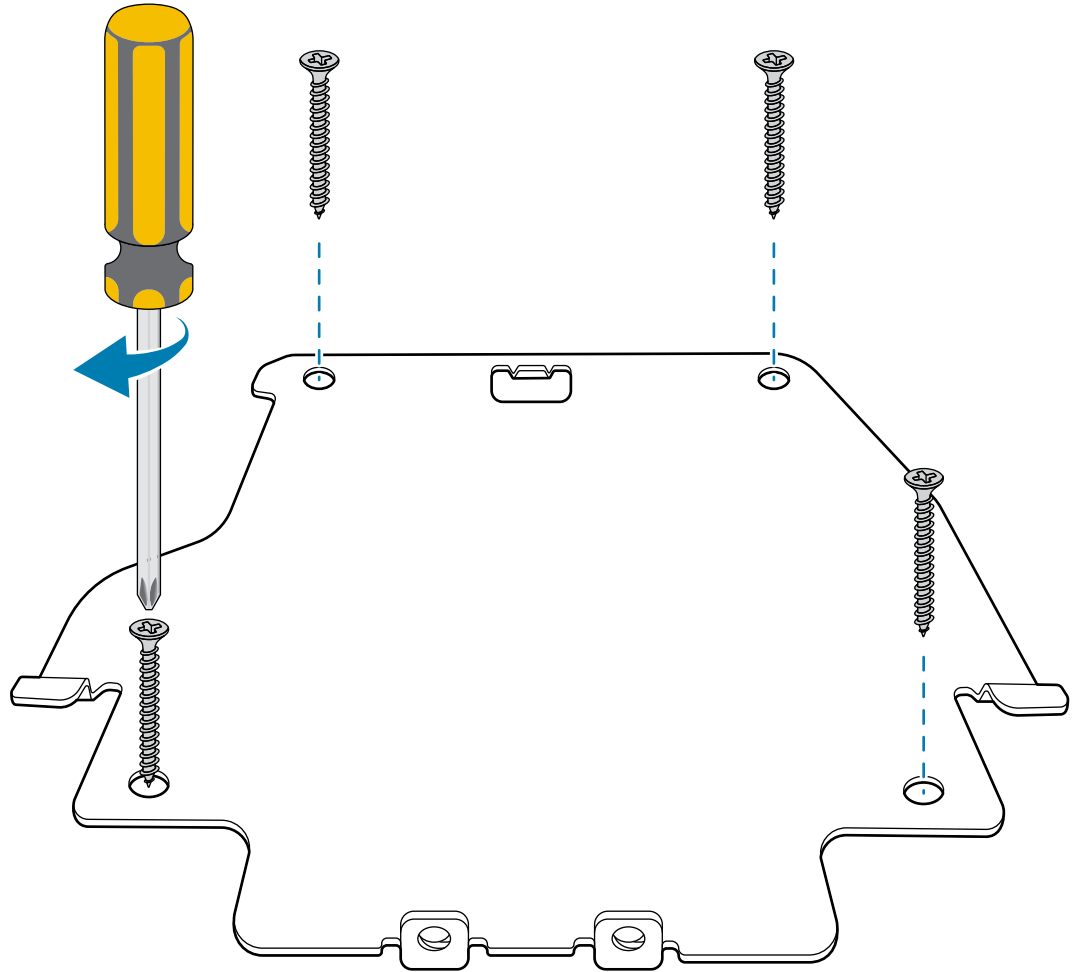
## Mounting the Presentation Stand

Use the Desktop Mount Plate to secure the Presentation stand to a desktop.

1. Place the mounting plate on the desktop with the three tabs facing up.



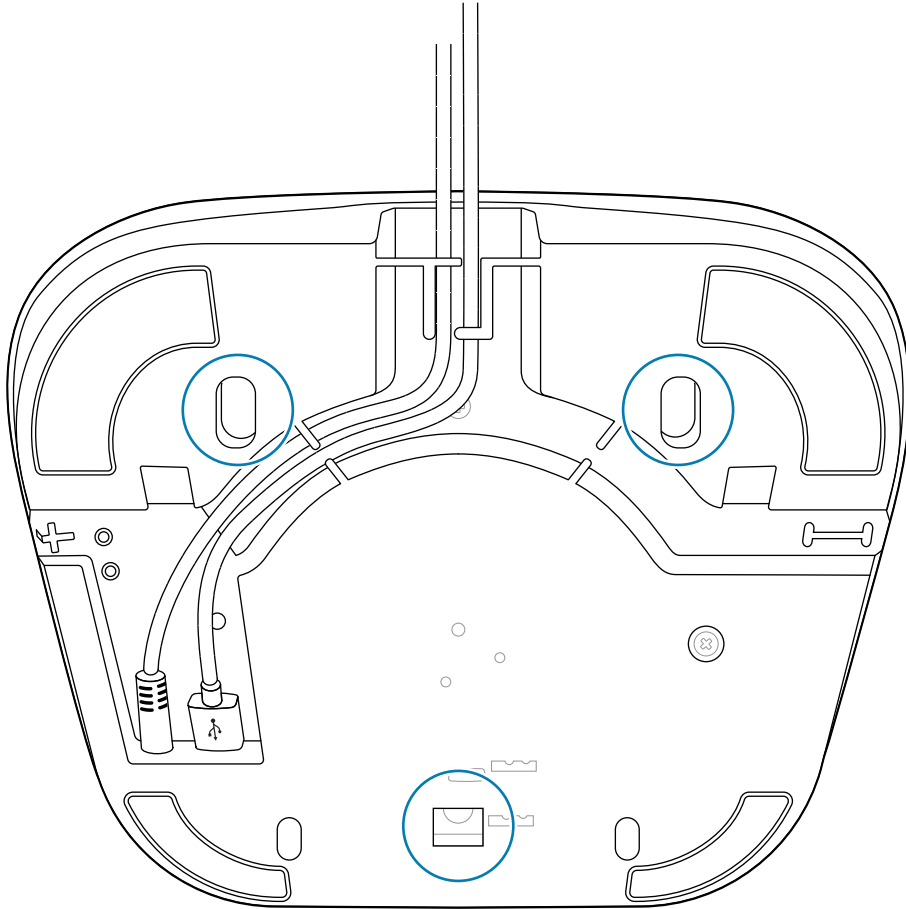
2. Install four wood screws.



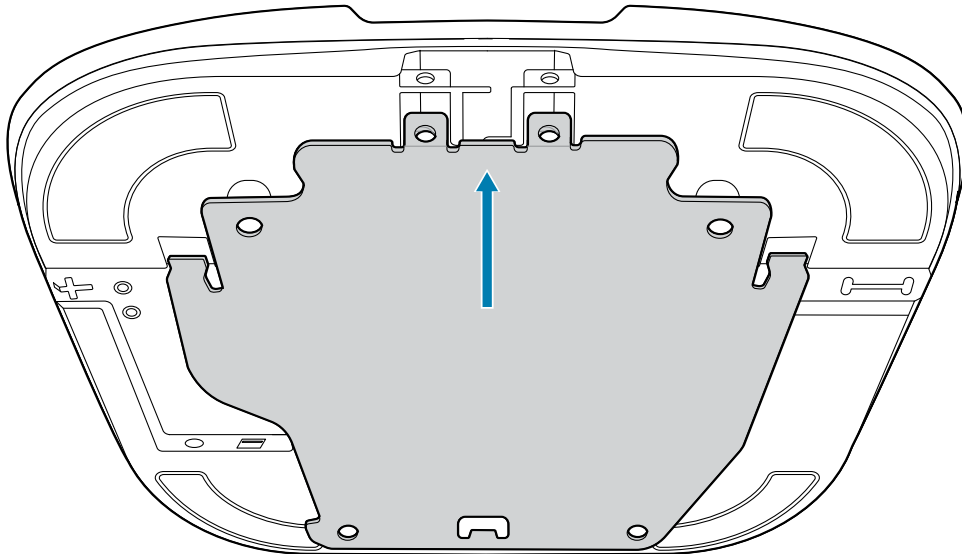
3. Align the front of the stand base with the front of the mounting plate.

**4.** Lower the stand onto the mounting plate.

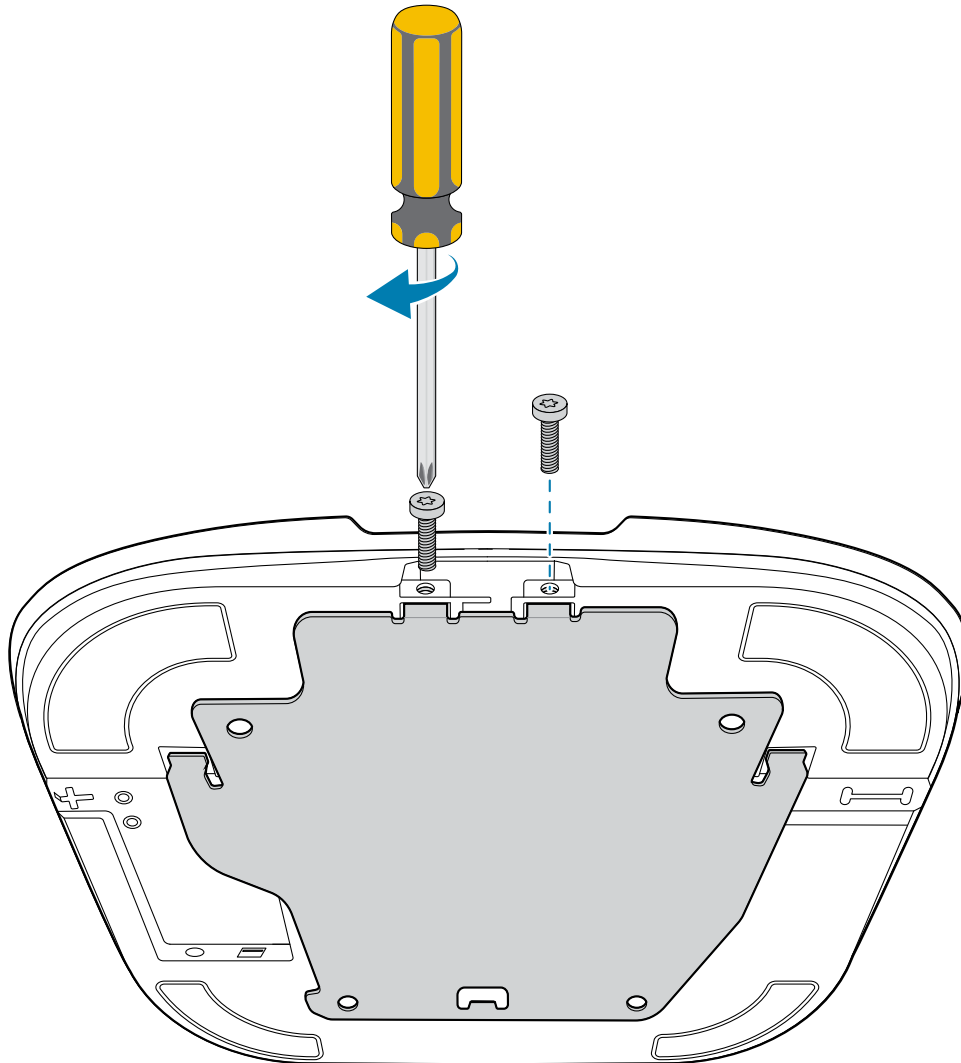
The mounting plate tabs fit inside the square cutouts on the bottom of stand.



**5.** Slide the stand base forward slightly onto the mounting plate.



6. Install two M3x5 screws to secure the stand base to the mounting plate.



### Installing the Presentation Back



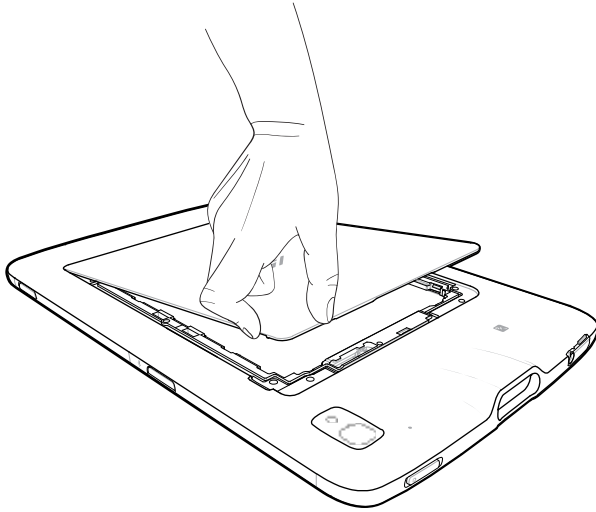
**CAUTION:** Power off the device before installing or removing the Presentation back.



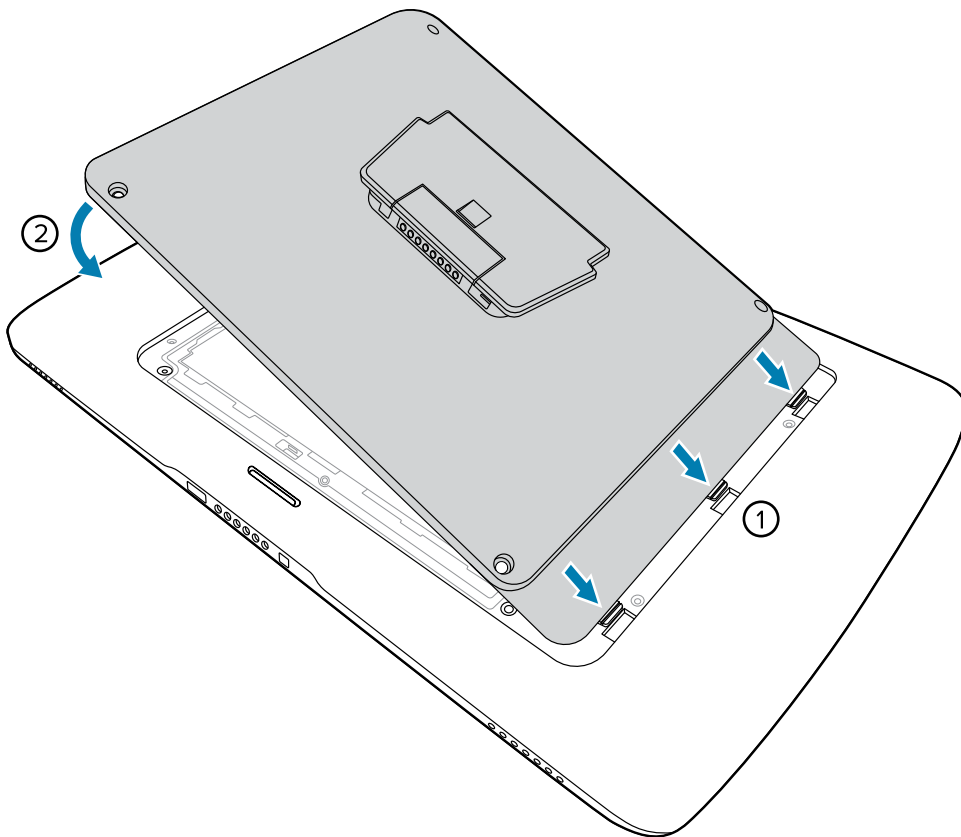
**CAUTION:** Do not use any tools for battery cover removal. Puncturing the battery or seal may cause a hazardous condition and a potential risk of injury.

## Getting Started

1. Remove battery cover and store in safe place.

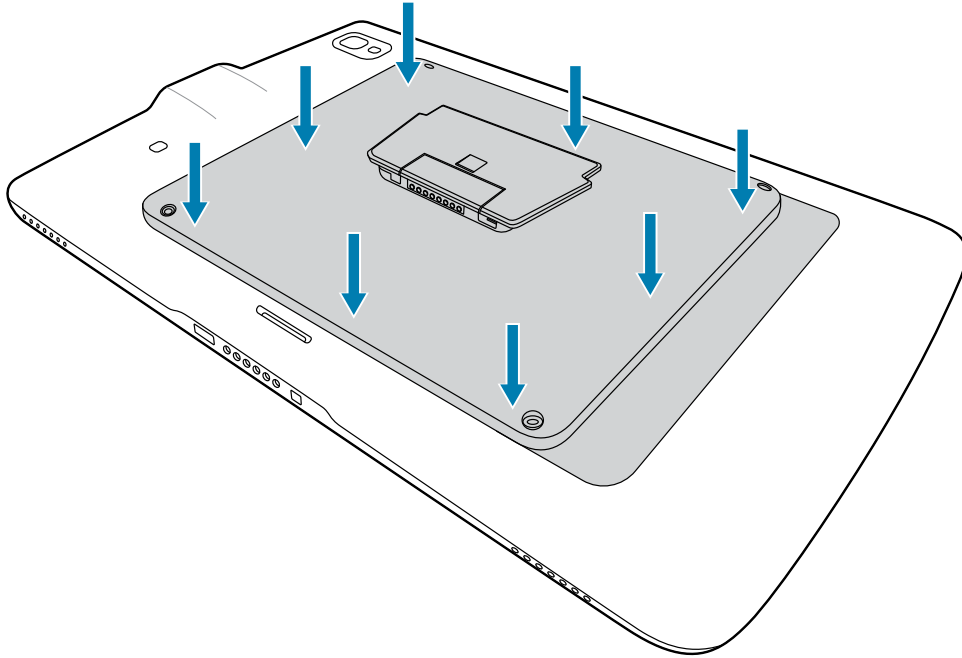


2. Insert the tabbed end of the Presentation back into the slots in the battery well (1).
3. Rotate the cover down (2).

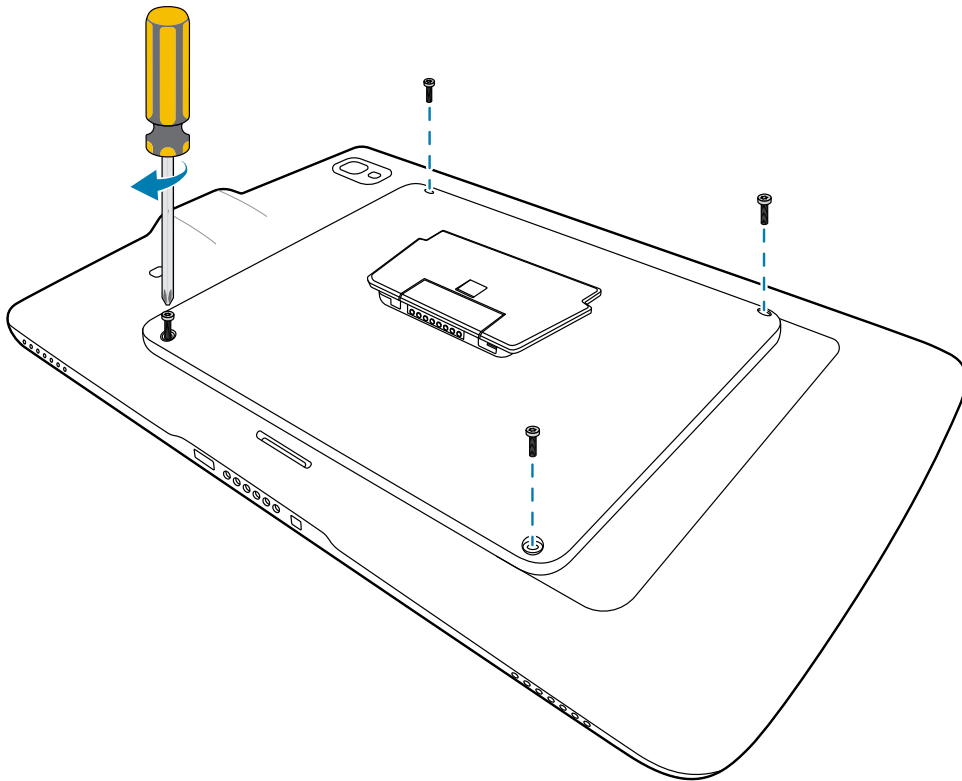


## Getting Started

4. Carefully press down around the edges of the cover. Make sure that the cover is seated properly.



5. Using a T5 Torx screwdriver, secure the Presentation back to device using four M2 screws. Torque to 0.43N-m.



# Using the Stand

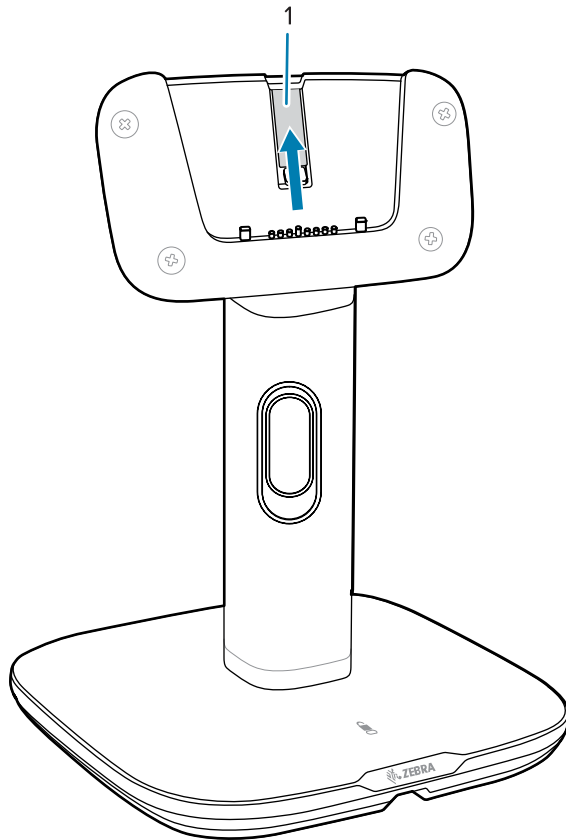
This section describes how to use and adjust the stand.

## Setting the Locking Mode

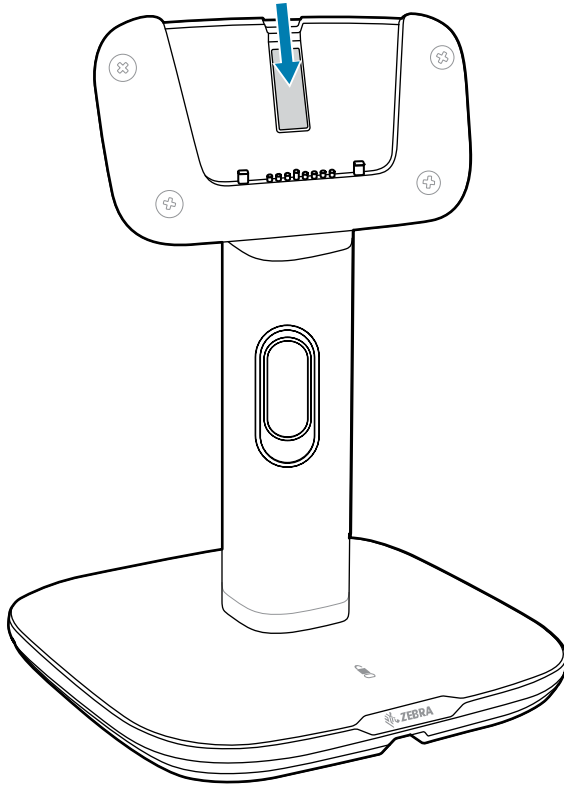
Configure the Presentation stand to automatically lock or always remain unlocked using the Anti-locking switch.

- Slide the Anti-Locking switch (1) up to enable auto-lock mode.

The Locking LED is only on when the tablet is in the stand and unlocked.



- Slide the Anti-Locking switch down to enable always unlocked mode. The Locking LED is always on and the tablet is never locked in the stand.

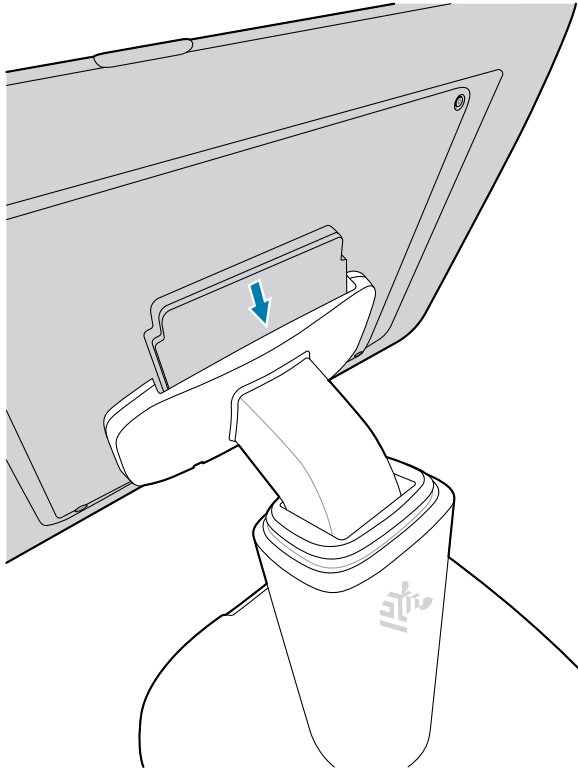


## Docking the Tablet

1. Align the back of the device with the slot on the Presentation Stand.



2. Gently push the tablet down until it clicks.



If the stand is in auto-lock mode, the tablet locks in the stand and the Locking LED on the base turns off.

If the stand is in always unlocked mode, the Locking LED on the stand remains illuminated and the tablet is not locked in the stand.

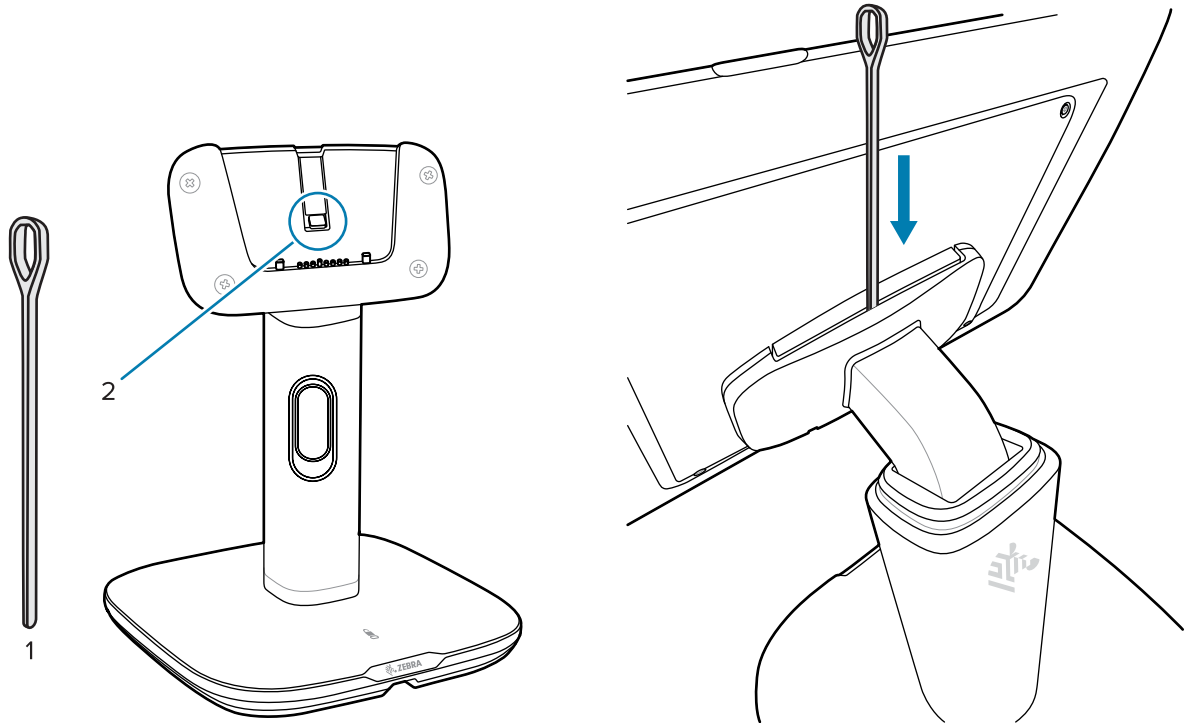
## Removing the Tablet

When the stand is in auto-lock mode, you need to unlock the tablet to remove it from the stand.

- Unlock the tablet by touching an on-screen unlock button. For more information, see [Presentation Stand API](#) on page 19.

## Using the Stand

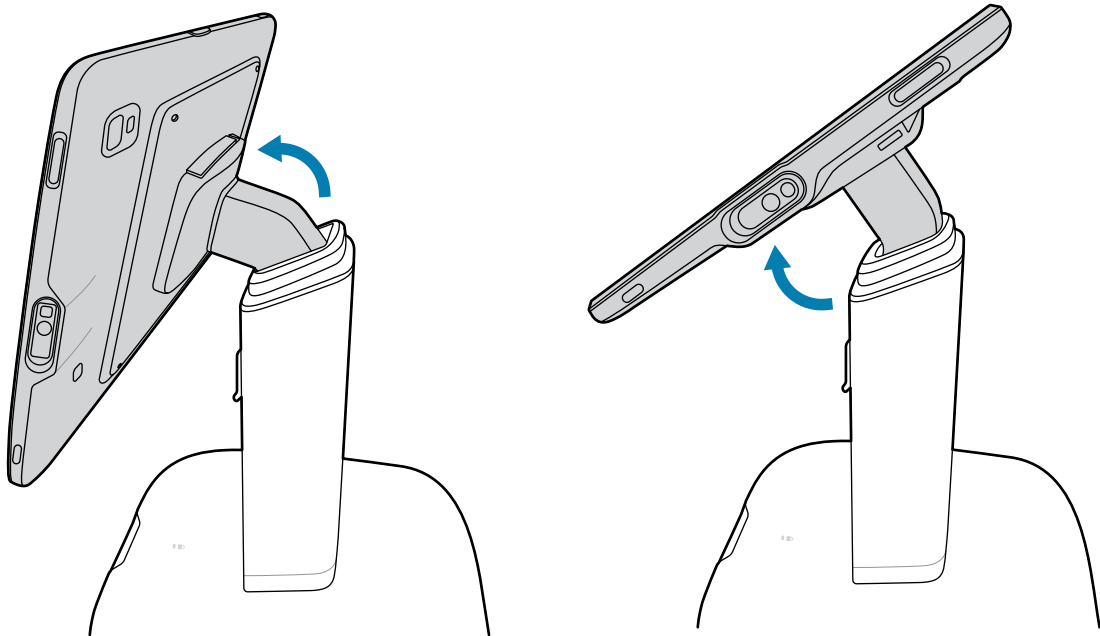
- If there is no power to the stand or you cannot turn on the tablet, manually unlock the tablet by inserting the release key (1) all the way into the release slot (2).



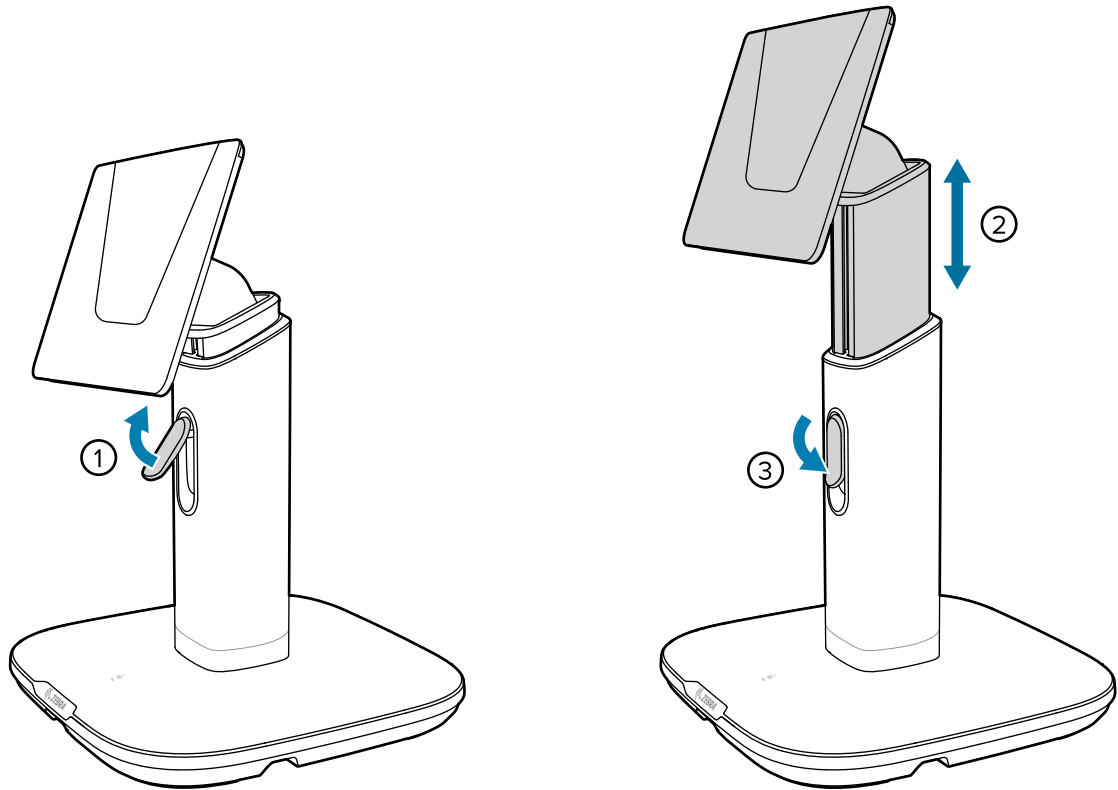
## Adjusting the Stand

Adjust the height and viewing angle of the tablet using the Presentation stand.

- Gently tilt the screen up or down to adjust the viewing angle.



- Lift the height adjustment lever (1), adjust the height of the stand (2), then press the lever all the way down to lock the position (3).



### Presentation Stand API

Use the API for the Presentation stand to lock or unlock the tablet and customize presentation mode. For detailed API information, refer to [techdocs.zebra.com](https://techdocs.zebra.com).

The information displayed on the screen can change based on the rotation of the Presentation stand.

# Specifications

This section provides detail specifications for the Presentation stand.

**Table 1** Presentation Stand

Feature	Description
Dimensions (with tablet)	Height without extension: 310 mm (12.2 in.) Height fully extended: 410 mm (16.1 in.) Width: 220 mm (8.66 in.) Depth: 220 mm (8.66 in.)
Weight	Base only: 2900 g (102 oz)
Input Voltage	12 VDC
Operating Temperature	0°C to 50°C (32°F to 122°F)

