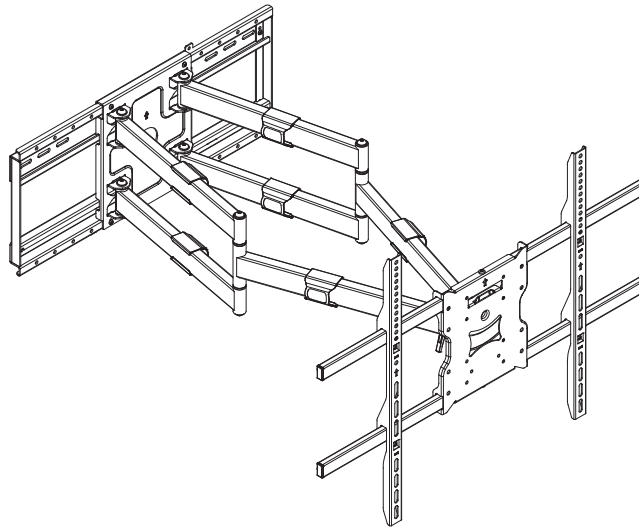
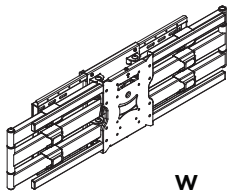


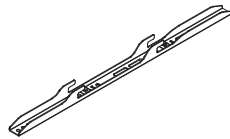
Full Motion Wall Mount 9080



COMPONENT CHECKLIST



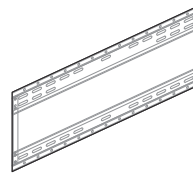
W
Full Motion Wall Mount
Assembly



X
Display Bracket
(x2)



Y
Security Clip
(x4)



Z
Drilling Template



A
M4x16
Screw
(x4)



B
M5x16
Screw
(x4)



C
M6x16
Screw
(x4)



D
M8x25
Screw
(x4)



E
Washer
(x4)



F
M5x8
Security Screw
(x4)



G
M8x45
Screw
(x4)



H
Spanner

NOTE:

- ! Wall Plate Mounting Fasteners are NOT supplied with Wall Mounts. Professional installer to ensure correct Mounting Fastener type, location & quantity to suit structure where Wall Mount is installed.
- ! ALWAYS use a washer between the chosen fastener and the wall plate.
- ! Mounting fasteners to be used as per manufacturers instructions, including minimum engagement to achieve necessary performance.

Wall 

REQUIRED TOOLS

- Stud finder
- Spirit level
- Power drill
- Suitable drill bits
- Driver bit for selected wall fasteners
- Phillips head screwdriver
- Socket wrench set

WEIGHT CAPACITY

0 - 90.7kg
(0 - 200lb)

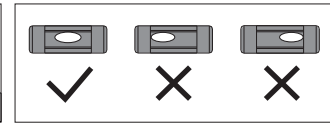
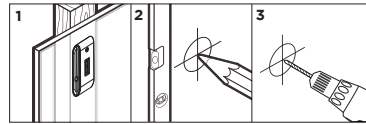
IMPORTANT INFORMATION

- ! Please ensure this product is installed as per these installation instructions.
- ! The manufacturer accepts no responsibility for incorrect installation.
- ! Failure to mount this product correctly may cause serious injury/death during or following installation.
- ! This product is not suitable for outdoor use.
- ! Do not use this product for mobile applications.
- ! Wall Plate only achieves maximum weight rating when appropriately fastened to a wall of adequate structural capacity.
- ! Professional installer to ensure adequate structural capacity of wall (including appropriate safety factor) to support total weight of all equipment being mounted.
- ! Drilling into electrical wires can cause death - use appropriate equipment and caution when drilling holes in walls to avoid electrical cables, water pipes and gas pipes. Do not drill into structures unless you have established it's safe to do so.

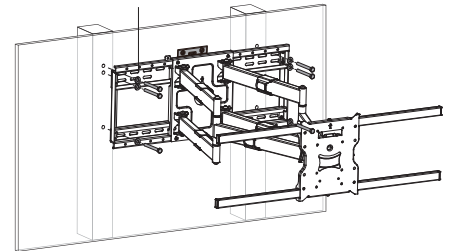
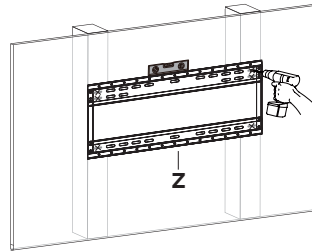
1. Mount the Wall Mount Assembly to the wall

NOTE:

- Lifting and securing of the wall mount should be performed by two people.
- Use supplied drilling template **Z** to mark and drill holes as required.
- Choice and supply of appropriate wall mount fasteners is the responsibility of the installer.
- Consult a preferred fastener supplier or a structural engineer to select fasteners which are most appropriate for the weight of the display and wall construction method.
- Wall mount must be level. Verify using a quality spirit level tool.
- On a Stud Wall or Drywall use a good quality Stud Finder to position mounting fasteners in the centre of studs.
- On a Masonry Wall avoid positioning Wall mount mounting fasteners in a mortar joint.



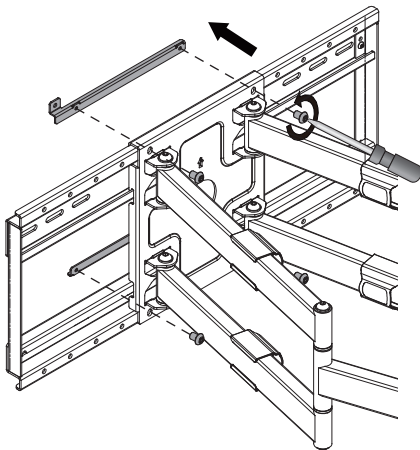
Slot Dimension
Ø8 x 34mm



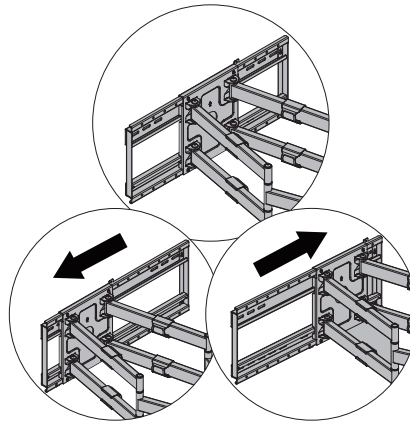
*Fasteners shown for example only

2. Adjust the horizontal alignment of the display arms (OPTIONAL)

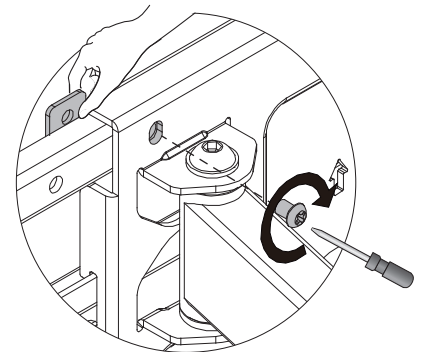
2.1. During installation, the final horizontal alignment of the display arms can be selected.
To do so, remove the four Phillips head screws from the arm assembly and remove the security plates.



2.2. Support the arm assembly and horizontally slide it left or right along the wall plate within the allowable range - where the holes on the arm assembly align with those on the wall plate.



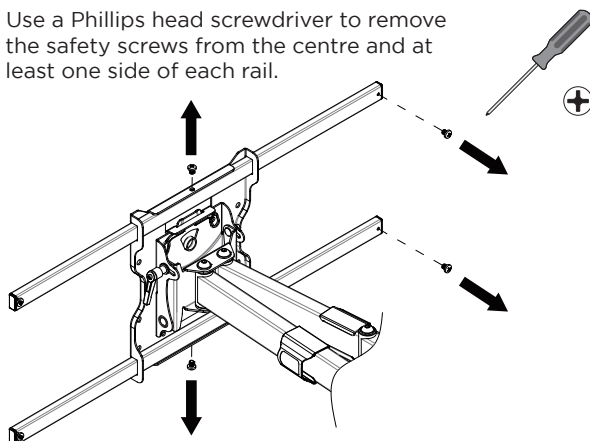
2.3. Replace the security plates and the four Phillips head screws, ensuring the proper alignment of the holes on the display arm assembly, the wall plate and the security plates.



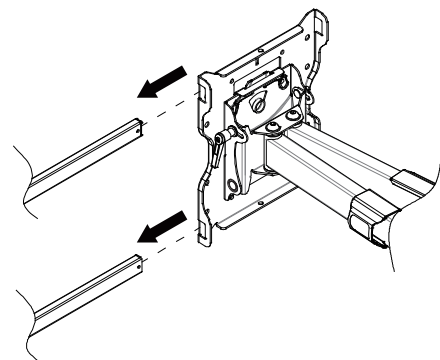
A - FOR DISPLAYS WITH 100x100 TO 200x200 VESA SPACING

A3. Remove the horizontal VESA rails from the Wall Mount Assembly

A3.1. Use a Phillips head screwdriver to remove the safety screws from the centre and at least one side of each rail.

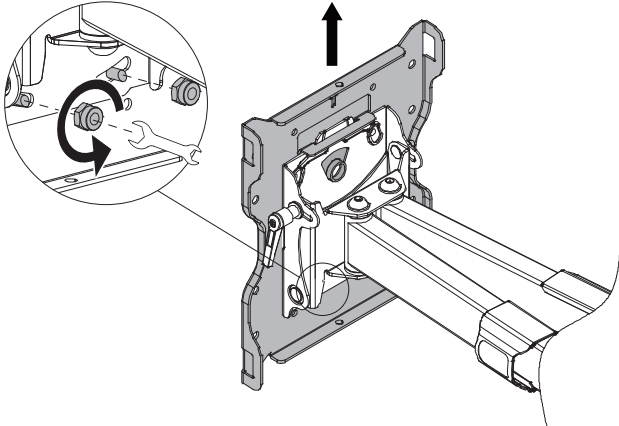


A3.2. Slide the rails out of the display mount assembly. Save these for future display upgrades.



A4. Remove the Display Plate

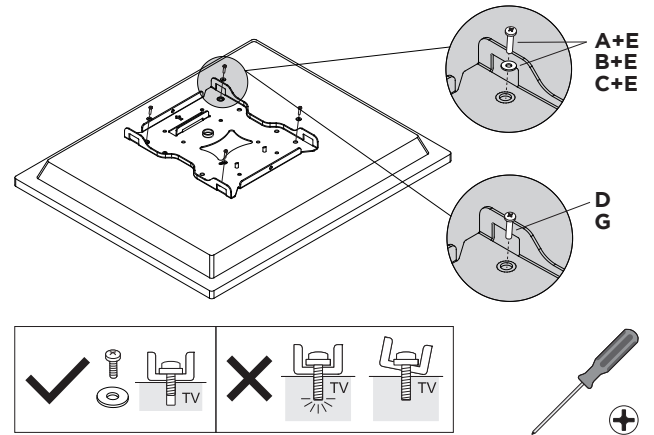
- A4.1.** Use supplied spanner **H** or a socket wrench to remove the two security nuts from the display plate.
- A4.2.** Unhook the display plate from the display arms.



A5. Attach the Display Plate to the Display

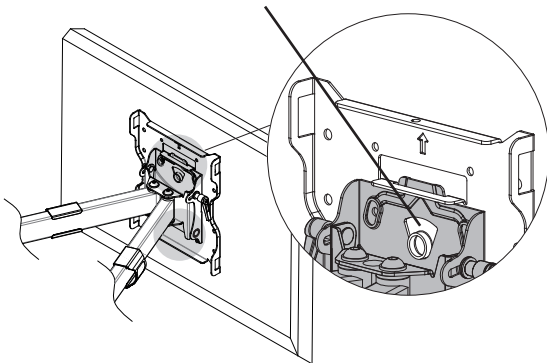
NOTE:

- When selecting screws, ensure the display is not loose and screws are not forced too deep into the display.

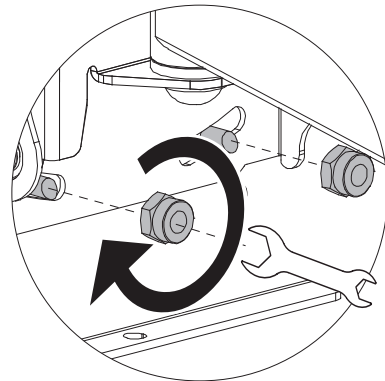


A6. Hook the Display onto the Arm Assembly

- A6.1.** Angle the display and hook the slot on the Display Plate to the hook on the Arm Assembly. This should be completed by two people.
- WARNING:** Ensure the round protrusion on the display plate sits inside the slot on the arm assembly before proceeding.



- A6.2.** Use supplied spanner **H** or a socket wrench to replace the two security nuts removed in Step A4. Tighten to the desired level of friction for level correction/rotation adjustment

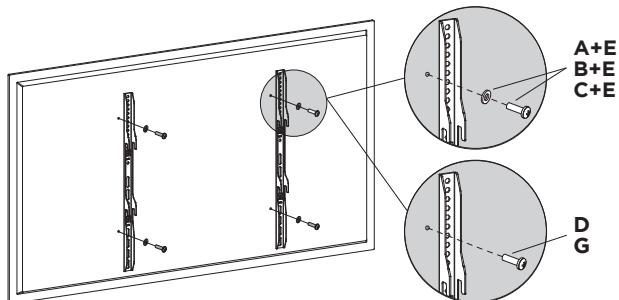


B - FOR DISPLAYS WITH 300x100 TO 800x600 VESA SPACING

B3. Attach the Display Brackets to the Display

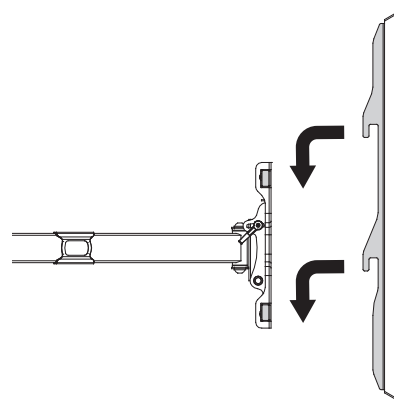
NOTE:

- When selecting screws, ensure the display is not loose and screws are not forced too deep into the display.



B4. Hook the Display onto the Arm Assembly

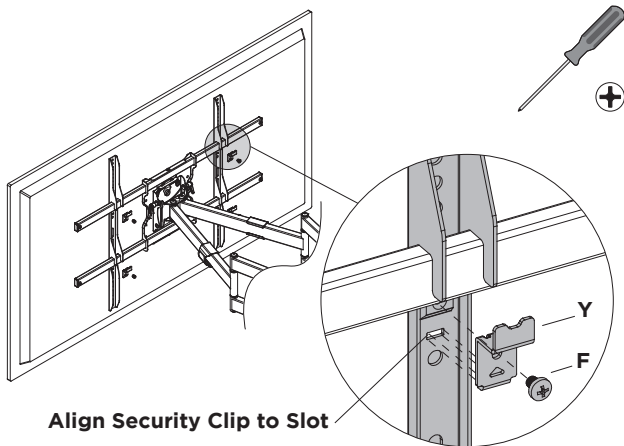
- B4.1.** Angle the display and hook the Display Brackets on to the horizontal rails of the Arm Assembly. This should be completed by two people.



B5. Secure the Display

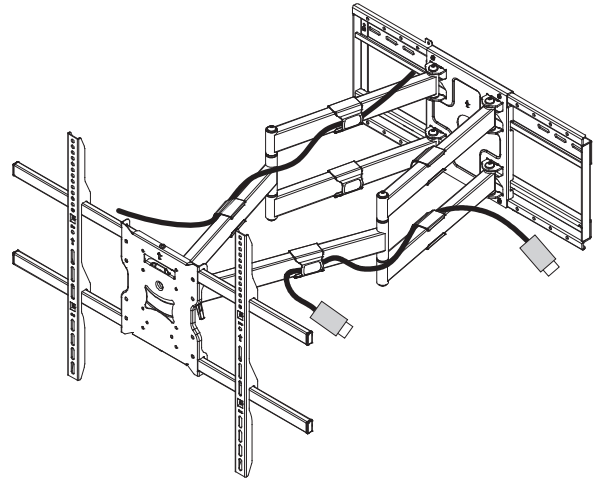
B5.1. Position the four Security Clips **Y** behind the Display brackets as shown, ensuring that the flange on each Security Clip is aligned with the rectangular slot on each Display Bracket.

B5.2. Secure each Security Clip **Y** using Security Screw **F**.



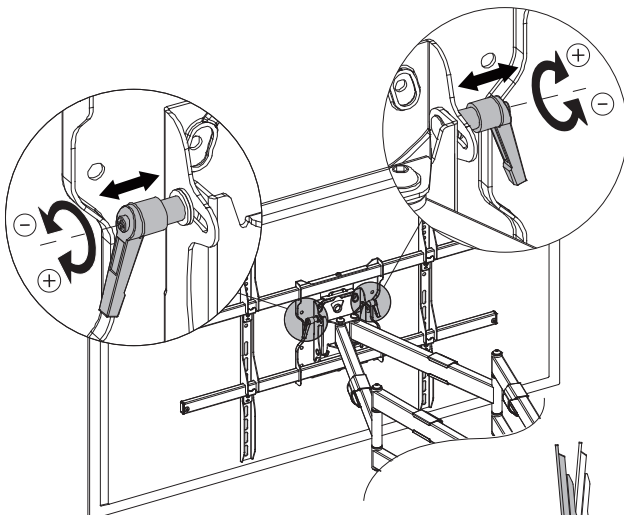
CABLE MANAGEMENT

- Use the pre-installed cable management clips to route cables along the arms of the mount.
- Ensure that cables will not become tangled in the arms during motion.



ADJUSTMENTS

Display Tilt

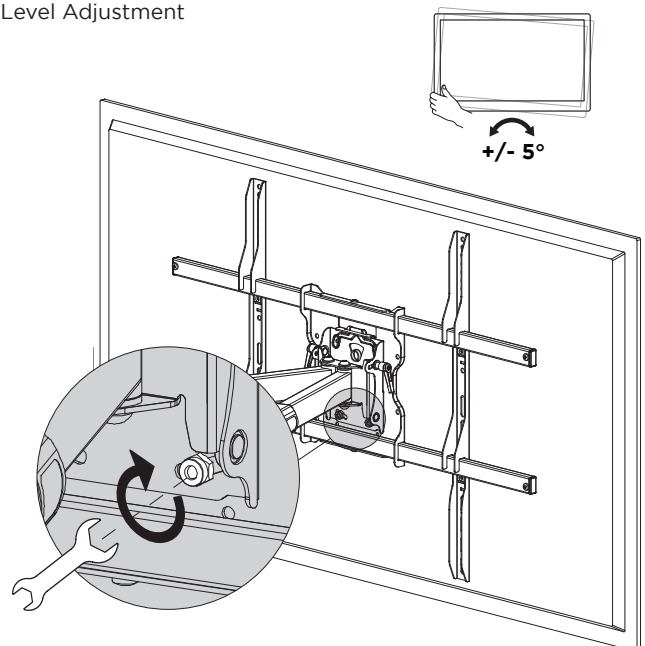


NOTE:

- Pulling and holding the spring-loaded levers outward will allow the lever handles to rotate without adjusting the tilt tension. This will allow for additional adjustment range.
- Alternatively, use a suitable hex key tool to adjust the tilt tension.

+5° / -10°

Level Adjustment



To adjust rotation friction, loosen or tighten the two nuts below the Display Arms using supplied spanner **H** or a socket wrench tool.

WARNING:

Only loosen, do not remove the two nuts.

MAINTENANCE

- Tighten fasteners and check if the mount is secure and safe to use at regular intervals (at least every three months.)
- Please contact your distributor if you have any questions.