

Owner's Manual

SmartPro® Line-Interactive Single-Phase 1U UPS Systems with Pure Sine Wave Output

Models: SMART700RT1U, SMART750RT1U, SMART1000RT1U,
SMC1000RT1U, SMART1500RT1U, SMC1500RT1U

(Series Numbers: AG-05D9, AG-03AB, AG-03A8, AG-05D8, AG-03A9, AG-05C1)

Español 32 • Français 63



SAVE THIS MANUAL

This manual contains important instructions and warnings that you should follow during the installation, operation, storage and maintenance of this product. Failure to heed these instructions and warnings will void the warranty.

WARRANTY REGISTRATION

Register your product today and be automatically entered to win an ISOBAR® surge protector in our monthly drawing!

[tripplite.com/warranty](https://www.tripplite.com/warranty)



1111 W. 35th Street, Chicago, IL 60609 USA • [tripplite.com/support](https://www.tripplite.com/support)

Copyright © 2022 Tripp Lite. All rights reserved.

Table of Contents

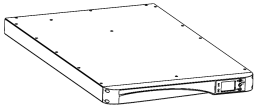
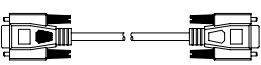
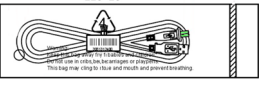
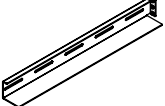
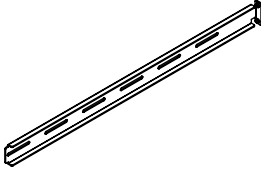
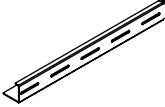

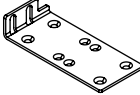
1	Overview & Safety Instructions	3	6	Operation	23
1.1	Important Safety Instructions	4	6.1	Start-Up Procedures	23
1.2	Standards Compliance	7	6.2	Shutdown Procedure	23
1.3	Storage	7	6.3	Cold Start	23
2	Features	8	6.4	Alarm Silence Function	23
2.1	Features & Functions	8	6.5	Battery Test	23
2.2	Operational Panel	8	6.6	Audible Alarm Conditions	24
2.2.1	LED Indicators	9	6.7	Line Mode/AVR Mode/Battery Mode Overload Cut-Off	24
2.2.2	Multi-Function Buttons	9	6.8	Input Breaker	24
2.2.3	LCD Display	10	6.9	Generator Compatibility	24
2.2.4	7-Segment Display	13	7	Communication Interfaces	25
2.2.5	7-Segment Display Flow Chart	14	8	Internal Battery Replacement	27
2.3	Rear Panels	16	9	Optional Accessories	28
2.4	External Dimensions	17	10	Maintenance	28
3	Installation	18	10.1	UPS	28
3.1	Installation Data	18	10.2	Batteries	28
3.2	Rack-Mount Installation	18	10.3	Fan	28
3.3	Tower-Mount Installation	19	11	Troubleshooting	29
4	Connections	20	12	Technical Specifications	30
4.1	Pre-Connection Warnings	20	13	Warranty	31
4.2	Communication Interface Connections	20			
4.3	Critical Load Connection	20			
4.4	Utility Power Connection	21			
5	Operation Modes	22			
5.1	Standby Mode	22			
5.2	Line Mode	22			
5.3	AVR Mode	22			
5.4	Battery Mode	22			
5.5	Setup Mode	22			

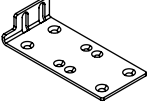

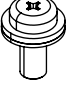





1 Overview & Safety Instructions

Tripp Lite SmartPro and SMC line-interactive 1U UPS systems with interactive LCD feature Automatic Voltage Regulation with reliable and consistent sine wave quality power for advanced networking applications. These units provide output power with high efficiency, which reduces cost and keeps your applications running smoothly at all times. Also included are built-in RS-232, USB, and SNMP accessory slot (select models) interfaces for remote monitoring and management.

Packaging and Parts List

Inspect the external packing. If there is any damage, immediately contact the dealer from whom you purchased the unit.

NO.	ITEM		QTY
1	UPS		1
2	RS-232 CABLE*		1
3	USB CABLE		1
4	LEFT RAIL		1
5	MID RAIL		2
6	RIGHT RAIL		1
7	RAIL MOUNT PLATE		4
8	RIGHT MOUNTING EAR**		4

NO.	ITEM		QTY
9	LEFT MOUNTING EAR**		4
10	M4 PAN HEAD SCREW W/WASHER		6
11	M5 PAN HEAD SCREW W/WASHER		4
12	FLAT HEAD SCREW		8
13	M4 PAN HEAD SCREW W/WASHER		8
14	M5 SERRATED NUT		4
15	15 mm FLAT WASHER		4
16	OWNER'S MANUAL		1

*Select models.

Can also be used for tower stand configurations. Refer to **3.3 Tower Mount Installation for more information.

1 Overview & Safety Instructions

1.1 Important Safety Instructions

Intended Use

- The unit serves as a single-phase line-interactive uninterruptible power supply (UPS) for its connected loads.
- Do not connect laser printers or scanners to the UPS. This may cause damage to the unit.
- The UPS is not for use in a computer room as defined in the Standard for the Protection of Electronic Computer/Data Processing Equipment ANSI/NFPA 75
- The UPS is available in 700/750/1000/1500VA models. Each model has internal batteries.
- The UPS can be used to power computers and associated peripheral devices, such as monitors, modems, cartridge tape drives, external hard drives, etc.
- **Handling:** Transport the unit only in suitable packaging to protect it from jolts and shocks. The UPS must be kept upright at all times and handled with care.

Placement & Installation Warnings

- Install the UPS in a well-ventilated area, away from extreme temperatures, excess moisture, heat, dust, flammable gas or explosives.
- Leave at least 4 inches (15 cm) of space in the front and at the rear of the UPS for proper ventilation.
- Electrical maintenance and service requires access to the front and back of the UPS. Leave the necessary space to allow service personnel access to the UPS.
- **US installations only:** The UPS is not for use in a computer room as defined in the Protection of Information Technology Equipment ANSI/NFPA 75. Contact Tripp Lite Support for assistance.
- The UPS can be installed vertically (tower mounting) or horizontally (rack mounting) according to the user's desired arrangement. Please observe the following:
- Do not mount the UPS with its front or rear panel facing down at any angle.
- Keep the UPS upright at all times and handle it with care.
- Do not stack the units.
- Do not place any objects on the UPS or any other accessory associated with the UPS.
- Install the UPS on a level and even surface.
- For tower-mounting installation, ensure that your chosen location's floor can bear the weight of the UPS and tower stands (optional).
- For rack-mounting installation, make sure your chosen cabinet can support the weight of the UPS and the rails that may be mounted in an associated rack. You also need to take your chosen location's floor weight loading into consideration.
- For rack-mounting installation, do not let your rack become "top heavy".
- Install the heaviest equipment near the bottom of the rack.
- For weight information about the UPS, please refer to section **12 Technical Specifications**.
- Install the UPS in accordance with the conditions as specified in section **3.1 Installation Data**.
- To reduce the risk of electric shock, install the UPS in a temperature and humidity controlled indoor area free of conductive contaminants.
- The operating temperature is at 32°F~104°F (0°C~40°C).

1 Overview & Safety Instructions

General Warnings


- Electrical shock hazard: even when the UPS is disconnected from AC mains, the hazardous voltage may still exist at the output receptacles of the UPS. Before maintenance, cut off the AC source and disconnect the UPS. After that, follow the instructions in **8 Internal Battery Replacement** to remove the internal batteries. Only after the above procedures are completed can further maintenance action be executed.
- Even when all switches and/or circuit breakers are open, dangerous voltage is present within the unit.
- Do not open or remove the cover of the UPS. Doing so runs the risk of a high-voltage electric shock. There are no user-serviceable parts inside.
- Only qualified service personnel should perform maintenance and servicing of the UPS. Only qualified personnel should carry out any operation that requires protection panels to be opened and/or removed.
- Any repairs or modifications by the user may result in out-of-warranty repair charges or unsafe electrical conditions.
- Do not use extension cords to connect the UPS to an AC outlet.
- Do not plug the UPS's input cord into its own output receptacles.

Usage Warnings

- Before usage, you must unpack the UPS and allow it to adjust to room temperature 68°F~77°F (20°C~25°C) for at least two hours to avoid moisture condensing inside the UPS.
- The external slits and openings in the UPS are provided for ventilation. To ensure reliable operation of the UPS and to protect the UPS from overheating, these slits and openings must not be blocked or covered. Do not insert any object into the slits and openings that may hinder ventilation.
- Even though all buttons are in the OFF position, the UPS is not isolated from the mains. To completely isolate the UPS from the mains, please disconnect the input power cord.
- The unit supplies power from two sources: the mains and the batteries. The output receptacles may have voltage present even when the unit is unplugged. Unplugging the UPS puts it into battery mode and the batteries supply power to the connected loads.
- Route all cords well so that nobody can stand on them or trip over them.
- When connecting the unit to the power supply, follow the instructions stated in section **4 Connections**.
- Ensure that no objects (e.g. rings, necklaces, paper clips, etc.) get inside the unit.
- In an emergency, switch off the unit, disconnect it from the mains and contact a Tripp Lite customer service representative.
- Do not connect any equipment that requires DC current.
- Do not connect any equipment that may overload the UPS.
- Do not connect or disconnect any cables during a thunderstorm.
- The sum of current leakage from the UPS and its connected loads must not exceed 3.5 mA.
- The UPS has an EPO (emergency power off) and a ROO (remote on/off) port located at the rear of the unit. Refer to section **7 Communication Interfaces** for more information.
- To avoid the possible risk of current leakage, the UPS must be well grounded. The unit is equipped with a safety-inspected mains line and must be connected to an earth-ground wall socket. If the wall socket does not have an earth-ground connection, please ground the UPS via the ground terminal located at the rear of the UPS. Refer to section **2.3 Rear Panel** for more information.
- Ensure the outlets on the unit or the earth-ground contact wall outlet are freely accessible.

1 Overview & Safety Instructions

Battery Precautions

- Do not open or mutilate the battery or batteries. The released electrolyte is harmful to the skin and eyes and may be toxic. If the electrolyte splashes into your eyes or onto your skin, immediately flush with water and seek immediate medical advice.
- Do not dispose of the battery or batteries in a fire. The batteries may explode.
- The risk of dangerous voltage is possible when the batteries are still connected to the UPS even though the UPS is disconnected from the mains. Do not forget to disconnect the battery cable to completely cut off the battery source.
- Voltage is always present on the battery terminals.
- The UPS contains batteries, which are potentially hazardous to the user, even when the UPS is not connected to the utility power.
- Even when discharged, a battery has the capacity to supply a high short circuit current, which, in addition to causing damage to the battery itself and to associated cables, may expose the operator to the risk of burns.
- To ensure battery performance, idle batteries must be fully recharged every three months if the UPS needs to be stored for an extended period of time. Whenever you recharge the batteries (internal and external), please fully charge them until the Battery Level Bar Graph  shown on the UPS LCD is fully on.
- Since new batteries often do not provide full capacity after an initial charge, it may be necessary to carry out a number of discharge/recharge cycles before optimum performance is achieved.
- Servicing of batteries and battery packs should be performed or supervised by qualified service personnel knowledgeable in batteries, battery packs and the required precautions.
- Only use the same type of batteries from the same supplier. Never use old, new and different Ah batteries at the same time.
- A battery can present a risk of electrical shock and high short-circuit current. The following precautions should be observed when working on batteries:
 - Remove watches, rings or other metal objects.
 - Use tools with insulated handles.
 - Wear rubber gloves and boots.
 - Do not lay tools or metal parts on top of batteries.
 - Disconnect the charging source prior to connecting or disconnecting battery terminals.

Disposal

- To protect our environment, the UPS and batteries must be disposed of in accordance with local laws and regulations.
- For proper disposal of the UPS and batteries, contact your local recycling/reuse or hazardous waste center.



WARNING: You must contact qualified service personnel if either of the following events occur:

- The liquid is poured or splashed on the UPS or the optional external battery pack.
- The UPS does not run normally after this User Manual is carefully observed.

1 Overview & Safety Instructions

1.2 Standards Compliance

Safety:

- UL1778
- CAN CSA - C22.2 NO. 107.3-14

Emissions:


- FCC Part 15 Class B

1.3 Storage

Prior to Installation

If the UPS needs to be stored prior to installation, it should be placed in a dry area. The allowable storage temperature and relative humidity (non-condensing) are 5°F~122°F (-15°C~50°C) and 0~95% respectively.

After usage

Press the OFF button, disconnect the UPS from the utility power, make sure the UPS is shut down, remove all equipment from the UPS, and store the UPS in a dry and well-ventilated area at a temperature between 5°F and 122°F (-15°C and 50°C) and a relative humidity (non-condensing) between 0~95%. Idle batteries must be fully recharged every three months if the UPS needs to be stored for an extended period. Whenever you recharge the batteries, please fully charge them until the Battery Level Bar Graph  shown on the UPS LCD is fully on.

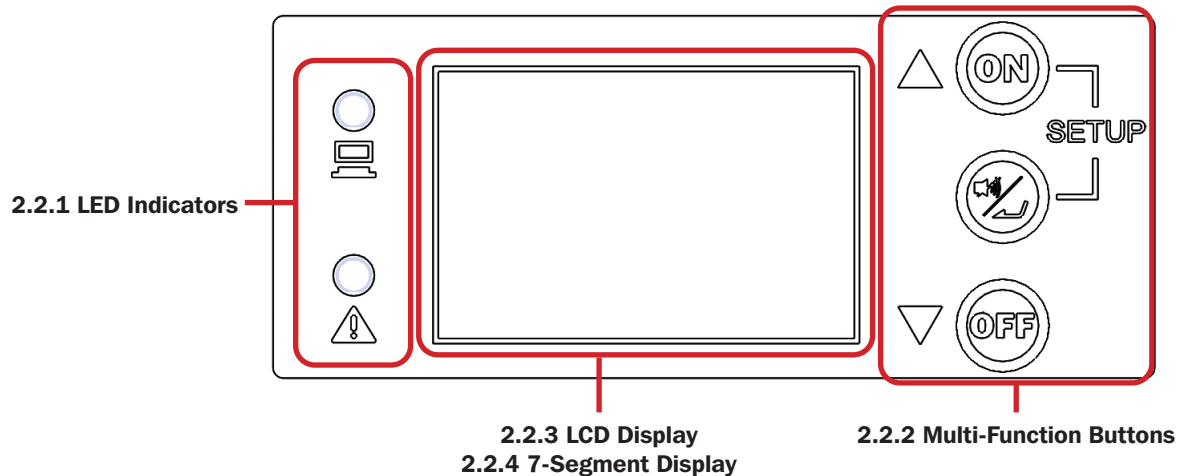
Note: After storage and before start-up of the UPS, you must allow the UPS to adjust to room temperature 68°F~77°F (20°C~25°C) for at least two hours to avoid moisture condensing inside the UPS

2 Features

2.1 Features & Functions



- User-friendly LCD and LED indicators
- Line mode efficiency up to 0.98
- Cold start
- EPO/ROO function
- Input circuit breaker protection
- Generator compatible
- Hot-swappable internal batteries
- Battery deep discharging protection
- Intelligent monitoring software connectivity through RS-232 port or USB port
- Provides the following functions via configuration of software, SNMP card (optional) or Modbus card (optional):
 - Regular self-test
 - Real-time power condition monitoring
 - System shutdown control
 - UPS schedule ON/OFF, 10 seconds battery discharging test
- Sinusoidal waveform output
- Surge / overload protection
- Network management
- Rack / Tower installation

2.2 Operational Panel







2 Features


2.2.1 LED Indicators

LED	Description
	Indicates the output status. 1. ON (Green): There is output. 2. OFF: There is no output.
	Indicates the warning status. 1. ON (Red): The UPS is in failure mode. 2. Flashing (Red): The UPS's working conditions are abnormal.

2.2.2 Multi-Function Buttons

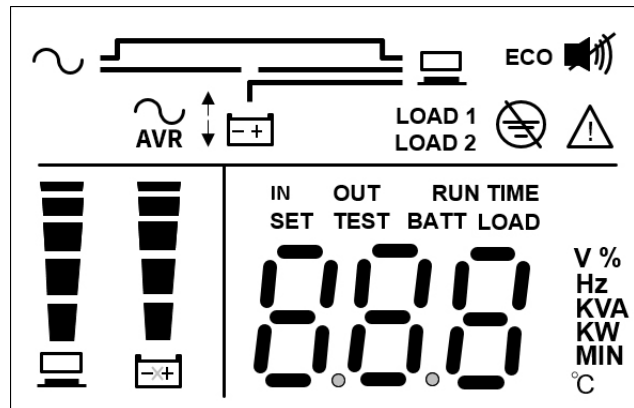
Multi-Function Button	Description
	This button has three functions: 1. Turn On <ul style="list-style-type: none"> When the UPS is in standby mode, press and hold the button for 3 seconds. Release after you hear one beep for the UPS to operate in line mode. Cold start: When there is no AC input, press and hold the button for 4 seconds. Release after you hear one beep for the UPS to start up in battery mode. 2. Battery Test A battery test can only be executed in line mode. For a manual battery test, press and hold the button for 3 seconds. Release after you hear one beep. The UPS will transfer to run in battery mode and perform a 10-second battery test. If the test result is normal, the 7-segment display will show 'PAS' and the UPS will return to line mode. If the test result is abnormal, the 7-segment display will show 'FAL', the no-battery/ battery replacement icon () will flash and the UPS will return to line mode.
	This button has two-functions: 1. Alarm On/Off When the alarm is on, press the button for 0.1 second to turn off the alarm. When the alarm is off, press the button for 0.1 second to turn on the alarm. 2. Confirmation In setup mode, press the button for 0.1 second to enter the item you want to set up or to confirm your parameter setup.
	This button has three functions. 1. Turn Off When the UPS is in line mode, press and hold the button for 3 seconds. Release after you hear one beep. The inverter will turn off and the UPS will transfer to standby mode. The UPS will keep charging the batteries when the UPS is in standby mode. To fully turn off the UPS, please completely disconnect the UPS from the input power. When the UPS is in battery mode, press and hold the button for 3 seconds. Release after you hear one beep for the UPS to turn off its output. 2. Fault Clear When the UPS has a fault condition, press and hold the button 3 seconds. Release after you hear a beep for the UPS to clear the fault condition and return to standby mode. 3. Scrolling Down/Decreasing Number Press the button for 0.1 second to go to the next display or decrease number.








2 Features

Multi-Function Button	Description
	<p>1. Entering Setup Mode Simultaneously press these two buttons for 3 seconds to enter setup mode.</p> <p>2. Exiting Setup Mode In setup mode, press these two buttons simultaneously for 3 seconds to exit setup mode.</p>














Note: When the LCD backlight is off, press any button mentioned above to illuminate the display and enable each button function.

2.2.3 LCD Display









Icon	Icon Name	Description
	Input AC Icon	Indicates the input source status. 1. On: The AC input is within the acceptable input range. 2. Flashing: The AC input is out of the acceptable input range, but is still sufficient to charge the battery. 3. Off: The AC input is out of the acceptable input range and is not sufficient to charge the battery.
	Load Bank Icon	Indicates the output status. 1. On: There is output to the load bank 1/load bank 2. 2. Off: There is no output to the load bank 1/load bank 2.
	Battery Power Icon	Indicates the battery power status. 1. ON: Battery power is on. 2. OFF: Output is not supplied by the battery power.
	Standby Mode Graph	Illuminates when the UPS is operating in stand-by mode.
	Line Mode Graph	Illuminates when the UPS is operating in line mode.
	AVR Mode Graph	Illuminates when the UPS is operating in AVR mode.
	Battery Mode Graph	Illuminates when the UPS is operating in battery mode.

2 Features

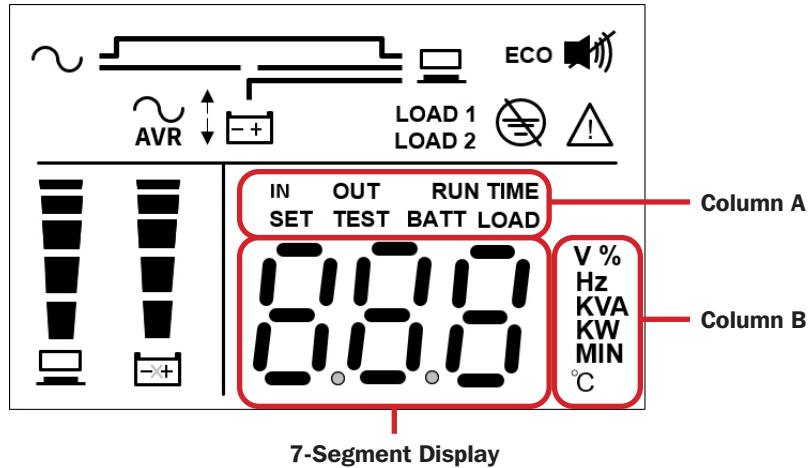
Load/Battery Level Bar Graph Indicators				
Battery Level	Line Mode (Charging)		Battery Mode (Discharging)	
100%		All segments will illuminate		All segments will illuminate
80%-99%		First four segments will illuminate and fifth segment will flash		First four segments will illuminate
60%-79%		First three segments will illuminate and fourth segment will flash		First three segments will illuminate
40%-59%		First two segments will illuminate and third segment will flash		First two segments will illuminate
20%-39%		First segment will illuminate and second segment will flash		First segment will illuminate
1%-19%				First segment will flash
0%		First segment will flash		No segments are illuminated

2 Features

Icon	Icon Name	Description
	AVR Icon	Illuminates when UPS works in AVR mode.
	Site Wiring Fault Icon	Site wiring warning.
	Buzzer Icon	Illuminates when the buzzer is disabled.
	Warning Icon	Illuminates when an internal fault or an environmental fault occurs. The error code will appear on the 7-segment display. Refer to the table in section 2.2.4 for each error code and display for relevant 7-segment display information.
	Load Level Bar Graph	Indicates the status of load level. Refer to the “Load/Battery Level Bar Graph Indicators” table on the previous page for indicator levels and battery percentages. 1. On The bar graph illuminates according to the load level. 2. Flashing The bar graph flashes when an overload situation occurs.
	Battery Level Bar Graph	Indicates the status of battery level. Refer to the “Load/Battery Level Bar Graph Indicators” table on the previous page for indicator levels and battery percentages. 1. On The bar graph illuminates according to the remaining battery capacity. 2. Flashing The first segment flashes when a low-battery situation occurs.

2 Features

2.2.4 7-Segment Display



Note: Read the word shown in Column A together with that in Column B to interpret the display meaning.

Icon	Description
IN	IN & V When the IN and V illuminate together, the input voltage is displayed.
	IN & Hz When IN and Hz illuminate together, the input frequency is displayed.
OUT	OUT & V When OUT and V illuminate together, the output voltage is displayed.
	OUT & Hz When OUT and Hz illuminate together, the output frequency is displayed.
SET	When SET illuminates, the UPS is in setup mode. You can set up the following items via the LCD. For how to enter setup mode, refer to section 5.5 Setup Mode . 1. Audible alarm 2. Inverter voltage 3. Input sensitivity
TEST	When TEST flashes, the UPS is performing a battery test.
BATT	BATT & % When BATT and % illuminate together, the remaining battery capacity is displayed.
	BATT & V When BATT and V illuminate together, the battery voltage is displayed.
	RUN TIME & MIN When RUN TIME and MIN illuminate together, battery runtime under the current load is displayed.
LOAD	LOAD & % When LOAD and % illuminate together, the total load capacity is displayed.
	LOAD & KVA When LOAD and KVA illuminate together, the total KVA load is displayed.
	LOAD & KW When LOAD and KW illuminate together, the total KW load is displayed.

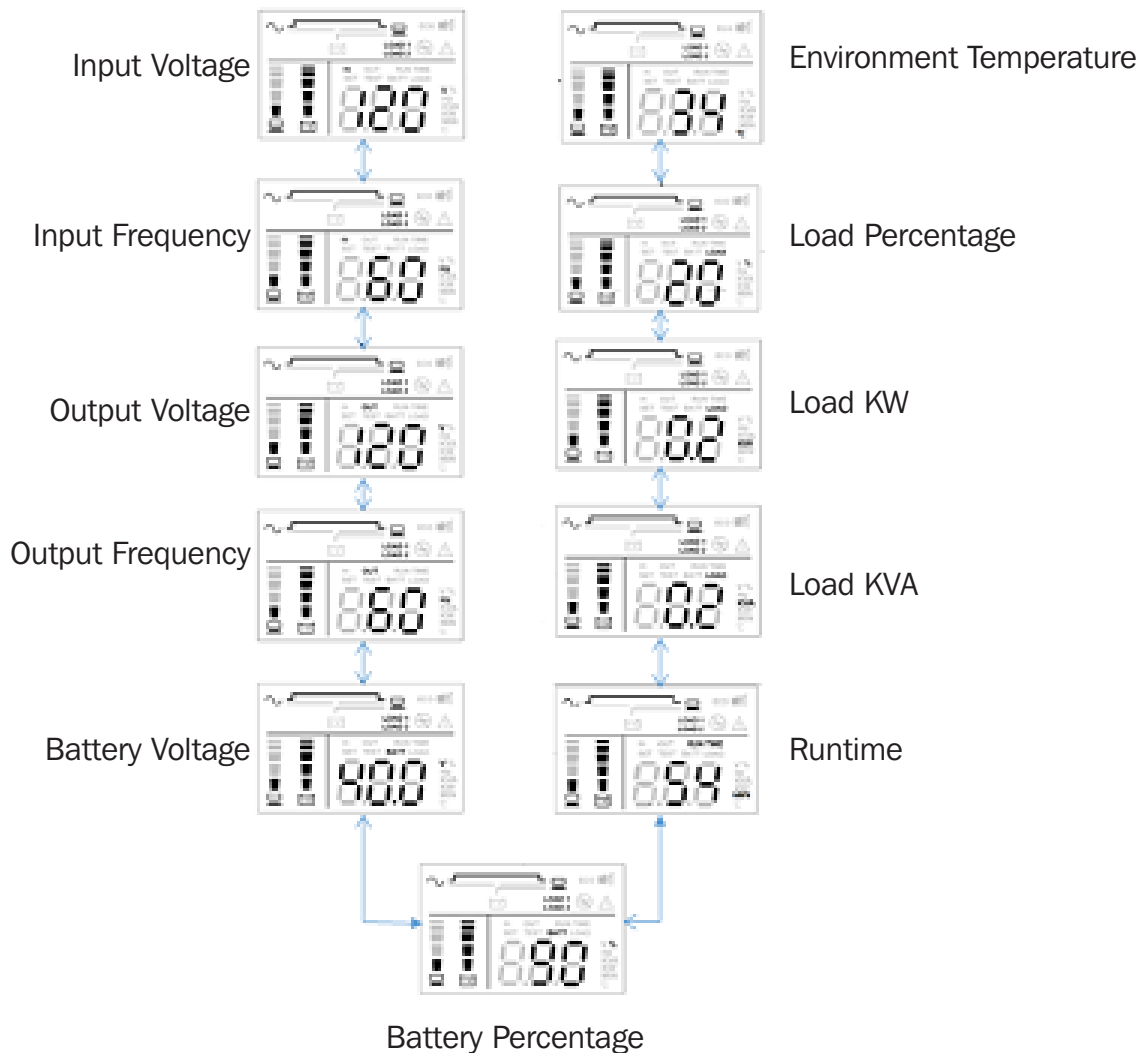
2 Introduction

Icon	Description
V	Indicates voltage
%	Indicates percentage
Hz	Indicates frequency
kVA	Indicates kilovolt-amperes (apparent power)
kW	Indicates kilowatts (true power)
MIN	Indicates minutes

2.2.5 7-Segment Display Flow Chart

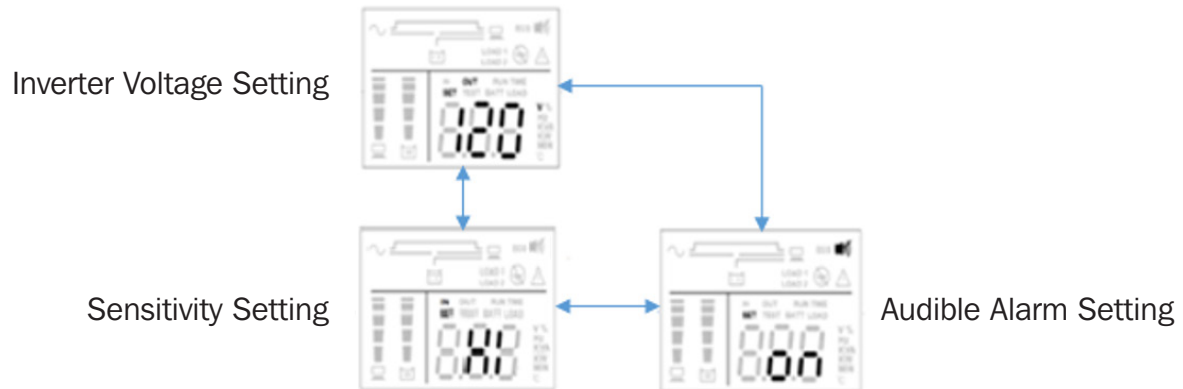
The following flow chart explains how to go navigate each display screen. The screenshots below use 'Line Mode' as an example. Each of the display diagrams shown is for reference only. The actual display depends on the operation of the UPS.

UPS and Site Power Status Screens:



2 Introduction

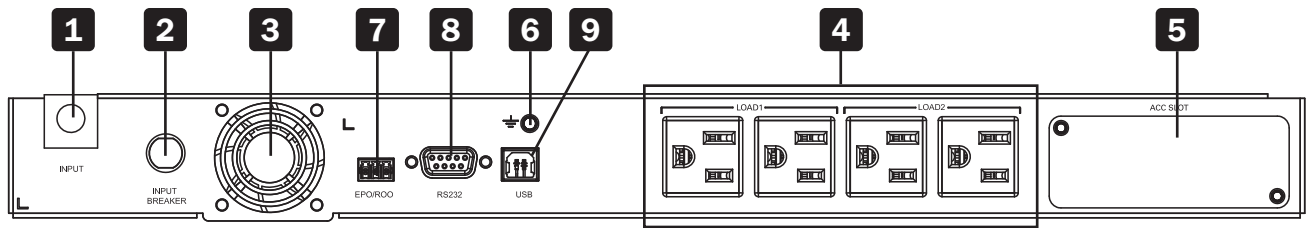
UPS Setup Screens:



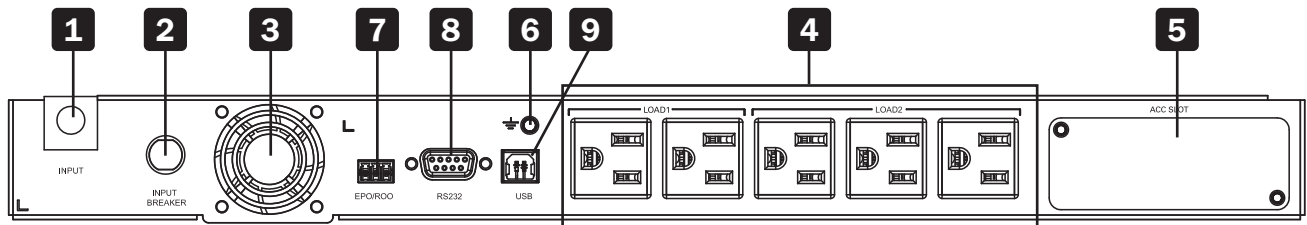
2 Introduction

2.3 Rear Panels

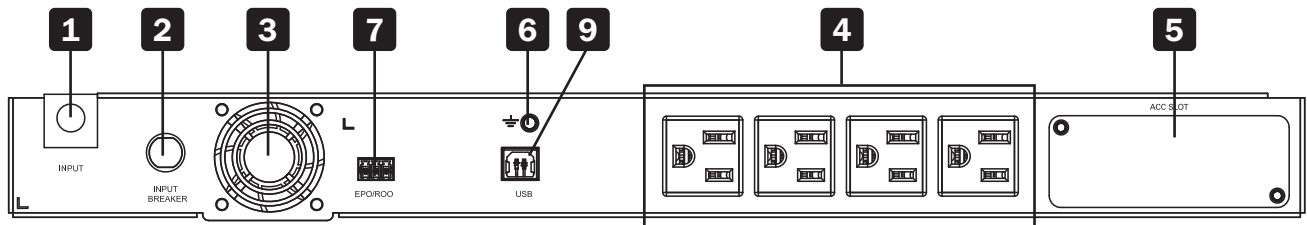
SMART700RT1U, SMART750RT1U



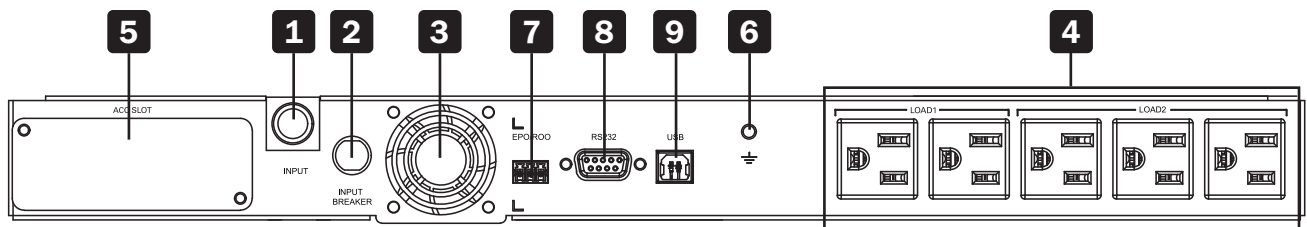
SMART1000RT1U



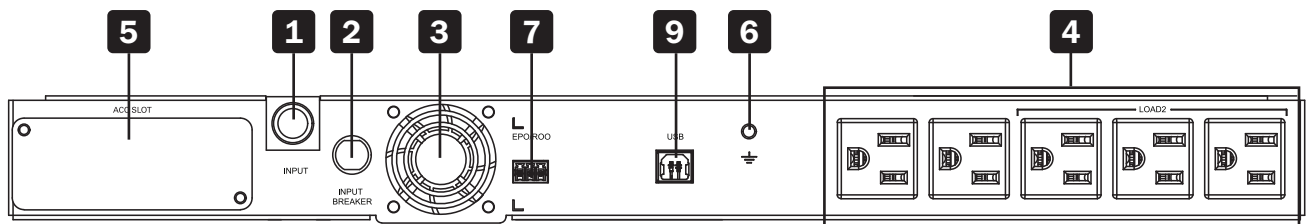
SMC1000RT1U



SMART1500RT1U



SMC1500RT1U



2 Introduction

No.	Item	Function
1	AC Input	Connects the UPS to the AC mains.
2	Input Breaker	Protects the utility power from further damage when the UPS fails. Refer to section 6.8 Input Breaker for more information.
3	Fan	Cools and ventilates the UPS.
4	Output Receptacle	Connect to your loads.
5	Accessory Slot	Accepts an optional WEBCARDLX network interface card that enables full remote access. Refer to section 7 Communication Interfaces for more information.
6	Ground Terminal	For grounding the UPS.
7	EPO/ROO Port	Refer to section 7 Communication Interfaces for more information.
8	RS-232 Port*	Communication interface port. Refer to section 7 Communication Interfaces for more information. *SMC models do not include this feature
9	USB Port	Communication interface port. Refer to section 7 Communication Interfaces for detailed information.

2.4 External Dimensions

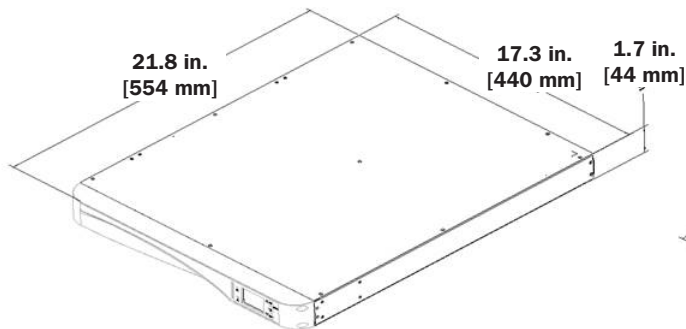


Figure 2-1: 1.5kVA Exterior & Dimensions

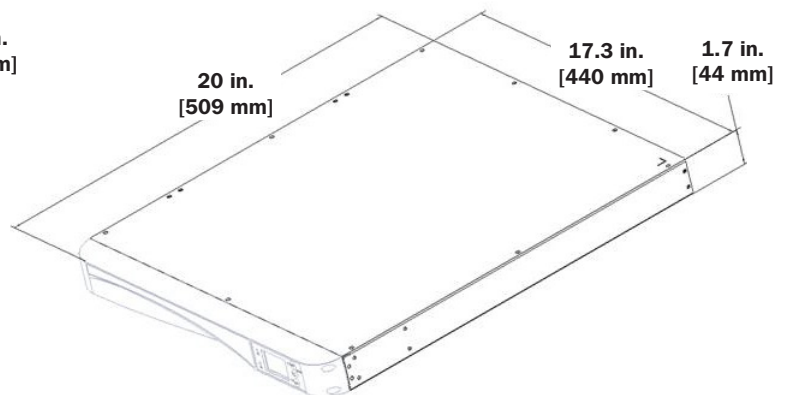


Figure 2-1: 700VA-1000VA Exterior & Dimensions

3 Installation

Notes:

- Before installation, read section **1.1 Important Safety Instructions** thoroughly.
- Each model contains internal batteries.
- Only qualified personnel should perform installation.

3.1 Installation Data

Item	Specification
Installation Environment	Indoor only
UPS Dimensions [H x W x D]	1.5kVA: 1.7 x 17.3 x 21.8 in. (44 x 440 x 554 mm) 700VA-1200VA: 1.7 x 17.3 x 20 in. (44 x 440 x 509 mm)
Operating Temperature	32°F~104°F (0°C~40°C)
Relative Humidity (non-condensing)	0%~95%
Max. Altitude (without de-rating)	3,280 ft. (1,000 m) above sea level
Input Power Connection	Rear
Output Power Connection	Rear
Battery Power Connection	Rear
Air Inlet	Front
Air Outlet	Rear

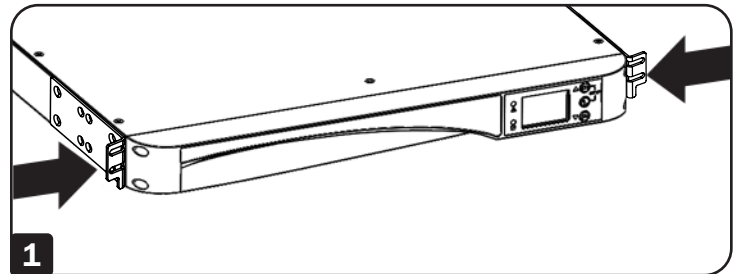
3.2 Rack-Mount Installation

You can rack mount the UPS in a 4-post frame or rack enclosure.

Notes:

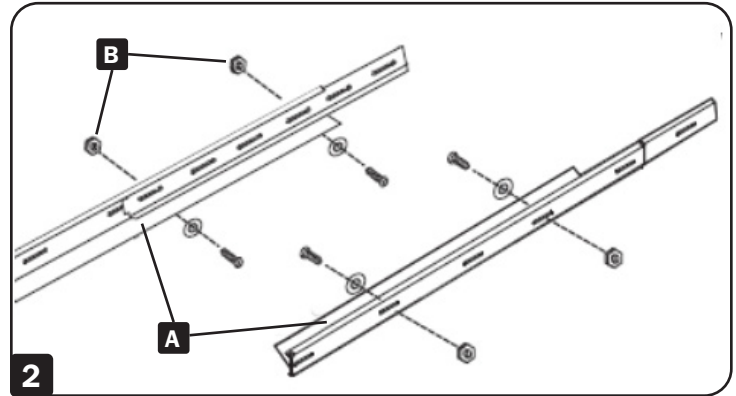
- The UPS draws cooling air from its front. If your rack has a door on the front, make sure there is sufficient clearance between the UPS vents and the rack door.
- It is strongly recommended that at least two people lift the unit when rack mounting. If there is only one person available, we suggest that the UPS internal batteries be removed for less weight before rack mounting. After rack mounting, re-install the internal batteries.
- Use only the provided bracket ears and rail kits for rack-mount installation. Never depend on lower devices to support the UPS.

- 1** Attach the included bracket ears to the lateral mounting holes of the UPS.

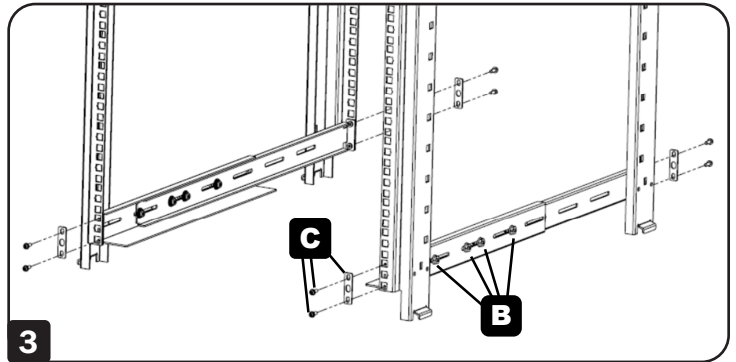


3 Installation

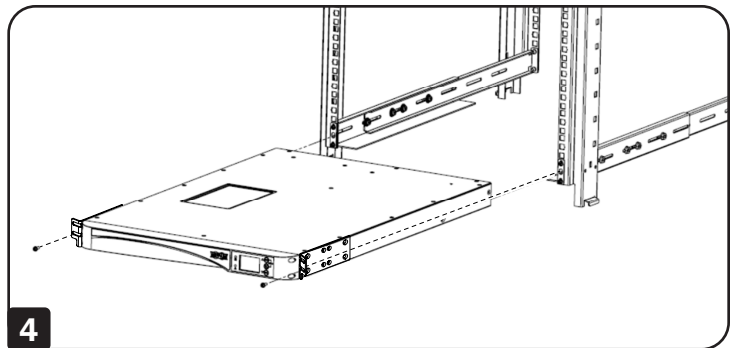
- 2** Connect the two segments of each rail **A** using the included screws and nuts **B**. Leave the screws slightly loose so that the rails can be adjusted in the next step.



- 3** Adjust each rail to fit your rack, then mount them in the lowest available space of your rack with the screws, nuts and rail mount plates provided **C**. Note that the support ledges should face inward. Tighten the screws that connect the rail segments **B**.



- 4** Insert the UPS into the rack and tighten the four provided screws.

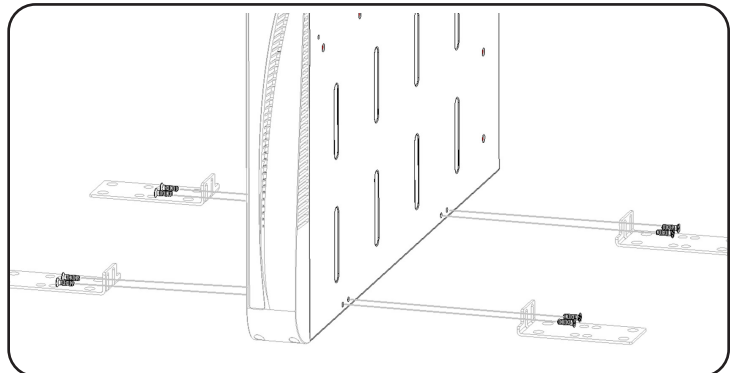


3.3 Tower-Mount Installation

Notes:

- Use the included hardware to mount the UPS models in an upright tower position.
- The user must determine the fitness of hardware and procedures before mounting.

- 1** Stand your UPS on its side with the LED display facing the top. Using the included screws, attach a rack mounting ear to each side of the UPS.



4 Connections

4.1 Pre-Connection Warnings

1. Before connection, read section **1.1 Important Safety Instructions**.
2. The UPS is supplied with a standard power cord and receptacles suitable for use in your area of operation. Only qualified personnel should perform installation, wiring, operation and maintenance.
3. Before connecting any input wiring to the UPS, ensure all circuits being used are the proper voltage and current required for the UPS. The power supply to the UPS must be single-phase in accordance with its rating label.
4. Calculate the power consumption of the connected loads to ensure an overload condition will not occur.
5. Prior to providing any power to the UPS, the UPS must be suitably grounded. The unit is equipped with a safety-inspected mains line and must be connected to an earthing-contact wall socket. If the wall socket does not have an earthing function, please ground the UPS via the ground terminal located at the rear of the UPS. Refer to section **2.3 Rear Panels** for more information.

4.2 Communication Interface Connections

Select SMART & SMC 0.7~1.5kVA series UPS communication interfaces may include an RS-232 port, a USB port, a smart slot and an EPO/ROO port. Refer to section **2.3 Rear Panels** for their locations. For more information about communication interfaces, refer to section **7 Communication Interfaces**.

4.3 Critical Load Connection

1. Before connection, read section **4.1 Pre-Connection Warnings**.
2. Calculate the power consumption of your loads to ensure an overload condition will not occur.
3. Follow your loads to select proper cables to connect the UPS output outlets and the loads.
4. Plug the power cord(s) of the equipment into the UPS output receptacles located at the rear of the unit.

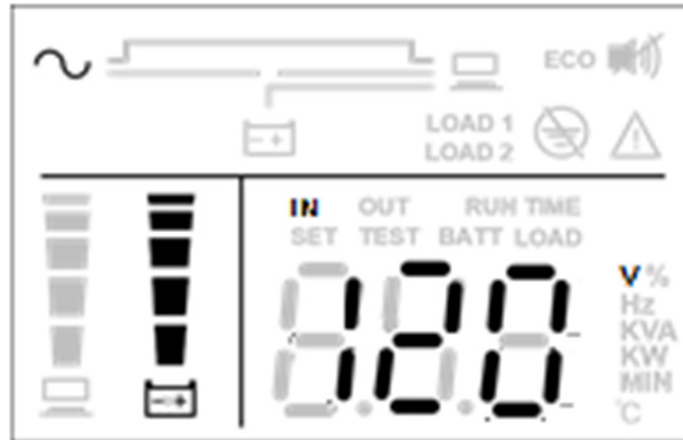


WARNING: Do not connect laser printers or scanners to the UPS.

4 Connections



4.4 Utility Power Connection

1. Before connection, read section **4.1 Pre-Connection Warnings**.
2. Use the provided input cable to connect the UPS and a wall outlet that has an earthing-contact function. If the wall outlet does not have an earthing connection, please ground the UPS via the ground terminal. Refer to section **2.3 Rear Panels** for ground terminal location.
3. After the UPS is connected to the AC utility, the utility will supply power to the UPS. Once power is supplied, the fan (at the rear panel) will run and the LEDs and LCD will illuminate for 2-3 seconds. The user can check whether the LEDs and LCD are normal. The default setting of the UPS will be set to standby mode.



Initial Screen after Utility Power Connection/Standby Mode

Notes:

- The above screenshot is for reference only. What is actually displayed depends on the operation of the UPS.
- The UPS will charge its internal batteries whenever the UPS is connected to the AC source.
- It is recommended that you charge the UPS internal batteries until the Battery Level Bar Graph  shown on the UPS LCD appears full. If the UPS batteries are not fully charged, you may still use the UPS immediately, but the On-Battery runtime may be less than normally expected.
- If the UPS is going to be out of service or stored for a prolonged period of time, you must fully recharge the batteries every three months so that the Battery Level Bar Graph  shown on the UPS LCD appears full.
- The batteries will immediately begin charging upon the availability of the input power.

5 Operation Modes

Notes:

- To learn how to use the operation panel and understand the LCD, refer to section **2.2 Operation Panel**.
- Each of the display diagrams shown in this section is for reference only. The actual display depends on the UPS operation mode.

5.1 Standby Mode

After the UPS is connected to the AC utility, it will supply power to the UPS and the batteries will be charged.

5.2 Line Mode

In line mode, the connected loads are directly supplied by raw, unconditioned utility power and the batteries are charged.

5.3 AVR Mode

In AVR mode, the critical loads are supplied by conditioned utility power and the batteries are charged.

5.4 Battery Mode

When the UPS is operating during a power outage, the batteries provide DC power to the inverter to support the connected critical loads.









5.5 Setup Mode

Note: Only qualified service personnel should perform setup action.

In setup mode, you can configure the following:

- Alarm mute
- Inverter voltage
- Sensitivity setting

To set up the UPS:

1. Press the ON button and confirmation button simultaneously  for 3 seconds or longer to enter setup mode.
2. Press the scrolling button  or  for 0.1 second to select the setting item.
3. Press the confirmation button  for 0.1 second to enable parameter selection.
4. Press the scrolling button  or  for 0.1 second to select the desired parameter.
5. Press the confirmation button  for 0.1 second to confirm your parameter.
6. In setup mode, press the ON button and confirmation button simultaneously  for 3 seconds or longer. The LCD will return to the original home display.
7. In setup mode, if you do not press any button for more than 2 minutes, the LCD will exit setup mode and return to the original display automatically.


Note: Alarm mute setting can be made in all operation modes. All other settings are only available in standby mode or line mode.

6 Operation

Notes:


- To learn how to use the operation panel and understand the LCD, refer to section **2.2 Operation Panel**.
- To understand how to use the UPS communication interfaces, refer to section **2.3 Rear Panels** and section **7 Communication Interfaces**.

6.1 Start-Up Procedures

Once the UPS is connected to the AC utility, the AC utility supplies power to the UPS. To turn on the UPS, press and hold the  button for 3 seconds and release after you hear a beep.


6.2 Shutdown Procedures

1. Line mode: To turn off the UPS, press and hold the  button for 3 seconds and release after you hear a beep. The inverter will turn off and the UPS will transfer to standby mode.


The UPS will continue charging the batteries when the UPS is in standby mode, even though the  button has been pressed. To fully turn off the UPS, it is advised to unplug the power cord.

2. Battery mode: To turn off the UPS, press and hold the  button for 3 seconds and release after you hear a beep. The UPS will turn off its output.

6.3 Cold Start


Even when there is no utility power, you can still turn on the UPS. Press and hold the  button for 3 seconds and release after you hear a beep. The UPS will start up and run in battery mode.



6.4 Alarm Silence Function

If the alarm is on, press the  button and the alarm will be silenced. If any new alarm event occurs, the alarm will be turned on again.

6.5 Battery Test

Note: Battery tests can only be performed in line mode and in AVR mode.

To perform a battery test, press and hold the  button for 3 seconds and release after you hear a beep. The UPS will transfer to battery mode and perform a 10-second battery test.

- If the test result is normal: The LCD will display 'PAS' and the UPS will return to line mode or AVR mode (in accordance with its original operation mode).
- If the test result is abnormal: The LCD will display 'FAL', the LEDs will flash, the warning icon  and no-battery/battery replacement icon  will illuminate and the UPS will return to line mode or AVR mode (in accordance with its original operation mode).

6 Operation

6.6 Audible Alarm Conditions

Condition	Alarm
Battery Mode	The audible alarm beeps once every 5 seconds.
Low Battery	The audible alarm beeps once every 2 seconds.
Battery Low Shutdown	The audible alarm beeps once every 0.5 second.
Alarm Warning	The audible alarm beeps once every 2 seconds.
Fault	The audible alarm beeps once every 0.5 second.
Watchdog Alarm Enable and Watchdog is Triggered	The audible alarm beeps 3x with the following characteristics: <ul style="list-style-type: none">• 250mS beep followed by 250mS of silence• 4 seconds of silence• Repeat

6.7 Line Mode/AVR Mode/Battery Mode Overload Cut-Off

When the UPS is 106%~120% overloaded in line mode and AVR mode: The Load Level Bar Graph will flash, the alarm will beep constantly, and the UPS will shut down within 300 seconds.

When the UPS is 120%~150% overloaded in line mode and AVR mode: The Load Level Bar Graph will flash, the alarm will beep constantly, and the UPS will shut down within 60 seconds.

When the UPS is >150% overloaded in line mode and AVR mode: The Load Level Bar Graph will flash, the alarm will beep constantly, and the UPS will shut down within 10 seconds.

When the UPS is 106%~120% overloaded in battery mode: The Load Level Bar Graph will flash, the alarm will beep constantly, and the UPS will turn off within 10 seconds.

When the UPS is >120% overloaded in battery mode: The Load Level Bar Graph will flash, the alarm will beep constantly, and the UPS will turn off within 1 second.

6.8 Input Breaker

When input power has an overcurrent issue in line mode, the input breaker at the rear of the UPS will automatically activate.

- The unit will transfer to battery mode. After the abnormal issue is solved, press the input breaker and the unit will automatically switch back to line mode.
- If there is no battery power, the UPS will automatically shut down. After the abnormal issue is resolved, press the input breaker and follow the start-up procedures to start up the UPS.

Note: When the input breaker activates automatically, there is a problem with the UPS or connected loads. It is highly recommended to turn off the UPS, remove the input power cord and let qualified service personnel inspect the UPS, its connected loads and the surrounding environment.

6.9 Generator Compatibility

The UPS systems shown in this manual are compatible to operate with most generators available.

7 Communication Interfaces

Note: The UPS can still function properly without making the connections below.

The UPS's communication interfaces include an RS-232 port, a USB port, an accessory slot and an EPO/ROO port. Refer to section **2.3 Rear Panels** for their locations.

RS-232 Port

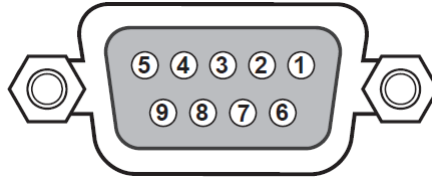


Figure 7-1: RS-232 Port

These ports connect your UPS to any workstation or server. Use with Tripp Lite's PowerAlert® Software and included RS-232 cable to enable your computer to automatically save open files and shut down equipment during a blackout. Also, use the PowerAlert Software to monitor a wide variety of AC line power and UPS operating conditions. Consult your PowerAlert Software manual or contact Tripp Lite Customer Support for more information. See "USB and RS-232 Serial Communications" in the "Optional Connections" section for installation instructions.

Dry contact communications are relatively straightforward, but some knowledge of electronics is necessary for configuration. The DB9 port's pin assignments are shown in the diagram above.

- If the UPS battery is low, the UPS sends a signal by bridging pins 8 and 5.
- If utility power fails, the UPS sends a signal by bridging pins 1 and 5.

To remotely shut down the UPS, short pin 3 and 9 for at least 3.8 seconds.

USB Port

The USB port provides another channel for the user to record UPS power events, monitor UPS status, adjust transfer voltage, set up alarms and shut down the UPS safely via computer. Simply plug the USB cable into the UPS and your computer, install the software and follow the prompts on your screen to complete the software installation.

Accessory Slot

You can choose optional cards to monitor the UPS or to enhance the UPS function. The list of optional cards is shown in the table below.

Optional Card	Function
WEBCARDLX	Remotely monitors and controls the status of the UPS via network system.

Note: For more information about optional cards or to purchase an optional card, contact your local dealer or Tripp Lite customer service.

7 Communication Interfaces

EPO/ROO Port

EPO: Emergency Power Off allows the user to shut down the UPS when an emergency occurs. Restarting the UPS requires manual intervention.

ROO: Remote ON/OFF allows remote action of buttons “on” and “off” to turn on or shut down the UPS.

Connect a normally closed contact (60Vdc/30Vac 20mA max, 0.75mm² cable cross-section) between the two pins of the port (Figure 7-2)

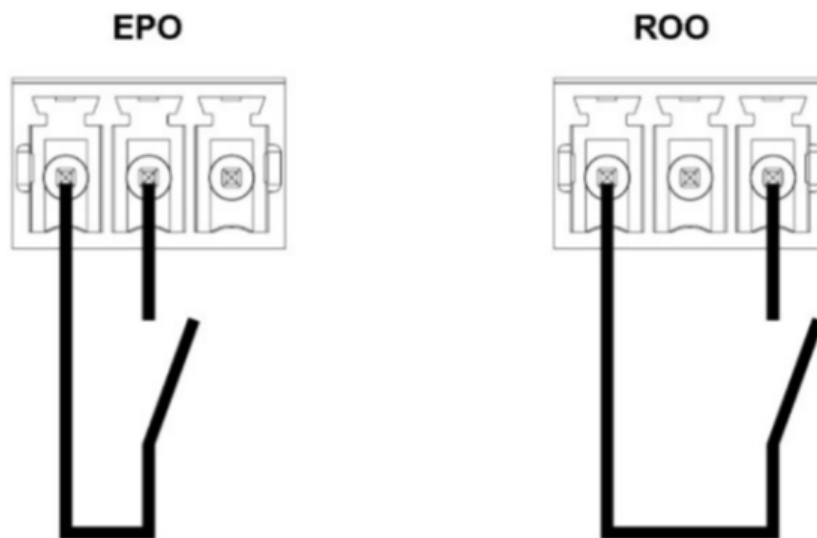


Figure 7-2: EPO/ROO Port

For EPO

Contact short: UPS shutdown

For ROO

Contact short to open: UPS shutdown

Contact open to short: UPS start-up

8 Internal Battery Replacement

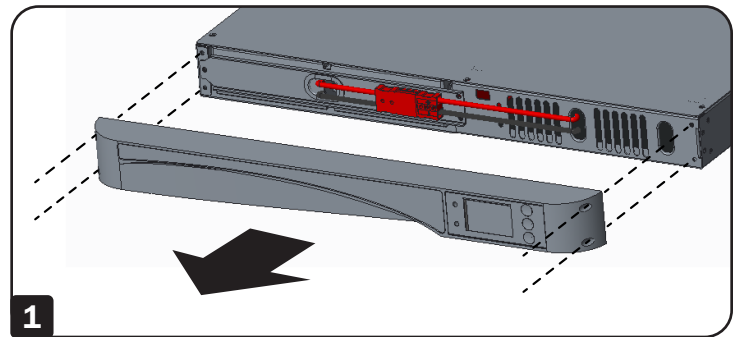


WARNING:

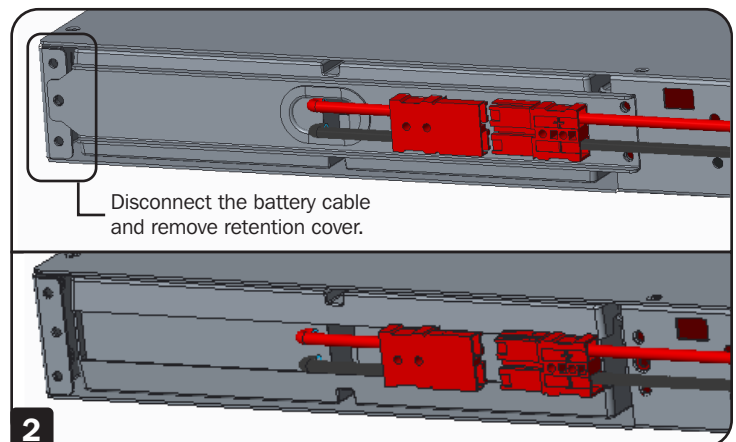
1. Turn off the UPS and cut off the AC source before performing battery/battery pack replacement.
2. A battery can present a risk of electrical shock and high short-circuit current.
3. Servicing of batteries and battery packs should be performed or supervised by qualified service personnel knowledgeable in batteries, battery packs and all required precautions.
4. Only use the same type of batteries from the same supplier. Never mix old and new batteries or batteries of different amperages.
5. Keep unauthorized personnel away from batteries and battery packs.
6. The following precautions should be observed before replacement of batteries:
 - Remove watches, rings and other metal objects.
 - Use tools with insulated handles.
 - Wear rubber gloves.
 - Do not lay tools or metal parts on top of batteries.
 - Disconnect the charging source prior to connecting or disconnecting battery terminals.
7. Thoroughly read Battery Precautions in section **1 Important Safety Instructions** before replacing batteries.

Models	SMART700RT1U	SMART750RT1U/SMART1000RT1U, SMC1000RT1U	SMART1500RT1U/ SMC1500RT1U
Replacement Battery Number	RBC129-1U	RBC247-1U	RBC367-1U

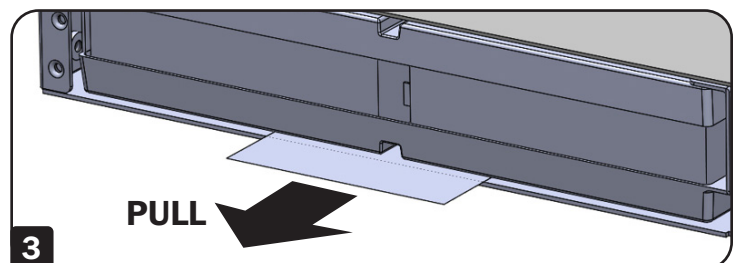
- 1** Remove the four front bezel screws and slowly pull bezel away from housing to prevent damage to LCD ribbon cable
Note: Do not put your fingers in the gap between the front plastic panel and the housing.



- 2** Disconnect the battery cables, remove the battery retention cover screws and the cover.



- 3** Use the pull-tab to remove the internal batteries.



9 Optional Accessories

An optional WEBCARDLX Web Management Accessory Card may be used to remotely monitor and control the status of the UPS across a network. For more information, contact your reseller or visit tripplite.com/products/power-management-software-hardware~10.

10 Maintenance

10.1 UPS

UPS Cleaning

Regularly clean the UPS, especially the vents and openings, to ensure air flows freely into the UPS to avoid overheating. If necessary, use compressed air to clean the vents and openings to prevent any object from blocking or covering these areas.

UPS Regular Inspection

Regularly check the UPS every six months and inspect:

- Whether the UPS, LEDs and alarm function are operating normally.
- Whether battery voltage is normal. If battery voltage is too high or too low, refer to the table in section **11 Troubleshooting**.

10.2 Batteries

The SMART/SMC 700/750/1000/1500VA UPS systems use sealed lead-acid batteries. Typical battery life is 3 to 5 years. However, actual battery life depends on temperature, usage and charging/discharging frequency. High-temperature environments and high charging/discharging frequency will shorten the battery life. The UPS does not require maintenance by the user; however, the batteries should be checked periodically. Follow the suggestions below to ensure a normal battery lifetime.

- Keep the usage temperature at 68°F to 77°F (20°C to 25°C).
- Idle batteries must be fully recharged every three months if the UPS is stored for an extended period of time. Fully charge the batteries until the Battery Level Bar Graph shown on the LCD indicates the batteries are full.

Note: Battery replacement should be performed only by qualified service personnel. If the UPS system's internal batteries need to be replaced, please contact your Tripp Lite dealer. During battery replacement, the loads attached to the UPS will not be protected if input power fails.

10.3 Fan

High temperatures shorten fan life. When the UPS is running, ensure each fan works normally and make sure air can move freely around and through the UPS.

Note: Contact Tripp Lite Tech Support for more maintenance information. Do not perform maintenance if you are not qualified to do so.

11 Troubleshooting

Notes:

- If a problem occurs, ensure the mains input voltage is present before contacting service personnel.
- Have the following information ready before contacting service personnel:
 - Unit information, including model, serial number, etc.
 - An exact description of the problem. The more detailed description of the problem, the better.
 - If the UPS displays an error code, refer to the following table to diagnose and resolve the problem.

Error Code	Definition	Possible Cause	Solution
F01	Inverter Voltage is High	The UPS has abnormalities.	Contact service personnel.
F02	Inverter Voltage is Low	The UPS has abnormalities.	Contact service personnel.
F03	O/P Short	Output has a short-circuit issue.	1. Check whether the output has a short-circuit issue. 2. Contact service personnel.
F06	Inverter Relay is Weld	The UPS has abnormalities.	Contact service personnel.
F07	DC Offset Voltage of the Output is High	The UPS has abnormalities.	Contact service personnel.
F17	Charger Fault	Charger is damaged.	Contact service personnel.
F21	WatchDog is Activated	The UPS has abnormalities.	Contact service personnel.
F26	Battery Low Shutdown	The UPS transfers to run in battery mode due to AC utility abnormality. However, the battery power is almost used up.	1. Check the main AC source and the main power cord's status. 2. Contact service personnel.
F27	Over Temperature	The UPS temperature is too high.	1. Check whether the UPS ventilation is normal. 2. Decrease the loads. 3. Check whether the fan runs normally. 4. Clean the filters (if any are installed).
F28	Fan Fault	Fan is damaged or stuck.	1. Check if foreign matter is stuck in the fan. If yes, remove it. 2. Contact service personnel.
F29	EPO Shutdown	An emergency shutdown is executed.	After emergency events are eliminated, follow the turn-on procedures to start up the UPS.
F30	Site Fault is Present	Earth wire is missing or line and neutral are reversed.	Contact your local electrician to check power distribution.

Other Issues That May Occur

Error Code	Problem	Possible Cause	Solution
F20	Overload	The UPS is overloaded.	Decrease your connected loads.
F22	Battery Missing	1. Internal battery not installed. 2. Battery cables are not connected or connectors are loose.	1. Contact service personnel or Tripp Lite Customer Support. 2. Connect the battery cables and connect them firmly.
F23	Weak Battery/Battery Replacement	Batteries are damaged or end of battery life.	Contact service personnel or Tripp Lite Customer Support.

Note: If all possible causes are eliminated but the alarm still appears, contact your local dealer or service personnel.

12 Technical Specifications

Model	SMART700RT1U	SMART750RT1U	SMART1000RT1U	SMC1000RT1U	SMART1500RT1U	SMC1500RT1U
Nominal Voltage and Input Range	100V~, 120V~, 127V~, 80V-162V (High Sensitivity) 70V-162V (Low Sensitivity)					
Nominal Input Frequency and Tolerance	50 Hz (-4/+20 Hz for High Sensitivity; -10/+20 Hz for Low Sensitivity) 60 Hz (-4/+10 Hz)					
Nominal Output Voltage	120V~ in Line Mode and 120V~ in Battery Mode					
Nominal Output Frequency	50 Hz (-4/+20 Hz for High Sensitivity; -10/+20 Hz for Low Sensitivity) 60 Hz (-4/+10 Hz)					
Output Voltage Regulation in Line Mode	120V~ (-16%/+16%)					
Output voltage regulation in Battery Mode:	120V~ (-10%/+6%)					
Nominal output power in W / VA:	420W/700VA @ 120V~/127V~ 350W/583VA 100V~	600W/750VA @ 120V~/127V~ 500W/625VA @ 100V~	770W/1000VA @ 120V~/127V~ 641W/833VA @ 100V~	600W/1000VA @ 120V~/127V~ 500W/833VA @ 100V~	1100W/1440VA @ 120V~/127V~ 825W/1080VA (100V~)	1100W/1440VA @ 120V~/127V~ 825W/1083VA (100V~)
Output Voltage Waveform	Sinusoidal in Line Mode and in Battery Mode					
Maximum Output Current @ P.F.	5.83A @ 100V~ 5.84A @ 120V~ 5.52A @ 127V~ P.F. = 0.6	6.25A @ 100V~ 6.25A @120V~ 5.91A @127V~ P.F. = 0.8	8.33A @ 100V~ 8.34A @120V~ 7.88A @ 127V~ P.F. = 0.8	8.33A @ 100V~ 8.34A @120V~ 7.88A @ 127V~ P.F. = 0.6	10.8A @ 100V~ 12A @ 120V~ 11.34A @ 127V~ P.F. = .76	10.8A @ 100V~ 12A @ 120V~ 11.34A @ 127V~ P.F. = .76
Efficiency with Nominal Load	98%					
Maximum Operating Altitude at 100% of Nominal Power	3280 ft. (1000 m)					
Online Overload Capability	<120% 5 minutes; <150% 1 minute; >=150% 10 seconds					
Overload Capacity in Battery Mode	<120% 10 seconds; >=120% 1 second					
Current Limitation	10A	10A	15A	15A	15A	15A
Autonomy Time at Full Load	3 minutes @ 420W	3 minutes @600W	3 minutes @ 770W	3 minutes @ 770W	2 minutes @ 1100W	2 minutes @ 1100W
Battery Recharge Time	6 hours @ recharge to 90% with 50% R-load discharging					
Transfer Time	6-8 milliseconds typical (<10 milliseconds max)					
Outlets	4x 5-15R outlets with battery backup, regulation, surge	4x 5-15R outlets with battery backup, regulation, surge	5x 5-15R outlets with battery backup, regulation and surge	4x 5-15R outlets with battery backup, regulation and surge	5x 5-15R outlets with battery backup, regulation and surge	5x 5-15R outlets with battery backup, regulation and surge
Maximum Input Current	6.01A 6.01A 5.69A	6.44A 6.44A 6.09A	8.59A 8.60A 8.12A	8.59A 8.60A 8.12A	10.8A 12.0A 11.34A	10.8A 12.0A 11.34A

13 Warranty

FCC Notice, Class B

This device complies with part 15 of the FCC Rules. Operation is subject to the following two conditions: (1) This device may not cause harmful interference, and (2) this device must accept any interference received, including interference that may cause undesired operation.

Note: This equipment has been tested and found to comply with the limits for a Class B digital device, pursuant to part 15 of the FCC Rules. These limits are designed to provide reasonable protection against harmful interference in a residential installation. This equipment generates, uses and can radiate radio frequency energy and, if not installed and used in accordance with the instructions, may cause harmful interference to radio communications. However, there is no guarantee that interference will not occur in a particular installation. If this equipment does cause harmful interference to radio or television reception, which can be determined by turning the equipment off and on, the user is encouraged to try to correct the interference by one or more of the following measures:

- Reorient or relocate the receiving antenna.
- Increase the separation between the equipment and receiver.
- Connect the equipment into an outlet on a circuit different from that to which the receiver is connected.
- Consult the dealer or an experienced radio/TV technician for help.

Any changes or modifications to this equipment not expressly approved by Tripp Lite could void the user's authority to operate this equipment.

Regulatory Compliance Identification Numbers

For the purpose of regulatory compliance certifications and identification, your Tripp Lite product has been assigned a unique series number. The series number can be found on the product nameplate label, along with all required approval markings and information. When requesting compliance information for this product, always refer to the series number. The series number should not be confused with the marketing name or model number of the product.

Use of this equipment in life support applications where failure of this equipment can reasonably be expected to cause the failure of the life support equipment or to significantly affect its safety or effectiveness is not recommended.

Tripp Lite has a policy of continuous improvement. Specifications are subject to change without notice. Photos and illustrations may differ slightly from actual products.



1111 W. 35th Street, Chicago, IL 60609 USA • triplite.com/support

Manual del Propietario

Sistemas UPS SmartPro[®] Interactivos Monofásicos de 1U con Salida de Onda Sinusoidal Pura

Modelos: SMART700RT1U, SMART750RT1U, SMART1000RT1U,
SMC1000RT1U, SMART1500RT1U, SMC1500RT1U

(Números de Serie: AG-05D9, AG-03AB, AG-03A8, AG-05D8, AG-03A9, AG-05C1)

English 1 • Français 63



GUARDE ESTE MANUAL

Este manual contiene instrucciones y advertencias importantes que debe seguir durante la instalación, operación, mantenimiento y almacenamiento de este producto. La omisión en la observancia de estas instrucciones y advertencias anulará la garantía.



1111 W. 35th Street, Chicago, IL 60609 EE. UU. • tripplite.com/support

Copyright © 2022 Tripp Lite. Todos los derechos reservados.

Índice

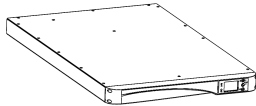
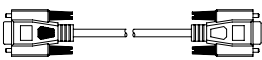
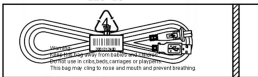
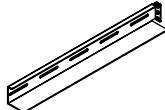
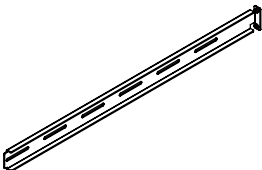
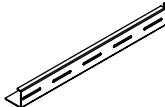

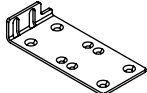
1	Vista General e Instrucciones de Seguridad	34	6	Operación	54
1.1	Instrucciones de Seguridad Importantes	35	6.1	Procedimientos de Arranque	54
1.2	Cumplimiento de Estándares	38	6.2	Procedimiento de Apagado	54
1.3	Almacenamiento	38	6.3	Arranque en Frío	54
2.	Características	39	6.4	Función de Silenciado de la Alarma	54
2.1	Características y Funciones	39	6.5	Prueba de la Batería	54
2.2	Panel Operativo	39	6.6	Condiciones de Alarma Acústica	55
2.2.1	Indicadores LED	40	6.7	Modo en Línea / Modo de AVR / Respaldo por Batería	55
2.2.2	Botones Multi-Función	40	6.8	Breaker de Alimentación	55
2.2.3	Pantalla LCD	41	6.9	Compatibilidad del Generador	55
2.2.4	Pantalla de 7 Segmentos	44	7	Interfaces de Comunicaciones	56
2.2.5	Diagrama de Flujo de la Pantalla de 7 Segmentos	45	8	Reemplazo de la Batería Interna	58
2.3	Paneles Posteriores	47	9	Accesorios Opcionales	59
2.4	Dimensiones Externas	46	10	Mantenimiento	59
3	Instalación	49	10.1	UPS	59
3.1	Datos de Instalación	49	10.2	Baterías	59
3.2	Instalación en Rack	49	10.3	Ventilador	59
3.3	Instalación en Torre	50	11	Solución de Problemas	60
4	Conexiones	51	12	Especificaciones Técnicas	61
4.1	Advertencias Previas a la Conexión	51	13	Garantía	62
4.2	Interfaz de Comunicación Conexiones	51			
4.3	Conexión de Carga Crítica	51			
4.4	Conexión a la Energía de la Red Pública	52			
5	Modos de Operación	53			
5.1	Modo en Espera	53			
5.2	Modo en Línea	53			
5.3	Modo AVR	53			
5.4	Modo de Respaldo por Batería	53			
5.5	Modo de Configuración:	53			

1 Vista General e Instrucciones de Seguridad

Los sistemas UPS SmartPro y SMC interactivos de 1U de Tripp Lite con LCD interactivo cuentan con Regulación Automática de Voltaje con energía de calidad de onda sinusoidal confiable y consistente para aplicaciones avanzadas de red. Estas unidades proporcionan energía de salida con alta eficiencia, lo que reduce costos y mantiene sus aplicaciones funcionando sin problemas en todo momento. También se incluyen interfaces RS-232, USB y ranura auxiliar SNMP (modelos selectos) para monitoreo y administración remotos.

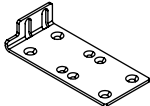

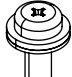





Listado de Empaque y Partes

Inspeccione el empaque externo. Si hubiera algún daño, comuníquese inmediatamente con el distribuidor a quien compró la unidad.

Nº	ÍTEM		CANT.
1	UPS		1
2	CABLE RS-232*		1
3	USB CABLE		1
4	RIEL IZQUIERDO		1
5	RIEL MEDIO		2
6	RIEL DERECHO		1
7	PLACA PARA INSTALACIÓN DEL RIEL		4
8	OREJA DE INSTALACIÓN DERECHA**		4

*Modelos selectos.

**También puede usarse para configuraciones con soportes para instalación en torre. Para más información, refiérase a 3.3 Instalación en Torre.

Nº	ÍTEM		CANT.
9	OREJA DE INSTALACIÓN IZQUIERDA**		4
10	TORNILLO M4 DE CABEZA ALOMADA CON ARANDELA		6
11	TORNILLO M5 DE CABEZA ALOMADA CON ARANDELA		4
12	TORNILLO DE CABEZA PLANA		8
13	TORNILLO M4 DE CABEZA ALOMADA CON ARANDELA		8
14	TUERCA M5 DENTADA		4
15	ARANDELA PLANA DE 15 mm		4
16	MANUAL DEL PROPIETARIO		1

1 Vista General e Instrucciones de Seguridad

1.1 Instrucciones de Seguridad Importantes

Uso Previsto

- La unidad sirve como un sistema de respaldo ininterrumpible [UPS] monofásico interactivo para sus cargas conectadas.
- No conecte impresoras láser o escáneres al UPS. Esto puede causar daños a la unidad.
- El UPS no es para uso en una sala de cómputo como se define en el Estándar para la protección de equipo Electrónico de Computación y Procesamiento de Datos ANSI/NFPA 75
- El UPS está disponible en modelos de 700VA, 750VA, 1000VA y 1500VA. Cada modelo tiene baterías internas.
- El UPS puede usarse para alimentar computadoras y los dispositivos periféricos asociados, como monitores, módems, unidades de cinta de cartucho, discos duros externos, etc.
- **Maniobras:** Transporte la unidad solo en empaques adecuados para protegerla contra sacudidas e impactos. El UPS debe mantenerse vertical en todo momento y manejarse con cuidado.

Advertencias sobre la Colocación e Instalación

- Instale el UPS en un área bien ventilada, lejos de temperaturas extremas, exceso de humedad, calor, polvo, gases inflamables o explosivos.
- Deje al menos 10 cm [4"] de espacio en la parte delantera y trasera del UPS para una ventilación adecuada.
- El mantenimiento y servicio eléctrico requieren acceso al frente y la parte posterior del UPS. Deje el espacio necesario para permitir el acceso del personal de servicio al UPS.
- **Instalaciones únicamente en EE UU:** El UPS no es para uso en una sala de cómputo como se define en la Protección de Equipo de Tecnología de la Información ANSI/NFPA 75. Para ayuda, póngase en contacto con Soporte de Tripp Lite.
- El UPS puede instalarse verticalmente (instalación en torre) u horizontalmente (instalación en rack) de acuerdo con la disposición deseada por el usuario. Observe lo siguiente:
- No instale el UPS con su panel frontal o posterior viendo hacia abajo en ningún ángulo.
- Mantenga el UPS vertical en todo momento y manéjelo con cuidado.
- No apile las unidades.
- No coloque objetos sobre el UPS ni ningún otro accesorio asociado con el UPS.
- Instale el UPS en una superficie nivelada y uniforme.
- Para instalación en torre, asegúrese de que el piso de su ubicación elegida pueda soportar el peso del UPS y los soportes para torre (opcional).
- Para instalación en rack, asegúrese de que su gabinete elegido pueda soportar el peso del UPS, el módulo de baterías externas (opcional) y los rieles que pueden instalarse en un rack asociado. También debe tomar en consideración la carga del peso en el piso de su ubicación elegida.
- Para instalación en rack, no permita que su rack se vuelva "pesado en la parte superior".
- Instale el equipo más pesado cerca de la parte inferior del rack.
- Para información acerca del peso del UPS, consulte la sección **12 Especificaciones Técnicas**.
- Instale el UPS de acuerdo con las condiciones especificadas en la sección **3.1 Datos de Instalación**.
- Para reducir el riesgo de descarga eléctrica, instale el UPS en un área interior con temperatura y humedad controladas sin contaminantes conductores.
- La temperatura de operación es de 0 °C ~ 40 °C [32 °F ~ 104 °F].

1 Vista General e Instrucciones de Seguridad

Advertencias Generales

- Peligro de descarga eléctrica: incluso cuando el UPS esté desconectado de la energía de CA de la red pública, puede aún existir voltaje peligroso en los tomacorrientes del UPS. Antes del mantenimiento, interrumpa la fuente de CA y desconecte el UPS. Después de eso, siga las instrucciones en **8 Reemplazo de la Batería Interna** para retirar las baterías internas. Sólo después de completados los procedimientos anteriores puede ejecutarse una acción adicional de mantenimiento.
- Incluso cuando todos los switches y/o breakers estén abiertos, hay voltaje peligroso dentro de la unidad.
- No abra ni retire la cubierta del UPS. Hacerlo implica el riesgo de una descarga eléctrica de alto voltaje. No contiene partes a las que el usuario pueda dar servicio.
- Solo personal de servicio calificado debe realizar mantenimiento y servicio al UPS. Solo personal calificado debe llevar a cabo cualquier operación que requiera abrir y/o retirar los paneles de protección.
- Cualquier reparación o modificación por parte del usuario puede resultar en cargos por reparación fuera de garantía o condiciones eléctricas inseguras.
- No use cables de extensión para conectar el UPS a un tomacorriente de CA.
- No enchufe el cable de alimentación del UPS en sus propios tomacorrientes.

Advertencias de Uso


- Antes de usarlo, debe desempacar el UPS y permitirle ajustar a temperatura ambiente 20 °C ~ 25 °C [68 °F ~ 77 °F] por al menos dos horas para evitar condensación de humedad dentro del UPS.
- Las ventilas y aberturas externas en el UPS están provistas para ventilación. Para garantizar la operación confiable del UPS y para proteger al UPS contra sobrecalentamiento, no deben bloquearse ni cubrirse estas ventilas y aberturas. No inserte ningún objeto en las ranuras y aberturas que pueda dificultar la ventilación.
- Aunque todos los botones estén en la posición OFF, el UPS no está aislado de la energía de la red pública. Para aislar completamente el UPS de la energía de la red pública, desconecte por favor el cable de alimentación.
- La unidad suministra energía desde dos fuentes, energía de la red pública y las baterías. Los tomacorrientes de salida pueden tener voltaje presente incluso cuando la unidad esté desconectada. Desenchufar el UPS lo pone en modo de respaldo por batería y las baterías suministran energía a las cargas conectadas.
- Coloque bien todos los cables para que nadie pueda pararse sobre ellos o tropezar con ellos.
- Al conectar la unidad a la fuente de alimentación, siga las instrucciones indicadas en la sección **4 Conexiones**.
- Asegúrese de que no entren objetos (p. ej. anillos, collares, clips de papel, etc.) dentro de la unidad.
- En una emergencia, apague la unidad, desconéctela de la energía de la red pública y póngase en contacto con un representante de servicio al cliente de Tripp Lite.
- No conecte ningún equipo que requiera corriente CD.
- No conecte algún equipo que pueda sobrecargar el UPS.
- No conecte ni desconecte ningún cable durante una tormenta eléctrica.
- La suma de fuga de corriente del UPS y sus cargas conectadas no debe exceder 3.5 mA.
- El UPS tiene un puerto EPO (apagado de emergencia) y un ROO (encendido y apagado remoto) ubicados en la parte posterior de la unidad. Para más información, refiérase a la sección **7 Interfaces de Comunicación**.
- Para evitar el posible riesgo de fuga de corriente, el UPS debe estar bien conectado a tierra. La unidad está equipada con una línea principal de seguridad inspeccionada y debe conectarse a un tomacorrientes de pared aterrizado. Si el tomacorrientes de pared no tiene una conexión a tierra física, por favor conecte a tierra el UPS a través de la terminal de tierra ubicada en la parte posterior del UPS. Para más información, refiérase a la sección **2.3 Panel Posterior**.
- Asegúrese de que los tomacorrientes en la unidad o el tomacorriente de pared conectado a tierra sean fácilmente accesibles.

Precauciones de la Batería

- No abra ni mutile la(s) batería(s). El electrolito liberado es dañino a la piel y ojos y puede ser tóxico. Si el electrolito salpica los ojos o la piel, lave de inmediato con agua y busca asesoramiento médico inmediato.
- No deseche la(s) batería(s) en el fuego. Las baterías pueden explotar.
- El riesgo de voltaje peligroso es posible cuando las baterías siguen conectadas al UPS, a pesar de que el UPS esté

1 Vista General e Instrucciones de Seguridad

desconectado de la energía de la red pública. No olvide desconectar el cable de la batería para interrumpir completamente la fuente de la batería.

- El voltaje siempre está presente en las terminales de la batería.
- El UPS contiene baterías, que son potencialmente peligrosas para el usuario, aún cuando el UPS no esté conectado a la energía de la red pública.
- Incluso cuando esté descargada, una batería tiene la capacidad de suministrar una alta corriente de cortocircuito, lo que, además de causar daño a la batería misma y a los cables asociados, puede exponer al operador al riesgo de quemaduras.
- Para garantizar el rendimiento de la batería, si necesita almacenar el UPS por un período prolongado, las baterías en reposo deben recargarse completamente cada tres meses. Cada vez que recargue las baterías (internas y externas), cargue completamente hasta que el gráfico de barra  de nivel de batería mostrado en el LCD del UPS esté completamente encendido.
- Ya que las baterías nuevas a menudo no proporcionan capacidad completa después de una carga inicial, puede ser necesario llevar a cabo una serie de ciclos de descarga y recarga antes de alcanzar un rendimiento óptimo.
- El servicio a las baterías y módulos de baterías debe ser ejecutado o supervisado por personal de servicio calificado con conocimientos en baterías, módulos de baterías y de las precauciones requeridas.
- Use solamente el mismo tipo de baterías del mismo proveedor. Nunca use al mismo tiempo baterías viejas con nuevas y de diferente Ah.
- Una batería puede presentar un riesgo de descarga eléctrica y alta corriente de cortocircuito. Deben observarse las siguientes precauciones al trabajar con baterías:
 - Retire relojes, anillos u otros objetos metálicos.
 - Use herramientas con mangos aislados.
 - Use botas y guantes de hule.
 - No coloque herramientas o partes metálicas sobre las baterías.
 - Desconecte la fuente de carga antes de conectar o desconectar las terminales de la batería.

Desecho

- Para proteger nuestro medio ambiente, el UPS y las baterías deben desecharse de acuerdo con las leyes y reglamentos locales.
- Para la eliminación adecuada del UPS y las baterías, póngase en contacto con su centro local de reciclado y reutilización de desechos peligrosos.



ADVERTENCIA: Si ocurre cualquiera de los siguientes eventos, póngase en contacto con personal de servicio calificado:

- Se derrama o salpica el líquido sobre el UPS o el módulo de baterías externas opcional.
- El UPS no funciona normalmente después de observar cuidadosamente este manual del usuario.

1 Vista General e Instrucciones de Seguridad

1.2 Cumplimiento de Estándares

Seguridad:

- UL1778
- CAN CSA - C22.2 N° 107.3-14

Emisiones:


- FCC Parte 15 Clase B

1.3 Almacenamiento

Previo a la Instalación

Si necesita guardar el UPS antes de la instalación, debe colocarse en un área seca. La temperatura de almacenamiento permitida y la humedad relativa (sin condensación) son $-15\text{ °C} \sim 50\text{ °C}$ [$5\text{ °F} \sim 122\text{ °F}$] y $0\% \sim 95\%$, respectivamente.

Después del uso

Presione el botón de apagado, desconecte el UPS de la energía de la red pública, asegúrese de que el UPS esté apagado, retire todo el equipo del UPS y almacene el UPS en un área seca y bien ventilada a una temperatura entre -15 °C y 50 °C [5 °F y 122 °F] y una humedad relativa (sin condensación) entre $0\% \sim 95\%$. Si necesita almacenar el UPS por un período prolongado, las baterías en reposo deben recargarse completamente cada tres meses. Cada vez que recargue las baterías, cargue completamente hasta que el gráfico de barra  de nivel de batería mostrado en el LCD del UPS esté completamente encendido.

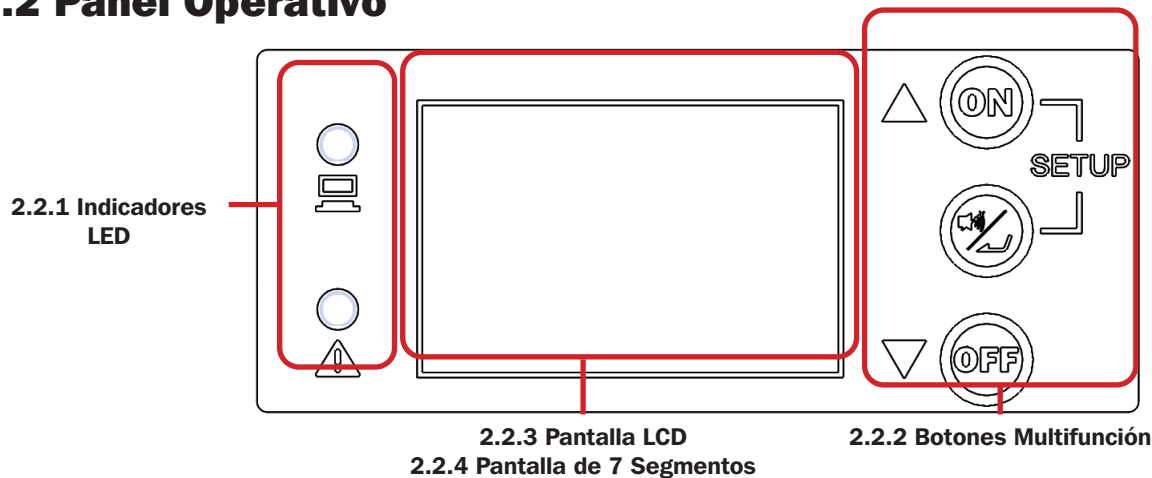
Nota: Después de almacenar y antes de arrancar el UPS, debe permitir que se ajuste a la temperatura del cuarto entre 20 °C y 25 °C [68 °F y 77 °F] por al menos dos horas para evitar condensación de humedad dentro del UPS.

2 Características

2.1 Características y Funciones





- Indicadores LED y LCD fáciles de usar
- Hasta 0.98 de eficiencia en modo de línea
- Arranque en Frío
- Función EPO / R00
- Protección por Breaker de Entrada
- Compatible con generador
- Baterías internas Hot-Swap
- Protección contra descarga profunda de la batería
- Conectividad del software de monitoreo inteligente a través del puerto RS-232 o del puerto USB
- Proporciona las siguientes funciones mediante la configuración de software, tarjeta SNMP (opcional) o tarjeta Modbus (opcional):
 - Auto-diagnóstico regular
 - Monitoreo de la condición de energía en tiempo Real
 - Control de apagado del sistema
 - Encendido y apagado programado del UPS, prueba de descarga de batería de 10 segundos
- Salida de forma de onda sinusoidal
- Protección contra sobretensiones y sobrecarga
- Administración de red
- Instalación en Rack o Torre

2.2 Panel Operativo







2 Características


2.2.1 Indicadores LED

LED	Descripción
 	Indica el estado de la salida. <ol style="list-style-type: none"> 1. Encendido (Verde): Hay salida. 2. Apagado: no hay salida.
 	Indica el estado de advertencia. <ol style="list-style-type: none"> 1. ENCENDIDO (Rojo): El UPS está en modo de falla. 2. Destellando (Rojo): Las condiciones de trabajo del UPS son anormales.

2.2.2 Botones Multifunción

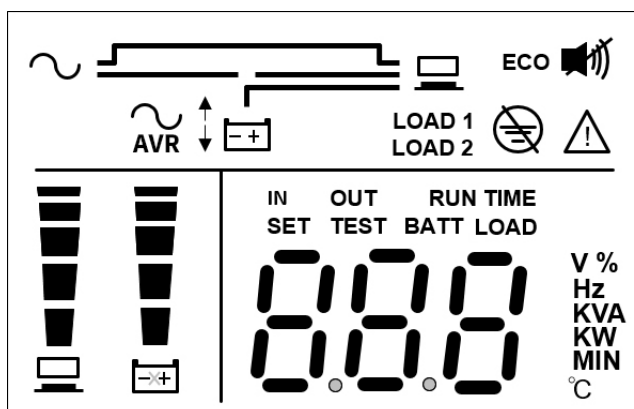
Botón Multifunción	Descripción
	Este botón tiene tres funciones: <ol style="list-style-type: none"> 1. Encender <ul style="list-style-type: none"> • Cuando el UPS esté en modo en espera, presione el botón y manténgalo presionado durante 3 segundos. Suelte después de escuchar un bip para que el UPS opere en modo en línea. • Arranque en frío: Cuando no haya entrada de CA, oprima el botón y manténgalo oprimido durante 4 segundos. Suelte después de escuchar un bip para que el UPS arranque en modo de respaldo por batería. 2 Prueba de la Batería <ul style="list-style-type: none"> • Una prueba de la batería sólo puede ejecutarse en modo en línea. • Para una prueba manual de la batería, presione y sostenga el botón por 3 segundos. Suéltelo después de escuchar un bip. El UPS se transferirá para funcionar en modo de respaldo por batería y ejecutará una prueba de la batería de 10 segundos. Si el resultado de la prueba es normal, la pantalla de 7 segmentos mostrará 'PAS' y el UPS regresará al modo en línea. Si el resultado de la prueba es anormal, la pantalla de 7 segmentos mostrará 'FAL', destellará el ícono de reemplazo de batería/sin batería () y el UPS regresará al modo en línea. 3. Desplazamiento hacia Arriba / Aumento del Número <ul style="list-style-type: none"> • Presione el botón por 0.1 segundos para ir a la pantalla anterior o aumentar el número.
	Este botón tiene dos funciones: <ol style="list-style-type: none"> 1. Encendido y Apagado de la alarma <p>Cuando la alarma esté encendida, presione el botón por 0.1 segundos para apagar la alarma. Cuando la alarma esté apagada, presione el botón por 0.1 segundos para encender la alarma.</p> 2 Confirmación <ul style="list-style-type: none"> • En el modo de configuración, presione el botón por 0.1 segundos para ingresar al elemento que desea configurar o para confirmar la configuración de su parámetro
	Este botón tiene tres funciones. <ol style="list-style-type: none"> 1. Apagar <ul style="list-style-type: none"> • Cuando el UPS esté en modo en línea, presione y sostenga el botón por 3 segundos. Suéltelo después de escuchar un bip. El inversor se apagará y el UPS se transferirá al modo en espera. El UPS continuará cargando las baterías cuando el UPS esté en modo en espera. Para apagar completamente el UPS, desconecte completamente el UPS de la energía de entrada. • Cuando el UPS esté en modo de respaldo por batería, presione y sostenga el botón por 3 segundos. Suelte después de escuchar un bip para que el UPS apague su salida. 2 Borrado de Falla <p>Cuando el UPS tenga una condición de falla, presione el botón y manténgalo presionado durante 3 segundos. Suelte después de escuchar un bip para que el UPS borre la condición de falla y regrese al modo en espera.</p> 3. Desplazamiento hacia Abajo / Disminución de Número <p>Presione el botón por 0.1 segundos para ir a la siguiente pantalla o disminuir el número.</p>








2 Características

Botón Multifunción	Descripción
	<p>1. Ingreso al Modo de Configuración Presione simultáneamente estos dos botones por 3 segundos para ingresar al modo de configuración.</p> <p>2 Salida del Modo de Configuración: En modo de configuración, presione simultáneamente estos dos botones por 3 segundos para salir del modo de configuración.</p>







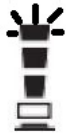






Nota: Cuando la retroiluminación del LCD esté apagada, presione cualquier botón antes mencionado para iluminar la pantalla y activar la función de cada botón.

2.2.3 Pantalla LCD









Ícono	Nombre del Ícono	Descripción
	Ícono de Entrada de CA	Indica el estado de la fuente de entrada. 1. Encendido: La entrada de CA está dentro del rango aceptable de entrada. 2 Destellando: La entrada de CA está fuera del rango aceptable de entrada, pero aún es suficiente para cargar la batería. 3. Apagado: La entrada de CA está fuera del rango aceptable de entrada y no es suficiente para cargar la batería.
	Ícono del Banco de Carga	Indica el estado de la salida. 1. Encendido: Hay salida al banco de carga 1 / banco de carga 2. 2 Apagado: No hay salida para el banco de carga 1 / banco de carga 2.
	Ícono de Energía de la Batería	Indica el estado de la energía de la batería. 1. Encendido: La batería está encendida. 2 Apagado: La salida no es suministrada por la energía de la batería.
	Gráfico de Modo en Espera	Se enciende cuando el UPS está operando en modo en espera.
	Gráfico de Modo en Línea	Se ilumina cuando el UPS está trabajando en modo en línea.
	Gráfico de Modo de AVR	Se ilumina cuando el UPS está trabajando en modo de AVR.
	Gráfico de Modo de Respaldo por Batería	Se enciende cuando el UPS está operando en modo de respaldo por batería.

2 Características

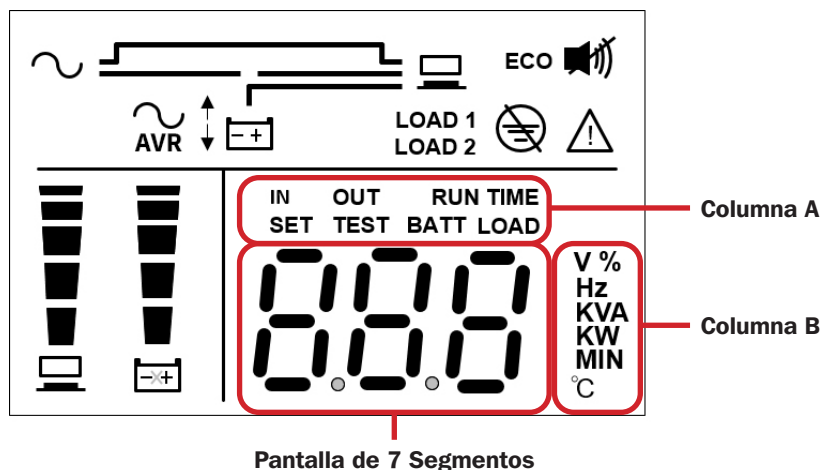
Indicadores Gráficos de Barras de Nivel de Carga / Batería				
Nivel de la Batería	Modo en Línea (Carga)		Modo de Respaldo por Batería (Descarga)	
100 %		Se iluminarán todos los segmentos		Se iluminarán todos los segmentos
80%-99%		Los primeros cuatro segmentos se iluminarán y el quinto segmento destellará		Se iluminarán los primeros cuatro segmentos
60%-79%		Los primeros tres segmentos se iluminarán y el cuarto segmento destellará		Se iluminarán los tres primeros segmentos
40%-59%		Se encenderán los dos primeros segmentos y destellará el tercer segmento		Se iluminarán los dos primeros segmentos
20%-39%		Se encenderá el primer segmento y destellará el segundo segmento		Se iluminará el primer segmento
1%-19%				Destellará el primer segmento
0 %		Destellará el primer segmento		No hay segmentos iluminados

2 Características

Ícono	Nombre del Ícono	Descripción
	Ícono de AVR	Se ilumina cuando el UPS trabaja en modo de AVR.
	Ícono de Falta de Cableado en el Sitio	Advertencia de cableado del sitio.
	Ícono del Zumbador	Se ilumina cuando el zumbador está desactivado.
	Ícono de Advertencia	El código de error aparecerá en la pantalla de 7 segmentos. Para información relevante de la pantalla de 7 segmentos, refiérase a la tabla en la sección 2.2.4 para cada código de error y pantalla.
	Gráfico de Barras de Nivel de Carga	Indica el estado del nivel de carga. Refiérase a la tabla “Indicadores Gráficos de Barras de Nivel de Carga / Batería” en la página anterior para ver los niveles de indicadores y porcentajes de la batería. 1. Encendido El gráfico de barras se ilumina de acuerdo con el nivel de carga. 2 Destellando El gráfico de barras destella cuando ocurre una situación de sobrecarga.
	Gráfico de Barras del Nivel de Batería	Indica el estado del nivel de la batería. Refiérase a la tabla “Indicadores Gráficos de Barras de Nivel de Carga / Batería” en la página anterior para ver los niveles de indicadores y porcentajes de la batería. 1. Encendido El gráfico de barras se ilumina de acuerdo con la capacidad restante de la batería. 2 Destellando El primer segmento destella cuando la batería está baja.

2 Características

2.2.4 Pantalla de 7 Segmentos



Nota: Lea la palabra mostrada en la columna A junto con la de la Columna B para interpretar el significado de la pantalla.

Ícono	Descripción
IN (Entrada)	IN y V Cuando IN y V se iluminan juntos, se muestra el voltaje de entrada. IN y Hz Cuando IN y Hz se iluminan juntos, se muestra la frecuencia de entrada.
OUT (Salida)	OUT y V Cuando OUT y V se iluminan juntos, se muestra el voltaje de salida. OUT y Hz Cuando OUT y Hz se iluminan juntos, se muestra la frecuencia de salida.
SET	Cuando se ilumina SET , el UPS está en modo de configuración. Puede configurar los siguientes elementos mediante el LCD. Para ver cómo ingresar al modo de configuración, refiérase a la sección 5.5 Modo de Configuración . 1. Alarma acústica 2. Voltaje del inversor 3. Sensibilidad de entrada
TEST	Cuando TEST destella, el UPS está ejecutando una prueba de la batería.
BATT	BATT y % Cuando BATT y % se iluminan juntos, se muestra la capacidad restante de la batería. BATT y V Cuando BATT y V se iluminan juntos, se muestra el voltaje de la batería. RUN TIME y MIN Cuando RUN TIME y MIN se iluminan juntos, se muestra el tiempo de autonomía de la batería bajo la carga actual.
LOAD (Carga)	LOAD y % Cuando LOAD y % se iluminan juntos, se muestra la capacidad de carga total. LOAD y KVA Cuando LOAD y KVA se iluminan juntos, se muestra la carga total en KVA. LOAD y KW Cuando LOAD y KW se iluminan juntos, se muestra la carga total en KW.

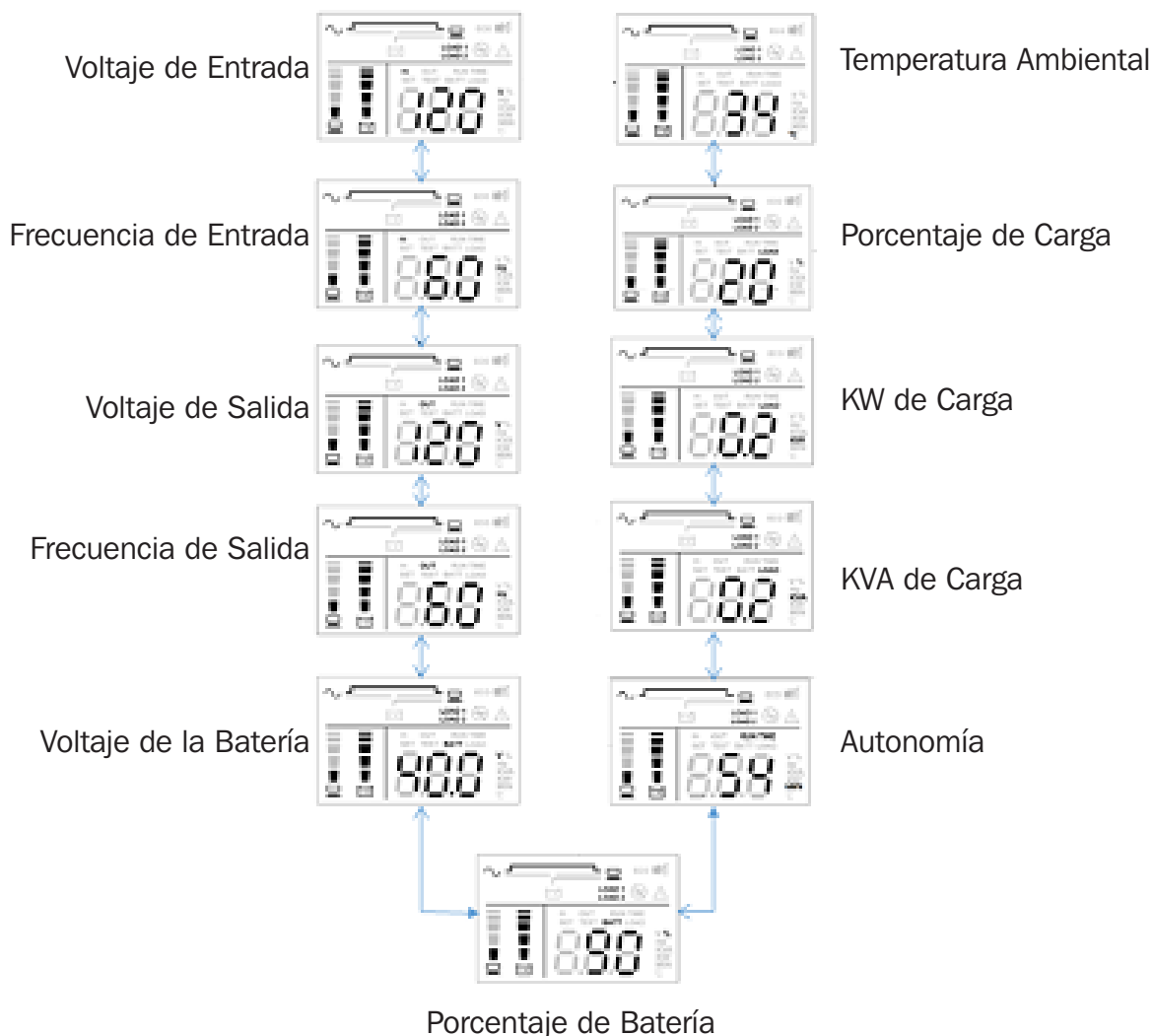
2 Introducción

Ícono	Descripción
V	Indica voltaje
%	Indica porcentaje
Hz	Indica frecuencia
kVA	Indica kilovolt-amperes (potencia aparente)
kW	Indica kilowatts (potencia real)
MIN	Indica minutos

2.2.5 Diagrama de Flujo de la Pantalla de 7 Segmentos

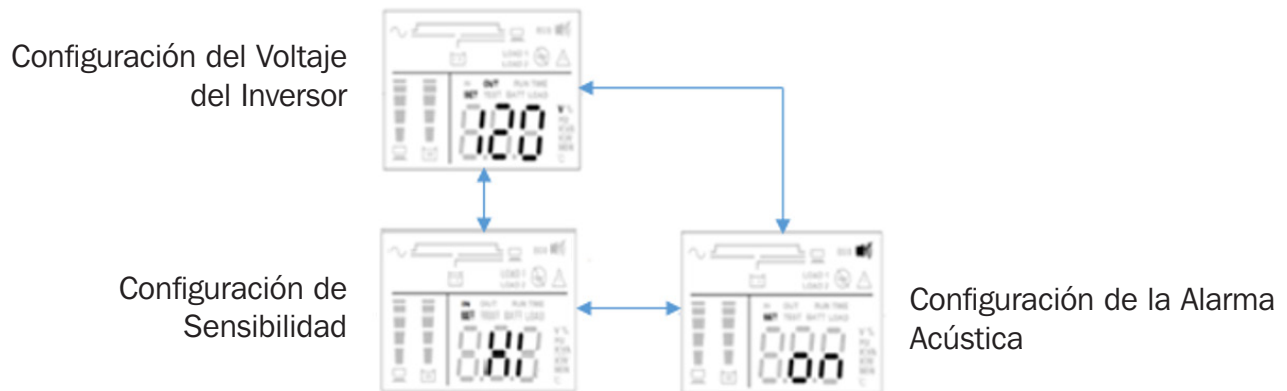
El siguiente diagrama de flujo explica cómo navegar por cada pantalla. Las capturas de pantalla siguientes usan el 'Modo en Línea' como ejemplo. Cada uno de los diagramas de pantalla mostrados es solo para referencia. La pantalla real depende de la operación del UPS.

Pantallas de Estado de la Energía del UPS y el Sitio:



2 Introducción

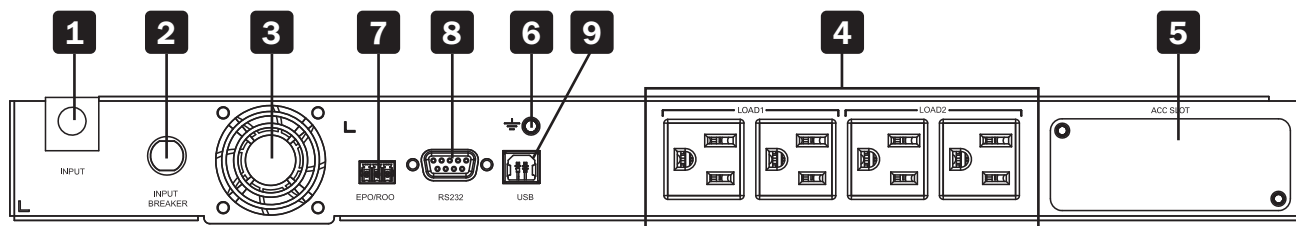
Pantallas de Configuración del UPS:



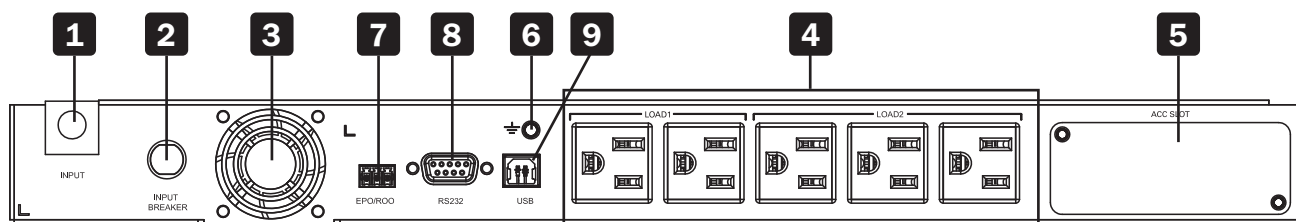
2 Introducción

2.3 Paneles Posteriores

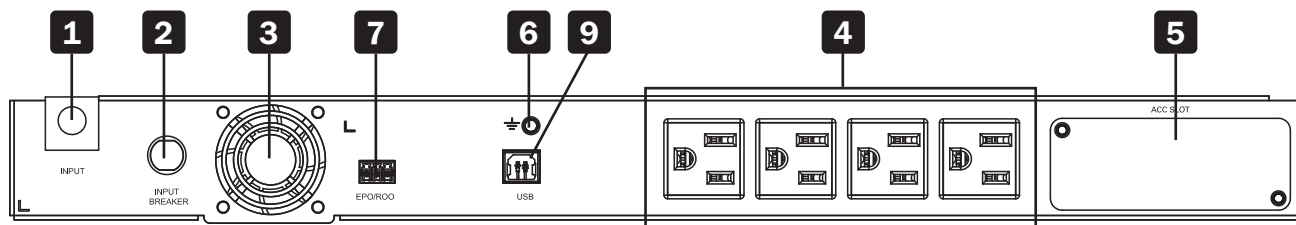
SMART700RT1U, SMART750RT1U



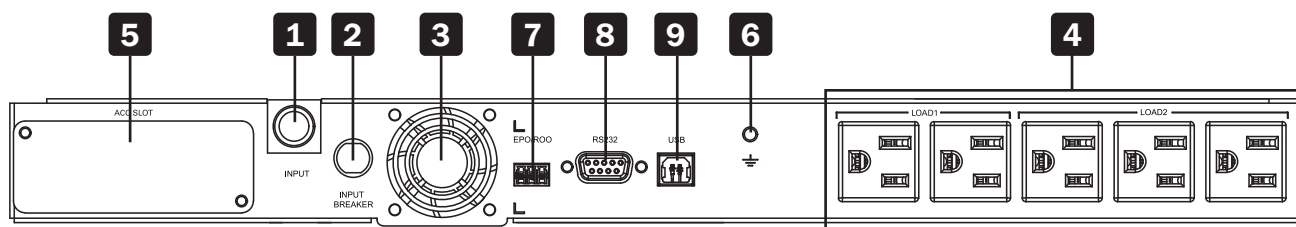
SMART1000RT1U



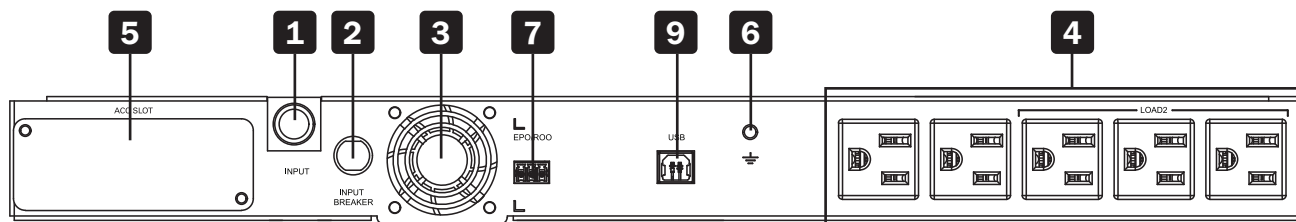
SMC1000RT1U



SMART1500RT1U



SMC1500RT1U



2 Introducción

Nº	Elemento	Función
1	Entrada de CA	Conecta el UPS a la red pública de CA.
2	Breaker de Alimentación	Protege la energía de la red pública contra más daños cuando el UPS falla. Para más información, refiérase a la sección 6.8 Breaker de Entrada .
3	Ventilador	Enfría y ventila el UPS.
4	Tomacorrientes	Conecta a sus cargas.
5	Ranura para tarjetas	Acepta una tarjeta de interfaz de red WEBCARDLX opcional que permite acceso remoto total. Para más información, refiérase a la sección 7 Interfaces de Comunicación .
6	Terminal de Conexión a Tierra	Para conexión a tierra del UPS.
7	Puerto EPO / ROO	Para más información, refiérase a la sección 7 Interfaces de Comunicación .
8	Puerto RS-232*	Puerto de interfaz de comunicación. Para más información, refiérase a la sección 7 Interfaces de Comunicación . *Los modelos SMC no incluyen esta función
9	Puerto USB	Puerto de interfaz de comunicación. Para información detallada, refiérase a la sección 7 Interfaces de Comunicación .

2.4 Dimensiones Externas

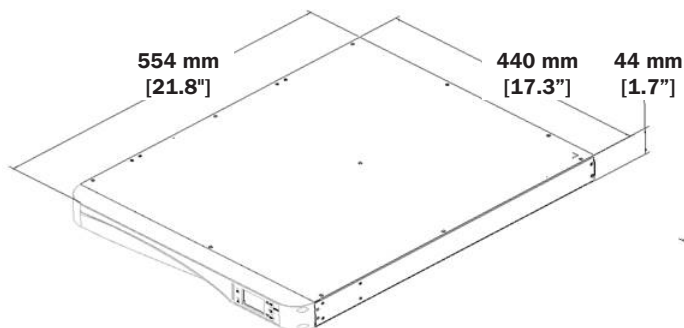


Figura 2-1: 1.5kVA Exterior y Dimensiones

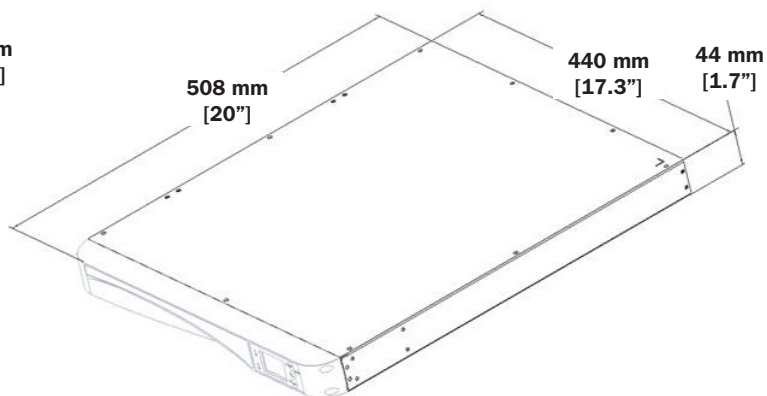


Figura 2-1: 700VA - 1000VA Exterior y Dimensiones

3 Instalación

Notas:

- Antes de la instalación, lea cuidadosamente la sección **1.1 Instrucciones de Seguridad Importantes**.
- Cada modelo contiene baterías internas.
- Solo personal calificado debe realizar la instalación.

3.1 Datos de Instalación

Rubro	Especificación
Entorno de Instalación	Solo para interiores
Dimensiones del UPS [Al x An x Pr]	1.5kVA: 44 x 440 x 554 mm [1.7" x 17.3" x 21.8"] 700VA - 1200VA: 44 x 440 x 508 mm [1.7 "x 17.3" x 20"]
Temperatura de Operación	0 °C ~ 40 °C [32 °F ~ 104 °F]
Humedad Relativa (sin condensación)	0%~95%
Máximo Altitud (sin degradación)	1000 m [3,280 pies] sobre el nivel del mar
Conexión de Energía de Entrada	Atrás
Conexión de Energía de Salida	Atrás
Conexión de Energía de la Batería	Atrás
Entrada de Aire	Frente
Salida de Aire	Atrás

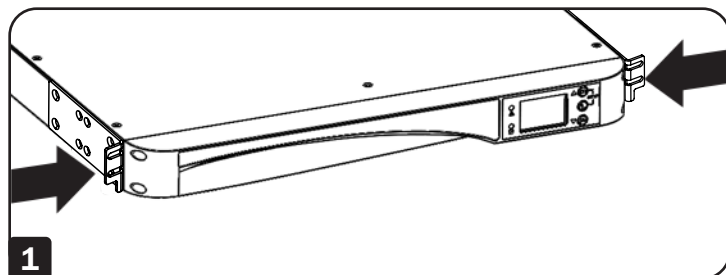
3.2 Instalación en Rack

Puede instalar el UPS para rack en un bastidor de 4 postes o gabinete.

Notas:

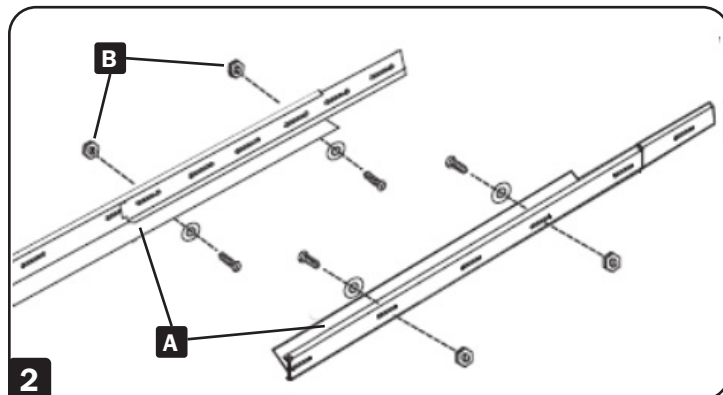
- El UPS jala aire de enfriamiento de su frente. Si su rack tiene una puerta en el frente, asegúrese de que haya suficiente espacio entre las ventilas del UPS y la puerta del rack.
- Se recomienda insistentemente que al menos dos personas levanten la unidad cuando se instala en el rack. Si sólo hay una persona disponible, sugerimos que las baterías internas del UPS se retiren para tener menos peso antes de la instalación en rack. Después de la instalación en rack, reinstale las baterías internas.
- Use solo las orejas de soporte y juegos de riel suministrados para la instalación en rack. Nunca dependa de dispositivos inferiores para soportar el UPS.

- 1** Coloque las orejas de soporte incluidas en los orificios laterales de instalación del UPS.

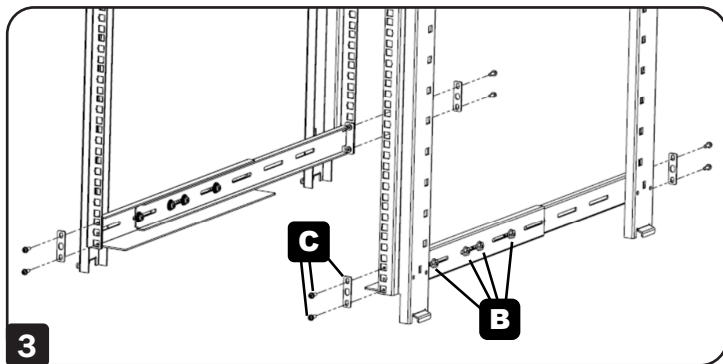


3 Instalación

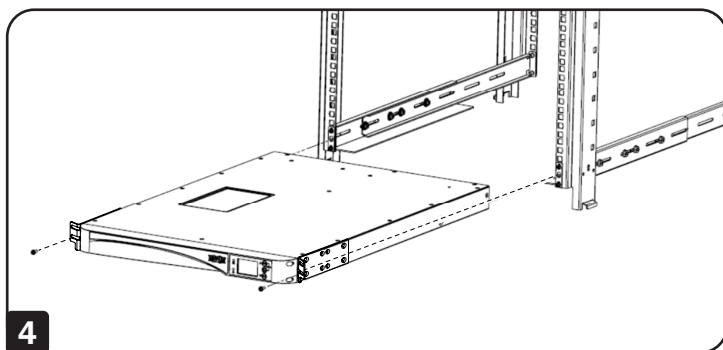
2 Conecte los dos segmentos de cada riel **A** usando los tornillos y tuercas **B** incluidos. Deje los tornillos ligeramente flojos para que los rieles puedan ajustarse en el paso siguiente.



3 Ajuste cada riel para adaptarse a su rack, después instálelos en el espacio más bajo disponible de su rack con los tornillos, tuercas y placas suministradas **C**. Tenga en cuenta que los bordes de apoyo deben mirar hacia adentro. Apriete los tornillos que conectan los segmentos del riel **B**.



4 Inserte el UPS en el rack y apriete los cuatro tornillos suministrados.

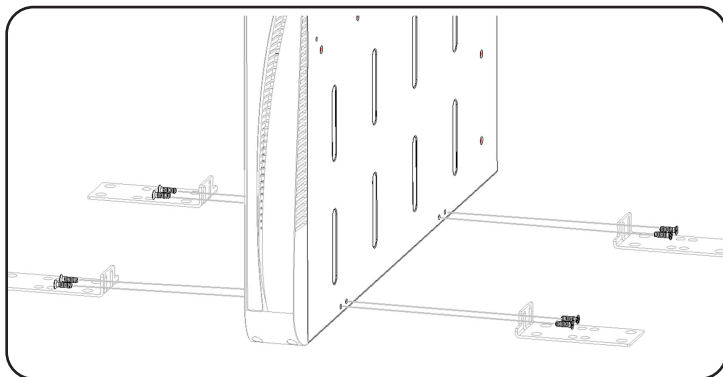


3.3 Instalación en Torre

Notas:

- Use los accesorios incluidos para instalar los modelos del UPS en una posición de torre vertical.
- Antes de la instalación, el usuario debe determinar la adecuación de los accesorios y procedimientos.

1 Coloque su UPS en su sitio con el panel de LED en la parte superior. Usando los tornillos incluidos, fije una oreja para instalación en rack a cada lado del UPS.



4 Conexiones

4.1 Advertencias Previas a la Conexión

1. Antes de la conexión, lea la sección **1.1 Instrucciones de Seguridad Importantes**.
2. El UPS es suministrado con un cable de alimentación estándar y tomacorrientes adecuados para su uso en su área de operación. Solo personal calificado debe realizar instalación, cableado, operación y mantenimiento.
3. Antes de conectar cualquier cableado de entrada al UPS, asegúrese de que todos los circuitos que se estén usando tengan el voltaje y corriente adecuados requeridos para el UPS. La fuente de alimentación al UPS debe ser monofásica de acuerdo con su etiqueta de especificación.
4. Calcule el consumo de potencia de las cargas conectadas para asegurarse que no ocurra una condición de sobrecarga.
5. Antes de suministrar cualquier energía al UPS, el UPS debe estar correctamente conectado a tierra. La unidad está equipada con una línea de alimentación con inspección de seguridad y debe conectarse a un tomacorrientes de pared aterrizado. Si el tomacorrientes de pared no tiene una función de aterrizado, por favor conecte a tierra el UPS a través de la terminal de tierra ubicada en la parte posterior del UPS. Para más información, refiérase a la sección **2.3 Paneles Posteriores**.

4.2 Conexiones de la Interfaz de Comunicación

Las interfaces de comunicación del UPS de la Serie SMART y SMC de 0.7 kVA ~ 1.5kVA selectas pueden incluir un puerto RS-232, un puerto USB, una ranura inteligente y un puerto EPO/ROO. Para sus ubicaciones, refiérase a la sección **2.3 Paneles Posteriores**. Para obtener más información sobre las interfaces de comunicación, refiérase a la sección **7 Interfaces de Comunicación**.

4.3 Conexión de Carga Crítica

1. Antes de conectar, lea la sección **4.1 Advertencias Previas a la Conexión**.
2. Calcule el consumo de potencia de sus cargas para asegurarse de que no ocurra una condición de sobrecarga.
3. Siga sus cargas para seleccionar los cables adecuados para conectar los tomacorrientes del UPS y las cargas.
4. Enchufe el(los) cable(s) de alimentación del equipo en los tomacorrientes del UPS ubicados en la parte posterior de la unidad.

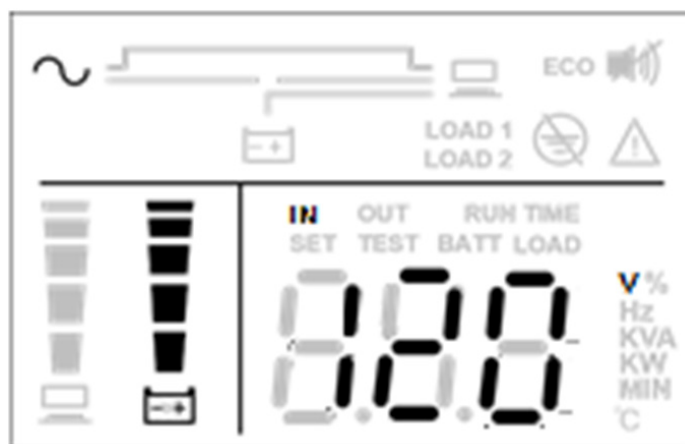


ADVERTENCIA: No conecte impresoras láser o escáneres al UPS.

4 Conexiones

4.4 Conexión de Energía de la Red Pública

1. Antes de conectar, lea la sección **4.1 Advertencias Previas a la Conexión**.
2. Use el cable de alimentación suministrado para conectar el UPS y un tomacorriente de pared que tenga una función de conexión a tierra. Si el tomacorrientes de pared no tiene una conexión de tierra, por favor conecte a tierra el UPS a través de la terminal de conexión a tierra. Para la ubicación de la terminal a tierra, refiérase a la sección **2.6 Paneles Posteriores**.
- 3 Después de que el UPS esté conectado a la red pública de CA, la red pública suministrará energía al UPS. Una vez suministrada la energía, el ventilador (en el panel posterior) funcionará y los LEDs y LCD se encenderán por 2 ~ 3 segundos. El usuario puede comprobar si los LEDs y el LCD están normales. La configuración predeterminada del UPS se configurará en modo en espera.



Pantalla Inicial después de la Conexión de Energía de la Red Pública / Modo en Espera

Notas:

- La captura de pantalla anterior es para referencia solamente. Lo que se muestra de hecho depende de la operación del UPS.
- El UPS cargará sus baterías internas cuando el UPS esté conectado a la fuente de CA.
- Es recomendable que cargue las baterías internas del UPS hasta que el gráfico de barras de nivel de batería mostrado en el LCD del UPS aparezca lleno. Si las baterías del UPS no están completamente cargadas, puede aún usar el UPS de inmediato, pero el tiempo de autonomía en respaldo por batería puede ser inferior al esperado normalmente.
- Si el UPS va a estar fuera de servicio o almacenado por un período prolongado, debe recargar completamente las baterías cada tres meses para que el gráfico de barras de nivel de batería mostrado en el LCD del UPS aparezca completo.
- Las baterías empezarán a cargar inmediatamente después de la disponibilidad de la energía de entrada.

5 Modos de Operación

Notas:

- Para aprender a usar el panel de operación y comprender el LCD, refiérase a la sección **2.2 Panel de Operación**.
- Cada uno de los diagramas de pantalla que se muestran en esta sección es solo para referencia. La pantalla real depende del modo de operación del UPS.

5.1 Modo en espera

Después que el UPS esté conectado a la red pública de CA, suministrará energía al UPS y las baterías se cargarán.

5.2 Modo en Línea

En modo en línea, las cargas conectadas son alimentadas directamente por la energía de la red pública en bruto, sin acondicionamiento y las baterías son cargadas.

5.3 Modo de AVR

En el modo de AVR, las cargas críticas son suministradas por la energía acondicionada de la red pública y las baterías son cargadas.

5.4 Modo en Respaldo por Batería

Cuando el UPS está operando durante un apagón, las baterías proporcionan energía de CD al inversor para soportar las cargas críticas conectadas.









5.5 Modo de Configuración

Nota: Solo personal de servicio calificado debe ejecutar una acción de configuración.

En el modo de configuración, puede configurar lo siguiente:

- Silenciado de Alarma
- Voltaje del inversor
- Configuración de sensibilidad

Para configurar el UPS:

1. Presione simultáneamente el botón ON y el botón de confirmación  por 3 segundos o más para ingresar al modo de configuración.
2. Presione el botón de desplazamiento  o  por 0.1 segundos para seleccionar el elemento de configuración.
3. Presione el botón de confirmación  por 0.1 segundos para activar la selección de parámetro.
4. Presione el botón de desplazamiento  o  por 0.1 segundos para seleccionar el parámetro deseado.
5. Presione el botón  de confirmación por 0.1 segundos para confirmar su parámetro.
6. En el modo de configuración, presione simultáneamente el botón ON y el botón de confirmación  por 3 segundos o más. El LCD regresará a la pantalla de inicio original.
7. En el modo de configuración, si no oprime ningún botón por más de 2 minutos, el LCD saldrá del modo de configuración y regresará automáticamente a la pantalla original.


Nota: La configuración de silenciado de alarma puede hacerse en todos los modos de operación. Todos los otros parámetros están disponibles solamente en modo en espera o en modo en línea.

6 Operación




Notas:

- Para aprender a usar el panel de operación y comprender el LCD, refiérase a la sección **2.2 Panel de Operación**.
- Para entender cómo usar las interfaces de comunicación del UPS, refiérase a la sección **2.3 Paneles Posteriores** y a la sección **7 Interfaces de Comunicación**.


6.1 Procedimientos de Arranque

Una vez que el UPS está conectado a la red pública de CA, ésta suministra energía al UPS. Para encender el UPS, presione y sostenga el botón  por 3 segundos y suelte después de escuchar un bip.


6.2 Procedimientos de Apagado

1. Modo de Línea: Para apagar el UPS, presione y sostenga el botón  por 3 segundos y suelte después de escuchar un bip. El inversor se apagará y el UPS se transferirá al modo en espera.
El UPS continuará cargando las baterías cuando el UPS esté en modo en espera, a pesar de que el botón  haya sido presionado. Para apagar completamente el UPS, se aconseja desconectar el cable de alimentación.
2. Modo de Respaldo por Batería: Para apagar el UPS, presione y sostenga el botón  por 3 segundos y suelte después de escuchar un bip. El UPS apagará su salida.

6.3 Arranque en Frío


Incluso cuando no haya energía de la red pública, puede encender el UPS. Presione y sostenga el botón  por 3 segundos y suéltelo después de escuchar un bip. El UPS arrancará y funcionará en modo de respaldo por batería.



6.4 Función de Silenciado de la Alarma

Si la alarma está encendida, presione el botón  y la alarma se silenciará. Si ocurre cualquier nuevo evento de alarma, la alarma se encenderá nuevamente.

6.5 Prueba de la Batería

Nota: Las pruebas de la batería sólo pueden realizarse en modo en línea y en modo de AVR.

Para realizar una prueba de la batería, presione y sostenga el botón  por 3 segundos y suelte después de escuchar un bip. El UPS transferirá al modo de respaldo por batería y ejecutará una prueba de la batería de 10 segundos.

- Si el resultado de la prueba es normal: El LCD mostrará 'PAS' y el UPS regresará al modo en línea o al modo de AVR (de acuerdo con su modo de operación original).
- Si el resultado de la prueba es anormal: El LCD mostrará 'FAL', los LED destellarán, se encenderán el ícono de advertencia  y el ícono de reemplazo de batería / sin batería  y el UPS regresará al modo en línea o al modo de AVR (de acuerdo con su modo de operación original).

6 Operación

6.6 Condiciones de la Alarma Acústica

Condición	Alarma
Modo de Respaldo por Batería	La alarma acústica suena una vez cada 5 segundos.
Batería Baja	La alarma acústica suena una vez cada 2 segundos.
Apagado por Batería Baja	La alarma acústica suena una vez cada 0.5 segundos.
Advertencia de Alarma	La alarma acústica suena una vez cada 2 segundos.
Falla	La alarma acústica suena una vez cada 0.5 segundos.
La Alarma de Watchdog Es Activada y Watchdog Es Activado	La alarma acústica suena 3x con las siguientes características: <ul style="list-style-type: none">• Bip de 250 ms seguido por 250 ms de silencio• 4 segundos de silencio• Repetir

6.7 Corte por Sobrecarga en Modo de Línea / Modo de AVR / Modo de Respaldo por Batería

Cuando el UPS está 106% ~ 120% sobrecargado en modo en línea y modo de AVR: El gráfico de barra del nivel de carga destellará, la alarma sonará constantemente y el UPS se apagará en 300 segundos.

Cuando el UPS está 120% ~ 150% sobrecargado en modo en línea y modo de AVR: El gráfico de barra del nivel de carga destellará, la alarma sonará constantemente y el UPS se apagará en 60 segundos.

Cuando el UPS está >150% sobrecargado en modo en línea y modo de AVR: El gráfico de barra del nivel de carga destellará, la alarma sonará constantemente y el UPS se apagará en 10 segundos.

Cuando el UPS está 106% ~ 120% sobrecargado en modo de Respaldo por Batería: El gráfico de barra del nivel de carga destellará, la alarma sonará constantemente y el UPS se apagará dentro de 10 segundos.

Cuando el UPS está >120% sobrecargado en modo de Respaldo por Batería: El gráfico de barra del nivel de carga destellará, la alarma sonará constantemente y el UPS se apagará dentro de 1 segundo.

6.8 Breaker de Entrada

Cuando la energía de entrada tiene un problema de sobrecorriente en el modo en línea, el breaker de entrada en la parte posterior del UPS se activará automáticamente.

- La unidad se transferirá al modo de respaldo por batería. Después de resolver el problema anormal, presione el breaker de entrada y la unidad cambiará automáticamente al modo en línea.
- Si no hay energía de la batería, el UPS se apagará automáticamente. Después de resolver el problema anormal, presione el breaker de entrada y siga los procedimientos de arranque para arrancar el UPS.

Nota: Cuando el breaker de entrada se activa automáticamente, hay un problema con el UPS o las cargas conectadas. Es muy recomendable apagar el UPS, retirar el cable de alimentación y dejar que personal de servicio calificado inspeccione el UPS, sus cargas conectadas y el entorno circundante.

6.9 Compatibilidad del Generador

Los sistemas UPS que se muestran en este manual son compatibles para operar con la mayoría de los generadores disponibles.

7 Interfaces de Comunicaciones

Nota: El UPS puede aún funcionar correctamente sin hacer las siguientes conexiones.

Las interfaces de comunicación del UPS incluyen un puerto RS-232, un puerto USB, una ranura auxiliar y un puerto EPO / ROO. Para sus ubicaciones, refiérase a la sección **2.3 Paneles Posteriores**.

Puerto RS-232

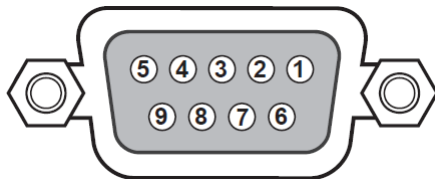


Figura 7-1: Puerto RS-232

Estos puertos conectan su UPS a cualquier estación de trabajo o servidor. Use con el Software PowerAlert® de Tripp Lite y el cable RS-232 incluido para habilitar su computadora para guardar automáticamente los archivos abiertos y apagar el equipo durante un apagón. Use además el Software PowerAlert para monitorear una amplia variedad de condiciones de la línea CA y de operación del UPS. Para más información, consulte su manual del Software PowerAlert o póngase en contacto con Soporte al Cliente de Tripp Lite. Para instrucciones de instalación, consulte “Comunicaciones USB y seriales RS-232” en la sección “Conexiones opcionales”.

Las comunicaciones de contacto seco son relativamente directas, pero un poco de conocimiento de los aparatos electrónicos es necesario para la configuración. Las asignaciones de pines del puerto DB9 se muestran en el diagrama anterior.

- Si la batería del UPS está baja, el UPS envía una señal puenteando las terminales 8 y 5.
- Si falla la energía de la red pública, el UPS envía una señal puenteando las terminales 1 y 5.

Para apagar en forma remota el UPS, los Pines 3 y 9 cortos por al menos 3.8 segundos.

Puerto USB

El puerto USB proporciona otro canal para que el usuario registre eventos de energía del UPS, monitoree el estado del UPS, ajuste el voltaje de transferencia, configure alarmas y apague el UPS con seguridad mediante una computadora. Simplemente enchufe el cable USB en el UPS y su computadora, instale el software y siga los indicadores en su pantalla para completar la instalación del software.

Ranura para tarjetas

Puede elegir tarjetas opcionales para monitorear el UPS o para mejorar la función del UPS. La lista de tarjetas opcionales se muestra en la siguiente tabla.

Tarjeta Opcional	Función
WEBCARDLX	Monitorea y controla en forma remota el estado del UPS mediante el sistema de red.

Nota: Para más información sobre tarjetas opcionales o para comprar una tarjeta opcional, póngase en contacto con su distribuidor local o servicio al cliente de Tripp Lite.

7 Interfaces de Comunicaciones

Puerto EPO / ROO

EPO: El apagado de emergencia permite al usuario apagar el UPS cuando ocurre una emergencia. El reinicio del UPS requiere una intervención manual.

ROO: El encendido y apagado remoto permite el accionamiento remoto de los botones “ON” y “OFF” para encender o apagar el UPS:

Conecte un contacto normalmente cerrado (60VCD / 30VCA 20mA Máx., 0.75 mm² de sección transversal de cable) entre los dos pines del puerto (Figura 7-2)

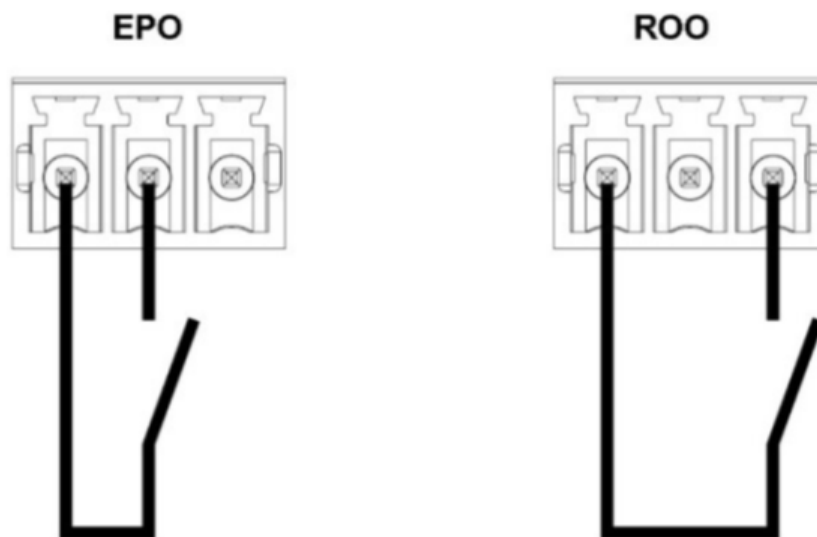


Figura 7-2: Puerto EPO / ROO

Para EPO

Breve contacto: Apagado del UPS

Para ROO

Breve contacto para abrir: Apagado del UPS

Contacto abierto a corto: Arranque del UPS

8 Reemplazo de la Batería Interna



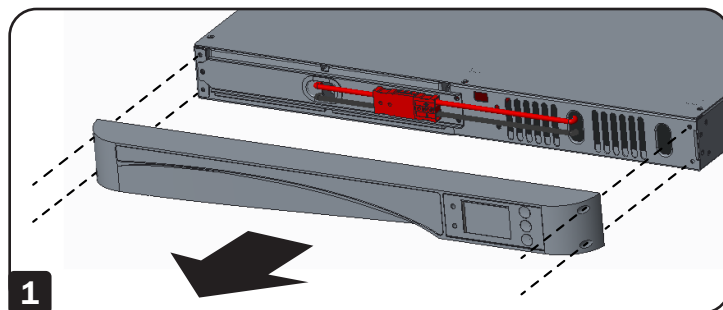
ADVERTENCIA:

1. Apague el UPS y apague la fuente de CA antes de reemplazar el módulo de baterías o la batería.
2. Una batería puede presentar un riesgo de descarga eléctrica y alta corriente de cortocircuito.
3. El servicio a las baterías y módulos de baterías debe ser ejecutado o supervisado por personal de servicio calificado con conocimientos en baterías, módulos de baterías y de todas las precauciones requeridas.
4. Use solamente el mismo tipo de baterías del mismo proveedor. Nunca mezcle baterías viejas y nuevas o baterías de diferentes amperajes.
5. Mantenga al personal no autorizado alejado de las baterías y módulos de baterías.
6. Antes de reemplazar las baterías deben observarse las siguientes precauciones:
 - Retire relojes, anillos y otros objetos metálicos.
 - Use herramientas con mangos aislados.
 - Use guantes de hule.
 - No coloque herramientas o partes metálicas sobre las baterías.
 - Desconecte la fuente de carga antes de conectar o desconectar las terminales de la batería.
7. Lea cuidadosamente las Precauciones de la Batería en la sección **1 Instrucciones de Seguridad Importantes** antes de reemplazar las baterías.

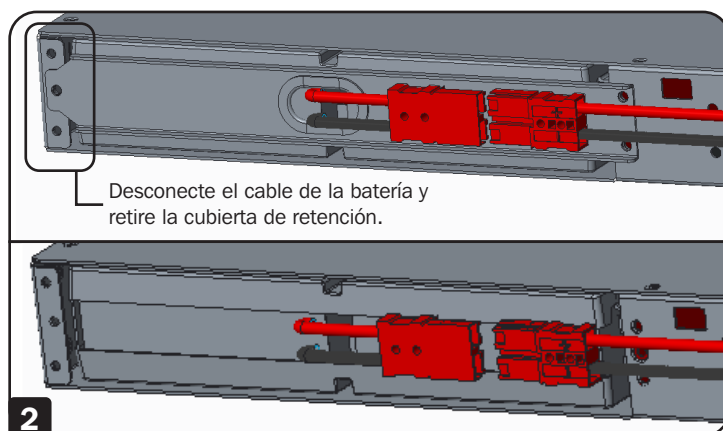
Modelos	SMART700RT1U	SMART750RT1U/SMART1000RT1U, SMC1000RT1U	SMART1500RT1U/ SMC1500RT1U
Número de Batería de Reemplazo	RBC129-1U	RBC247-1U	RBC367-1U

- 1** Retire los cuatro tornillos del bisel frontal y jale lentamente del bisel del gabinete para evitar daños al cable plano del LCD

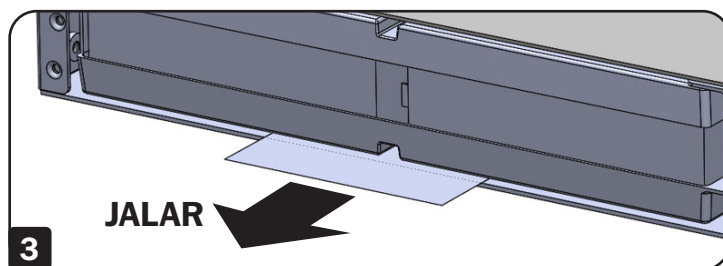
Nota: No ponga sus dedos en la abertura entre el panel de plástico frontal y la caja.



- 2** Desconecte los cables de la batería, retire los tornillos de la cubierta de retención de la batería y la cubierta.



- 3** Use la pestaña de tiro para retirar las baterías internas.



9 Accesorios Opcionales

Puede usarse una tarjeta accesoria para administración de red WEBCARDLX opcional para monitorear y controlar en forma remota el estado del UPS a través de una red. Para obtener más información, póngase en contacto con su distribuidor o visite tripplite.com/products/power-management-software-hardware~10.

10 Mantenimiento

10.1 UPS

Limpieza del UPS

Limpie regularmente el UPS, especialmente ventilas y aberturas, para asegurar que el aire fluye libremente en el UPS para evitar sobrecalentamiento. Si es necesario, use aire comprimido para limpiar las ventilas y aberturas para evitar que cualquier objeto bloquee o cubra estas áreas.

Inspección Regular del UPS

Revise el UPS regularmente cada seis meses e inspeccione:

- Si el UPS, LEDs y la función de alarma están funcionando normalmente.
- Si el voltaje de la batería es normal. Si el voltaje de la batería es demasiado alto o demasiado bajo, refiérase a la tabla en la sección **11 Solución de Problemas**.

10.2 Baterías

Los sistemas UPS SMART/SMC de 700VA, 750VA, 1000VA y 1500VA usan baterías selladas de plomo-ácido. La vida típica de la batería es de 3 a 5 años. Sin embargo, la vida real de la batería depende de la temperatura, uso y la frecuencia de carga/descarga. Los ambientes con alta temperatura y alta frecuencia de carga y descarga acortarán la vida de la batería. El UPS no requiere mantenimiento por el usuario; sin embargo, las baterías deben comprobarse periódicamente. Observe las sugerencias siguientes para asegurar una vida normal de la batería.

- Mantenga la temperatura de uso a 20 °C a 25 °C [68 °F a 77 °F].
- Si el UPS se almacena por un período prolongado de tiempo, las baterías en reposo deben recargarse completamente cada tres meses. Cargue completamente las baterías hasta que el gráfico de barras de nivel de batería mostrado en el LCD indique que las baterías están totalmente cargadas.

Nota: El reemplazo de la batería debe llevarse a cabo solo por personal de servicio calificado. Si las baterías internas del sistema UPS necesitan reemplazo, póngase en contacto con su distribuidor de Tripp Lite. Durante el reemplazo de la batería, las cargas conectadas al UPS no estarán protegidas si falla la energía de entrada.

10.3 Ventilador

Las altas temperaturas acortan la vida del ventilador. Cuando el UPS esté funcionando, compruebe que cada ventilador trabaje normalmente y asegure que el aire pueda moverse libremente alrededor y a través del UPS.

Nota: Para más información de mantenimiento, póngase en contacto con Soporte Técnico de Tripp Lite. No realice el mantenimiento si no está calificado para ello.

11 Solución de Problemas

Notas:

- Si ocurre un problema, asegúrese de que el voltaje de entrada de la red pública esté presente antes de ponerse en contacto con el personal de servicio.
- Tenga lista la siguiente información antes de comunicarse con el personal de servicio:
 - Información de la unidad, incluyendo modelo, número de serie, etc.
 - Una descripción exacta del problema. Cuanto más detallada sea la descripción del problema, mejor.
 - Si el UPS muestra un código de error, refiérase a la siguiente tabla para diagnosticar y resolver el problema.

Código de Error	Definición	Causa Posible	Solución
F01	El Voltaje del Inversor es Alto.	El UPS tiene anomalías.	Póngase en contacto con el personal de servicio.
F02	El Voltaje del Inversor es Bajo	El UPS tiene anomalías.	Póngase en contacto con el personal de servicio.
F03	O/P Short	La salida tiene un problema de corto circuito.	1. Compruebe si la salida tiene un problema de corto circuito. 2. Póngase en contacto con el personal de servicio.
F04	Falla Interna	El UPS tiene anomalías.	Póngase en contacto con el personal de servicio.
F06	El Relevador del Inversor Está Pegado	El UPS tiene anomalías.	Póngase en contacto con el personal de servicio.
F07	El voltaje de Compensación de CD de la Salida es Alto	El UPS tiene anomalías.	Póngase en contacto con el personal de servicio.
F17	Falla del Cargador	El cargador está dañado.	Póngase en contacto con el personal de servicio.
F21	WatchDog está Activado	El UPS tiene anomalías.	Póngase en contacto con el personal de servicio.
F26	Apagado por Batería Baja	El UPS se transfiere para funcionar en modo de respaldo por batería debido a anomalías en la energía de la red pública de CA. Sin embargo, la energía de la batería está casi agotada.	1. Compruebe la fuente de CA principal y el estado del cable de alimentación principal. 2. Póngase en contacto con el personal de servicio.
F27	Sobre temperatura	La temperatura del UPS es demasiado alta.	1. Compruebe si la ventilación del UPS es normal. 2. Reduzca las cargas. 3. Compruebe si el ventilador funciona normalmente. 4. Limpie los filtros (si están instalados).
F28	Falla del Ventilador	El ventilador está dañado o atascado.	1. Compruebe si hay material extraño atascado en el ventilador. Si es así, retírelo. 2. Póngase en contacto con el personal de servicio.
F29	Apagado de EPO	Se ejecuta un apagado de emergencia.	Después de eliminar los eventos de emergencia, siga los procedimientos de encendido para arrancar el UPS.
F30	Se Presenta Falla del Sitio	Falta el cable de tierra o la línea y el neutro están invertidos.	Póngase en contacto con su electricista local para comprobar la distribución de energía.

Otros Problemas que Pueden Ocurrir

Código de Error	Problema	Causa Posible	Solución
F20	Sobrecarga	El UPS está sobrecargado.	Reduzca sus cargas conectadas.
F22	Batería Faltante	1. Batería interna no instalada. 2. Los cables de la batería no están conectados o los conectores están flojos.	1. Póngase en contacto con el personal de servicio o soporte al cliente de Tripp Lite. 2. Conecte los cables de la batería y conéctelos firmemente.
F23	Batería Débil / Reemplazo de la Batería	Las baterías están dañadas o al final de su vida útil.	Póngase en contacto con el personal de servicio o Soporte al Cliente de Tripp Lite.

Nota: Si se eliminan todas las causas posibles pero la alarma permanece, póngase en contacto con su distribuidor local o personal de servicio.

12 Especificaciones Técnicas

Modelo	SMART700RT1U	SMART750RT1U	SMART1000RT1U	SMC1000RT1U	SMART1500RT1U	SMC1500RT1U
Voltaje Nominal y Rango de Entrada	100V~, 120V~, 127V~, 80V~162V (Alta Sensibilidad) 70V ~ 162V (Baja Sensibilidad)					
Frecuencia de Entrada Nominal y Tolerancia	(-4 Hz / +20 Hz para Alta Sensibilidad; -10 Hz / +20 Hz para Baja Sensibilidad) 60 Hz (-4 / +10 Hz)					
Voltaje Nominal de Salida	120V~ en Modo de Línea y 115V~ en Modo de Respaldo por Batería					
Frecuencia Nominal de Salida	50 Hz (-4 Hz / +20 Hz para Alta Sensibilidad; -10 Hz / +20 Hz para Baja Sensibilidad) 60 Hz (-4 / +10 Hz)					
Regulación del Voltaje de Salida en Modo de Línea	120V~ (-16%/+16%)					
Regulación del voltaje de salida en modo de respaldo por batería:	120V~(-10%/+6%)					
Potencia nominal de salida en W / VA:	420W/700VA @ 120V~/127V~ 350W/583VA 100V~	600W/750VA @ 120V~/127V~ 500W/625VA @ 100V~	770W/1 000VA @ 120V~/127V~ 641W/833VA @ 100V~	600W/1 000VA @ 120V~/127V~ 500W/833VA @ 100V~	1 100W/1 440VA @ 120V~/127V~ 825W/1080VA (100V~)	1 100W/1 440VA @ 120V~/127V~ 825W/1 083VA (100V~)
Forma de Onda de Voltaje de Salida	Sinusoidal en Modo de Línea y en Modo de Respaldo por Batería					
Corriente Máxima de Salida @ F.P.	5.83A @ 100V~ 5.84A @ 120V~ 5.52A @ 127V~	6.25A @ 100V~ 6.25A @120V~ 5.91A @ 127V~	8.33A @ 100V~ 8.34A @120V~ 7.88A @ 127V~	8.33A @ 100V~ 8.34A @120V~ 7.88A @ 127V~	10.8A @ 100V~ 12A @ 120V~ 11.34A @ 127V~	10.8A @ 100V~ 12A @ 120V~ 11.34A @ 127V~
	F.P. = 0.6	F.P. = 0.8	F.P. = 0.8	F.P. = 0.6	F.P. = 0.76	PF. = 0.76
Eficiencia con Carga Nominal	98%					
Altitud Máxima de Funcionamiento al 100% de la Potencia Nominal	1 000 m [3 280 pies]					
Capacidad de Sobrecarga en Línea	<120% 5 minutos; <150% 1 minuto; >=150% 10 segundos					
Capacidad de Sobrecarga en Modo de Respaldo por Batería	<120% 10 segundos; >=120% 1 segundo					
Limitación de Corriente	10A	10A	15A	15A	15A	15A
Tiempo de Autonomía a Plena Carga	3 minutos @ 420W	3 minutos @ 600W	3 minutos @ 770W	3 minutos @ 770W	2 minutos @ 1100W	2 minutos @ 1100W
Tiempo de Recarga de la Batería	6 horas @ recarga al 90 % con una descarga de carga R del 50 %					
Tiempo de Transferencia	6 ~ 8 milisegundos típico (<10 milisegundos máx.)					
Tomacorrientes	4 tomacorrientes 5-15R con respaldo por batería, regulación, sobretensiones	4 tomacorrientes 5-15R con respaldo por batería, regulación, sobretensiones	5 tomacorrientes 5-15R con respaldo por batería, regulación y sobretensiones	4 tomacorrientes 5-15R con respaldo por batería, regulación y sobretensiones	5 tomacorrientes 5-15R con respaldo por batería, regulación y sobretensiones	5 tomacorrientes 5-15R con respaldo por batería, regulación y sobretensiones
Corriente Máxima de Entrada	6.01A 6.01A 5.69A	6.44A 6.44A 6.09A	8.59A 8.60A 8.12A	8.59A 8.60A 8.12A	10.8A 12.0A 11.34A	10.8A 12.0A 11.34A

13 Garantía

Aviso de la FCC, Clase B

Este dispositivo cumple con la parte 15 del Reglamento de la FCC. La operación está sujeta a las siguientes dos condiciones: (1) Este dispositivo no puede causar interferencia perjudicial, y (2) este dispositivo debe aceptar cualquier interferencia recibida, incluso aquella que pudiera causar un funcionamiento no deseado.

Nota: Este equipo ha sido probado, y cumple con los límites para un dispositivo digital Clase B, de conformidad con la parte 15 de los Reglamentos de la FCC. Estos límites están diseñados para proporcionar una protección razonable contra interferencias perjudiciales en una instalación residencial. Este equipo genera, usa y puede radiar energía de radiofrecuencia y si no se instala y usa de acuerdo con las instrucciones, puede causar interferencia perjudicial a las radiocomunicaciones. Sin embargo, no hay garantía de que no ocurra interferencia en una instalación específica. Si este equipo causa interferencia perjudicial a la recepción de radio o televisión, que puede determinarse apagando y encendiendo el equipo, se recomienda al usuario intentar corregir la interferencia por medio de una o más de las siguientes medidas:

- Reoriente o reubique la antena receptora.
- Aumente la separación entre el equipo y el receptor.
- Conecte el equipo en un tomacorriente en un circuito diferente al que está conectado el receptor.
- Consulte al distribuidor o a un técnico experimentado en radio y TV para obtener ayuda.

Cualquier cambio o modificación en este equipo que no esté aprobado expresamente por Tripp Lite puede invalidar la autoridad del usuario para operarlo.

Números de Identificación de Conformidad Regulatoria

Para el propósito de certificaciones e identificación de cumplimiento normativo, a su producto Tripp Lite se le ha asignado un número de serie único. El número de serie se puede encontrar en la etiqueta de placa de identificación, junto con todas las marcas e información requeridas de aprobación. Al solicitar información de conformidad para este producto, refiérase siempre al número de serie. El número de serie no debe confundirse con el nombre de la marca o el número de comercialización del producto.

No se recomienda el uso de este equipo en aplicaciones de soporte de vida donde razonablemente se pueda esperar que la falla de este equipo cause la falla del equipo de soporte de vida o afectar significativamente su seguridad o efectividad.

Tripp Lite tiene una política de mejora continua. Las especificaciones están sujetas a cambio sin previo aviso. Las fotografías e ilustraciones pueden diferir ligeramente de los productos reales.



Manuel de l'utilisateur

Onduleurs 1U triphasés interactifs en ligne SmartPro® avec sortie d'ondes sinusoïdales pures

Modèles : SMART700RT1U, SMART750RT1U, SMART1000RT1U,
SMC1000RT1U, SMART1500RT1U, SMC1500RT1U

(numéros de série : AG-05D9, AG-03AB, AG-03A8, AG-05D8, AG-03A9, AG-05C1)

English 1 • Español 32



CONSERVER CE MANUEL

Ce manuel contient des instructions et des avertissements importants qui doivent être respectés pendant l'installation, le fonctionnement, l'entreposage et l'entretien de ce produit. Le non-respect de ces instructions et de ces avertissements annulera la garantie.



1111 W. 35th Street, Chicago, IL 60609 USA • triplite.com/support

Droits d'auteur © 2022 Tripp Lite. Tous droits réservés.

Table des matières

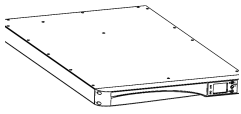
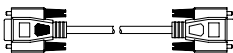
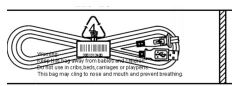
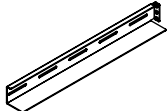
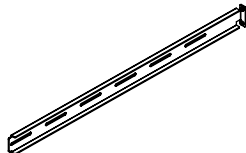
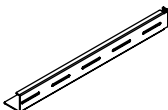

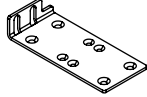
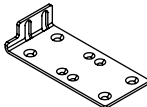
1	Aperçu et consignes de sécurité	65	6	Fonctionnement	84
1.1	Consignes de sécurité importantes	66	6.1	Procédures de démarrage	84
1.2	Conformité aux normes	68	6.2	Procédure de mise hors tension	84
1.3	Entreposage	68	6.3	Démarrage à froid	84
2.	Caractéristiques	69	6.4	Fonction de sourdine de l'alarme	84
2.1	Caractéristiques et fonctions	69	6.5	Test de la batterie	84
2.2	Panneau de commande	69	6.6	Conditions d'alarme sonore	85
2.2.1	voyants à DEL	70	6.7	Mode en ligne/mode AVR/batterie Mode coupure de surcharge	85
2.2.2	Boutons multifonction	70	6.8	Disjoncteur d'entrée	85
2.2.3	Affichage ACL	71	6.9	Compatibilité de la génératrice	85
2.2.4	Affichage à 7 segments	74	7	Interfaces de communication	86
2.2.5	Organigramme de l'affichage à 7 segments	75	8	Remplacement des batteries internes	88
2.3	Panneaux arrière	77	9	Accessoires en option	89
2.4	Dimensions externes	78	10	Entretien	89
3	Installation	79	10.1	Onduleur	89
3.1	Données pour l'installation	79	10.2	Batteries	89
3.2	Installation dans un bâti	79	10.3	Ventilateur	89
3.3	Installation en tour	80	11	Dépannage	90
4	Connexions	81	12	Caractéristiques techniques	91
4.1	Avertissements avant le raccordement	81	13	Garantie	92
4.2.	Interface de communication Connexions	81			
4.3	Connexion de la charge critique	81			
4.4	Raccordement au service public d'électricité	82			
5	Modes de fonctionnement	83			
5.1	Mode Standby (attente)	83			
5.2	Mode en ligne	83			
5.3	Mode AVR	83			
5.4	Mode batterie	83			
5.5	Mode de configuration	83			

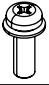
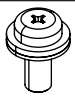

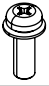



1 Aperçu et consignes de sécurité

Les onduleurs 1U interactifs en ligne SmartPro et SMC de Tripp Lite avec un écran ACL interactif comportent une régulation automatique de la tension avec une alimentation sinusoïdale de qualité, fiable et constante pour les applications de mise en réseau avancées. Ces appareils fournissent une puissance de sortie à haut rendement qui réduit les coûts et assurent en tout temps le fonctionnement en douceur de vos applications. Les interfaces RS-232, USB et la fente pour accessoires SNMP (sur certains modèles) intégrées sont incluses pour la surveillance et la gestion à distance.

Emballage et liste des pièces

Inspecter l'emballage externe. Si des dommages sont observés, contacter immédiatement le fournisseur chez qui l'appareil a été acheté.

NON.	ÉLÉMENT		Quantité
1	Onduleur		1
2	CÂBLE RS-232*		1
3	CÂBLE USB		1
4	RAIL GAUCHE		1
5	RAIL INTERMÉDIAIRE		2
6	RAIL DROIT		1
7	PLAQUE DE MONTAGE SUR RAIL		4
8	OREILLE DE MONTAGE DROIT**		4
9	OREILLE DE MONTAGE GAUCHE**		4

NON.	ÉLÉMENT		Quantité
10	VIS À TÊTE CYLINDRIQUE M4 AVEC RONDELLE		6
11	VIS À TÊTE CYLINDRIQUE M5 AVEC RONDELLE		4
12	VIS À TÊTE PLATE		8
13	VIS À TÊTE CYLINDRIQUE M4 AVEC RONDELLE		8
14	ÉCROU CANNÉ M5		4
15	RONDELLE PLATE 15 mm		4
16	MANUEL D'UTILISATION		1

*Certains modèles.

**Peut également être utilisé pour des configurations de support pour tour. Consulter 3.3 Installation en tour pour plus d'informations.

1 Aperçu et consignes de sécurité

1.1 Consignes de sécurité importantes

Utilisation prévue

- L'appareil sert d'onduleur interactif monophasé en ligne pour ses charges connectées.
- Ne pas brancher d'imprimantes laser ou de lecteurs à l'onduleur. Cela risquerait d'endommager l'appareil.
- L'onduleur n'est pas destiné à une utilisation dans une salle informatique au sens de la norme sur la protection des équipements informatiques et de traitement des données ANSI/NFPA 75.
- L'onduleur est offert dans des modèles de 700/750/1 000/1 500 VA. Chaque modèle comporte des batteries internes.
- L'onduleur peut être utilisé pour alimenter des ordinateurs et de l'équipement périphérique leur étant associé, comme des moniteurs, des modems ou des lecteurs de disque dur externes.
- **Manutention** : Transporter l'appareil uniquement dans un emballage approprié pour le protéger contre les secousses et les coups. L'onduleur doit être maintenu vertical en tout temps et manipulé avec précaution.

Avertissements concernant le placement et l'installation

- Installer l'onduleur dans un environnement bien ventilé, à l'écart des températures extrêmes, de l'humidité excessive, de la chaleur, de la poussière, des gaz inflammables ou des explosifs.
- Allouer au moins 15 cm (4 po) d'espace à l'avant et à l'arrière de l'onduleur pour assurer une ventilation adéquate.
- L'entretien électrique et le service requièrent l'accès à l'avant et à l'arrière de l'onduleur. Allouer suffisamment d'espace pour permettre au personnel d'entretien d'accéder à l'onduleur.
- **Installations aux États-Unis seulement** : l'onduleur n'est pas destiné à une utilisation dans une salle informatique au sens de la norme sur la protection des équipements informatiques et de traitement des données ANSI/NFPA 75. Contactez le soutien de Tripp Lite pour obtenir de l'aide.
- L'onduleur peut être installé verticalement (montage en tour) ou horizontalement (montage en bâti) selon la disposition souhaitée par l'utilisateur. Observer les précautions suivantes :
- Ne pas installer l'onduleur avec son panneau avant ou arrière faisant face vers le bas (quel que soit l'angle).
- Maintenir l'onduleur à la verticale en tout temps et le manipuler avec précaution.
- Ne pas empiler les appareils.
- Ne pas placer d'objets sur l'onduleur ou sur tout autre accessoire associé à l'onduleur.
- Installer l'onduleur sur une surface plane et horizontale.
- Pour une installation en tour, s'assurer que le sol de l'emplacement choisi peut supporter le poids de l'onduleur et les supports de la tour (en option).
- Pour une installation en bâti, s'assurer que l'armoire choisie peut supporter le poids de l'onduleur, le module de batteries externes (en option) et les rails pouvant être montés dans un bâti associé. Toujours également prendre en considération les valeurs de charge du plancher de l'emplacement choisi.
- Pour une installation pour montage en bâti, ne pas permettre au bâti de devenir trop lourd du haut.
- Installer l'équipement le plus lourd près de la partie inférieure du bâti.
- Pour des renseignements sur le poids pour l'onduleur, consulter la section **12 Caractéristiques techniques**.
- Installer l'onduleur conformément aux conditions spécifiées dans la section **3.1 Données pour l'installation**.
- Pour réduire le risque de décharges électriques, installer l'onduleur dans un environnement intérieur exempt de contaminants conducteurs où la température et l'humidité sont contrôlées.
- La température de fonctionnement se situe entre 0° et 40 °C (32° et 104 °F).

Avertissements généraux

- Risques de décharges électriques : même lorsque l'onduleur n'est pas branché à l'alimentation du secteur, une tension dangereuse peut toujours être présente au niveau des prises de sortie de l'onduleur. Avant d'effectuer l'entretien, débrancher la source CA et déconnecter l'onduleur. Suivre ensuite les instructions dans la section **8 Remplacement des batteries internes** pour retirer les batteries internes. Ne procéder à l'entretien qu'après avoir effectué les procédures ci-dessus.
- Même lorsque tous les commutateurs et/ou disjoncteurs sont ouverts, une tension dangereuse est présente dans l'appareil.

1 Aperçu et consignes de sécurité

- Ne pas ouvrir ou retirer le couvercle de l'onduleur. Cela risquerait de causer des décharges électriques haute tension. Il n'existe aucune pièce réparable par l'utilisateur à l'intérieur.
- L'entretien et la réparation de l'onduleur devraient être confiés uniquement à du personnel qualifié. Toute opération nécessitant l'ouverture et/ou le retrait des panneaux de protection devrait être confiée uniquement à du personnel qualifié.
- Toute réparation ou modification effectuée par l'utilisateur pourrait entraîner des frais de réparations hors garantie ou des conditions électriques dangereuses.
- Ne pas utiliser de rallonges électriques pour brancher l'onduleur à une prise de courant CA.
- Ne pas brancher le cordon d'entrée de l'onduleur dans ses propres prises de sortie.


Avertissements concernant l'utilisation

- Avant l'utilisation, déballez l'onduleur et le laissez s'ajuster à la température ambiante variant entre 20 et 25 °C (68 et 77 °F) pendant au moins deux heures afin d'éviter que l'humidité ne se condense à l'intérieur de l'onduleur.
- Les fentes externes et les ouvertures dans l'onduleur sont destinées à la ventilation. Pour assurer un fonctionnement fiable de l'onduleur et pour prévenir sa surchauffe, ces fentes et ces ouvertures ne doivent jamais être bloquées ou couvertes. N'insérer aucun objet dans les fentes et les ouvertures qui pourraient empêcher la ventilation.
- Même si tous les boutons se trouvent en position OFF (hors tension), l'onduleur n'est pas isolé de l'alimentation du secteur. Pour isoler complètement l'onduleur de l'alimentation du secteur, débrancher le cordon d'alimentation d'entrée.
- L'appareil fournit de l'alimentation depuis deux sources : l'alimentation du secteur et les batteries. Les prises de sortie peuvent être sous tension même si l'appareil est débranché. Lorsque l'onduleur est débranché, il passe en mode batterie et les batteries alimentent les charges connectées.
- Acheminer tous les cordons afin que personne ne puisse marcher dessus ou trébucher.
- Au moment de connecter l'appareil à la source d'alimentation, suivre les instructions qui se trouvent dans la section **4 Connexions**.
- S'assurer qu'aucun objet (p. ex. bagues, colliers, trombones) ne pénètre à l'intérieur de l'appareil.
- En cas d'urgence, mettre l'appareil hors tension, le débrancher de l'alimentation du secteur, puis contacter un représentant du service à la clientèle de Tripp Lite.
- Ne connecter aucun équipement qui nécessite du courant continu (CC).
- Ne pas connecter d'équipement qui risquerait de surcharger l'onduleur.
- Ne pas connecter ou déconnecter des câbles pendant un orage.
- La somme de la fuite de courant depuis l'onduleur et ses charges connectées ne doit pas excéder 3,5 mA.
- L'onduleur est doté d'un port EPO (arrêt d'urgence) et d'un port ROO (mise sous tension/hors tension à distance) qui se trouvent à l'arrière de l'appareil. Consulter la section **7 Interfaces de communication** pour de plus amples informations.
- Pour éviter le risque possible de fuite de courant, l'onduleur doit être correctement mis à la terre. L'appareil est doté d'une entrée d'alimentation ayant fait l'objet d'une vérification de sécurité et doit être connecté à une prise murale mise à la terre. Si la prise murale n'est pas mise à la terre, mettre l'onduleur à la terre par le biais de la borne de mise à la terre située à l'arrière de l'onduleur. Consulter la section **2.3 Panneau arrière** pour de plus amples informations.
- S'assurer que les prises sur l'appareil ou la prise murale mise à la terre sont libres d'accès.

Précautions concernant les batteries

- Ne pas ouvrir ou endommager la batterie ou les batteries. Les électrolytes dégagés sont dangereux pour la peau et les yeux et peuvent être toxiques. En cas d'éclaboussures d'électrolytes dans les yeux ou sur la peau, rincer immédiatement à l'eau, puis consulter immédiatement un médecin.
- Ne pas jeter la ou les batteries dans le feu. Les batteries risqueraient d'exploser.
- Il existe un risque de tension dangereuse quand les batteries sont toujours connectées à l'onduleur, même si l'onduleur n'est plus branché au secteur. Ne pas oublier de déconnecter le câble des batteries pour couper complètement la source de batteries.
- De la tension est toujours présente sur les bornes des batteries.
- L'onduleur comporte des batteries qui présentent un danger potentiel pour l'utilisateur, même si l'onduleur n'est pas connecté au service public d'électricité.

1 Aperçu et consignes de sécurité

- Même lorsqu'elle est déchargée, une batterie a la capacité de fournir un courant élevé du court-circuit qui, en plus de causer des dommages à la batterie même et aux câbles associés, peut exposer l'opérateur à des risques de brûlures.
- Pour garantir la performance des batteries, les batteries non utilisées doivent être rechargées complètement une fois tous les trois mois si l'onduleur doit être entreposé pour une période de temps prolongée. Au moment de recharger les batteries (internes et externes), les charger complètement jusqu'à ce que le graphe en bâtons du niveau des batteries  affiché sur l'écran ACL de l'onduleur soit complet.
- Étant donné que des batteries neuves ne fournissent souvent pas une pleine capacité après une charge initiale, il peut s'avérer nécessaire d'effectuer un certain nombre de cycles de décharge/recharge avant d'atteindre une performance optimale.
- L'entretien des batteries et des modules de batteries devrait être effectué ou supervisé par du personnel d'entretien compétent dans le domaine des batteries, des modules de batteries et en tenant compte des mesures de sécurité appropriées.
- Utiliser uniquement le même type de batteries du même fournisseur. Ne jamais utiliser en même temps des batteries vieilles, neuves ou de Ah différent.
- Une batterie peut présenter un risque de décharge électrique et un courant élevé du court-circuit. Les précautions suivantes doivent être observées lorsque l'on manipule les batteries :
 - Enlever les montres, les bagues ou tout autre objet métallique.
 - Utiliser des outils ayant des poignées isolées.
 - Porter des gants et des bottes en caoutchouc.
 - Ne pas déposer d'outils ou de pièces métalliques sur les batteries.
 - Débrancher la source de chargement avant de brancher ou débrancher les bornes des batteries.

Élimination

- Pour protéger l'environnement, l'onduleur et les batteries doivent être éliminés conformément aux lois et réglementations locales.
- Pour l'élimination adéquate de l'onduleur et des batteries, contacter le centre de recyclage/réutilisation ou de traitement des déchets dangereux.



AVERTISSEMENT : Contacter du personnel d'entretien qualifié si l'un des événements suivants se produit :

- Du liquide est versé ou a été éclaboussé sur l'onduleur ou le module de batteries externes en option.
- L'onduleur ne fonctionne pas normalement après avoir observé attentivement les instructions dans ce manuel de l'utilisateur.

1.2 Conformité aux normes

Sécurité :

- UL1778
- CAN CSA - C22.2 N° 107.3-14

Émissions :

- FCC Partie 15 Classe B


1.3 Entreposage

Avant l'installation

Si l'onduleur doit être entreposé avant l'installation, s'assurer que l'endroit est sec. La température et l'humidité (sans condensation) relative d'entreposage permises se situent entre -15 et 50 °C (5 et 122 °F) et 0 à 95 % respectivement.

1 Aperçu et consignes de sécurité

Après l'utilisation

Appuyer sur le bouton OFF•(arrêt), débrancher l'onduleur du service public d'électricité, s'assurer que l'onduleur est hors tension, retirer tout l'équipement de l'onduleur, puis entreposer l'onduleur dans un environnement sec et bien ventilé à une température se situant entre -15 et 50 °C (5 et 122 °F) et avec une humidité relative (sans condensation) se situant entre 0 et 95 %. Les batteries non utilisées doivent être rechargées complètement une fois tous les trois mois si l'onduleur doit être entreposé pour une période prolongée. Au moment de recharger les batteries, les charger complètement jusqu'à ce que le graphe en bâtons du niveau des batteries  affiché sur l'écran ACL de l'onduleur soit complet.

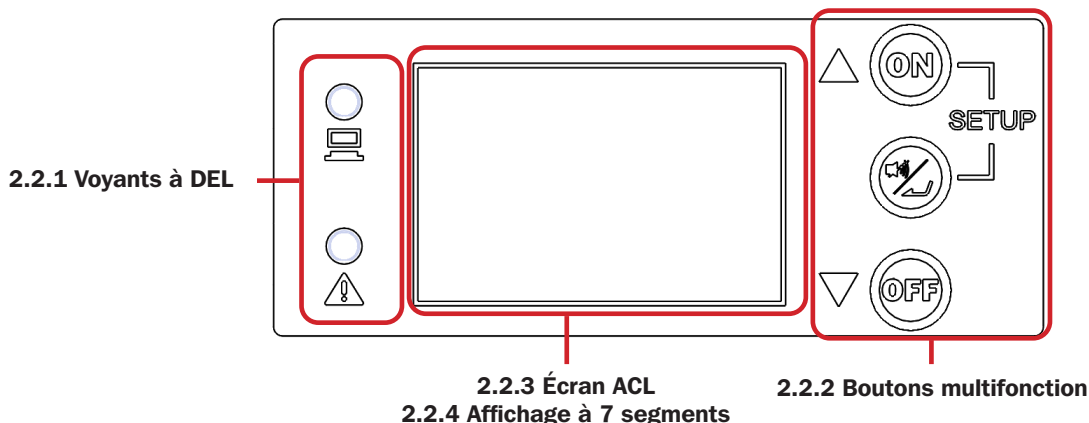
Remarque : Après l'entreposage et avant le démarrage de l'onduleur, laisser l'onduleur s'ajuster à la température ambiante 20 à 25 °C (68 à 77 °F) pendant au moins deux heures afin d'éviter la condensation d'humidité à l'intérieur de l'onduleur.

2 Caractéristiques

2.1 Caractéristiques et fonctions





- Écran ACL et voyants à DEL conviviaux
- Efficacité du mode en ligne jusqu'à 0,98
- Démarrage à froid
- Fonction EPO/ROO (arrêt d'urgence/mise sous tension/hors tension à distance)
- Protection au moyen d'un disjoncteur d'entrée
- Compatible avec une génératrice
- Batteries internes remplaçables à chaud
- Protection contre la décharge poussée des batteries
- Connectivité à un logiciel de surveillance intelligent par le biais du port RS-232 ou du port USB
- Offre les fonctions suivantes par le biais de la configuration du logiciel, une carte SNMP (en option) ou une carte Modbus (en option) :
 - Autotest régulier
 - Surveillance de la condition de l'alimentation en temps réel
 - Contrôle de l'arrêt du système
 - Mise sous/hors tension de l'onduleur, test de déchargement des batteries de 10 secondes
- Sortie à forme d'onde sinusoïdale
- Protection contre les surtensions/surcharges
- Gestion du réseau
- Installation en bâti/tour

2.2 Panneau de commande







2 Caractéristiques


2.2.1 Voyants à DEL

Voyant à DEL	Description
 	Indique l'état de la sortie. 1. ALLUMÉ (vert) : il y a une sortie. 2. ÉTEINT : il n'y a aucune sortie.
 	Indique l'état d'avertissement. 1. Allumé (rouge) : l'onduleur se trouve en mode de défaillance. 2. Clignotant (rouge) : les conditions de fonctionnement de l'onduleur sont anormales.

2.2.2 Boutons multifonction

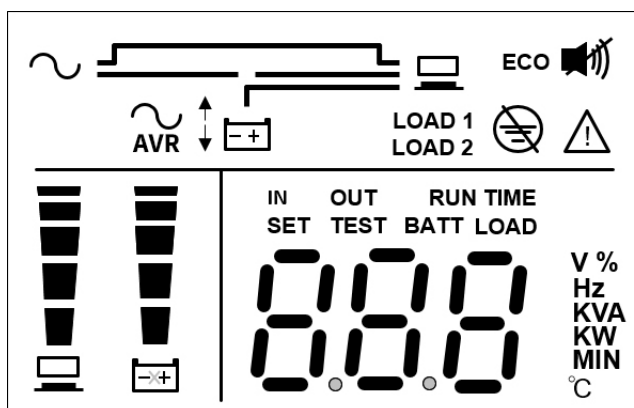
Bouton multifonction	Description
	Ce bouton a trois fonctions : 1. Mise sous tension <ul style="list-style-type: none"> Tandis que l'onduleur se trouve en mode attente, appuyer sur le bouton et le maintenir enfoncé pendant 3 secondes. Relâcher lorsqu'un bip se fait entendre pour le fonctionnement en mode en ligne de l'onduleur. Démarrage à froid : en l'absence d'entrée CA, appuyer sur le bouton et le maintenir enfoncé pendant 4 secondes. Relâcher lorsqu'un bip se fait entendre pour le démarrage en mode batterie de l'onduleur. 2. Test de la batterie <ul style="list-style-type: none"> Un test des batteries ne peut être effectué que depuis le mode en ligne. Pour tester manuellement les batteries, appuyer sur le bouton et le maintenir enfoncé pendant 3 secondes. Relâcher lorsqu'un bip se fait entendre. L'onduleur passera en mode batterie et effectuera un test des batteries d'une durée de 10 secondes. Si le résultat du test est normal, l'affichage à 7 segments affichera « PAS » (réussi) et l'onduleur retournera en mode en ligne. Si le résultat du test est anormal, l'affichage à 7 segments affichera « FAL » (échec), l'icône aucune batterie/remplacement de la batterie () clignotera et l'onduleur retournera en mode en ligne. 3. Défilement vers le haut/nombre croissant <ul style="list-style-type: none"> Appuyer sur le bouton pendant 0,1 seconde pour passer à l'écran précédent ou augmenter le nombre.
	Ce bouton a deux fonctions : 1. Activation/désactivation de l'alarme Lorsque l'alarme se fait entendre, appuyer sur le bouton pendant 0,1 seconde pour désactiver l'alarme. Lorsque l'alarme est désactivée, appuyer sur le bouton pendant 0,1 seconde pour activer l'alarme. 2. Confirmation <ul style="list-style-type: none"> En mode de configuration, appuyer sur le bouton pendant 0,1 seconde ou saisir l'élément à configurer ou pour confirmer le réglage d'un paramètre.
	Ce bouton a trois fonctions. 1. Mise hors tension <ul style="list-style-type: none"> Tandis que l'onduleur se trouve en mode en ligne, appuyer sur le bouton et le maintenir enfoncé pendant 3 secondes. Relâcher lorsqu'un bip se fait entendre. Le convertisseur se mettra hors tension et l'onduleur passera en mode attente. L'onduleur continuera de charger les batteries pendant qu'il se trouve en mode attente. Pour mettre l'onduleur complètement hors tension, débrancher l'onduleur de l'alimentation d'entrée. 2. Annuler une défaillance <ul style="list-style-type: none"> Tandis que l'onduleur se trouve en mode batterie, appuyer sur le bouton et le maintenir enfoncé pendant 3 secondes. Relâcher une fois qu'un bip se fait entendre pour permettre à l'onduleur de désactiver sa sortie. 3. Défilement vers le bas/nombre décroissant <ul style="list-style-type: none"> Lorsque l'onduleur a un état d'anomalie, appuyer sur le bouton et le maintenir enfoncé pendant 3 secondes. Relâcher une fois qu'un bip se fait entendre pour permettre à l'onduleur d'annuler l'état d'anomalie, puis revenir en mode attente. 3. Défilement vers le bas/nombre décroissant <ul style="list-style-type: none"> Appuyer sur le bouton pendant 0,1 seconde pour passer à l'écran suivant ou réduire le nombre.








2 Caractéristiques

Bouton multifonction	Description
	<p>1. Passer en mode de configuration Appuyer simultanément sur ces deux boutons pendant 3 secondes pour passer en mode de configuration.</p> <p>2. Quitter le mode de configuration En mode de configuration, appuyer simultanément sur ces deux boutons pendant 3 secondes pour quitter le mode de configuration.</p>







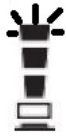






Remarque : Lorsque le rétroéclairage de l'ACL est éteint, appuyer sur n'importe quel bouton mentionné ci-dessus pour illuminer l'écran et activer chaque fonction du bouton.

2.2.3 Écran ACL









Icône	Nom de l'icône	Description
	Icône d'entrée CA	Indique l'état de la source d'entrée. <ol style="list-style-type: none"> Allumée : l'entrée CA se situe à l'intérieur de la plage d'entrée acceptable. Clignote : l'entrée CA se situe à l'extérieur de la plage d'entrée acceptable, mais est toujours suffisante pour charger la batterie. Éteinte : l'entrée CA se situe à l'extérieur de la plage d'entrée acceptable et n'est pas suffisante pour charger la batterie.
	Icône du banc d'essai	Indique l'état de la sortie. <ol style="list-style-type: none"> Allumée : il y a une sortie au banc d'essai 1/banc d'essai 2. Éteinte : il n'y a pas de sortie au banc d'essai 1/banc d'essai 2.
	Icône de l'alimentation par batteries	Indique l'état de l'alimentation par batteries. <ol style="list-style-type: none"> Allumée : l'alimentation par batteries est activée. Éteinte : la sortie n'est pas alimentée par les batteries.
	Graphe du mode attente	S'allume lorsque l'onduleur fonctionne en mode attente.
	Graphe du mode en ligne	S'allume lorsque l'onduleur fonctionne en mode en ligne.
	Graphe du mode AVR	S'allume lorsque l'onduleur fonctionne en mode AVR.
	Graphe du mode batterie	S'allume lorsque l'onduleur fonctionne en mode batterie.

2 Caractéristiques

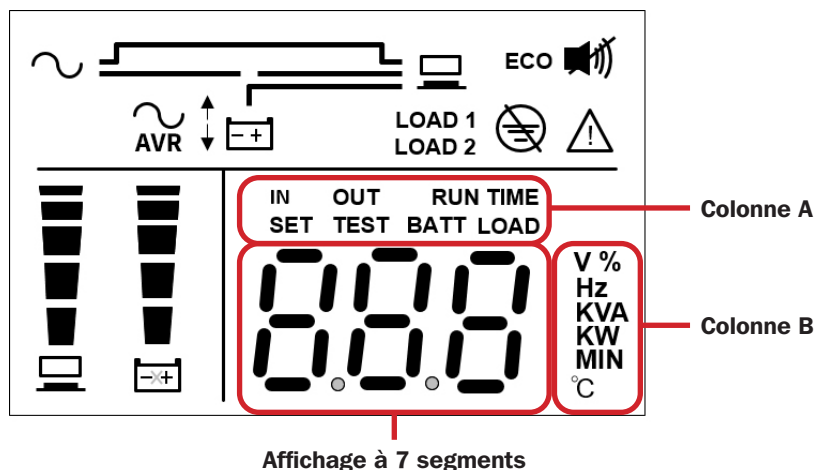
Voyants du graphe en bâtons du niveau de la charge/des batteries				
Niveau des batteries	Mode en ligne (charge)		Mode batterie (décharge)	
100 %		Tous les segments s'allumeront.		Tous les segments s'allumeront.
80 à 99 %		Les quatre premiers segments s'allumeront et le cinquième segment clignotera.		Les quatre premiers segments s'allumeront.
60 à 79 %		Les trois premiers segments s'allumeront et le quatrième segment clignotera.		Les trois premiers segments s'allumeront.
40 à 59 %		Les deux premiers segments s'allumeront et le troisième segment clignotera.		Les deux premiers segments s'allumeront.
20 à 39 %		Le premier segment s'allumera et le deuxième segment clignotera.		Le premier segment s'allumera.
1 à 19 %		Le premier segment clignotera.		Le premier segment clignotera.
0 %				Aucun segment n'est allumé.

2 Caractéristiques

Icône	Nom de l'icône	Description
	Icône AVR	S'allume lorsque l'onduleur fonctionne en mode AVR.
	Icône de problème de câblage au niveau du site	Avertissement au sujet du câblage du site.
	Icône du vibreur	S'allume lorsque le vibreur est désactivé.
	Icône d'avertissement	S'allume en présence d'une défaillance interne ou d'une défaillance de l'environnement. Le code d'erreur s'affichera sur l'affichage à 7 segments. Consulter le tableau dans la section 2.2.4 pour chaque code d'erreur et affichage pour des informations pertinentes sur l'affichage à 7 segments.
	Graphe en bâtons du niveau de charge	Indique l'état du niveau de charge. Consulter le tableau « Voyants du graphe en bâtons du niveau de charge/des batteries » à la page précédente pour les voyants de niveau et les pourcentages des batteries. 1. On (sous tension) Le graphe en bâtons s'allume en fonction du niveau de charge 1. 2. Clignotant Le graphe en bâtons clignote en présence d'une situation de surcharge.
	Graphe en bâtons du niveau des batteries	Indique l'état du niveau des batteries. Consulter le tableau « Voyants du graphe en bâtons du niveau de charge/des batteries » à la page précédente pour les voyants de niveau et les pourcentages des batteries. 1. Allumé Le graphe en bâtons s'allume en fonction de la capacité restante des batteries. 2. Clignote Le premier segment clignote en présence d'une situation de batteries faibles.

2 Caractéristiques

2.2.4 Affichage à 7 segments



Remarque : Lire le mot affiché dans la Colonne A avec celui de la Colonne B pour comprendre la signification de l'affichage.

Icône	Description
INTÉRIEUR	IN et V Lorsque IN et V s'allument ensemble, la tension d'entrée est affichée.
	IN et Hz Lorsque IN et Hz s'allument ensemble, la fréquence d'entrée est affichée.
OUT	OUT et V Lorsque OUT et V s'allument ensemble, la tension de sortie est affichée.
	OUT et Hz Lorsque OUT et Hz s'allument ensemble, la fréquence de sortie est affichée.
SET	Lorsque SET s'allume, l'onduleur se trouve en mode de configuration. Les éléments suivants peuvent être configurés via l'écran ACL. Pour des instructions sur la façon de passer en mode de configuration, consulter la section 5.5 Mode configuration . 1. Alarme sonore 2. Tension du convertisseur 3. Sensibilité de l'entrée
TEST	Lorsque TEST clignote, l'onduleur effectue un test de batterie.
BATT	BATT et % Lorsque BATT et % s'allument ensemble, la capacité restante des batteries est affichée.
	BATT et V Lorsque BATT et V s'allument ensemble, la tension des batteries est affichée.
	RUN TIME et MIN Lorsque RUN TIME et MIN s'allument ensemble, la durée de fonctionnement des batteries sous la charge actuelle est affichée.
LOAD	LOAD et % Lorsque LOAD et % s'allument ensemble, la capacité de charge totale est affichée.
	LOAD et KVA Lorsque LOAD et KVA s'allument ensemble, la charge kVA totale est affichée.
	LOAD et KW Lorsque LOAD et KW s'allument ensemble, la charge kW totale est affichée.

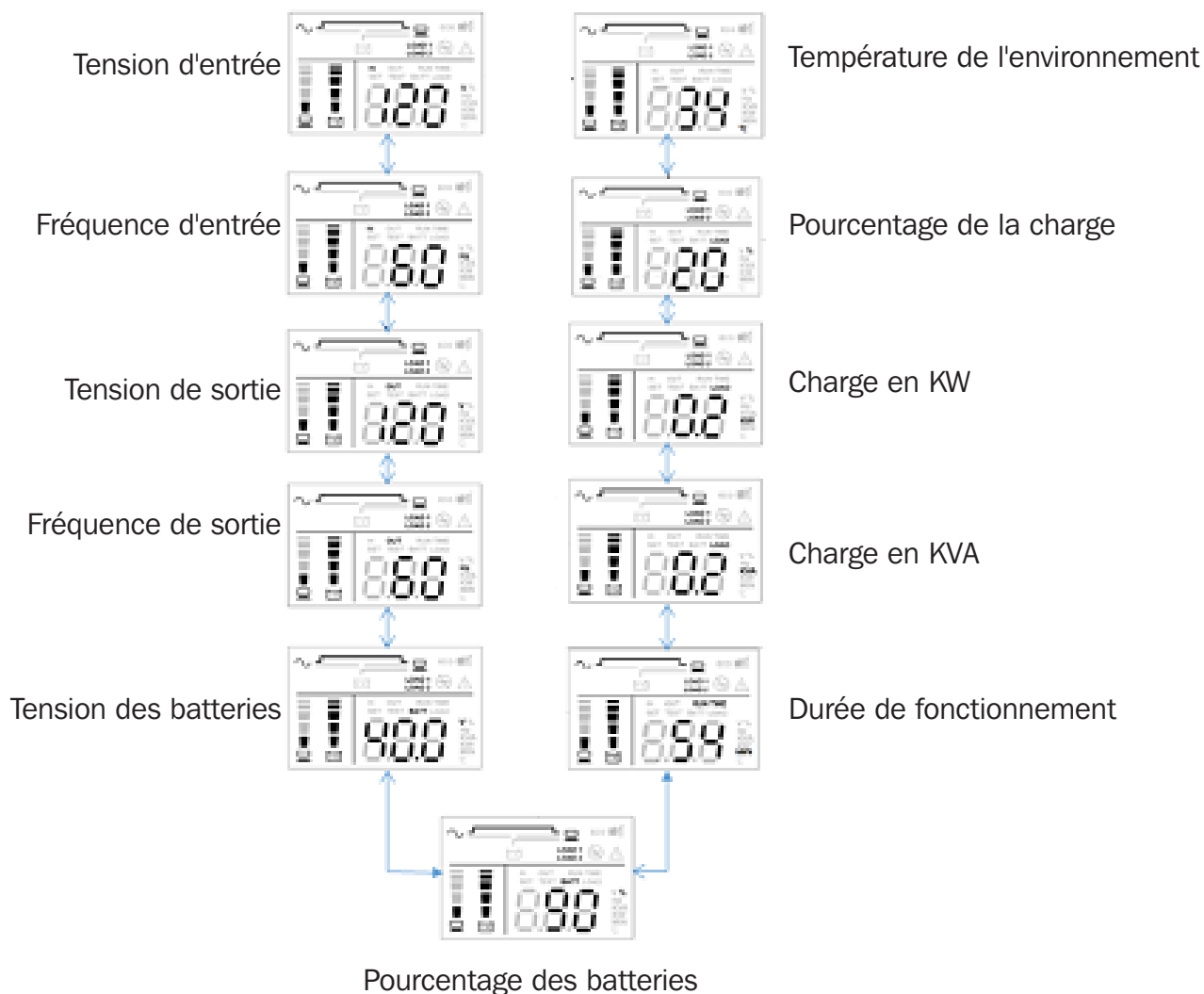
2 Introduction

Icône	Description
V	Indique la tension
%	Indique le pourcentage
Hz	Indique la fréquence
kVA	Indique les kilovolts-ampères (puissance apparente)
kW	Indique les kilowatts (puissance réelle)
MIN	Indiques les minutes

2.2.5 Organigramme de l'affichage à 7 segments

L'organigramme suivant explique comment naviguer à travers chaque écran d'affichage. Les captures d'écran ci-dessous utilisent le « Mode en ligne » à titre d'exemple. Chacun des diagrammes d'affichage illustré est pour référence seulement. L'affichage actuel dépend du fonctionnement de l'onduleur.

Écrans de l'état de l'alimentation de l'onduleur et du site :



2 Introduction

Écrans de configuration de l'onduleur :

Réglage de la tension du
convertisseur



Réglage de la sensibilité



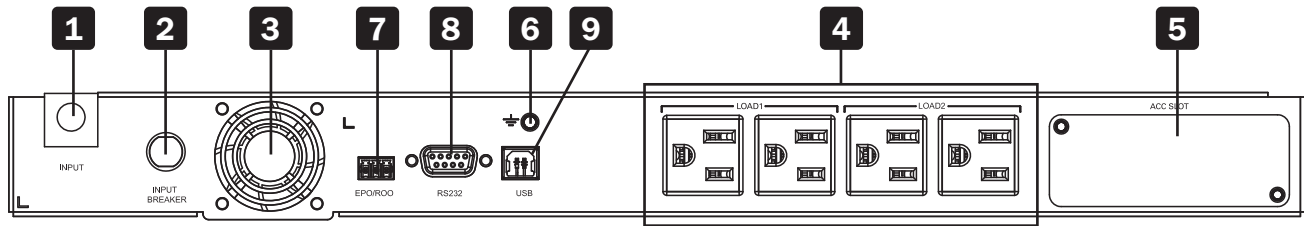
Réglage de l'alarme sonore



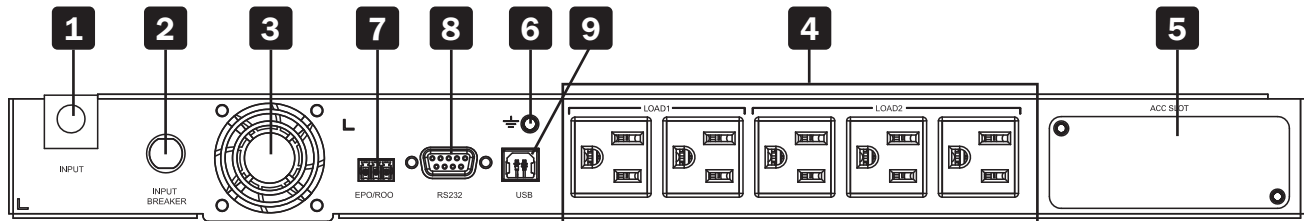
2 Introduction

2.3 Panneaux arrière

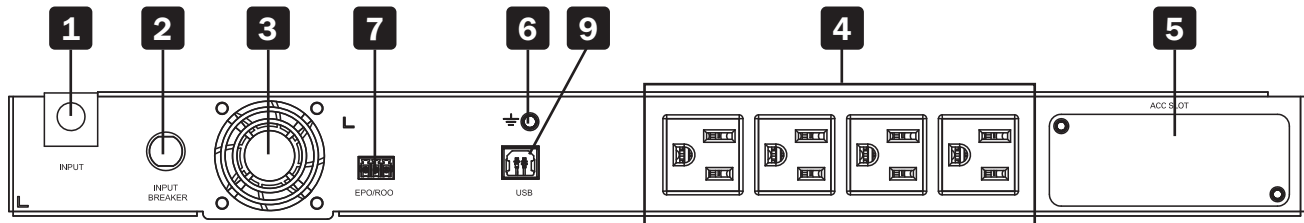
SMART700RT1U, SMART750RT1U



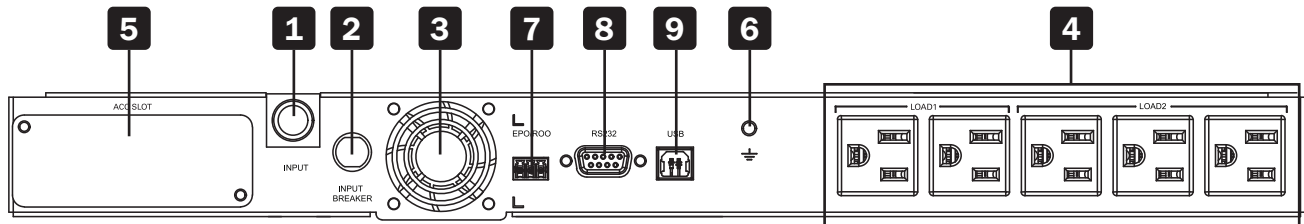
SMART1000RT1U



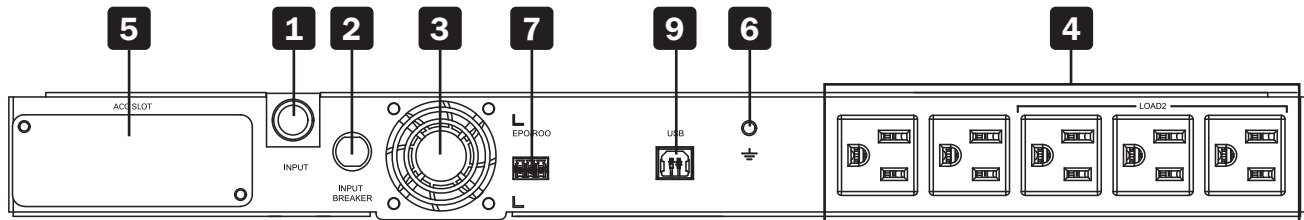
SMC1000RT1U



SMART1500RT1U



SMC1500RT1U



2 Introduction

N°	Article	Fonction
1	Entrée CA	Permet de raccorder l'onduleur au secteur CA.
2	Disjoncteur d'entrée	Protège le courant du secteur contre de nouveaux dommages lorsque l'onduleur tombe en panne. Consulter la section 6.8 Disjoncteur d'entrée pour de plus amples informations.
3	Ventilateur	Refroidit et ventile l'onduleur.
4	Prises de sortie	Se connectent aux charges.
5	Fente pour accessoires	Accepte une carte d'interface de réseau WEBCARDLX optionnelle qui permet un accès à distance complet. Consulter la section 7 Interfaces de communication pour de plus amples informations.
6	Borne de mise à la terre	Pour la mise à la terre de l'onduleur.
7	Port EPO/ROO	Consulter la section 7 Interfaces de communication pour de plus amples informations.
8	Port RS-232*	Port de l'interface de communication Consulter la section 7 Interfaces de communication pour de plus amples informations. *Les modèles SMC n'incluent pas cette caractéristique.
9	Port USB	Port de l'interface de communication Consulter la section 7 Interfaces de communication pour de plus amples informations.

2.4 Dimensions externes

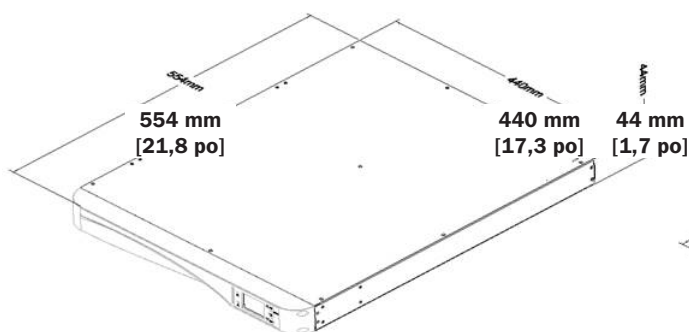


Figure 2- 1: Extérieur et dimensions 1,5 kVA

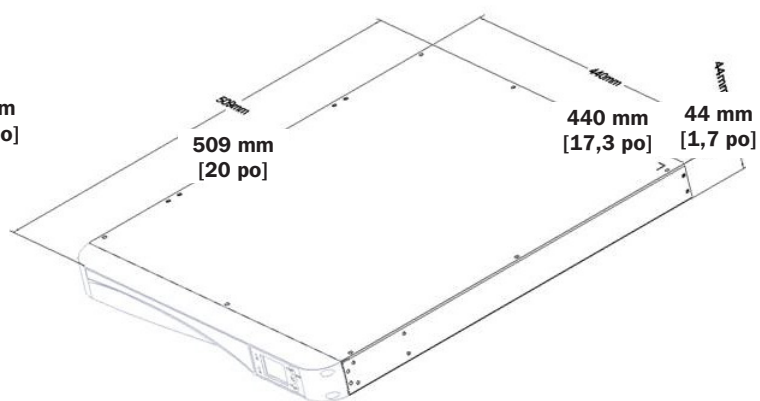


Figure 2-1 : Extérieur et dimensions 700 à 1 000 VA

3 Installation

Remarques :

- Avant l'installation, lire attentivement la section **1.1 Consignes de sécurité importantes**.
- Chaque modèle comporte des batteries internes.
- L'installation ne doit être confiée qu'à du personnel qualifié.

3.1 Données pour l'installation

Article	Caractéristique technique
Environnement d'installation	À l'intérieur uniquement
Dimensions de l'onduleur [H x l x P]	1,5 kVA : 44 x 440 x 554 mm (1,7 x 17,3 x 21,8 po) 700 à 1 200 VA : 44 x 440 x 509 mm (1,7 x 17,3 x 20 po)
Température de fonctionnement	0 à 40 °C (32 à 104 °F)
Humidité relative (sans condensation)	0%~95%
Max. Altitude (sans déclassement)	1 000 m (3 280 pi) au-dessus du niveau de la mer
Connexion de l'alimentation d'entrée	Arrière
Connexion de l'alimentation de sortie	Arrière
Connexion de l'alimentation par batterie	Arrière
Entrée d'air	Avant
Sortie d'air	Arrière

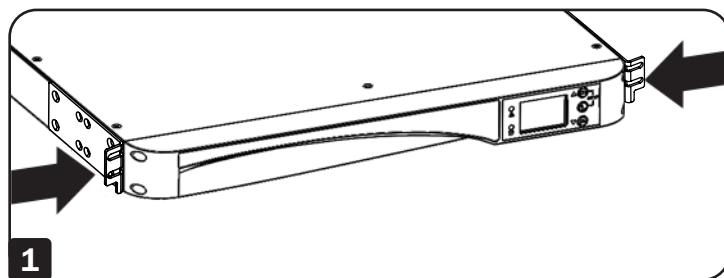
3.2 Installation dans un bâti

L'onduleur peut être monté en bâti dans un cadre à 4 montants ou une enceinte pour bâti.

Remarques :

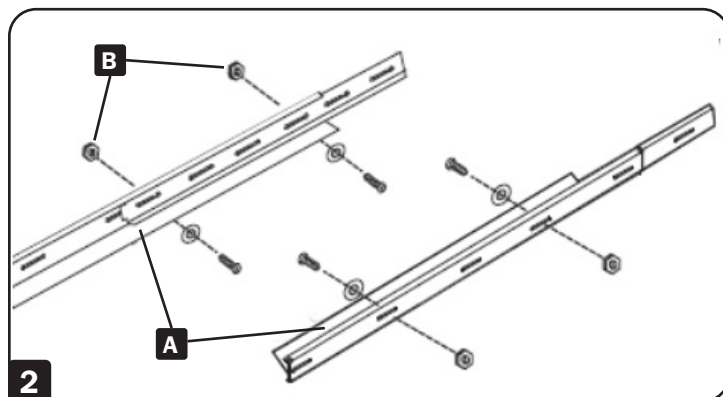
- L'onduleur aspire de l'air de refroidissement à l'avant. Si le bâti a une porte à l'avant, s'assurer qu'il y a un dégagement suffisant entre les événements de l'onduleur et la porte du bâti.
- Il est fortement recommandé qu'au moins deux personnes soient présentes pour soulever l'appareil lorsqu'il est monté en bâti. Si une seule personne est disponible, nous suggérons de retirer les batteries internes de l'onduleur pour alléger le poids avant le montage dans un bâti. Après avoir monté l'onduleur dans un bâti, réinstaller les batteries internes.
- Utiliser uniquement les ailettes du support et les ensembles de rails pour l'installation de montage en bâti. Ne jamais dépendre des dispositifs inférieurs pour supporter l'onduleur.

- 1** Fixer les ailettes du support incluses aux trous de montage latéraux de l'onduleur.

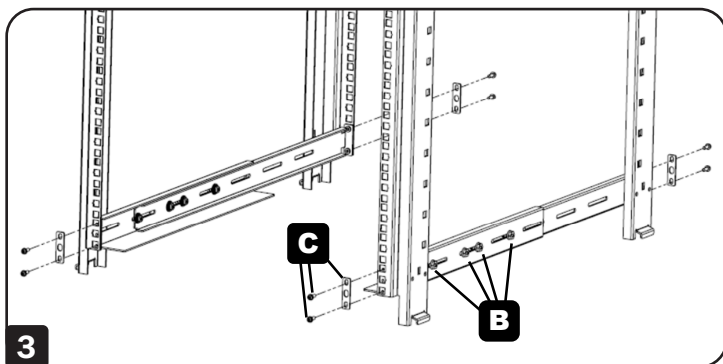


3 Installation

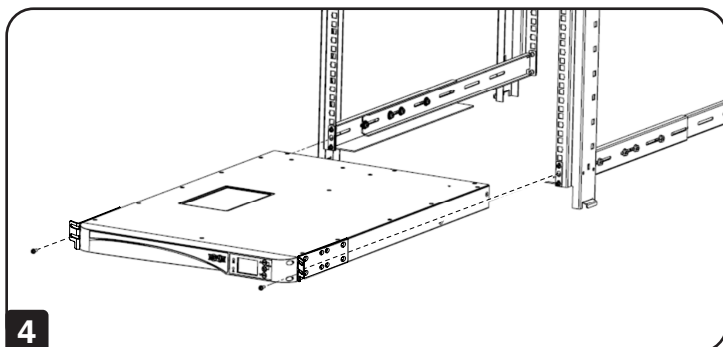
2 Connecter les deux segments de chaque rail **A** en utilisant les vis et les écrous inclus **B**. Laisser les vis légèrement desserrées de façon à ce que les rails puissent être ajustés à l'étape suivante.



3 Ajuster chaque rail de manière à ce qu'il s'adapte au bâti, puis les monter dans l'espace le plus bas du bâti disponible avec les vis, les écrous et les plaques de montage sur rail fournis **C**. Il convient de noter les rebords de soutien doivent être tournés vers l'intérieur. Serrer les vis qui relient les segments du rail **B**.



4 Insérer l'onduleur dans le bâti, puis serrer les quatre vis fournies.

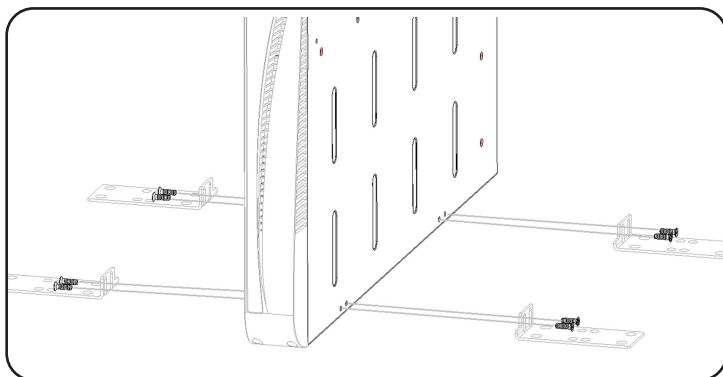


3.3 Installation en tour

Remarques :

- Utiliser la quincaillerie incluse pour monter les modèles d'onduleur dans une position en tour verticale.
- L'utilisateur doit déterminer l'aptitude des matériaux et des procédures avant le montage.

1 Mettre l'onduleur sur le côté avec le panneau de DEL orienté vers le haut. À l'aide des vis incluses, fixer une oreille de montage pour bâti à chaque côté de l'onduleur.



4 Connexions

4.1 Avertissements avant le raccordement

1. Avant le raccordement, lire la section **1.1 Consignes de sécurité importantes**.
2. L'onduleur est livré avec un cordon d'alimentation standard et des prises appropriées pour son utilisation dans la zone d'opération de l'utilisateur. L'installation, le câblage, l'opération et l'entretien ne doivent être confiés qu'à du personnel qualifié.
3. Avant de raccorder tout câblage d'entrée à l'onduleur, s'assurer que tous les circuits utilisés ont la tension et le courant appropriés pour l'onduleur. La source d'alimentation qui alimente l'onduleur doit être monophasée conformément à son étiquette de valeurs nominales.
4. Calculer la consommation d'énergie des charges connectées pour s'assurer qu'aucune condition de surcharge ne se produise.
5. Avant d'alimenter l'onduleur, l'onduleur doit être correctement mis à la terre. L'appareil est doté d'une entrée d'alimentation ayant fait l'objet d'une vérification de sécurité et doit être connecté à une prise murale mise à la terre. Si la prise murale n'a pas de mise à la terre, mettre l'onduleur à la terre par le biais de la borne de mise à la terre située à l'arrière de l'onduleur. Consulter la section **2.3 Panneaux arrière** pour de plus amples informations.

4.2 Connexions de l'interface de communication

Certaines interfaces de communication pour onduleur de la série 0,7~1,5 kVA SMART et SMC peuvent inclure un port RS-232, un port USB, une fente intelligente et un port EPO/ROO. Consulter la section **2.3 Panneaux arrière** pour connaître leur emplacement. Pour de plus amples informations sur les interfaces de communication, consulter la section **7 Interfaces de communication**.

4.3 Connexion de la charge critique

1. Avant de procéder au raccordement, lire la section **4.1 Avertissements avant le raccordement**.
2. Calculer la consommation d'énergie des charges pour s'assurer qu'aucune condition de surcharge ne se produise.
3. Suivre les charges pour sélectionner les câbles appropriés pour connecter les prises de sortie et les charges de l'onduleur.
4. Brancher le(s) cordon(s) d'alimentation de l'équipement dans les prises de sorties situées à l'arrière de l'appareil.

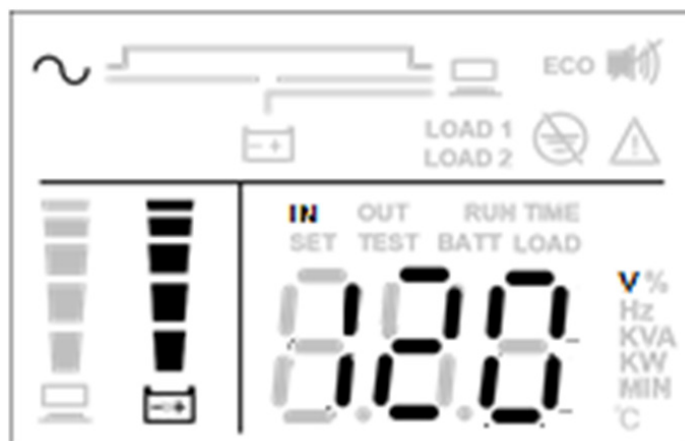


AVERTISSEMENT : Ne pas brancher d'imprimantes laser ou de lecteurs à l'onduleur.

4 Connexions



4.4 Connexion au service public d'électricité

1. Avant de procéder au raccordement, lire la section **4.1 Avertissements avant le raccordement**.
2. Utiliser le câble d'entrée fourni pour connecter l'onduleur et une prise murale dotée d'une fonction de mise à la terre. Si la prise murale n'est pas mise à la terre, mettre l'onduleur à la terre par le biais de la borne de mise à la terre. Consulter la section **2.3 Panneaux arrière** pour connaître l'emplacement de la borne de mise à la terre.
3. Une fois l'onduleur connecté à l'alimentation CA du secteur, le secteur alimentera l'onduleur. Une fois alimenté, le ventilateur (au niveau du panneau arrière) fonctionnera et les voyants à DEL et l'écran ACL s'allumeront pendant 2 à 3 secondes. L'utilisateur peut vérifier si les voyants à DEL et l'écran ACL fonctionnent normalement. Le paramètre par défaut de l'onduleur sera configuré à mode attente.



Écran initial après le raccordement au service public d'électricité/mode attente

Remarques :

- La capture d'écran ci-dessus est pour référence seulement. L'affichage actuel dépend du fonctionnement de l'onduleur.
- L'onduleur chargera ses batteries internes lorsque l'onduleur est connecté à la source CA.
- Il est recommandé de charger les batteries internes de l'onduleur jusqu'à ce que le graphe en bâtons du niveau des batteries  affiché sur l'écran ACL soit complet. Si les batteries ne sont pas complètement chargées, l'onduleur peut toujours être utilisé immédiatement, mais la durée de fonctionnement « en mode batterie » peut être moindre que prévu.
- Si l'onduleur est mis hors service ou entreposé pendant une période de temps prolongée, recharger complètement les batteries tous les trois mois de sorte que le graphe en bâtons du niveau des batteries  affiché sur l'écran ACL soit complet.
- Les batteries commenceront immédiatement à se charger dès que l'entrée d'alimentation est disponible.

5 Modes de fonctionnement

Remarques :

- Pour apprendre comment utiliser le panneau de commande et comprendre l'écran ACL, consulter la section **2.2 Panneau de commande**.
- Chacun des diagrammes d'affichage illustré dans cette section est pour référence seulement. L'affichage actuel dépend du mode de fonctionnement de l'onduleur.

5.1 Mode attente

Une fois l'onduleur connecté à l'alimentation CA du secteur, le secteur alimentera l'onduleur et les batteries seront chargées.

5.2 Mode en ligne

En mode en ligne, les charges connectées sont alimentées directement par l'alimentation du secteur brute sans condition et les batteries sont chargées.

5.3 Mode AVR

En mode AVR, les charges critiques sont alimentées par l'alimentation du secteur et les batteries sont chargées.

5.4 Mode batterie

Lorsque l'onduleur fonctionne durant une coupure de courant, les batteries fournissent de l'alimentation CC à l'inverseur pour prendre en charge les charges critiques connectées.









5.5 Mode de configuration

Remarque : Seul le personnel d'entretien qualifié peut effectuer l'action de configuration.

En mode de configuration, il est possible de configurer ce qui suit :

- Mise en sourdine de l'alarme
- Tension du convertisseur
- Réglage de la sensibilité

Pour configurer l'onduleur :

1. Appuyer simultanément sur le bouton ON (marche) et le bouton de confirmation  pendant 3 secondes ou plus pour passer en mode de configuration.
2. Appuyer sur le bouton de défilement  ou  pendant 0,1 seconde pour sélectionner l'élément de réglage.
3. Appuyer sur le bouton de confirmation  pendant 0,1 seconde pour activer la sélection du paramètre.
4. Appuyer sur le bouton de défilement  ou  pendant 0,1 seconde pour sélectionner le paramètre souhaité.
5. Appuyer sur le bouton de confirmation  pendant 0,1 seconde pour confirmer votre paramètre.
6. En mode configuration, appuyer simultanément sur le bouton ON (marche) et le bouton de confirmation  pendant 3 secondes ou plus. L'écran ACL retournera à l'écran d'accueil original.
7. En mode configuration, si aucun bouton n'est enfoncé pendant plus de 2 minutes, l'écran ACL quittera le mode configuration et retournera à l'écran d'accueil original.


Remarque : Le réglage de mise en sourdine de l'alarme peut être effectué depuis tous les modes de fonctionnement. Tous les autres réglages ne sont disponibles que depuis le mode attente et le mode en ligne.

6 Fonctionnement


Remarques :


- Pour apprendre comment utiliser le panneau de commande et comprendre l'écran ACL, consulter la section **2.2 Panneau de commande**.
- Pour comprendre comment utiliser les interfaces de communication de l'onduleur, consulter la section **2.3 Panneaux arrière** et la section **7 Interfaces de communication**.


6.1 Procédures de démarrage

Une fois l'onduleur connecté à l'alimentation CA du secteur, le secteur CA alimentera l'onduleur. Pour mettre l'onduleur sous tension, appuyer sur le bouton  et le maintenir enfoncé pendant 3 secondes, puis le relâcher lorsqu'un bip se fait entendre.


6.2 Procédures d'arrêt

1. Mode en ligne : pour mettre l'onduleur hors tension, appuyer sur le bouton  et le maintenir enfoncé pendant 3 secondes, puis le relâcher lorsqu'un bip se fait entendre. Le convertisseur se mettra hors tension et l'onduleur passera en mode attente.


L'onduleur continuera de charger les batteries lorsqu'il se trouve en mode attente, même si le bouton  a été enfoncé. Pour mettre l'onduleur complètement hors tension, il est conseillé de débrancher le cordon d'alimentation.

2. Mode batterie : pour mettre l'onduleur hors tension, appuyer sur le bouton  et le maintenir enfoncé pendant 3 secondes, puis le relâcher lorsqu'un bip se fait entendre. L'onduleur mettra sa sortie hors tension.

6.3 Démarrage à froid

Même en l'absence d'alimentation du secteur, l'onduleur peut être mis sous tension. Appuyer sur le bouton  et le maintenir enfoncé pendant 3 secondes, puis le relâcher lorsqu'un bip se fait entendre. L'onduleur démarrera et fonctionnera en mode batterie.



6.4 Fonction de sourdine de l'alarme

Si l'alarme est activée, appuyer sur le bouton  et l'alarme sera mise en sourdine. Si un nouvel événement d'alarme se produit, l'alarme s'activera de nouveau.

6.5 Test de la batterie

Remarque : Les tests de la batterie peuvent être effectués en mode en ligne et en mode AVR.

Pour effectuer un test de la batterie, appuyer sur le bouton  et le maintenir enfoncé pendant 3 secondes, puis le relâcher lorsqu'un bip se fait entendre. L'onduleur passera en mode batterie et effectuera un test des batteries d'une durée de 10 secondes.

- Si le résultat du test est normal : l'écran ACL affichera « PAS » (réussi) et l'onduleur retournera en mode en ligne ou AVR (selon son mode de fonctionnement original).
- Si le résultat du test est anormal : l'écran ACL affichera « FAL » (échec), les voyants à DEL clignoteront, l'icône d'avertissement  et l'icône d'absence/remplacement de batterie  s'allumeront et l'onduleur retournera en mode en ligne ou en mode AVR (selon son mode de fonctionnement original).

6 Fonctionnement

6.6 États d'alarme sonore

État	Alarme
Mode batterie	L'alarme sonore émet un bip toutes les 5 secondes.
Batterie faible	L'alarme sonore émet un bip toutes les 2 secondes.
Arrêt pour batteries faibles	L'alarme sonore émet un bip toutes les 0,5 secondes.
Alarme d'avertissement	L'alarme sonore émet un bip toutes les 2 secondes.
Défaillance	L'alarme sonore émet un bip toutes les 0,5 secondes.
L'alarme de Watchdog est activée et Watchdog est déclenché	L'alarme sonore émet 3 bips avec les caractéristiques suivantes : <ul style="list-style-type: none">• Bip de 250 mS suivi de 250 mS de silence• 4 secondes de silence• Répéter

6.7 Interruption de surcharge en mode en ligne/mode AVR/mode batterie

Lorsque l'onduleur est surchargé de 106 à 120 % en mode en ligne et en mode AVR : le graphe en bâtons du niveau de charge clignotera, l'alarme émettra constamment des bips et l'onduleur se mettra hors tension dans les 300 secondes.

Lorsque l'onduleur est surchargé de 120 à 150 % en mode en ligne et en mode AVR : le graphe en bâtons du niveau de charge clignotera, l'alarme émettra constamment des bips et l'onduleur se mettra hors tension dans les 60 secondes.

Lorsque l'onduleur est surchargé de >150 % en mode en ligne et en mode AVR : le graphe en bâtons du niveau de charge clignotera, l'alarme émettra constamment des bips et l'onduleur se mettra hors tension dans les 10 secondes.

Lorsque l'onduleur est surchargé de 106 à 120 % en mode batterie : le graphe en bâtons du niveau de charge clignotera, l'alarme émettra constamment des bips et l'onduleur s'éteindra dans les 10 secondes.

Lorsque l'onduleur est surchargé de >120 % en mode batterie : le graphe en bâtons du niveau de charge clignotera, l'alarme émettra constamment des bips et l'onduleur s'éteindra dans 1 seconde.

6.8 Disjoncteur d'entrée

Lorsque l'alimentation d'entrée rencontre un problème de surintensité en mode en ligne, le disjoncteur d'entrée à l'arrière de l'onduleur s'active automatiquement.

- L'appareil passera en mode batterie. Une fois le problème résolu, appuyer sur le disjoncteur d'entrée et l'appareil reviendra automatiquement en mode en ligne.
- En l'absence d'une alimentation par batterie, l'onduleur se mettra automatiquement hors tension. Une fois le problème résolu, appuyer sur le disjoncteur d'entrée, puis suivre les procédures de démarrage pour démarrer l'onduleur.

Remarque : Lorsque le disjoncteur d'entrée s'active automatiquement, il y a un problème avec l'onduleur ou les charges connectées. Il est fortement recommandé de mettre l'onduleur hors tension, de retirer le cordon d'alimentation d'entrée, et de faire inspecter l'onduleur, ses charges connectées et le milieu environnant par du personnel d'entretien qualifié.

6.9 Compatibilité avec une génératrice

Les onduleurs illustrés dans ce manuel sont compatibles pour fonctionner avec la plupart des génératrices sur le marché.

7 Interfaces de communication

Remarque : L'onduleur peut continuer de fonctionner correctement sans effectuer les connexions ci-dessous.

Les interfaces de communication de l'onduleur incluent un port RS-232, un port USB, une fente pour accessoires et un port EPO/ROO. Consulter la section **2.3 Panneaux arrière** pour connaître leur emplacement.

Port RS-232

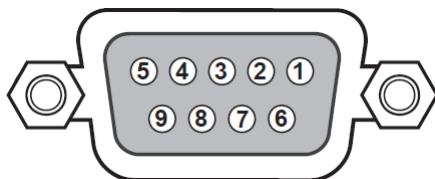


Figure 7-1 : port RS-232

Ces ports connectent l'onduleur à toute station de travail ou tout serveur. Ils doivent être utilisés avec le logiciel PowerAlert® de Tripp Lite et le câble RS-232 inclus pour permettre à l'ordinateur de sauvegarder automatiquement les fichiers ouverts et de mettre l'équipement hors tension pendant une panne d'électricité. Le logiciel PowerAlert peut également être utilisé pour surveiller une grande variété de conditions de fonctionnement de l'alimentation de la ligne CA et de l'onduleur. Consulter le manuel du logiciel PowerAlert ou communiquer avec le service à la clientèle de Tripp Lite pour obtenir plus de renseignements. Consulter « Communications en série USB et RS-232 » dans la section « Connexions optionnelles » des instructions d'installation.

Les communications à contact sec sont relativement simples, mais leur configuration exige une certaine connaissance de l'électronique. Les assignations de broches du port DB9 sont illustrées sur le diagramme ci-dessus.

- Si la batterie de l'onduleur est faible, l'onduleur envoie un signal en créant un pont entre les broches 8 et 5.
- En cas de panne de courant, l'onduleur envoie un signal en créant un pont entre les broches 1 et 5.

Pour mettre l'onduleur hors tension à distance, court-circuiter les broches 3 et 9 pendant au moins 3,8 secondes.

Port USB

L'onduleur offre un autre moyen à l'utilisateur d'enregistrer les événements relatifs à l'alimentation de l'onduleur, de surveiller l'état de l'onduleur, d'ajuster la tension de transfert, de configurer les alarmes et de mettre l'onduleur hors tension en toute sécurité via un ordinateur. Brancher simplement le câble USB dans l'onduleur et l'ordinateur, installer le logiciel, puis suivre les messages-guides à l'écran pour terminer l'installation du logiciel.

Fente pour accessoires

Il est possible de choisir des cartes en option pour surveiller l'onduleur ou pour améliorer le fonctionnement de l'onduleur. La liste des cartes en option est affichée dans le tableau ci-dessous.

Carte en option	Fonction
WEBCARDLX	Surveille et commande à distance l'état de l'onduleur via le système de réseau.

Remarque : Pour de plus amples informations sur les cartes en option ou pour faire l'achat d'une carte en option, contacter un fournisseur local ou le service à la clientèle de Tripp Lite.

7 Interfaces de communication

Port EPO/ROO

EPO : Emergency Power (arrêt d'urgence) permet à l'utilisateur de mettre l'onduleur hors tension lorsque survient une urgence. Le redémarrage de l'onduleur exige une intervention manuelle.

ROO : la mise sous/hors tension à distance permet l'utilisation à distance des boutons « on » (marche) et « off » pour mettre l'onduleur sous tension ou hors tension :

Connecter un contact normalement fermé (section de câble de 60 V cc/30 V ca 20 mA max, 0,75 mm²) entre les deux broches du port (Figure 7-2)

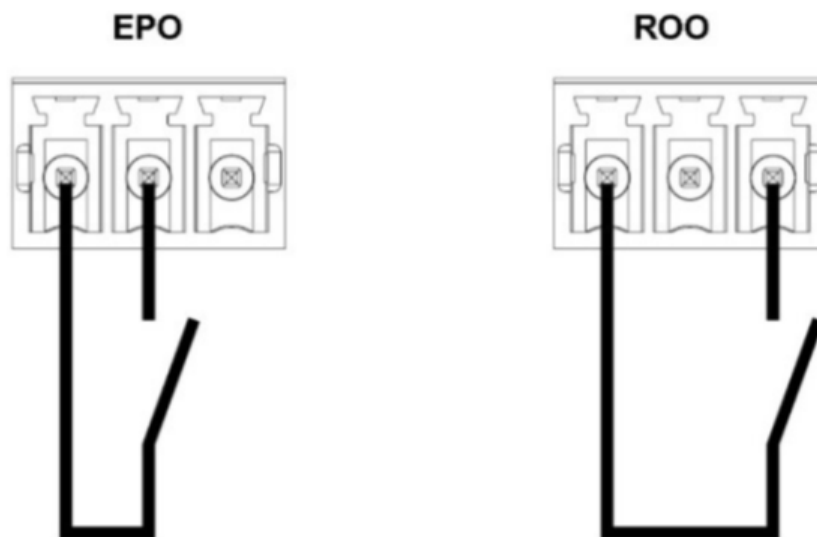


Figure 7-2 : Port EPO/ROO

Pour EPO

Contact de court-circuité : arrêt de l'onduleur

Pour ROO

Contact de court-circuité à ouvert : arrêt de l'onduleur

Contact de ouvert à court-circuité : démarrage de l'onduleur

8 Remplacement des batteries internes



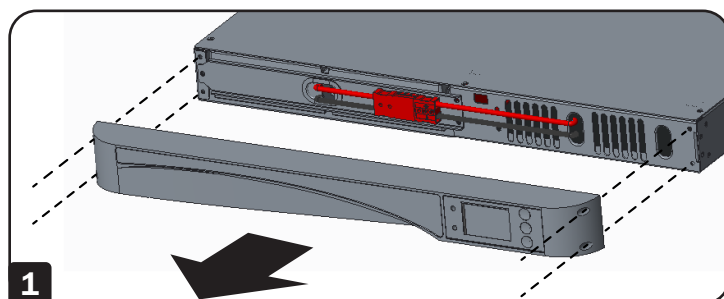
AVERTISSEMENT :

1. Éteindre l'onduleur et débrancher la source CA avant de remplacer la batterie/le module de batteries.
2. Une batterie peut présenter un risque de décharge électrique et un courant élevé du court-circuit.
3. L'entretien des batteries et des modules de batteries devrait être effectué ou supervisé par du personnel d'entretien compétent dans le domaine des batteries, des modules de batteries et en tenant compte des mesures de sécurité appropriées.
4. Utiliser uniquement le même type de batteries du même fournisseur. Ne jamais combiner des batteries vieilles et neuves ou des batteries d'intensité différente.
5. Garder le personnel non autorisé à l'écart des batteries et des modules de batteries.
6. Les précautions suivantes doivent être observées lors du remplacement des batteries :
 - Enlever les montres, les bagues ou tout autre objet métallique.
 - Utiliser des outils ayant des poignées isolées.
 - Porter des gants en caoutchouc.
 - Ne pas déposer d'outils ou de pièces métalliques sur les batteries.
 - Débrancher la source de chargement avant de brancher ou débrancher les bornes des batteries.
7. Lire attentivement Précautions concernant les batteries dans la section 1 **Consignes de sécurité importantes** avant de remplacer les batteries.

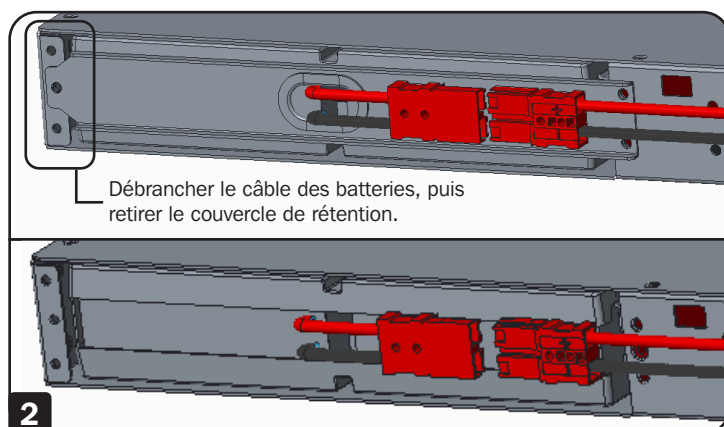
Modèles	SMART700RT1U	SMART750RT1U/SMART1000RT1U, SMC1000RT1U	SMART1500RT1U/ SMC1500RT1U
Numéro des batteries de remplacement	RBC129-1U	RBC247-1U	RBC367-1U

- 1** Retirer les quatre vis du cadre avant, puis retirer lentement le cadre du boîtier pour prévenir les dommages au câble plat de l'écran ACL.

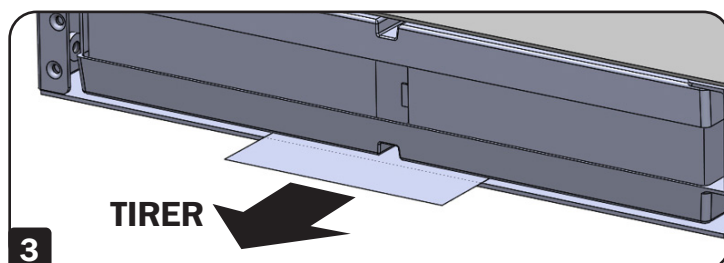
Remarque : Ne pas mettre les doigts dans l'espace entre le panneau avant en plastique et l'étui.



- 2** Débrancher les câbles des batteries, puis retirer les vis du couvercle de rétention et le couvercle.



- 3** Utiliser la languette pour retirer les batteries internes.



9 Accessoires en option

Une carte auxiliaire de gestion Web WEBCARDLX facultative peut être utilisée pour surveiller et contrôler à distance l'état de l'onduleur au sein d'un réseau. Pour plus de renseignements, contacter un revendeur ou visiter tripplite.com/products/power-management-software-hardware~10.

10 Entretien

10.1 Onduleur

Nettoyage de l'onduleur

Nettoyer régulièrement l'onduleur, en particulier les événements et les ouvertures, pour garantir la bonne circulation de l'air dans l'onduleur et éviter la surchauffe. Si nécessaire, utiliser de l'air comprimé pour nettoyer les événements et les ouvertures pour empêcher des objets de bloquer ou de couvrir ces zones.

Inspection régulière de l'onduleur

Inspecter régulièrement l'onduleur tous les six mois et vérifier :

- Si l'onduleur, les voyants à DEL et l'alarme fonctionnent normalement.
- Si la tension de la batterie est normale. Si la tension de la batterie est trop élevée ou trop faible, consulter le tableau dans la section **11 Dépannage**.

10.2 Batteries

Les onduleurs SMART/SMC 700/750/1 000/1 500 VA utilisent des batteries au plomb-acide scellées. La durée de vie normale de la batterie est 3 à 5 ans. Toutefois, la durée de vie actuelle de la batterie dépend de la température, de l'utilisation et de la fréquence de charge/décharge. Les environnements à température élevée et les fréquences élevées de charge/décharge réduisent la durée de vie de la batterie. L'onduleur n'exige aucun entretien de la part de l'utilisateur; toutefois, les batteries devraient être vérifiées périodiquement. Suivre les conseils ci-dessous pour garantir une durée de vie normale des batteries.

- Garder la température d'utilisation entre 20 et 25 °C (68 et 77 °F).
- Les batteries non utilisées doivent être rechargées complètement une fois tous les trois mois si l'onduleur est entreposé pour une période de temps prolongée. Charger complètement les batteries jusqu'à ce que le graphe en bâtons du niveau des batteries affiché sur l'écran ACL indique que les batteries sont complètement chargées.

Remarque : Le remplacement des batteries devrait être confié uniquement à une personne qualifiée. Si les batteries internes de l'onduleur doivent être remplacées, contacter un fournisseur Tripp Lite. Pendant le remplacement des batteries, les charges connectées à l'onduleur ne seront pas protégées en cas de panne de l'alimentation d'entrée.

10.3 Ventilateur

Des températures élevées réduisent la durée de vie des ventilateurs. Lorsque l'onduleur fonctionne, vérifier que chaque ventilateur fonctionne normalement et s'assurer que l'air peut se déplacer librement autour et dans l'onduleur.

Remarque : Contacter le soutien technique de Tripp Lite pour plus de renseignements sur l'entretien. Ne pas effectuer de tâches de maintenance sans les qualifications nécessaires.

11 Dépannage

Remarques :

- Si un problème survient, s'assurer que la tension d'entrée du secteur est présente avant de contacter le personnel d'entretien.
- Avoir les informations suivantes à portée de main avant de contacter le personnel d'entretien :
 - Informations sur l'appareil, notamment le mode, le numéro de série, etc.
 - Une description exacte du problème. Plus il y a de détails, mieux c'est.
 - Si l'onduleur affiche un code d'erreur, consulter le tableau suivant pour diagnostiquer et résoudre le problème.

Code d'erreur	Définition	Cause possible	Solution
F01	La tension de l'inverseur est élevée.	L'onduleur présente des anomalies.	Contactez le personnel d'entretien.
F02	La tension de l'inverseur est faible.	L'onduleur présente des anomalies.	Contactez le personnel d'entretien.
F03	Court-circuit de sortie	La sortie a un problème de court-circuit.	1. Vérifier si la sortie a un problème de court-circuit. 2. Contacter le personnel d'entretien.
F04	Défaillance interne	L'onduleur présente des anomalies.	Contactez le personnel d'entretien.
F06	Le relais de l'inverseur est soudé.	L'onduleur présente des anomalies.	Contactez le personnel d'entretien.
F07	La tension de décalage CC de la sortie est élevée.	L'onduleur présente des anomalies.	Contactez le personnel d'entretien.
F17	Défaillance du chargeur	Le chargeur est endommagé.	Contactez le personnel d'entretien.
F21	WatchDog est activé.	L'onduleur présente des anomalies.	Contactez le personnel d'entretien.
F26	Arrêt pour batteries faibles	L'onduleur passe en mode batterie en raison de la présence d'une anomalie au niveau de l'alimentation CA. Toutefois, l'alimentation par batterie est presque épuisée.	1. Vérifier la source CA principale et l'état du cordon d'alimentation principal. 2. Contacter le personnel d'entretien
F27	Température excessive	La température de l'onduleur est trop élevée.	1. Vérifier si la ventilation de l'onduleur est normale. 2. Réduire les charges. 3. Vérifier si le ventilateur fonctionne normalement. 4. Nettoyer les filtres (si des filtres sont installés).
F28	Fan Fault	Le ventilateur est endommagé ou bloqué.	1. Vérifier si un corps étranger est coincé dans le ventilateur. Le cas échéant, le retirer. 2. Contacter le personnel d'entretien.
F29	Arrêt d'urgence EPO	Un arrêt d'urgence est exécuté.	Une fois les événements d'urgence éliminés, suivre les procédures de mise sous tension pour démarrer l'onduleur.
F30	Problème au niveau du site	La mise à la terre est manquante ou la ligne et le neutre sont inversés.	Contactez un électricien local pour vérifier la distribution de l'alimentation.

Autres problèmes pouvant survenir

Code d'erreur	Problème	Cause possible	Solution
F20	Surcharge	L'onduleur est surchargé.	Réduire les charges connectées.
F22	Batterie manquante	1. La batterie interne n'est pas installée. 2. Les câbles de la batterie ne sont pas connectés ou les connecteurs sont desserrés.	1. Contacter le personnel d'entretien ou le service à la clientèle de Tripp Lite. 2. Connecter fermement les câbles de la batterie.
F23	Batterie faible/remplacement de la batterie	Les batteries sont endommagées ou à la fin de leur vie.	Contactez le personnel d'entretien ou le service à la clientèle de Tripp Lite.

Remarque : Si toutes les causes possibles sont éliminées, et que l'alarme s'affiche toujours, contacter un fournisseur local ou le personnel d'entretien.

12 Caractéristiques techniques

Modèle	SMART700RT1U	SMART750RT1U	SMART1000RT1U	SMC1000RT1U	SMART1500RT1U	SMC1500RT1U
Tension nominale et plage d'entrée	100 V~, 120 V~, 127 V~, 80 à 162 V (haute sensibilité) 70 à 162 V (basse sensibilité)					
Fréquence d'entrée nominale et tolérance	50 Hz (-4/+20 Hz pour haute sensibilité; -10/+20 Hz pour basse sensibilité) 60 Hz (-4/+10 Hz)					
Tension de sortie nominale	120 V~ en mode en ligne et 120 V~ en mode batterie					
Fréquence de sortie nominale	50 Hz (-4/+20 Hz pour haute sensibilité; -10/+20 Hz pour basse sensibilité) 60 Hz (-4/+10 Hz)					
Régulation de tension de sortie en mode en ligne	120 V~ (-16%/+16%)					
Régulation de tension de sortie en mode batterie :	120 (-10%/+6%)					
Puissance nominale de sortie en W/VA :	420 W/700 VA @ 120 V~/127 V~ 350 W/583 VA 100 V~	600 W/750 VA @ 120 V~/127 V~ 500 W/625 VA @ 100 V~	770 W/1000 VA @ 120 V~/127 V~ 641 W/833 VA @ 100 V~	600 W/1 000 VA @ 120 V~/127 V~ 641 W/ 833 VA @ 100 V~	1 100 W/1 440 VA @ 120 V~/127 V~ 825 W/1 080 VA (100 V~)	1 100 W/1 440 VA @ 120 V~/127 V~ 825 W/1 083 VA (100 V~)
Forme d'onde de tension de sortie	Sinusoïdale en mode en ligne et en mode batterie					
Intensité maximale de sortie @ PF.	5,83 A @ 100 V~ 5,84 A @ 120 V~ 5,52 A @ 127 V~	6,25 A @ 100 V~ 6,25 A @ 120 V~ 5,91 A @ 127 V~	8,33 A @ 100 V~ 8,34 A @ 120 V~ 7,88 A @ 127 V~	8,33 A @ 100 V~ 8,34 A @ 120 V~ 7,88 A @ 127 V~	10,8 A @ 100 V~ 12 A @ 120 V~ 11,34 A @ 127 V~	10,8 A @ 100 V~ 12 A @ 120 V~ 11,34 A @ 127 V~
	PF. = 0,7/0,6/0,6	PF. = 0,8	PF. = 0,8	PF. = 0,6	PF. = 0,76	PF. = 0,76
Efficacité avec la charge nominale	98 %					
Altitude de fonctionnement maximum à 100 % de la puissance nominale	1 000 m (3 280 pi)					
Capacité de surcharge en ligne	<120 % 5 minutes; <150 % 1 minute; >=150 % 10 secondes					
Capacité de surcharge en mode batterie	<120% 10 secondes; >=120% 1 seconde					
Limitation de courant	10 A	10 A	15 A	15 A	15 A	15 A
Durée d'autonomie à pleine charge	3 minutes @ 420 W	3 minutes @600 W	3 minutes @ 770 W	3 minutes @ 770 W	2 minutes @ 1 100 W	2 minutes @ 1 100 W
Temps de recharge de la batterie	6 heures @ recharge jusqu'à 90 % avec décharge de charge nominale de 50 %					
Temps de transfert	6 à 8 millisecondes typiques (<10 millisecondes max.)					
Prises	4x prises 5-15R avec batterie de secours, régulation et surtension	4x prises 5-15R avec batterie de secours, régulation et surtension	5x prises 5-15R avec batterie de secours, régulation et surtension	4x prises 5-15R avec batterie de secours, régulation et surtension	5x prises 5-15R avec batterie de secours, régulation et surtension	5x prises 5-15R avec batterie de secours, régulation et surtension
Courant d'entrée maximum	6,01 A	6.44A	8,59 A	8,59 A	10.8A	10.8A
	6,01 A	6.44A	8,60 A	8,60 A	12.0A	12.0A
	5,69 A	6.09A	8,12 A	8,12 A	11.34A	11.34A

13 Garantie

Avis de la FCC, classe B

Cet appareil est conforme à la partie 15 des règles de la FCC. Son fonctionnement est sujet aux deux conditions suivantes : (1) cet appareil peut causer des interférences nuisibles et (2) cet appareil doit accepter toutes les interférences reçues, y compris les interférences qui peuvent causer un fonctionnement indésirable.

Remarque : Cet équipement a été testé et trouvé conforme aux restrictions applicables à un appareil numérique de classe B, conformément à la partie 15 des règlements de la FCC. Ces restrictions sont conçues pour assurer une protection raisonnable contre les perturbations nuisibles dans une installation résidentielle. Ce matériel génère, utilise et peut émettre de l'énergie radiofréquence et, s'il n'est pas installé et utilisé conformément aux instructions, peut causer des perturbations nuisibles aux communications radio. Il n'y a, toutefois, aucune garantie que les interférences ne se produiront pas dans une installation particulière. Si cet équipement cause des interférences nuisibles à la réception des signaux radio et de télévision, ce qui peut être déterminé en fermant et en ouvrant (ON/OFF) l'équipement, nous recommandons à l'utilisateur de tenter d'éliminer les interférences en prenant une ou plusieurs des mesures suivantes :

- Réorienter ou repositionner l'antenne réceptrice.
- Augmenter la distance entre l'équipement et le récepteur.
- Brancher l'équipement à une prise sur un circuit différent de celui sur lequel le récepteur est branché.
- Consulter le fournisseur ou un technicien radio/télévision pour obtenir de l'aide.

Tout changement ou modification apportés à ce matériel sans l'autorisation expresse de Tripp Lite peuvent annuler le droit de l'utilisateur d'utiliser cet équipement.

Numéros d'identification à la conformité réglementaire

À des fins de certification de conformité réglementaire et d'identification, un numéro de série unique a été attribué au produit Tripp Lite. Le numéro de série, ainsi que toutes les marques d'homologation et les renseignements requis, se trouvent sur la plaque signalétique du produit. Lors d'une demande de renseignements concernant la conformité de ce produit, toujours se reporter au numéro de série. Le numéro de série ne doit pas être confondu avec le nom de la marque ou le numéro de modèle du produit.

Il n'est pas recommandé d'utiliser cet équipement pour des appareils de survie où une défaillance de cet équipement peut, selon toute vraisemblance, entraîner la défaillance de l'appareil de maintien de la vie ou affecter de façon majeure sa sécurité ou son efficacité.

La politique de Tripp Lite en est une d'amélioration continue. Les caractéristiques techniques sont modifiables sans préavis. Les produits réels peuvent différer légèrement des photos et des illustrations.

