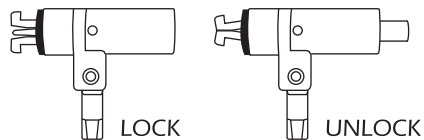




Rocbolt N19 Security Cable With (2) Key Lock For Nano Shaped Slots – 6' (1.8m) - TAA Compliant

Instruction Guide

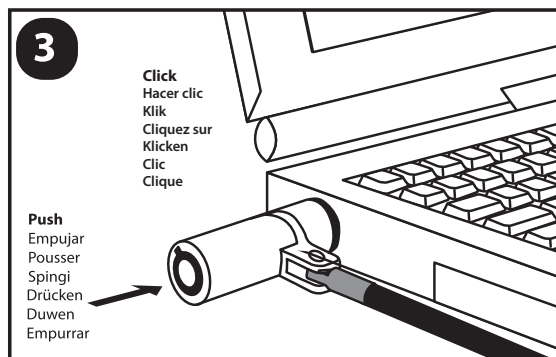
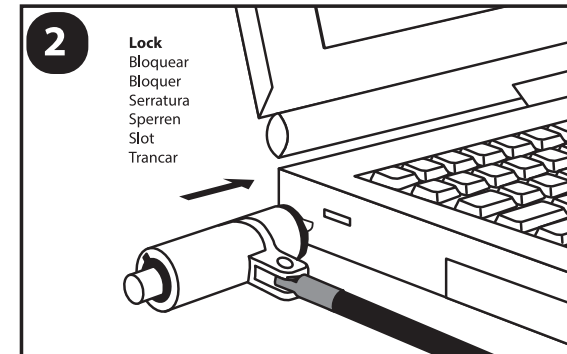
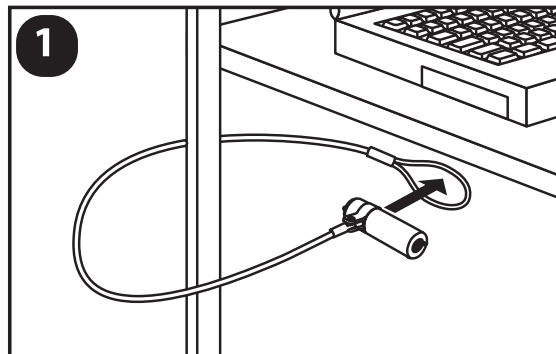
Manuel de l'Utilisateur
Manual de usuario
Y1RB008-B1



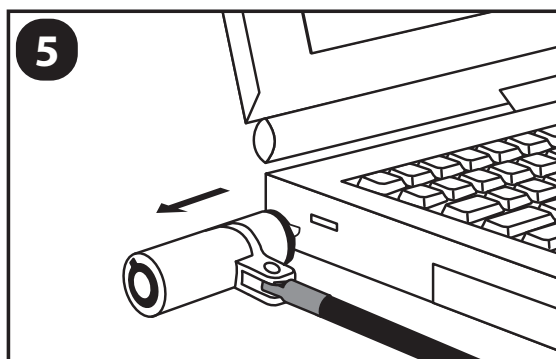
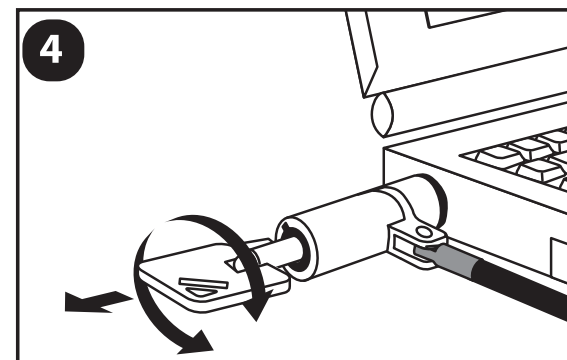
Congratulations!

On your new Rocbolt N19 Security Cable With (2) Key Lock - For Nano Shaped Slots – 6ft (1.8m) TAA Compliant . Rocbolt® locks are the easiest and most reliable way to secure your notebook computer and other devices with this lock option.

LOCK



UNLOCK



Rocbolt Security Lock Register & Access

Enregistrement et accès au verrou de sécurité Rocbolt
Registro y acceso a la cerradura de seguridad Rocbolt



locks.rocstor.com

#

Technical Support

Technical support is available to all registered users of Rocstor products. Technical Support contact information can be found on www.rocstor.com

Telephone Support

There is no charge for technical support except long-distance charges where applicable. Please visit www.rocstor.com Monday to Friday 9:00 am to 6:00 pm Pacific Standard Time.

Technical Support

United States: +1 818 727 7000

Canada: +1 877 855 1126

Please note the following when calling support:

Be prepared to provide the following information:

- Name, address, and telephone number
- The name of the Rocstor Rocbolt product
- Symptoms of the problem and how it led to this issue

Limited Two Year Warranty

Rocstor warrants this product against defects in material and workmanship for two years. Rocstor will supply, at its option, comparable new and rebuilt replacements for defective parts and will pay the labor charges to repair the product found to be defective. The dated bill of sale as evidence of the original purchase price along with the defective product is required.

Kensington & Kensington Cleat is trademark of ACCO Brands. All other registered and unregistered trademarks are the property of their respective owners.

