

PROFICIENT®

ALL-WEATHER LANDSCAPE BURIAL SUBWOOFERS Burial Subwoofers: 10" & 12" (250mm & 300mm)

CONTENTS

10" Burial Subwoofer:

- (1) Burial Subwoofer with Direct Burial Cable Attached
- (2) Silicone-Filled Wire Connectors

12" Burial Subwoofer Box 1 of 2:

- Burial Subwoofer with Direct Burial Cable Attached
- (2) Silicone-Filled Wire Connectors

12" Burial Subwoofer Box 2 of 2:

- (1) Burial Subwoofer Canopy Assembly
- (1) Port Tube with Compression Clamps

REQUIRED TOOLS:

- Wire Strippers
- Digging Tools as needed for the soil type
- Measuring Tape
- Slotted Screwdriver
- Pea Gravel
(optional, recommended as a drainage base for high clay content soils)

AMPLIFICATION GUIDELINES:

Crown CDi 2|600 Amplifier

These Subwoofers are 8Ω and are optimized for use with the Crown CDi 2|600 amplifier which is preprogrammed with customized DSP settings for a variety of different speaker/ subwoofer installations. Please refer to the addendum included in the Crown CDi 2|600 for additional instructions.

Other Amplifiers

These Subwoofers are 8Ω and are compatible with low impedance amplifiers with low pass filters. The minimum recommended power per channel in low impedance mode is 100W/ Channel. A low pass filter that slightly overlaps the high pass filter of the associated satellite speakers is recommended for proper blending.

WARNING:

- PLEASE READ AND FOLLOW ALL INSTRUCTIONS BEFORE BEGINNING YOUR INSTALLATION.
- POTENTIAL HAZARDS SUCH AS ELECTRICAL, GAS, BURIED CABLES, PLUMBING OR OTHER OBSTACLES SHOULD BE VERIFIED AND CHECKED BEFORE INSTALLING GROUND STAKES AND/OR OTHER ACCESSORIES.
- MANY LOCALITIES FORBID DIGGING WITHOUT PRIOR AUTHORIZATION, SO CONTACT LOCAL AUTHORITIES BEFORE INSTALLATION.

SPEAKER CABLE

Burial-rated cable (not included) is strongly recommended. It is also important to use the proper speaker cable gauge depending on the size of your area.

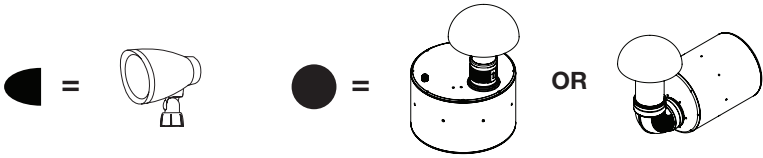
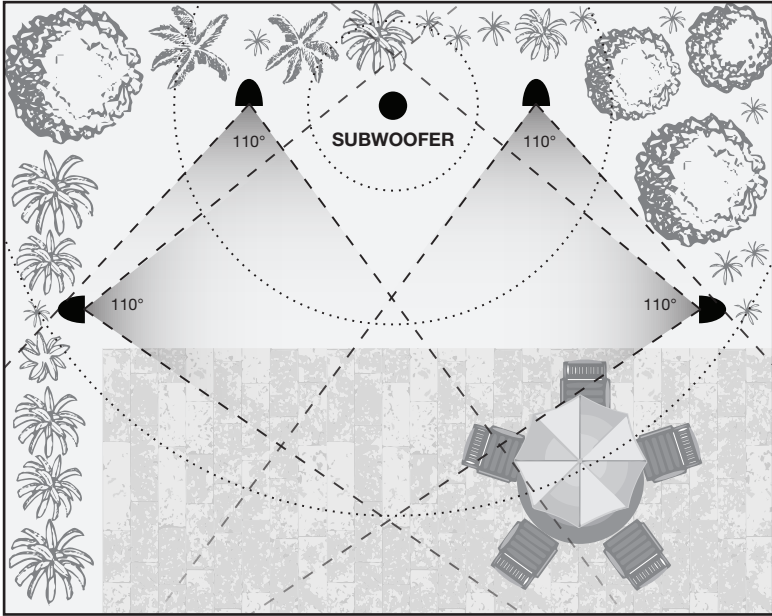
Cable Gauge	Distance
18 Gauge	Up to 100 ft (30m)
16 Gauge	Up to 150 ft (45m)
14 Gauge	Up to 200 ft (61m)
12 Gauge	Up to 400 ft (122m)
10 Gauge	Up to 650 ft (198m)

INSTALLATION CONSIDERATIONS

Before you start digging a trench:

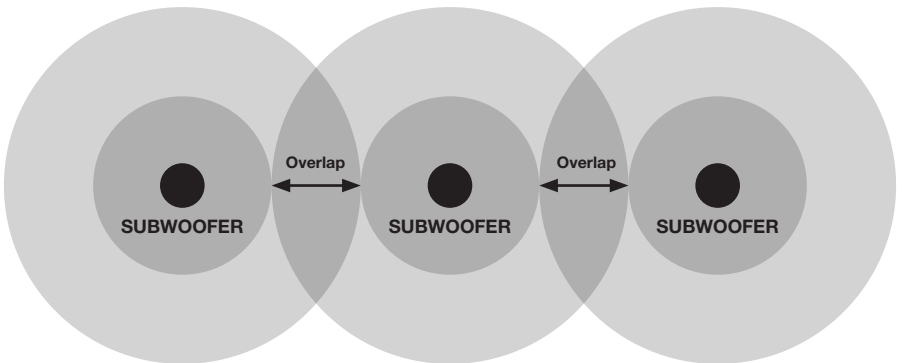
- Test EACH speaker prior to installation.
- Verify that the proposed area is accessible and not prone to flooding or standing water. It is also important to ensure your speakers cannot be easily damaged, kicked, or hit.
- Take into consideration the overall landscape/garden design and positioning in relation to listening area.

PLANNING THE INSTALL



Locate the subwoofer(s) near the landscape satellite speakers for proper blending.

As a guideline, each subwoofer will provide coverage for between 1500 and 2500 square feet for the 10" and between 2000 and 3000 square feet for the 12". 10" subs cover a 25' radius and should be placed about every 50'. 12" subs cover a 30' radius and should be placed about every 60'. Placing a subwoofer near a wall will increase the bass response.

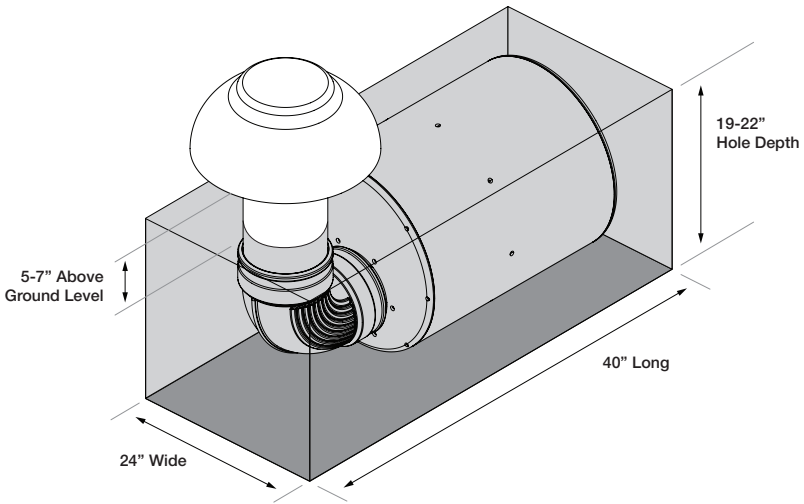


12" BURIAL SUBWOOFER

HOLE DIMENSIONS

The subwoofer cabinet is approximately 16" in diameter and 32" long with the port tube attached. Dig a hole that is at least 24" wide and 40" long so that it is about 4 inches larger than the sub in each direction to allow for the sub to be adjusted side to side. Dig down 19" to 22" to allow for adjustment of the port tube height.

The port tube height is adjustable by rotating the subwoofer in the hole. Provide at least 3" of soil on top of the subwoofer cabinet, and at least 5" between the bottom of the canopy and the soil surface after installation. This will allow for the best sound and will help prevent water buildup in the enclosure.



ASSEMBLY AND SETUP

1. Insert the Canopy into one end of the port elbow until it is fully seated. Tighten the compression clamp completely.
2. Assemble the subwoofer by fitting the open end of the port elbow onto the opening of the subwoofer. Make sure the subwoofer port opening and elbow are free of soil so that a proper seal can be made with the compression clamp. The elbow must be fully seated over the subwoofer port opening. Do not tighten the compression clamp yet.
3. The height of the canopy can now be adjusted by rotating the subwoofer cabinet within the hole. When the canopy is at the desired height, tighten the compression clamp completely to attach the port elbow to the subwoofer cabinet.
4. Using the included silicone-filled wire nuts, complete the wiring connections. Match the subwoofer's Red lead to the "+" input and the subwoofer's Black lead to the "-" input of your wiring.
5. Before filling in the hole for the subwoofer or any wiring trenches, test the complete speaker installation, including the subwoofer and any other speakers.
6. Fill the remainder of the subwoofer hole with the soil removed earlier. Pack as much soil around the sides and top of the subwoofer as possible. Make sure the port tube remains fully perpendicular to the surrounding soil during this process. After the subwoofer is fully covered, there should be at least 3 inches of soil covering the main assembly.

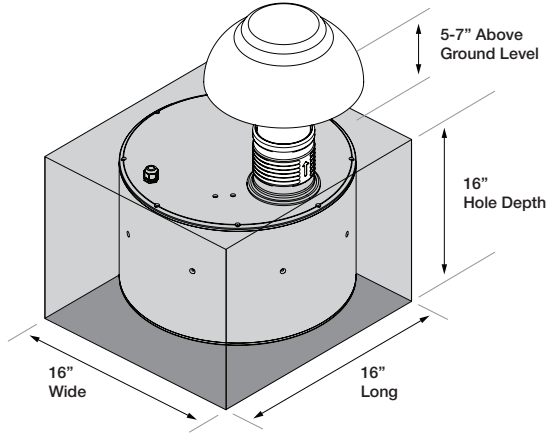
10" BURIAL SUBWOOFER

HOLE DIMENSIONS

The 10" subwoofer cabinet is approximately 16" in diameter. Dig a hole at least 24" in diameter, leaving about 4 inches of space on all sides of the subwoofer. Dig to a depth of approx. 16".

Provide at least 3" of soil on top of the subwoofer cabinet, and at least 5" between the bottom of the canopy and the soil surface after installation. This will allow for the best sound and will help prevent water buildup in the enclosure.

NOTE: In areas with a high clay-content in the soil, we recommend using a 1" layer of pea gravel underneath the subwoofer to allow for easier drainage.



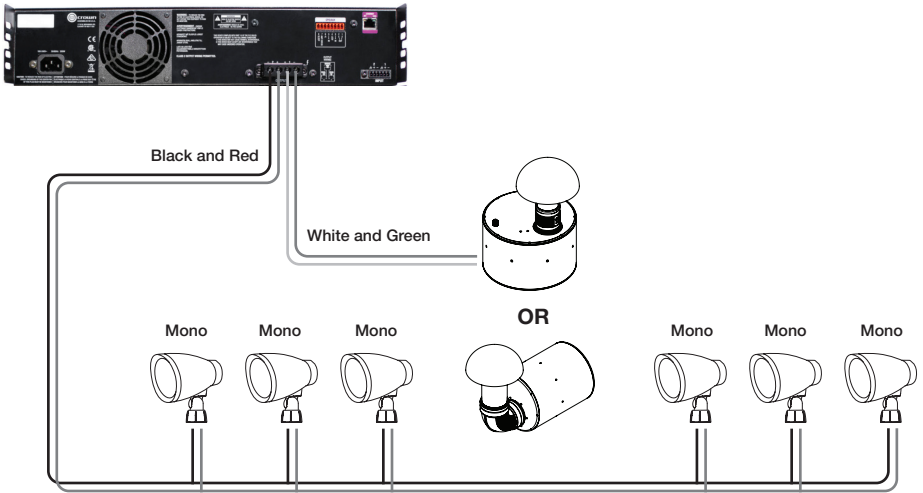
ASSEMBLY AND SETUP

1. Insert the canopy into one end of the rubber coupler, then completely tighten the compression clamp.
2. Complete the wiring connections using the included silicone-filled wire nuts. Match the red lead of the subwoofer to the "+" input and the black lead to the "-" input of your wiring.
3. Test the complete speaker installation, including the subwoofer and any other speakers before filling in the hole or any wiring trenches.
4. Pack as much soil around the sides and top of the subwoofer as possible when filling the hole. Make sure the port tube remains fully perpendicular to the surrounding soil during this process. There should be at least 3 inches of soil covering the main subwoofer assembly after the subwoofer is fully covered.

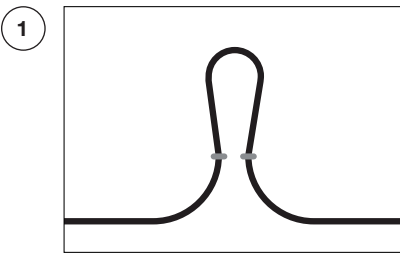
NOTE: In areas with a high clay-content in the soil, we recommend using a 1" layer of pea gravel underneath the subwoofer to allow for easier drainage

WIRING & SPEAKER INSTALLATION

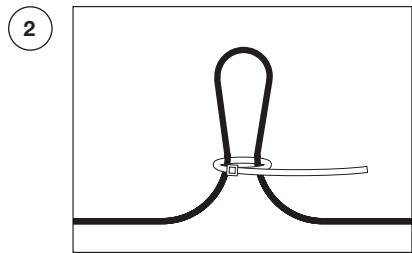
Mono Setup Using 4-Conductor Burial Cable & Crown Amplifier



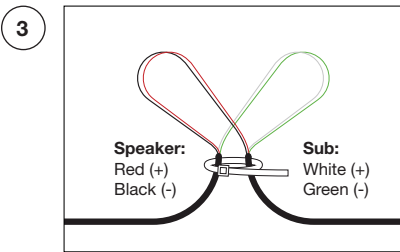
Burial Cable Preparation



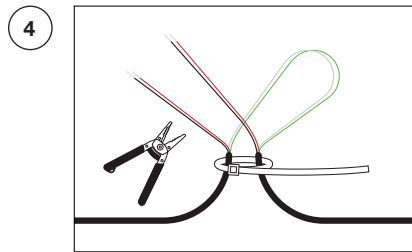
Create a loop approximately 6" in length starting with the first speaker and every speaker/sub thereafter.



Use a wire tie (*not included*) to keep the wire loop intact and act as a strain relief.



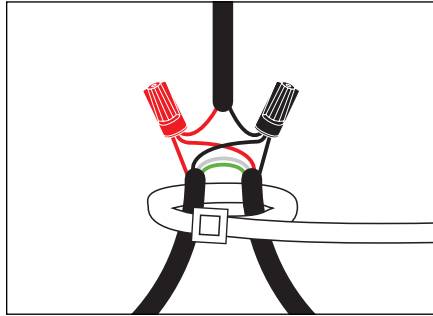
Use a Wire Stripper to remove the outside protective jacket to expose the four color coded wires. Separate the wire loops as shown.



Cut the red (+) and black (-) wires with cable strippers and strip off 1 inch (25mm) of insulation from the wire ends to expose the copper conductor.

WIRING & SPEAKER INSTALLATION

Speaker & Burial Cable Connections



Combine and twist (clockwise) the red wires (see diagram) from the amp, speaker, and to the next speaker in the series. Secure these three wires using the provided silicone-filled wire connectors; Repeat procedure for Black wires.

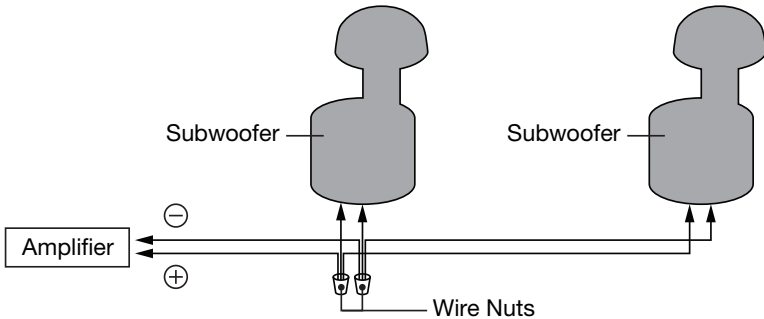
NOTE:

If necessary, cut some of the speaker cable from the speaker to a more manageable length.

WIRING FOR MULTIPLE SUBWOOFERS

Crown CDi 2|600 Amplifier

These Subwoofers are 8Ω and are optimized for use with the Crown CDi 2|600 amplifier. Using more than 2 subwoofers on the same amplifier channel is not recommended. To wire a second subwoofer, simply combine both of the subwoofer's Red leads to the "+" input, and the subwoofer's Black leads to the "-" input of your wiring as shown in the diagram below.



Other Amplifiers

These Subwoofers are 8Ω . Please refer to the amplifiers owner's manual for wiring instructions and minimum impedance load specifications.

TEST SYSTEM

Connect the wires to your receiver or amplifier after all satellites and subwoofer connections are completed.

IMPORTANT: Be sure to not let any stray “+” and “-” strands touch each other. A short circuit could damage your amplifier.

Turn your receiver or amplifier ON and test the system with your favorite music. If the speakers are operating properly, refill the wire trench and enjoy your installed speakers.

AVOID SPEAKER DAMAGE

Don't be fooled by your amplifier's volume control. It adjusts listening level and does not indicate power output. If your speakers begin to sound harsh or the bass is breaking up, turn the volume down immediately or you will damage your speakers. This type of damage constitutes abuse and is not covered by warranty.

Tone controls and equalizers can demand even more power from an amplifier, lowering the point at which it produces clipping distortion. Use them sparingly, if at all, and do not use them when listening at loud levels.

LISTENING OUTDOORS

Outdoors there are no walls to contain sound. Background noise is louder and the distance listeners are from the speaker(s) is usually greater. Achieving a reasonable listening level can be more difficult. The tendency is to turn up the volume, however this may disturb others and when turned up too high, can seriously damage your speakers and/or amplifier.

We recommend using multiple satellite speakers in larger areas. Using more speakers ensures that sound is evenly distributed, allowing for reasonable listening levels at lower volumes. Demand on the amplifier is reduced and neighbors are not disturbed.

LIMITED 5-YEAR WARRANTY

Nortek Security & Control, LLC ("Nortek Security & Control") warrants to the original retail purchaser only that this product will be free of manufacturing defects in material and workmanship for the following periods and subject to the limitations and exclusions set forth below:

5-Year Warranty

This warranty is not transferable to subsequent purchasers of the product. To obtain warranty service, contact the authorized dealer where you purchased your product or take the unit to the nearest authorized dealer (with proof of purchase – claims made without proof of purchase will be denied) who will test the product and if necessary, forward it to Nortek Security & Control for service. If there are no authorized Dealers in your area, please contact Nortek Security & Control to receive a factory Return Authorization Number. DO NOT RETURN ANY UNIT WITHOUT FIRST RECEIVING WRITTEN AUTHORIZATION AND SHIPPING INSTRUCTIONS FROM Nortek Security & Control.

Upon examination, Nortek Security & Control will, at its sole option and expense, repair or replace any product found to be defective. Nortek Security & Control will return the repaired or replaced unit to you via its usual shipping method from the factory or repair center to your address in the United States of America or Canada only. Any shipping costs for addresses outside of the United States or Canada shall be the responsibility of the purchaser. In the event that this model is no longer available and cannot be repaired effectively, Nortek Security & Control, at its sole option, may replace it with a different model of equal or greater value, or refund the original purchase price paid.

THE FOREGOING ARE YOUR EXCLUSIVE REMEDIES FOR BREACH OF WARRANTY.

This Warranty does not include service or parts to repair damage caused by improper use or handling, including but not limited to damage caused by accident, mishandling, improper installation, commercial use, abuse, negligence, or any defect caused by repair to the product by anyone other than Core Brands. This warranty does not cover reimbursement for your costs of removing and transporting the product for warranty service evaluation, or installation of any replacement product provided under this warranty.

This Warranty will be void if:

- The Serial Number on the product has been removed, tampered with or defaced.
- The product was not purchased from an authorized dealer or reseller.

THE FOREGOING WARRANTIES ARE EXCLUSIVE AND IN LIEU OF ALL OTHER EXPRESSED AND IMPLIED WARRANTIES.

NORTEK SECURITY & CONTROL EXPRESSLY DISCLAIMS ALL SUCH OTHER WARRANTIES, INCLUDING BUT NOT LIMITED TO IMPLIED WARRANTIES OF MERCHANTABILITY, FITNESS FOR A PARTICULAR PURPOSE AND NON-INFRINGEMENT, WITH RESPECT TO THE PRODUCT. TO THE MAXIMUM EXTENT PERMITTED BY LAW, NORTEK SECURITY & CONTROL SHALL NOT BE RESPONSIBLE FOR ANY INCIDENTAL OR CONSEQUENTIAL DAMAGES EXCEPT TO THE EXTENT PROVIDED (OR PROHIBITED) BY APPLICABLE LAW, EVEN IF NORTEK SECURITY & CONTROL HAS BEEN ADVISED OF THE POSSIBILITY OF SUCH DAMAGES.

Notwithstanding the above, if you qualify as a "consumer" under the Magnuson-Moss Warranty Act, or applicable state laws, then you may be entitled to any implied warranties allowed by law for the Warranty Period. Further, some states do not allow limitations on how long an implied warranty lasts or allow the exclusion or limitation of consequential damages, so such limitations may not apply to you. This warranty gives you specific legal rights, and you may also have other rights which vary from state to state.

For the name of your nearest authorized dealer, contact: Nortek Security & Control, 5919 Sea Otter Place, Suite 100 Carlsbad, CA 92010, or call (800) 472-5555 or (707) 778-5733.

With regard to sales over the Internet, please be advised that Nortek Security & Control only sells products through a select group of authorized Internet Resellers. Products offered on the Internet through unauthorized Internet dealers are not covered by Nortek Security & Control.

1. Goods acquired on a secondary or gray market
2. Counterfeit or stolen goods
3. Damaged, or defective goods

Please fill in your product information and retain for your records.

Model _____ Serial No. _____ Purchase Date _____

ATTENTION: TO OUR VALUED CONSUMERS:

To insure that consumers obtain quality pre-sale and after-sale support and service, products are sold exclusively through authorized dealers. This warranty is VOID if the products have been purchased from an unauthorized dealer.

Nortek Security and Control offers a variety of accessories to make your installation of this and other products easy, economical, and professional. To learn more about our products, technologies and specifications, go to: www.nortekcontrol.com or contact your authorized Dealer for more information. For technical inquiries, please call 1-800-448-0976

In our attempt to constantly improve our products, features and specifications are subject to change without notice.