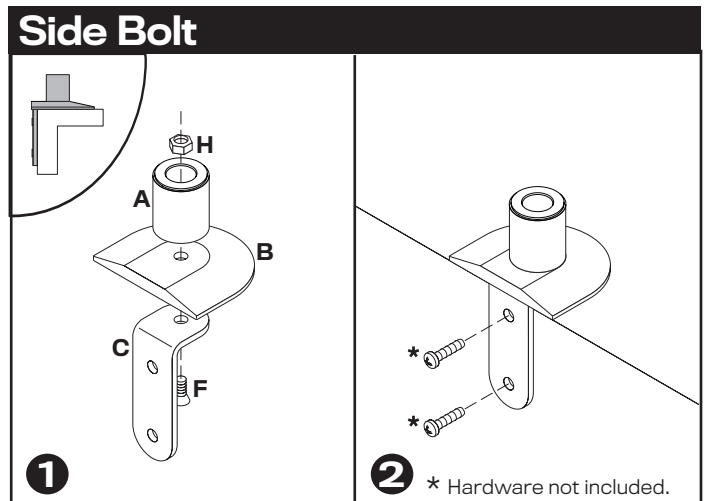
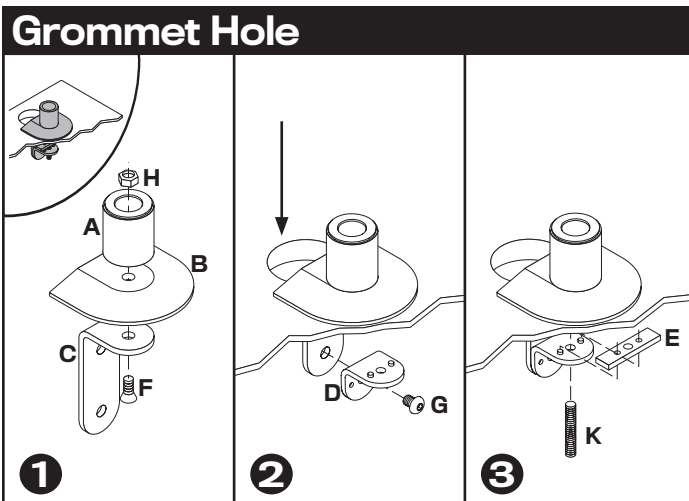
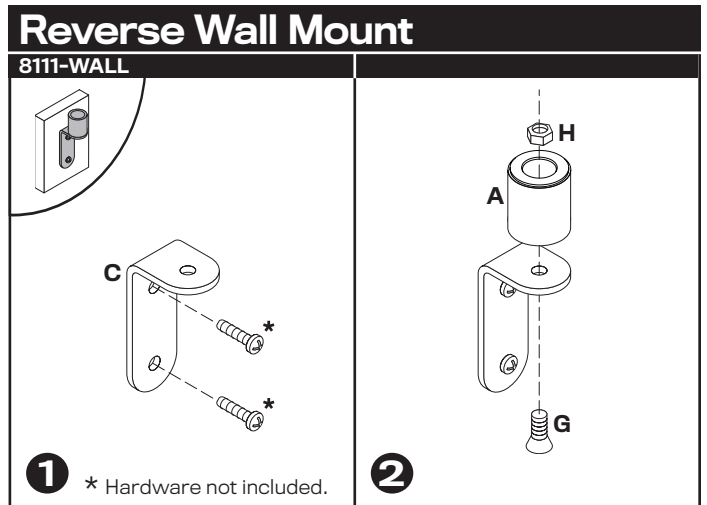
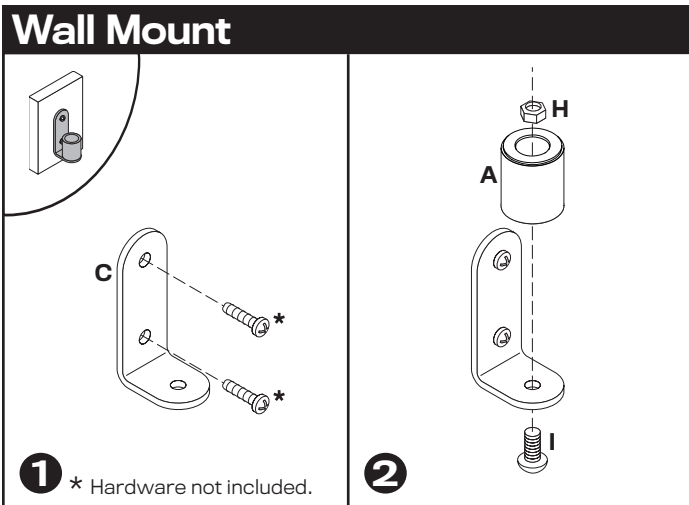
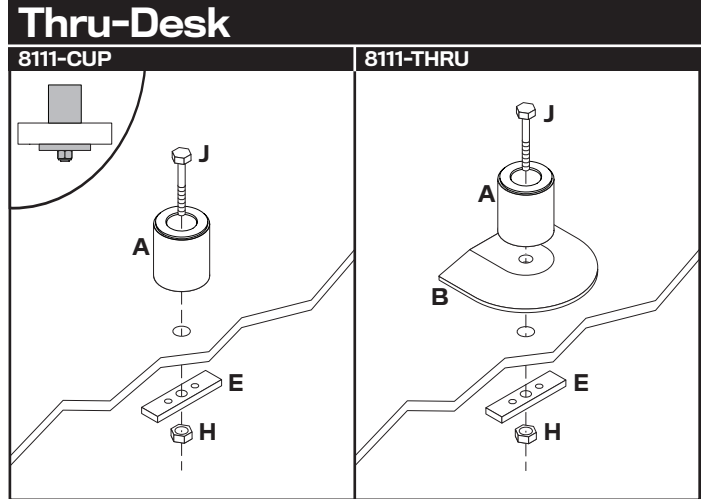
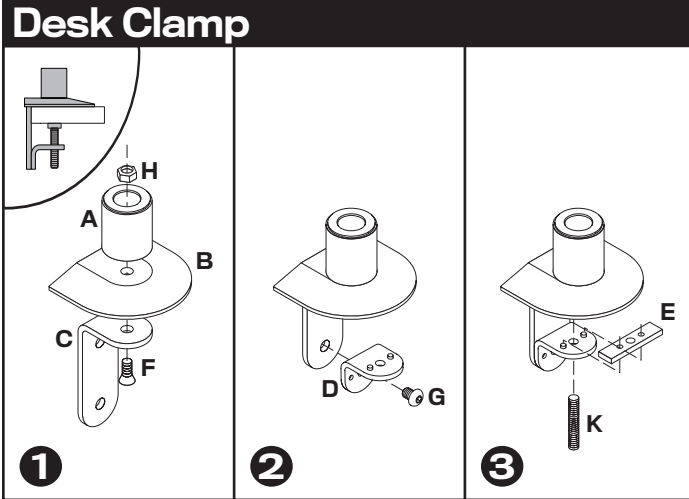
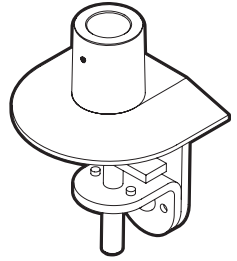


Innovative Ergonomic Solutions companies


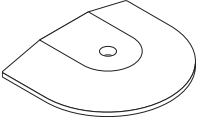
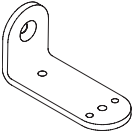
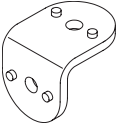
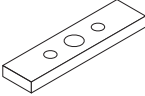
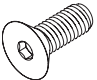
FLEXMOUNT® 8111

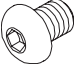

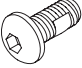
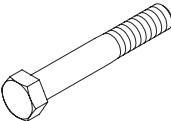
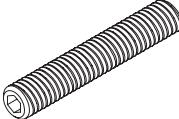
Installation Instructions



FLEXMOUNT® 8111

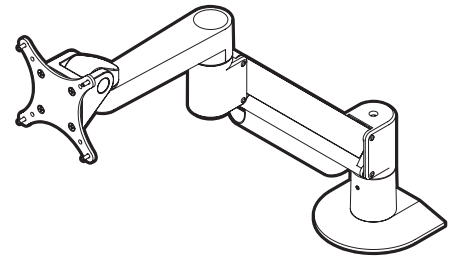
Parts List

ITEM QUANTITY	DESCRIPTION / PART NO.
A 	Mount Column 401328 1
B 	Base Plate 406656 1
C 	Large "L" Bracket 701117 1
D 	Small "L" Bracket 111728 1
E 	Rectangular Spacer 701544 1
F 	3/8-16 x 1" Flat Socket Cap Screw 701124 1

ITEM QUANTITY	DESCRIPTION / PART NO.
G 	3/8-16 x 1/2" BHSCS 702898 1
H 	3/8-16 Nylon Stop Nut 701418 1
I 	3/8-16 x 7/8" Button Socket Cap Screw 701122 1
J 	3/8-16 x 2-1/2" Hex Head Bolt 700268 1
K 1 	1/2-13 x 3" Socket Set Screw 701126 1

MODEL 7000

Installation Instructions



1

2

3

* Some monitors may require a spacer hardware kit. See page 2 for details.

4

5

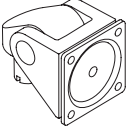
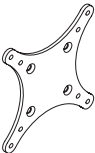


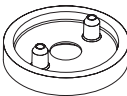
6


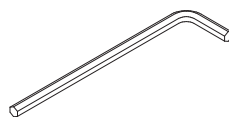


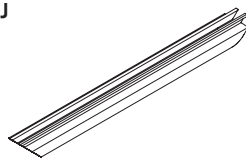
7

8

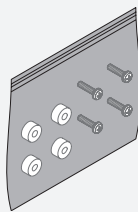
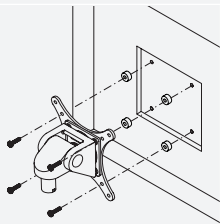
MODEL 7000

Parts List

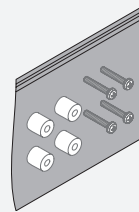
ITEM	DESCRIPTION / PART NO.	QUANTITY
A	 Monitor Tilter 405397	1
B	 75/100mm VESA Adapter Plate 105587	1
C	 10-32 x 3/8" Phillips Flat Head Screw 702281	1 (4-pack)
D	 M4 x 12mm Phillips Pan Head Screw 702096	1 (4-pack)
E	 Dog Washer 105189	1

ITEM	DESCRIPTION / PART NO.	QUANTITY
F	 10-32 x 3/8" FPhMS w/Lock Patch 705198	1
G	 7/32" Allen Wrench 701127	1
H	 3/32" Allen Wrench 700146	1
I	 1/8" Allen Wrench 701312	1
J	 Cable Cap 114810	1

OPTIONAL SPACER KITS In some cases, the mounting surface on your monitor may be recessed further than permitted by VESA® standards. As a result, a spacer kit may be required.



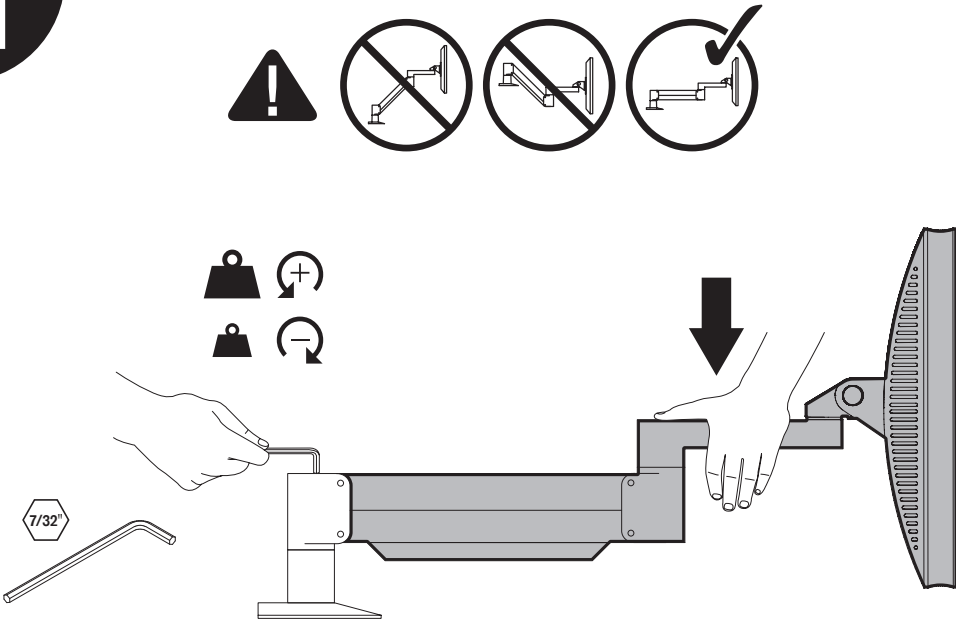
.25" Spacer Hardware Kit
 (4) .25" Spacers
 (4) M4 x 18mm Phillips Pan Head Screws
 Order # P404923-B



.5" Spacer Hardware Kit
 (4) .5" Spacers
 (4) M4 x 25mm Phillips Pan Head Screws
 Order # P404923-C

How do I counterbalance my arm?

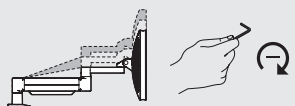
1



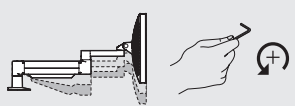
IMPORTANT!

- Monitor must be on arm
- Arm must be in mount

Press the arm down to **approximately parallel** with the desk prior to turning the strength adjustment screw.



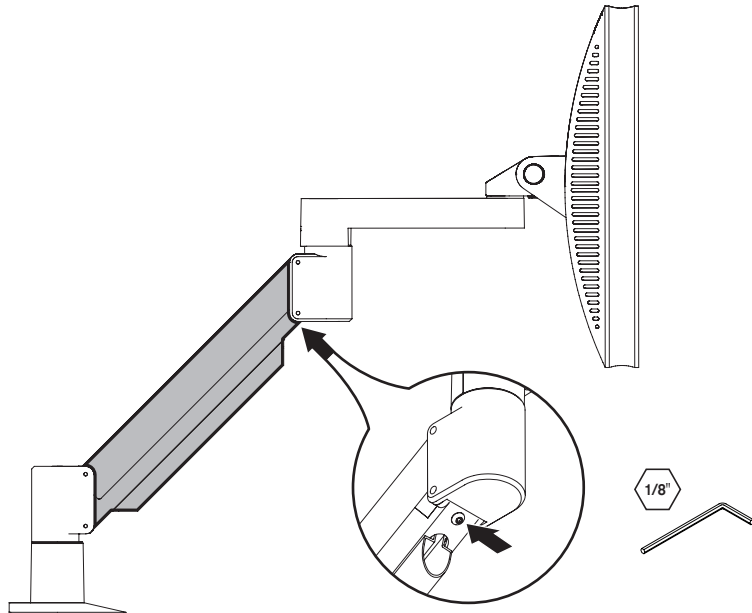
If the arm **drifts upward**, turn the adjustment screw clockwise.



If the arm **drifts downward**, turn the adjustment screw counter-clockwise.

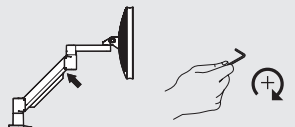
Depending on the weight of your monitor, **you may have to make 15-20 turns.**

2



In some instances, an additional counterbalance adjustment may be needed to allow the arm's instant height adjustment function to work properly.

If your arm is not staying in position after performing step 1, tighten the adjustment screw as shown.



Tighten the adjustment screw.