

USER GUIDE

CoreX Carts

TCOREX24	CoreX Charging Cart AC for up to 24 devices w/Back Panel
TCOREX24B	CoreX Charging Cart AC for up to 24 devices w/Rear Door
TCOREX36	CoreX Charging Cart AC for up to 36 devices w/Back Panel
TCOREX36B	CoreX Charging Cart AC for up to 36 devices w/Rear Door
TCOREX45	CoreX Charging Cart AC for up to 45 devices w/Back Panel
TCOREX45B	CoreX Charging Cart AC for up to 45 devices w/Rear Door

Technical Specifications

CAPACITY per slot width		1.00"	1.25"	1.50"	
TCOREX24	2 shelves		24	20	devices
TCOREX36	3 shelves		36	30	devices
TCOREX45	3 shelves	45	36	30	devices

COMPATIBILITY Designed for various sized laptops & chromebooks, yet versatile enough to support most tablets. Uses the device manufacturer supplied AC power cord and adapter.

OUTSIDE DIMENSIONS 29.50"W x 26.00"D x 44.75"H

SLOT DIMENSIONS 1.25" or 1.50" W x 17"D x
12.00"H for TCOREX24
10.00"H for TCOREX36
1.00" or 1.25" or 1.50"W x 17"D x
10.00"H for TCOREX45

WEIGHT WITHOUT DEVICES	TCOREX24	163 pounds
	TCOREX24B	170 pounds
	TCOREX36	175 pounds
	TCOREX36B	182 pounds
	TCOREX45	185 pounds
	TCOREX45B	192 pounds

POWER MANAGER Digital

POWER REQUIREMENTS 100 -125V ac, 12A, 50/60Hz;

SHIPPING Ships fully assembled, ready to load devices

WARRANTY For product specific warranty information, please visit: bretford.com/warranty



General Use

WARNING:

This cart is not intended to hold items on the top surface. Do not place any item weighing more than 1 pound on the top surface of the cart to avoid damage.

CORD PASS-THRU ON TOP

Allows devices to be powered outside of the cart, while their power cords are plugged inside the cart.

AUXILIARY OUTLET CORD

This plugs into its own IEC outlet, and provides the power for the cord pass-thru.

NOTICE: This auxiliary outlet provides a maximum 2 amps.



INTEGRATED HANDLE

Handle integrated into the top of the cart for pushing and moving the cart.

Rear Access Versions

REAR SECURITY PANEL VERSION

Can be securely held in place with Security Bolts. Panel easily lifts off to expose the back of the cart, where the adapters and cord sets are kept in cable bins.

REAR LOCKING DOOR VERSION

Hinged rear door provides easy access to the back of the cart. Door locks in place with a key. Keys found in the Hardware Pack.

DIRECTIONAL LOCK CASTERS

When engaged, keep the cart rolling in the right direction. When unengaged, allow the cart to be easily maneuvered into small spaces. Marked with a Green Locking Tab

POWER SWITCH

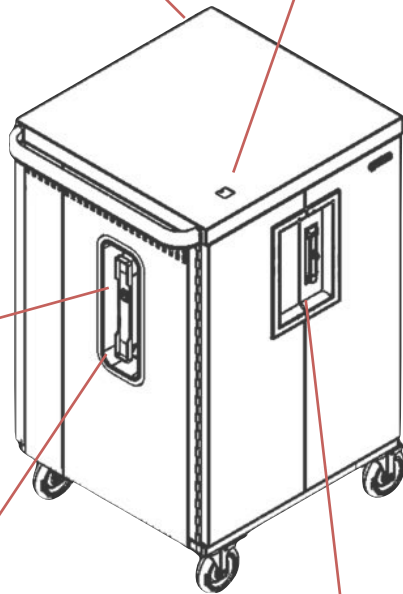
Located on the left side of the cabinet, in the Power Cord Shroud

POWER CORD SHROUD

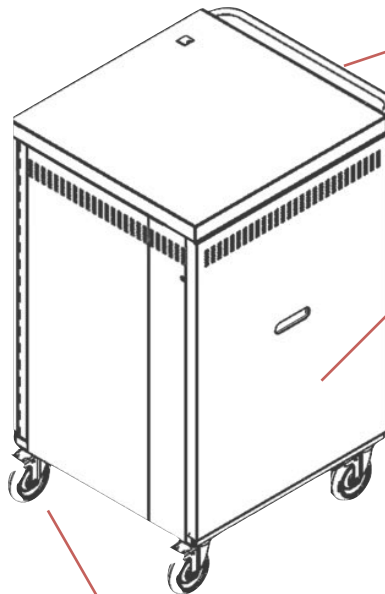
Located on the left side of the cabinet, provides a cord winder for the power cord, and an IEC outlet for plugging in the 12-foot power cord

DOOR LOCK SHROUD

Protects the padlock and the locking handle during transport



Front View



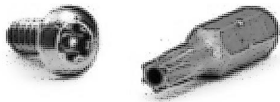
Rear View

SETTING THE COMBINATION LOCK

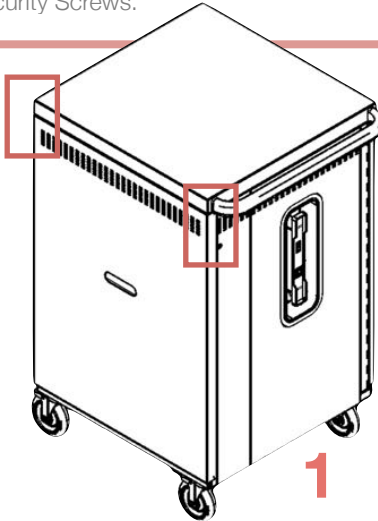
Your new COREX Cart comes equipped with a resettable Combination Padlock. You can program the lock with your own combination. The lock starts with 0-0-0-0. Follow the directions with the look for changing the combination. Remember to depress the shackle before un-engaging it from the lock.



7



Security Screws & Security Bit included in hardware pack. Your choice to use the Security Screws.

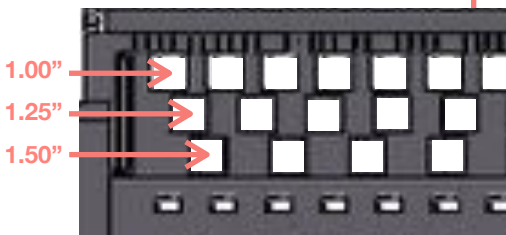


1. Unscrew the Thumb Screws - one on each side of the cart at the back. Lift off the Back Panel.



rear view of the power outlet modules
2-5. Plug adapters in & thread power connectors to the front of the cart

front view of the dividers & slot ID numbers
6. Hang the power connectors above the slots using the slots hooks provided



closeup underside of device platform



TCOREX24

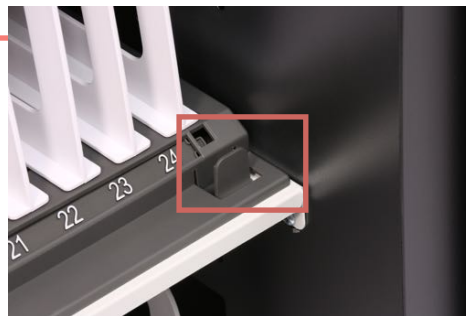


TCOREX36

Device Storage & Cable Management

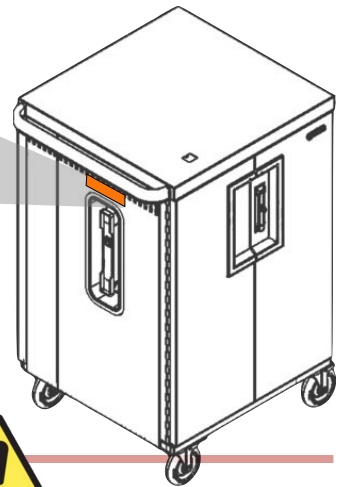
- Rear Security Panel Versions:** At the back of the cart, unscrew the two Thumb Screws on both sides of the cart. Lift the back panel off of the chassis. This exposes the power outlet modules for each of the shelves.

Rear Locking Door Versions: Using the keys from the Hardware Pack, unlock the Rear Door and swing open to reveal the power outlet modules for each of the shelves.
- Starting in the rear of the cart with the back panel removed, insert a power adapter in the storage bin for the associated device storage shelf (top, middle or bottom).
- Measure the amount of cable necessary to reach from the power adapter located in the bin to the front of the cart (over the AC outlet box, from the back to the front of the cart, through the cable management hooks). Leave sufficient slack for the power connector to plug into the device.
- Plug the device AC adapter plug into one of the outlets nearest to where the power adapter is located in the bin.
- Repeat the above process for the total number of devices' power adapters & cable sets.
- In the front of the cart, insert a device into each of the slots, and plug in the power connector to each device.
- Replace the Back Panel and either reinsert the Thumb Screws, or insert the Security Screws from the Hardware Pack (using the Security Bit, also in the Hardware Pack).
- Place the cart near a wall outlet and plug the cart in.
- Turn on the power switch - located in the front of the cord winder shroud
- Once the cart is turned on, the power manager begins rotating power to the power strips very 5 minutes. This allows efficient charging of the devices in the cart from one single 15 amp circuit.



Changing the Slot Width from 1.00" to 1.25" to 1.50"

- Slot widths ship automatically at the 1.25" width for the TCOREX36 & TCOREX24, 1.00" for the TCOREX45. If your devices need the larger width, follow these simple directions.
- Tabs located at the front of the plastic device platforms on each of the shelves can be depressed, and the platform lifts out of the cart.
- Flip the device platform over, and remove each of the plastic dividers by "pinching" the divider tabs that stick thru the platform.
- Reinsert the dividers into the square slots which create the 1.5" slot width. (see the closeup at the left of the underside of the platform.)
- Flip the device platform upright and reinsert into the shelf.
- The slot number indicator can now be repositioned at "10", replacing "12" "20" replacing #24" and "30" replacing "36"



"WARNING": This Safe User Label is attached to the side of the cart, warning that the cart may tip over if transported incorrectly, which could cause injury.

- Do not allow children under 16 to move cart. Only adults should move this cart.
- Move the cart slowly
- Apply moving force on the narrow dimension.
- Always push using the handles. Push the cart, do not pull it.
- Engage the directional lock casters when moving the cart for added stability & safety.

"WARNING": Relocating audio and/or video devices to a cart not specifically designed to support audio and/or video devices may result in death or serious injury due to the cart collapsing or over turning onto a child.

"WARNING": Death or serious injury may occur when children climb on a cart. A remote control or toys placed on the cart may encourage a child to climb on the cart and as a result, the cart may tip over on to the child.

Safe Use Instructions

- The socket outlet shall be installed near the cart and shall be easily accessible.
- Make sure all devices do not exceed the maximum load rating of 12 amps.
- Power strips inside cart are intended only for charging compatible devices. Any other use may cause overload.
- Do not move cart by pulling the power cord. Before moving cart from one room to the next, wrap power cord around the cord winder located on the side of the cart.
- Do not plug the cart in if the switch, receptacle(s), or power cord has been damaged. Contact Bretford or a qualified electrician before attempting to make any type of electrical repair or parts replacement.
- Engage locking casters when cart is not in transit.
- Do not block ventilation holes on cart. Proper air flow is required for safe operation.
- Cart is not designed to be operated by a child or student. Adult operation and supervision is recommended at all times.
- Liquids should not be stored in, set on or placed inside the cart.
- Only clean the surfaces of cart with soft dry cloth. Do not use liquid or spray or abrasive cleansers. Use only disinfecting wipes containing no bleach.
- Product is for indoor use only.
- User can plug in up to 36 devices at one time.
- Turn power switch off before plugging in devices
- Turn power switch off before unplugging the cart.
- Do not pull the cart. Always push cart using the handles. Use extra caution on ramps and thresholds.
- Do not plug the power cord into another extension cord or re-locatable power tap.
- Be sure to turn power switch off and unplug cart before moving to a different location.
- Ensure casters are locked before opening the cart doors.
- Be sure to lock up cart in a secure environment after every use.
- do not share the lock combination code with any unauthorized persons.

