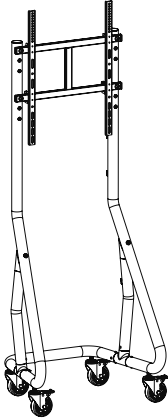


Owner's Manual



Heavy-Duty Streamline Portrait Mobile Cart

Model: DMCSF4560HDS



CAUTION: DO NOT EXCEED MAXIMUM LISTED WEIGHT CAPACITY. SERIOUS INJURY OR PROPERTY DAMAGE MAY OCCUR!



200 x 200/300 x 200
300 x 300/400 x 200
400 x 300/400 x 400
600 x 400



Este manual esta disponible en español en la página de Tripp Lite: tripplite.com

Ce manuel est disponible en français sur le site Web de Tripp Lite : tripplite.com

Русскоязычная версия настоящего руководства представлена на веб-сайте компании Tripp Lite по адресу: tripplite.com

Dieses Handbuch ist in deutscher Sprache auf der Tripp Lite-Website verfügbar: tripplite.com

WARRANTY REGISTRATION

Register your product today and be automatically entered to win an ISOBAR® surge protector in our monthly drawing!

tripplite.com/warranty



TRIPP·LITE



1111 W. 35th Street, Chicago, IL 60609 USA • tripplite.com/support

Copyright © 2021 Tripp Lite. All rights reserved.

Safety Instructions

NOTE: Read the entire instruction manual before you start assembly and installation.



WARNING

- Do not begin the installation until you have read and understood the instructions and warnings contained in this manual. If you have questions regarding any of the instructions or warnings, please visit triplite.com/support.
- This product was designed to be installed and utilized ONLY as specified in this manual. Improper installation of this product may cause damage or serious injury.
- This product should only be installed by someone of good mechanical ability, with basic building experience and a full understanding of this instruction manual.
- Make sure the unit can safely support the combined load of the equipment and all attached hardware and components.
- Always use an assistant or mechanical lifting equipment to safely lift and position equipment.
- This product is intended for indoor use only. Using this product outdoors could lead to product failure and/or personal injury.

Warranty and Product Registration

5-Year Limited Warranty

Seller warrants this product, if used in accordance with all applicable instructions, to be free from original defects in material and workmanship for a period of 5 years from the date of initial purchase. If the product should prove defective in material or workmanship within that period, Seller will repair or replace the product, in its sole discretion.

THIS WARRANTY DOES NOT APPLY TO NORMAL WEAR OR TO DAMAGE RESULTING FROM ACCIDENT, MISUSE, ABUSE OR NEGLIGENCE. SELLER MAKES NO EXPRESS WARRANTIES OTHER THAN THE WARRANTY EXPRESSLY SET FORTH HEREIN. EXCEPT TO THE EXTENT PROHIBITED BY APPLICABLE LAW, ALL IMPLIED WARRANTIES, INCLUDING ALL WARRANTIES OF MERCHANTABILITY OR FITNESS, ARE LIMITED IN DURATION TO THE WARRANTY PERIOD SET FORTH ABOVE; AND THIS WARRANTY EXPRESSLY EXCLUDES ALL INCIDENTAL AND CONSEQUENTIAL DAMAGES. (Some states do not allow limitations on how long an implied warranty lasts, and some states do not allow the exclusion or limitation of incidental or consequential damages, so the above limitations or exclusions may not apply to you. This warranty gives you specific legal rights, and you may have other rights which vary from jurisdiction to jurisdiction).

WARNING: The individual user should take care to determine prior to use whether this device is suitable, adequate or safe for the use intended. Since individual applications are subject to great variation, the manufacturer makes no representation or warranty as to the suitability or fitness of these devices for any specific application.

PRODUCT REGISTRATION

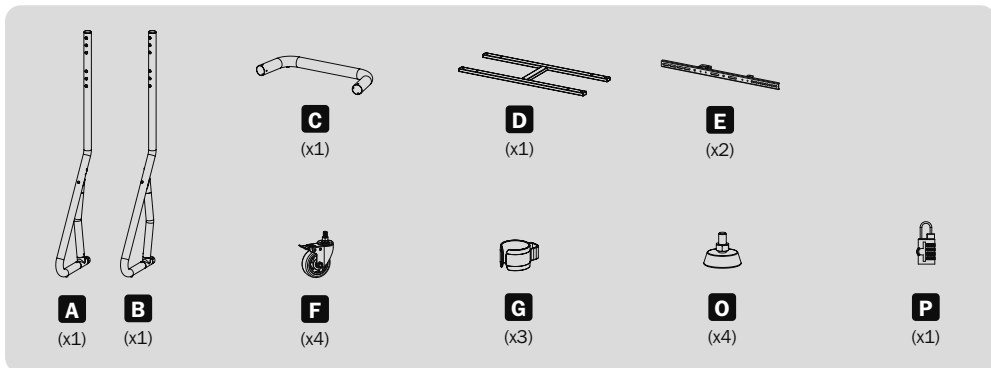
Visit triplite.com/warranty today to register your new Tripp Lite product. You'll be automatically entered into a drawing for a chance to win a FREE Tripp Lite product!*

* No purchase necessary. Void where prohibited. Some restrictions apply. See website for details.

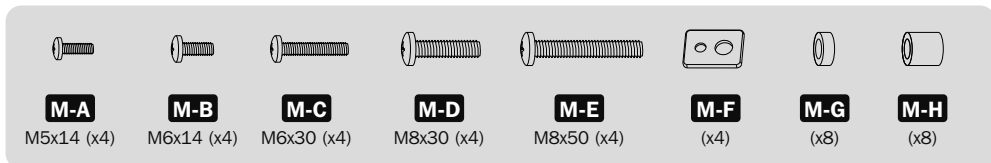
Tripp Lite has a policy of continuous improvement. Specifications are subject to change without notice. Photos and illustrations may differ slightly from actual products.

Component Checklist

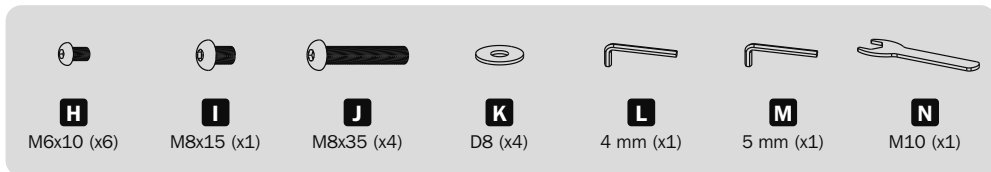
IMPORTANT: Ensure you have received all parts according to the component checklist prior to installing. If any parts are missing or faulty, visit triplite.com/support for service.



Package M

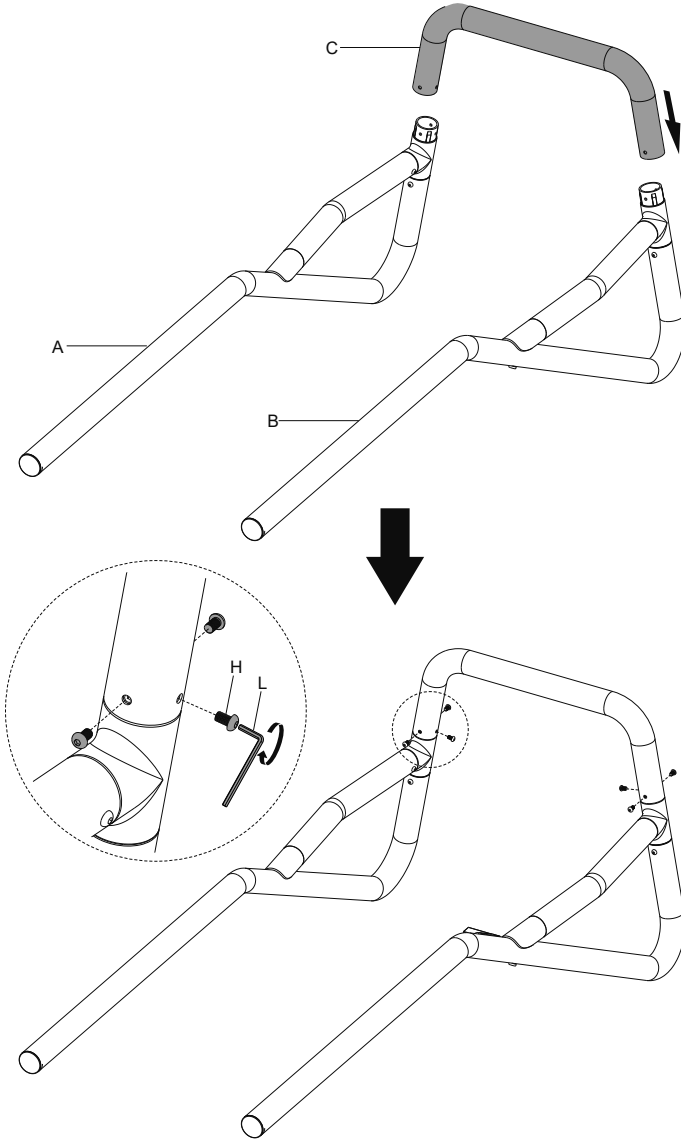


Package P



Assembly

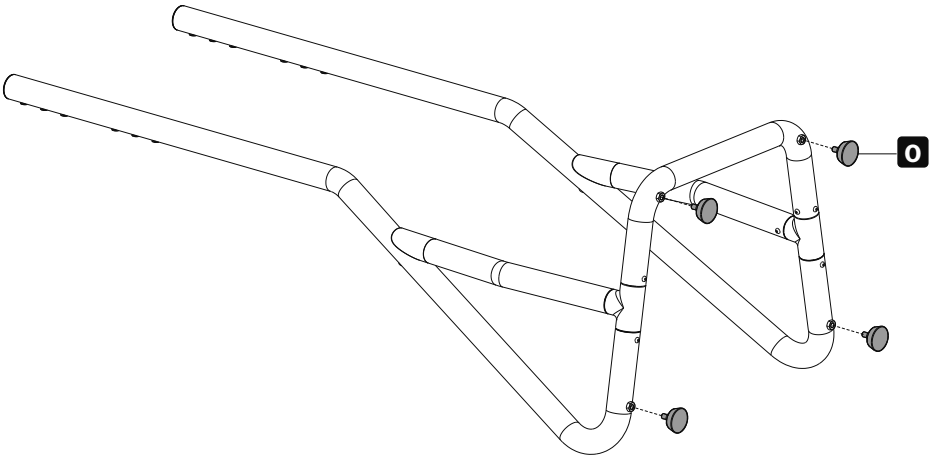
1



Assembly

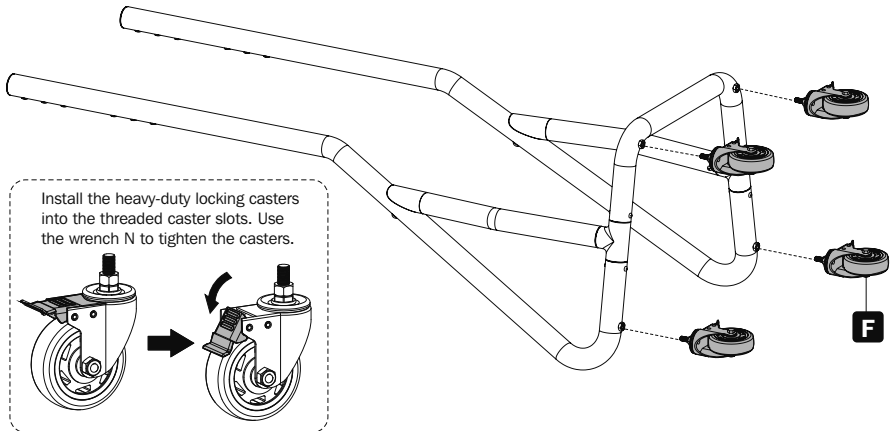
2a

For Use as a Fixed Stand



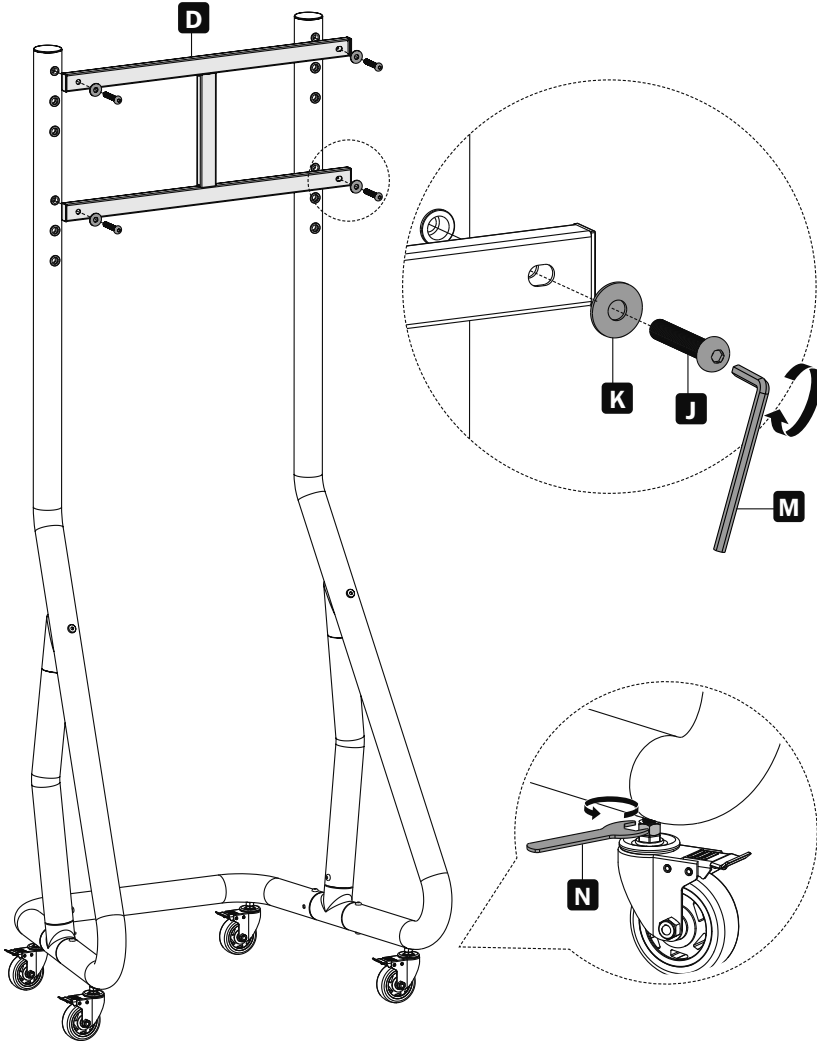
2b

For Use as a Mobile Cart



Assembly

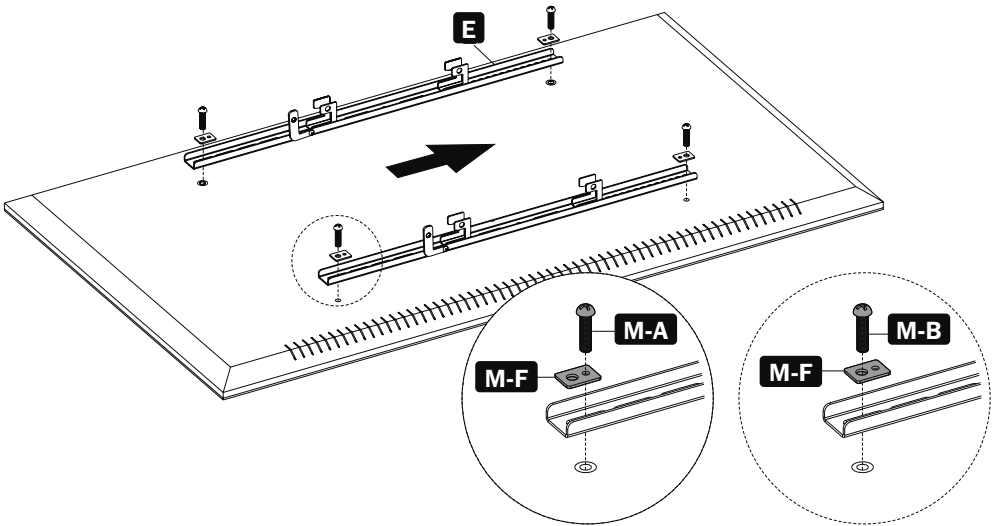
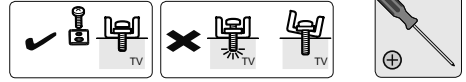
3



Assembly

4a

For Flat-Back Screens



Note: Choose the appropriate Screws, Washers and Spacers (if needed) according to the type of screen.



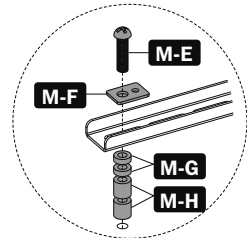
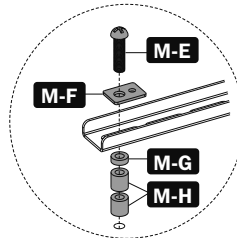
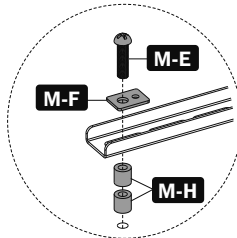
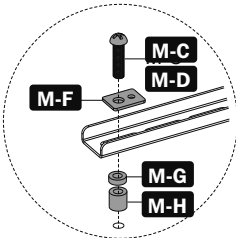
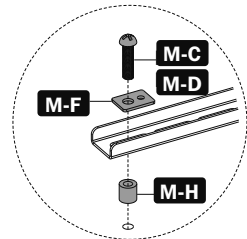
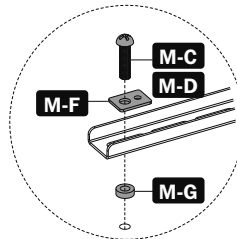
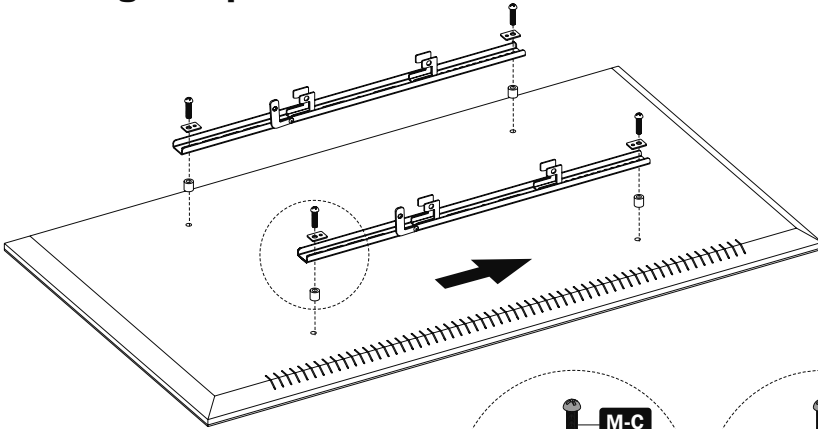
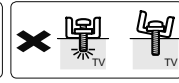
CAUTION:

Do not over-tighten screws.

Assembly

4b

For Recessed-Back Screens or Accessing A/V Inputs



Note: Choose the appropriate Screws, Washers and Spacers (if needed) according to the type of screen.

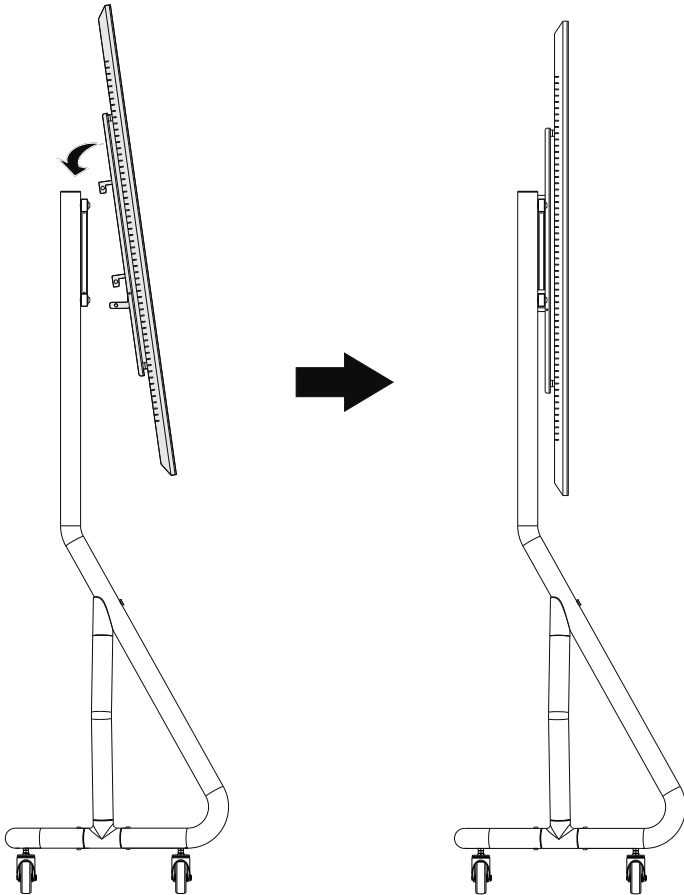


CAUTION:

Do not over-tighten screws.

Assembly

5



Note: With the help of an assistant or mechanical lifting equipment, hook the mounting arms onto the mounting brackets.

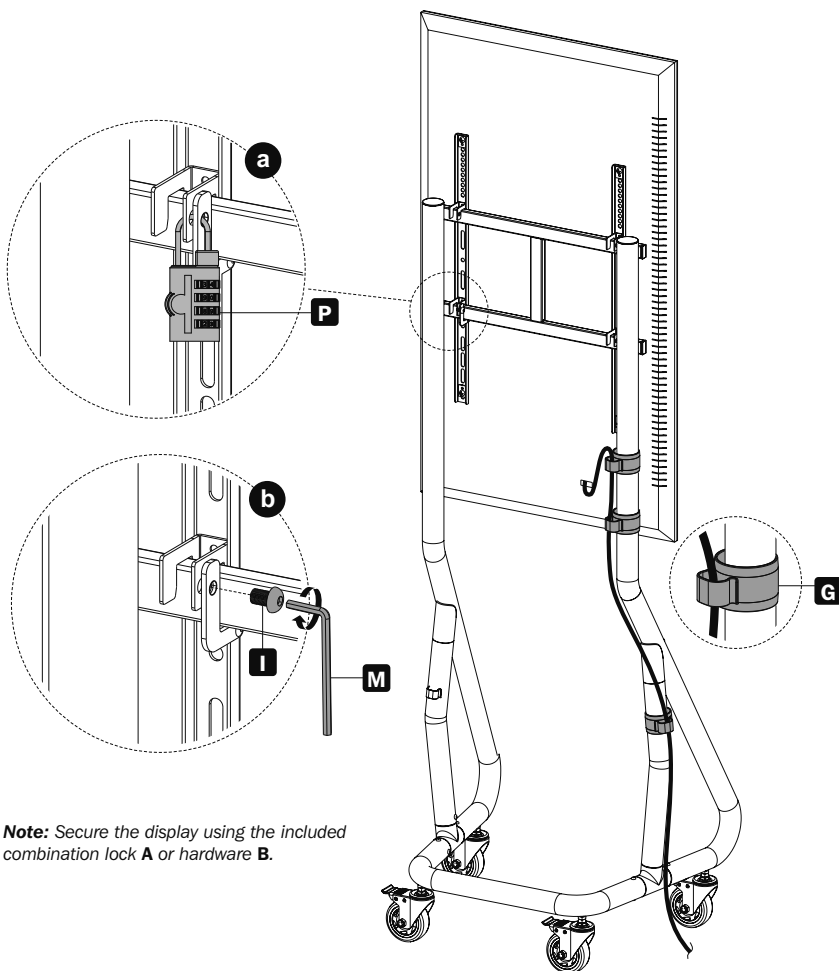


CAUTION:

Make sure the display is correctly mounted before releasing the display.

Assembly

6



Note: Secure the display using the included combination lock **A** or hardware **B**.

Maintenance

- Check that the bracket is secure and safe to use at regular intervals (at least every three months).
- Please visit tripplite.com/support if you have any questions.



1111 W. 35th Street, Chicago, IL 60609 USA • tripplite.com/support