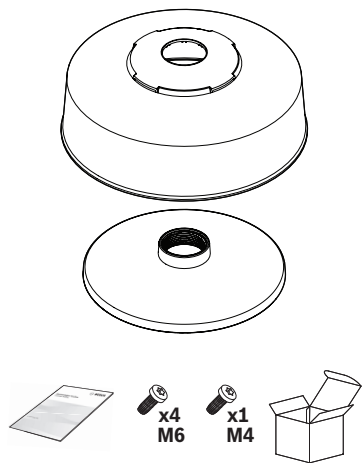
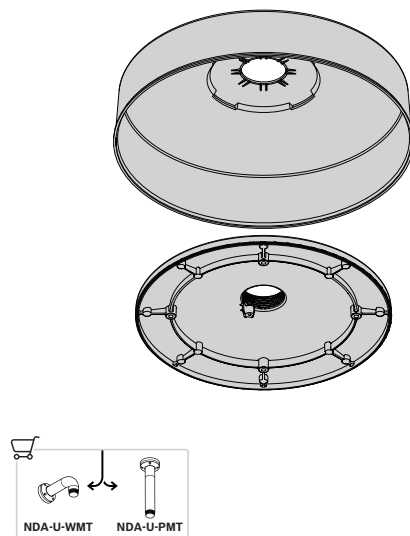


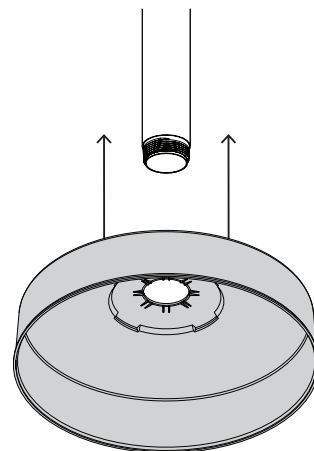
1 |



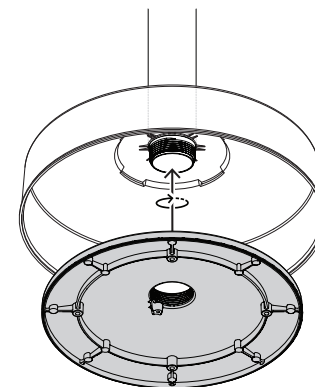
2 |



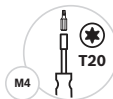
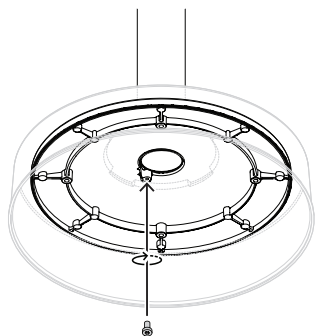
3 |



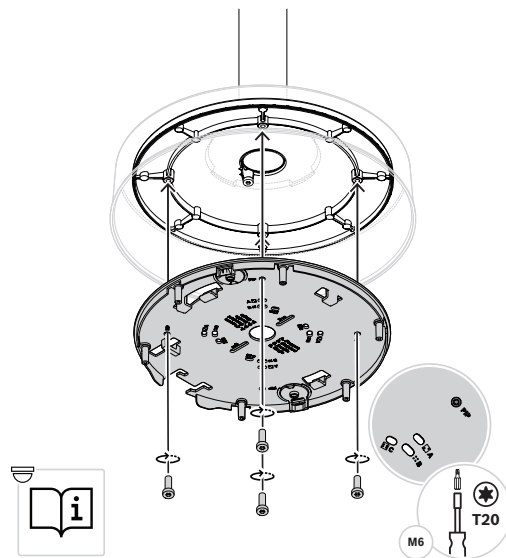
4 |



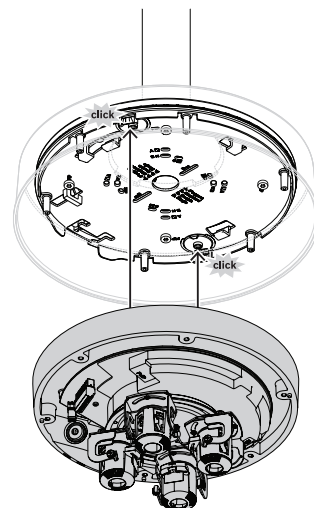
5 |



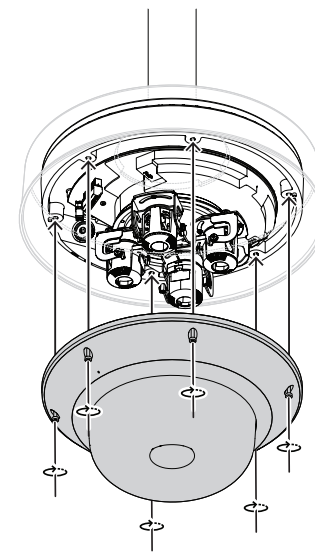
6 |

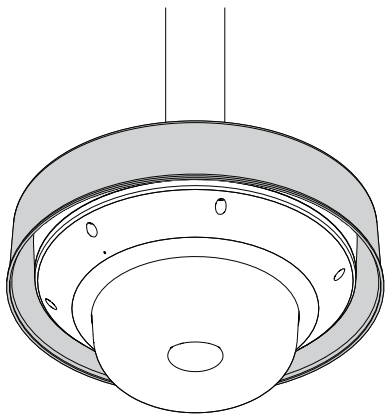


7 |

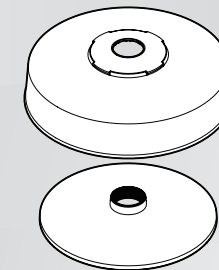


8 |



**Pendant Interface Plate, 275mm**

NDA-7050-PIPW

**en** Quick installation guide**Bosch Security Systems B.V.**Torenallee 49  
5617 BA Eindhoven  
Netherlands**[www.boschsecurity.com](http://www.boschsecurity.com)**

© Bosch Security Systems B.V., 2021