

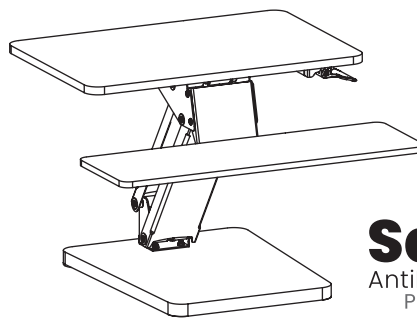
# Owner's Manual



WorkWise™

## Height-Adjustable Sit-Stand Desktop Workstation with Antimicrobial Coating\*

Model: WSSDTAM



**Safe-IT™**  
AntiMICROBIAL  
PRODUCTS

\*Antimicrobial coating inhibits the growth of bacteria, viruses, fungi, mold and mildew



**CAUTION: DO NOT EXCEED MAXIMUM LISTED WEIGHT CAPACITY (29 lb. / 13 kg). SERIOUS INJURY OR PROPERTY DAMAGE MAY OCCUR!**

Este manual está disponible en español en la página de Tripp Lite: [tripplite.com](http://tripplite.com)

Ce manuel est disponible en français sur le site Web de Tripp Lite : [tripplite.com](http://tripplite.com)

Русскоязычная версия настоящего руководства представлена на веб-сайте компании Tripp Lite по адресу: [tripplite.com](http://tripplite.com)

Dieses Handbuch ist in deutscher Sprache auf der Tripp Lite-Website verfügbar: [tripplite.com](http://tripplite.com)

### WARRANTY REGISTRATION

Register your product today and be automatically entered to win an ISOBAR® surge protector in our monthly drawing!

[tripplite.com/warranty](http://tripplite.com/warranty)



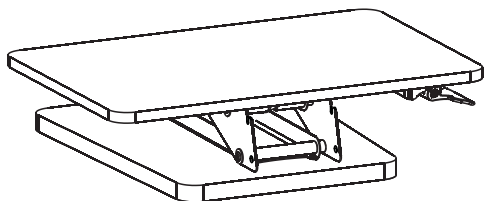
1111 W. 35th Street, Chicago, IL 60609 USA • [tripplite.com/support](http://tripplite.com/support)

Copyright © 2021 Tripp Lite. All rights reserved.

# Component Checklist



**IMPORTANT:** Ensure all parts according to the component checklist have been received prior to installation. If any parts are missing or faulty, visit [tripplite.com/support](http://tripplite.com/support) for service.



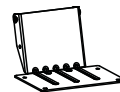
**A**

(x1) Workstation



**B**

(x1) Keyboard Tray



**C**

(x1) Hinge



**D**

(x6) Screws



**E**

(x2) Bumpers

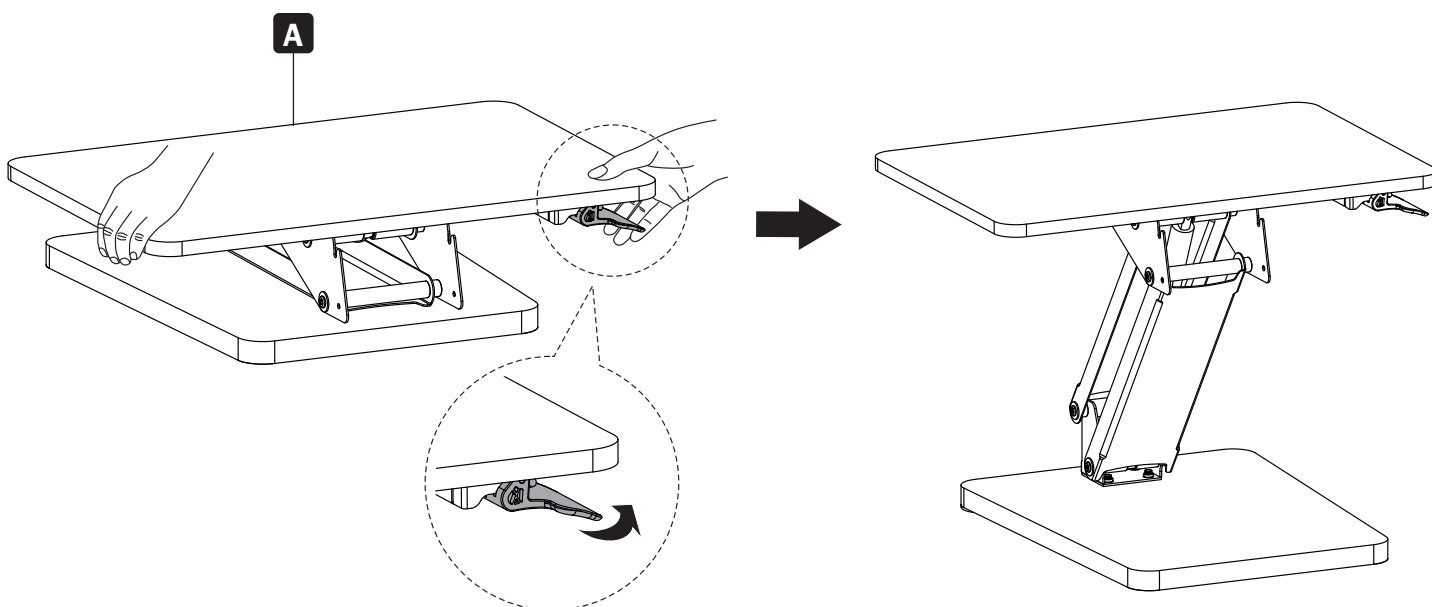


**F**

(x1) Hex Wrench

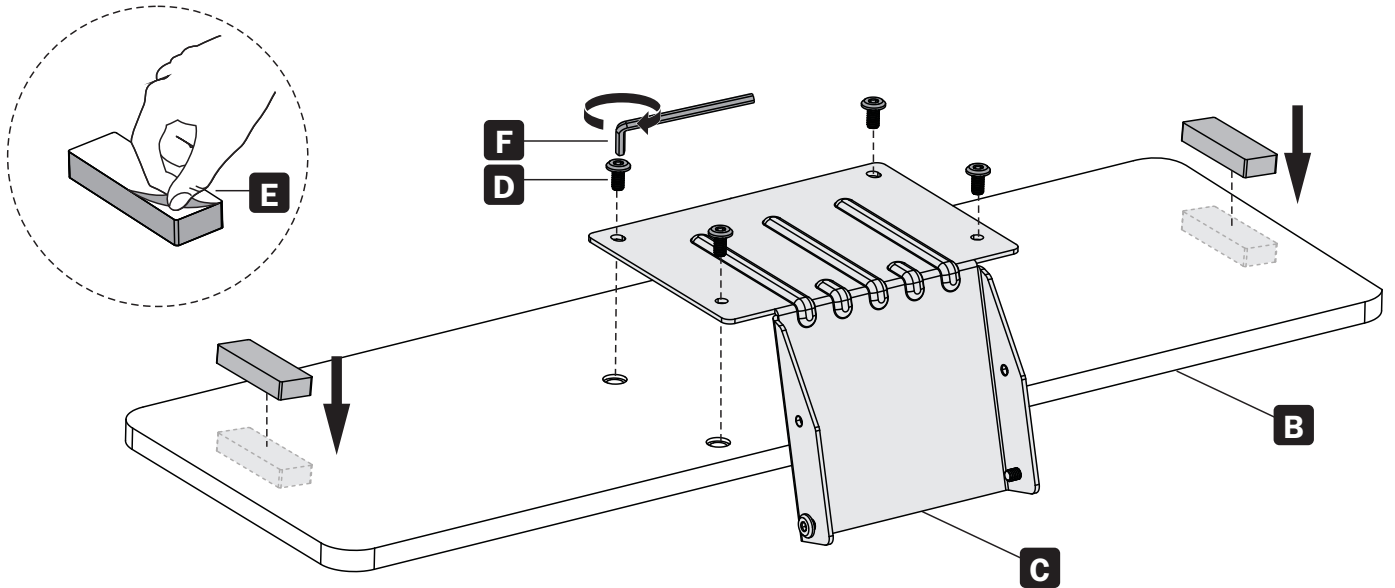
## Assembly

1. Remove Workstation **A** from carton. Press the paddle to adjust height.

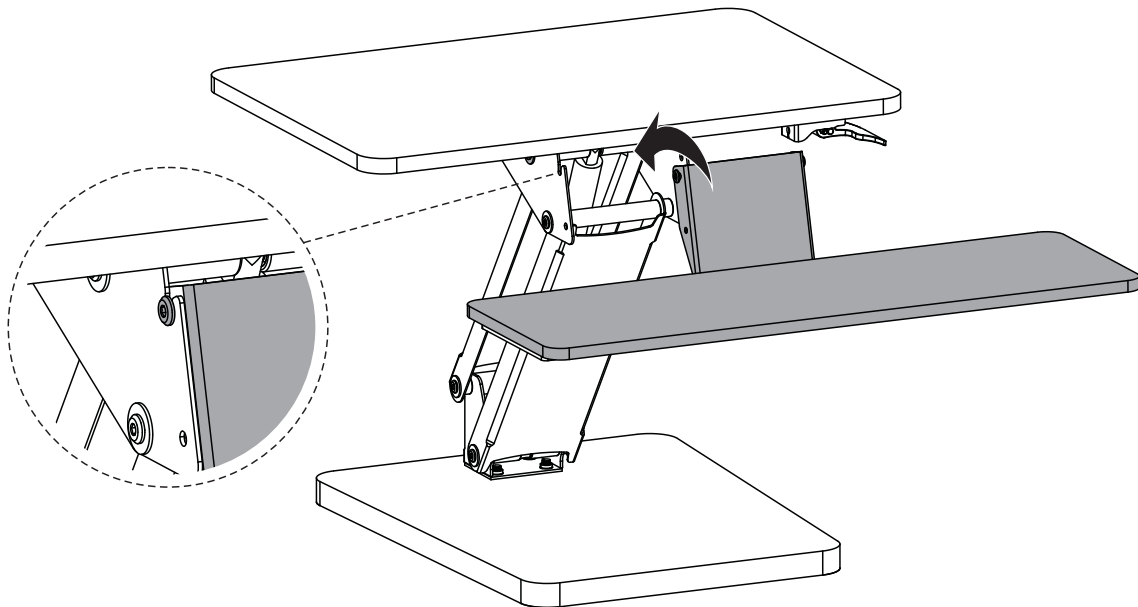


# Assembly

2. Attach the Hinge **C** to the Keyboard Tray **B** using the included Screws **D** and Hex Wrench **F**.  
Attach the Bumpers **E**.

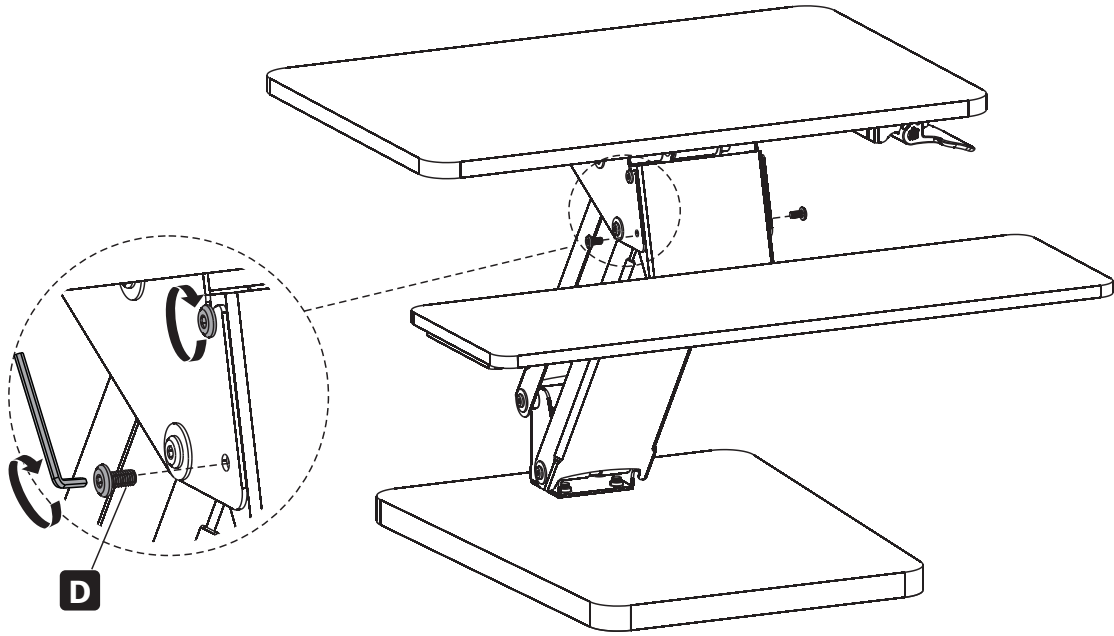


3. Attach the Keyboard Tray to the Workstation.



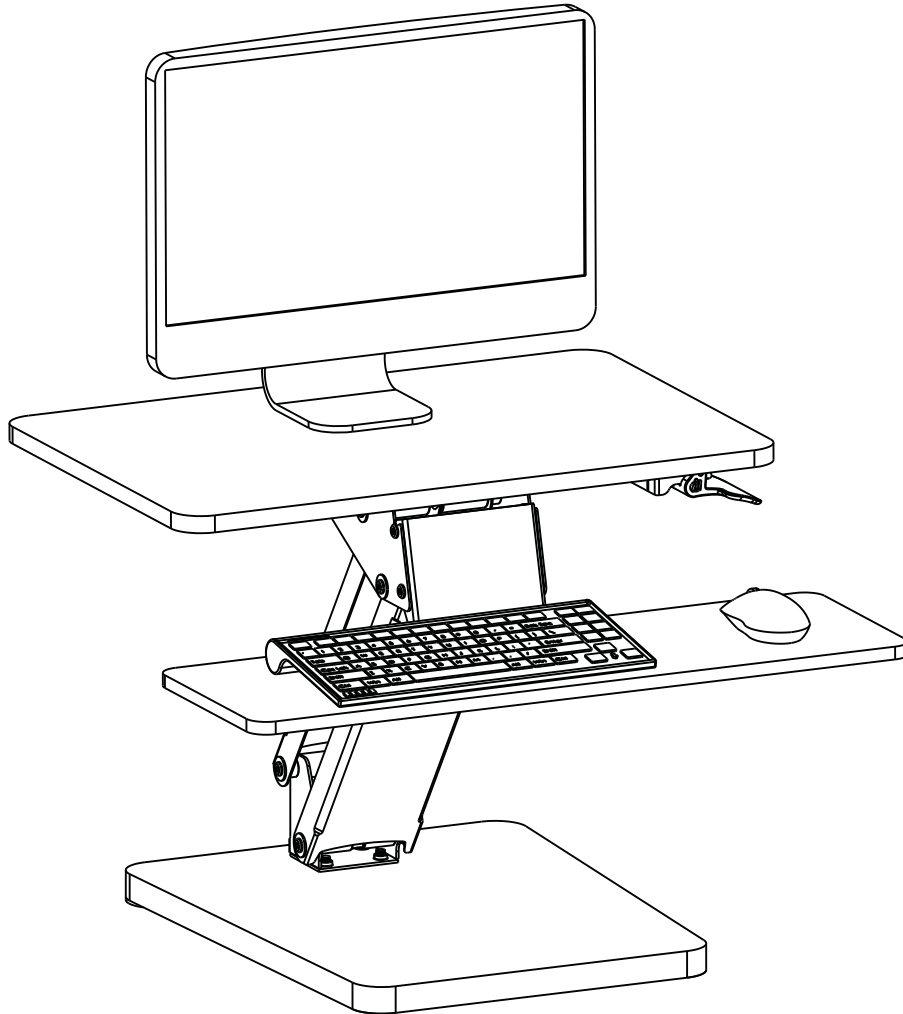
## Assembly

4. Raise the Workstation to a 45° angle. At the rear of the Workstation, use the Hex Key to adjust the tension. Add more tension for heavier items and less tension for lighter items.



## Assembly

5. You may adjust the height of the Workstation from 6.3 in. to 17.5 in. (16 cm to 44.5 cm). The Keyboard Tray supports a maximum weight of 4.4 lb. (2 kg).



# Warranty and Product Registration

## 5-Year Limited Warranty

Seller warrants this product, if used in accordance with all applicable instructions, to be free from original defects in material and workmanship for a period of 5 years from the date of initial purchase. If the product should prove defective in material or workmanship within that period, Seller will repair or replace the product, at its sole discretion.

THIS WARRANTY DOES NOT APPLY TO NORMAL WEAR OR TO DAMAGE RESULTING FROM ACCIDENT, MISUSE, ABUSE OR NEGLIGENCE. SELLER MAKES NO EXPRESS WARRANTIES OTHER THAN THE WARRANTY EXPRESSLY SET FORTH HEREIN. EXCEPT TO THE EXTENT PROHIBITED BY APPLICABLE LAW, ALL IMPLIED WARRANTIES, INCLUDING ALL WARRANTIES OF MERCHANTABILITY OR FITNESS, ARE LIMITED IN DURATION TO THE WARRANTY PERIOD SET FORTH ABOVE; AND THIS WARRANTY EXPRESSLY EXCLUDES ALL INCIDENTAL AND CONSEQUENTIAL DAMAGES. (Some states do not allow limitations on how long an implied warranty lasts, and some states do not allow the exclusion or limitation of incidental or consequential damages, so the above limitations or exclusions may not apply to you. This warranty gives you specific legal rights, and you may have other rights which vary from jurisdiction to jurisdiction.)

**WARNING:** The individual user should take care to determine prior to use whether this device is suitable, adequate or safe for the use intended. Since individual applications are subject to great variation, the manufacturer makes no representation or warranty as to the suitability or fitness of these devices for any specific application.

## Product Registration

Visit [triplite.com/warranty](http://triplite.com/warranty) today to register your new Tripp Lite product. You'll be automatically entered into a drawing for a chance to win a FREE Tripp Lite product!\*

\* No purchase necessary. Void where prohibited. Some restrictions apply. See website for details.

Tripp Lite has a policy of continuous improvement. Specifications are subject to change without notice. Photos and illustrations may differ slightly from actual products.





1111 W. 35th Street, Chicago, IL 60609 USA • [triplite.com/support](http://triplite.com/support)

21-02-122 • 93-3DE8\_RevA