

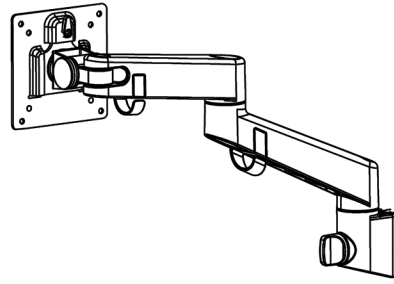


Replaceable Articulating Separate Arm

Loading capacity

0.8Kg (0-17.6lbs)

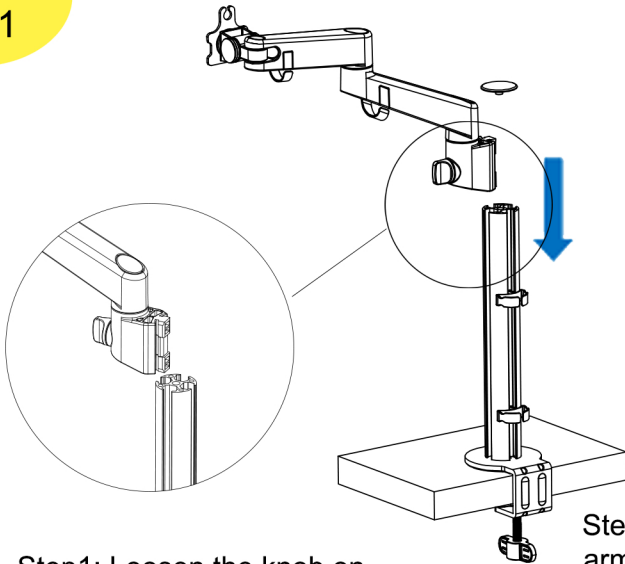
Screen size: 17"-29"



CE-MT3G11-S1

04-1345A

1

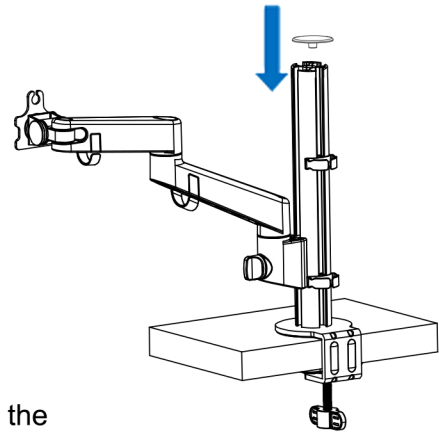


Step1: Loosen the knob on the arm, then slide the arm into the pole.



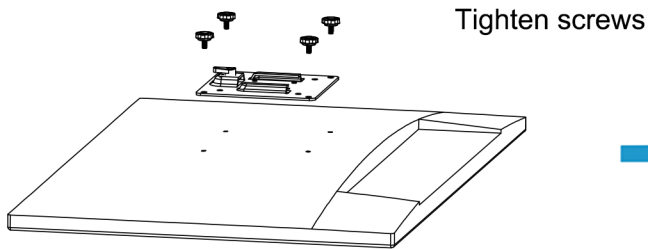
Step2: Tighten the knob on the arm when it reaches required height.

NOTE: Please DO make sure the arm is firmly fixed on the pole.



Step3: Cover the top cap.

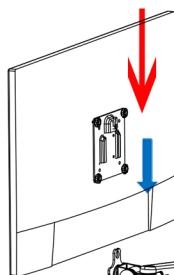
2 VESA plate installation



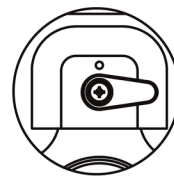
3 Monitor installation



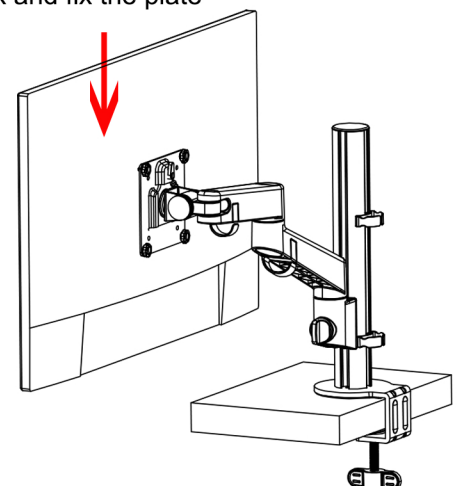
Before slide in, please make sure the knob is vertical



Slide in the VESA plate

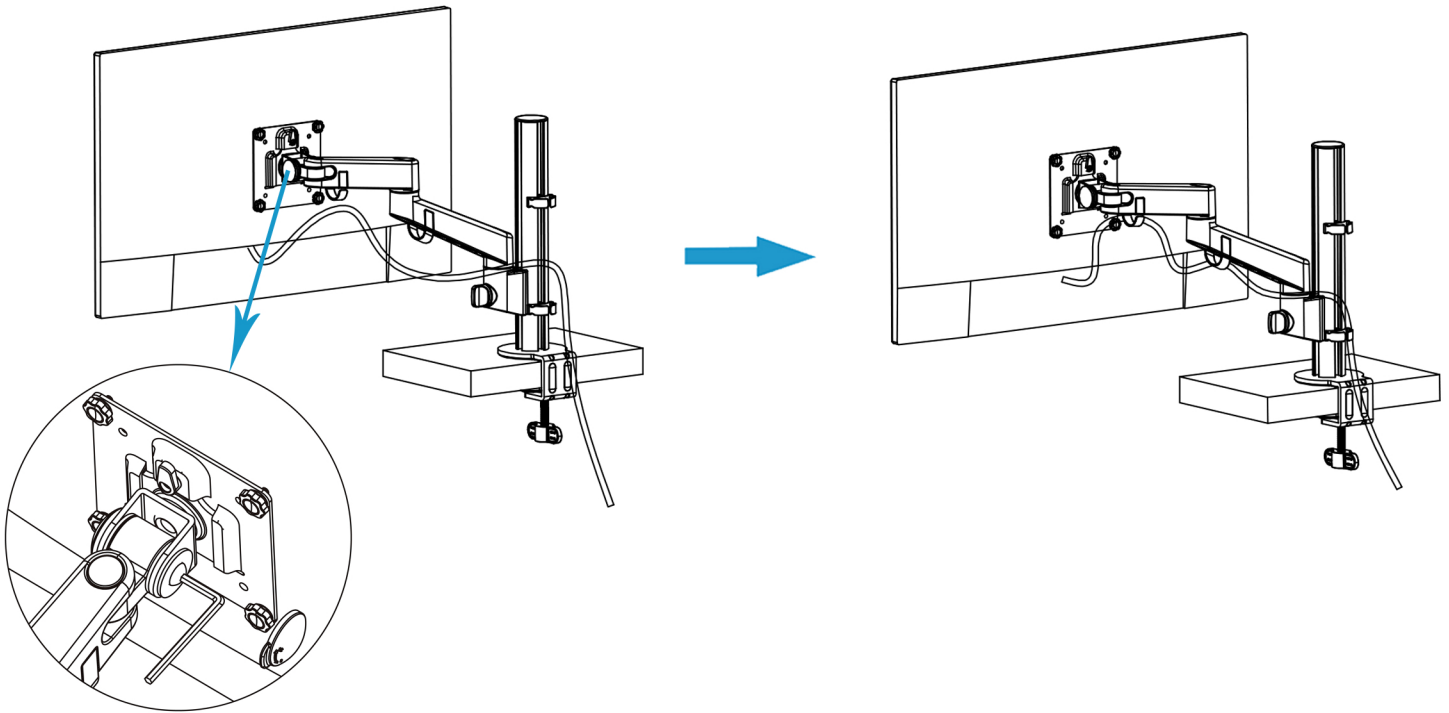


Then turn the knob to right to lock and fix the plate



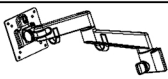
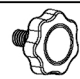

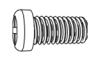
4

Cable Management



Tighten the screw for heavier monitor

Parts list

Item	Description	Quantity	Item	Description	Quantity
	Arm	1		Monitor Screw(M4*9)	4
	Allen Wrench	1		Monitor Screw(M4*12)	4