

Owner's Manual

4K A/V over Cat6 Wall-Plate Extender Kits and Receivers

HDMI Extender Kit Models:

B127A-1A1-FHFH, B127A-2A1-FHFH, B127A-1A1-BHFH

DisplayPort to HDMI Extender Kit Models:

B127A-1A1-FDFH, B127A-1A1-BDFH

HDMI Receiver Models: B127A-1A0-FH, B127A-2A0-FH

Este manual está disponible en español en la página de Tripp Lite:
tripplite.com

Ce manuel est disponible en français sur le site Web de Tripp Lite :
tripplite.com

Русскоязычная версия настоящего руководства представлена на
веб-сайте компании Tripp Lite по адресу: tripplite.com

Dieses Handbuch ist in deutscher Sprache auf der Tripp Lite-Website
verfügbar: tripplite.com

WARRANTY REGISTRATION

Register your product today and be automatically entered to
win an ISOBAR® surge protector in our monthly drawing!

tripplite.com/warranty



Manufacturing
Excellence.

1111 W. 35th Street, Chicago, IL 60609 USA • tripplite.com/support

Copyright © 2021 Tripp Lite. All rights reserved.

Package Contents

B127A-1A1-FHFH

- Wall-Plate Transmitter and Receiver
- External Power Supply (Input: 100-240V, 50/60 Hz, 0.6A; Output: 24V/1A)
- Plug Adapters (AS/NZS 3112 Australia; BS 1363 U.K.; CEE 7/16 Schuko; NEMA 1-15P North America)
- IR-In and IR-Out Cables
- Mounting Screws
- Owner's Manual

B127A-2A1-FHFH

- Wall-Plate Transmitter and Dual Output Receiver
- External Power Supply (Input: 100-240V, 50/60 Hz, 0.6A; Output: 24V/1A)
- Plug Adapters (AS/NZS 3112 Australia; BS 1363 U.K.; CEE 7/16 Schuko; NEMA 1-15P North America)
- IR-In and IR-Out Cables
- Mounting Screws
- Owner's Manual

Package Contents

B127A-1A1-FDFH

- Wall-Plate DisplayPort Transmitter and HDMI Receiver
- External Power Supply (Input: 100-240V, 50/60 Hz, 0.6A; Output: 24V/1A)
- Plug Adapters (AS/NZS 3112 Australia; BS 1363 U.K.; CEE 7/16 Schuko; NEMA 1-15P North America)
- IR-In and IR-Out Cables
- Mounting Screws
- Owner's Manual

B127A-1A1-BHFH

- Box-Style Transmitter and Wall-Plate Receiver
- External Power Supply (Input: 100-240V, 50/60 Hz, 0.6A; Output: 24V/1A)
- Plug Adapters (AS/NZS 3112 Australia; BS 1363 U.K.; CEE 7/16 Schuko; NEMA 1-15P North America)
- IR-In and IR-Out Cables
- Mounting Hardware
- Owner's Manual

Package Contents

B127A-1A1-BDFH

- Box-Style DisplayPort Transmitter and Wall-Plate HDMI Receiver
- External Power Supply (Input: 100-240V, 50/60 Hz, 0.6A; Output: 24V/1A)
- Plug Adapters (AS/NZS 3112 Australia; BS 1363 U.K.; CEE 7/16 Schuko; NEMA 1-15P North America)
- Mounting Hardware
- Owner's Manual

B127A-1A0-FH

- Wall-Plate Receiver
- Mounting Screws
- Owner's Manual

B127A-2A0-FH

- Wall-Plate Dual-Output Receiver
- Mounting Screws
- Owner's Manual

Optional Accessories

- N202-Series Cat6 24 AWG Solid-Wire Patch Cables
- P569-XXX-CERT or P568-XXX-2A Series High-Speed HDMI 2.0 Cables
- P580-Series DisplayPort 1.2 Cables
- B127A-010-H Signal Booster

Product Features

B127A-1A1-FHFH

- Extends video resolutions up to 4K x 2K (3840 x 2160) @ 60 Hz (as specified in HDMI 2.0) to an HDMI monitor up to 230 ft. (70 m)
- HDCP 2.2, High Dynamic Range (HDR) and 4:4:4 color space compatible
- Local HDMI port included on transmitter unit supports 4K/60 Hz
- Plug and play—no software or drivers required
- Power over Cable (PoC) function allows external power supply to be plugged in at either transmitter or receiver side and provides power to both units
- Single-gang metal wall-plate design with included mounting screws
- Support up to 7.1-channel surround sound audio
- Supports bi-directional IR with the included IR-In and IR-Out cables
- Compatible with B127A-010-H signal booster to extend the maximum transmission distance to 400 ft. (120m) from the source (sold separately, see triplite.com)

B127A-2A1-FHFH

- Extends video resolutions up to 4K x 2K (3840 x 2160) @ 60 Hz (as specified in HDMI 2.0) to an HDMI monitor up to 230 ft. (70 m)

Product Features

- Single-gang metal wall-plate design with included mounting screws
- HDCP 2.2, High Dynamic Range (HDR) and 4:4:4 color space compatible
- Local HDMI port included on transmitter unit supports 4K/60 Hz
- Plug and play—no software or drivers required
- Power over Cable (PoC) function allows the external power supply to be plugged in at either transmitter or receiver side and provides power to both units
- Support up to 7.1-channel surround sound audio
- Supports bi-directional IR with the included IR-In and IR-Out cables
- Compatible with B127A-010-H signal booster to extend the maximum transmission distance to 400 ft. (120m) from the source (sold separately, see tripplite.com)

B127A-1A1-FDFH

- Extends video resolutions up to 4K x 2K (3840 x 2160) @ 60 Hz (as specified in HDMI 2.0) to an HDMI monitor up to 230 ft. (70 m)
- Single-gang metal wall-plate design with included mounting screws
- HDCP 2.2, High Dynamic Range (HDR) and 4:4:4 color space compatible

Product Features

- Local HDMI port included on transmitter unit supports 4K/60 Hz
- Plug and play—no software or drivers required
- Bi-directional Power over Cable (PoC) function allows external power supply to be plugged in at either transmitter or receiver side
- Remote receiver unit includes built-in equalization (EQ) control
- Real-time compression and decompression technology
- Supports pass-through audio formats including:
LPCM 2.0/5.1/7.1
- Compatible with B127A-010-H signal booster to extend the maximum transmission distance to 400 ft. (120m) from the source (sold separately, see tripplite.com)

B127A-1A1-BHFH

- Extends video resolutions up to 4K x 2K (3840 x 2160) @ 60 Hz (as specified in HDMI 2.0) to an HDMI monitor up to 230 ft. (70 m)
- Box-style transmitter can be mounted to a wall, 19" rack, pole or other hard surface with included mounting hardware
- Single-gang metal wall-plate receiver with included mounting screws
- HDCP 2.2, High Dynamic Range (HDR) and 4:4:4 color space compatible
- Local HDMI port included on transmitter unit supports 4K/60 Hz

Product Features

- Plug and play—no software or drivers required
- Power over Cable (PoC) function allows external power supply to be plugged in at the transmitter side and provides power to receiver unit
- Remote receiver unit includes built-in equalization (EQ) control
- Real-time compression and decompression technology
- Supports bi-directional IR with the included IR-In and IR-Out cables
- Compatible with B127A-010-H signal booster to extend the maximum transmission distance to 400 ft. (120m) from the source (sold separately, see triplite.com)

B127A-1A1-BDFH

- Extends video resolutions up to 4K x 2K (3840 x 2160) @ 60 Hz (as specified in HDMI 2.0) to an HDMI monitor up to 230 ft. (70 m)
- Box-style transmitter can be mounted to a wall, 19" rack, pole or other hard surface with included mounting hardware
- Single-gang metal wall-plate receiver with included mounting screws
- HDCP 2.2, High Dynamic Range (HDR) and 4:4:4 color space compatible
- Local HDMI port included on transmitter unit supports 4K/60 Hz
- Plug and play—no software or drivers required

Product Features

- Power over Cable (PoC) function allows external power supply to be plugged in at the transmitter side and provides power to receiver unit
- Includes real-time video compression and decompression technology
- Compatible with B127A-010-H signal booster to extend the maximum transmission distance to 400 ft. (120m) from the source (sold separately, see tripplite.com)

B127A-1A0-FH

- Extends video resolutions up to 4K x 2K (3840 x 2160) @ 60 Hz (as specified in HDMI 2.0) to an HDMI monitor up to 230 ft. (70 m)
- Single-gang metal wall-plate receiver works with Tripp Lite B127A-Series transmitter, splitter and switch products (sold separately)
- HDCP 2.2, High Dynamic Range (HDR) and 4:4:4 color space compatible
- Plug and play—no software or drivers required
- Power over Cable (PoC) function provides power to the receiver from a connected B127A-Series transmitter, splitter or switch unit via Cat6 cable
- Includes real-time video compression and decompression technology

Product Features

- Compatible with B127A-010-H signal booster to extend the maximum transmission distance to 400 ft. (120m) from the source (sold separately, see triplite.com)

B127A-2A0-FH

- Extends video resolutions up to 4K x 2K (3840 x 2160) @ 60 Hz (as specified in HDMI 2.0) to an HDMI monitor up to 230 ft. (70 m)
- Dual-output single-gang metal wall-plate receiver works with Tripp Lite B127A-Series transmitter, splitter and switch products (sold separately)
- HDCP 2.2, High Dynamic Range (HDR) and 4:4:4 color space compatible
- Plug and play—no software or drivers required
- Power over Cable (PoC) function provides power to the receiver from a connected B127A-Series transmitter, splitter or switch unit via Cat6 cable
- Real-time video compression and decompression technology
- Compatible with B127A-010-H signal booster to extend the maximum transmission distance to 400 ft. (120m) from the source (sold separately, see triplite.com)

Disclaimer

Before installation, please check the following settings of your source(s) and TV/monitor(s):

- 1.** Set display to 60 Hz. Double-check factory settings, as default can be set to a lower frequency (Hz) than advertised.
- 2.** Ensure the input setting of your monitor is set at HDMI 2.0. Some displays may have default setting at HDMI 1.4.
- 3.** Verify your monitor has the HDR feature enabled. Some displays may have this feature disabled as a factory setting.
- 4.** Check if the Ultra HD (UHD) Deep Color setting is enabled on your TV/monitor. Confirm with your TV/monitor manufacturer which HDMI ports support UHD Deep Color.

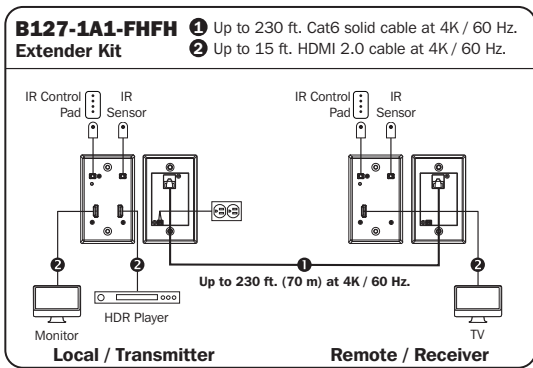
Note: *To connect a local monitor to your installation, the UHD Deep Color setting may need to be disabled on your local TV/monitor (depending on make/model) to achieve 4K 60 Hz resolution.*

Installation

B127A-1A1-FHFH Single-Output Extender Kit

Notes:

- Make sure all equipment in the installation—such as monitors, an HDMI notebook PC and the transmitter—is powered OFF.
- Test to ensure the entire installation works properly before pulling cables through ceilings/walls.
- To achieve maximum distance and performance, use 24 AWG solid wire Cat6 cable. Using stranded-wire Cat6 cable, or cable with a gauge (AWG) size higher than 24 AWG, will result in shorter extension distance. Higher gauge cabling, such as 26 AWG, has a more limited transmission capability than lower gauge cabling. All Tripp Lite N202-Series Cat6 cables are made with 24 AWG solid-wire cabling.
- External power is not required for remote receiver units due to Power-over-Cable (PoC) technology incorporated in the transmitter units.



Installation

1. Using an HDMI cable, connect the HDMI source to the INPUT port on the local transmitter unit.
2. **Optional:** Using an HDMI 2.0 cable (such as Tripp Lite P569-XXX-CERT or P568-XXX-2A Series cables), connect a local monitor to the LOCALOUT port on the B127A-1A1-FHFH local transmitter unit.
3. Using Cat6 cable, connect the RJ45 port on the local transmitter unit to the RJ45 port on the remote receiver unit.
Optional: For extended transmission distance, connect a B127A-010-H signal booster between the transmitter and receiver (sold separately, see triplite.com).
4. Using an HDMI 2.0 cable (such as Tripp Lite P569-XXX-CERT or P568-XXX-2A Series cables), connect the remote receiver unit's HDMI port to a monitor.
5. Turn the power on to your connected TVs/monitors.
6. Connect the external power supply to the local transmitter unit and plug it into an available wall outlet or (optional) a Tripp Lite Surge Protector, Power Distribution Unit (PDU) or Uninterruptible Power Supply (UPS). The POWER (green) LED on the local transmitter unit will illuminate to indicate the unit is receiving power from the external power supply. The DATA (green) LED on the remote receiver unit will illuminate to indicate the unit is receiving power from the local transmitter unit through PoC technology.
7. Turn on the power to the HDMI source. The DATA (green) LED on the local receiver unit will blink to indicate a signal is being received from the source.

Installation

Optional: Connect the included IR-OUT cable to the transmitter unit's IR-OUT port. Place the sensor on the IR-OUT cable in an unobstructed area within clear view of the device being controlled. Then connect the included IR-IN cable to the receiver unit's IR-IN port. The IR-IN cable will communicate the desired command via the transmitter's IR-OUT cable.

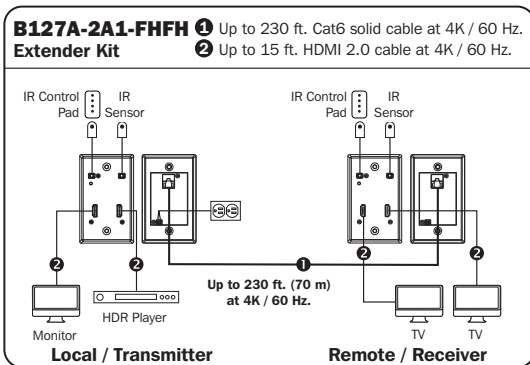
Note: *The IR-OUT cable receives the signal from the remote control and sends it to the device being controlled (e.g. Blu-ray™ player, etc.).*

Installation

B127A-2A1-FHFH Dual-Output Extender Kit

Notes:

- Make sure all equipment in the installation--such as monitors, an HDMI notebook PC and the transmitter--is powered OFF.
- Test to ensure the entire installation works properly before pulling cables through ceilings/walls.
- To achieve maximum distance and performance, use 24 AWG solid wire Cat6 cable. Using stranded-wire Cat6 cable, or cable with a gauge (AWG) size higher than 24 AWG, will result in shorter extension distance. Higher gauge cabling, such as 26 AWG, has a more limited transmission capability than lower gauge cabling. All Tripp Lite N202-Series Cat6 cables are made with 24 AWG solid-wire cabling.
- External power is not required for remote receiver units due to Power-over-Cable (PoC) technology incorporated in the transmitter units.



Installation

1. Using an HDMI cable, connect the HDMI source to the INPUT port on the local transmitter unit.
2. **Optional:** Using an HDMI 2.0 cable (such as Tripp Lite P569-XXX-CERT or P568-XXX-2A Series cables), connect a local monitor to the LOCALOUT port on the local transmitter unit.
3. Using Cat6 cable, connect the RJ45 port on the local transmitter unit to the RJ45 port on the remote receiver unit.
Optional: For extended transmission distance, connect a B127A-010-H signal booster between the transmitter and receiver (sold separately, see triplite.com).
4. Using an HDMI 2.0 cable (such as Tripp Lite P569-XXX-CERT or P568-XXX-2A Series cables), connect the remote receiver unit's HDMI port to the monitors.
5. Turn the power on to your connected TVs/monitors.
6. Connect the external power supply to the local transmitter unit and plug it into an available wall outlet or (optional) a Tripp Lite Surge Protector, Power Distribution Unit (PDU) or Uninterruptible Power Supply (UPS). The DATA (green) LED on the local transmitter unit will illuminate to indicate the unit is receiving power from the external power supply. The DATA (green) LED on the remote receiver unit will illuminate to indicate the unit is receiving power from the local transmitter unit through PoC technology.
7. Turn on the power to the HDMI source. The DATA (green) LED on the local receiver unit will blink to indicate a signal is being received from the source.

Installation

Optional: Connect the included IR-OUT cable to the transmitter unit's IR-OUT port. Place the sensor on the IR-OUT cable in an unobstructed area within clear view of the device being controlled. Then connect the included IR-IN cable to the receiver unit's IR-IN port. The IR-IN cable will communicate the desired command via the transmitter's IR-OUT cable.

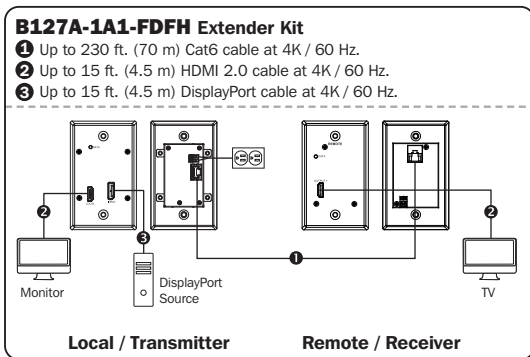
Note: *The IR-OUT cable receives the signal from the remote control and sends it to the device being controlled (e.g. Blu-ray™ player, etc.).*

Installation

B127A-1A1-FDFH Wall-Plate Extender Kit

Notes:

- Make sure all equipment in the installation--such as monitors, an HDMI notebook PC and the transmitter--is powered OFF.
- Test to ensure the entire installation works properly before pulling cables through ceilings/walls.
- To achieve maximum distance and performance, use 24 AWG solid wire Cat6 cable. Using stranded-wire Cat6 cable, or cable with a gauge (AWG) size higher than 24 AWG, will result in shorter extension distance. Higher gauge cabling, such as 26 AWG, has a more limited transmission capability than lower gauge cabling. All Tripp Lite N202-Series Cat6 cables are made with 24 AWG solid-wire cabling.
- External power is not required for remote receiver units due to Power-over-Cable (PoC) technology incorporated in the transmitter units.



Installation

1. Using a DisplayPort 1.2 cable (such as Tripp Lite P580-Series 4K/60 Hz DisplayPort cables), connect the DisplayPort source to the INPUT port on the local transmitter unit.
2. **Optional:** Using an HDMI 2.0 cable (such as Tripp Lite P569-XXX-CERT or P568-XXX-2A Series cables), connect a local monitor to the LOCALOUT port on the B127A-1A1-FDFH local transmitter unit.
3. Using Cat6 cable, connect the RJ45 port on the local transmitter unit to the RJ45 port on the remote receiver unit.
Optional: For extended transmission distance, connect a B127A-010-H signal booster between the transmitter and receiver (sold separately, see tripplite.com).
4. Using an HDMI 2.0 cable (such as Tripp Lite P569-XXX-CERT or P568-XXX-2A Series cables), connect the remote receiver unit's HDMI port to the monitors.
5. Turn the power on to your connected TVs/monitors.
6. Connect the external power supply to the local transmitter unit and plug it into an available wall outlet or (optional) a Tripp Lite Surge Protector, Power Distribution Unit (PDU) or Uninterruptible Power Supply (UPS). The DATA (green) LED on the local transmitter unit will illuminate to indicate the unit is receiving power from the external power supply. The DATA (green) LED on the remote receiver unit will illuminate to indicate the unit is receiving power from the local transmitter unit through PoC technology.

Installation

7. Turn on the power to the DisplayPort source. The DATA (green) LED on the local receiver unit will blink to indicate a signal is being received from the source.

Installation

B127A-1A1-BHFH Box Transmitter and Wall-Plate Receiver Extender Kit

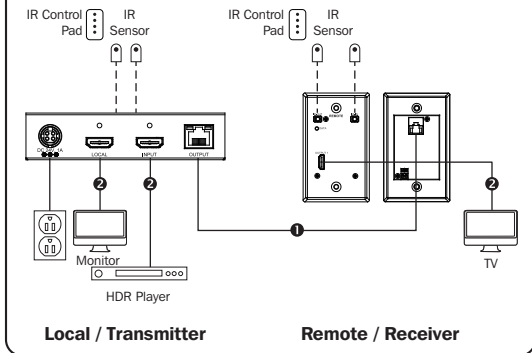
Notes:

- *Make sure all equipment in the installation--such as monitors, an HDMI notebook PC and the transmitter--is powered OFF.*
- *Test to ensure the entire installation works properly before pulling cables through ceilings/walls.*
- *To achieve maximum distance and performance, use 24 AWG solid wire Cat6 cable. Using stranded-wire Cat6 cable, or cable with a gauge (AWG) size higher than 24 AWG, will result in shorter extension distance. Higher gauge cabling, such as 26 AWG, has a more limited transmission capability than lower gauge cabling. All Tripp Lite N202-Series Cat6 cables are made with 24 AWG solid-wire cabling.*
- *External power is not required for remote receiver units due to Power-over-Cable (PoC) technology incorporated in the transmitter units.*

Installation

B127A-1A1-BHFH Extender Kit

- 1 Up to 230 ft. (70 m) Cat6 cable at 4K / 60 Hz.
- 2 Up to 15 ft. (4.5 m) HDMI 2.0 cable at 4K / 60 Hz.



1. Using an HDMI 2.0 cable, connect the HDMI source to the INPUT port on the local transmitter unit.
 2. Optional: Using an HDMI 2.0 cable (such as Tripp Lite P569-XXX-CERT or P568-XXX-2A Series cables), connect a local monitor to the LOCALOUT port on the B127A-1A1-BHFH local transmitter unit.
 3. Using Cat6 cable, connect the RJ45 port on the local transmitter unit to the RJ45 port on the remote receiver unit.
- Optional:** For extended transmission distance, connect a B127A-010-H signal booster between the transmitter and receiver (sold separately, see triplite.com).

Installation

4. Using an HDMI 2.0 cable (such as Tripp Lite P569-XXX-CERT or P568-XXX-2A Series cables), connect the remote receiver unit's HDMI port to a monitor.
5. Turn the power on to your connected TVs/monitors.
6. Connect the external power supply to the local transmitter unit and plug it into an available wall outlet or (optional) a Tripp Lite Surge Protector, Power Distribution Unit (PDU) or Uninterruptible Power Supply (UPS). The POWER (green) LED and RJ45 (green) LED on the local transmitter unit will illuminate to indicate the unit is receiving power from the external power supply. The DATA (green) LED on the remote receiver unit will illuminate to indicate the unit is receiving power from the local transmitter unit through PoC technology.
7. Turn on the power to the HDMI source.
8. The RJ45 (orange) LED will illuminate on the local transmitter unit and the DATA (green) LED on the remote receiver unit will blink to indicate a signal is being received from source to display. The screen should now display on the connected monitor.

Optional: Connect the included IR-OUT cable to the transmitter unit's IR-OUT port. Place the sensor on the IR-OUT cable in an unobstructed area within clear view of the device being controlled. Then connect the included IR-IN cable to the receiver unit's IR-IN port. The IR-IN cable will communicate the desired command via the transmitter's IR-OUT cable.

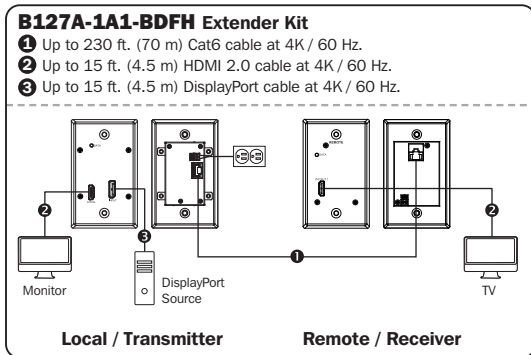
Note: *The IR-OUT cable receives the signal from the remote control and sends it to the device being controlled (e.g. Blu-ray™ player, etc.).*

Installation

B127A-1A1-BDFH Box Transmitter and Wall-Plate Receiver Extender

Notes:

- Make sure all equipment in the installation--such as monitors, an HDMI notebook PC and the transmitter--is powered OFF.
- Test to ensure the entire installation works properly before pulling cables through ceilings/walls.
- To achieve maximum distance and performance, use 24 AWG solid wire Cat6 cable. Using stranded-wire Cat6 cable, or cable with a gauge (AWG) size higher than 24 AWG, will result in shorter extension distance. Higher gauge cabling, such as 26 AWG, has a more limited transmission capability than lower gauge cabling. All Tripp Lite N202-Series Cat6 cables are made with 24 AWG solid-wire cabling.
- External power is not required for remote receiver units due to Power-over-Cable (PoC) technology incorporated in the transmitter units.



Installation

1. Using a DisplayPort 1.2 cable (such as Tripp Lite P580-Series cables), connect the DisplayPort source to the INPUT port on the local transmitter unit.
2. **Optional:** Using an HDMI 2.0 cable (such as Tripp Lite P569-XXX-CERT or P568-XXX-2A Series cables), connect a local monitor to the LOCALOUT port on the B127A-1A1-BDFH local transmitter unit.
3. Using Cat6 cable, connect the RJ45 port on the local transmitter unit to the RJ45 port on the remote receiver unit.
Optional: For extended transmission distance, connect a B127A-010-H signal booster between the transmitter and receiver (sold separately, see tripplite.com).
4. Using an HDMI 2.0 cable (such as Tripp Lite P569-XXX-CERT or P568-XXX-2A Series cables), connect the remote receiver unit's HDMI port to a monitor.
5. Turn the power on to your connected TVs/monitors.
6. Connect the external power supply to the local transmitter unit and plug it into an available wall outlet or (optional) a Tripp Lite Surge Protector, Power Distribution Unit (PDU) or Uninterruptible Power Supply (UPS). The POWER (green) LED and RJ45 (green) LED on the local transmitter unit will illuminate to indicate the unit is receiving power from the external power supply. The DATA (green) LED on the remote receiver unit will illuminate to indicate the unit is receiving power from the local transmitter unit through PoC technology.

Installation

7. Turn on the power to the DisplayPort source.
8. The RJ45 (orange) LED will illuminate on the local transmitter unit and the DATA (green) LED on the remote receiver unit will blink to indicate a signal is being received from source to display. The screen should now display on the connected monitor.

Optional: Connect the included IR-OUT cable to the transmitter unit's IR-OUT port. Place the sensor on the IR-OUT cable in an unobstructed area within clear view of the device being controlled. Then connect the included IR-IN cable to the receiver unit's IR-IN port. The IR-IN cable will communicate the desired command via the transmitter's IR-OUT cable.

Note: *The IR-OUT cable receives the signal from the remote control and sends it to the device being controlled (e.g. Blu-ray™ player, etc.).*

Installation

B127A-1A0-FH and B127A-2A0-FH Wall-Plate Receivers

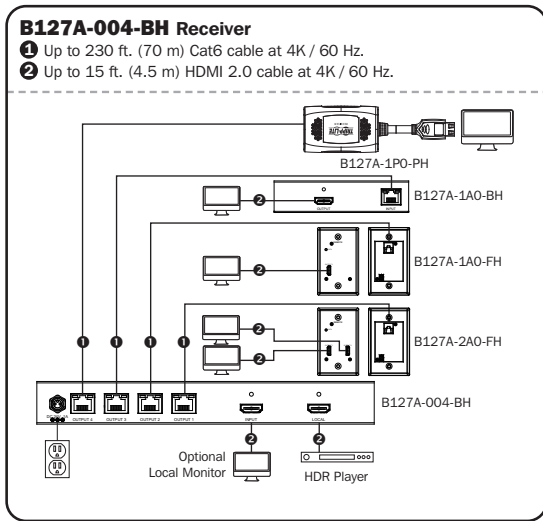
Notes:

- *Make sure all equipment in the installation--such as monitors, an HDMI notebook PC and the transmitter--is powered OFF.*
- *Test to ensure the entire installation works properly before pulling cables through ceilings/walls.*
- *To achieve maximum distance and performance, use 24 AWG solid wire Cat6 cable. Using stranded-wire Cat6 cable, or cable with a gauge (AWG) size higher than 24 AWG, will result in shorter extension distance. Higher gauge cabling, such as 26 AWG, has a more limited transmission capability than lower gauge cabling. All Tripp Lite N202-Series Cat6 cables are made with 24 AWG solid-wire cabling.*
- *External power is not required for remote receiver units due to Power-over-Cable (PoC) technology incorporated in the transmitter units.*
- *The diagram below shows a B127A-004-BH splitter unit with B127A-1A0-FH and B127A-2A0-FH receiver units to illustrate functionality with transmitter, splitter and switch units in the B127A-Series. See triplite.com for details.*

Installation

B127A-004-BH Receiver

- 1 Up to 230 ft. (70 m) Cat6 cable at 4K / 60 Hz.
- 2 Up to 15 ft. (4.5 m) HDMI 2.0 cable at 4K / 60 Hz.



See installation steps for previously mentioned extender kits for using these receivers in an installation.

Warranty and Product Registration

1-Year Limited Warranty

TRIPP LITE warrants its products to be free from defects in materials and workmanship for a period of one (1) year

from the date of initial purchase. TRIPP LITE's obligation under this warranty is limited to repairing or replacing (at its sole option) any such defective products. To obtain service under this warranty, you must obtain a Returned Material Authorization (RMA) number from TRIPP LITE or an authorized TRIPP LITE service center. Products must be returned to TRIPP LITE or an authorized TRIPP LITE service center with transportation charges prepaid and must be accompanied by a brief description of the problem encountered and proof of date and place of purchase. This warranty does not apply to equipment which has been damaged by accident, negligence or misapplication or has been altered or modified in any way.

EXCEPT AS PROVIDED HEREIN, TRIPP LITE MAKES NO WARRANTIES, EXPRESS OR IMPLIED, INCLUDING WARRANTIES OF MERCHANTABILITY AND FITNESS FOR A PARTICULAR PURPOSE. Some states do not permit limitation or exclusion of implied warranties; therefore, the aforesaid limitation(s) or exclusion(s) may not apply to the purchaser.

EXCEPT AS PROVIDED ABOVE, IN NO EVENT WILL TRIPP LITE BE LIABLE FOR DIRECT, INDIRECT, SPECIAL, INCIDENTAL OR CONSEQUENTIAL DAMAGES ARISING OUT OF THE USE OF THIS PRODUCT, EVEN IF ADVISED OF THE POSSIBILITY OF SUCH DAMAGE. Specifically, TRIPP LITE is not liable for any costs, such as lost profits or revenue, loss of equipment, loss of use of equipment, loss of software, loss of data, costs of substitutes, claims by third parties, or otherwise.

Warranty and Product Registration

PRODUCT REGISTRATION

Visit triplite.com/warranty today to register your new Tripp Lite product. You'll be automatically entered into a drawing for a chance to win a FREE Tripp Lite product!*

* No purchase necessary. Void where prohibited. Some restrictions apply. See website for details.

WEEE Compliance Information for Tripp Lite Customers and Recyclers (European Union)



Under the Waste Electrical and Electronic Equipment (WEEE) Directive and implementing regulations, when customers buy new electrical and electronic equipment from Tripp Lite they are entitled to:

- Send old equipment for recycling on a one-for-one, like-for-like basis (this varies depending on the country)
- Send the new equipment back for recycling when this ultimately becomes waste

Use of this equipment in life support applications where failure of this equipment can reasonably be expected to cause the failure of the life support equipment or to significantly affect its safety or effectiveness is not recommended.

Tripp Lite has a policy of continuous improvement. Specifications are subject to change without notice. Photos and illustrations may differ slightly from actual products.



Manufacturing
Excellence.

1111 W. 35th Street, Chicago, IL 60609 USA • triplite.com/support