

Owner's Manual

HDMI over Cat6 Splitter Kits, 4K/60 Hz

Splitter Models: B127A-002-BH, B127A-004-BH

Splitter and Receiver Kit Models:

B127A-002-BHPH2, B127A-004-BHPH3

Este manual está disponible en español en la página de Tripp Lite:
triplite.com

Ce manuel est disponible en français sur le site Web de Tripp Lite :
triplite.com

Русскоязычная версия настоящего руководства представлена на
веб-сайте компании Tripp Lite по адресу: triplite.com

Dieses Handbuch ist in deutscher Sprache auf der Tripp Lite-Website
verfügbar: triplite.com

WARRANTY REGISTRATION

Register your product today and be automatically entered to win
an ISOBAR® surge protector in our monthly drawing!

triplite.com/warranty



1111 W. 35th Street, Chicago, IL 60609 USA • triplite.com/support

Copyright © 2021 Tripp Lite. All rights reserved.

Package Contents

	External Power Supply	Mounting Hardware (Y/N)	HDMI Accessory Cable
B127A-002-BH	Y	Y	N
B127A-002-BHPH2	Y	Y	N
B127A-004-BH	Y	Y	Y
B127A-004-BHPH3	Y	Y	Y

Product Features

All

- Extend 4K audio and video signals up to 230 ft. away to an HDMI display
- Support video resolutions up to 4K x 2K (3840 x 2160) @ 60 Hz, as specified in HDMI 2.0, with 4:4:4 Chroma Subsampling
- Carry High Dynamic Range (HDR) signals for expanded color accuracy
- Comply with HDCP 2.2 standards
- Power over Cable (PoC) technology provides power from splitter to connected receiver units over Cat6 cabling
- Plug and play – no software or drivers required

Product Features

B127A-002-BH

- Extends and splits a 4K audio/video signal to two displays up to 230 ft. away over 24 AWG Cat6 cabling
- Compatible with Tripp Lite B127A-Series Receiver units such as B127A-1A0-FH or B127A-1A0-BH (sold separately)
- Supports true uncompressed 7.1-channel digital audio and Dolby TrueHD
- Multi-resolution support allows receiver units to be used on any display that supports 1080p, 4K/30 Hz or 4K/60 Hz without affecting the video resolution of the other connected receiver
- Included mounting hardware allows splitter unit to be wall-mounted, rack-mounted or pole-mounted

B127A-002-BPH2

- Extends and splits a 4K audio/video signal to two displays up to 230 ft. away over 24 AWG Cat6 cabling
- Kit includes two pigtail receivers that each support 4K/60 Hz video resolutions
- Compatible with Tripp Lite B127A-Series Receiver units such as B127A-1A0-FH or B127A-1A0-BH (sold separately)
- Supports true uncompressed 7.1-channel digital audio and Dolby TrueHD
- Multi-resolution support allows receiver units to be used on any display that supports 1080p, 4K/30 Hz or 4K/60 Hz without affecting the video resolution of the other connected receiver

Product Features

- Included mounting hardware allows splitter unit to be wall-mounted, rack-mounted or pole-mounted

B127A-004-BH

- Extends and splits a 4K audio/video signal to four displays up to 230 ft. away over 24 AWG Cat6 cabling
- Compatible with Tripp Lite B127A-Series Receiver units such as B127A-1A0-FH or B127A-1A0-BH (sold separately)
- Supports true uncompressed 7.1-channel digital audio and Dolby TrueHD
- Multi-resolution support allows receiver units to be used on any display that supports 1080p, 4K/30 Hz or 4K/60 Hz without affecting the video resolution of the other connected receiver
- Local HDMI port supports 4K/60 Hz video resolution to display the image being transmitted to connected displays
- Included mounting hardware allows splitter unit to be wall-mounted, rack-mounted or pole-mounted

B127A-004-BHPH3

- Extends and splits a 4K audio/video signal to four displays up to 230 ft. away over 24 AWG Cat6 cabling
- Kit includes three pigtail receivers that each support 4K/60 Hz video resolutions
- Compatible with Tripp Lite B127A-Series Receiver units such as B127A-1A0-FH or B127A-1A0-BH (sold separately)

Product Features

- Supports true uncompressed 7.1-channel digital audio and Dolby TrueHD
- Multi-resolution support allows receiver units to be used on any display that supports 1080p, 4K/30 Hz or 4K/60 Hz without affecting the video resolution of the other connected receiver
- Local HDMI port supports 4K/60 Hz video resolution to display the image being transmitted to connected displays
- Included mounting hardware allows splitter unit to be wall-mounted, rack-mounted or pole-mounted

Optional Accessories:

- N202-Series Cat6 24 AWG Solid Wire Patch Cables
- P569-XXX-CERT or P568-XXX-2A Series High-Speed HDMI 2.0 Cables
- B127A-010-H Signal Booster

Disclaimer

Before installation, please check the following settings of your source(s) and TV/monitor(s):

- 1.** Set display to 60 Hz. Double-check factory settings, as default can be set to a lower frequency (Hz) than advertised.
- 2.** Ensure the input setting of your monitor is set at HDMI 2.0. Some displays may have default setting at HDMI 1.4.
- 3.** Verify your monitor has the HDR feature enabled. Some displays may have this feature disabled as a factory setting.
- 4.** Check if the Ultra HD (UHD) Deep Color setting is enabled on your TV/monitor. Confirm with your TV/monitor manufacturer which HDMI ports support UHD Deep Color.

Note for B127A-004-BH and B127A-004-BPH3: *To connect a local monitor to your installation, the UHD Deep Color setting may need to be disabled on your local TV/monitor (depending on make) to achieve 4K @ 60 Hz resolution.*

Mounting Instructions

The B127A-002-BH, B127A-004-BH, B127A-002-BHPH2 and B127A-004-BHPH3 include mounting hardware that allows for a variety of mounting methods.

The following images illustrate how the included mounting brackets can be attached for different installations.

Note: The model shown in the below images is for illustrative purposes only. Your product may vary by model number, size or port orientation. The mounting options for all over IP units are the same.

Wall-Mount



19" Rack-Mount Pole-Mount



Installation

Standard Splitter Kit Installation (2-Port Models)

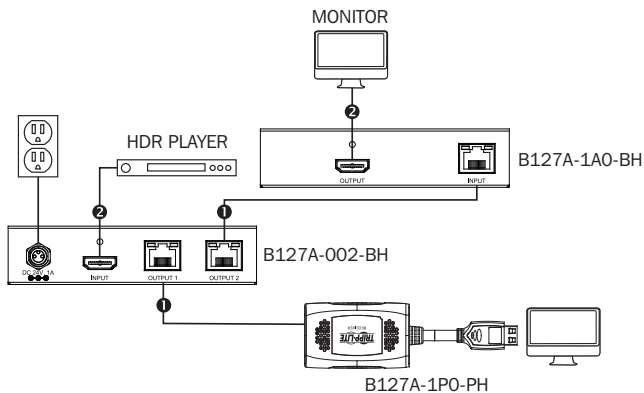
Notes:

- 1) Test to ensure the entire installation works properly before pulling cables through ceilings/walls.*
- 2) To achieve maximum distance and performance, use 24 AWG solid wire Cat6 cable. Using stranded wire Cat6 cable or cable with a gauge (AWG) size higher than 24 AWG will result in shorter extension distance. Higher gauge cabling, such as 26 AWG, has a more limited transmission capability than lower gauge cabling. All Tripp Lite N202-Series Cat6 cables are made with 24 AWG solid wire cabling.*
- 3) The first installation diagram shows a B127A-002-BHPH2 kit, which includes a B127A-002-BH splitter unit and two B127A-1P0-PH receiver units. The second diagram shows the B127A-002-BH splitter used with an included B127A-1P0-PH receiver and B127A-1A0-BH receiver sold separately at triplite.com.*
- 4) External power is not required for remote receiver units due to Power over Cable (PoC) technology incorporated in the transmitter units.*

Installation

B127A-002-BH

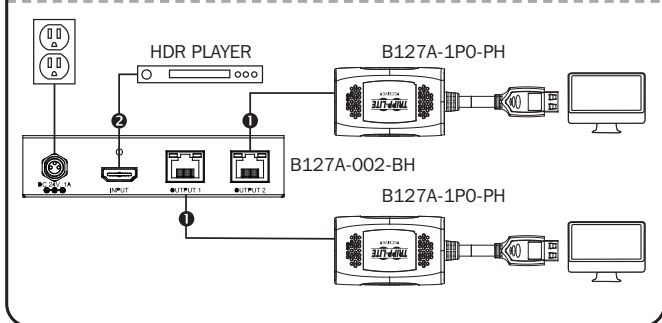
- 1 Up to 230 ft. (70 m) Cat6 cable at 4K/60 Hz
- 2 Up to 15 ft. (4.5 m) HDMI 2.0 cable at 4K/60 Hz



Installation

B127A-002-BHPH2

- 1 Up to 230 ft. (70 m) Cat6 cable at 4K/60 Hz
- 2 Up to 15 ft. (4.5 m) HDMI 2.0 cable at 4K/60 Hz



1. Make sure all equipment in the installation—such as TVs, Blu-ray™ players and the transmitter—is powered OFF.
2. Using an HDMI 2.0 cable (such as Tripp Lite P569-XXX-CERT or P568-XXX-2A Series cables), connect the HDMI source to the INPUT port on the local transmitter unit.
3. **Optional:** For extended range, connect up to two B127A-010-H signal repeater units to the splitter and each receiver via Cat6 cabling.
4. Using Cat6 cable (such as Tripp Lite N202-Series 24 AWG Cat6 Cabling), connect the RJ45 port on the local splitter unit to the RJ45 port on the remote receiver unit.

Installation

5. Using an HDMI 2.0 cable (such as Tripp Lite P569-XXX-CERT or P568-XXX-2A Series cables), connect the remote receiver unit's HDMI port to a monitor.
6. Turn on the power to your connected TVs/monitors. The LOCAL (orange) LED will illuminate to indicate the local port has been connected to a display.
7. Connect the external power supply to the splitter unit. Plug it into an available wall outlet or a Tripp Lite surge protector, power distribution unit (PDU) or uninterruptible power supply (UPS). The POWER (green) LED on the local splitter unit will illuminate to indicate the unit is receiving power from the external power supply. The POWER (green) LED on the remote receiver unit's RJ45 port will illuminate to indicate the unit is receiving power from the local transmitter unit through PoC technology.
8. Turn on the power to the HDMI source. The (orange) RJ45 LED will illuminate on both the local transmitter and remote receiver units to indicate a signal is being received from the source to display. The screen should now display on the connected monitor(s).

Installation

Standard Splitter Kit Installation (4-Port Models)

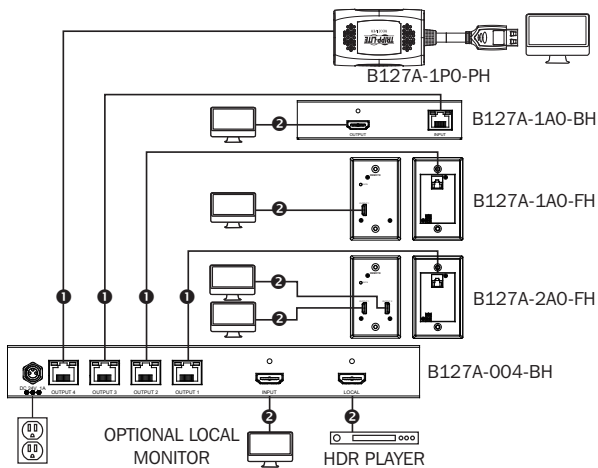
Notes:

- 1) Test to ensure the entire installation works properly before pulling cables through ceilings/walls.
- 2) To achieve maximum distance and performance, use 24 AWG solid wire Cat6 cable. Using stranded wire Cat6 cable or cable with a gauge (AWG) size higher than 24 AWG will result in shorter extension distance. Higher gauge cabling, such as 26 AWG, has a more limited transmission capability than lower gauge cabling. All Tripp Lite N202-Series Cat6 cables are made with 24 AWG solid wire cabling.
- 3) The first installation diagram shows a B127A-004-BHPPH3 kit, which includes a B127A-004-BH splitter unit and three B127A-1PO-PH receiver units. The second diagram shows a B127A-004-BH splitter unit with an included B127A-1PO-PH receiver and additional B127A-1A0-BH, B127A-1A0-FH and B127A-2A0-FH receiver units sold separately at triplite.com.
- 4) External power is not required for remote receiver units due to Power over Cable (PoC) technology incorporated in the transmitter units.

Installation

B127A-004-BH

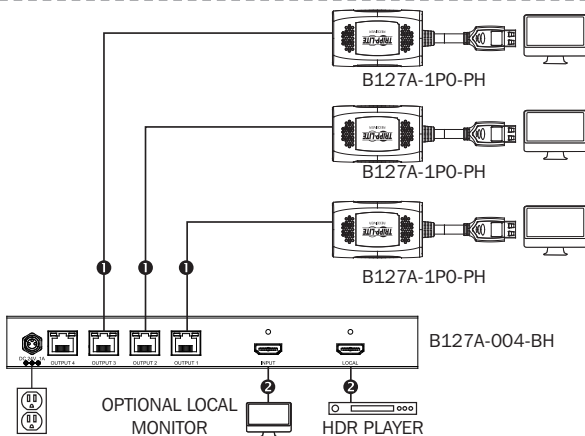
- 1 Up to 230 ft. (70 m) Cat6 cable at 4K/60 Hz
- 2 Up to 15 ft. (4.5 m) HDMI 2.0 cable at 4K/60 Hz



Installation

B127A-004-BHPH3

- 1 Up to 230 ft. (70 m) Cat6 cable at 4K/60 Hz
- 2 Up to 15 ft. (4.5 m) HDMI 2.0 cable at 4K/60 Hz



1. Make sure all equipment in the installation—such as TVs, Blu-ray™ players and the transmitter—is powered OFF.
2. Using an HDMI 2.0 cable (such as Tripp Lite P569-XXX-CERT or P568-XXX-2A Series cables), connect the HDMI source to the INPUT port on the local splitter unit.

Installation

- 3. Optional:** For extended range, connect up to four B127A-010-H signal repeater units between splitter and each receiver via Cat6 cabling.
- 4. Optional for B127A-004-BHPH3:** Using an HDMI 2.0 cable (such as Tripp Lite P569-XXX-CERT or P568-XXX-2A Series cables), connect a local monitor to the LOCALOUT port on the B127A-004-BHPH3 local splitter unit. The orange LOCAL LED will illuminate to indicate a display has been connected to the local port.
Note: The HDMI local display port only supports 4K/60Hz resolutions and will not work properly with lesser resolutions.
- 5.** Using Cat6 cable (such as Tripp Lite N202-Series 24 AWG Cat6 Cabling), connect the RJ45 port on the local splitter unit to the RJ45 port on the remote receiver unit.
- 6.** Using an HDMI 2.0 cable (such as Tripp Lite P569-XXX-CERT or P568-XXX-2A Series cables), connect the remote receiver unit's HDMI port to a monitor.
- 7.** Turn on the power to your connected TVs/monitors. The LOCAL (orange) LED will illuminate to indicate the local port has been connected to a display.

Installation

8. Connect the external power supply to the splitter unit. Plug it into an available wall outlet or a Tripp Lite surge protector, power distribution unit (PDU) or uninterruptible power supply (UPS). The POWER (green) LED on the local splitter unit will illuminate to indicate the unit is receiving power from the external power supply. The POWER (green) LED on the remote receiver unit's RJ45 port will illuminate to indicate the unit is receiving power from the local transmitter unit through PoC technology.
9. Turn on the power to the HDMI source. The orange RJ45 LED will illuminate on both the local transmitter and remote receiver units to indicate a signal is being received from the source to display. The screen should now display on the connected monitor(s).

Warranty and Product Registration

1-Year Limited Warranty

TRIPP LITE warrants its products to be free from defects in materials and workmanship for a period of one (1) year from the date of initial purchase.

TRIPP LITE's obligation under this warranty is limited to repairing or replacing (at its sole option) any such defective products. To obtain service under this warranty, you must obtain a Returned Material Authorization (RMA) number from TRIPP LITE or an authorized TRIPP LITE service center. Products must be returned to TRIPP LITE or an authorized TRIPP LITE service center with transportation charges prepaid and must be accompanied by a brief description of the problem encountered and proof of date and place of purchase. This warranty does not apply to equipment which has been damaged by accident, negligence or misapplication or has been altered or modified in any way.

EXCEPT AS PROVIDED HEREIN, TRIPP LITE MAKES NO WARRANTIES, EXPRESS OR IMPLIED, INCLUDING WARRANTIES OF MERCHANTABILITY AND FITNESS FOR A PARTICULAR PURPOSE. Some states do not permit limitation or exclusion of implied warranties; therefore, the aforesaid limitation(s) or exclusion(s) may not apply to the purchaser.

EXCEPT AS PROVIDED ABOVE, IN NO EVENT WILL TRIPP LITE BE LIABLE FOR DIRECT, INDIRECT, SPECIAL, INCIDENTAL OR CONSEQUENTIAL DAMAGES ARISING OUT OF THE USE OF THIS PRODUCT, EVEN IF ADVISED OF THE POSSIBILITY OF SUCH DAMAGE. Specifically, TRIPP LITE is not liable for any costs, such as lost profits or revenue, loss of equipment, loss of use of equipment, loss of software, loss of data, costs of substitutes, claims by third parties, or otherwise.

PRODUCT REGISTRATION

Visit triplite.com/warranty today to register your new Tripp Lite product. You'll be automatically entered into a drawing for a chance to win a FREE Tripp Lite product!*

* No purchase necessary. Void where prohibited. Some restrictions apply. See website for details.

Warranty and Product Registration

WEEE Compliance Information for Tripp Lite Customers and Recyclers (European Union)



Under the Waste Electrical and Electronic Equipment (WEEE) Directive and implementing regulations, when customers buy new electrical and electronic equipment from Tripp Lite they are entitled to:

- Send old equipment for recycling on a one-for-one, like-for-like basis (this varies depending on the country)
- Send the new equipment back for recycling when this ultimately becomes waste

WARNING

Use of this equipment in life support applications where failure of this equipment can reasonably be expected to cause the failure of the life support equipment or to significantly affect its safety or effectiveness is not recommended.

Tripp Lite has a policy of continuous improvement. Specifications are subject to change without notice. Photos and illustrations may differ slightly from actual products.



1111 W. 35th Street, Chicago, IL 60609 USA • triplite.com/support