



# Sarix® Value Series IR Environmental Turret Cameras Installation Manual



**Document number:** C6672M-A

**Publication date:** 05/21

## Table of Contents

Overview .....	3
Package Contents .....	3
POE Requirements .....	3
Physical Description .....	4
Outer View .....	4
Inner View .....	4
Mounting Options .....	5
Power Consumption .....	5
Installing the Hardware .....	6
Accessing the Camera .....	14
Supplemental Resources .....	15
Configuring the Password .....	15
Adjusting Pan, Tilt, and Rotation .....	16
Deploying the Camera on a Network .....	18
Using a PoE-enabled Switch .....	18
Using a Non-PoE Switch .....	18
Verifying the Installation .....	18
Connecting to the Internet Via a Router .....	19
Troubleshooting .....	20
Performing a Hardware Reset .....	20
Pelco Troubleshooting Contact Information .....	20

## Overview

Sarix Value ITV and IFV Series cameras are easy to install with a bubble less design saving time and money. The Sarix Value Series features excellent image quality with great low light performance, color fidelity and true wide dynamic range (WDR) for increased visibility in difficult lighting situations. And with built-in IR illumination, the camera can provide coverage even in total darkness.

With IP66 rated ingress protection, the Sarix Value ITV and IFV Series can be deployed in a variety of indoor and environmental settings.

## Package Contents

- IFV222-1ERS / IFV523-1ERS/ ITV529-1ERS
- Mount bracket
- Screws
- Waterproof cable housing
- T10 torx wrench
- Quick Installation Guide
- Alignment sticker

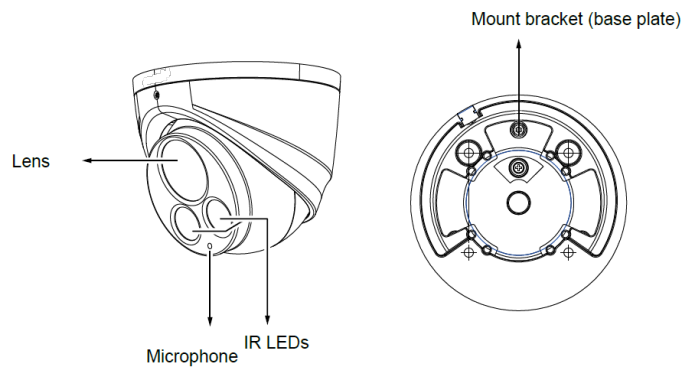
## POE Requirements

1. The camera is only to be connected to PoE networks without routing to outside plants.
2. For PoE connection, use only UL listed I.T.E. with PoE output.

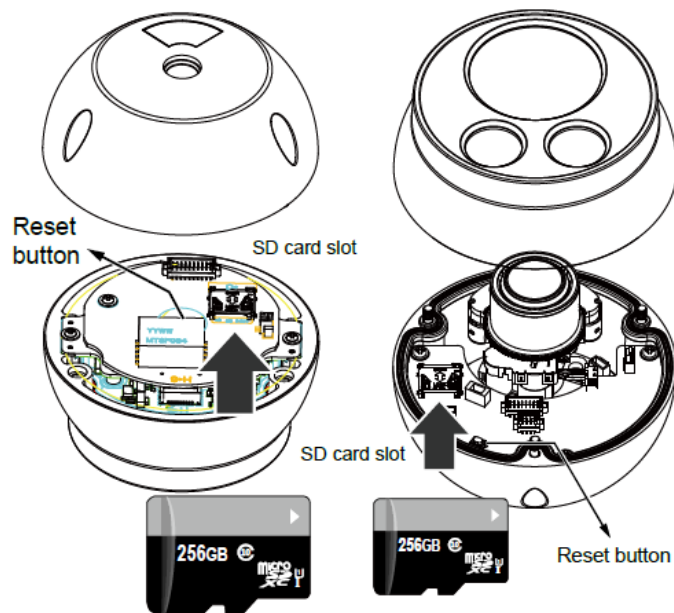
Use the camera only with a PoE source power supply that is UL listed, and limited power source (LPS) certified. The power supply should bear the UL listed and LPS marks. The power supply should also meet any safety and compliance requirements for the country of use.

## Physical Description

### Outer View



### Inner View

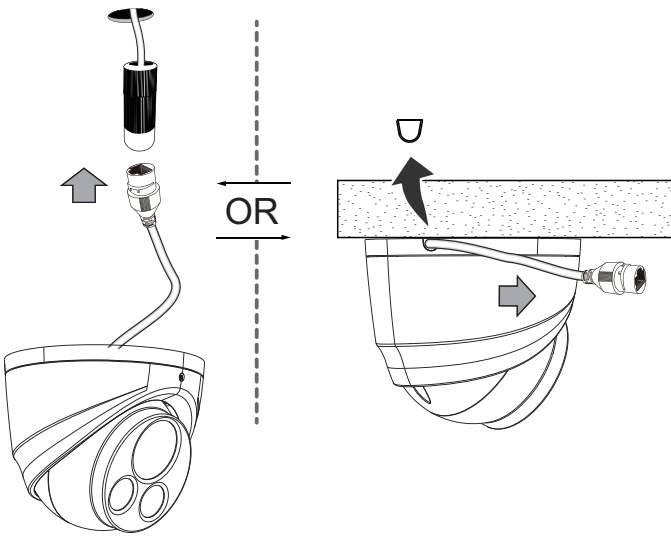


**⚠ Caution:** Use Ethernet cable that is compliant with 3P/ETL standard such as CAT5E or CAT6. Non-standard cabling products such as cooper coated aluminum (CCA) are not supported.



## Mounting Options

Mount the camera in a location that delivers the desired field of view.

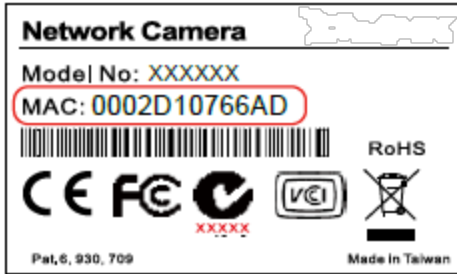


## Power Consumption

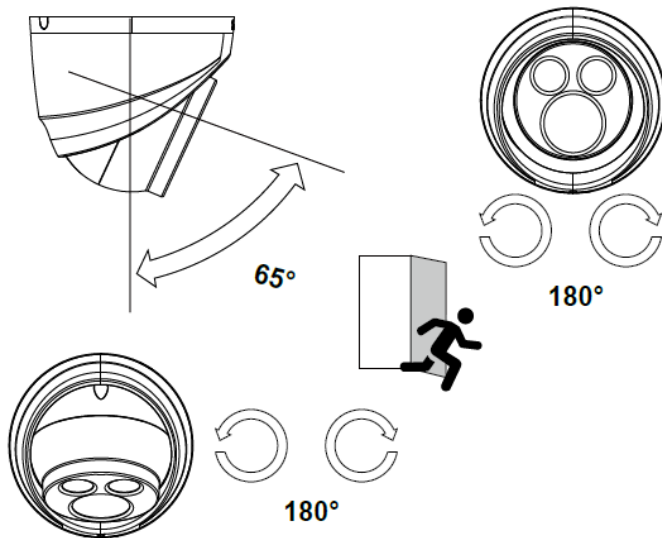
Consumption	Power Input
IR On	9 W
IF Off	8 W

## Installing the Hardware

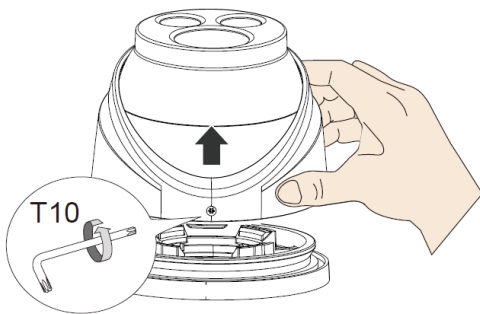
1. Write down the MAC address of the camera for later use.




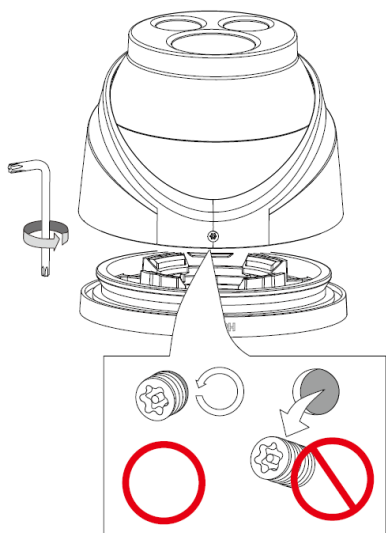
2. Tilt, pan, and rotation limitations:



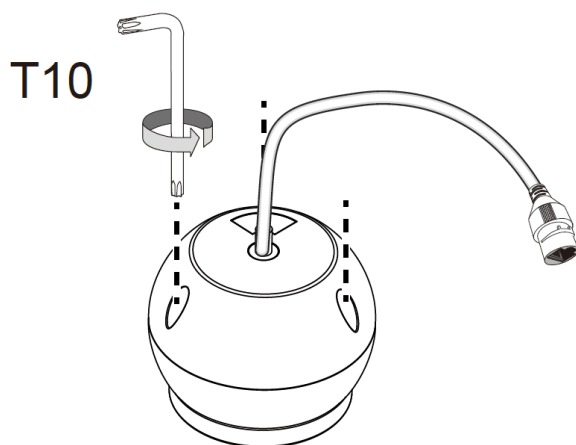
3. Remove the camera main body from the base plate by loosening the T10 screw with a T10 torx wrench.



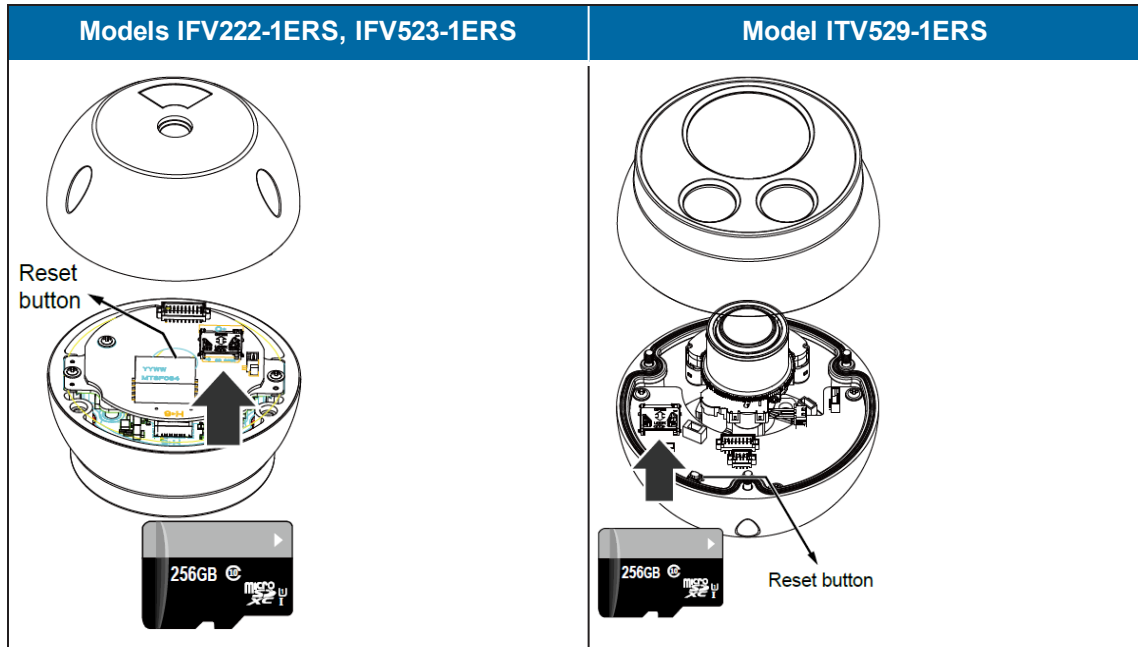
 **Note:** You do not need to completely remove the screw.



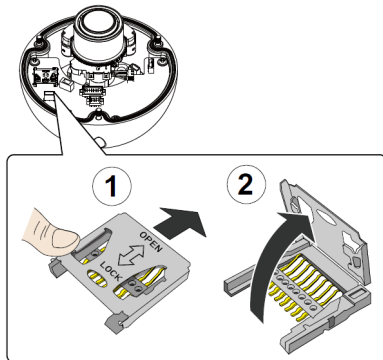
4. Loosen the three (3) screws on the main body.



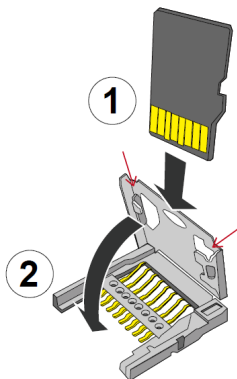
5. To use onboard storage, install a MicroSD card.




- a. Open the SD card socket lid by sliding it backward and flipping open the lid.

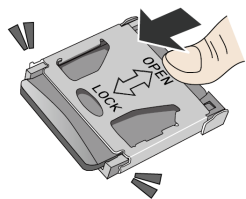


- b. Insert a MicroSD card into the socket on the lid, with the gold contacts facing down, and then close the lid.

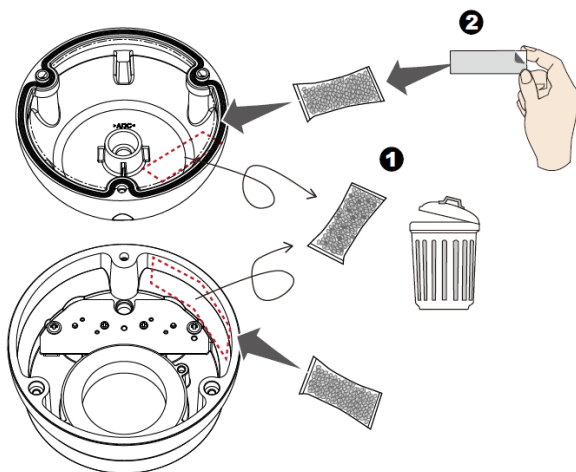


 **Note:** This network camera is compliant with SD/SDHC/SDXC 16GB / 8GB / 32GB / 64GB / 128GB / 256GB and other preceding standard SD cards.

- c. Slide the lid forward. A clicking sound will indicate that the lid and the card is secured in place.

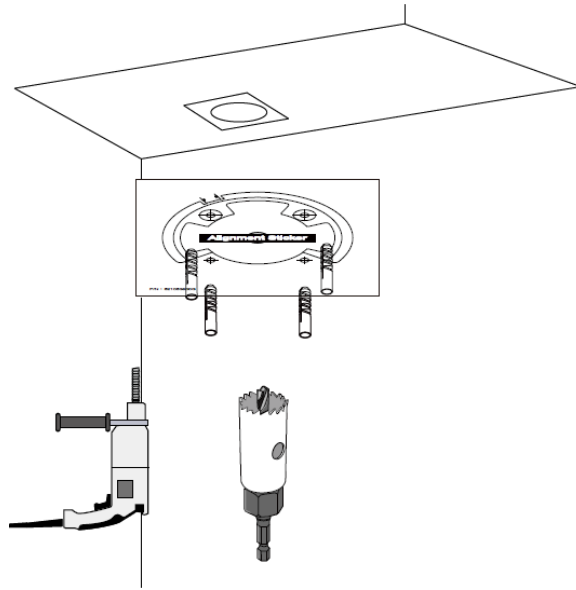


- 6. Replace the desiccant bag on the inside of the top cover.



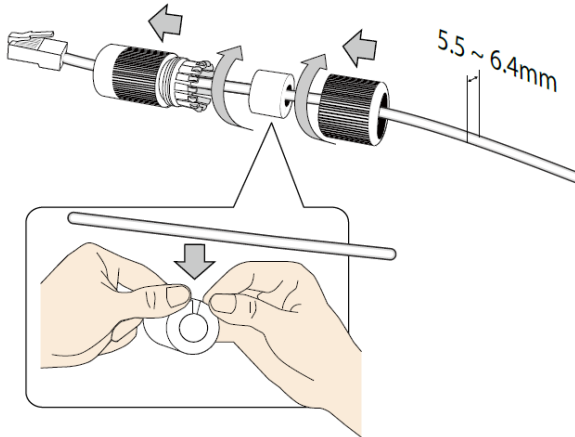
- 7. Replace the top cover of the camera and tighten the three T10 screws to secure the cover.
- 8. (Optional) To use mounting screws and a cabling hole:

- a. Use the included alignment sticker to drill holes for mounting screws and a cabling hole.

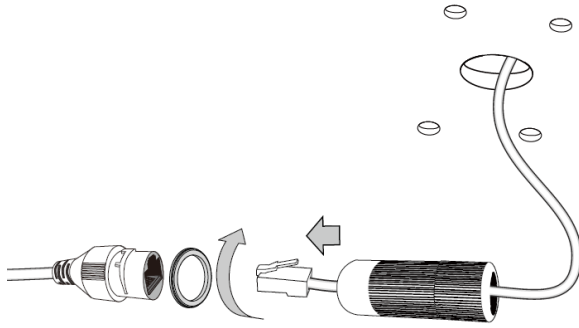


**Note:** If a cabling through hole is preferred, it must have a diameter larger than 25 mm.

- b. Pull a CAT5e Ethernet cable through the hole.
9. Disassemble the cable gland and install the waterproof seal components to the Ethernet cable.



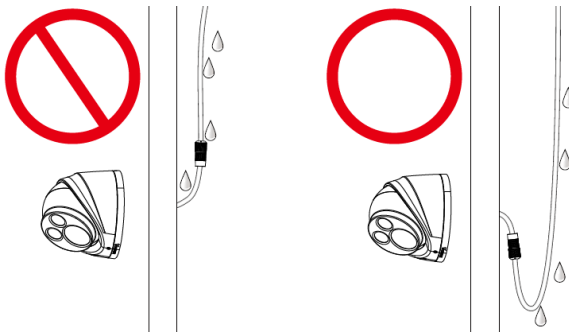
10. Connect the Ethernet cable to the camera's RJ45 female socket. Tighten the waterproof components. Ensure that they are properly installed to prevent moisture damage.



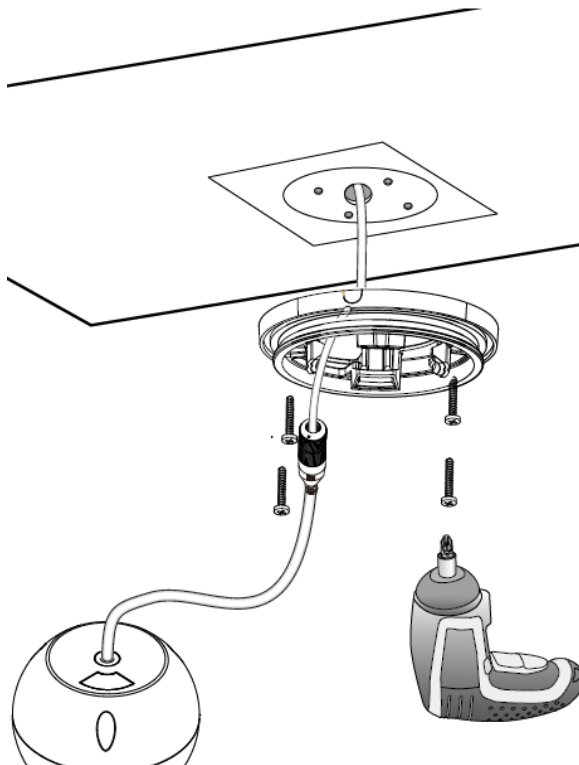
11. Form a drip loop on the back-end cable to ensure that no water gets to the camera.



**Caution:** If you do not form a drip loop, moisture can condense into water drops and run along the cable.

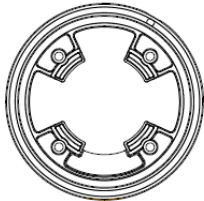
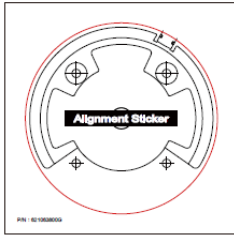


12. Fasten the camera to a wall or ceiling using the four (4) screws, included.

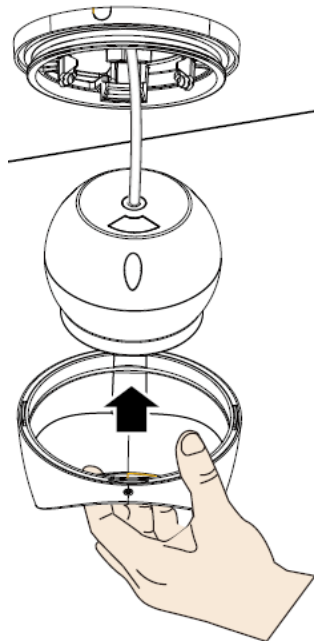
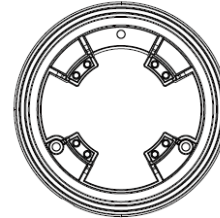
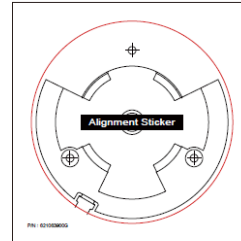


13. Use the alignment stickers to match the outer shroud of the camera with the main body.

Models IFV222-1ERS, IFV523-1ERS

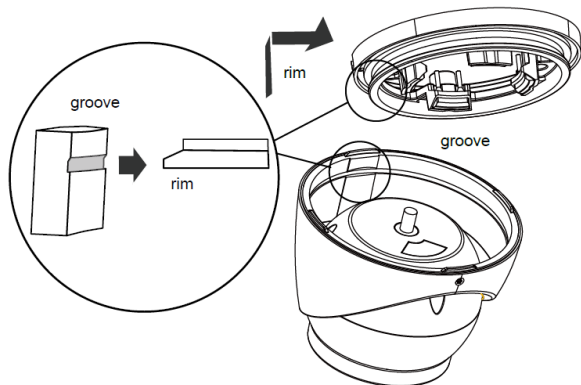


Model ITV529-1ERS



14. Install the camera to the base plate. To do so, match the groove on the outer shroud with the inner rim on the base plate.





15. Tighten the T10 retention screw.

## Accessing the Camera



**Note:** For security purposes, it is required that you create a user password when you access the camera for the first time.

- In its out-of-the-box configuration, the camera has a user name of "root" and no password assigned. In this state the camera does not allow for video to stream or configurations to change. It is required that you set an administrative user password at this time. Creation of an administrative user password changes the state of the camera to its "operational mode," where credentials must be provided in order to view live video or change its configuration.
- There is no provision for recovering a forgotten administrator user name or password. The camera can be restored to its out-of-the-box, no user name and password configuration by powering down, depressing the Factory Defaults button, and holding the button down for at least four seconds while power the camera back up.
- If a user name and password exists, a Login page is presented when the camera is accessed.

The recommended browsers for your camera are the latest version of Microsoft™ Edge™, Google Chrome™ browser, or Mozilla® Firefox®. For supported browser versions, refer to the specification sheet.

1. Discover the camera in VxToolbox.
2. Use the IP address of the discovered camera and enter it into a web browser.



**Note:** You can obtain your camera's IP address or access the camera using VxToolbox software. If DHCP is enabled but a DHCP server is not on the network, the camera automatically assigns itself both an IPv4 link local address (169.254.x.x, where the lower two octets are random) and a 192.168.0.20 address. Additional cameras will assign themselves different IPv4 link local addresses and the next available 192.168.0.x IP addresses in sequential order. For example, if three cameras are connected to a network without a DHCP server, the first camera to connect assigns itself the IP address 192.168.0.20, the second camera assigns itself 192.168.0.21, and the third camera assigns itself 192.168.0.22.

3. Using one of the recommended browsers, you will be prompted to create an admin password. The first (admin) user is hard coded as "root." and cannot be changed.
4. Commission the camera in VxToolbox and enter camera credentials.

## Supplemental Resources

All Sarix Value Series supplemental resources (e.g. firmware, documentation, VxToolbox, and Device Utility) are available in one location: [www.pelco.com/sarix-value](http://www.pelco.com/sarix-value).

## Configuring the Password

The first time you log in to the camera, the firmware will prompt you for a password. Protecting your camera with a password can deter most cyber attacks.

To configure the password:

1. Type in a combination of alphabetic and numeric characters to fulfill the password strength requirement. The default name for the camera administrator is “root”, and can not be changed.

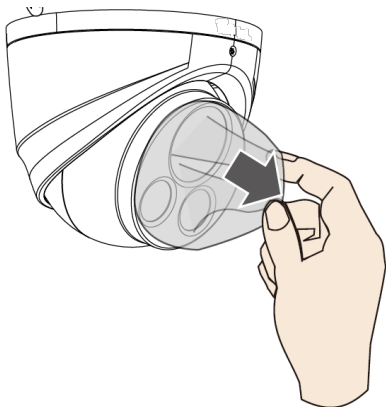


**Note:** Some, but not all, special ASCII characters are supported. Characters you can use in the password combination include: !, \$, %, -, ., @, ^, \_, and ~.


2. Click **Save**.
3. In the confirmation dialog box, type in the user name and password, and then click **OK**.

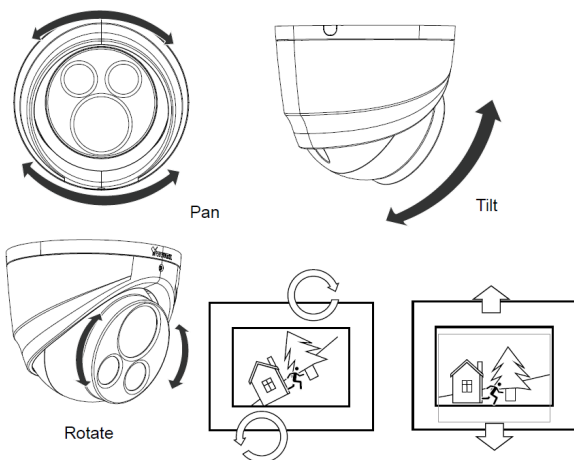
## Adjusting Pan, Tilt, and Rotation

1. Remove the protective sheet from the camera lens.

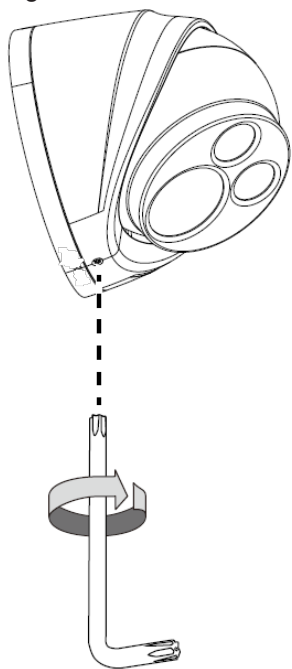


2. With a live view, pan, tilt, and/or rotate the camera to acquire an optimal field of view.

 **Note:** Pan the camera first. The cable might catch if you tilt the camera before you pan it. If this happens, tilt the camera back to its upright position, and try again.



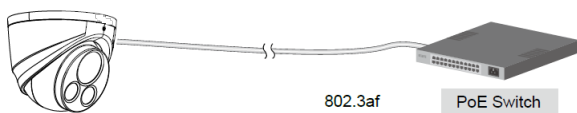
3. Tighten the retention screw on the camera.



## Deploying the Camera on a Network

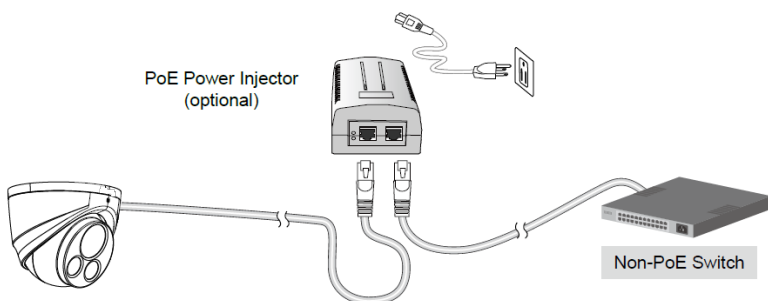
### Using a PoE-enabled Switch

The Network Camera is PoE-compliant, allowing transmission of power and data via a single Ethernet cable. Follow the below illustration to connect the Network Camera to a PoE-enabled switch via Ethernet cable.



### Using a Non-PoE Switch

Use a PoE power injector (optional) to connect between the Network Camera and a non-PoE switch.



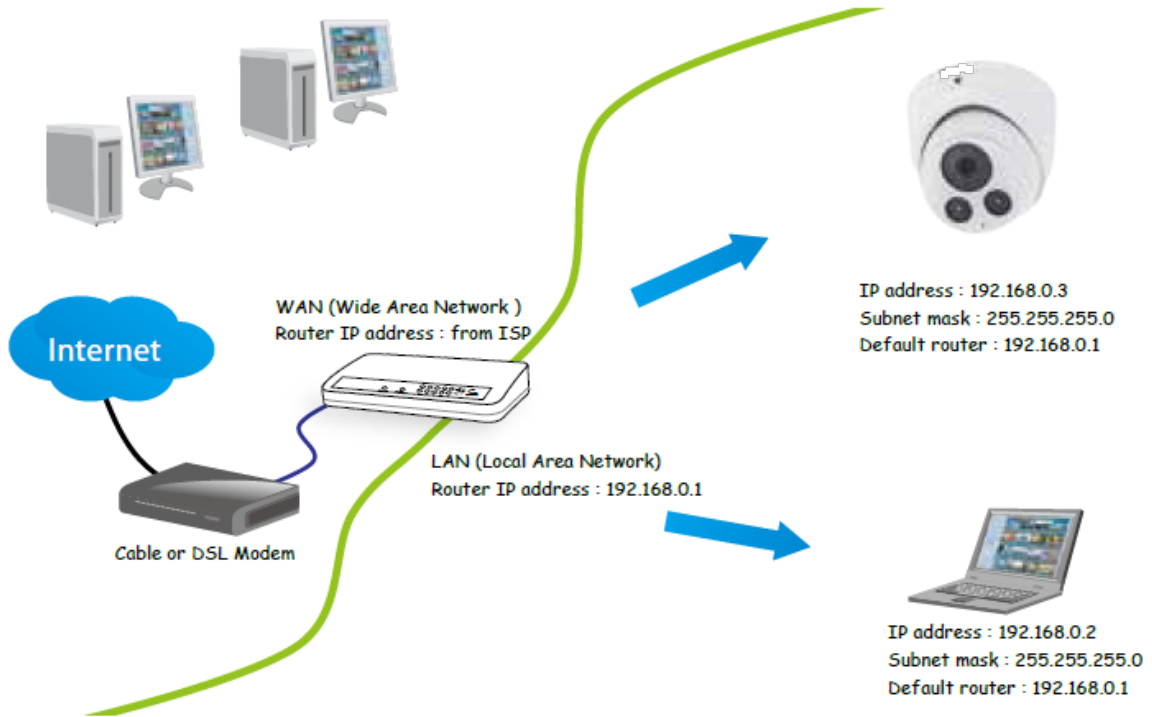
## Verifying the Installation

1. Using a supported browser, navigate to the network camera.
2. Verify that you can view live video from the camera.

## Connecting to the Internet Via a Router

Before setting up the Network Camera over the Internet, make sure you have a router and connect it as described in this section.

1. Connect your Network Camera behind a router, as shown below, using the correct IP addresses, subnet masks, and routers addresses for your installation. The IP addresses in the image are examples only.



2. If the Local Area Network (LAN) IP address of your Network Camera is 192.168.0.3, forward the following ports for the Network Camera on the router.
  - HTTP port: default is 80
  - RTSP port: default is 554
  - RTP port for video: default is 5556
  - RTCP port for video: default is 5557
3. If you have changed the port numbers on the Network page, open the ports accordingly on your router. For information on how to forward ports on the router, please refer to your router's user manual.
4. Find out the public IP address of your router provided by your ISP (Internet Service Provider). Use the public IP and the secondary HTTP port to access the Network Camera from the Internet. See the current *Sarix Value Series Operations Manual*, section titled *Configuring the Network General Settings*.
5. If you are required to do so, connect to the internet using a static IP for the Network Camera.
6. If you are connected to the Internet via a DSL line, connect to the internet using PPPoE (Point-to-Point over Ethernet).

- Configure the router, virtual server, or firewall so that the router can forward any data coming into a preconfigured port number to a network camera on the private network, and allow data from the camera to be transmitted to the outside of the network over the same path.

If, for example, the router and IP settings are as presented in this table:

Device	IP address: internal port	IP address: external port (mapped port on the router)
Public IP of router	122.146.57.120	N/A
LAN IP of router	192.168.2.1	N/A
Camera 1	192.168.2.10:80	122.146.57.120:8000
Camera 2	192.168.2.11:80	122.146.57.120:8001

Then:

- Camera 1 data is forwarded from 122.146.57.120:8000 to 192.168.2.10:80.
  - Camera 2 data is forwarded from 122.146.57.120:8001 to 192.168.2.11:80.
  - Access a camera behind the router using the HTTP request <http://122.146.57.120:8000>.
- If you change the port numbers on the Network configuration page, open the ports accordingly on your router.

For example, you can open a management session with your router to configure access through the router to the camera within your local network. Contact your network administrator for router configuration, if you need to troubleshoot.

For more information with network configuration options (such as that of streaming ports), see the current *Sarix Value Series Operations Manual*, section titled *Configuring the Network Settings*.

## Troubleshooting

### Performing a Hardware Reset

The reset button is used to reset the system or restore the factory default settings. Sometimes resetting the system can return the camera to normal operation. If system problems remain after performing a hardware reset, restore the camera to the factory settings and configure it again.

- To perform a Hardware Reset, press the recessed reset button, and then wait for the Network Camera to reboot.
- To Restore a camera to the factory settings, press and hold the reset button until the status LED rapidly blinks. When the settings are restored, the status LED will blink green and red during normal operation.



Caution: All settings will be restored to the factory default settings when you press and hold the reset button.

### Pelco Troubleshooting Contact Information

For further assistance, contact Pelco Product Support at 1-800-289-9100 (USA and Canada) or +1-559-292-1981 (international).

Do not try to repair the unit yourself. Leave maintenance and repairs to qualified technical personnel only.





Pelco, Inc.  
625 W. Alluvial Ave., Fresno, California 93711 United States  
(800) 289-9100 Tel  
(800) 289-9150 Fax  
+1 (559) 292-1981 International Tel  
+1 (559) 348-1120 International Fax  
[www.pelco.com](http://www.pelco.com)

Pelco, the Pelco logo, and other trademarks associated with Pelco products referred to in this publication are trademarks of Pelco, Inc. or its affiliates. ONVIF and the ONVIF logo are trademarks of ONVIF Inc. All other product names and services are the property of their respective companies. Product specifications and availability are subject to change without notice.

© Copyright 2021, Pelco, Inc. All rights reserved.