

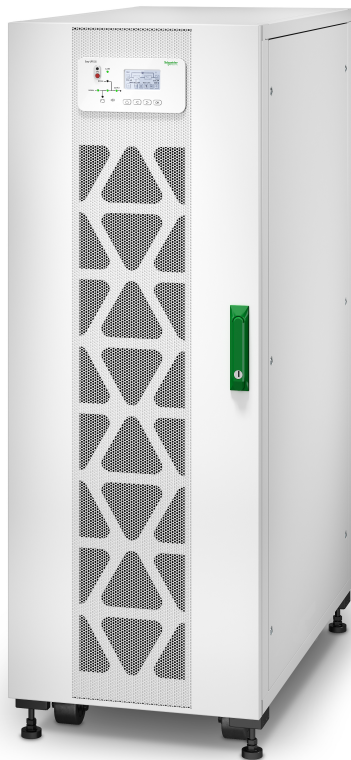
Easy UPS 3S with Internal Batteries

10-30 kVA 3:1

Installation

E3SUPS10K3IB, E3SUPS10K3IB1, E3SUPS10K3IB2, E3SUPS15K3IB, E3SUPS15K3IB1, E3SUPS15K3IB2, E3SUPS20K3IB, E3SUPS20K3IB1, E3SUPS20K3IB2, E3SUPS30K3IB, E3SUPS30K3IB1, E3SUPS30K3IB2

Latest updates are available on the Schneider Electric website
2/2023



Legal Information

The Schneider Electric brand and any trademarks of Schneider Electric SE and its subsidiaries referred to in this guide are the property of Schneider Electric SE or its subsidiaries. All other brands may be trademarks of their respective owners.

This guide and its content are protected under applicable copyright laws and furnished for informational use only. No part of this guide may be reproduced or transmitted in any form or by any means (electronic, mechanical, photocopying, recording, or otherwise), for any purpose, without the prior written permission of Schneider Electric.

Schneider Electric does not grant any right or license for commercial use of the guide or its content, except for a non-exclusive and personal license to consult it on an "as is" basis. Schneider Electric products and equipment should be installed, operated, serviced, and maintained only by qualified personnel.

As standards, specifications, and designs change from time to time, information contained in this guide may be subject to change without notice.

To the extent permitted by applicable law, no responsibility or liability is assumed by Schneider Electric and its subsidiaries for any errors or omissions in the informational content of this material or consequences arising out of or resulting from the use of the information contained herein.



Find the manuals here:
Trouvez les manuels ici:
在这里找到手册
Hier finden Sie die Handbücher:
Encuentre los manuales aquí:
Encontre os manuais aqui:



<https://www.productinfo.schneider-electric.com/easyups3s/>

Table of Contents

Important Safety Instructions — SAVE THESE	
INSTRUCTIONS	5
Electromagnetic Compatibility	6
Safety Precautions	6
Electrical Safety	8
Battery Safety	9
Specifications	11
Input Specifications	11
Bypass Specifications	11
Output Specifications	12
Battery Specifications	12
Required Upstream and Downstream Protection and Cable Sizes	12
Recommended Bolts and Cable Lugs	15
Torque Specifications	15
Weights and Dimensions	15
Shipping Weights and Dimensions	15
Clearance	16
Environmental	16
Overview	17
Overview of Single UPS	17
Overview of 1+1 Redundant Parallel System with Common Battery Bank	18
Overview of Parallel System	19
Receiving	21
Remove the UPS from the Pallet	21
Connect the Power Cables	24
Connect the Power Cables in the 10-15 kVA UPS	24
Connect the Power Cables in the 20 kVA UPS	26
Connect the Power Cables in the 30 kVA UPS	28
Communication Interfaces	30
Input Contacts and Output Relays	32
Connect the Signal Cables in Parallel Systems	33
Backfeed Protection	34
Install Batteries in the 400 V UPS	37
Installation Checklist	39
Appendix: Switch/Breaker Details	40

Important Safety Instructions — SAVE THESE INSTRUCTIONS

Read these instructions carefully and look at the equipment to become familiar with it before trying to install, operate, service or maintain it. The following safety messages may appear throughout this manual or on the equipment to warn of potential hazards or to call attention to information that clarifies or simplifies a procedure.



The addition of this symbol to a “Danger” or “Warning” safety message indicates that an electrical hazard exists which will result in personal injury if the instructions are not followed.



This is the safety alert symbol. It is used to alert you to potential personal injury hazards. Obey all safety messages with this symbol to avoid possible injury or death.

DANGER

DANGER indicates a hazardous situation which, if not avoided, **will result in death or serious injury.**

Failure to follow these instructions will result in death or serious injury.

WARNING

WARNING indicates a hazardous situation which, if not avoided, **could result in death or serious injury.**

Failure to follow these instructions can result in death, serious injury, or equipment damage.

CAUTION

CAUTION indicates a hazardous situation which, if not avoided, **could result in minor or moderate injury.**

Failure to follow these instructions can result in injury or equipment damage.

NOTICE

NOTICE is used to address practices not related to physical injury. The safety alert symbol shall not be used with this type of safety message.

Failure to follow these instructions can result in equipment damage.

Please Note

Electrical equipment should only be installed, operated, serviced, and maintained by qualified personnel. No responsibility is assumed by Schneider Electric for any consequences arising out of the use of this material.

A qualified person is one who has skills and knowledge related to the construction, installation, and operation of electrical equipment and has received safety training to recognize and avoid the hazards involved.

Electromagnetic Compatibility

NOTICE

RISK OF ELECTROMAGNETIC DISTURBANCE

This is a product Category C3 according to IEC 62040-2. This is a product for commercial and industrial applications in the second environment - installation restrictions or additional measures may be needed to prevent disturbances. The second environment includes all commercial, light industry, and industrial locations other than residential, commercial, and light industrial premises directly connected without intermediate transformer to a public low-voltage mains supply. The installation and cabling must follow the electromagnetic compatibility rules, e.g.:

- the segregation of cables,
- the use of shielded or special cables when relevant,
- the use of grounded metallic cable tray and supports.

Failure to follow these instructions can result in equipment damage.

Safety Precautions

⚠ DANGER

HAZARD OF ELECTRIC SHOCK, EXPLOSION, OR ARC FLASH

All safety instructions in this document must be read, understood and followed.

Failure to follow these instructions will result in death or serious injury.

⚠ DANGER

HAZARD OF ELECTRIC SHOCK, EXPLOSION, OR ARC FLASH

Read all instructions in the Installation Manual before installing or working on this UPS system.

Failure to follow these instructions will result in death or serious injury.

⚠ DANGER

HAZARD OF ELECTRIC SHOCK, EXPLOSION, OR ARC FLASH

Do not install the UPS system until all construction work has been completed and the installation room has been cleaned.

Failure to follow these instructions will result in death or serious injury.

⚠ DANGER

HAZARD OF ELECTRIC SHOCK, EXPLOSION, OR ARC FLASH

- The product must be installed according to the specifications and requirements as defined by Schneider Electric. It concerns in particular the external and internal protections (upstream breakers, battery breakers, cabling, etc.) and environmental requirements. No responsibility is assumed by Schneider Electric if these requirements are not respected.
- After the UPS system has been electrically wired, do not start up the system. Start-up must only be performed by Schneider Electric.

Failure to follow these instructions will result in death or serious injury.

⚠ DANGER

HAZARD OF ELECTRIC SHOCK, EXPLOSION, OR ARC FLASH

The UPS system must be installed according to local and national regulations. Install the UPS according to:

- IEC 60364 (including 60364-4-41 - protection against electric shock, 60364-4-42 - protection against thermal effect, and 60364-4-43 - protection against overcurrent), or
- NEC NFPA 70, or
- Canadian Electrical Code (C22.1, Part 1)

depending on which one of the standards apply in your local area.

Failure to follow these instructions will result in death or serious injury.

⚠ DANGER

HAZARD OF ELECTRIC SHOCK, EXPLOSION, OR ARC FLASH

- Install the UPS system in a temperature controlled indoor environment free of conductive contaminants and humidity.
- Install the UPS system on a non-flammable, level and solid surface (e.g. concrete) that can support the weight of the system.

Failure to follow these instructions will result in death or serious injury.

⚠ DANGER

HAZARD OF ELECTRIC SHOCK, EXPLOSION, OR ARC FLASH

The UPS is not designed for and must therefore not be installed in the following unusual operating environments:

- Damaging fumes
- Explosive mixtures of dust or gases, corrosive gases, or conductive or radiant heat from other sources
- Moisture, abrasive dust, steam or in an excessively damp environment
- Fungus, insects, vermin
- Salt-laden air or contaminated cooling refrigerant
- Pollution degree higher than 2 according to IEC 60664-1
- Exposure to abnormal vibrations, shocks, and tilting
- Exposure to direct sunlight, heat sources, or strong electromagnetic fields

Failure to follow these instructions will result in death or serious injury.

⚠ DANGER

HAZARD OF ELECTRIC SHOCK, EXPLOSION, OR ARC FLASH

Do not drill or cut holes for cables or conduits with the gland plates installed and do not drill or cut holes in close proximity to the UPS.

Failure to follow these instructions will result in death or serious injury.

⚠ WARNING

HAZARD OF ARC FLASH

Do not make mechanical changes to the product (including removal of cabinet parts or drilling/cutting of holes) that are not described in the Installation Manual.

Failure to follow these instructions can result in death, serious injury, or equipment damage.

NOTICE**RISK OF OVERHEATING**

Respect the space requirements around the UPS system and do not cover the product's ventilation openings when the UPS system is in operation.

Failure to follow these instructions can result in equipment damage.

NOTICE**RISK OF EQUIPMENT DAMAGE**

The UPS must use an external regenerative braking kit to dissipate energy when connected to regenerative loads including photovoltaic systems and speed drives.

Failure to follow these instructions can result in equipment damage.

Electrical Safety**⚠ DANGER****HAZARD OF ELECTRIC SHOCK, EXPLOSION OR ARC FLASH**

- Electrical equipment must be installed, operated, serviced, and maintained only by qualified personnel.
- The UPS system must be installed in a room with restricted access (qualified personnel only).
- Apply appropriate personal protective equipment (PPE) and follow safe electrical work practices.
- Turn off all power supplying the UPS system before working on or inside the equipment.
- Before working on the UPS system, check for hazardous voltage between all terminals including the protective earth.
- The UPS contains an internal energy source. Hazardous voltage can be present even when disconnected from the utility/mains supply. Before installing or servicing the UPS system, ensure that the units are OFF and that utility/mains and batteries are disconnected. Wait five minutes before opening the UPS to allow the capacitors to discharge.
- A disconnection device (e.g. disconnection circuit breaker or switch) must be installed to enable isolation of the system from upstream power sources in accordance with local regulations. This disconnection device must be easily accessible and visible.
- The UPS must be properly earthed/grounded and due to a high leakage current, the earthing/grounding conductor must be connected first.

Failure to follow these instructions will result in death or serious injury.

⚠ DANGER**HAZARD OF ELECTRIC SHOCK, EXPLOSION, OR ARC FLASH**

In systems where backfeed protection is not part of the standard design, an automatic isolation device (backfeed protection option or other device meeting the requirements of IEC/EN 62040-1 or UL1778 5th Edition – depending on which of the two standards apply to your local area) must be installed to prevent hazardous voltage or energy at the input terminals of the isolation device. The device must open within 15 seconds after the upstream power supply fails and must be rated according to the specifications.

Failure to follow these instructions will result in death or serious injury.

When the UPS input is connected through external isolators that, when opened, isolate the neutral or when the automatic backfeed isolation is provided external to the equipment or is connected to an IT power distribution system, a label must be fitted at the UPS input terminals, and on all primary power isolators installed remote from the UPS area and on external access points between such isolators and the UPS, by the user, displaying the following text (or equivalent in a language which is acceptable in the country in which the UPS system is installed):

⚠ DANGER

HAZARD OF ELECTRIC SHOCK, EXPLOSION, OR ARC FLASH

Risk of Voltage Backfeed. Before working on this circuit: Isolate the UPS and check for hazardous voltage between all terminals including the protective earth.

Failure to follow these instructions will result in death or serious injury.

Battery Safety

⚡⚠ DANGER

HAZARD OF ELECTRIC SHOCK, EXPLOSION, OR ARC FLASH

- Battery circuit breakers must be installed according to the specifications and requirements as defined by Schneider Electric.
- Servicing of batteries must only be performed or supervised by qualified personnel knowledgeable of batteries and the required precautions. Keep unqualified personnel away from batteries.
- Disconnect charging source prior to connecting or disconnecting battery terminals.
- Do not dispose of batteries in a fire as they can explode.
- Do not open, alter, or mutilate batteries. Released electrolyte is harmful to the skin and eyes. It may be toxic.

Failure to follow these instructions will result in death or serious injury.

⚡⚠ DANGER

HAZARD OF ELECTRIC SHOCK, EXPLOSION, OR ARC FLASH

Batteries can present a risk of electric shock and high short-circuit current. The following precautions must be observed when working on batteries

- Remove watches, rings, or other metal objects.
- Use tools with insulated handles.
- Wear protective glasses, gloves and boots.
- Do not lay tools or metal parts on top of batteries.
- Disconnect the charging source prior to connecting or disconnecting battery terminals.
- Determine if the battery is inadvertently grounded. If inadvertently grounded, remove source from ground. Contact with any part of a grounded battery can result in electric shock. The likelihood of such shock can be reduced if such grounds are removed during installation and maintenance (applicable to equipment and remote battery supplies not having a grounded supply circuit).

Failure to follow these instructions will result in death or serious injury.

⚡⚠ DANGER**HAZARD OF ELECTRIC SHOCK, EXPLOSION, OR ARC FLASH**

When replacing batteries, always replace with the same type and number of batteries or battery packs.

Failure to follow these instructions will result in death or serious injury.

⚠ CAUTION**RISK OF EQUIPMENT DAMAGE**

- Mount the batteries in the UPS system, but do not connect the batteries until the UPS system is ready to be powered up. The time duration from battery connection until the UPS system is powered up must not exceed 72 hours or 3 days.
- Batteries must not be stored more than six months due to the requirement of recharging. If the UPS system remains de-energized for a long period, we recommend that you energize the UPS system for a period of 24 hours at least once every month. This charges the batteries, thus avoiding irreversible damage.

Failure to follow these instructions can result in injury or equipment damage.

Specifications

Input Specifications

	10 kVA			15 kVA			20 kVA			30 kVA		
Voltage (V)	380	400	415	380	400	415	380	400	415	380	400	415
Connections	L1, L2, L3, N, PE											
Input voltage range (V)	304–477											
Frequency range (Hz)	45–65											
Nominal input current (A)	16	15	15	24	23	22	32	31	30	48	46	44
Maximum input current (A)	19	18	18	29	28	26	38	37	36	58	55	53
Input current limitation (A)	22	20	20	33	31	30	44	42	41	65	63	60
Total harmonic distortion (THDI)	<4% for 10 kVA UPS <5% for 15–30 kVA UPS											
Input power factor	> 0.99											
Maximum input shortcircuit withstand	I _{cc} =10 kA											
Protection	Circuit breaker and fuse									Fuse		
Ramp-in	15 seconds											

Bypass Specifications

	10 kVA			15 kVA			20 kVA			30 kVA		
Voltage (V)	220	230	240	220	230	240	220	230	240	220	230	240
Connections	L, N, PE											
Overload capacity	125% continuous 125–130% for 10 minutes 130–150% for 1 minute >150% for 300 milliseconds											
Minimum bypass voltage (V)	176	184	192	176	184	192	176	184	192	176	184	192
Maximum bypass voltage (V)	253	264	276	253	264	276	253	264	276	253	264	276
Frequency (Hz)	50 or 60											
Nominal bypass current (A)	46	43	42	69	66	63	91	87	84	137	131	125
Maximum input short circuit withstand	I _{cc} =10 kA											

Output Specifications

	10 kVA			15 kVA			20 kVA			30 kVA		
Voltage (V)	220	230	240	220	230	240	220	230	240	220	230	240
Connections	L, N, PE											
Overload capacity	110% for 60 minutes 125% for 10 minutes 150% for 1 minute >150% for less than 200 milliseconds											
Output voltage tolerance	± 1%											
Dynamic load response	40 milliseconds											
Output power factor	1.0						1.0 ¹					
Nominal output current (A)	46	43	42	69	66	63	91	87	84	137	131	125
Total harmonic distortion (THDU)	<1% at 100% balanced linear load <5.5% at 100% non-linear load											
Output frequency (Hz)	50 or 60											
Slew rate (Hz/sec)	Programmable: 0.1 to 5.0. Default is 2.0.											
Output performance classification (according to EN62040-3)	VFI-SS-111											

Battery Specifications

	10 kVA			15 kVA			20 kVA			30 kVA		
Charging power	Programmable from 1% to 20% of UPS capacity. Default is 10%.											
Maximum charging power (W)	2000			3000			4000			6000		
Nominal battery voltage (VDC)	± 240											
Nominal float voltage (VDC)	± 270											
End of discharge voltage (full load) (VDC)	± 198											
End of discharge voltage (no load) (VDC)	± 210											
Battery current at full load and nominal battery voltage (A)	22			33			44			66		
Battery current at full load and minimum battery voltage (A)	27			40			54			81		
Temperature compensation (per cell)	Programmable from 0–5 mV. Default is 3 mV.											
Ripple current	< 5% C10											

Required Upstream and Downstream Protection and Cable Sizes

NOTE: Overcurrent protection must be provided by others.

Cable sizes in this manual are based on table B.52.5 of IEC 60364-5-52 with the following assertions:

- 90 °C conductors
- An ambient temperature of 30 °C

1. When ambient temperature is below 30 °C. When the ambient temperature is above 30 °C, the power factor is 0.9.

- Use of copper conductors
- Installation method C
- PE size is based on table 54.2 of IEC 60364-5-54
- Specific to AC cables: Maximum length 70 m with a line voltage drop <3% installed on perforated cable trays, XLPE-type insulation, single layer trefoil formation, THDI between 15% and 33% , 35 °C at 400 V grouped in four touching cables
- Specific to DC cables: Maximum length 15 m with a line voltage drop <1%

NOTE: If neutral conductor is expected to carry a high current, due to line-neutral non-linear load, the circuit breaker must be rated according to expected neutral current.

NOTE: If the ambient temperature is greater than 30 °C, large conductors are to be used in accordance with the correction factors of the IEC.

10 kVA UPS

	Breaker type	Cable size per phase (mm ²)	PE cable size (mm ²)
Input – single mains Input – dual mains	iC65H-C-50A / C60H-C-50A iC65H-C-20A / C60H-C-20A	16 6	16 6
Bypass	iC65H-C-50A / C60H-C-50A	16	16
Output	C65N-B-2P-25A/ C60N-B-2P-25A	16	16

15 kVA UPS

	Breaker type	Cable size per phase (mm ²)	PE cable size (mm ²)
Input – single mains Input – dual mains	C120H-C-80A / NSX100F TM80C 80A iC65H-C-32A / C60H-C-32A	25 6	16 6
Bypass	C120H-C-80A / NSX100F TM80C 80A	25	16
Output	C65N-B-2P-25A/ C60N-B-2P-25A	25	16

20 kVA UPS

	Breaker type	Cable size per phase (mm ²)	PE cable size (mm ²)
Input – single mains Input – dual mains	C120H-C-100A / NSX100F TM100C 100A iC65H-C-40A / C60H-C-40A	35 10	16 10
Bypass	C120H-C-100A / NSX100F TM100C 100A	35	16
Output	C65N-B-2P-32A/ C60N-B-2P-32A	35	16

30 kVA UPS

	Breaker type	Cable size per phase (mm ²)	PE cable size (mm ²)
Input – single mains Input – dual mains	Compact NSX160F TM160C 160A iC65H-C-63A / C60H-C-63A / C120H-C-63A	50 16	25 16
Bypass	Compact NSX160F TM160C 160A	50	25
Output	C65N-B-2P-50A/ C60N-B-2P-50A	50	25

NOTE:

- These protection device ensures discrimination for each of the Easy 3S output circuits.
- If the recommended downstream protection is not installed and a short-circuit occurs, the result may be a break longer than 50 ms on all the other output circuits.
- The recommended output branch breakers are for reference only. Whether to include the output branch breakers in your circuit depends on your use cases.

Recommended Bolts and Cable Lugs

Cable Size (mm ²)	Bolt Size	Cable Lug Type	Note
6	M5	KST TLK6-5	If the recommended lug type is not available, use a local M5 lug type as a substitute.
8	M5	KST RNBS8-5	
10	M6	KST TLK10-6	If the recommended lug type is not available, use a local M6 lug type as a substitute.
16	M6	KST TLK16-6	
25	M6	KST DRNB6-25	
35	M6	KST TLK35-6	If the recommended lug type is not available, use a local M8 lug type as a substitute.
50	M8	KST TLK50-8	

Torque Specifications

Bolt Size	Torque
M5	4 Nm
M6	5 Nm
M8	12 Nm

Weights and Dimensions

UPS	Weight kg	Height mm	Width mm	Depth mm
10 kVA 3:1 UPS with internal batteries	130 ²	1400	380	907
15 kVA 3:1 UPS with internal batteries	130 ²	1400	380	907
20 kVA 3:1 UPS with internal batteries	150 ²	1400	380	907
30 kVA 3:1 UPS with internal batteries	185 ²	1400	500	996
Battery	27	157	107	760

Shipping Weights and Dimensions

UPS	Weight kg	Height mm	Width mm	Depth mm
10 kVA 3:1 UPS with internal batteries	145 ²	1640	563	1014
15 kVA 3:1 UPS with internal batteries	145 ²	1640	563	1014
20 kVA 3:1 UPS with internal batteries	158 ²	1640	563	1014
30 kVA 3:1 UPS with internal batteries	185 ²	1640	683	1114
Battery	28	180	140	820

2. Weight without batteries.

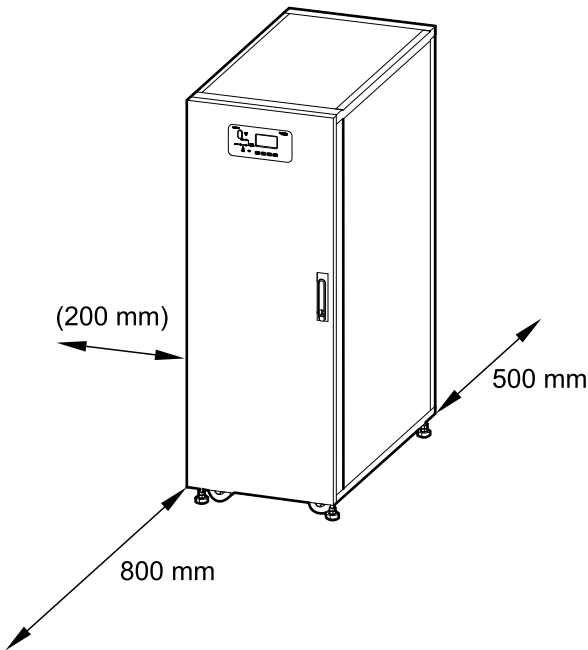
Clearance

NOTE: Clearance dimensions are published for airflow and service access only. Consult with the local safety codes and standards for additional requirements in your local area.

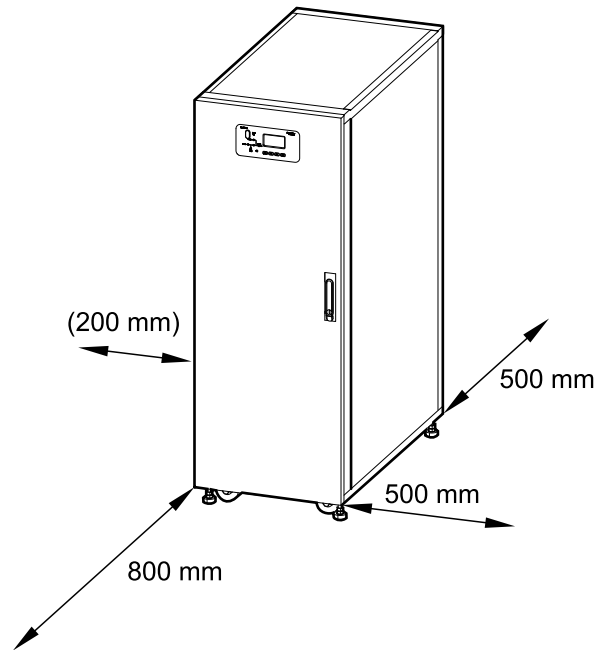
NOTE: If the UPS is installed without side access (Option A*), the length of the cables connected to the UPS must allow for rolling out the UPS.

Clearance for UPS with Internal Batteries

Option A*



Option B



NOTE: 200 mm left side clearance is required when the UPS is placed next to a wall to allow the front door to open properly.

Environmental

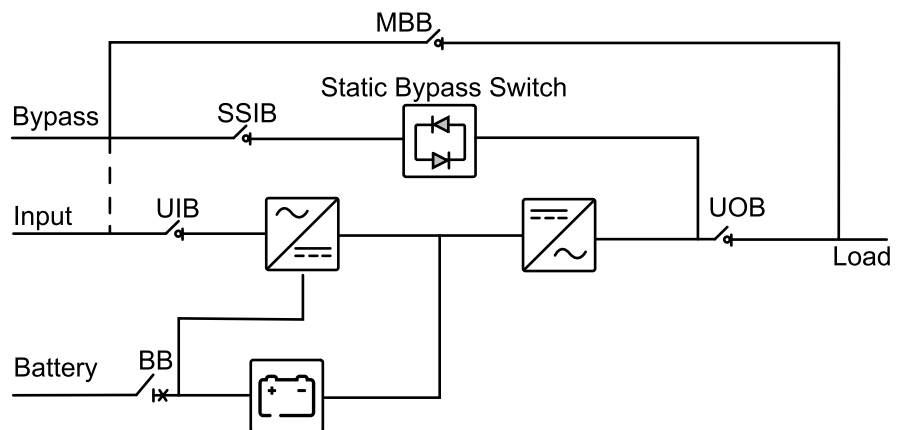
	Operation	Storage
Temperature	0 °C to 40 °C 20 °C to 25 °C (optimal operation temperature for batteries)	-15 °C to 40 °C for systems with batteries -25 °C to 55 °C for systems without batteries
Relative humidity	0–95% non-condensing	
Elevation derating according to IEC 62040–3	1000 m: 1.000 1500 m: 0.975 2000 m: 0.950	< 15000 m above sea level (or in an environment with equivalent air pressure)
Audible noise	10–20 kVA 400 V: <60 dBA at full load 30–40 kVA 400 V: <63 dBA at full load 10–20 kVA 208 V: <63 dBA at full load	
Protection class	IP20 (dust filter as standard)	
Color	RAL 9003	

Overview

Overview of Single UPS

UIB	Unit input breaker/switch
SSIB	Static switch input breaker/switch
UOB	Unit output breaker/switch
MBB	Maintenance bypass breaker/switch
BB	Battery breaker/switch

NOTE: Refer to Appendix: Switch/Breaker Details, page 40 for the disconnecting device type.



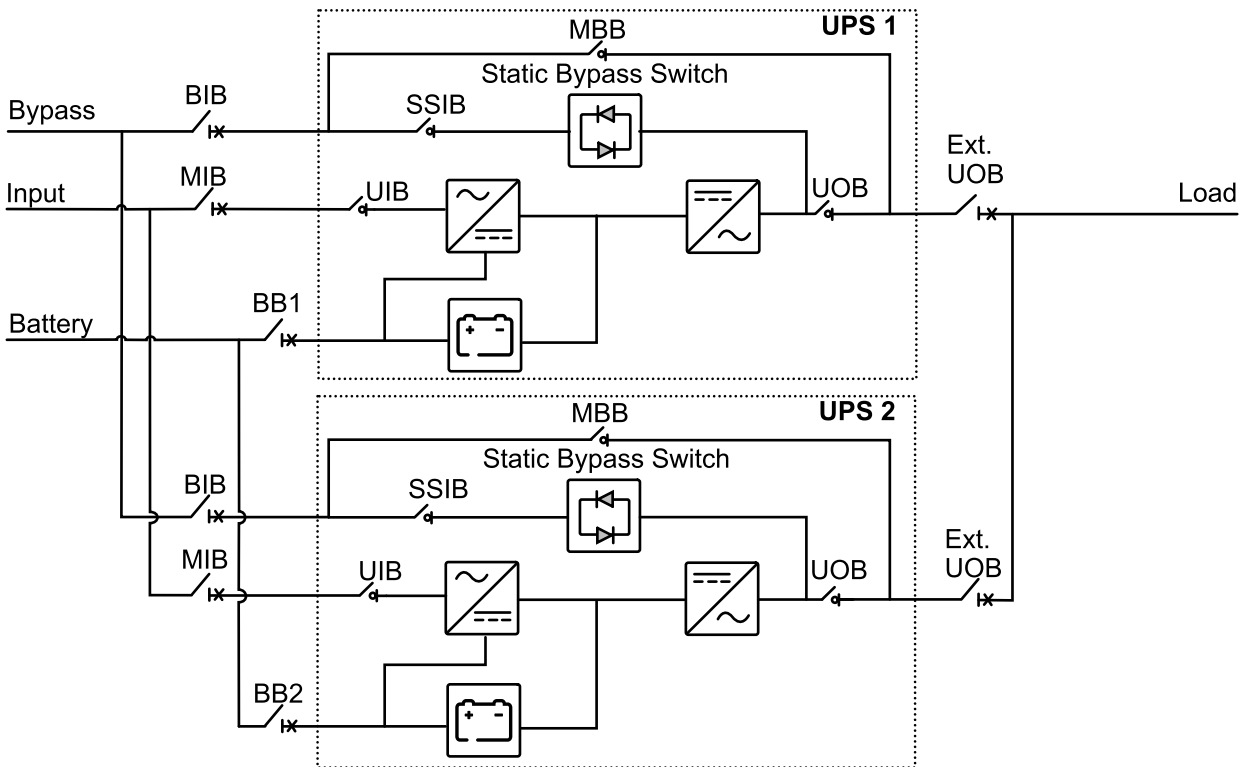
Overview of 1+1 Redundant Parallel System with Common Battery Bank

MIB	Mains input breaker/switch
BIB	Bypass input breaker/switch
UIB	Unit input breaker/switch
SSIB	Static switch input breaker/switch
UOB	Unit output breaker/switch
Ext. UOB	External unit output breaker/switch
MBB	Maintenance bypass breaker/switch
Ext. MBB	External maintenance bypass breaker/switch
BB1	Battery breaker/switch 1
BB2	Battery breaker/switch 2

NOTE: Refer to Appendix: Switch/Breaker Details, page 40 for the disconnecting device type.

NOTE: For UPS with internal batteries, the batteries must be removed and the internal battery breaker (BB) must be padlocked in the open (OFF) position.

NOTE: Common battery banks are not supported in systems with internal batteries.



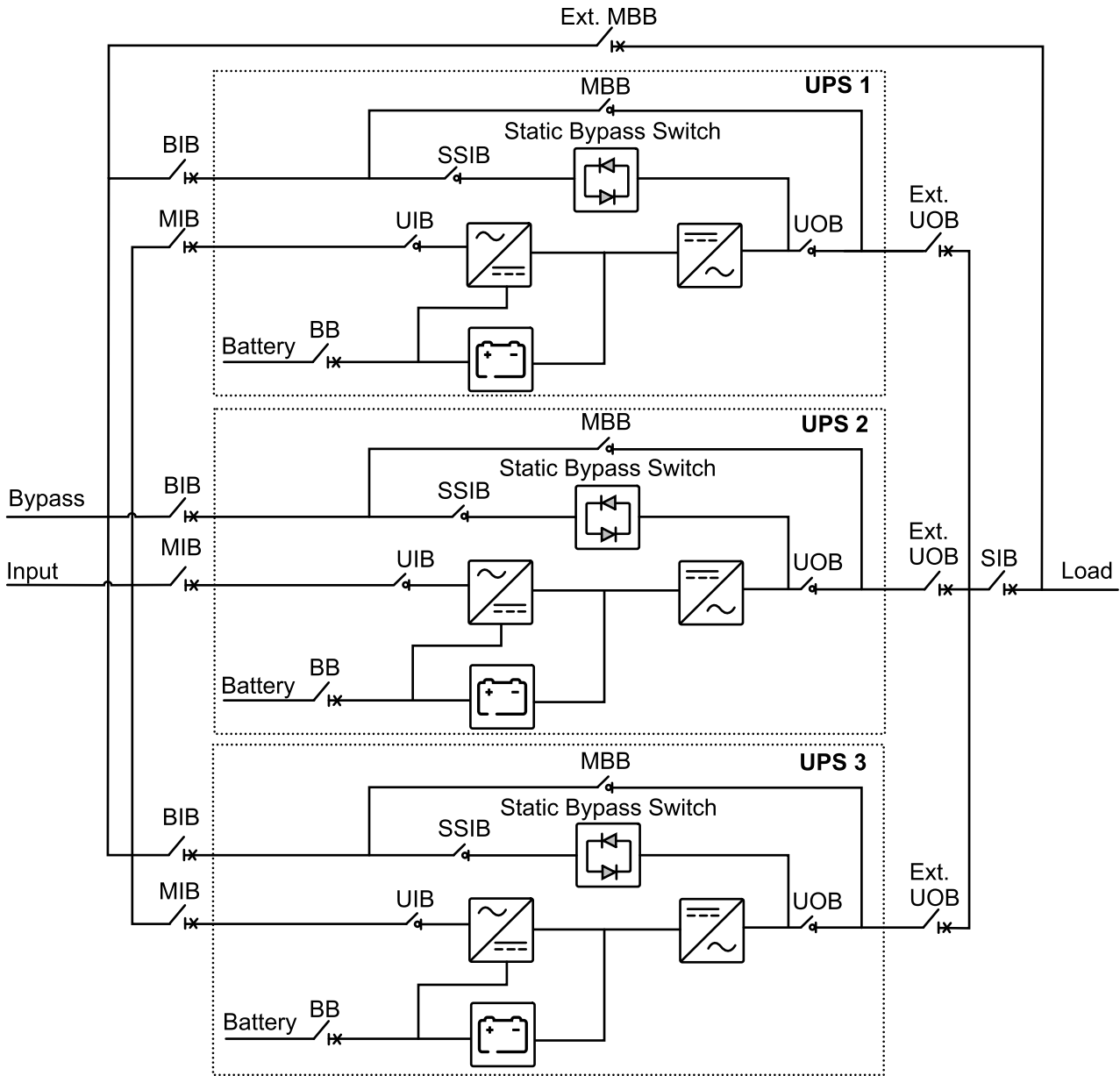
Overview of Parallel System

MIB	Mains input breaker/switch
BIB	Bypass input breaker/switch
UIB	Unit input breaker/switch Unit input switch
SSIB	Static switch input breaker/switch Static switch input switch
UOB	Unit output breaker/switch Unit output switch
Ext. UOB	External unit output breaker/switch
MBB	Maintenance bypass breaker/ switch Maintenance bypass switch
Ext. MBB	External maintenance bypass breaker/switch
SIB	System isolation breaker/switch
BB	Battery breaker/switch

NOTE: Refer to Appendix: Switch/Breaker Details, page 40 for the disconnecting device type.

NOTE: In parallel systems with an external maintenance bypass breaker Ext. MBB, the maintenance bypass breakers/switches MBB must be padlocked in the open (OFF) position.

UPSs for Internal Batteries



Receiving

External Inspection

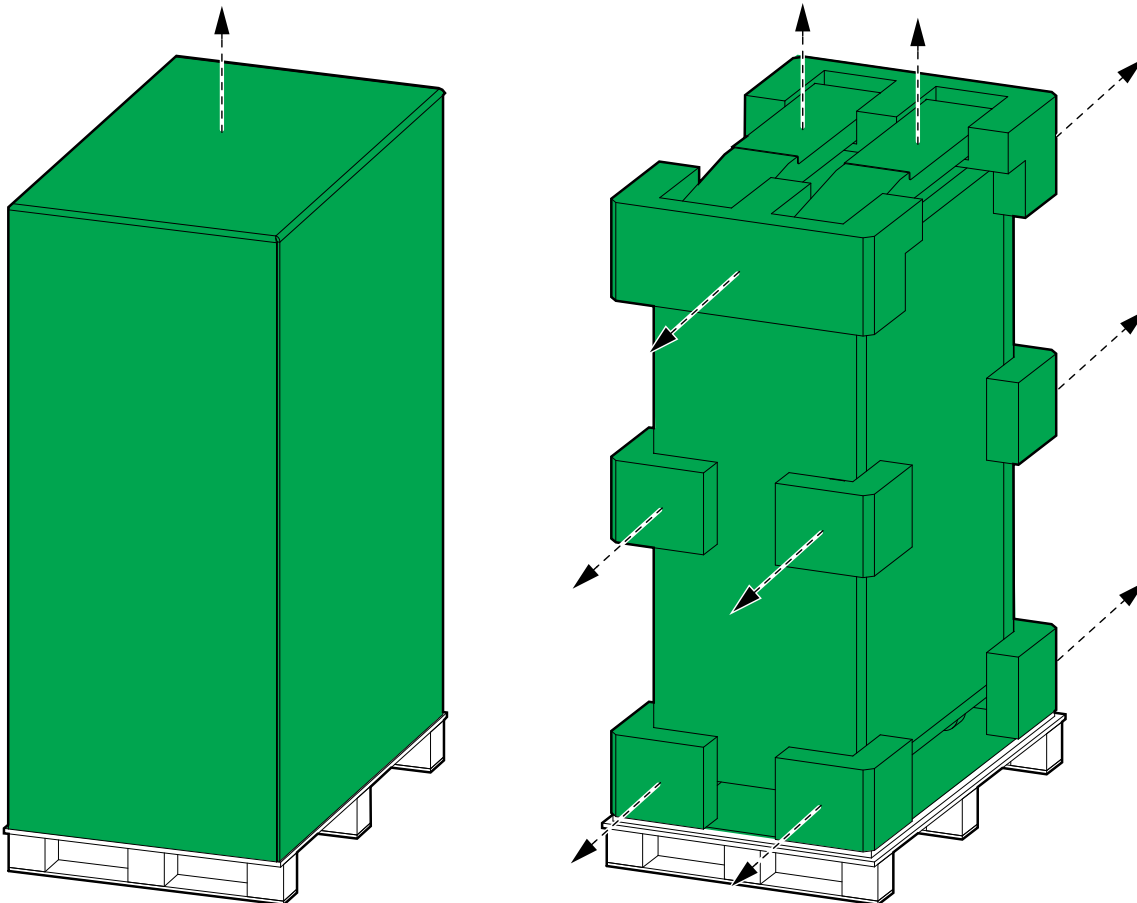
When the shipment arrives, inspect the shipping material for any signs of damage or mishandling. Do not attempt to install the system if a damage is apparent. If any damage is noted, contact Schneider Electric and file a damage claim with the shipping agency within 24 hours.

Compare the components of the shipment with the bill of lading. Report any missing items to the carrier and to Schneider Electric immediately.

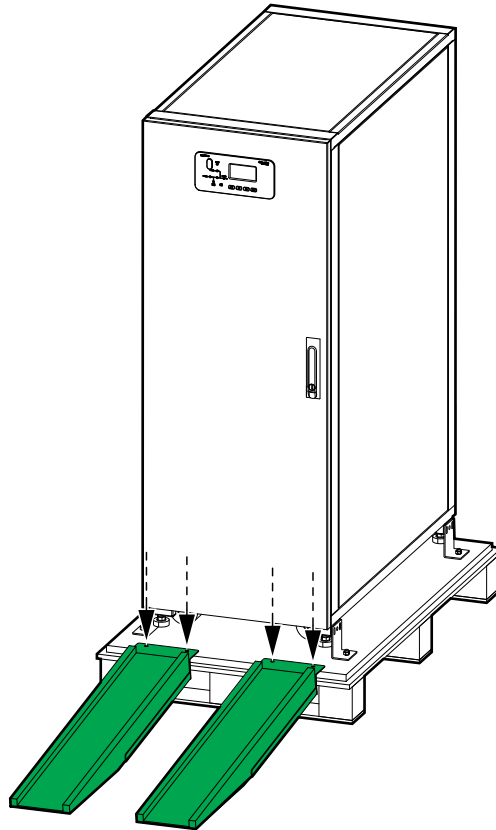
Verify that labelled units match the order confirmation.

Remove the UPS from the Pallet

1. Move the UPS to the final installation area using a forklift.
2. Remove the shipping materials and the ramp from the UPS.



3. Place the ramp on the pallet and fasten with the provided bolts.

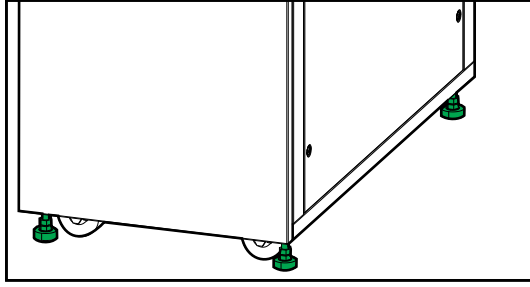


4. Loosen the bolts and remove the shipping brackets. Dispose of the shipping brackets.



5. Roll the UPS down from the pallet.

6. Move the UPS to its final location and use a wrench to lower the levelling feet. Ensure that the cabinet is level.

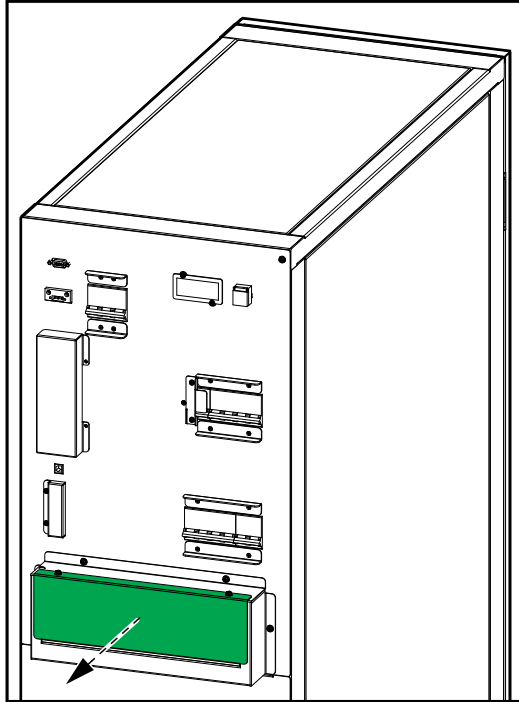


Connect the Power Cables

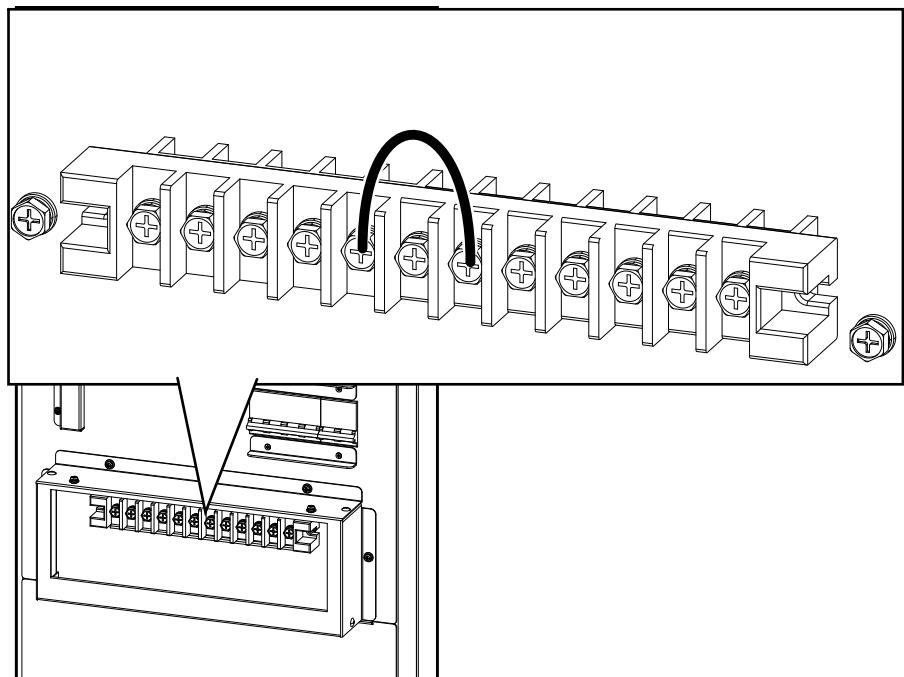
Connect the Power Cables in the 10-15 kVA UPS

1. Ensure that all breakers are in the OFF (open) position.
2. Remove the conduit box cover.

Rear View

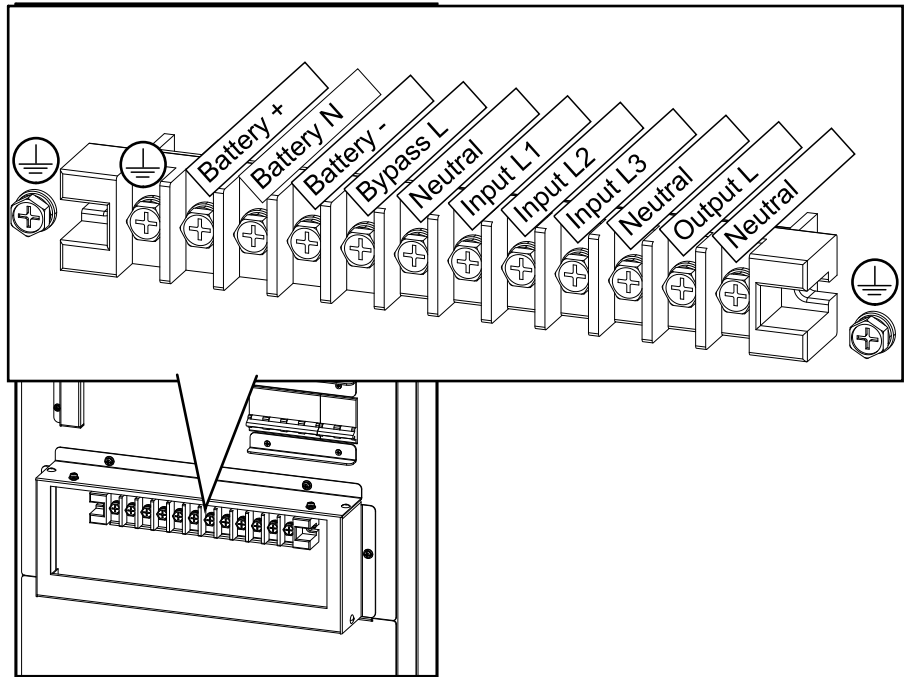


3. In dual mains systems, remove the single mains cable.



4. Route the power cables through the bottom of the conduit box.

5. Connect the PE cable to the PE terminal.



6. Connect the input cables, output cables, and bypass cables (if applicable).
7. Connect the battery cables if the UPS should have external batteries for extended runtime.

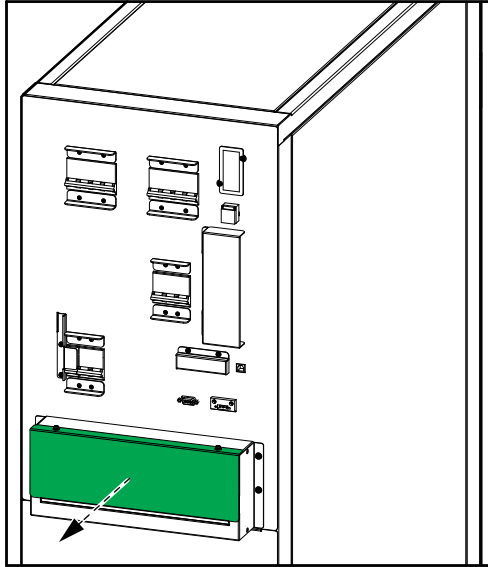
NOTE: Ensure that the type and number of blocks are the same as the internal batteries.

8. Reinstall the conduit box cover.

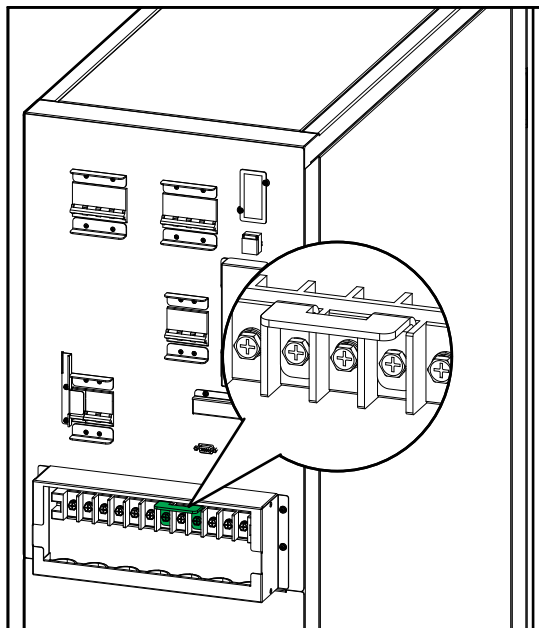
Connect the Power Cables in the 20 kVA UPS

1. Ensure that all breakers are in the OFF (open) position.
2. Remove the conduit box cover.

Rear View

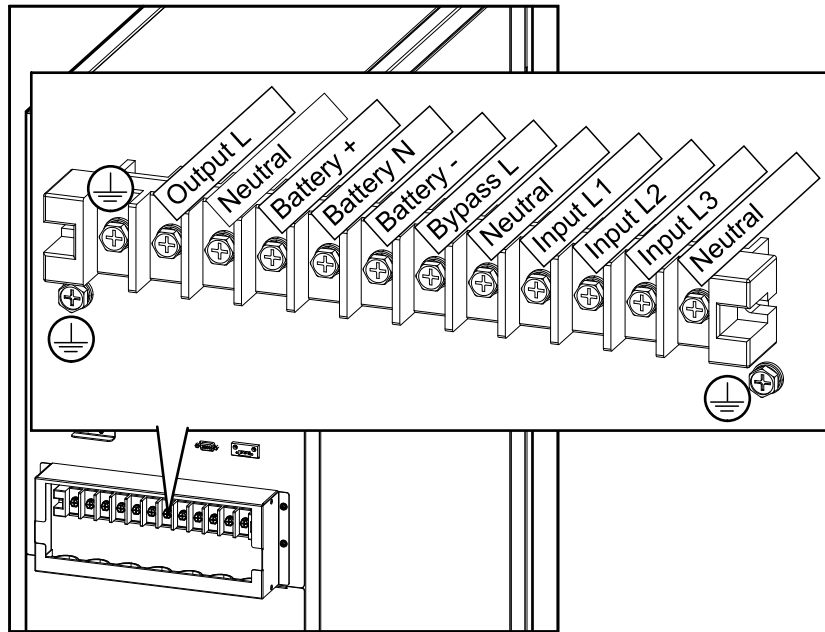


3. In dual mains systems, remove the single mains bracket.



4. Route the power cables through the bottom of the conduit box.

5. Connect the PE cable to the PE terminal.

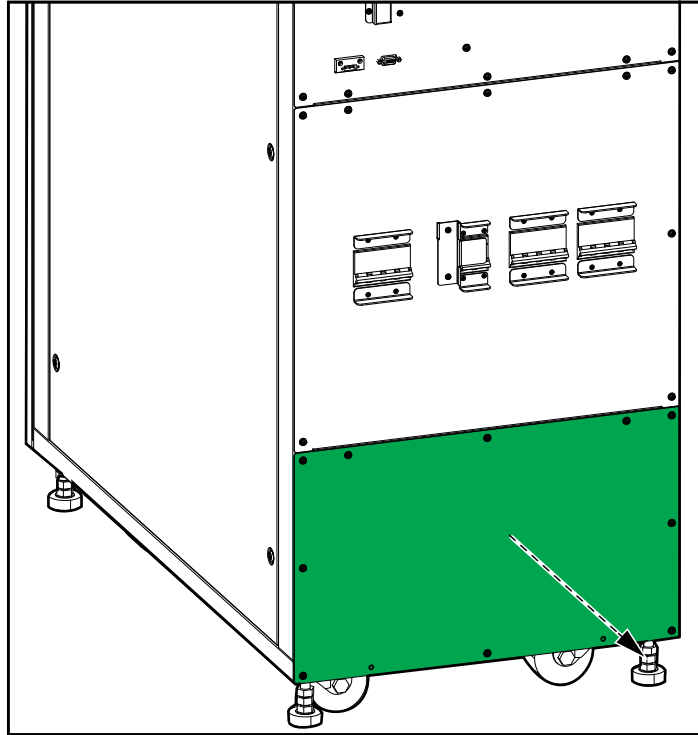


6. Connect the input cables, output cables, and bypass cables (if applicable).
7. Connect the battery cables if the UPS should have external batteries for extended runtime.
NOTE: Ensure that the type and number of blocks are the same as the internal batteries.
8. Reinstall the conduit box cover.

Connect the Power Cables in the 30 kVA UPS

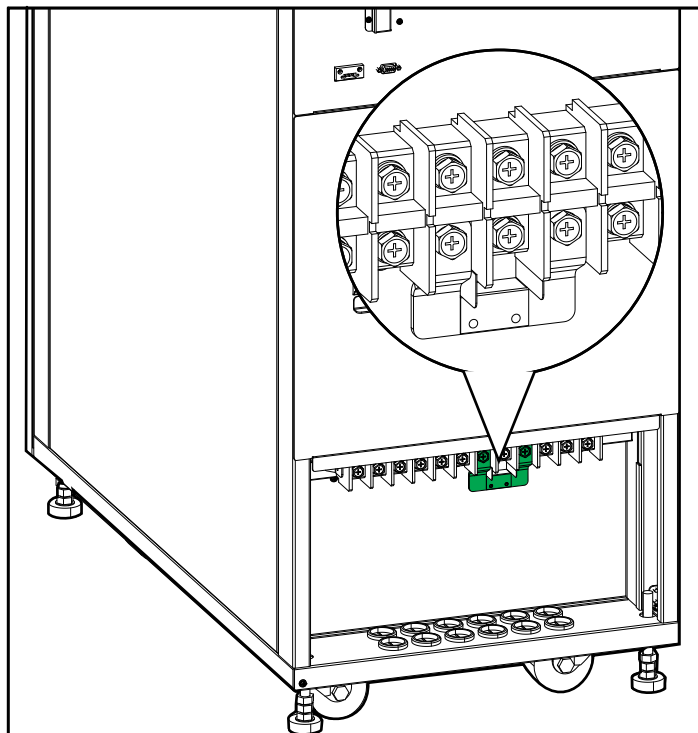
1. Ensure that all breakers are in the OFF (open) position.
2. Remove the lower plate.

Rear View of the 30 kVA UPS



3. In dual mains systems, remove the single mains bracket.

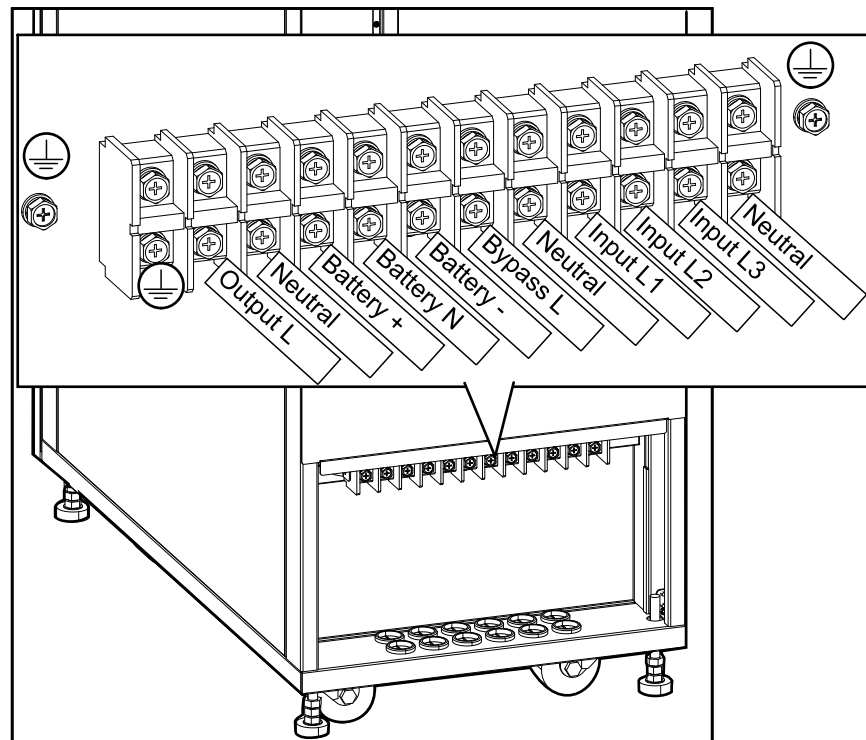
Rear View of the 30 kVA UPS



4. Route the power cables through the bottom of the UPS.

5. Connect the PE cable to the PE busbar.

Rear View of the 30 kVA UPS



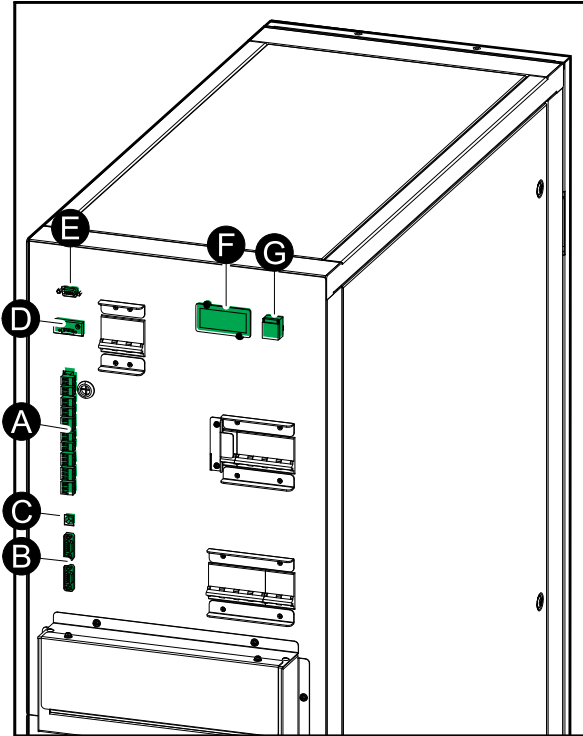
6. Connect the input cables, output cables, and bypass cables (if applicable).
7. Connect the battery cables if the UPS should have external batteries for extended runtime.
NOTE: Ensure that the type and number of blocks are the same as the internal batteries.
8. Reinstall the lower plate.

Communication Interfaces

NOTE: Route the signal cables separately from the power cables.

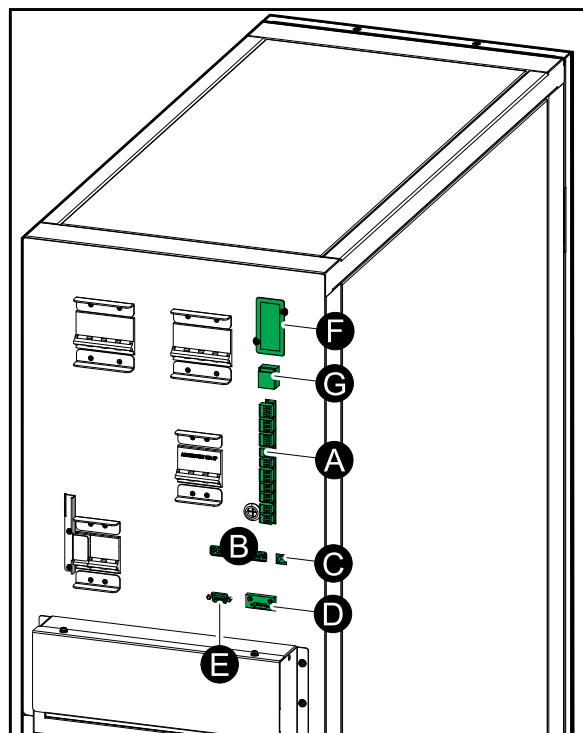
10-15 kVA 400 V UPS

- A. Dry contacts
- B. Parallel ports
- C. USB (for service)
- D. RS485
- E. RS232 (for service)
- F. Network management card (NMC)
- G. Cold start (optional)



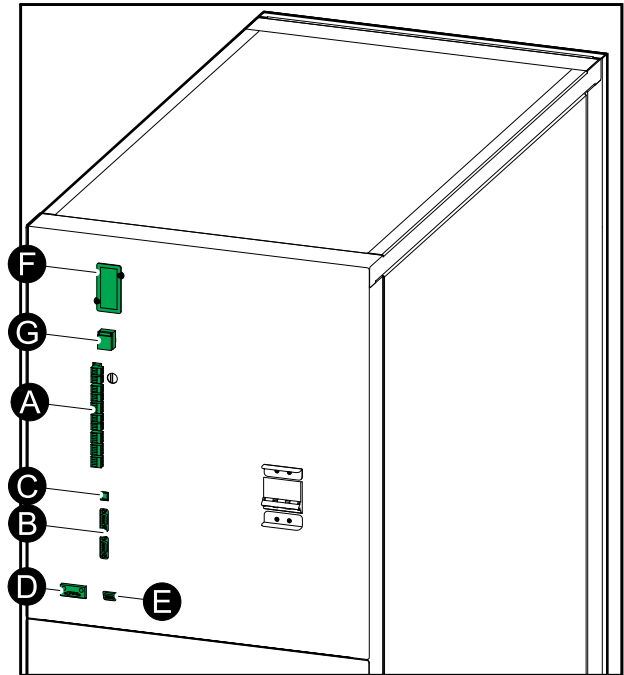
20 kVA 400 V / 10 kVA 208 V UPS

- A. Dry contacts
- B. Parallel ports
- C. USB (for service)
- D. RS485
- E. RS232 (for service)
- F. Network management card (NMC)
- G. Cold start (optional)

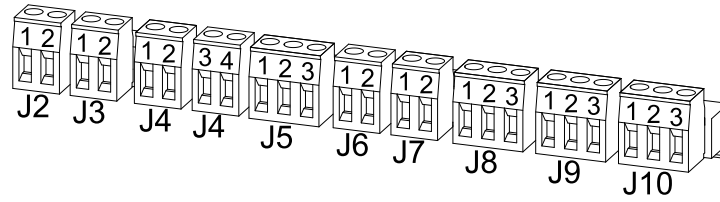


30 kVA 400 V / 15-20 kVA 208 V UPS

- A. Dry contacts
- B. Parallel ports
- C. USB (for service)
- D. RS485
- E. RS232 (for service)
- F. Network management card (NMC)
- G. Cold start (optional)



Input Contacts and Output Relays

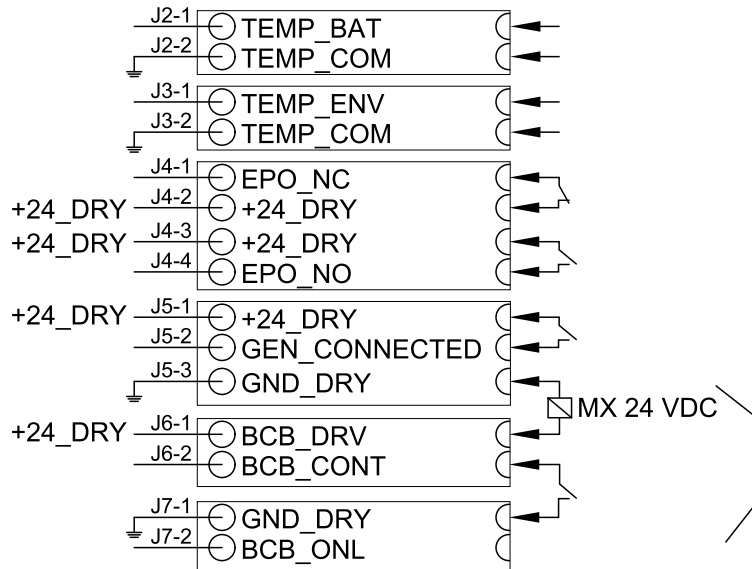


Input Contacts

NOTE: J2 is reserved for the internal battery temperature sensor which is installed from factory.

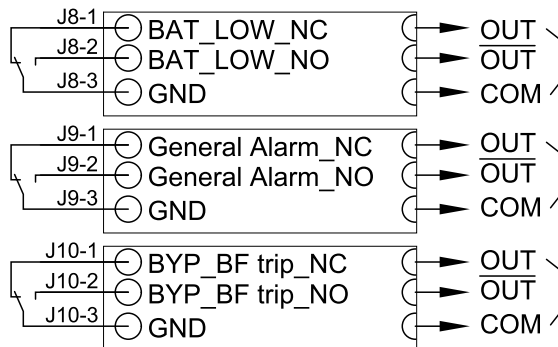
Input connections are considered 24 VDC Class 2/SELV.

Input Contacts for UPSs with Batteries



Output Relays

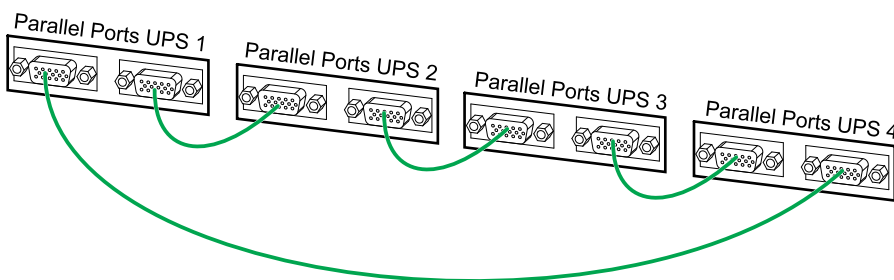
Output relay connection: Maximum 3A/240 VAC.



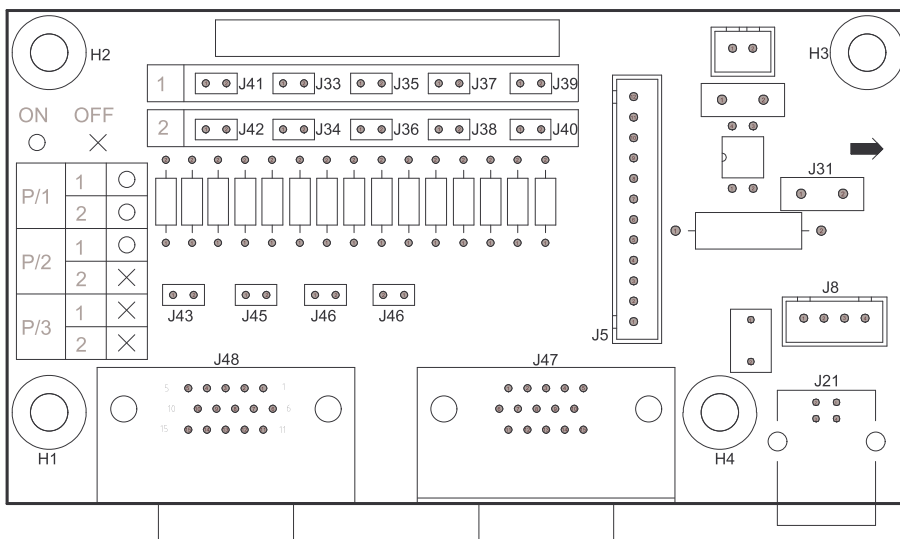
Connect the Signal Cables in Parallel Systems

1. Connect the optional parallel cables between all the UPSs of the parallel system.

NOTE: See Communication Interfaces, page 30 for location of parallel ports.



2. For 10/15/30/40 kVA UPSs, remove the right side panel of the UPSs. For 20 kVA UPSs, remove the left side panel of the UPSs. Pull out the parallel board.
3. Remove the jumpers from the parallel board according to your system:
 - In parallel systems with two UPSs, remove the jumpers from J34, J36, J38, J39, J42 on both boards.
 - In parallel systems with three or four UPSs, remove all the jumpers.



Backfeed Protection

⚠ DANGER

HAZARD OF ELECTRIC SHOCK, EXPLOSION, OR ARC FLASH

In systems where backfeed protection is not part of the standard design, an automatic isolation device (backfeed protection option or other device meeting the requirements of IEC/EN 62040-1) must be installed to prevent hazardous voltage or energy at the input terminals of the isolation device. The device must open within 15 seconds after the upstream power supply fails and must be rated according to the specifications.

Failure to follow these instructions will result in death or serious injury.

When the UPS input is connected through external isolators that, when opened, isolate the neutral or when the automatic backfeed isolation is provided external to the equipment or is connected to an IT power distribution system, a label must be fitted at the UPS input terminals, and on all primary power isolators installed remote from the UPS area and on external access points between such isolators and the UPS, by the user, displaying the following text (or equivalent in a language which is acceptable in the country in which the UPS system is installed):

⚠ DANGER

HAZARD OF ELECTRIC SHOCK, EXPLOSION, OR ARC FLASH

Risk of Voltage Backfeed. Before working on this circuit: Isolate the UPS and check for hazardous voltage between all terminals including the protective earth.

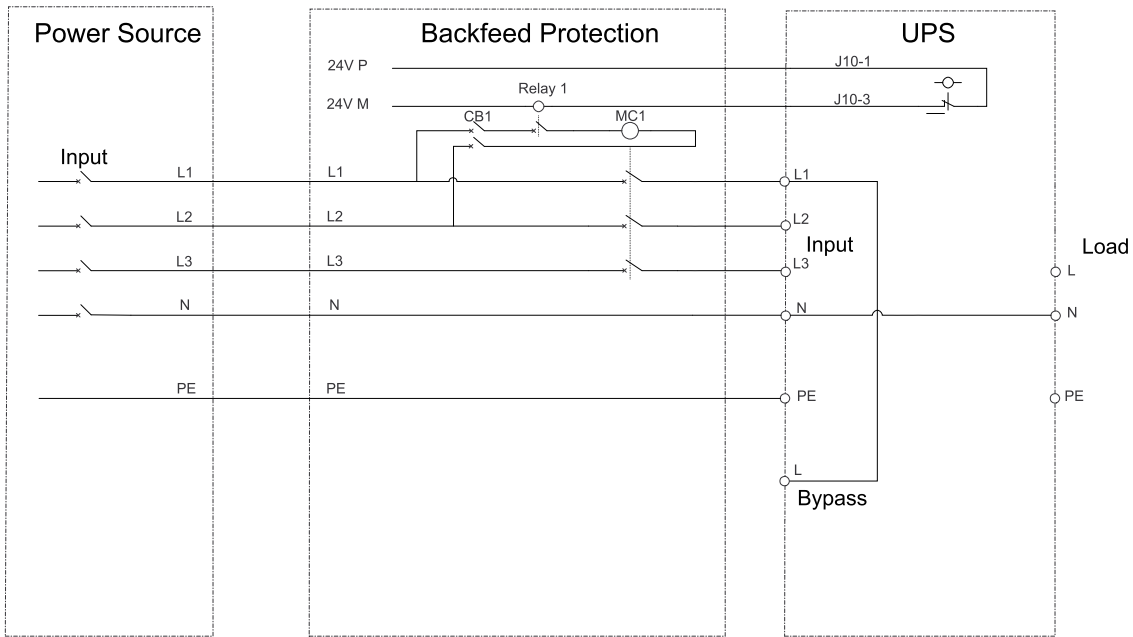
Failure to follow these instructions will result in death or serious injury.

An additional external isolation device must be installed in the UPS system. A magnetic contactor or a circuit breaker with UVR (Under Voltage Release) functionality can be used for this purpose. In the shown examples, the isolation device is a magnetic contactor (marked with a **MC1** for single mains systems and marked with a **MC1** and **MC2** for dual mains systems).

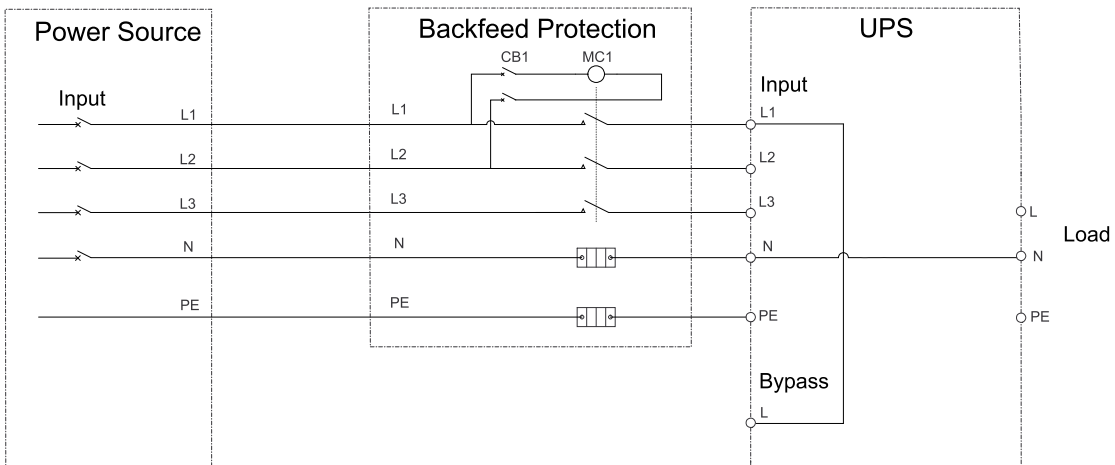
The isolation device must be able to withstand the electrical characteristics as described in Input Specifications, page 11.

NOTE: The 24 V source should be generated from the input source in single mains configurations and from the both the input and bypass source in dual mains configurations.

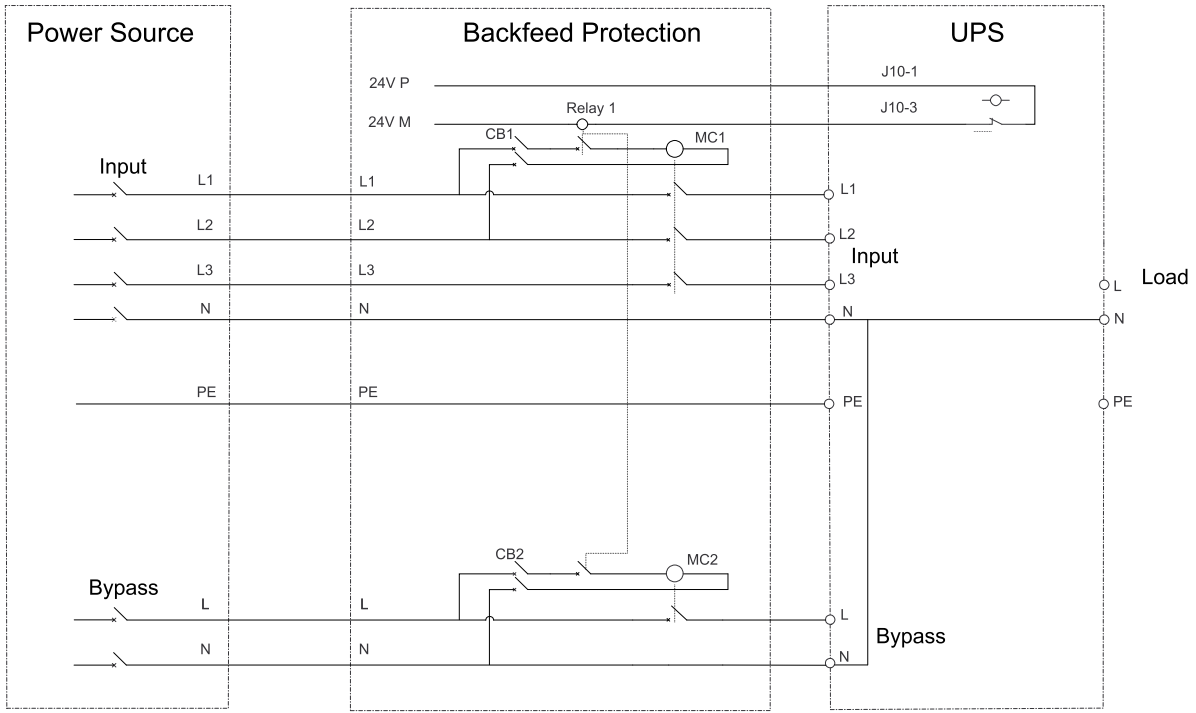
Single Mains UPS and External Isolation Device



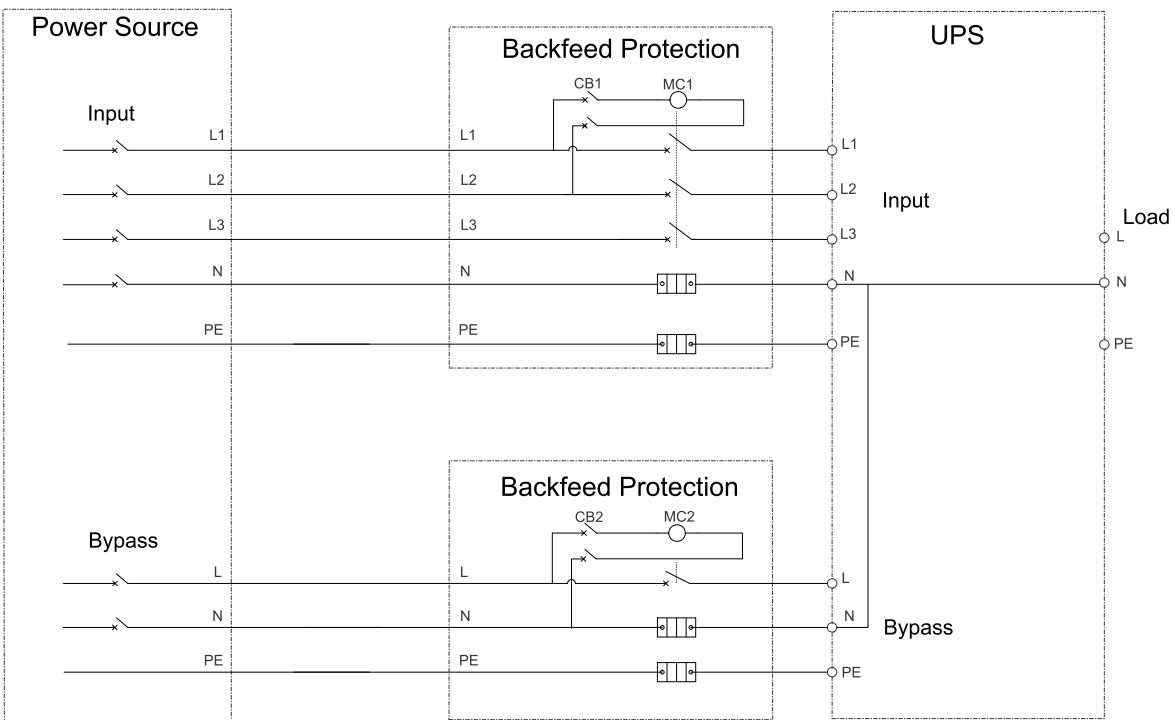
Single Mains UPS with Backfeed Box



Dual Mains UPS and External Isolation Device



Dual Mains with Backfeed Box



Install Batteries in the 400 V UPS

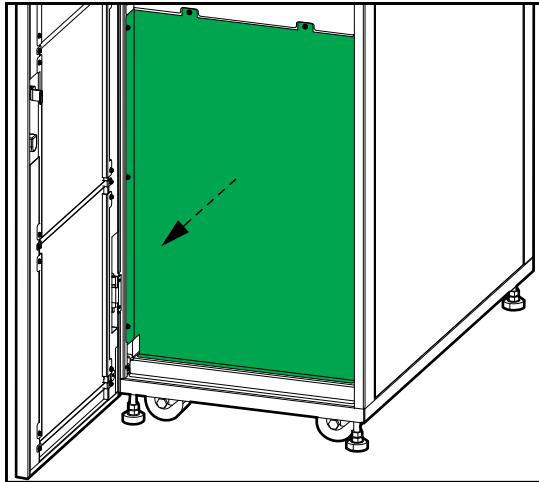
⚠️⚠️ WARNING

HAZARD OF ARC FLASH

Be careful not to damage the battery cables when installing the battery modules. Lift the battery cables away from the battery shelves before pushing the battery modules into the cabinet.

Failure to follow these instructions can result in death, serious injury, or equipment damage.

1. Remove the plate in front of the battery shelves.



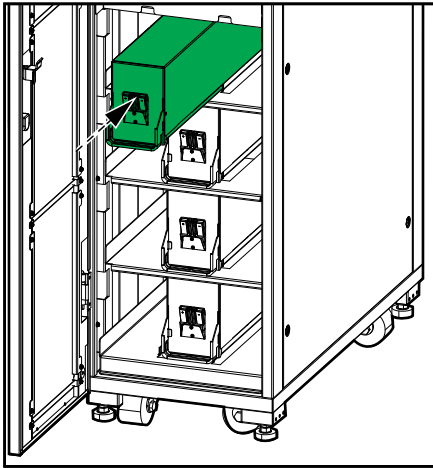
2. Cut the three cable ties that hold the battery cables to the frame.
3. Remove the screws before loading the battery modules. Save the screws for future use.

4. Holding the handle, install the battery modules one string at a time from the bottom and up.

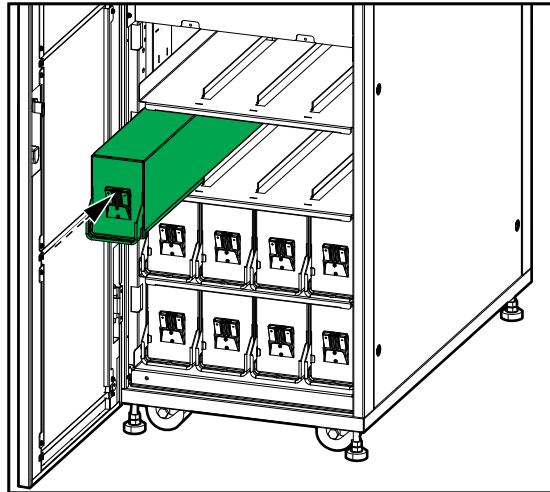
NOTE: For 10–20 kVA UPSs the battery strings are vertical and for 30 kVA UPSs the battery strings are horizontal. If the 10–20 kVA UPS contains one battery string, the batteries should be placed in the middle. If the 10–20 kVA UPS contains two battery strings, the batteries should be placed in the left and right sides.

NOTE: Be careful not to damage the battery cables when installing the battery cartridge.

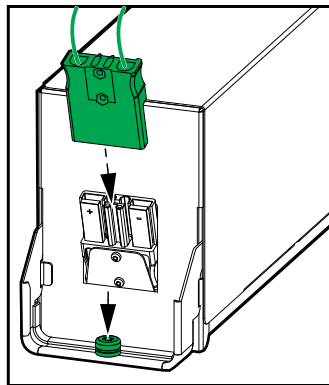
Front View of the 10–20 kVA UPS



Front View of the 30 kVA UPS



5. Push down the handle of each battery module and fasten with the provided M5 screw in front of the battery module.



6. Remove the shrink tubes from the power terminals and connect the power terminals to the batteries.
7. Reinstall the plate in front of the battery shelves.

Installation Checklist

- The UPS and batteries are free of damage.
- The UPS has been installed in a temperature controlled indoor environment free of conductive contaminants.
- The UPS has been installed on a non-flammable, level and solid surface that can support the weight of the cabinet.
- Upstream protection is installed according to Required Upstream and Downstream Protection and Cable Sizes, page 12 and local regulations.
- Power cables have been connected according to the procedures in this manual.
- Signal cables have been connected according to the procedures in this manual.
- Battery cables have been connected according to the procedures in this manual.
- All protection covers have been installed.

Appendix: Switch/Breaker Details

3:1 UPS

	Model	Switch/Breaker	Description	Switch or Breaker
10 kVA	UIB	OSMC65H4C32	32A 4P	Breaker
	SIB	OSMC65H4C32	32A 4P	Breaker
	UOB	A9S68263	63A 2P	Switch
	MBB	A9S68163	63A 1P	Switch
	BB	A9S68332	32A 3P	Switch (for UPSs with internal batteries)
15 kVA	UIB	OSMC65H4C40	40A 4P	Breaker
	SIB	OSMC65H4C40	40A 4P	Breaker
	UOB	A9S68280	80A 2P	Switch
	MBB	A9S68180	80A 1P	Switch
	BB	A9S68363	63A 3P	Switch (for UPSs with internal batteries)
20 kVA	UIB	OSMC65H4C63	63A 4P	Breaker
	SIB	OSMC65H4C63	63A 4P	Breaker
	UOB	A9S68292	125A 2P	Switch
	MBB	A9S68192	125A 1P	Switch
	BB	A9S68363	63A 3P	Switch (for UPSs with internal batteries)
30 kVA	UIB	A9S68480	500VAC 80A 4P	Switch
	SIB	A9S68491	100A 4P	Switch
	UOB	A9S68491	100A 4P	Switch
	MBB	A9S68280	80A 2P	Switch
	BB	A9S68391	100A 3P	Switch (for UPSs with internal batteries)

Schneider Electric
35 rue Joseph Monier
92500 Rueil Malmaison
France

+ 33 (0) 1 41 29 70 00



As standards, specifications, and design change from time to time,
please ask for confirmation of the information given in this publication.

© 2018 – 2023 Schneider Electric. All rights reserved.

990-91189D-001