



OPEN Industry Standard, Flexible Architecture

GREEN Less Heat, Less Power Consumption

STABLE Robust Design, Quality Parts

Stable and
Reliable Solution

Server/Workstation
Motherboard

ROMED4ID-2T

User Manual

English



Version 1.0

Published January 2021

Copyright©2021 ASRock Rack Inc. All rights reserved.

Copyright Notice:

No part of this documentation may be reproduced, transcribed, transmitted, or translated in any language, in any form or by any means, except duplication of documentation by the purchaser for backup purpose, without written consent of ASRock Rack Inc.

Products and corporate names appearing in this documentation may or may not be registered trademarks or copyrights of their respective companies, and are used only for identification or explanation and to the owners' benefit, without intent to infringe.

Disclaimer:

Specifications and information contained in this documentation are furnished for informational use only and subject to change without notice, and should not be constructed as a commitment by ASRock Rack. ASRock Rack assumes no responsibility for any errors or omissions that may appear in this documentation.

With respect to the contents of this documentation, ASRock Rack does not provide warranty of any kind, either expressed or implied, including but not limited to the implied warranties or conditions of merchantability or fitness for a particular purpose.

In no event shall ASRock Rack, its directors, officers, employees, or agents be liable for any indirect, special, incidental, or consequential damages (including damages for loss of profits, loss of business, loss of data, interruption of business and the like), even if ASRock Rack has been advised of the possibility of such damages arising from any defect or error in the documentation or product.



This device complies with Part 15 of the FCC Rules. Operation is subject to the following two conditions:

- (1) this device may not cause harmful interference, and
- (2) this device must accept any interference received, including interference that may cause undesired operation.

CALIFORNIA, USA ONLY

The Lithium battery adopted on this motherboard contains Perchlorate, a toxic substance controlled in Perchlorate Best Management Practices (BMP) regulations passed by the California Legislature. When you discard the Lithium battery in California, USA, please follow the related regulations in advance.

"Perchlorate Material-special handling may apply, see www.dtsc.ca.gov/hazardouswaste/perchlorate"

ASRock Rack's Website: www.ASRockRack.com

Contact Information

If you need to contact ASRock Rack or want to know more about ASRock Rack, you're welcome to visit ASRock Rack's website at www.ASRockRack.com; or you may contact your dealer for further information.

ASRock Rack Incorporation

6F., No.37, Sec. 2, Jhongyang S. Rd., Beitou District,

Taipei City 112, Taiwan (R.O.C.)

Contents

Chapter 1 Introduction	1
1.1 Package Contents	1
1.2 Specifications	2
1.3 Unique Features	5
1.4 Motherboard Layout	6
1.5 Onboard LED Indicators	8
1.6 I/O Panel	10
1.7 Block Diagram	12
Chapter 2 Installation	13
2.1 Screw Holes	13
2.2 Pre-installation Precautions	13
2.3 Installing the CPU	14
2.4 Installation of Memory Modules (DIMM)	18
2.5 Expansion Slot (PCI Express Slot)	20
2.6 Onboard Headers and Connectors	21
2.7 ATX PSU / DC-IN Power Connections	27
2.8 Unit Identification purpose LED/Switch	28
2.9 Driver Installation Guide	28
2.10 M.2_SSD (NGFF) Module Installation Guide (M2_1)	29
Chapter 3 UEFI Setup Utility	30
3.1 Introduction	30
3.1.1 UEFI Menu Bar	30
3.1.2 Navigation Keys	31

3.2	Main Screen	32
3.3	Advanced Screen	33
3.3.1	CPU Configuration	34
3.3.2	Chipset Configuration	35
3.3.3	Storage Configuration	37
3.3.4	ACPI Configuration	38
3.3.5	USB Configuration	39
3.3.6	Super IO Configuration	40
3.3.7	Serial Port Console Redirection	41
3.3.8	H/W Monitor	44
3.3.9	PCI Subsystem Settings	45
3.3.10	AMD CBS	46
3.3.11	AMD PBS	47
3.3.12	PSP Firmware Versions	48
3.3.13	Instant Flash	49
3.4	Server Mgmt	50
3.4.1	System Event Log	51
3.4.2	BMC Network Configuration	52
3.4.3	BMC Tools	54
3.5	Security	55
3.5.1	Key Management	56
3.6	Boot Screen	59
3.6.1	CSM Parameters	61
3.7	Event Logs	64

3.8	Exit Screen	66
Chapter 4 Software Support		67
4.1	Install Operating System	67
4.2	Support CD Information	67
4.2.1	Running The Support CD	67
4.2.2	Drivers Menu	67
4.2.3	Utilities Menu	67
4.2.4	Contact Information	67
Chapter 5 Troubleshooting		68
5.1	Troubleshooting Procedures	68
5.2	Technical Support Procedures	70
5.3	Returning Merchandise for Service	70

Chapter 1 Introduction

Thank you for purchasing ASRock Rack **ROMED4ID-2T** motherboard, a reliable motherboard produced under ASRock Rack's consistently stringent quality control. It delivers excellent performance with robust design conforming to ASRock Rack's commitment to quality and endurance.

In this manual, chapter 1 and 2 contains introduction of the motherboard and step-by-step guide to the hardware installation. Chapter 3 and 4 contains the configuration guide to BIOS setup and information of the Support CD.



Because the motherboard specifications and the BIOS software might be updated, the content of this manual will be subject to change without notice. In case any modifications of this manual occur, the updated version will be available on ASRock Rack website without further notice. You may find the latest memory and CPU support lists on ASRock Rack website as well. ASRock Rack's Website: www.ASRockRack.com

*If you require technical support related to this motherboard, please visit our website for specific information about the model you are using.
<http://www.asrockrack.com/support/>*

1.1 Package Contents

- ASRock Rack ROMED4ID-2T Motherboard
(Proprietary Form Factor: 6.7-in x 8.2-in, 17 cm x 20.8 cm)
- Quick Installation Guide
- 1 x I/O Shield
- 1 x ATX 4P to 24P Power Cable (8cm)
- 1 x SATA Power Cable (80cm)
- 1 x M.3 Thumb Screw without Screwdriver for M.2 Socket



If any items are missing or appear damaged, contact your authorized dealer.

1.2 Specifications

ROMED4ID-2T	
MB Physical Status	
Form Factor	Proprietary
Dimension	6.7" x 8.2" (17.0 cm x 20.8 cm)
Processor System	
CPU	AMD EPYC™ 7002* Series Processors Family <i>*Please refer to CPU AVL on the ASRock Rack's website for latest update.</i>
Socket	Single Socket SP3 (LGA4094)
Chipset	N/A
System Memory	
Type	- Quad Channel DDR4 memory technology (1DPC) - Supports DDR4 RDIMM, LRDIMM, 3DS, and NVDIMM
DIMM Size Per DIMM	- RDIMM: 64GB, 32GB, 16GB, 8GB - LRDIMM: 256GB, 128GB, 64GB, 32GB - 3DS: 32GB, 16GB, 8GB - NV DIMM: 32GB
DIMM Frequency	- RDIMM: 3200MHz - LRDIMM: 3200MHz - 3DS: 3200MHz - NVDIMM: 2666MHz
Voltage	1.2V
Expansion Slot	
PCIe 4.0 x 16	PCIe7: Gen4 x16 link
Storage	
SlimSAS	6 x Slimline SAS (PCIe4.0 x8 or 8 SATA 6Gb/s)
RAID Support	N/A
M.2 Slot	1 (M2_1: 2280, 1 M-key (SATA 6Gb/s or PCIe4.0 x4)
Ethernet	
Interface	10000/1000 /100 Mbps by Intel X550
LAN Controller	- 2 x RJ45 10G base-T by Intel® X550-AT2 - 1 x RJ45 Dedicated IPMI LAN port by RTL8211E - Supports Wake-On-LAN - Supports Energy Efficient Ethernet 802.3az - Supports Dual LAN with Teaming function - Supports PXE - LAN1 supports NCSI
Management	
BMC Controller	ASPEED AST2500
IPMI Dedicated GLAN	1 x Realtek RTL8211E for dedicated management GLAN

Features	Watch Dog NMI
Graphics	
Controller	ASPEED AST2500
Rear Panel I/O	
VGA Port	1 x D-Sub
USB 3.2 Gen1 Port	2
LAN Port	- 2+1 RJ45 Gigabit Ethernet LAN port - LAN Ports with LED (ACT/LINK LED and SPEED LED)
UID	1
Internal Connector	
Auxiliary Panel Header	1 (includes chassis intrusion, location button & LED, and front LAN LED)
TPM Header	1
IPMB Header	1
Fan Header	3 Fans x 4-pin
ATX Power	1 x (8-pin) + 1 x (8-pin) + 1 x (4-pin) + 1 x (4-pin)
USB 2.0 Header	1 (supports 2 USB 2.0 ports)
M.2	1 (M2_1: 2280 (SATA 6Gb/s or PCIe4.0 x4))
SlimSAS	6
PSU SMB	1
Smbus from BMC	1
Thermal Sensor Header	1
Speaker(4pin)	1
ClearCMOS	1 (short pad)
CPU1_HSBP1	1
OH/FanFail LED	3 (only Fan Fail LED)
COM Header	1
System BIOS	
BIOS Type	32MB AMI UEFI Legal BIOS
BIOS Features	- Plug and Play (PnP) - ACPI 2.0 Compliance Wake Up Events - SMBIOS 2.8 Support - ASRock Rack Instant Flash
Hardware Monitor	
Temperature	- CPU Temperature Sensing - MB/TR1/Card side Temperature Sensing
Fan	- Fan Tachometer - CPU Quiet Fan (Allow CPU Fan Speed Auto-Adjust by CPU Temperature) - Fan Multi-Speed Control
Voltage	Voltage Monitoring: Vsoc,Vcpu, VCCM, VPPM, 3V/5V/12V, +BAT, 3VSB, 5VSB

Support OS

OS	<p>Microsoft® Windows®</p> <ul style="list-style-type: none">- Server 2016 (64 bit)- Server 2019 (64 bit) <p>Linux®</p> <ul style="list-style-type: none">- RedHat Enterprise Linux Server 8.2 (64 bit) / 7.9 (64 bit)- CentOs 8.2 (64 bit) / 7.9 (64 bit)- SUSE SLES 15.2 (64 bit) / 12.5 (64 bit)- UBuntu 20.04.1 (64 bit) / 18.04.5 (64 bit) / 16.04.7 (64 bit) <p>Hypervisor</p> <ul style="list-style-type: none">- VMWare ESXi 6.7 u3 / 7.0 u1- vSphere 6.7 u3 / 7.0 u1- CITRIX Hypervisor 8.1.0 <p><i>* Please refer to our website for the latest OS support list.</i></p>
----	--

Environment

Temperature	Operation temperature: 10°C ~ 35°C / Non operation temperature: -40°C ~ 70°C
-------------	--

NOTE: Please refer to our website for the latest specifications.



This motherboard supports Wake from on Board LAN. To use this function, please make sure that the "Wake on Magic Packet from power off state" is enabled in Device Manager > Intel® Ethernet Connection > Power Management. And the "PCI Devices Power On" is enabled in UEFI SETUP UTILITY > Advanced > ACPI Configuration. After that, onboard LAN1&2 can wake up S5 under OS.

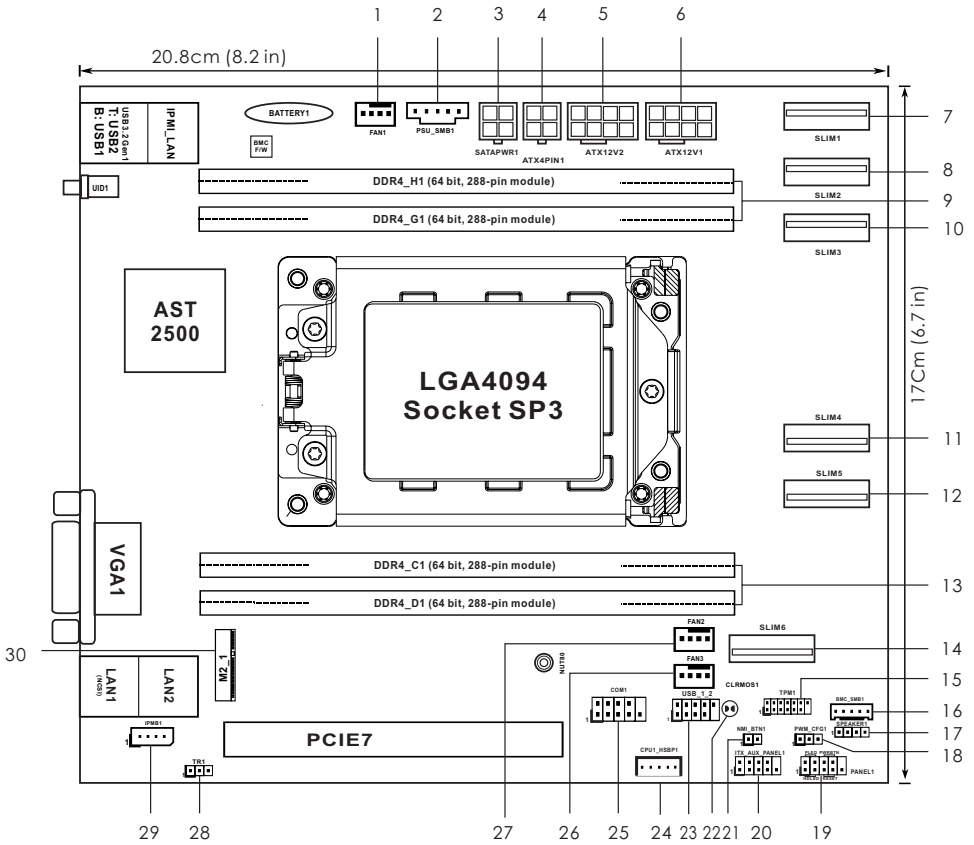


If you install Intel® LAN utility or Marvell SATA utility, this motherboard may fail Windows® Hardware Quality Lab (WHQL) certification tests. If you install the drivers only, it will pass the WHQL tests.

1.3 Unique Features

ASRock Rack Instant Flash is a BIOS flash utility embedded in Flash ROM. This convenient BIOS update tool allows you to update system BIOS without entering operating systems first like MS-DOS or Windows. With this utility, you can press the <F6> key during the POST or the <F2> key to enter into the BIOS setup menu to access ASRock Rack Instant Flash. Just launch this tool and save the new BIOS file to your USB flash drive, floppy disk or hard drive, then you can update your BIOS only in a few clicks without preparing an additional floppy diskette or other complicated flash utility. Please be noted that the USB flash drive or hard drive must use FAT32/16/12 file system.

1.4 Motherboard Layout

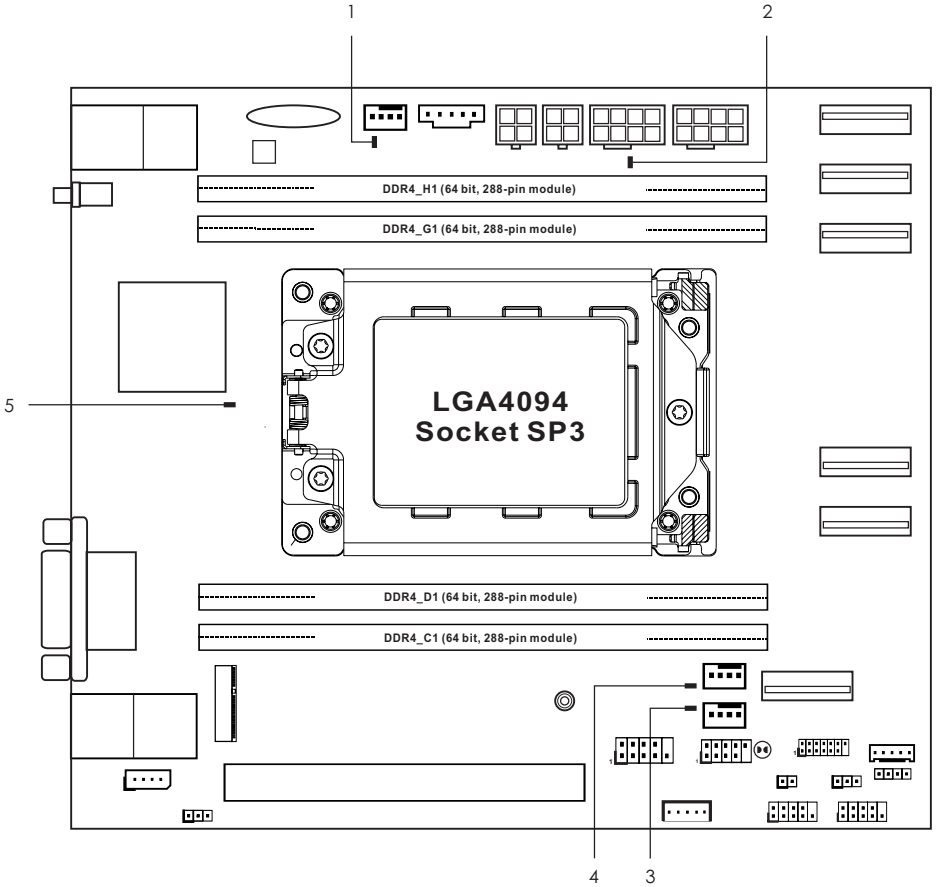


No.	Description
1	System Fan Connector (FAN1)
2	PSU SMBus Header (PSU_SMB1)
3	SATA Power Connector (DC-IN Mode) (SATAPWR1)**
4	ATX 4-PIN Power Connector (ATX4PIN1)**
5	ATX 12V Power Connector (ATX12V2)
6	ATX 12V Power Connector (ATX12V1)
7	Slimline SAS Connector (SLIM1) (Supports SATA)
8	Slimline SAS Connector (SLIM2) (Supports SATA)
9	2 x 288-pin DDR4 DIMM Slots (DDR4_G, DDR4_H1)*
10	Slimline SAS Connector (SLIM3)
11	Slimline SAS Connector (SLIM4)
12	Slimline SAS Connector (SLIM5)
13	2 x 288-pin DDR4 DIMM Slots (DDR4_C1, DDR4_D1)*
14	Slimline SAS Connector (SLIM6)
15	TPM Header (TPM1)
16	BMC SMBus Header (BMC_SMB1)
17	Speaker Header (SPEAKER1)
18	PWM Configuration Header (PWM_CFG1)
19	System Panel Header (PANEL1)
20	Auxiliary Panel Header (ITX_AUX_PANEL1)
21	Non Maskable Interrupt Button (NMI_BTN1)
22	Clear CMOS Pad (CLRMOS1)
23	USB 2.0 Header (USB_1_2)
24	Backplane PCI Express Hot-Plug Connector (CPU1_HSBP1)
25	COM Port Header (COM1)
26	System Fan Connector (FAN3)
27	System Fan Connector (FAN2)
28	Thermal Sensor Header (TR1)
29	Intelligent Platform Management Bus Header (IPMB1)
30	M.2 Socket (M2_1) (Type 2280)

*For DIMM installation and configuration instructions, please see p.21 (Installation of Memory Modules (DIMM)) for more details.

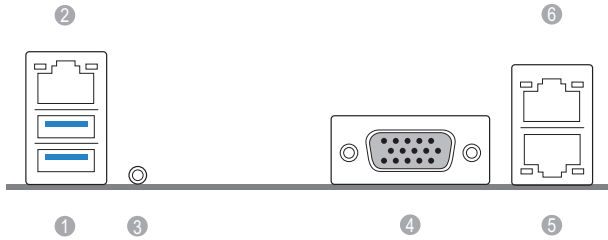
**Caution: Misconnection between the ATX4PIN1 and the SATAPWR1 connectors may permanently damage the motherboard.

1.5 Onboard LED Indicators



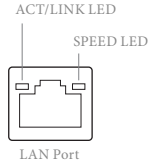
No.	Item	Status	Description
1	FAN_LED1	Amber	FAN1 failed
2	SB_PWR1	Green	STB PWR ready
3	FAN_LED3	Amber	FAN3 failed
4	FAN_LED2	Amber	FAN2 failed
5	BMC_LED1	Green	BMC heartbeat LED

1.6 I/O Panel



No.	Description	No.	Description
1	USB 3.2 Gen1 Ports (USB3_1_2)	4	VGA Port (VGA1)
2	LAN RJ-45 Port (IPMI_LAN1)*	5	10G LAN RJ-45 Port (LAN1)**
3	UID Switch (UID1)	6	10G LAN RJ-45 Port (LAN2)**

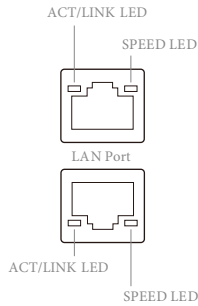
*There are two LED next to the LAN port. Please refer to the table below for the LAN port LED indications.



Dedicated IPMI LAN Port LED Indications

Activity / Link LED		Speed LED	
Status	Description	Status	Description
Off	No Link	Off	10M bps connection or no link
Blinking Yellow	Data Activity	Yellow	100M bps connection
On	Link	Green	1Gbps connection

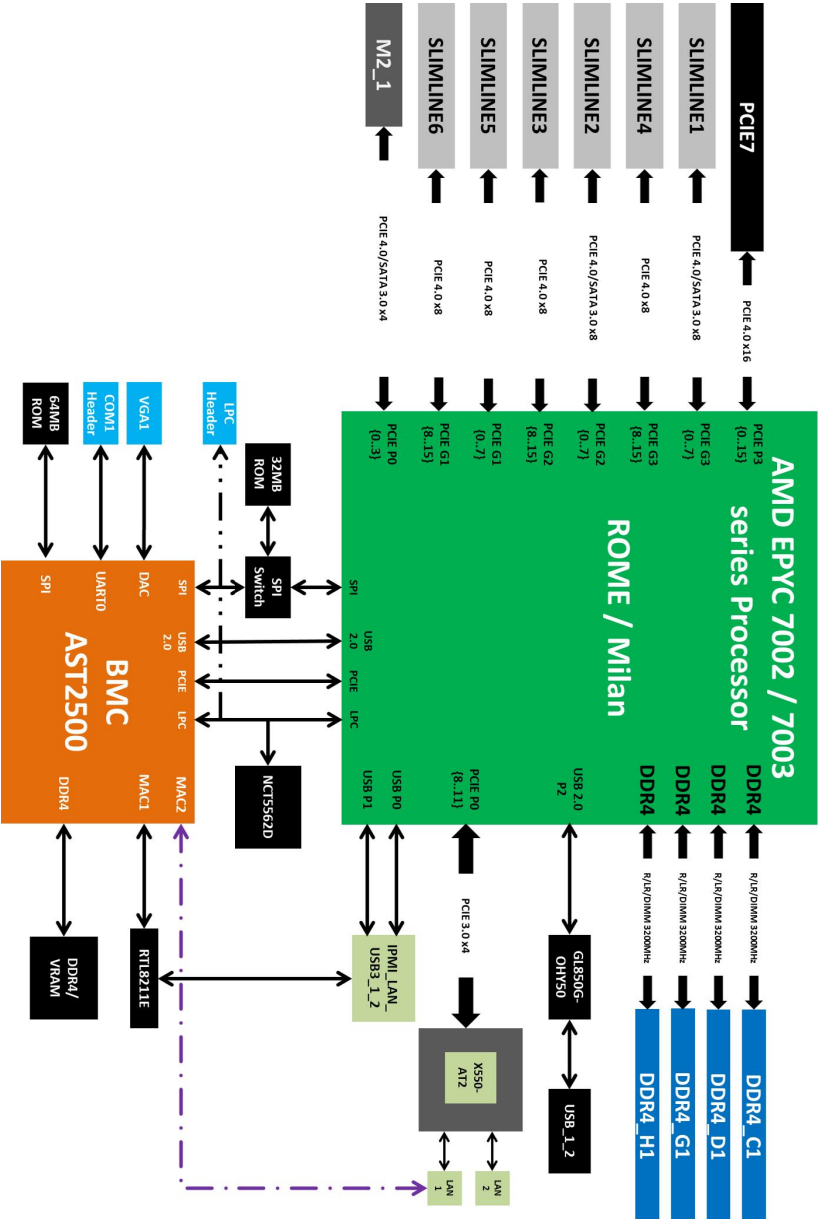
**There are two LEDs on each LAN port. Please refer to the table below for the LAN port LED indications.



10G LAN Port (LAN1, LAN2) LED Indications

Activity / Link LED		Speed LED	
Status	Description	Status	Description
Off	No Link	Off	100Mbps connection or no link
Blinking Yellow	Data Activity	Yellow	1Gbps connection
On	Link	Green	10Gbps connection

1.7 Block Diagram



Chapter 2 Installation

This is a Proprietary form factor (6.7" x 8.2", 17.0 cm x 20.8 cm) motherboard. Before you install the motherboard, study the configuration of your chassis to ensure that the motherboard fits into it.



Make sure to unplug the power cord before installing or removing the motherboard. Failure to do so may cause physical injuries to you and damages to motherboard components.

2.1 Screw Holes

Place screws into the holes indicated by circles to secure the motherboard to the chassis.



Do not over-tighten the screws! Doing so may damage the motherboard.

2.2 Pre-installation Precautions

Take note of the following precautions before you install motherboard components or change any motherboard settings.

1. Unplug the power cord from the wall socket before touching any components.
2. To avoid damaging the motherboard's components due to static electricity, NEVER place your motherboard directly on the carpet or the like. Also remember to use a grounded wrist strap or touch a safety grounded object before you handle the components.
3. Hold components by the edges and do not touch the ICs.
4. Whenever you uninstall any component, place it on a grounded anti-static pad or in the bag that comes with the component.
5. When placing screws into the screw holes to secure the motherboard to the chassis, please do not over-tighten the screws! Doing so may damage the motherboard.

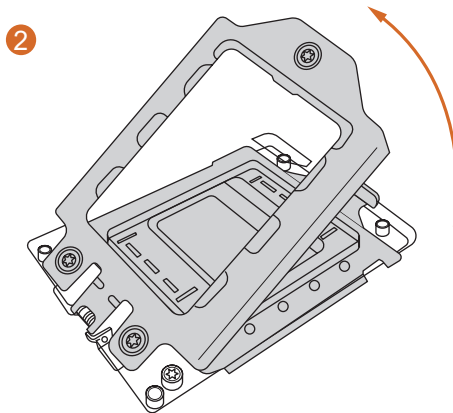
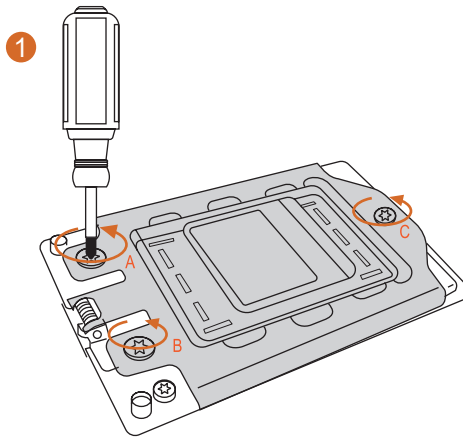


Before you install or remove any component, ensure that the power is switched off or the power cord is detached from the power supply. Failure to do so may cause severe damage to the motherboard, peripherals, and/or components.

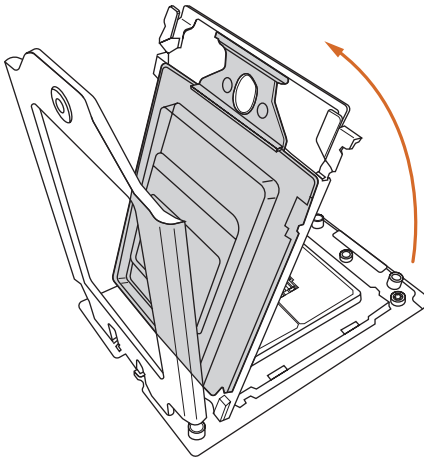
2.3 Installing the CPU



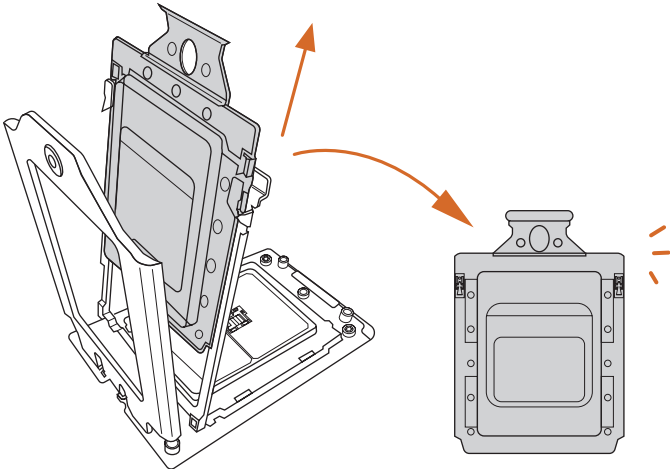
1. Before you insert the CPU into the socket, please check if the PnP cap is on the socket, if the CPU surface is unclean, or if there are any bent pins in the socket. Do not force to insert the CPU into the socket if above situation is found. Otherwise, the CPU will be seriously damaged.
2. Unplug all power cables before installing the CPU.



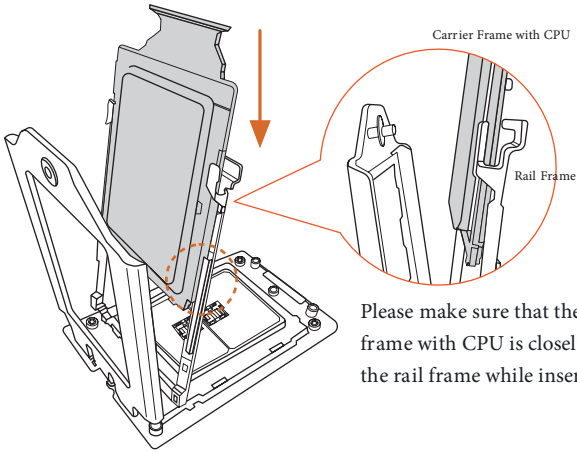
3



4

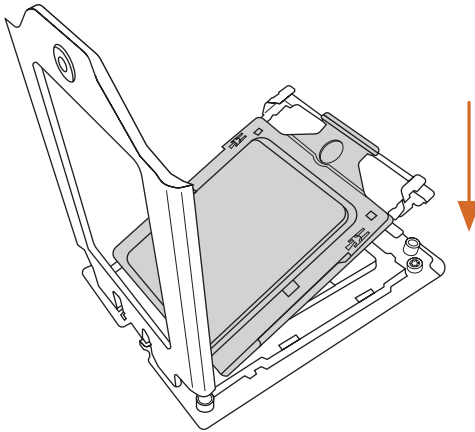


5

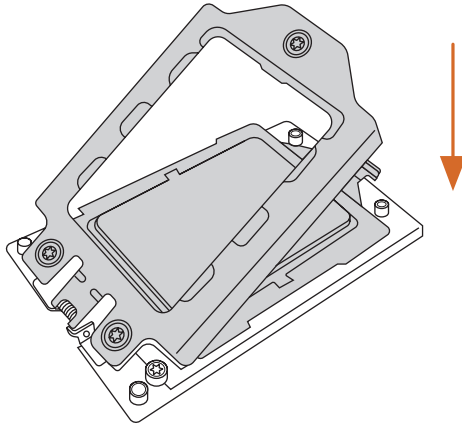


Install the carrier frame with CPU. Don't separate them.

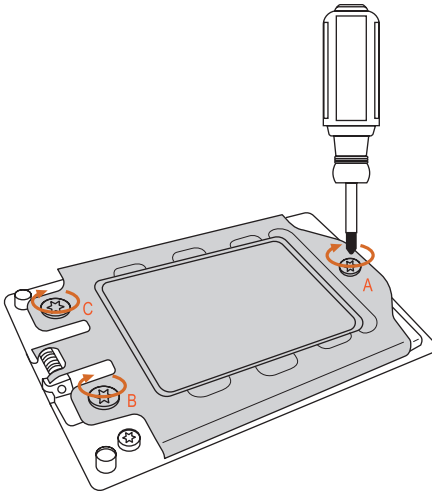
6



7



8



2.4 Installation of Memory Modules (DIMM)

This motherboard provides four 288-pin DDR4 (Double Data Rate 4) DIMM slots in two groups, and supports Quad Channel Memory Technology.

Quad Channel Memory Configuration (without NVDIMM)

Priority	DDR4_C1 (Blue)	DDR4_D1 (Blue)	DDR4_G1 (Blue)	DDR4_H1 (Blue)
1	Populated	Populated		
2	Populated	Populated	Populated	Populated

**Since installing three memory modules is NOT supported on this motherboard, we suggest not using this configuration.*



It is not allowed to install a DDR, DDR2 or DDR3 memory module into a DDR4 slot; otherwise, this motherboard and DIMM may be damaged.

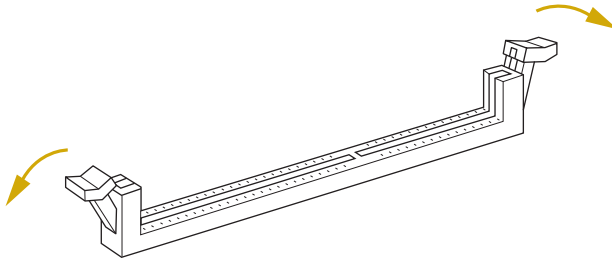
NVDIMM Configuration

The table below shows the population guidelines for NVDIMMs.

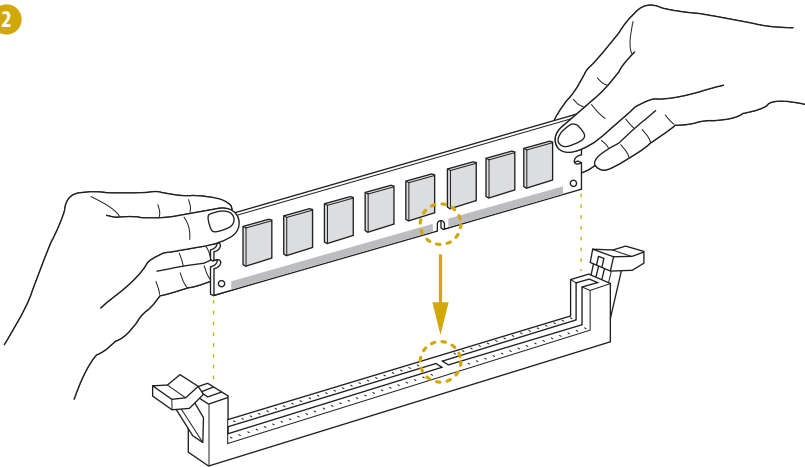
Please note that NVDIMMs only work with at least a RDIMM or a LRDIMM installed on the DDR4_D1 slot.

NVDIMM Quantity	DDR4_C1 (Blue)	DDR4_D1 (Blue)	DDR4_G1 (Blue)	DDR4_H1 (Blue)
1	NVDIMM	RDIMM / LRDIMM	Empty	Empty
1	RDIMM / LRDIMM	RDIMM / LRDIMM	NVDIMM	Empty
1	RDIMM / LRDIMM	RDIMM / LRDIMM	NVDIMM	RDIMM / LRDIMM
2	RDIMM / LRDIMM	RDIMM / LRDIMM	NVDIMM	NVDIMM
3	NVDIMM	RDIMM / LRDIMM	NVDIMM	NVDIMM

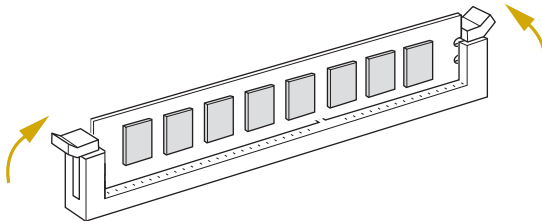
1



2



3



The DIMM only fits in one correct orientation. It will cause permanent damage to the motherboard and the DIMM if you force the DIMM into the slot at incorrect orientation.

2.5 Expansion Slot (PCI Express Slot)

There is 1 PCI Express slot on this motherboard.

PCIe slot:

PCIe7 (PCIe 4.0 x16 slot, from CPU) is used for PCI Express x16 lane width cards.

Slot	Generation	Mechanical	Electrical	Source
PCIe7	4.0	x16	x16	CPU

Installing an expansion card

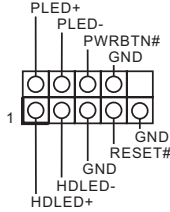
- Step 1. Before installing an expansion card, please make sure that the power supply is switched off or the power cord is unplugged. Please read the documentation of the expansion card and make necessary hardware settings for the card before you start the installation.
- Step 2. Remove the system unit cover (if your motherboard is already installed in a chassis).
- Step 3. Remove the bracket facing the slot that you intend to use. Keep the screws for later use.
- Step 4. Align the card connector with the slot and press firmly until the card is completely seated on the slot.
- Step 5. Fasten the card to the chassis with screws.
- Step 6. Replace the system cover.

2.6 Onboard Headers and Connectors



Onboard headers and connectors are NOT jumpers. Do NOT place jumper caps over these headers and connectors. Placing jumper caps over the headers and connectors will cause permanent damage to the motherboard.

System Panel Header
(9-pin PANEL1)
(see p.6, No. 19)



Connect the power switch, reset switch and system status indicator on the chassis to this header according to the pin assignments. Particularly note the positive and negative pins before connecting the cables.



PWRBTN (Power Switch):

Connect to the power switch on the chassis front panel. You may configure the way to turn off your system using the power switch.

RESET (Reset Switch):

Connect to the reset switch on the chassis front panel. Press the reset switch to restart the computer if the computer freezes and fails to perform a normal restart.

PLED (System Power LED):

Connect to the power status indicator on the chassis front panel. The LED is on when the system is operating. The LED is off when the system is in S4 sleep state or powered off (S5).

HDLED (Hard Drive Activity LED):

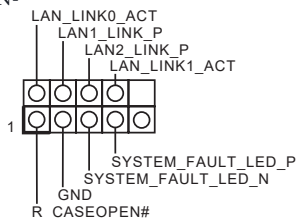
Connect to the hard drive activity LED on the chassis front panel. The LED is on when the hard drive is reading or writing data.

The front panel design may differ by chassis. A front panel module mainly consists of power switch, reset switch, power LED, hard drive activity LED, speaker and etc. When connecting your chassis front panel module to this header, make sure the wire assignments and the pin assignments are matched correctly.

Auxiliary Panel Header

(9-pin ITX_AUX_PAN-EL1)

(see p.6, No. 13)

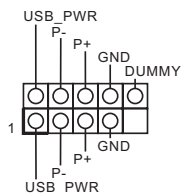


This header supports multiple functions on the front panel, including front panel SMB, internet status indicator.

USB 2.0 Header

(9-pin USB_1_2)

(see p.6, No. 23)

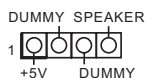


There is one USB 2.0 header on this motherboard. This USB 2.0 header can support two ports.

Chassis Speaker Header

(4-pin SPEAKER1)

(see p.6, No. 17)



Please connect the chassis speaker to this header.

System Fan Connectors

(4-pin FAN1)

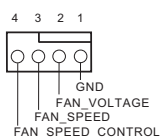
(see p.6, No. 1)

(4-pin FAN2)

(see p.6, No. 27)

(4-pin FAN3)

(see p.6, No. 26)



Please connect the fan cables to the fan connectors and match the black wire to the ground pin. All fans supports Fan Control.

Slimline SAS Connectors

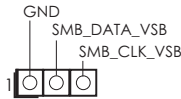
- (SLIM1)
- (see p.6, No. 7)
- (SLIM2)
- (see p.6, No. 8)
- (SLIM3)
- (see p.6, No. 10)
- (SLIM4)
- (see p.6, No. 11)
- (SLIM5)
- (see p.6, No. 12)
- (SLIM6)
- (see p.6, No. 14)



These connectors are used for the NVME PCIE devices.

PWM Configuration Header

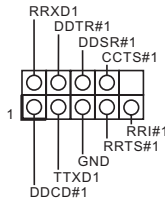
- (3-pin PWM_CFG1)
- (see p.6, No. 18)



This header is used for PWM configurations.

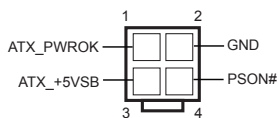
Serial Port Header

- (9-pin COM1)
- (see p.6, No. 24)



This COM header supports a serial port module.

ATX 4-PIN Power Connector
(4-pin ATX4PIN1
(ATX 24pin-to-4pin))
(see p.6, No. 4)



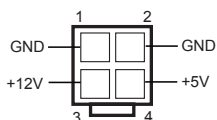
The motherboard provides one 4-pin power/signal connector which is a required input for ATX power source.

When using ATX power, it is necessary to use a 24pin-to-4pin power cable to connect between the 24pin power connector of PSU and the U6755 connector on the motherboard for power supply and signal communication.

For DC-IN 12V application, it is not necessary to use this ATX 4-PIN power connector.

**Caution: Misconnection between the ATX4PIN1 and the SATAPWR1 connectors may permanently damage the motherboard.*

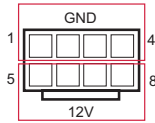
SATA Power Connector
(DC-IN Mode)
(4-pin SATAPWR1)
(see p.6, No. 3)



Please use a SATA power cable to connect this SATA Power Connector and your SATA HDD for supplying power from the motherboard, when using DC-IN mode without SATA power supply.

**Caution: Misconnection between the ATX4PIN1 and the SATAPWR1 connectors may permanently damage the motherboard.*

ATX 12V Power Connectors
 (8-pin ATX12V1)
 (see p.6, No. 6)
 (8-pin ATX12V2)
 (see p.6, No. 5)



The motherboard provides two 8-pin 12V power connectors which are required input for either DC-IN 12V or ATX +12V power source.

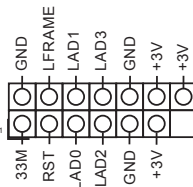
When using ATX power, it is necessary to use a 24pin-to-4pin power cable to connect between the 24pin power connector of PSU and the U6755 connector on the motherboard for power supply and signal communication.

Clear CMOS Pads
 (CLRMO51)
 (see p.6, No. 22)



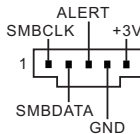
This allows you to clear the data in CMOS. To clear CMOS, take out the CMOS battery and short the Clear CMOS Pad.

TPM Header
 (13-pin TPM1)
 (see p.6, No. 15)



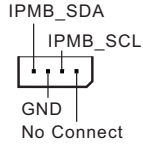
This connector supports Trusted Platform Module (TPM) system, which can securely store keys, digital certificates, passwords, and data. A TPM system also helps enhance network security, protects digital identities, and ensures platform integrity.

PSU SMBus Header
 (5-pin PSU_SMB1)
 (see p.6, No. 2)



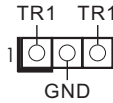
PSU SMBus monitors the status of the power supply, fan and system temperature.

Intelligent Platform
Management Bus Header
(4-pin IPMB1)
(see p.6, No. 29)



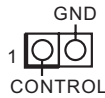
This 4-pin connector is used to provide a cabled base-board or front panel connection for value added features and 3rd-party add-in cards, such as Emergency Management cards, that provide management features using the IPMB.

Thermal Sensor Header
(3-pin TR1)
(see p.6, No. 28)



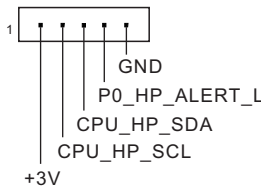
Please connect the thermal sensor cable to either pin 1-2 or pin 2-3 and the other end to the device which you wish to monitor its temperature.

Non Maskable Interrupt
Button Header
(NMI_BTN1)
(see p.6, No. 21)



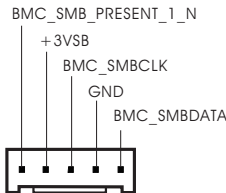
Please connect a NMI device to this header.

CPU HP-SMBus
Connector
(5-pin CPU1_HSBP1)
(see p.6, No. 24)



This header is used for the hot plug feature of NVMEs on the backplane.

Baseboard Management
Controller SMBus Header
(5-pin BMC_SMB1)
(see p.6, No. 16)

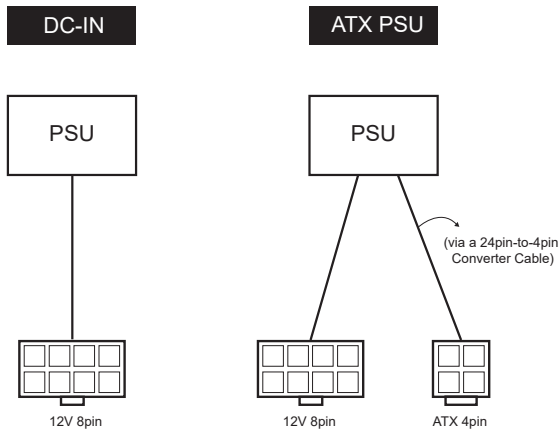


The header is used for the SM BUS devices.

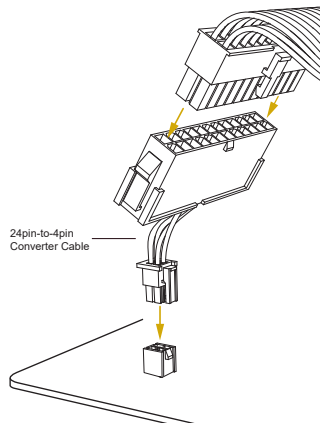
2.7 ATX PSU / DC-IN Power Connections

This motherboard supports both +12V DC and ATX power input. Please refer to the table below for the required connections between the motherboard and the power supply.

Connector	DC-IN	ATX PSU
12V 8pin	O	O
ATX 4pin	X	O (with the bundled ATX 24pin-to-4pin converter cable)



The following diagram illustrates how to connect the bundled ATX 24pin-to-4pin converter cable.



2.8 Unit Identification purpose LED/Switch

With the UID button, You are able to locate the server you're working on from behind a rack of servers.

Unit Identification
purpose LED/Switch
(UID1)



When the UID button on the front or rear panel is pressed, the front/rear UID blue LED indicator will be turned on. Press the UID button again to turn off the indicator.

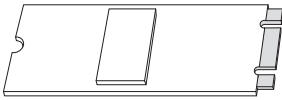
2.9 Driver Installation Guide

To install the drivers to your system, please insert the support CD to your optical drive first. Then, the drivers compatible to your system can be auto-detected and listed on the support CD driver page. Please follow the order from top to bottom to install those required drivers. Therefore, the drivers you install can work properly.

2.10 M.2_SSD (NGFF) Module Installation Guide (M2_1)

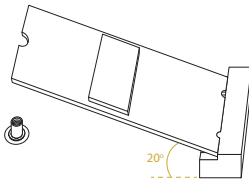
The M.2, also known as the Next Generation Form Factor (NGFF), is a small size and versatile card edge connector that aims to replace mPCIe and mSATA. This M.2_SSD (NGFF) Socket 3 can accommodate a SATA3 6.0 Gb/s module or a PCI Express module up to Gen4 x4 (64 Gb/s) only.

Installing the M.2_SSD (NGFF) Module



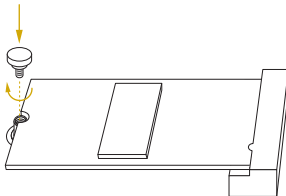
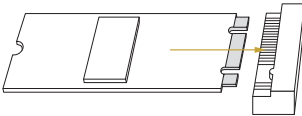
Step 1

Prepare a M.2_SSD (NGFF) module and the screw.



Step 2

Gently insert the M.2 (NGFF) SSD module into the M.2 slot. Please be aware that the M.2 (NGFF) SSD module only fits in one orientation.



Step 3

Hand tighten the thumbscrew to secure the module into place. Please do not overtighten the screw as this might damage the module.

M.2_SSD (NGFF) Module Support List

For the latest updates of M.2_SSD (NFGG) module support list, please visit our website for details: <http://www.asrockrack.com>

Chapter 3 UEFI Setup Utility

3.1 Introduction

This section explains how to use the UEFI SETUP UTILITY to configure your system. The UEFI chip on the motherboard stores the UEFI SETUP UTILITY. You may run the UEFI SETUP UTILITY when you start up the computer. Please press <F2> or during the Power-On-Self-Test (POST) to enter the UEFI SETUP UTILITY; otherwise, POST will continue with its test routines.

If you wish to enter the UEFI SETUP UTILITY after POST, restart the system by pressing <Ctrl> + <Alt> + <Delete>, or by pressing the reset button on the system chassis. You may also restart by turning the system off and then back on.



Because the UEFI software is constantly being updated, the following UEFI setup screens and descriptions are for reference purpose only, and they may not exactly match what you see on your screen.

3.1.1 UEFI Menu Bar

The top of the screen has a menu bar with the following selections:

Item	Description
Main	To set up the system time/date information
Advanced	To set up the advanced UEFI features
Server Mgmt	To manage the server
Security	To set up the security features
Boot	To set up the default system device to locate and load the Operating System
Event Logs	For event log configuration
Exit	To exit the current screen or the UEFI SETUP UTILITY

Use <←> key or <→> key to choose among the selections on the menu bar, and then press <Enter> to get into the sub screen.

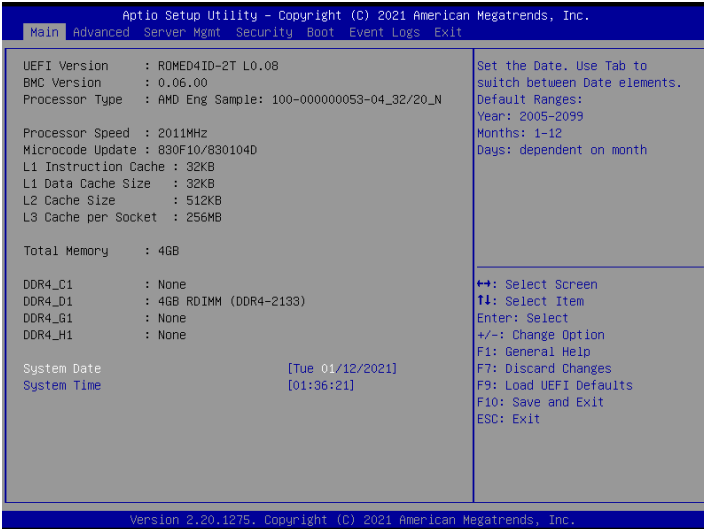
3.1.2 Navigation Keys

Please check the following table for the function description of each navigation key.

Navigation Key(s)	Function Description
← / →	Moves cursor left or right to select Screens
↑ / ↓	Moves cursor up or down to select items
+ / -	To change option for the selected items
<Tab>	Switch to next function
<Enter>	To bring up the selected screen
<PGUP>	Go to the previous page
<PGDN>	Go to the next page
<HOME>	Go to the top of the screen
<END>	Go to the bottom of the screen
<F1>	To display the General Help Screen
<F7>	Discard changes and exit the UEFI SETUP UTILITY
<F9>	Load optimal default values for all the settings
<F10>	Save changes and exit the UEFI SETUP UTILITY
<F12>	Print screen
<ESC>	Jump to the Exit Screen or exit the current screen

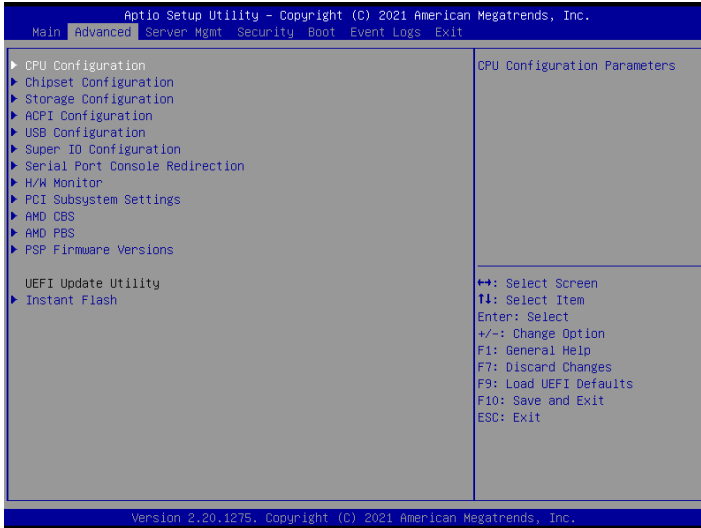
3.2 Main Screen

Once you enter the UEFI SETUP UTILITY, the Main screen will appear and display the system overview. The Main screen provides system overview information and allows you to set the system time and date.



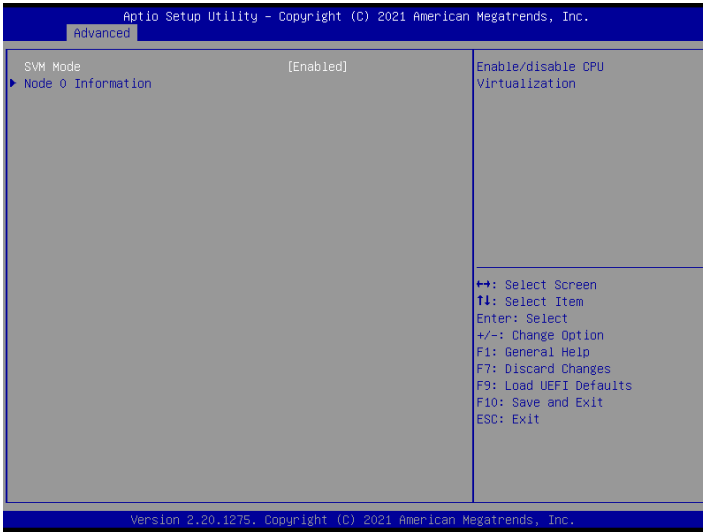
3.3 Advanced Screen

In this section, you may set the configurations for the following items: CPU Configuration, Chipset Configuration, Storage Configuration, ACPI Configuration, USB Configuration, Super IO Configuration, Serial Port Console Redirection, H/W Monitor, PCI Subsystem Settings, AMD CBS, AMD PBS, PSP Firmware Versions and Instant Flash.



Setting wrong values in this section may cause the system to malfunction.

3.3.1 CPU Configuration



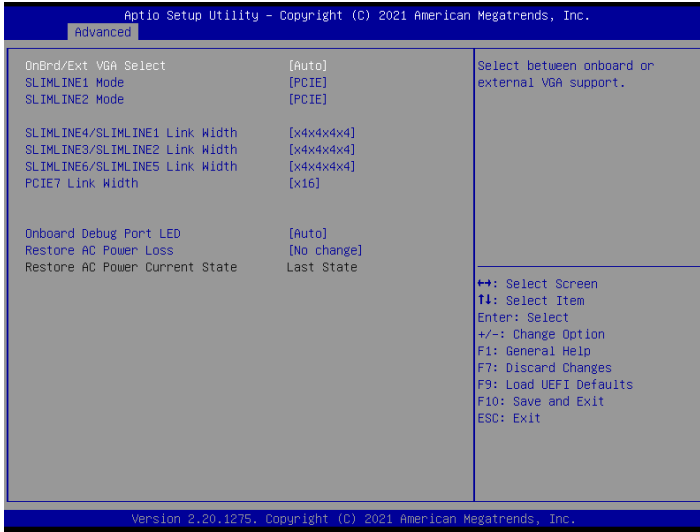
SVM Mode

Enable or disable CPU Virtualization.

Node 0 Information

View Memory Information related to Node 0.

3.3.2 Chipset Configuration



OnBrd/Ext VGA Select

Select between onboard or external VGA support.

SLIMLINE1 Mode

This allows you to configure SLIMLINE1 Mode.

SLIMLINE2 Mode

This allows you to configure SLIMLINE2 Mode.

SLIMLINE4/SLIMLINE1 Link Width

This allows you to select SLIMLINE4/SLIMLINE1 Link Width.

The default value is [x4/x4/x4/x4].

SLIMLINE3/SLIMLINE2 Link Width

This allows you to select SLIMLINE3/SLIMLINE2 Link Width.

The default value is [x4/x4/x4/x4].

SLIMLINE6/SLIMLINE5 Link Width

This allows you to select SLIMLINE6/SLIMLINE5 Link Width.

The default value is [x4/x4/x4/x4].

PCIE7 Link Width

This allows you to select PCIE7 Link Width. The default value is [x16].

Onboard Debug Port LED

Enable or disable the onboard Dr. Debug LED.

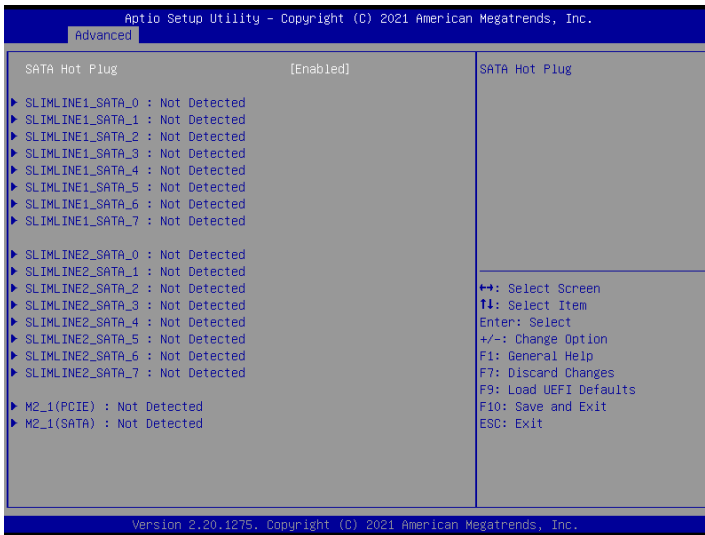
Restore AC Power Loss

This allows you to set the power state after a power failure. If [Power Off] is selected, the power will remain off when the power recovers. If [Power On] is selected, the system will start to boot up when the power recovers.

Restore AC Power Current State

This allows you to restore AC Power Current State.

3.3.3 Storage Configuration



SATA Hot Plug

Enable/disable the SATA Hot Plug Function.

3.3.4 ACPI Configuration



PCIE Devices Power On

Allow the system to be waked up by a PCIE device and enable wake on LAN.

RTC Alarm Power On

Use this item to enable or disable RTC (Real Time Clock) to power on the system.

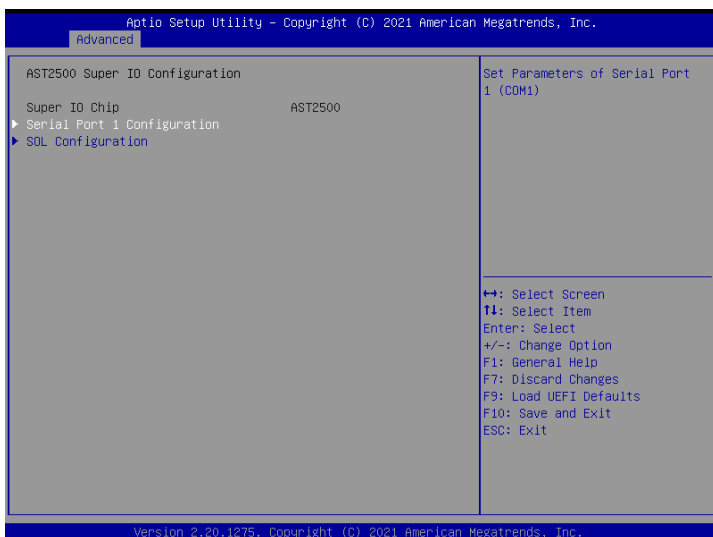
3.3.5 USB Configuration



Legacy USB Support

Use this option to enable or disable legacy support for USB devices. The default value is [Enabled].

3.3.6 Super IO Configuration



Serial Port 1 Configuration

Use this item to set parameters of Serial Port 1 (COM1).

Serial Port

Use this item to enable or disable the serial port.

Serial Port Address

Use this item to select an optimal setting for Super IO device.

SOL Configuration

Use this item to set parameters of SOL.

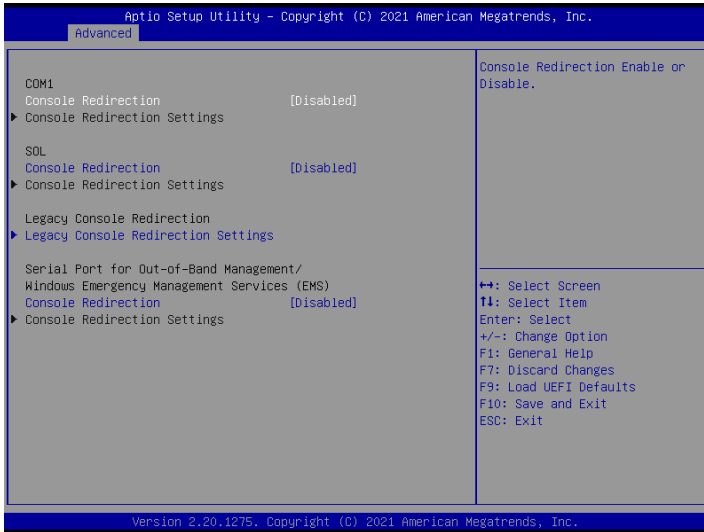
SOL Port

Use this item to set parameters of SOL.

Serial Port Address

Use this item to select an optimal setting for Super IO device.

3.3.7 Serial Port Console Redirection



COM1 / SOL

Console Redirection

Use this option to enable or disable Console Redirection. If this item is set to Enabled, you can select a COM Port to be used for Console Redirection.

Console Redirection Settings

Use this option to configure Console Redirection Settings, and specify how your computer and the host computer to which you are connected exchange information. Both computers should have the same or compatible settings.

Terminal Type

Use this item to select the preferred terminal emulation type for out-of-band management. It is recommended to select [VT-UTF8].

Option	Description
VT100	ASCII character set
VT100+	Extended VT100 that supports color and function keys
VT-UTF8	UTF8 encoding is used to map Unicode chars onto 1 or more bytes
ANSI	Extended ASCII character set

Bits Per Second

Use this item to select the serial port transmission speed. The speed used in the host computer and the client computer must be the same. Long or noisy lines may require lower transmission speed. The options include [9600], [19200], [38400], [57600] and [115200].

Data Bits

Use this item to set the data transmission size. The options include [7] and [8] (Bits).

Parity

Use this item to select the parity bit. The options include [None], [Even], [Odd], [Mark] and [Space].

Stop Bits

The item indicates the end of a serial data packet. The standard setting is [1] Stop Bit. Select [2] Stop Bits for slower devices.

Flow Control

Use this item to set the flow control to prevent data loss from buffer overflow. When sending data, if the receiving buffers are full, a "stop" signal can be sent to stop the data flow. Once the buffers are empty, a "start" signal can be sent to restart the flow. Hardware flow uses two wires to send start/stop signals. The options include [None] and [Hardware RTS/CTS].

VT-UTF8 Combo Key Support

Use this item to enable or disable the VT-UTF8 Combo Key Support for ANSI/VT100 terminals.

Recorder Mode

Use this item to enable or disable Recorder Mode to capture terminal data and send it as text messages.

Resolution 100x31

Use this item to enable or disable extended terminal resolution support.

Putty Keypad

Use this item to select Function Key and Keypad on Putty.

Legacy Console Redirection

Legacy Console Redirection Settings

Use this option to configure Legacy Console Redirection Settings, and specify how your computer and the host computer to which you are connected exchange information.

Redirection COM Port

Select a COM port to display redirection of Legacy OS and Legacy OPROM Messages.

Resolution

On Legacy OS, the Number of Rows and Columns supported redirection.

Redirect After POST

When Bootloader is selected, then Legacy Console Redirection is disabled before booting to legacy OS. When Always Enable is selected, then Legacy Console Redirection is enabled for legacy OS. Default setting for this option is set to Always Enable.

Serial Port for Out-of-Band Management/Windows Emergency Management Services (EMS)

Console Redirection

Use this option to enable or disable Console Redirection. If this item is set to Enabled, you can select a COM Port to be used for Console Redirection.

Console Redirection Settings

Use this option to configure Console Redirection Settings, and specify how your computer and the host computer to which you are connected exchange information.

Out-of-Band Mgmt Port

Microsoft Windows Emergency Management Services (EMS) allows for remote management of a Windows Server OS through a serial port.

Terminal Type

Use this item to select the preferred terminal emulation type for out-of-band management. It is recommended to select [VT-UTF8].

Option	Description
VT100	ASCII character set
VT100+	Extended VT100 that supports color and function keys
VT-UTF8	UTF8 encoding is used to map Unicode chars onto 1 or more bytes
ANSI	Extended ASCII character set

Bits Per Second

Use this item to select the serial port transmission speed. The speed used in the host computer and the client computer must be the same. Long or noisy lines may require lower transmission speed. The options include [9600], [19200], [57600] and [115200].

Flow Control

Use this item to set the flow control to prevent data loss from buffer overflow. When sending data, if the receiving buffers are full, a "stop" signal can be sent to stop the data flow. Once the buffers are empty, a "start" signal can be sent to restart the flow. Hardware flow uses two wires to send start/stop signals. The options include [None], [Hardware RTS/CTS], and [Software Xon/Xoff].

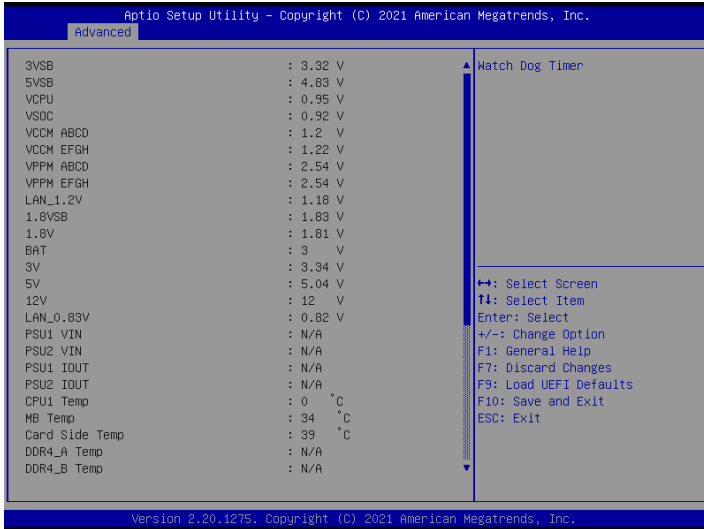
Data Bits

Parity

Stop Bits

3.3.8 H/W Monitor

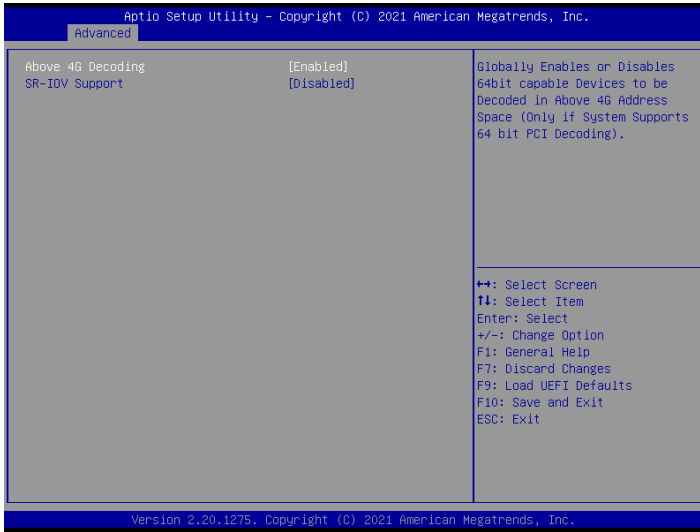
In this section, it allows you to monitor the status of the hardware on your system, including the parameters of the CPU temperature, motherboard temperature, CPU fan speed, chassis fan speed, and the critical voltage.



Watch Dog Timer

This allows you to enable or disable the Watch Dog Timer. The default value is [Disabled].

3.3.9 PCI Subsystem Settings



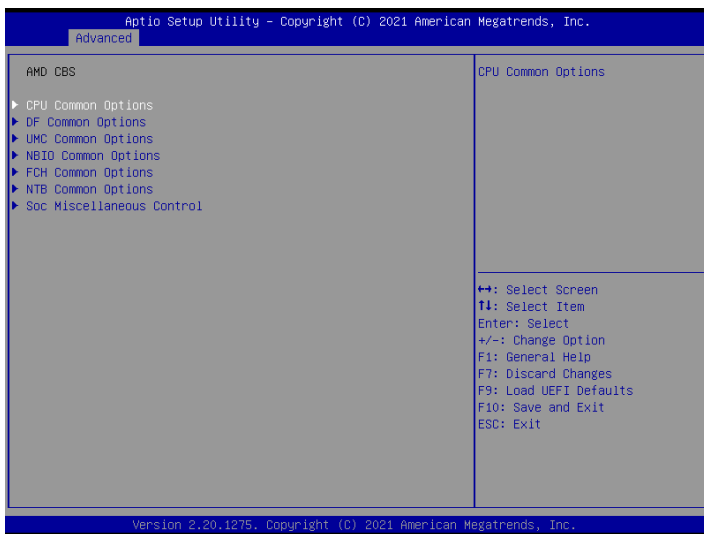
Above 4G Decoding

Enable or disable 64bit capable Devices to be decoded in Above 4G Address Space (only if the system supports 64 bit PCI decoding).

SR-IOV Support

If system has SR-IOV capable PCIe Devices, this option Enables or Disables Single Root IO Virtualization Support.

3.3.10 AMD CBS



CPU Common Options

Use this item to configure CPU Common options.

DF Common Options

Use this item to configure DF Common options.

UMC Common Options

Use this item to configure UMC Common options.

NBIO Common Options

Use this item to configure NBIO Common options.

FCH Common Options

Use this item to configure FCH Common options.

NTB Common Options

Use this item to configure NTB Common options.

Soc Miscellaneous Control

Use this item to configure Soc Miscellaneous Control options.

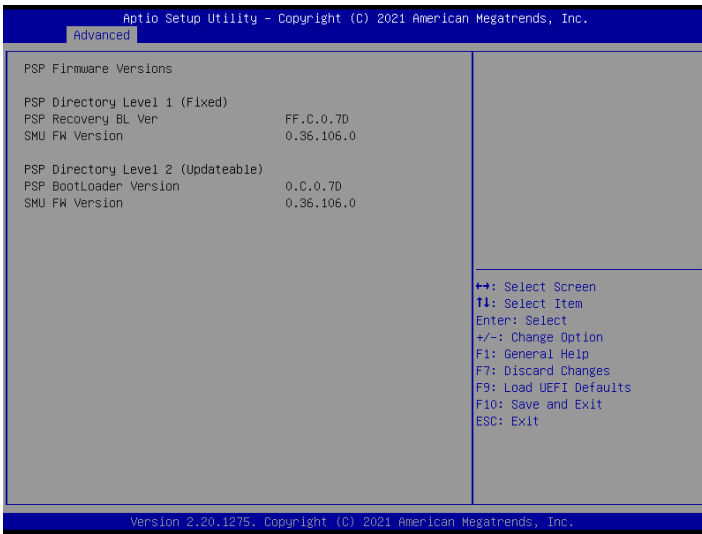
3.3.11 AMD PBS



RAS

Use this item to configure AMD CPM RAS related settings.

3.3.12 PSP Firmware Versions

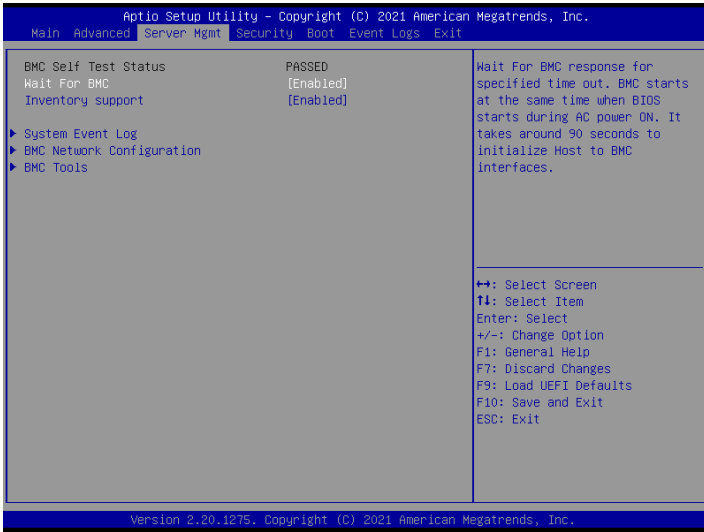


The PSP Firmware Versions displays the version information of PSP Recovery BL, PSP BootLoader, SMU FW, ABL, APCB, APDB, and APPB.

3.3.13 Instant Flash

Instant Flash is a UEFI flash utility embedded in Flash ROM. This convenient UEFI update tool allows you to update system UEFI without entering operating systems first like MS-DOS or Windows[®]. Just save the new UEFI file to your USB flash drive, floppy disk or hard drive and launch this tool, then you can update your UEFI only in a few clicks without preparing an additional floppy diskette or other complicated flash utility. Please be noted that the USB flash drive or hard drive must use FAT32/16/12 file system. If you execute Instant Flash utility, the utility will show the UEFI files and their respective information. Select the proper UEFI file to update your UEFI, and reboot your system after the UEFI update process is completed.

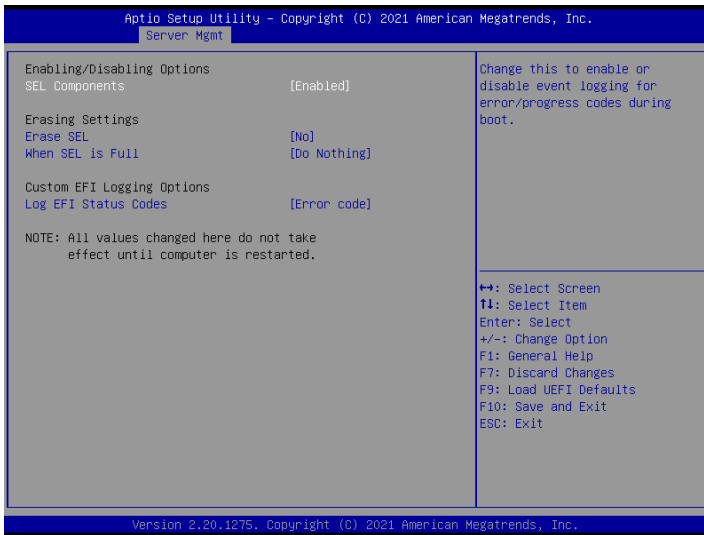
3.4 Server Mgmt



Wait For BMC

Wait For BMC response for specified time out. BMC starts at the same time when BIOS starts during AC power ON. It takes around 90 seconds to initialize Host to BMC interfaces.

3.4.1 System Event Log



SEL Components

Change this to enable or disable event logging for error/progress codes during boot.

Erase SEL

Use this to choose options for erasing SEL.

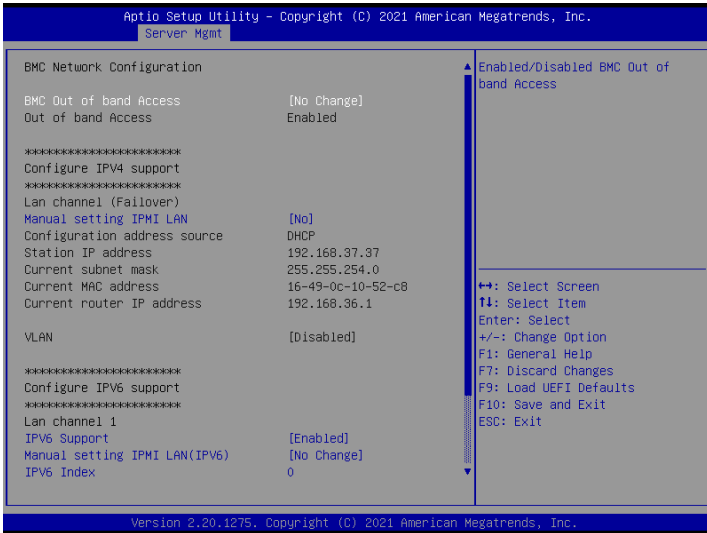
When SEL is Full

Use this to choose options for reactions to a full SEL.

Log EFI Status Codes

Use this item to disable the logging of EFI Status Codes or log only error code or only progress code or both.

3.4.2 BMC Network Configuration



BMC Out of Band Access

Enabled/Disabled BMC Out of band Access.

Lan Channel (Failover)

Manual Setting IPMI LAN

If [No] is selected, the IP address is assigned by DHCP. If you prefer using a static IP address, toggle to [Yes], and the changes take effect after the system reboots. The default value is [No].

Configuration Address Source

Select to configure BMC network parameters statically or dynamically (by BIOS or BMC). Configuration options: [Static] and [DHCP].

Static: Manually enter the IP Address, Subnet Mask and Gateway Address in the BIOS for BMC LAN channel configuration.

DHCP: IP address, Subnet Mask and Gateway Address are automatically assigned by the network's DHCP server.



When [DHCP] or [Static] is selected, do NOT modify the BMC network settings on the IPMI web page.



The default login information for the IPMI web interface is:

Username: admin

Password: admin

For more instructions on how to set up remote control environment and use the IPMI management platform, please refer to the IPMI Configuration User Guide or go to the Support website at: <http://www.asrockrack.com/support/ipmi.asp>

VLAN

Enabled/Disabled Virtual Local Area Network.

If [Enabled] is selected, configure the items below.

IPV6 Support

Enable or Disable LAN1 IPV6 Support.

Manual Setting IPMI LAN(IPV6)

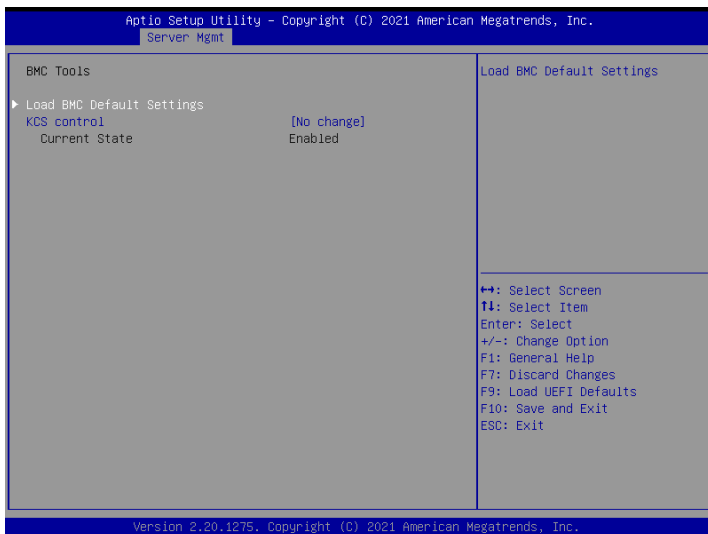
Select to configure LAN channel parameters statically or dynamically(by BIOS or BMC).

Unspecified option will not modify any BMC network parameters during BIOS phase

IPV6 Index

IPV6 Index - Set Selector for Static IP, range 0 to 15.

3.4.3 BMC Tools



Load BMC Default Settings

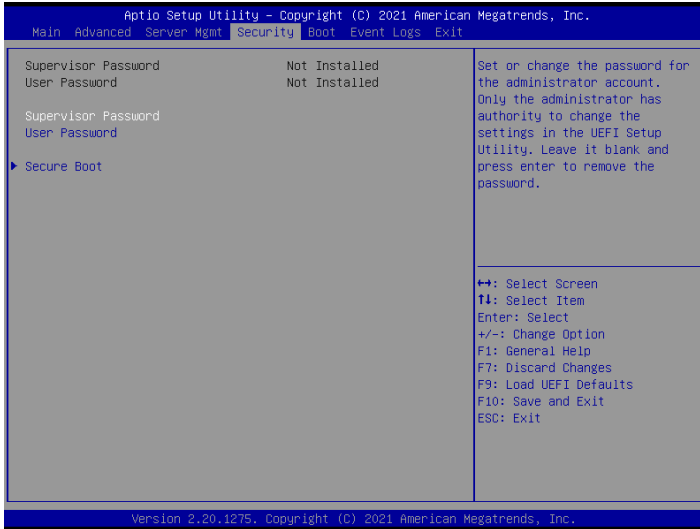
Use this item to Load BMC Default Settings.

KCS Control

Select this KCS interface state after POST end. If [Enabled] is selected, the BMC will remain KCS interface after POST stage. If [Disabled] is selected, the BMC will disable KCS interface after POST stage.

3.5 Security

In this section, you may set or change the supervisor/user password for the system. For the user password, you may also clear it.



Supervisor Password

Set or change the password for the administrator account. Only the administrator has authority to change the settings in the UEFI Setup Utility. Leave it blank and press enter to remove the password.

User Password

Set or change the password for the user account. Users are unable to change the settings in the UEFI Setup Utility. Leave it blank and press enter to remove the password.

Secure Boot

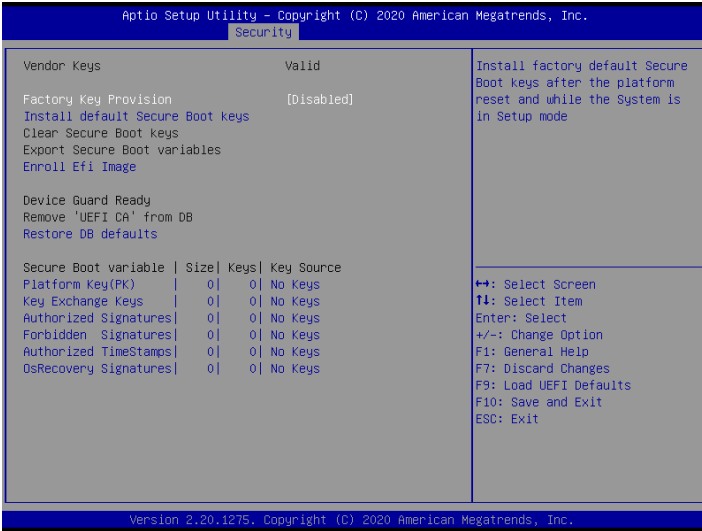
Use this to enable or disable Secure Boot Control. The default value is [Disabled]. Enable to support Windows Server 2012 R2 or later versions Secure Boot.

Secure Boot Mode

Secure Boot mode selector: Standard/Custom. In Custom mode Secure Boot Variables can be configured without authentication.

3.5.1 Key Management

In this section, expert users can modify Secure Boot Policy variables without full authentication.



Factory Key Provision

Install factory default Secure Boot keys after the platform reset and while the System is in Setup mode.

Install Default Secure Boot Keys

Please install default secure boot keys if it's the first time you use secure boot.

Enroll Efi Image

Allow the image to run in Secure Boot mode. Enroll SHA256 hash of the binary into Authorized Signature Database (db).

Restore DB defaults

Restore DB variable to factory defaults.

Platform Key(PK)

Enroll Factory Defaults or load certificates from a file:

1. Public Key Certificate in:

a) EFI_SIGNATURE_LIST

- b) EFI_CERT_X509 (DER)
 - c) EFI_CERT_RSA2048 (bin)
 - d) EFI_CERT_SHAXXX
2. Authenticated UEFI Variable
 3. EFI PE/COFF Image(SHA256)

Key Source: Default, External, Mixed

Key Exchange Keys

Enroll Factory Defaults or load certificates from a file:

1. Public Key Certificate in:
 - a) EFI_SIGNATURE_LIST
 - b) EFI_CERT_X509 (DER)
 - c) EFI_CERT_RSA2048 (bin)
 - d) EFI_CERT_SHAXXX
2. Authenticated UEFI Variable
3. EFI PE/COFF Image(SHA256)

Key Source: Default, External, Mixed

Authorized Signatures

Enroll Factory Defaults or load certificates from a file:

1. Public Key Certificate in:
 - a) EFI_SIGNATURE_LIST
 - b) EFI_CERT_X509 (DER)
 - c) EFI_CERT_RSA2048 (bin)
 - d) EFI_CERT_SHAXXX
2. Authenticated UEFI Variable
3. EFI PE/COFF Image(SHA256)

Key Source: Default, External, Mixed

Forbidden Signatures

Enroll Factory Defaults or load certificates from a file:

1. Public Key Certificate in:

- a) EFI_SIGNATURE_LIST
- b) EFI_CERT_X509 (DER)
- c) EFI_CERT_RSA2048 (bin)
- d) EFI_CERT_SHAXXX

2. Authenticated UEFI Variable

3. EFI PE/COFF Image(SHA256)

Key Source: Default, External, Mixed

Authorized TimeStamps

Enroll Factory Defaults or load certificates from a file:

1. Public Key Certificate in:

- a) EFI_SIGNATURE_LIST
- b) EFI_CERT_X509 (DER)
- c) EFI_CERT_RSA2048 (bin)
- d) EFI_CERT_SHAXXX

2. Authenticated UEFI Variable

3. EFI PE/COFF Image(SHA256)

Key Source: Default, External, Mixed

OsRecovery Signatures

Enroll Factory Defaults or load certificates from a file:

1. Public Key Certificate in:

- a) EFI_SIGNATURE_LIST
- b) EFI_CERT_X509 (DER)
- c) EFI_CERT_RSA2048 (bin)
- d) EFI_CERT_SHAXXX

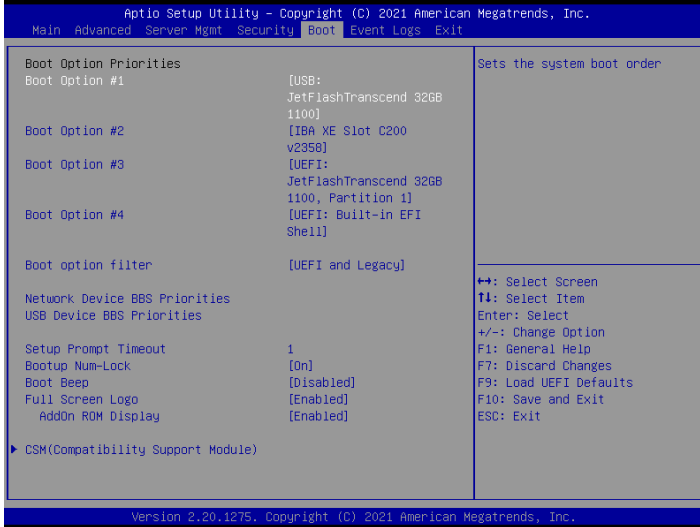
2. Authenticated UEFI Variable

3. EFI PE/COFF Image(SHA256)

Key Source: Default, External, Mixed

3.6 Boot Screen

In this section, it will display the available devices on your system for you to configure the boot settings and the boot priority.



Boot Option #1

Use this item to set the system boot order.

Boot Option #2

Use this item to set the system boot order.

Boot Option #3

Use this item to set the system boot order.

Boot Option #4

Use this item to set the system boot order.

Boot Option Filter

This option controls Legacy/UEFI ROMs priority.

Network Device BBS Priorities

Use this item to set the boot priorities for network devices.

USB Device BBS Priorities

Use this item to set the boot priorities for USB devices.

Setup Prompt Timeout

Configure the number of seconds to wait for the UEFI setup utility.

Bootup Num-Lock

If this item is set to [On], it will automatically activate the Numeric Lock function after boot-up.

Boot Beep

Select whether the Boot Beep should be turned on or off when the system boots up. Please note that a buzzer is needed.

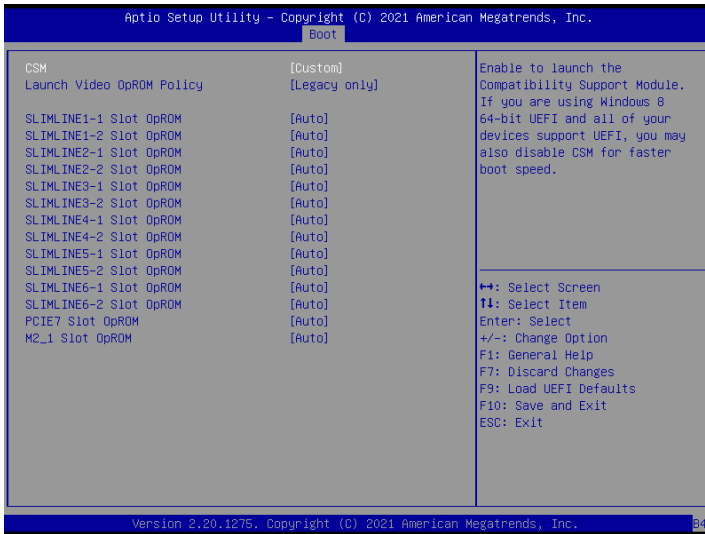
Full Screen Logo

Use this item to enable or disable OEM Logo. The default value is [Enabled].

AddOn ROM Display

Use this option to adjust AddOn ROM Display. If you enable the option “Full Screen Logo” but you want to see the AddOn ROM information when the system boots, please select [Enabled]. Configuration options: [Enabled] and [Disabled]. The default value is [Enabled].

3.6.1 CSM Parameters



CSM

Enable to launch the Compatibility Support Module. Please do not disable unless you're running a WHCK test. If you are using Windows Server 2012 R2 or later versions 64-bit UEFI and all of your devices support UEFI, you may also disable CSM for faster boot speed.

Launch Video OpROM Policy

Select UEFI only to run those that support UEFI option ROM only. Select Legacy only to run those that support legacy option ROM only. Select Do not launch to not execute both legacy and UEFI option ROM.

SLIMLINE1-1 Slot OpROM

Use this item to select slot storage and Network Option ROM policy. In Auto option, the default is Disabled with NVMe device, but it is Legacy with other devices. (This item can't select Video Option ROM policy.)

SLIMLINE1-2 Slot OpROM

Use this item to select slot storage and Network Option ROM policy. In Auto option, the default is Disabled with NVMe device, but it is Legacy with other devices. (This item can't select Video Option ROM policy.)

SLIMLINE2-1 Slot OpROM

Use this item to select slot storage and Network Option ROM policy. In Auto option, the default is Disabled with NVMe device, but it is Legacy with other devices. (This item can't select Video Option ROM policy.)

SLIMLINE2-2 Slot OpROM

Use this item to select slot storage and Network Option ROM policy. In Auto option, the default is Disabled with NVMe device, but it is Legacy with other devices. (This item can't select Video Option ROM policy.)

SLIMLINE3-1 Slot OpROM

Use this item to select slot storage and Network Option ROM policy. In Auto option, the default is Disabled with NVMe device, but it is Legacy with other devices. (This item can't select Video Option ROM policy.)

SLIMLINE3-2 Slot OpROM

Use this item to select slot storage and Network Option ROM policy. In Auto option, the default is Disabled with NVMe device, but it is Legacy with other devices. (This item can't select Video Option ROM policy.)

SLIMLINE4-1 Slot OpROM

Use this item to select slot storage and Network Option ROM policy. In Auto option, the default is Disabled with NVMe device, but it is Legacy with other devices. (This item can't select Video Option ROM policy.)

SLIMLINE4-2 Slot OpROM

Use this item to select slot storage and Network Option ROM policy. In Auto option, the default is Disabled with NVMe device, but it is Legacy with other devices. (This item can't select Video Option ROM policy.)

SLIMLINE5-1 Slot OpROM

Use this item to select slot storage and Network Option ROM policy. In Auto option, the default is Disabled with NVMe device, but it is Legacy with other devices. (This item can't select Video Option ROM policy.)

SLIMLINE5-2 Slot OpROM

Use this item to select slot storage and Network Option ROM policy. In Auto option, the default is Disabled with NVMe device, but it is Legacy with other devices. (This item can't select Video Option ROM policy.)

SLIMLINE6-1 Slot OpROM

Use this item to select slot storage and Network Option ROM policy. In Auto option, the default is Disabled with NVMe device, but it is Legacy with other devices. (This item can't select Video Option ROM policy.)

SLIMLINE6-2 Slot OpROM

Use this item to select slot storage and Network Option ROM policy. In Auto option, the default is Disabled with NVMe device, but it is Legacy with other devices. (This item can't select Video Option ROM policy.)

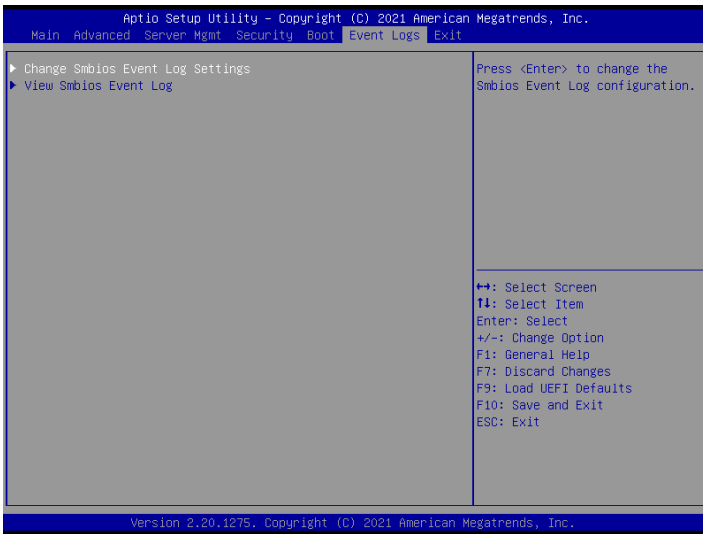
PCIE7 Slot OpROM

Use this item to select slot storage and Network Option ROM policy. In Auto option, the default is Disabled with NVMe device, but it is Legacy with other devices. (This item can't select Video Option ROM policy.)

M2_1 Slot OpROM

Use this item to select slot storage and Network Option ROM policy. In Auto option, the default is Disabled with NVMe device, but it is Legacy with other devices. (This item can't select Video Option ROM policy.)

3.7 Event Logs



Change Smbios Event Log Settings

This allows you to configure the Smbios Event Log Settings.

When entering the item, you will see the followings:

Smbios Event Log

Use this item to enable or disable all features of the SMBIOS Event Logging during system boot.

Erase Event Log

The options include [No], [Yes, Next reset] and [Yes, Every reset]. If Yes is selected, all logged events will be erased.

When Log is Full

Use this item to choose options for reactions to a full Smbios Event Log. The options include [Do Nothing] and [Erase Immediately].

Log System Boot Event

Choose option to enable/disable logging of System boot event.

MECI (Multiple Event Count Increment)

Use this item to enter the increment value for the multiple event counter. The valid range is from 1 to 255.

METW (Multiple Event Time Window)

Use this item to specify the number of minutes which must pass between duplicate log

entries which utilize a multiple-event counter. The value ranges from 0 to 99 minutes.

Log EFI Status Code

Enable or disable the logging of EFI Status Codes as OEM reserved type E0 (if not already converted to legacy).

Convert EFI Status Codes to Standard Smbios Type

Enable or disable the converting of EFI Status Codes to Standard Smbios Types (Not all may be translated).

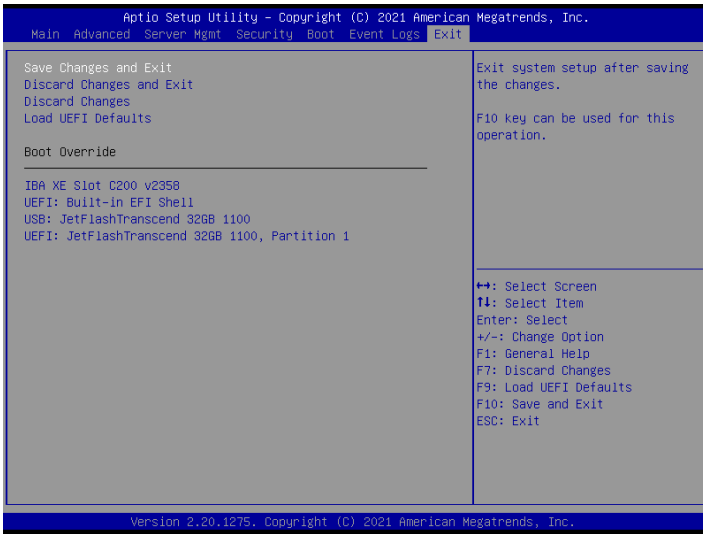
View Smbios Event Log

Press <Enter> to view the Smbios Event Log records.



All values changed here do not take effect until computer is restarted.

3.8 Exit Screen



Save Changes and Exit

When you select this option, the following message “Save configuration changes and exit setup?” will pop-out. Press <F10> key or select [Yes] to save the changes and exit the UEFI SETUP UTILITY.

Discard Changes and Exit

When you select this option, the following message “Discard changes and exit setup?” will pop-out. Press <ESC> key or select [Yes] to exit the UEFI SETUP UTILITY without saving any changes.

Discard Changes

When you select this option, the following message “Discard changes?” will pop-out. Press <F7> key or select [Yes] to discard all changes.

Load UEFI Defaults

Load UEFI default values for all the setup questions. F9 key can be used for this operation.

Boot Override

These items displays the available devices. Select an item to start booting from the selected device.

Chapter 4 Software Support

4.1 Install Operating System

This motherboard supports various Microsoft® Windows® Server / Linux compliant. Because motherboard settings and hardware options vary, use the setup procedures in this chapter for general reference only. Refer to your OS documentation for more information.

4.2 Support CD Information

The Support CD that came with the motherboard contains necessary drivers and useful utilities that enhance the motherboard's features.

4.2.1 Running The Support CD

To begin using the support CD, insert the CD into your CD-ROM drive. The CD automatically displays the Main Menu if "AUTORUN" is enabled in your computer. If the Main Menu does not appear automatically, locate and double click on the file "ASRSetup.exe" from the root folder in the Support CD to display the menu.

4.2.2 Drivers Menu

The Drivers Menu shows the available device's drivers if the system detects installed devices. Please install the necessary drivers to activate the devices.

4.2.3 Utilities Menu

The Utilities Menu shows the application softwares that the motherboard supports. Click on a specific item then follow the installation wizard to install it.

4.2.4 Contact Information

If you need to contact ASRock Rack or want to know more about ASRock Rack, welcome to visit ASRock Rack's website at <http://www.ASRockRack.com>; or you may contact your dealer for further information.

Chapter 5 Troubleshooting

5.1 Troubleshooting Procedures

Follow the procedures below to troubleshoot your system.



Always unplug the power cord before adding, removing or changing any hardware components. Failure to do so may cause physical injuries to you and damages to motherboard components.

1. Disconnect the power cable and check whether the PWR LED is off.
2. Unplug all cables, connectors and remove all add-on cards from the motherboard. Make sure that the jumpers are set to default settings.
3. Confirm that there are no short circuits between the motherboard and the chassis.
4. Install a CPU and fan on the motherboard, then connect the chassis speaker and power LED.

If there is no power...

1. Confirm that there are no short circuits between the motherboard and the chassis.
2. Make sure that the jumpers are set to default settings.
3. Check the settings of the 115V/230V switch on the power supply.
4. Verify if the battery on the motherboard provides ~3VDC. Install a new battery if it does not.

If there is no video...

1. Try replugging the monitor cables and power cord.
2. Check for memory errors.

If there are memory errors...

1. Verify that the DIMM modules are properly seated in the slots.
2. Use recommended DDR4 R/LRDIMMs.
3. If you have installed more than one DIMM modules, they should be identical with the same brand, speed, size and chip-type.
4. Try inserting different DIMM modules into different slots to identify faulty ones.
5. Check the settings of the 115V/230V switch on the power supply.

Unable to save system setup configurations...

1. Verify if the battery on the motherboard provides ~3VDC. Install a new battery if it does not.
2. Confirm whether your power supply provides adequate and stable power.

Other problems...

1. Try searching keywords related to your problem on ASRock Rack's FAQ page:
<http://www.asrockrack.com/support>

5.2 Technical Support Procedures

If you have tried the troubleshooting procedures mentioned above and the problems are still unsolved, please contact ASRock Rack's technical support with the following information:

1. Your contact information
2. Model name, BIOS version and problem type.
3. System configuration.
4. Problem description.

You may contact ASRock Rack's technical support at:
<http://www.asrockrack.com/support/tsd.asp>

5.3 Returning Merchandise for Service

For warranty service, the receipt or a copy of your invoice marked with the date of purchase is required. By calling your vendor or going to our RMA website (<http://event.asrockrack.com/tsd.asp>) you may obtain a Returned Merchandise Authorization (RMA) number.

The RMA number should be displayed on the outside of the shipping carton which is mailed prepaid or hand-carried when you return the motherboard to the manufacturer. Shipping and handling charges will be applied for all orders that must be mailed when service is complete.

This warranty does not cover damages incurred in shipping or from failure due to alteration, misuse, abuse or improper maintenance of products.

Contact your distributor first for any product related problems during the warranty period.