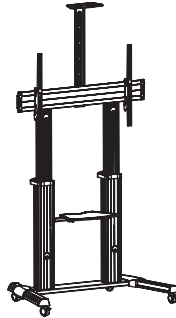


Owner's Manual

Heavy-Duty Mobile Flat-Panel Floor Stand

Model: DMCS60100XX



PROTECT YOUR INVESTMENT!

Register your product for quicker service and ultimate peace of mind.
You could also win an ISOBAR6ULTRA surge protector—a \$100 value!

www.tripplite.com/warranty



CAUTION: DO NOT EXCEED MAXIMUM LISTED WEIGHT CAPACITY. SERIOUS INJURY OR PROPERTY DAMAGE MAY OCCUR!



200 x 200 / 300 x 300 /
400 x 200 / 400 x 400 /
600 x 400 / 800 x 400 /
800 x 600 / 1000 x 600



100"
MAX



TV
220 lb.
(100 kg)
MAX



DVD
11 lb.
(5 kg)
MAX



CAMERA
11 lb.
(5 kg)
MAX

Este manual esta disponible en español en la página de Tripp Lite: www.tripplite.com

Ce manuel est disponible en français sur le site Web de Tripp Lite : www.tripplite.com

Русскоязычная версия настоящего руководства представлена на веб-сайте компании
Tripp Lite по адресу: www.tripplite.com

Dieses Handbuch ist in deutscher Sprache auf der Tripp Lite-Website verfügbar: www.tripplite.com

TRIPP·LITE



1111 W. 35th Street, Chicago, IL 60609 USA • www.tripplite.com/support

Copyright © 2018 Tripp Lite. All rights reserved.

NOTE: Read the entire instruction manual before you start assembly and installation.

WARNING

- Do not begin the installation until you have read and understood the instructions and warnings contained in this manual. If you have any questions regarding any of the instructions or warnings, please visit www.triplite.com/support
- This mounting bracket was designed to be installed and utilized ONLY as specified in this manual. Improper installation of this product may cause damage or serious injury.
- This product should only be installed by someone of good mechanical ability, with basic building experience and a full understanding of this instruction manual.
- Make sure that the mounting surface can safely support the combined load of the equipment and all attached hardware and components.
- Always use an assistant or mechanical lifting equipment to safely lift and position equipment.
- Tighten screws firmly, but do not over-tighten. Over-tightening screws can damage the items, greatly reducing their holding power.
- This product is intended for indoor use only. Using this product outdoors could lead to product failure and personal injury.

Warranty & Product Registration

5-Year Limited Warranty

Seller warrants this product, if used in accordance with all applicable instructions, to be free from original defects in material and workmanship for a period of 5 years from the date of initial purchase. If the product should prove defective in material or workmanship within that period, Seller will repair or replace the product, in its sole discretion.

THIS WARRANTY DOES NOT APPLY TO NORMAL WEAR OR TO DAMAGE RESULTING FROM ACCIDENT, MISUSE, ABUSE OR NEGLIGENCE. SELLER MAKES NO EXPRESS WARRANTIES OTHER THAN THE WARRANTY EXPRESSLY SET FORTH HEREIN. EXCEPT TO THE EXTENT PROHIBITED BY APPLICABLE LAW, ALL IMPLIED WARRANTIES, INCLUDING ALL WARRANTIES OF MERCHANTABILITY OR FITNESS, ARE LIMITED IN DURATION TO THE WARRANTY PERIOD SET FORTH ABOVE; AND THIS WARRANTY EXPRESSLY EXCLUDES ALL INCIDENTAL AND CONSEQUENTIAL DAMAGES. (Some states do not allow limitations on how long an implied warranty lasts, and some states do not allow the exclusion or limitation of incidental or consequential damages, so the above limitations or exclusions may not apply to you. This warranty gives you specific legal rights, and you may have other rights which vary from jurisdiction to jurisdiction).

WARNING: The individual user should take care to determine prior to use whether this device is suitable, adequate or safe for the use intended. Since individual applications are subject to great variation, the manufacturer makes no representation or warranty as to the suitability or fitness of these devices for any specific application.

PRODUCT REGISTRATION

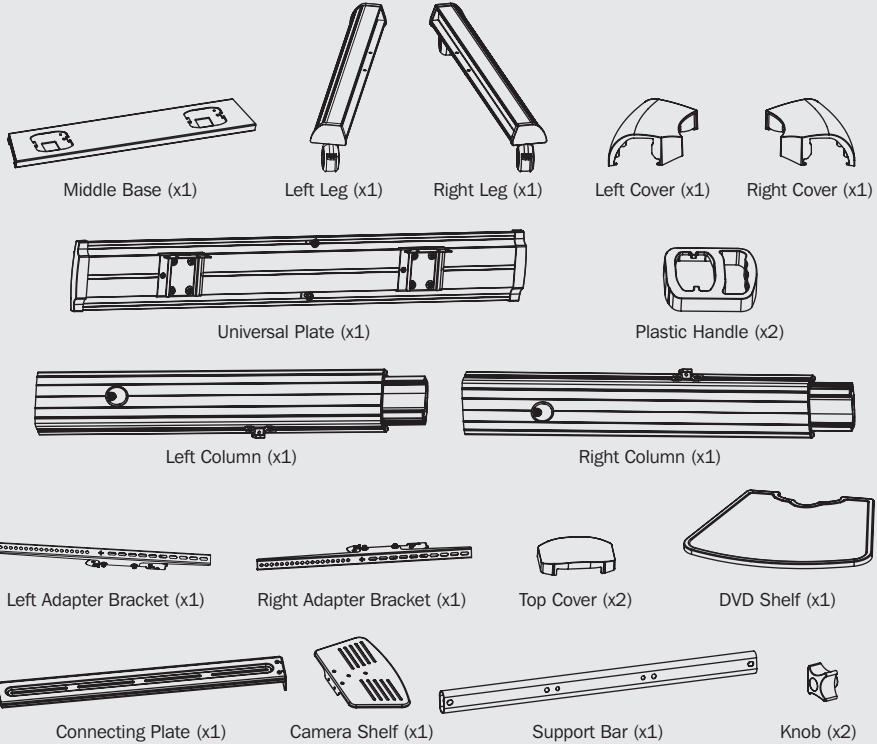
Visit www.triplite.com/warranty today to register your new Tripp Lite product. You'll be automatically entered into a drawing for a chance to win a FREE Tripp Lite product!*

* No purchase necessary. Void where prohibited. Some restrictions apply. See website for details.

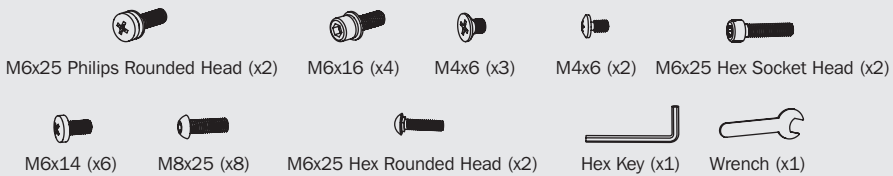
Tripp Lite has a policy of continuous improvement. Specifications are subject to change without notice.

Component Checklist

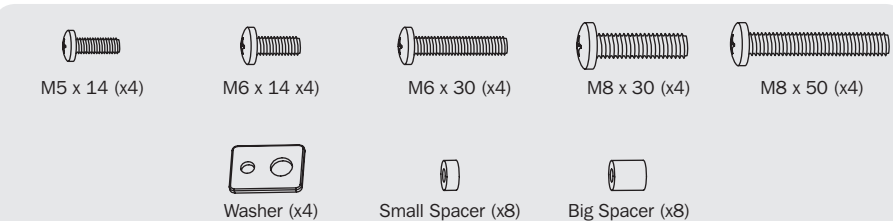
IMPORTANT: Ensure that you have received all parts according to the component checklist prior to installing. If any parts are missing or faulty, visit www.triplite.com/support for service.



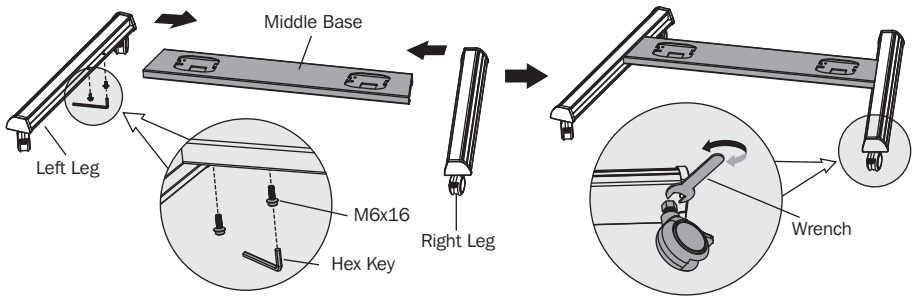
Package P



Package M



1. Assembling the Base

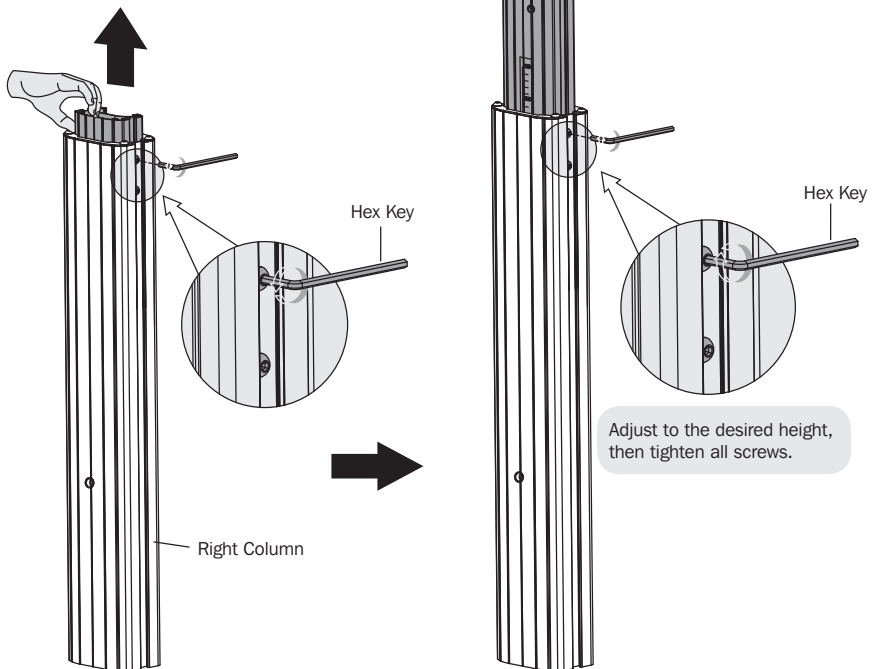


- Insert the right leg into the base. Align the holes in the right leg to the holes in the base. Secure with the screws. Repeat this step for the left leg.
- Each caster can be adjusted independently for fine tuning. Slightly turn the nut to lower or raise the base.

2. Adjust Column Height



CAUTION: Hold the inner column when loosening the screws to adjust height.



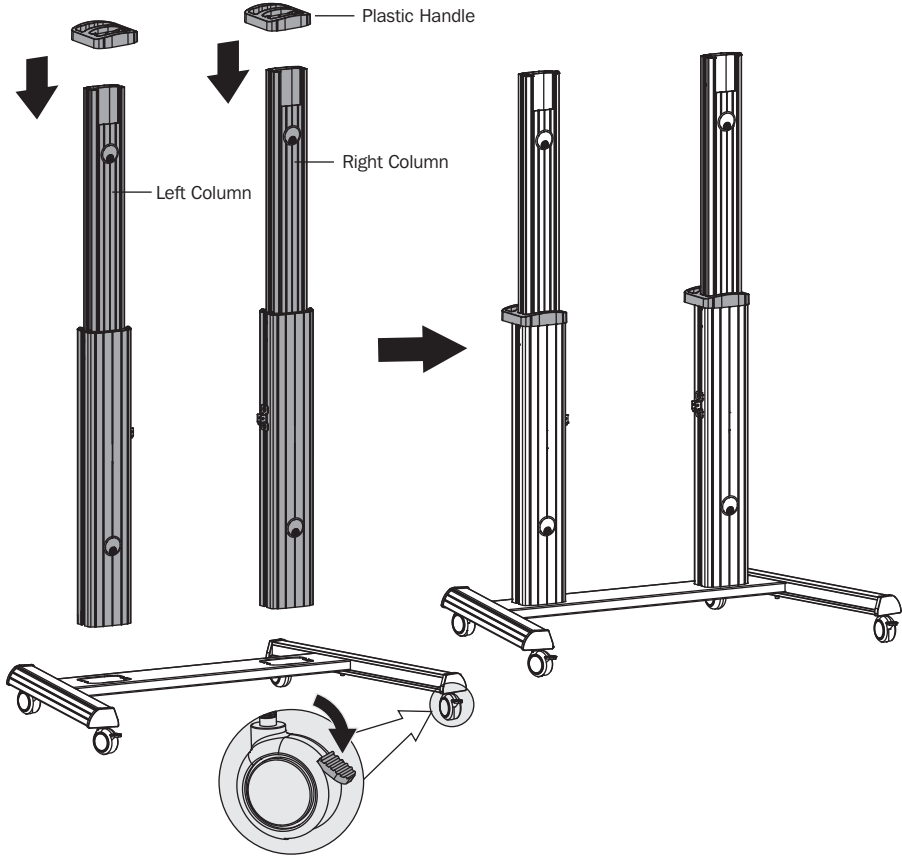
Repeat this step for the left column.

Note: Make sure both columns are at the same height using the height indicator as guide.

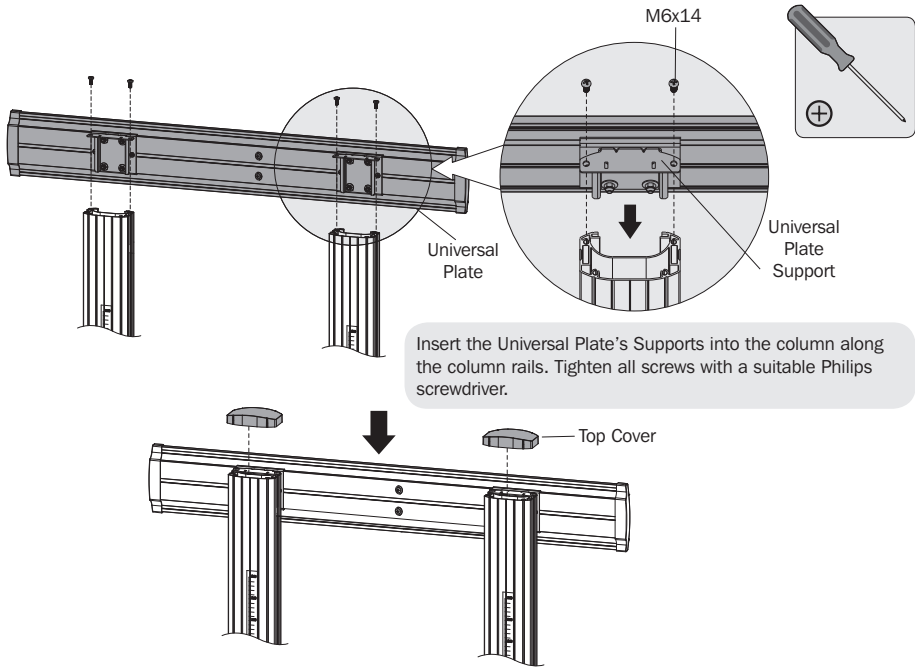
3. Attach Columns to Base



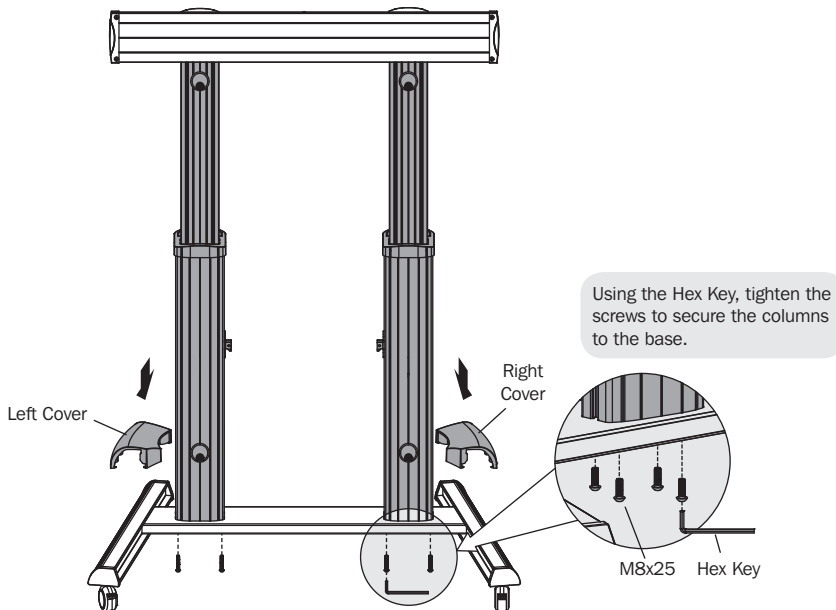
During this step, the columns are not secured to the base with screws.
Be careful not to knock the columns over.



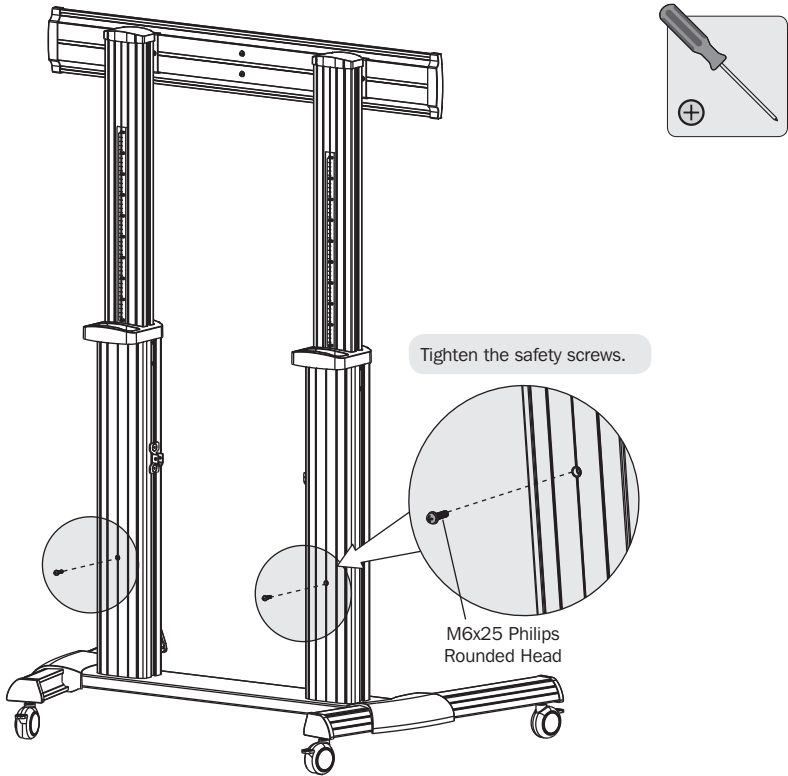
4. Attach Universal Plate to Columns



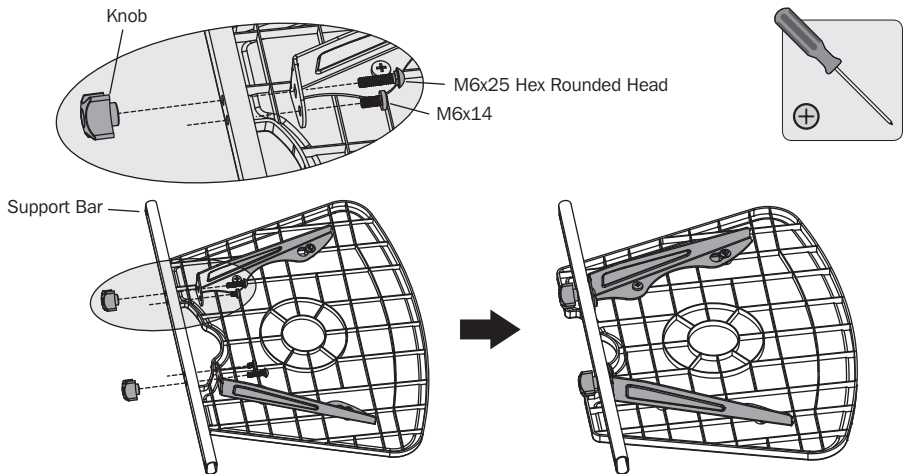
5. Secure Columns to Base



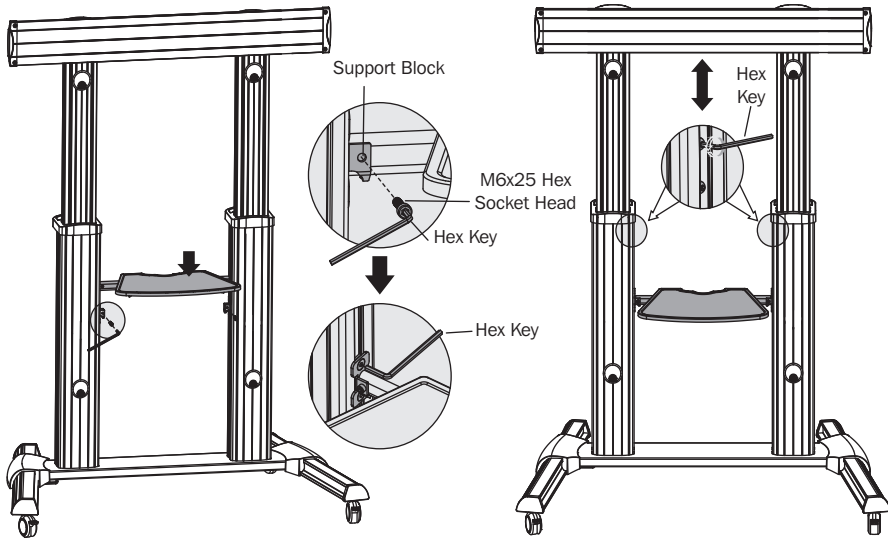
5. Secure Columns to Base



6. Assemble the DVD Shelf



7. Attach DVD Shelf to Columns

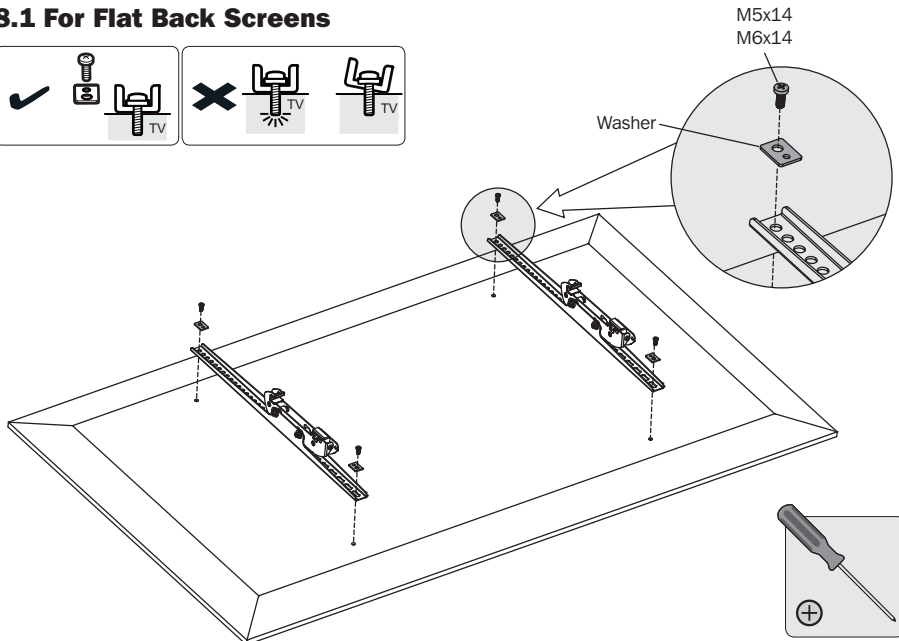


Use the Hex Key and screws to secure the DVD Shelf Assembly to the Columns' Support Blocks.

Adjust the Columns to the desired height before installing the display.

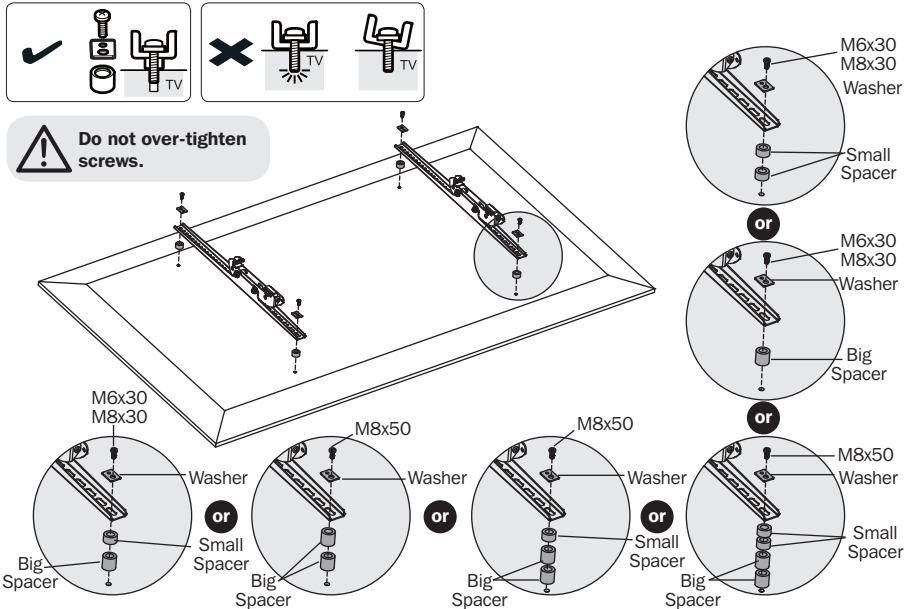
8. Attach Adapter Brackets to Display

8.1 For Flat Back Screens



8. Attach Adapter Brackets to Display

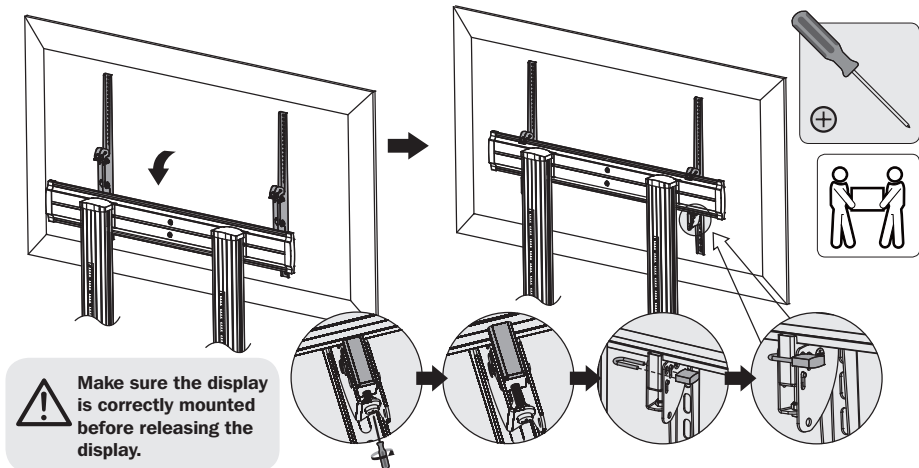
8.2 For Recessed Back Screens or Access to A/V Inputs



- Choose the appropriate screws, washers and spacers (if necessary) according to the type of screen.

- Position the adapter brackets as close as possible to the center of the display.
- Screw the adapter brackets onto the display.

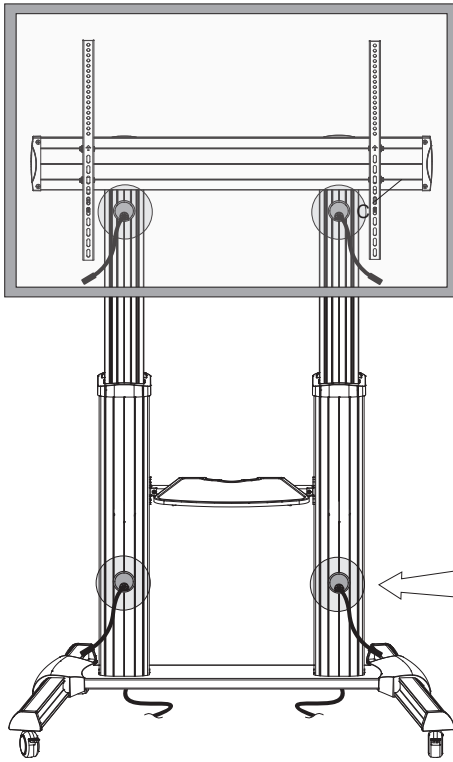
9. Hang the Display onto the Universal Plate



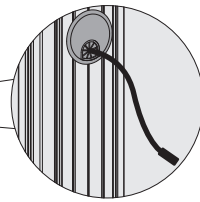
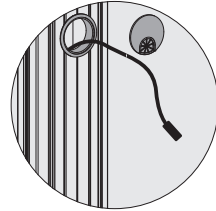
- Hook the adapter brackets (attached to the display) onto the universal plate.
- Rotate the bottom screws counterclockwise to lock.

- Rotate the bottom screws clockwise to unlock.
- Use a padlock (not included) to prevent display from being stolen.

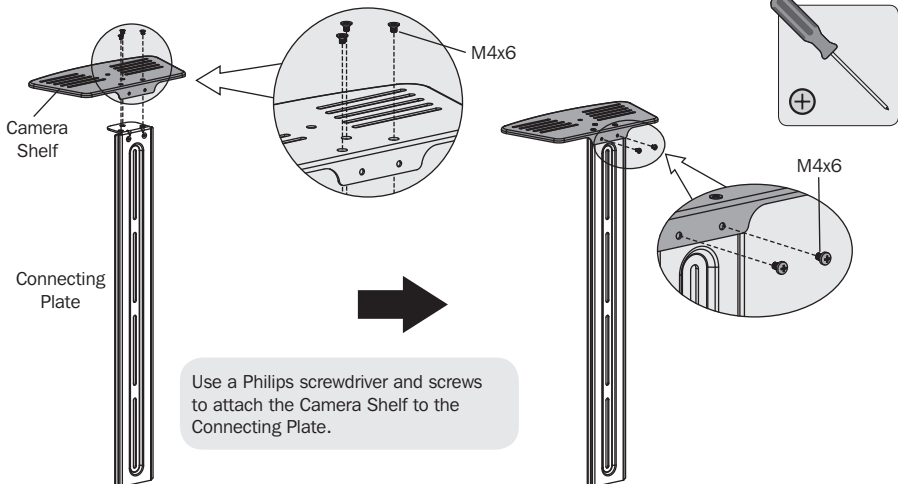
10. Cable Management



Route the power and connection cables through the openings on the Left and Right Columns.

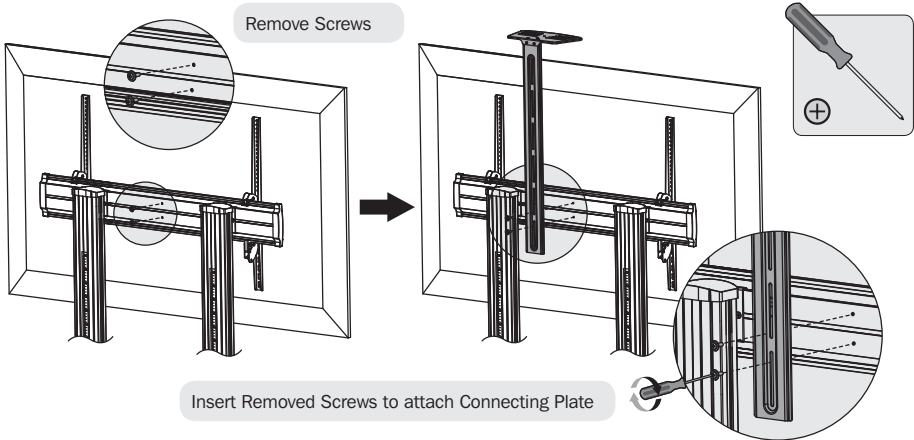


11. Assemble the Camera Shelf

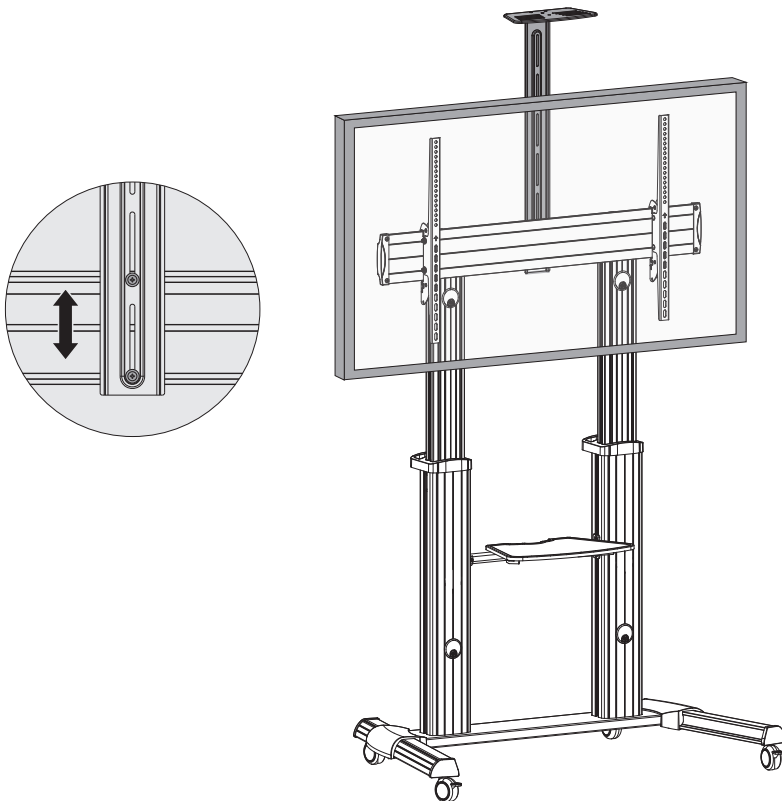


Use a Philips screwdriver and screws to attach the Camera Shelf to the Connecting Plate.

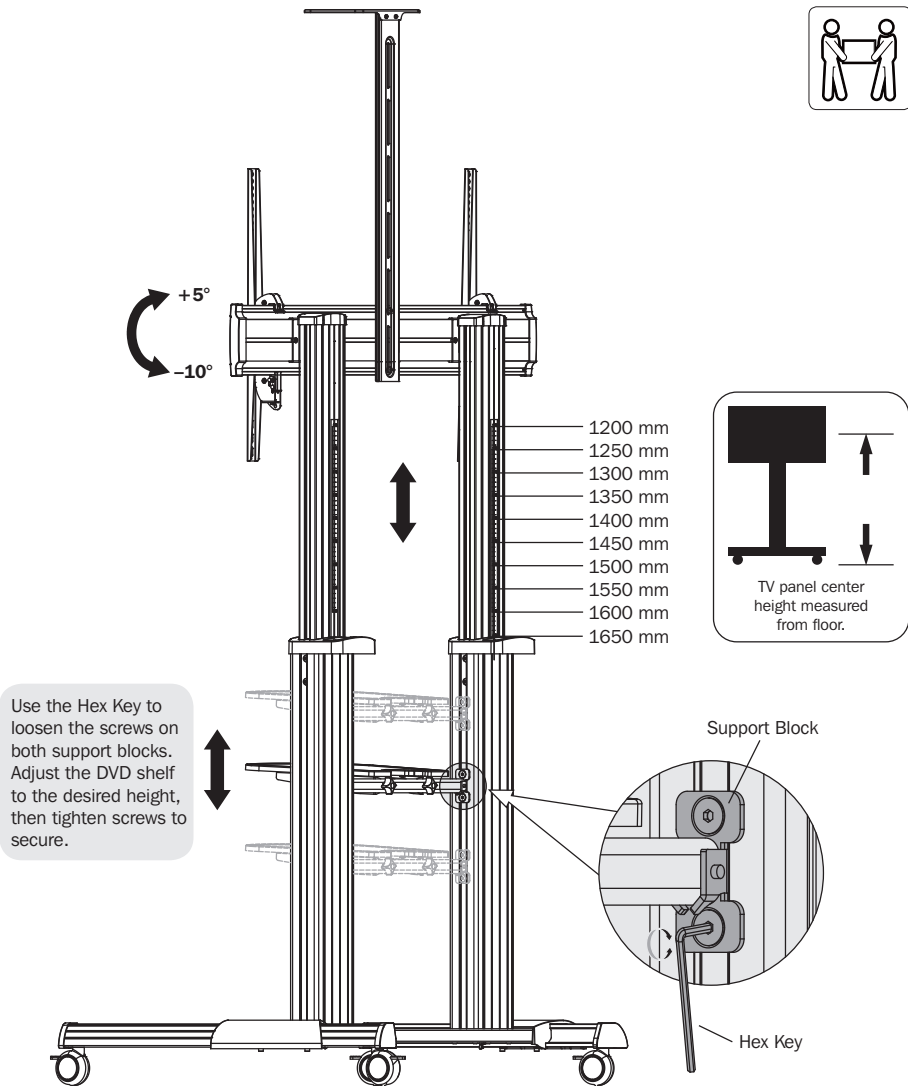
12. Attach the Camera Shelf Assembly to the Universal Plate



Remove the Universal Plate's two rear screws, then attach the Camera Shelf Assembly using the same screws just removed. Adjust the Camera Shelf Assembly to the desired height, then secure by tightening the screws with a Philips screwdriver.



13. Adjustment



Maintenance

- Check that the bracket is secure and safe to use at regular intervals (at least every three months).
- For any additional questions, visit www.tripplite.com/support.

TRIPP-LITE



Manufacturing
Excellence

1111 W. 35th Street, Chicago, IL 60609 USA • www.tripplite.com/support