



Quick Installation Guide

Belkin Secure Modular KVM/KM Switch Under Desk Mounting Bracket Guide

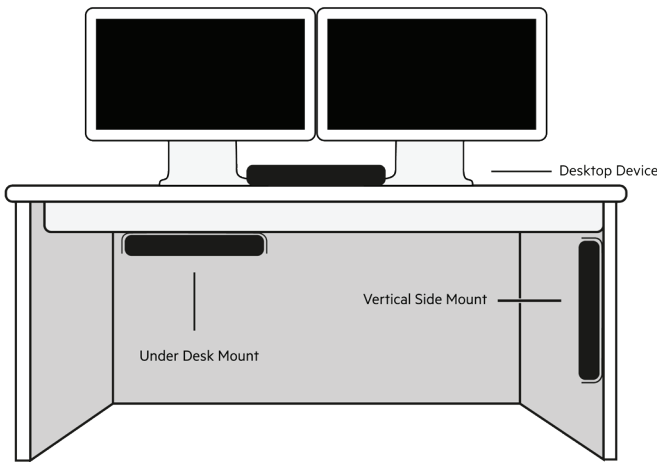
The Belkin Secure Modular KVM/KM Switch Under Desk Mounting Bracket is designed for quick deployment and attaches to the KVM/KM via tension to two 90 degree brackets. There are no screws required to fasten the KVM/KM to the bracket. The unit can be secured using the included cable ties around each or several host and console cables. In addition, each cable that attaches to the KVM/KM comes with Velcro tie wraps that can be used to secure the unit to the mount and signify the enclave connected by color. See illustration 1 for full details.

Included Contents:

- Under Desk Mounting Bracket
- Screw - 6 x 3/8" Hex Washer Head Phillips Steel Qty 6
- Drill Template
- Cable Tie 3.2x140mm Nylon Black Qty 8
- 1 QIG (Quick Installation Guide)

Pre-Installation Guidelines

- Determine where you will be mounting the bracket and the orientation of the bracket. (see below)



KVM Mounting Options

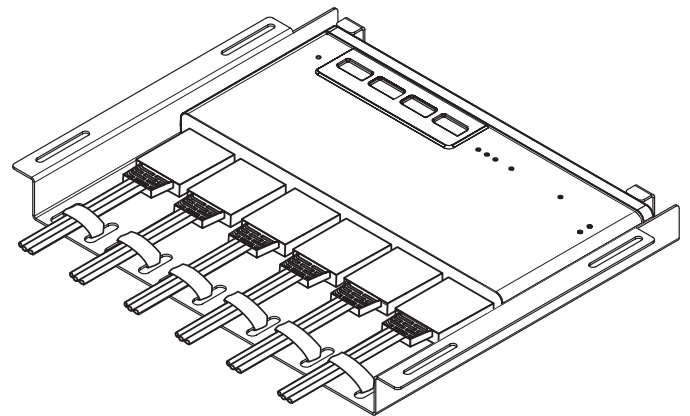


Illustration 1

- Ensure the bracket will be installed on a flat, clean, and dry surface. This bracket is not intended for **exposed outdoor installation**.
- Ensure that maximum distance between the KVM/KM bracket and each computer does not exceed your **cabling lengths**.
- Ensure that the keyboard, mouse, and display cables will reach the mounted KVM/KM.
- Ensure that once the mount is installed the keyboard, mouse, and remote control can be inserted.
- Ensure that the KVM/KM included remote control buttons are easily visible and accessible by the intended user and the cable length is not exceeded.



Installation

1. Using the included template determine the location for the mount to be located and mark/drill starter mounting holes.
2. Attach the Power Connector (mains disconnected) and all Host and Console cables required to the KVM/KM unit.
3. Slide the unit with Power Connector and Host/Console cables into the mount with the cables facing the tie wrap slots.
4. The unit can be secured using the included cable ties around each or several host and console cables. In addition, using tie wraps provided with the cables, secure each cable to the mount (multiple colors are included to allow for an easy recognition of the enclave connected).
5. Screw the bracket to the desk using 4 of the screws provided. Or use other non-provided hardware as required.
6. Attach the Keyboard, Mouse, and optional (included) Remote Control to the KVM/KM unit.
7. Once installed, follow the power up instructions provide with the KVM/KM unit as required.

