



ExtremeWireless™ Access Point AP302W

Installation Guide

9036815-00 Rev AA
February 2021



Copyright © 2021 Extreme Networks, Inc. All rights reserved.

Legal Notice

Extreme Networks, Inc. reserves the right to make changes in specifications and other information contained in this document and its website without prior notice. The reader should in all cases consult representatives of Extreme Networks to determine whether any such changes have been made.

The hardware, firmware, software or any specifications described or referred to in this document are subject to change without notice.

Trademarks

Extreme Networks and the Extreme Networks logo are trademarks or registered trademarks of Extreme Networks, Inc. in the United States and/or other countries.

All other names (including any product names) mentioned in this document are the property of their respective owners and may be trademarks or registered trademarks of their respective companies/owners.

For additional information on Extreme Networks trademarks, see: www.extremenetworks.com/company/legal/trademarks

Open Source Declarations

Some software files have been licensed under certain open source or third-party licenses. End-user license agreements and open source declarations can be found at: <https://www.extremenetworks.com/support/policies/open-source-declaration/>



Table of Contents

Preface.....	5
Text Conventions.....	5
Documentation and Training.....	6
Getting Help.....	7
Subscribe to Service Notifications.....	7
Providing Feedback.....	7
AP302W Overview.....	9
AP302W Features.....	10
AP302W Power Source.....	15
Status LED Activity and Light Sensor.....	15
Install the Access Point.....	16
Access Point and Accessory Box Contents and Order Information.....	16
Access point box contents.....	16
ACC-BKT-AX-WP-SPARE accessory bag contents.....	17
ACC-BKT-AX-WP-EXT accessory bag contents.....	17
ACC-BKT-AX-WP-DSKSTD accessory bag contents.....	18
Access Point Mounting Bracket and Accessory Usage.....	18
Install the Access Point on a Wall.....	19
Install the Access Point on a Wall Using the ACC-BKT-AX-WP-EXT Accessory.....	23
Install the Access Point on a USA Model Junction Box Using the Stainless-Steel Bracket.....	25
Install the Access Point on a EU Model Junction Box Using the ACC-BKT-AX-WP- EXT Accessory.....	27
Install the Access Point on a Desk Stand.....	31
GE and Console Connections.....	35
Internal Antenna Configuration.....	36
Specifications.....	37
Regulatory and Compliance Information.....	38
Safety Guidelines.....	38
Maximum Permissible Exposure (MPE) Statement for Mobile Devices.....	39
FCC Declaration of Conformity Statement.....	39
FCC Caution.....	39
Industry Canada Notice.....	40
Australia Notice.....	41
AU co-location MPE Statement.....	41
Japan Indoor Use Statement.....	41
Brazil Agência Nacional De Telecomunicações (Anatel) Statement.....	41
Hazardous Substances.....	41

Supplement to Product Instructions.....	42
National Communications Commission (NCC) Statement.....	42
CE Information.....	43
All Operational Modes.....	43
European Waste Electrical and Electronic Equipment (WEEE) Notice.....	43
Declaration of Conformity in Languages of the European Community.....	44
Index.....	47



Preface

This section describes the text conventions used in this document, where you can find additional information, and how you can provide feedback to us.

Text Conventions

Unless otherwise noted, information in this document applies to all supported environments for the products in question. Exceptions, like command keywords associated with a specific software version, are identified in the text.

When a feature, function, or operation pertains to a specific hardware product, the product name is used. When features, functions, and operations are the same across an entire product family, such as ExtremeSwitching switches or SLX routers, the product is referred to as *the switch* or *the router*.

Table 1: Notes and warnings






Icon	Notice type	Alerts you to...
	Tip	Helpful tips and notices for using the product
	Note	Useful information or instructions
	Important	Important features or instructions
	Caution	Risk of personal injury, system damage, or loss of data
	Warning	Risk of severe personal injury

Table 2: Text

Convention	Description
screen displays	This typeface indicates command syntax, or represents information as it is displayed on the screen.
The words <i>enter</i> and <i>type</i>	When you see the word <i>enter</i> in this guide, you must type something, and then press the Return or Enter key. Do not press the Return or Enter key when an instruction simply says <i>type</i> .
Key names	Key names are written in boldface, for example Ctrl or Esc . If you must press two or more keys simultaneously, the key names are linked with a plus sign (+). Example: Press Ctrl+Alt+Del
Words in italicized type	Italics emphasize a point or denote new terms at the place where they are defined in the text. Italics are also used when referring to publication titles.
NEW!	New information. In a PDF, this is searchable text.

Table 3: Command syntax

Convention	Description
bold text	Bold text indicates command names, keywords, and command options.
<i>italic</i> text	Italic text indicates variable content.
[]	Syntax components displayed within square brackets are optional. Default responses to system prompts are enclosed in square brackets.
{ x y z }	A choice of required parameters is enclosed in curly brackets separated by vertical bars. You must select one of the options.
x y	A vertical bar separates mutually exclusive elements.
< >	Nonprinting characters, such as passwords, are enclosed in angle brackets.
...	Repeat the previous element, for example, <i>member</i> [<i>member</i> ...].
\	In command examples, the backslash indicates a “soft” line break. When a backslash separates two lines of a command input, enter the entire command at the prompt without the backslash.

Documentation and Training

Find Extreme Networks product information at the following locations:

[Current Product Documentation](#)

[Release Notes](#)

[Hardware and software compatibility](#) for Extreme Networks products

[Extreme Optics Compatibility](#)

[Other resources](#) such as white papers, data sheets, and case studies

Extreme Networks offers product training courses, both online and in person, as well as specialized certifications. For details, visit www.extremenetworks.com/education/.

Getting Help

If you require assistance, contact Extreme Networks using one of the following methods:

Extreme Portal

Search the GTAC (Global Technical Assistance Center) knowledge base; manage support cases and service contracts; download software; and obtain product licensing, training, and certifications.

The Hub

A forum for Extreme Networks customers to connect with one another, answer questions, and share ideas and feedback. This community is monitored by Extreme Networks employees, but is not intended to replace specific guidance from GTAC.

Call GTAC

For immediate support: (800) 998 2408 (toll-free in U.S. and Canada) or 1 (408) 579 2826. For the support phone number in your country, visit: www.extremenetworks.com/support/contact

Before contacting Extreme Networks for technical support, have the following information ready:

- Your Extreme Networks service contract number, or serial numbers for all involved Extreme Networks products
- A description of the failure
- A description of any actions already taken to resolve the problem
- A description of your network environment (such as layout, cable type, other relevant environmental information)
- Network load at the time of trouble (if known)
- The device history (for example, if you have returned the device before, or if this is a recurring problem)
- Any related RMA (Return Material Authorization) numbers

Subscribe to Service Notifications

You can subscribe to email notifications for product and software release announcements, Vulnerability Notices, and Service Notifications.

1. Go to www.extremenetworks.com/support/service-notification-form.
2. Complete the form (all fields are required).
3. Select the products for which you would like to receive notifications.



Note

You can modify your product selections or unsubscribe at any time.

4. Select **Submit**.

Providing Feedback

The Information Development team at Extreme Networks has made every effort to ensure the accuracy and completeness of this document. We are always striving to improve our documentation and help

you work better, so we want to hear from you. We welcome all feedback, but we especially want to know about:

- Content errors, or confusing or conflicting information.
- Improvements that would help you find relevant information in the document.
- Broken links or usability issues.

If you would like to provide feedback, you can do so in three ways:

- In a web browser, select the feedback icon and complete the online feedback form.
- Access the feedback form at <https://www.extremenetworks.com/documentation-feedback/>.
- Email us at documentation@extremenetworks.com.

Provide the publication title, part number, and as much detail as possible, including the topic heading and page number if applicable, as well as your suggestions for improvement.



AP302W Overview

[AP302W Features](#) on page 10

[AP302W Power Source](#) on page 15

[Status LED Activity and Light Sensor](#) on page 15

Learn about AP302W access point.

The AP302W access point is an indoor model 802.11ax wall plate access point. The access point supports Wi-Fi 6, features built-in dual-band radios, four internal antennas.

The AP302W access point can be mounted on a flat surface such as a wall, to a junction box, and can be installed on a desk stand.



Note

The AP302W access point requires a minimum base firmware of 7.6.0 or IQEngine 10.3r0.

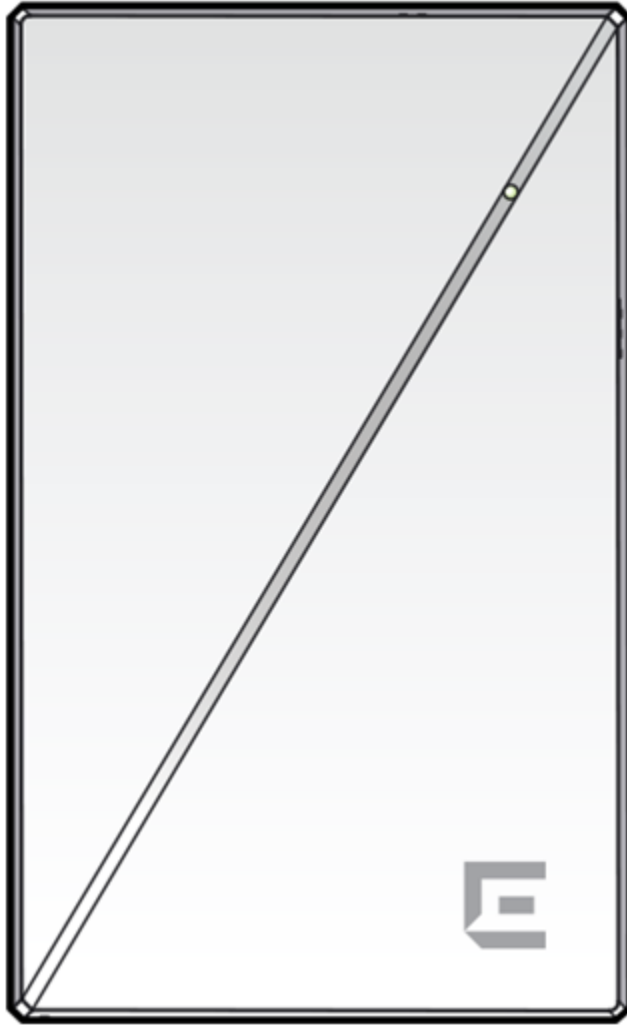


Figure 1: Front view of AP302W access point

AP302W Features

The access point has the following features:

- Radio technology:
 - 802.11ax radio, 2×2:2 2.4 GHz
 - 802.11ax radio, 2×2:2 5 GHz
 - Integrated Bluetooth Low Energy (BLE) and Zigbee
- Radio modes:
 - 5 GHz/2.4 GHz – fixed
 - 5 GHz/5 GHz – dual 5 GHz
 - 5 GHz with 2.4 GHz/5 GHz – sensor
- Console port: custom micro-USB cable
- Six, 10/100/1000 Mbps ports:

Rear ports:

- One Ethernet (ETH) port with Power over Ethernet (PoE) in
- One pass through port

Bottom ports or user access ports:

- Two ETH ports
- One ETH port with power-sourcing-equipment (PSE)
- One pass through port
- One LED. The LED will be on during reset
- One software reset button
- One Kensington lock
- One USB 2.0 type A connector, supports up to 2.5W
- Power: PoE 802.3at and 802.3af (see power table for details)
- Antennas:
 - Three internal omni-directional 2.4G/5G dual-band antennas
 - One internal omni-directional 5G antenna
- Temperature
 - Operating temperature: 0 °C to +40 °C (+32 °F to +104 °F)
 - Non-operating temperature: -40 °C to +70 °C (-40 °F to +158 °F)
- Enclosure: plastic

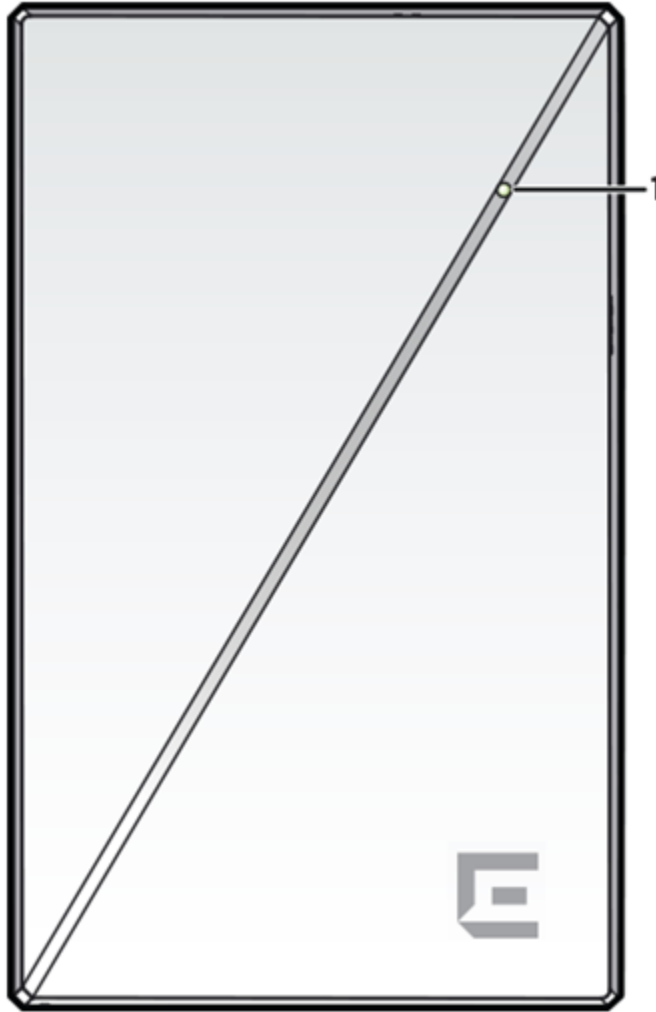


Figure 2: AP302W access point front feature

Table 4: AP302W front face component

Callout	Description
1	Light sensor

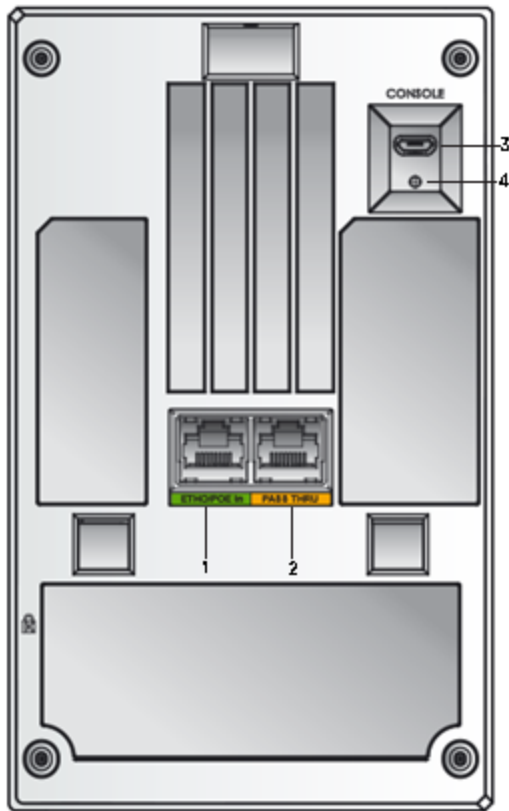


Figure 3: AP302W access point rear features

Table 5: AP302W rear feature components

Callout	Description
1	ETH0/PoE in port
2	Pass through port
3	Console port
4	Reset button



Note

The rear ports are used for access point to system connections.

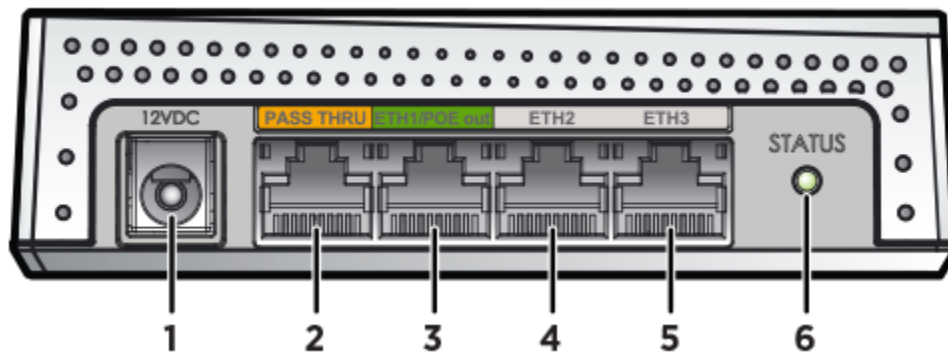


Figure 4: AP302W bottom plug-in ports

Table 6: AP302W bottom plug-in ports description

Callout	Description
1	12 VDC power supply
2	Pass through port
3	ETH1 or PoE out port
4	ETH2 port
5	ETH3 port
6	Status LED



Note

The bottom ports or user access ports can be used as plug-in ports or through wireless connection. You will be able to access only the bottom ports after the access point is installed.

Related Topics

[Status LED Activity and Light Sensor](#) on page 15

AP302W Power Source

Learn about the access point power source and the power ports usage.

Power source	Description	PSE port (up to 12.5 W)	USB port (2.5 W)
PoE at 802.3at	802.3at is provided through ETH0	Yes	Yes
802.3af	802.3af is provided through ETH0	No	Yes
External 12 VDC power supply (optional; ordering part #37215-PWR 12 VDC, 2A, 2.5 mm x 5.5 mm connector)	Power is provided through an external DC power supply plugged into an AC source	No	Yes



Note

PoE power is disabled when external power supply is used.

Status LED Activity and Light Sensor

Details about access point status LED activity and front face light sensor.

The light sensor is located in the front face of the access point but is not visibly marked. The status LED is located at the bottom of the access point and conveys the access point operational status for system power. For more details about access point front and rear features and port information, see [AP302W Features](#) on page 10.

Table 7: Status light activity

Status light color	Activity	Description
Green	Steady	The device has a Control and Provisioning of Wireless Access Points (CAPWAP) connection to ExtremeCloud IQ and is operating normally
	Slow blinking	The device has a CAPWAP connection to ExtremeCloud IQ, but is operating on 802.3af power instead of 802.3at power
Amber	Steady	The device is initializing, rebooting, or is running without a CAPWAP connection
	Slow blinking	The device has no CAPWAP connection to ExtremeCloud IQ, and is operating on 802.3af power instead of 802.3at power
	Fast blinking	The device is upgrading its IQ Engine firmware
Dark	None	Power is off or the status indicator is disabled



Install the Access Point

[Access Point and Accessory Box Contents and Order Information](#) on page 16

[Access Point Mounting Bracket and Accessory Usage](#) on page 18

[Install the Access Point on a Wall](#) on page 19

[Install the Access Point on a USA Model Junction Box Using the Stainless-Steel Bracket](#) on page 25

[Install the Access Point on a Desk Stand](#) on page 31

About This Task

The access point can be installed in an indoor environment to a wall, to a junction box, solid ceiling, or to a desk. For more information about selecting the right access point bracket for your installation needs, see [Access Point and Accessory Box Contents and Order Information](#) on page 16.

Procedure

1. Verify the [box contents](#).
2. Visually inspect the access point, the bracket, and any other optional accessories you have ordered for physical damage.
If there is any damage, contact [Extreme Networks Support](#).
3. Provide the following tools for installation:
 - One #2 Phillips head screwdriver
 - One torx screwdriver with T8 or VT8 bit
4. Read and review the [Safety Guidelines](#).

Access Point and Accessory Box Contents and Order Information

Access point box contents

When you purchase the access point, ensure that the following items are available in the box:

- An AP302W access point
- One AP302W Quick Reference Guide
- One wall plate in-box stainless-steel mounting bracket for wall or junction box or solid ceiling mounting

- One clear hardware bag containing:
 - One flat head T8 security torx M2.5×6.5 mm long locking screw
 - Two Phillips flat head 6–32×14 mm long black screws for USA junction box attachment
 - Two pan head M3.5×16 mm long screws for solid wall or anchor attachment
 - Two 25 mm long white plastic screw-in anchors
- One 100 mm or 140 mm RJ45 cable (not including connectors), CAT.5E flat LAN cable

**Note**

All optional brackets and accessories are sold separately.

ACC-BKT-AX-WP-SPARE accessory bag contents

The wallplate in-box stainless-steel mounting bracket is sold as a spare if you need an additional or a replacement bracket for wall or solid ceiling installations and junction box installations. The -SPARE accessory must be purchased separately.

The SPARE accessory bag contains the following items:

- One ACC-BKT-AX-WP-SPARE accessory (same as the in-box wallplate stainless-steel mounting bracket)
- One clear hardware bag containing:
 - One flat head T8 security torx M2.5×6.5 mm long locking screw
 - Two Phillips flat head 6–32×14 mm long black screws for USA junction box attachment
 - Two pan head M3.5×16 mm long screws for solid wall or anchor attachment
 - Two 25 mm long white plastic screw-in anchors
- One URL card

ACC-BKT-AX-WP-EXT accessory bag contents

The ACC-BKT-AX-WP-EXT accessory, also called the wall extension accessory is used with the wall plate in-box stainless-steel bracket for EU model junction box installations. The -EXT accessory must be purchased separately.

**Tip**

Most European countries model junction box or for any other junction box, if the RJ45 cable protrudes from the junction box face plate, the best practice is to use the extension accessory with the wall plate bracket for a 20 mm extension from the junction box.

**Note**

You can use the -EXT accessory for other installation options where the RJ45 cable or system cables are protruding outside the wall.

The EXT accessory bag contains the following items:

- One ACC-BKT-AX-WP-EXT accessory
- Four Phillips washer pan head M2.5×7 mm long screws to attach the extension to the wall plate bracket

- Two Phillips pan head M3.5×38 mm long screws for wall plate bracket mounting
- Two Phillips flat head 6–32×35 mm long screws for USA and EU junction box attachment

ACC-BKT-AX-WP-DSKSTD accessory bag contents

The ACC-BKT-AX-WP-DSKSTD accessory, also called the desk stand is used to install the access point to a desk. The desk stand accessory bag contains the following items:

- One ACC-BKT-AX-WP-DSKSTD accessory
- One flat head T8 security torx M2.5×6.5 mm long locking screw
- Two Phillips flat head M3.5×12 mm long self-tapping wood screws

Access Point Mounting Bracket and Accessory Usage

Mount the access point on a wall, junction box, solid ceiling, or a desk using various mounting bracket and accessory options, as described in the following table:

Table 8: Mounting bracket usage

Mounting bracket or accessory part number	Wall or solid ceiling install	Junction box install	Desk stand install	Notes
Wall plate stainless-steel wall bracket (sold in-box with the access point) (part number ACC-BKT-AX-WP-SPARE)	Yes	Yes	No	Attach the security locking screw to the security locking tab on the wall bracket, and lock the access point in place for ceiling installation
ACC-BKT-AX-WP-EXT	Yes, if the system cables protrude from the wall	Yes, if the RJ45 connector protrudes from the junction box face plate	No	Surface mounted wall plate housing extension accessory. The -EXT accessory provides a 20 mm extension between the wall or a junction box surface and the access point to place the protruding RJ45 or system cables
ACC-BKT-AX-WP-DSKSTD	Yes, with M3.5×12 mm Phillips flat head screws	No	Yes	Desk mount stand, including mounting screws

Install the Access Point on a Wall

Learn how to install the access point to a solid flat surface such as a wall using the in-box wall plate stainless-steel bracket or the -EXT accessory.

Before You Begin

- The mounting surface must be able to support the access point in all environmental conditions.
- The mounting surface must be flat.

Hardware required for wall installation:

- One AP302W access point
- One in-box wall plate stainless-steel bracket
- Two pan head M3.5×16 mm long screws for solid wall or anchor attachment
- Two 25 mm long white plastic screw-in anchors



Note

Provide your own Phillips screwdriver, a torx screwdriver, and a pencil.

About This Task

Install the access point on a flat surface such as a wall or a solid flat ceiling using the in-box wall plate stainless-steel bracket.

Procedure

1. Using the wall plate stainless-steel mounting bracket as a template, mark and drill the wall installation holes on the wall.

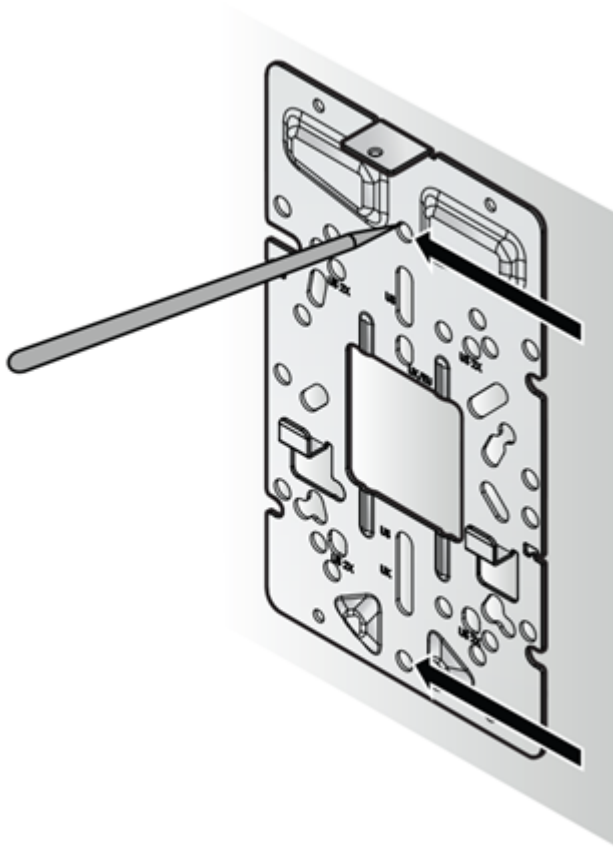


Figure 5: Wall installation holes marking

2. Insert the screws into the mounting bracket wall installation holes.



Note

Use screw-in anchors for drywall mounting. For wood wall mounting, only the bracket and screws are used.

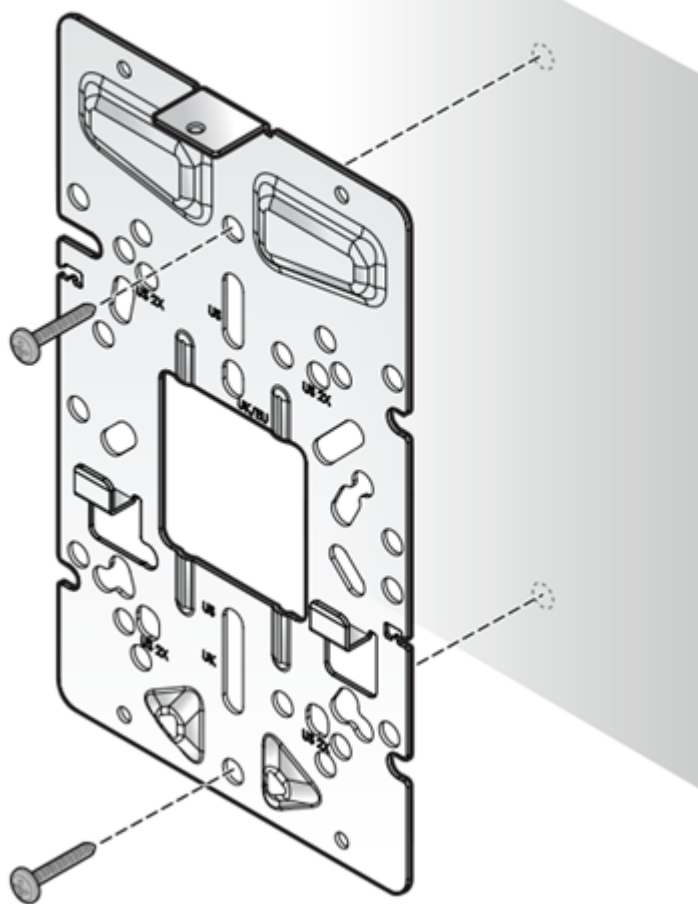


Figure 6: Wood wall installation using only stainless-steel bracket and screws

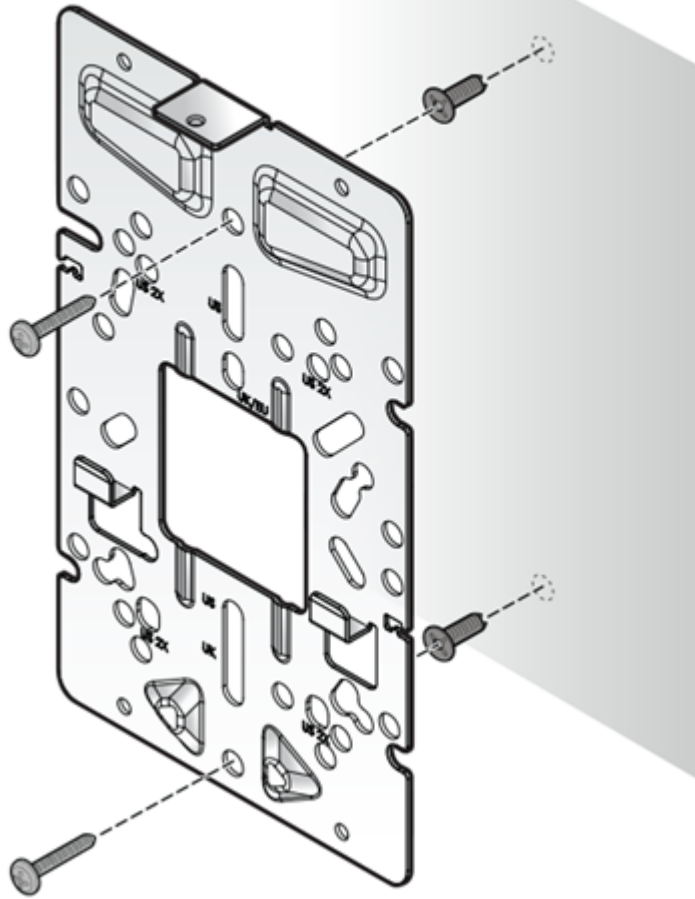


Figure 7: Drywall mounting using bracket, screws, and screw-in anchors

3. Insert the Ethernet cable into the ETH0 port.

If there is a system LAN wire in the wall, use the RJ45 receptacle on it. Attach one end of the cable into the receptacle and the other end into the AP302W ETH0 port.

4. Insert the access point onto the bracket locking tab and slide it down until it is fully seated onto the bracket.

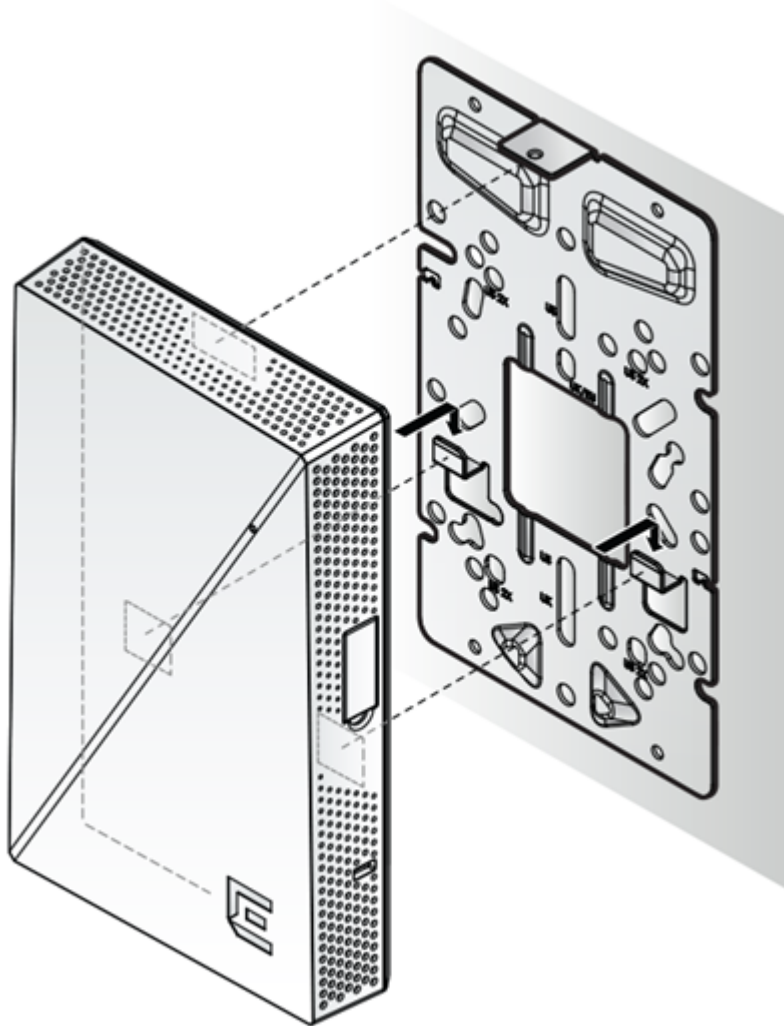


Figure 8: Access point installation to wall plate bracket

5. Attach the security locking screw to the security locking tab on the wall bracket, and lock the access point in place.

Install the Access Point on a Wall Using the ACC-BKT-AX-WP-EXT Accessory

Use the ACC-BKT-AX-WP-EXT accessory with the in-box stainless-steel mounting bracket for solid wall installations, where the system cables protrude from the wall. The -EXT accessory provides an extension up to 20 mm to place the cables.

Before You Begin

Hardware required for installation:

- One AP302W access point
- One in-box wall plate stainless-steel bracket

- Two pan head M3.5×38 mm long screws for solid wall or anchor attachment
- Two 25 mm long white plastic screw-in anchors
- One ACC-BKT-AX-WP-EXT accessory
- Four Phillips washer pan head M2.5×7 mm long screws to attach the extension to the wall plate bracket
- One flat head T8 security torx M2.5×6.5 mm long locking screw

About This Task

Install the access point using the in-box stainless-steel wall plate bracket and the ACC-BKT-AX-WP-EXT accessory to a wall. You have two options for cable connection to the access point:

1. Use the WS-CAB-RJ45-FLT01 RJ45 cable and have LAN security.
2. Use the smaller RJ45 flat cable that ships with the access point and don't have LAN removal security.

Procedure

1. Using the stainless-steel mounting bracket as a template, mark and drill two mounting holes on the wall.

For

[Step 2](#) is applicable only if you use the WS-CAB-RJ45-FLT01 cable. If you use the smaller RJ45 flat cable that is shipped with the access point, move on to [Step 3](#).

2. Prepare the -EXT accessory for use with WS-CAB-RJ45-FLT01 cable.



Note

There are break-out tabs on the short sides of the -EXT accessory. The break-out tabs are used to bring in the cables that are outside the wall. Using the break-out tabs will ensure that the system cable is secured from being removed.

- a. To access the break-out tabs, use a wire cutter to cut the break-out tabs on the -EXT accessory. You can use either the single break-out tab on one side of the accessory or the double break-out tabs on the other short side of the accessory.
 - b. Route the system cable through the cut out on the -EXT accessory before you attach the stainless-steel bracket to the -EXT accessory.
 - c. Attach the system cable to the WS-CAB-RJ45-FLT01 RJ45 receptacle.
3. Attach the wall plate bracket to the extension accessory using four Phillips washer pan head M2.5×7 mm long screws.
 4. Attach the WS-CAB-RJ45-FLT01 RJ45 cable to the ETH0 port on the access point.
For the smaller RJ45 flat cable that comes with the access point, attach the cable to the rear ports on the access point.
 5. Align the stainless-steel mounting bracket to the drilled holes and attach the bracket to the wall using the pan head M3.5×38 mm long screws.
Use screw-in anchors for drywall mounting.
[Step 6](#) is applicable only if you use the smaller RJ45 flat cable.
 6. Connect the system cable to the pass through port located in the user port access section.
For information about user ports access section, see [Figure 4](#) on page 14.
 7. Align the access point back slots with the stainless-steel bracket access point holding tabs, and then slide the access point onto the bracket until it is fully seated in place.

- Using a security torx T-8 or a VT-8 screw, secure the bracket locking tab for physical security.

Install the Access Point on a USA Model Junction Box Using the Stainless-Steel Bracket

Install the access point on a junction box using the wall plate stainless-steel bracket and the extension accessory on USA model and EU model junction box.

Before You Begin

Hardware required for junction box installation:

- One AP302W access point
- One flat head T8 security torx M2.5×6.5 mm long locking screw
- One 100 mm RJ45 cable (not including connectors), CAT.5E flat LAN cable



Note

Provide your own flat head screwdriver and a torx screwdriver.

About This Task

You can install the access point on a junction box. For USA model junction boxes, you can use the stainless-steel bracket that comes with the access point for installation.

Procedure

- Remove the screws and the faceplate from the junction box.
- Line up the bracket holes with the large hole on the junction box.



Note

When you line up the holes, the bracket locking tab must be pointing up and the junction box must be fully covered by the bracket.

- Using the aligned holes, attach the bracket to the junction box using the screws removed from the junction box earlier.

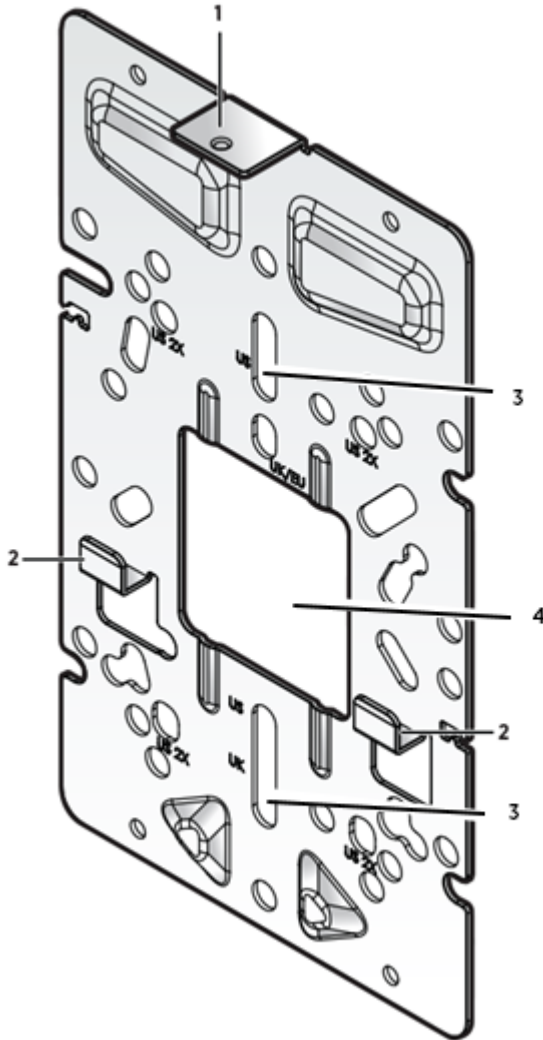


Figure 9: Wall plate bracket components

Table 9: Wall plate mounting bracket components for wall and junction box installation

Callout	Description
1	Security locking tab
2	Access point holding tabs
3	Junction box installation hole
4	Large hole to place on the junction box and to run the RJ45 cable through

- Run the Ethernet cable or the RJ45 cable from the junction box and through the wall plate bracket's large center hole.
- Connect the Ethernet cable or the RJ45 flat cable to the access point.

6. Align the access point back slots with the stainless-steel bracket access point holding tabs, and then slide the access point onto the bracket until it is fully seated in place.
7. Using a security torx T-8 or a VT-8 screw, secure the bracket locking tab for physical security.

Install the Access Point on a EU Model Junction Box Using the ACC-BKT-AX-WP-EXT Accessory

Before You Begin

Hardware required for installation with extension accessory:

- One AP302W access point
- One stainless-steel wall plate bracket
- One ACC-BKT-AX-WP-EXT accessory
- Four Phillips washer pan head M2.5×7 mm long screws to attach the extension to the wall plate bracket
- Two Phillips pan head M3.5×38 mm long screws for wall plate bracket mounting
- Two Phillips flat head 6–32×35 mm long screws for junction box attachment
- One flat head T8 security torx M2.5×6.5 mm long locking screw
- One 100 mm RJ45 cable (not including connectors), CAT.5E flat LAN cable

About This Task

If the RJ45 connector protrudes from the junction box face plate, you need a 20 mm extension between the junction box and the access point during installation to place the RJ45 cable. Use the ACC-BKT-AX-WP-EXT accessory with the stainless-steel mounting bracket for providing extension.



Note

You must purchase the -EXT extension accessory separately.

Procedure

1. Using the stainless-steel mounting bracket as a template, mark and drill two mounting holes around the junction box faceplate.
The mounting holes must be located above and below the junction box face plate.

2. Attach the wall plate bracket to the extension accessory using four Phillips washer pan head M2.5×7 mm long screws.

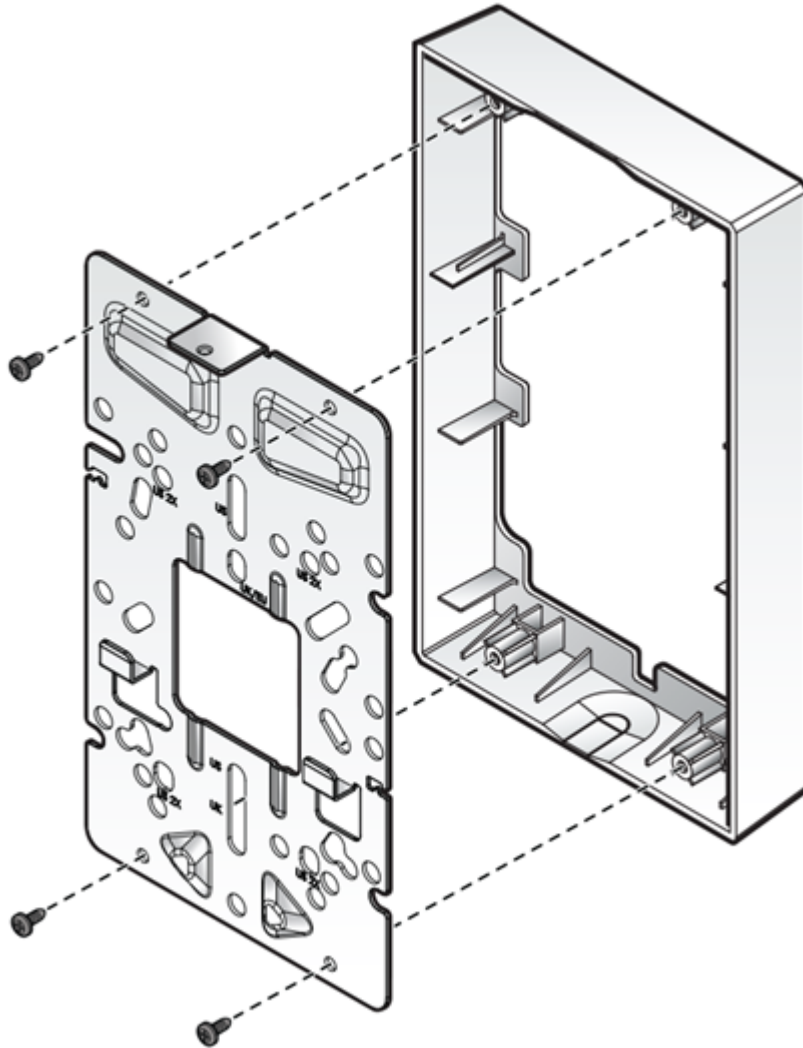


Figure 10: Wall plate bracket attachment to extension accessory

3. Attach one end of the Ethernet cable or the RJ45 cable in to the junction box.

4. Line up the wall plate bracket large hole against the junction box face plate and run the other end of the RJ45 cable through the wall plate bracket hole.

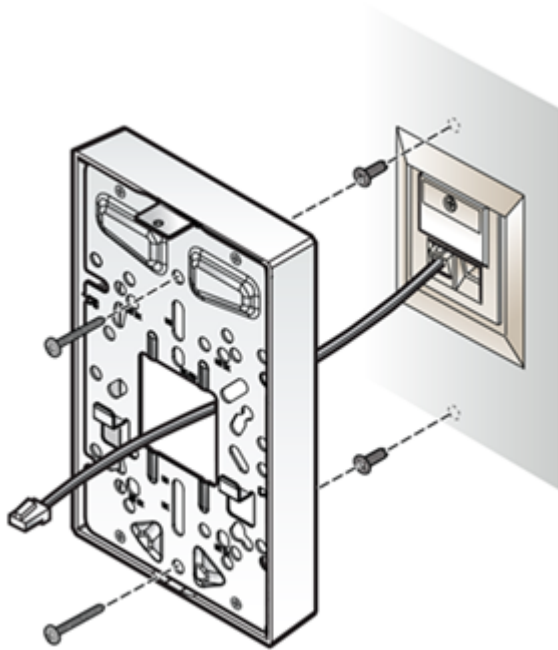


Figure 11: Feed the RJ45 cable through the large center hole on the stainless-steel bracket face

5. Using the aligned holes, attach the bracket with the extension accessory around the junction box using the 6-32×35 mm long screws included with the -EXT bracket.

6. Connect the Ethernet cable or the RJ45 flat cable to the access point.

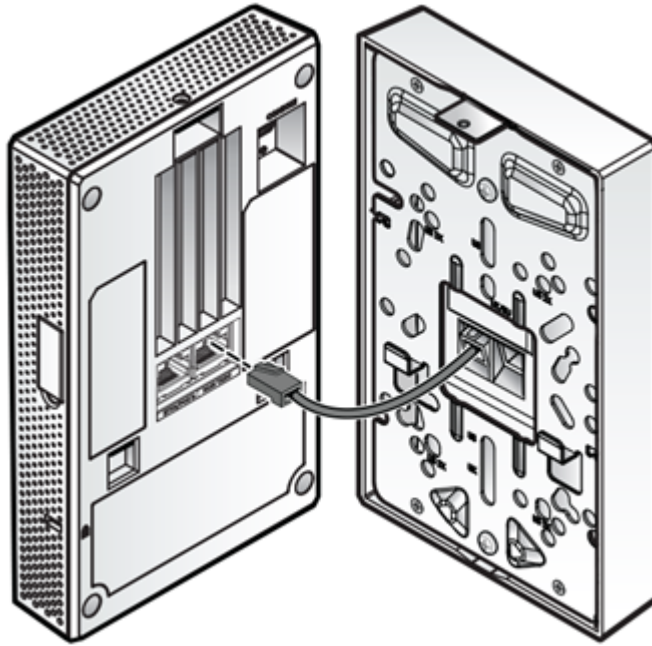


Figure 12: Attach the Ethernet cable or RJ45 cable to the access point rear pass through port

7. Align the access point back slots with the stainless-steel bracket access point holding tabs, and then slide the access point onto the bracket until it is fully seated in place.

- Using a security torx T-8 or a VT-8 screw, secure the bracket locking tab for physical security.

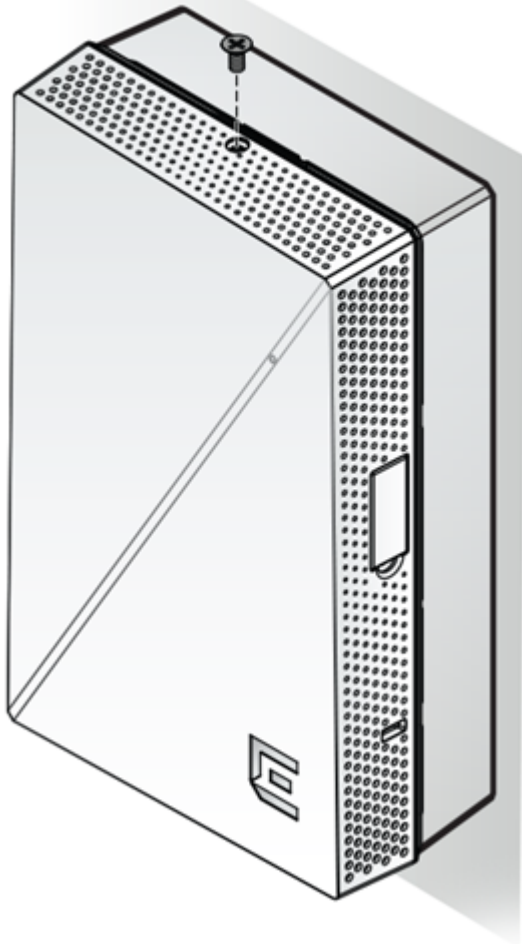


Figure 13: Security torx screw installation to the access point

Install the Access Point on a Desk Stand

Install the access point on a desk stand using the DSKSTD accessory.

Before You Begin

Hardware required for desk installation:

- One AP302W access point
- One ACC-BKT-AX-WP-DSKSTD accessory

- One flat head T8 security torx M2.5×6.5 mm long locking screw
- Two Phillips flat head M3.5×12 mm long self-tapping wood screws, if you want to fix the desk stand in place

**Note**

Provide your own torx screwdriver.

About This Task

Use the desk stand accessory to install the access point to a desk.

**Note**

The desk stand accessory must be purchased separately. For order information, see [Access Point and Accessory Box Contents and Order Information](#) on page 16.

Procedure

1. Place the desk stand on the installation surface.

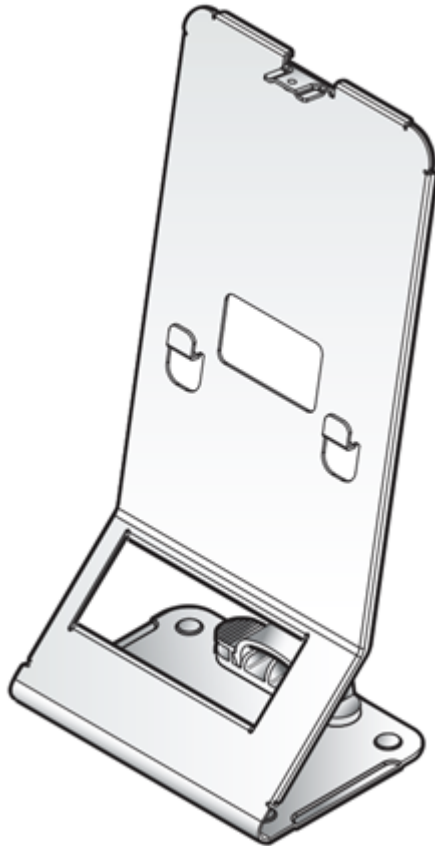


Figure 14: Desk stand

2. If desired, attach the desk stand to the installation surface using two Phillips flat head M3.5×12 mm long self-tapping wood screws.

3. Line up the access point on the mounting tabs of the desk stand.

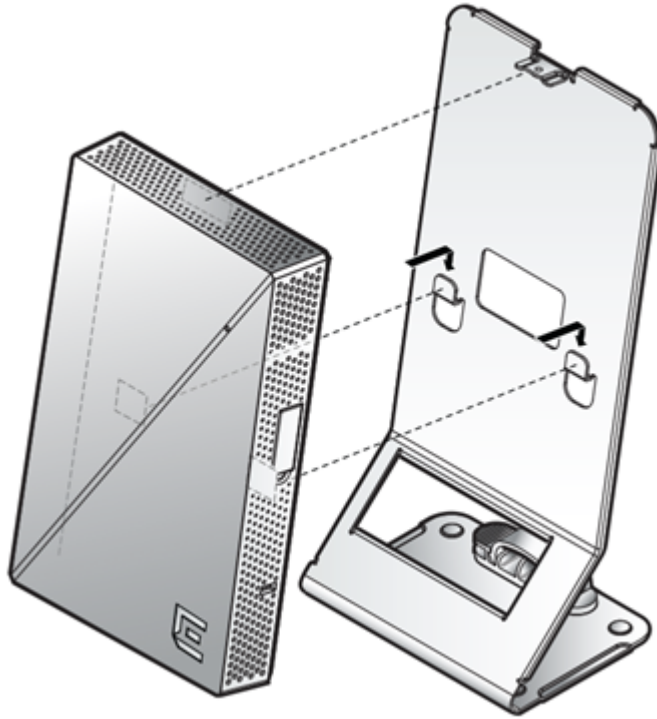


Figure 15: Access point alignment for installation on a desk stand

4. Slide the access point on the desk stand until it is fully seated and lock it in place.

5. Attach the security locking tab screw to the security locking tab on the desk stand, and lock the access point in place.

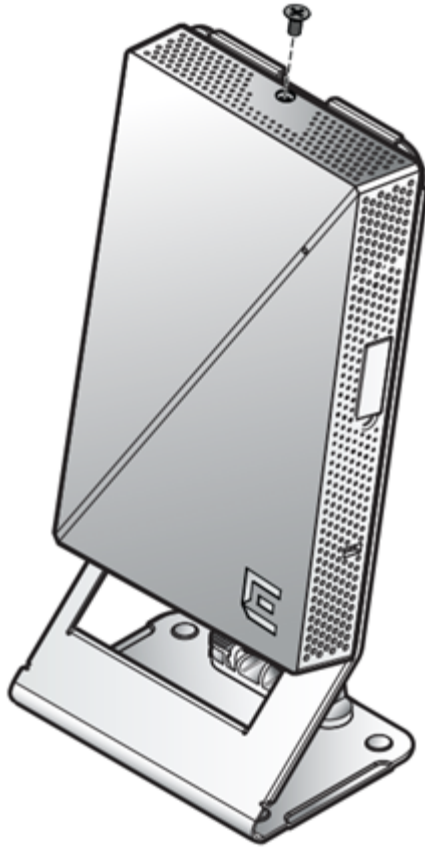


Figure 16: Access point security screw installation on a desk stand

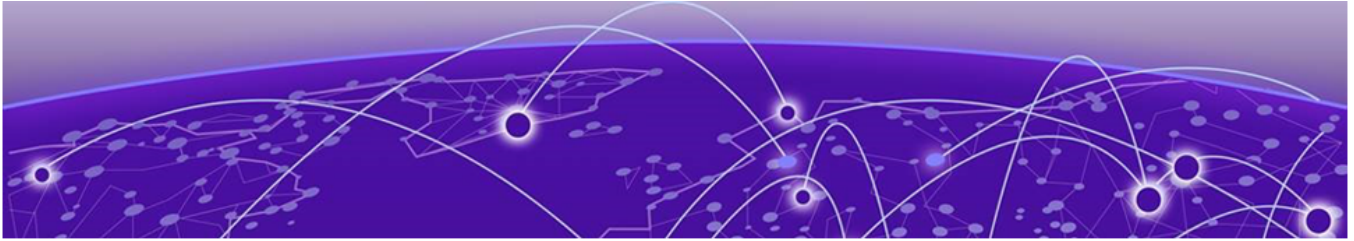
6. Route the RJ45 cable through the plastic clip on the desk stand.
7. Insert the RJ45 cable into the pass through port on the access point.



GE and Console Connections

The AP302W access point has four GE (Ethernet) ports and a Console port. During administration and maintenance through the Console, the access point must still have a power connection through either an Ethernet PoE cable or an external DC power supply.

For more information, see [AP302W Power Source](#) on page 15.



Internal Antenna Configuration

Table 10: Antenna configuration for AP302W access point

Software mode	Radio 1	Radio 2	Description
Mode 1	2.4 GHz	5 GHz - full	Dual-band dual concurrent
Mode 2	2 GHz/5 GHz - full	5 GHz - full	R1 unlocked sensor
Mode 3	5 GHz - low	5 GHz - high	Dual 5 GHz band



Specifications

AP302W access point physical and environmental specifications.

Table 11: Physical specifications

Specification	Description
Dimensions	6.8in. × 4.2in. × 1.1in. (175 mm × 106 mm × 29 mm)
Weight	0.95 lbs.
LED	One
Housing	Plastic
Radios	Two 802.11ax radios (one 2X2 2.4GHz and 5 GHz radio, and one 2X2 5 GHz radio)
PoE	See AP302W Power Source on page 15
Console port	RJ45

Table 12: Environmental specifications

Specification	Description
Operating temperature	0°C to +40°C (+32°F to +104°F)
Storage temperature	-40°C to +70°C (-40°F to +158°F)
Relative humidity	0% – 95% (non-condensing)

For detailed specifications information, refer to the AP302W access point [data sheet](#).



Regulatory and Compliance Information

[Safety Guidelines](#) on page 38

[Maximum Permissible Exposure \(MPE\) Statement for Mobile Devices](#) on page 39

[FCC Declaration of Conformity Statement](#) on page 39

[Industry Canada Notice](#) on page 40

[Australia Notice](#) on page 41

[Japan Indoor Use Statement](#) on page 41

[Brazil Agência Nacional De Telecomunicações \(Anatel\) Statement](#) on page 41

[Hazardous Substances](#) on page 41

[Supplement to Product Instructions](#) on page 42

[National Communications Commission \(NCC\) Statement](#) on page 42

[CE Information](#) on page 43

[European Waste Electrical and Electronic Equipment \(WEEE\) Notice](#) on page 43

[Declaration of Conformity in Languages of the European Community](#) on page 44

Learn about safety guidelines, compliance notices, and regulatory information pertaining to various countries in which the device can be used.

Safety Guidelines

Learn about the safety guidelines that are intended to protect your personal safety and prevent damage to the equipment.



Important

Only qualified personnel must perform installation procedures. Within the context of the safety notes in this documentation, qualified persons are defined as persons who are authorized to commission grounding, and label devices, systems, and circuits in accordance with established safety practices and standards. A qualified person understands the requirements and risks involved with installing the electrical equipment in accordance with national codes.

Maximum Permissible Exposure (MPE) Statement for Mobile Devices

Exposure limit for mobile devices set forth by European Union.

This equipment complies with EU radiation exposure limits set forth for an uncontrolled environment. This equipment should be installed and operated with a minimum distance of 23 cm between the radiator and your body.

FCC Declaration of Conformity Statement



Warning

This device is restricted for indoor use.

This equipment has been tested and found to comply with the limits for a Class B digital device, pursuant to Part 15 of the FCC Rules. These limits are designed to provide reasonable protection against harmful interference in a residential installation. This equipment generates, uses and can radiate radio frequency energy and, if not installed and used in accordance with the instructions, may cause harmful interference to radio communications. However, there is no guarantee that interference will not occur in a particular installation. If this equipment does cause harmful interference to radio or television reception, which can be determined by turning the equipment off and on, the user is encouraged to try to correct the interference by one of the following measures:

- Reorient or relocate the receiving antenna.
- Increase the separation between the equipment and receiver.
- Connect the equipment into an outlet on a circuit different from that to which the receiver is connected.
- Consult the dealer or an experienced radio/TV technician for help.

FCC Caution:

Any changes or modifications not expressly approved by the party responsible for compliance could void the user's authority to operate this equipment.

This device complies with Part 15 of the FCC Rules. Operation is subject to the following two conditions:

- This device may not cause harmful interference .
- This device must accept any interference received, including interference that may cause undesired operation.

This transmitter must not be co-located or operating in conjunction with any other antenna or transmitter.



Warning

FCC Radiation Exposure Statement: This equipment complies with FCC radiation exposure limits set forth for an uncontrolled environment. This equipment should be installed and operated with minimum distance 23 cm between the radiator & your body.

Industry Canada Notice

Details about industry Canada radiation exposure statement.



Warning

For indoor use only.

Pour une utilisation en intérieur uniquement.

This device complies with Innovation, Science and Economic Development (ISED) Canada's licence-exempt RSSs. Operation is subject to the following two conditions: (1) this device may not cause harmful interference, and (2) this device must accept any interference received, including interference that may cause undesired operation.

Le présent appareil est conforme aux CNR d'ISED applicables aux appareils radio exempts de licence. L'exploitation est autorisée aux deux conditions suivantes : (1) le dispositif ne doit pas produire de brouillage préjudiciable, et (2) ce dispositif doit accepter tout brouillage reçu, y compris un brouillage susceptible de provoquer un fonctionnement indésirable.



Caution

The device for operation in the band 5150-5250 MHz is only for indoor use to reduce the potential for harmful interference to co-channel mobile satellite systems.

les dispositifs fonctionnant dans la bande 5150-5250 MHz sont réservés uniquement pour une utilisation à l'intérieur afin de réduire les risques de brouillage préjudiciable aux systèmes de satellites mobiles utilisant les mêmes canaux.



Warning

IC Raditional Exposure Statement

This equipment complies with ISED radiation exposure limits set forth for an uncontrolled environment. This equipment should be installed and operated with minimum distance 23 cm between the radiator and your body.



Warning

Déclaration d'exposition aux radiations

Cet équipement est conforme aux limites d'exposition aux rayonnements ISED établies pour un environnement non contrôlé. Cet équipement doit être installé et utilisé avec un minimum de 23 cm de distance entre la source de rayonnement et votre corps.

This radio transmitter [IC: 4141B-AP302W] has been approved by Innovation, Science and Economic Development Canada to operate with the antenna types listed in ExtremeWireless AP302W Access Point Installation Guide, with the maximum permissible gain indicated. Antenna types not included in this list that have a gain greater than the maximum gain indicated for any type listed are strictly prohibited for use with this device.

Le présent émetteur radio [IC: 4141B-AP302W] a été approuvé par Innovation, Sciences et Développement économique Canada pour fonctionner avec les types d'antenne répertoriés dans le Guide d'installation des points d'accès sans fil extrêmes AP302W, avec le un gain admissible maximal. Les types d'antenne non inclus dans cette liste, et dont le gain est supérieur au gain maximal indiqué pour tout type figurant sur la liste, sont strictement interdits pour l'exploitation de l'émetteur.

Australia Notice

AU co-location MPE Statement

This equipment complies with AU radiation exposure limits set forth for an uncontrolled environment. This equipment should be installed and operated with minimum distance of 24 cm between the radiator and your body.

Japan Indoor Use Statement

5 GHz band (W52, W53). Indoor use only, except for communication with high power radio.

Brazil Agência Nacional De Telecomunicações (Anatel) Statement

Details about certification from Brazil's local authority Agência Nacional De Telecomunicações (Anatel) for access point usage in Brazil.

Este produto está homologado pela Anatel, de acordo com os procedimentos regulamentados e atende aos requisitos técnicos aplicados.

Este equipamento não tem direito à proteção contra interferência prejudicial e não pode causar interferência em sistemas devidamente autorizados. Para maiores informações, consulte o site da Anatel - www.anatel.gov.br

Hazardous Substances

This product complies with the requirements of Directive 2011/65/EU of the European Parliament and of the Council of 8 June 2011 on the restriction of the use of certain hazardous substances in electrical and electronic equipment.

Supplement to Product Instructions

單元 Unit	限用物質及其化學符號 Restricted substances and its chemical symbols					
	鉛Lead (Pb)	汞Mercury (Hg)	鎘Cadmium (Cd)	六價鉻 Hexavalent chromium (Cr ⁺⁶)	多溴聯苯 Polybrominated biphenyls (PBB)	多溴二苯醚 Polybrominated diphenyl ethers (PBDE)
金屬零件 (Metal Parts)	○	○	○	○	○	○
電路模組 (Circuit Modules)	—	○	○	○	○	○
電纜及電纜組件 (Cables & Cable Assemblies)	○	○	○	○	○	○
塑料和聚合物零件 (Plastic and Polymeric parts)	○	○	○	○	○	○
<p>備考1. “超出0.1 wt %”及“超出0.01 wt %”係指限用物質之百分比含量超出百分比含量基準值。 Note 1: “Exceeding 0.1 wt %” and “exceeding 0.01 wt %” indicate that the percentage content of the restricted substance exceeds the reference percentage value of presence condition.</p> <p>備考2. “○”係指該項限用物質之百分比含量未超出百分比含量基準值。 Note 2: “○” indicates that the percentage content of the restricted substance does not exceed the percentage of reference value of presence.</p> <p>備考3. “—”係指該項限用物質為排除項目。 Note 3: The “—” indicates that the restricted substance corresponds to the exemption.</p>						

National Communications Commission (NCC) Statement

Details about NCC statement.

低功率電波輻射性電機管理辦法第十二條 經型式認證合格之低功率射頻電機,

非經許可, 公司、商號或使用者均不得擅自變更頻率、加大功率或變更原設計之特性及功能。

第十四條 低功率射頻電機之使用不得影響飛航安全及干擾合法通信;

經發現有和干擾現象時, 應立即停用, 並改善至無干擾時方得繼續使用。

前項合法通信, 指依電信法規定作業之無線電通信。

低功率射頻電機須忍受合法通信或工業、科學及醫療用電波輻射性電機設備之干擾。

1. 使用此產品時應避免影響附近雷達系統之操作。

CE Information

The device is restricted to indoor use only when operating in the 5150 to 5350 MHz frequency range.



Warning

CE co-location MPE Statement:

This equipment complies with CE radiation exposure limits set forth for an uncontrolled environment. This equipment should be installed and operated with minimum distance of 20 cm between the radiator and your body.

	AT	BE	BG	HR	CY	CZ	DK
	EE	FI	FR	DE	EL	HU	IE
	IT	LV	LT	LU	MT	NL	PL
	PT	RO	SK	SI	ES	SE	UK

All Operational Modes

2.4 GHz: 802.11b, 802.11g, 802.11n (HT20), 802.11n (HT40), 802.11ax (HEW20), 802.11ax (HEW40), 802.15.4 (Thread), Bluetooth (LE)

5 GHz: 802.11a, 802.11n (HT20), 802.11n (HT40), 802.11ac (VHT20), 802.11ac (VHT40), 802.11ac (VHT80), 802.11ac (VHT160), 802.11ax (HEW20), 802.11ax (HEW40), 802.11ax (HEW80), 802.11ax (HEW160)

The frequency and the maximum transmitted power in EU are listed below:

2412-2472 MHz: 19.98 dBm

2402-2480 MHz (LE): 7.78 dBm

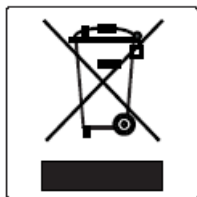
5180-5240 MHz: 22.99 dBm

5260-5320 MHz: 22.99 dBm

5500-5700 MHz: 29.99 dBm

2405-2480 MHz: 7.79 dBm

European Waste Electrical and Electronic Equipment (WEEE) Notice



In accordance with Directive 2012/19/EU of the European Parliament on waste electrical and electronic equipment (WEEE):

1. The symbol above indicates that separate collection of electrical and electronic equipment is required.
2. When this product has reached the end of its serviceable life, it cannot be disposed of as unsorted municipal waste. It must be collected and treated separately.
3. It has been determined by the European Parliament that there are potential negative effects on the environment and human health as a result of the presence of hazardous substances in electrical and electronic equipment.
4. It is the user's responsibility to utilize the available collection system to ensure WEEE is properly treated.

For information about the available collection system, please contact Extreme Environmental Compliance at Green@extremenetworks.com.

Declaration of Conformity in Languages of the European Community

English	Hereby, declares that the radio equipment type (AP302W) is in compliance with Directive 2014/53/EU. For full text of the EU Declaration of Conformity, contact Extreme Regulatory Compliance at compliancerequest@extremenetworks.com
Finnish	Valmistaja vakuuttaa täten että Radio LAN device (AP302W) tyyppinen laite on direktiivin 2014/53/EU oleellisten vaatimusten ja sitä koskevien direktiivin muiden ehtojen mukainen. EU-vaatimustenmukaisuusvaatimuksen täydellisestä tekstistä ota yhteyttä äärimmäisiin säädösten noudattamiseen osoitteessa compliancerequest@extremenetworks.com
Dutch	Hierbij verklaart dat het toestel Radio LAN device (AP302W) in overeenstemming is met de essentiële eisen en de andere relevante bepalingen van richtlijn 2014/53/EU. Neem voor de volledige tekst van de EU-conformiteitsverklaring u contact opnemen met extreme regelgeving op compliancerequest@extremenetworks.com
French	Par la présente déclare que l'appareil Radio LAN device (AP302W) est conforme aux exigences essentielles et aux autres dispositions pertinentes de la directive 2014/53/EU. Pour obtenir le texte intégral du processus de Déclaration de la conformité de l'UE, veuillez contacter la conformité réglementaire extrême à l'adresse suivante: compliancerequest@extremenetworks.com

Swedish	Härmed intygar att radioutrustningstypen AP302W överensstämmer med de väsentliga egenskapskrav och övriga relevanta bestämmelser som framgår av direktiv 2014/53/ EU. För fullständig text av EU-försäkran om överensstämmelse, kontakta Extreme regelfterlevnad på compliancerequest@extremenetworks.com
Danish	Undertegnede erklærer herved, at følgende udstyr Radio LAN device (AP302W) overholder de væsentlige krav og øvrige relevante krav i direktiv 2014/53/EU. For den fulde ordlyd af EU-overensstemmelseserklæringen bedes du kontakte Extreme Regulatory Compliance på compliancerequest@extremenetworks.com
German	Hiermit erkläre die Übereinstimmung des "WLAN Wireless Controller bzw. Access Points" (AP302W) mit den grundlegenden Anforderungen und den anderen relevanten Festlegungen der Richtlinie 2014/53/EU. Für den vollständigen Wortlaut der EU-Konformitätserklärung wenden Sie sich bitte an extreme Regulatory Compliance unter compliancerequest@extremenetworks.com
Greek	ΜΕ ΤΗΝ ΠΑΡΟΥΣΑ ΔΗΛΩΝΕΙ ΟΤΙ Radio LAN device (AP302W) ΣΥΜΜΟΡΦΩΝΕΤΑΙ ΠΡΟΣ ΤΙΣ ΟΥΣΙΩΔΕΙΣ ΑΠΑΙΤΗΣΕΙΣ ΚΑΙ ΤΙΣ ΛΟΙΠΕΣ ΣΧΕΤΙΚΕΣ ΔΙΑΤΑΞΕΙΣ ΤΗΣ ΟΔΗΓΙΑΣ 2014/53/EU. Για το πλήρες κείμενο της δήλωσης συμμόρφωσης ΕΕ, παρακαλούμε επικοινωνήστε με την ακραία κανονιστική συμμόρφωση στο compliancerequest@extremenetworks.com
Icelandic	lysir her með yfir að thessi bunadur, Radio LAN device (AP302W), uppfyllir allar grunnkröfur, sem gerðar eru í R&TTE tilskipun ESB nr 2014/53/EU. Fyrir fullan texta í ESB yfirlýsingu um samræmi, vinsamlegast hafðu samband við Extreme Reglufylgni á compliancerequest@extremenetworks.com
Italian	Con la presente dichiara che questo Radio LAN device (AP302W) è conforme ai requisiti essenziali ed alle altre disposizioni pertinenti stabilite dalla direttiva 2014/53/EU. Per il testo integrale della Dichiarazione di conformità dell'UE, contattare Extreme Regulatory Compliance presso compliancerequest@extremenetworks.com
Spanish	Por medio de la presente declara que el Radio LAN device (AP302W) cumple con los requisitos esenciales y cualesquiera otras disposiciones aplicables o exigibles de la Directiva 2014/53/EU. Para obtener el texto completo de la Declaración de conformidad de la UE, póngase en contacto con Extreme Regulatory Compliance en compliancerequest@extremenetworks.com

Portuguese	<p>declara que este Radio LAN device (AP302W) está conforme com os requisitos essenciais e outras disposições da Directiva 2014/53/EU. Para o texto integral da declaração de conformidade da UE, contacte a conformidade regulamentar extrema em compliancerequest@extremenetworks.com</p>
Malti	<p>Hawnhekk, , jiddikjara li dan Radio LAN device (AP302W) jikkonforma mal-htigijiet essenzjali u ma provvedimenti oħrajn rilevanti li hemm fid-Dirrettiva 2014/53/EU. Għat-test sħiħ tad-dikjarazzjoni ta ' konformità tal-UE, jekk jogħġbok ikkuntattja lill-konformità regolatorja compliancerequest@extremenetworks.com</p>



Index

A

- access point installation
 - desk stand install 16
 - junction box install 16
 - wall install 16
- access point overview 9
- Australia notice 41

B

- box contents
 - ACC-BKT-AX-WP-DSKSTD accessory 16–18
 - ACC-BKT-AX-WP-EXT accessory 16–18
 - access point box contents 16–18

C

- CE information 43
- console connection 35
- conventions
 - notice icons 5
 - text 5

D

- desk stand install
 - DSKSTD accessory 31
 - optional accessory 31
- documentation
 - feedback 7
 - location 6

F

- features 10
- feedback 7

G

- GE connection 35

I

- industry Canada notice 40
- internal antenna
 - radio 1 36
 - radio 2 36
 - software mode 36

J

- Japan indoor use regulatory statement 41
- junction box install
 - EU junction box 25
 - extension bracket 25
 - USA junction box 25
 - wall plate bracket 25

L

- light sensor 15

M

- mobile devices MPE statement 39
- mounting bracket usage
 - desk stand install 18
 - junction box install 18
 - wall install 18

N

- NCC statement 42
- notices 5

P

- power source
 - 12 VDC 15
 - ETH0 15

R

- regulatory information, hazardous Substances 41
- Restriction of Hazardous Substances information 42

S

- safety guidelines 38
- specifications
 - environmental specifications 37
 - product specifications 37
- status LED
 - amber 15
 - green 15
- support, see technical support

T

technical support
contacting 7

W

wall install
ACC-BKT-AX-WP-EXT accessory install with in-box wall
plate bracket 19
flat surface install 19
in-box wall plate bracket 19
warnings 5