

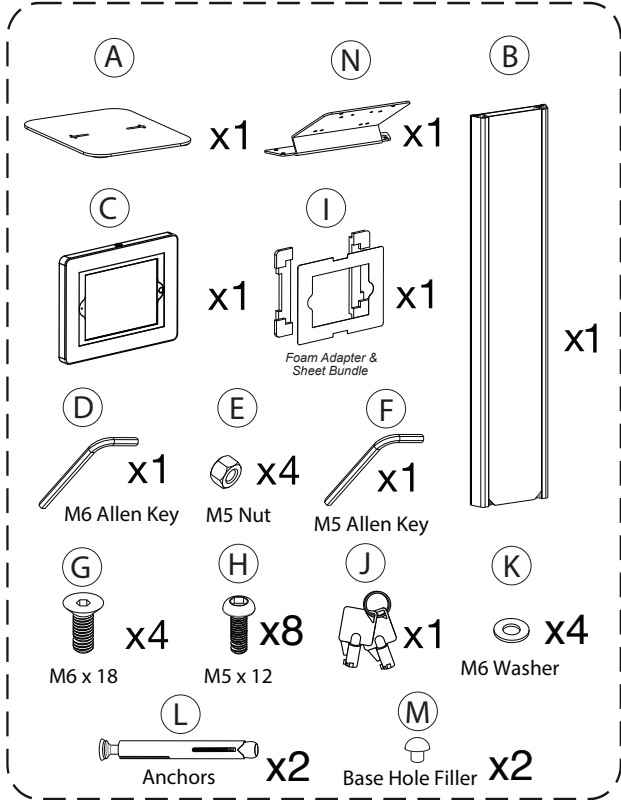


Customizable Premium Locking Floor Stand Kiosk with Graphic Card Slot for Branding

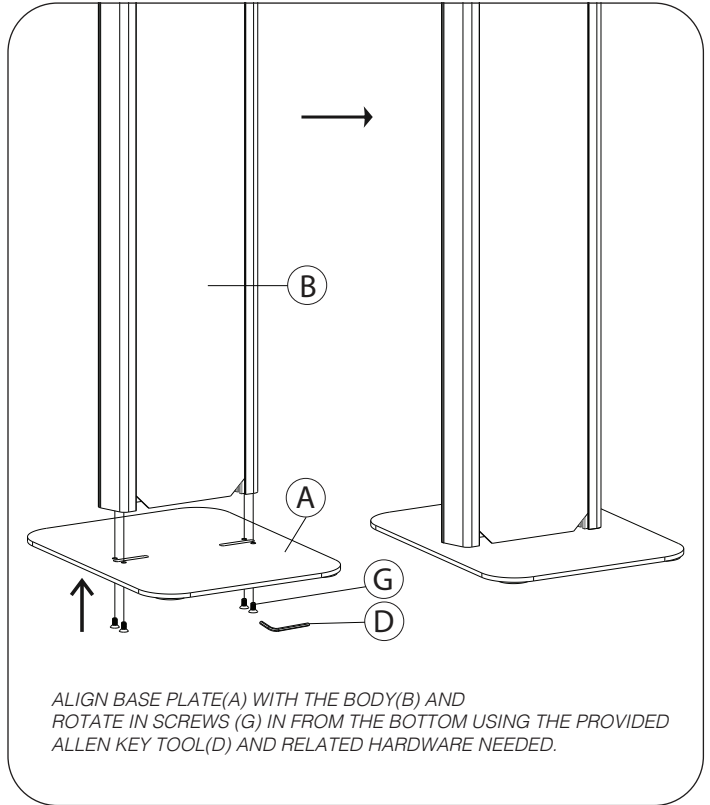
PAD-PARAF1/ PAD-PARAF1W

INSTRUCTION - MANUAL

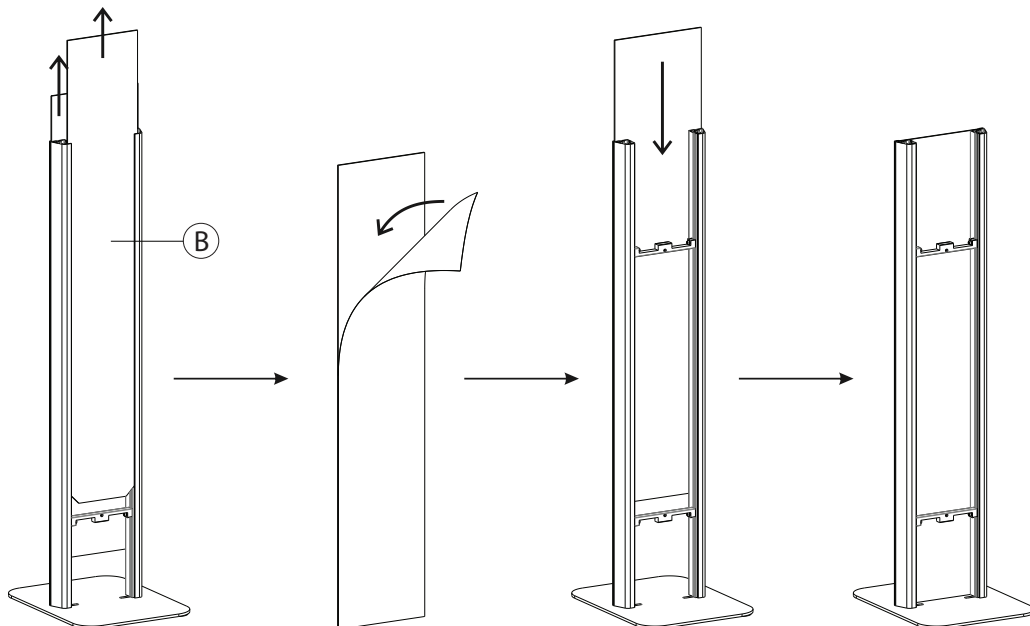
CONTENTS:



1. INSTALLING BASE:

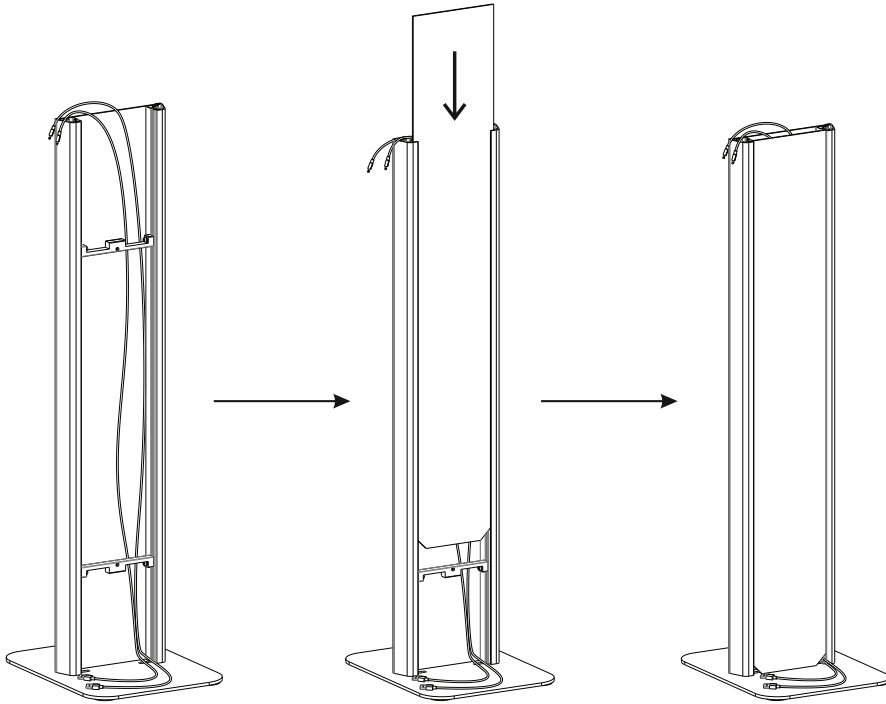


2. SETTING UP GRAPHIC CARD SLOT



SLIDE OUT THE (2) GRAPHIC CARD PANELS IN THE FRONT AND BACK OF THE BODY (B). IF THERE IS A STICKER FILM, REMOVE THAT FIRST. IF YOU HAVE PRINTED OUT A STICKER GRAPHIC, PLACE IT ONTO THE PANEL. IF YOU ARE USING A COMPLETE NEW PANEL, YOU CAN REPLACE THE INITIAL PANELS THAT CAME WITH THE FLOOR STAND. PLACE ONE PANEL BACK FIRST.

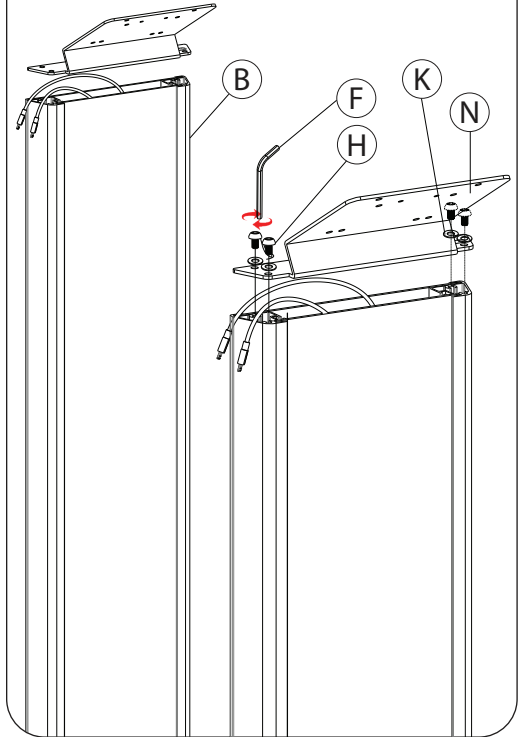
3. SETTING UP CABLE ROUTING



WITH ONLY (1) PANEL BACK IN, SLIDE IN THE POWER CORDS AND ANY OTHER CORDS THAT WOULD NEED TO BE CONNECTED TO THE TABLET THROUGH THE BODY AS SHOWN. THERE WILL BE GAPS AT THE TOP AND BOTTOM FOR THEM TO ROUTE OUT TO THE POWER SOURCE AND TO THE DEVICE. SLIDE IN SECOND PANEL WHEN ROUTING IS FINISHED.

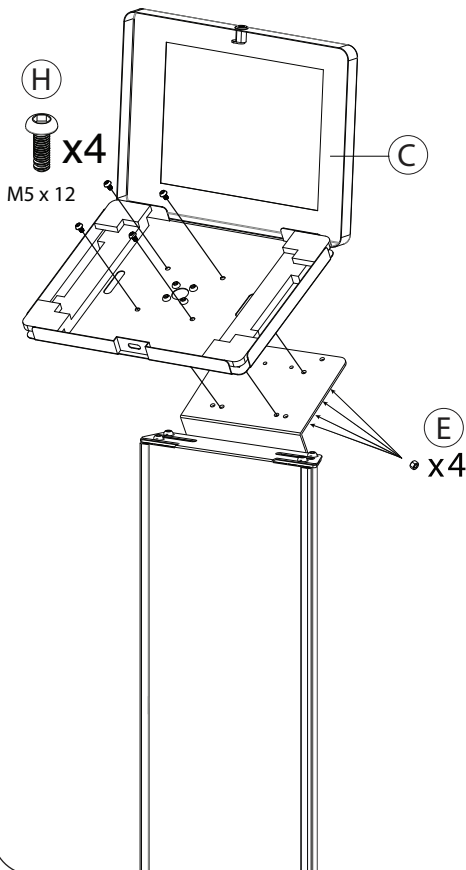
4. ATTACH VESA PLATE

ATTACH VESA PLATE AT TOP (N). ROUTE ANY WIRES THROUGH THE PLATE'S OPENINGS. ALIGN SCREWS (H) AND WASHERS (K) WITH SCREW HOLES AND ROTATE IN USING ALLEN KEY (F) UNTIL SECURELY TIGHTENED.

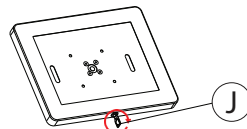


5. ATTACHING THE TABLET ENCLOSURE

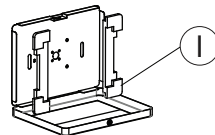
UNLOCK AND OPEN TABLET ENCLOSURE, ATTACH SCREWS AND HEX BOLTS AS SHOWN THROUGH THE BACK OF THE ENCLOSURE TO COMPLETE SETUP.



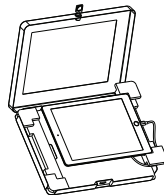
6. SETTING UP ENCLOSURE & TABLET



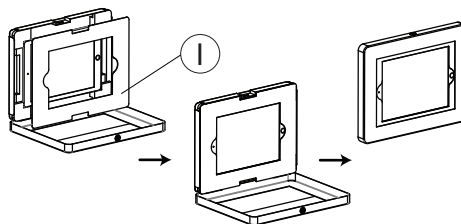
6A - UNLOCK THE TABLET ENCLOSURE (C) BY ROTATING THE KEY (J) UNTIL IT POPS OPEN



6B - FIND THE APPROPRIATE SIZE INCLUDED FOAM PADDING (I) FOR THE TABLET YOU WISH TO USE. MAKE SURE DEVICE IS COMPATIBLE FOR THE ENCLOSURE



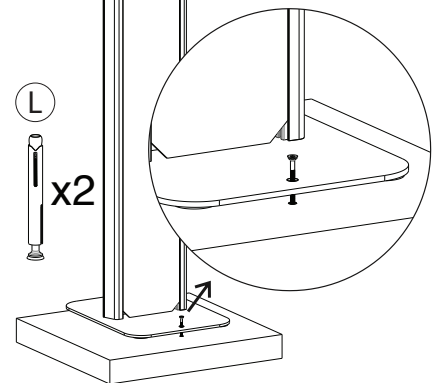
6C - LAY YOUR DEVICE IN AND CONNECT ANY CABLES OR CORDS YOU HAVE



6D - IF NEEDED, MAKE SURE TO LAY IN THE CORRECT MASKING COVER (I). THEN CLOSE AND LOCK THE ENCLOSURE AND YOU'RE READY TO GO.

(OPTIONAL) ANCHORING DOWN FLOOR STAND TO FLOOR

USE A POWER DRILL (NOT INCLUDED) TO CREATE A CAVITY IN THE FLOOR. INSERT THE BOTTOM PORTION OF THE ANCHOR (L). SCREW IN TOP PORTION (L) WITH SCREWDRIVER (NOT INCLUDED) UNTIL SECURELY TIGHTENED.



IF NOT ANCHORING FLOOR STAND INTO FLOOR, INSERT FILLERS (M) TO FILL IN HOLES FOR A SEAMLESS AESTHETIC ON THE BASE

